



US00D905804S

(12) **United States Design Patent** (10) **Patent No.:** **US D905,804 S**
Tang (45) **Date of Patent:** **** Dec. 22, 2020**

(54) HIP BOOTY BAND	5,860,896 A * 1/1999 Mann A61F 5/026 482/121
(71) Applicant: Yiwu Zhouyou Trade Co. Ltd., Zhoushan (CN)	D428,823 S * 8/2000 Davi D11/78.1 D441,652 S * 5/2001 Valentine, Jr. D9/434 6,625,818 B2 * 9/2003 Putnam A41D 20/00 2/181
(72) Inventor: Yinghong Tang, Zhoushan (CN)	6,701,532 B1 * 3/2004 Glassberg A41D 20/00 2/170
(73) Assignee: Yiwu Zhouyou Trade Co. Ltd., Zhejiang (CN)	D505,785 S * 6/2005 Woody D3/215 D519,716 S * 5/2006 Smith D2/875 D558,427 S * 1/2008 Solin D2/624 D578,742 S * 10/2008 Cho D2/894 D612,150 S * 3/2010 Overton D3/226 D616,509 S * 5/2010 Perez D21/692 D672,036 S * 12/2012 Simon D24/128
(**) Term: 15 Years	
(21) Appl. No.: 29/735,483	(Continued)

(22) Filed: **May 21, 2020**

(51) **LOC (12) Cl.** **21-02**

(52) **U.S. Cl.**
USPC **D21/692**

(58) **Field of Classification Search**
USPC D21/797, 698, 662, 683; 482/23, 48,
482/139, 44, 105; 2/161.1, 162, 170,
2/917, 16, 20; D8/330, 303; D20/22;
D29/113, 120.1, 791, 797, 190, 117.1;
473/205; D24/190
CPC A63B 21/4035; A63B 2225/09; A63B
21/0442; A63B 21/0557; A63B 21/00069;
A63B 21/0552; A63B 21/068; A63B
21/16; A63B 21/1663; A63B 21/4043;
A63B 21/00185; A63B 2023/006; A63B
21/0555; A63B 21/1645
See application file for complete search history.

(56) **References Cited**

U.S. PATENT DOCUMENTS

D316,774 S *	5/1991	Falk	D2/875
5,289,619 A *	3/1994	Pileggi	A44B 18/00 24/17 AP
5,614,300 A *	3/1997	Cicali	A63B 21/0004 428/193
D382,989 S *	9/1997	Simpson	D2/894

OTHER PUBLICATIONS

Black by PSFShop dated Sep. 11, 2020. Found online [Oct. 6, 2020]
<https://tinyurl.com/y2ww4sji> (Year: 2020).*

(Continued)

Primary Examiner — Ryan Harvey
(74) *Attorney, Agent, or Firm* — Muncy, Geissler, Olds & Lowe, P.O.

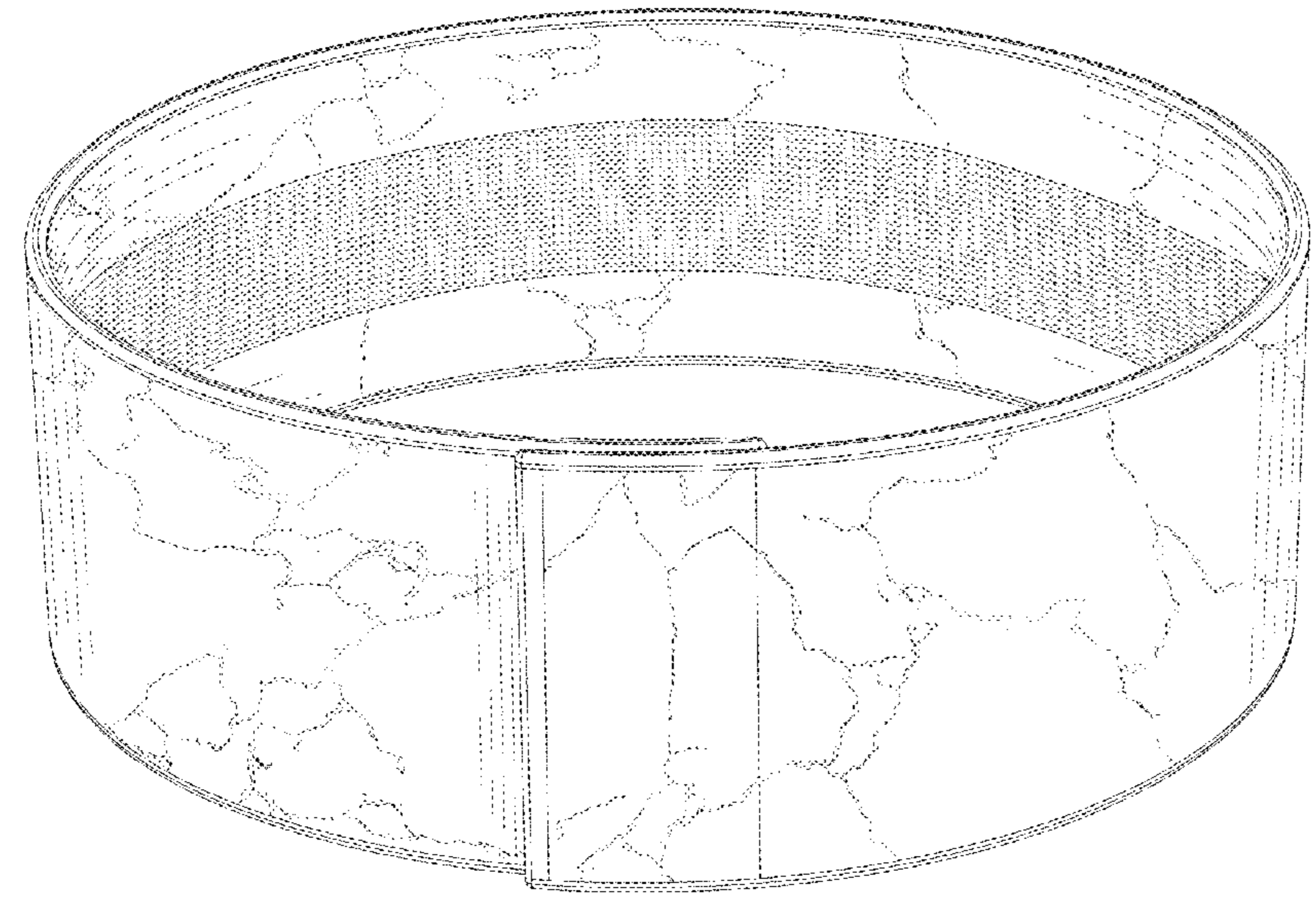
(57) **CLAIM**

The ornamental design for a hip booty band, as shown and described.

DESCRIPTION

FIG. 1 is a front elevational view of a hip booty band showing my new design;
FIG. 2 is a rear elevational view thereof;
FIG. 3 is a left sideview thereof;
FIG. 4 is a right sideview thereof;
FIG. 5 is a top plan view thereof;
FIG. 6 is a bottom plan view thereof;
FIG. 7 is a perspective view from front side thereof; and,
FIG. 8 is an expanded view.

1 Claim, 8 Drawing Sheets



(56)

References Cited

U.S. PATENT DOCUMENTS

8,458,864 B1 * 6/2013 Patton B65D 63/10
 24/306
 D689,652 S * 9/2013 Hines D28/41
 8,747,284 B2 * 6/2014 Ingram A63B 21/40
 482/50
 D731,345 S * 6/2015 Stewart D11/3
 D740,155 S * 10/2015 Vang D11/78.1
 D779,120 S * 2/2017 Cull D28/41
 D819,218 S * 5/2018 Inzer D24/189
 D828,467 S 9/2018 Karvandi
 10,188,188 B2 * 1/2019 Passarello A45D 8/36
 D843,523 S * 3/2019 Young D21/692
 D852,908 S * 7/2019 Dennisur D21/692
 D863,470 S * 10/2019 Zhong D21/692
 D884,540 S * 5/2020 Tse D11/6
 D888,368 S * 6/2020 Hyera D2/627
 2004/0067827 A1 * 4/2004 Tustin A63B 21/0004
 482/121
 2005/0239604 A1 * 10/2005 Denham A63B 21/4037
 482/23
 2007/0022929 A1 * 2/2007 Wang A41D 20/00
 112/1

2007/0105696 A1 * 5/2007 Castel A63B 21/00043
 482/121
 2008/0009398 A1 * 1/2008 Grisdale A63B 21/0552
 482/124
 2008/0120755 A1 * 5/2008 Ingram A63B 21/4001
 2/20
 2013/0025030 A1 * 1/2013 Verbakel A41F 11/16
 2/311
 2013/0172156 A1 * 7/2013 Inzer A63B 21/0724
 482/93
 2018/0318630 A1 * 11/2018 Young A63B 21/00058
 2018/0350275 A1 * 12/2018 Milbrandt G09F 3/04
 2020/0248344 A1 * 8/2020 Chiang D03D 1/00

OTHER PUBLICATIONS

Booty by fineticbrand dated Mar. 5, 2020. Found online [Oct. 6, 2020] <https://fitneticbrand.com/products/booty-band-workout-set?variant=31329794981991#shopify-product-reviews> (Year: 2020).
 Marble design by alzeqri dated no date given. Found online [Oct. 6, 2020] https://www.alibaba.com/product-detail/Marble-Design-Booty-Resistance-Bands-Glute_62021951020.html.
 Gym Mode by GymMode dated Dec. 19, 2018. Found online [Oct. 6, 2020] <https://tinyurl.com/y5nkye54> (Year: 2018).

* cited by examiner

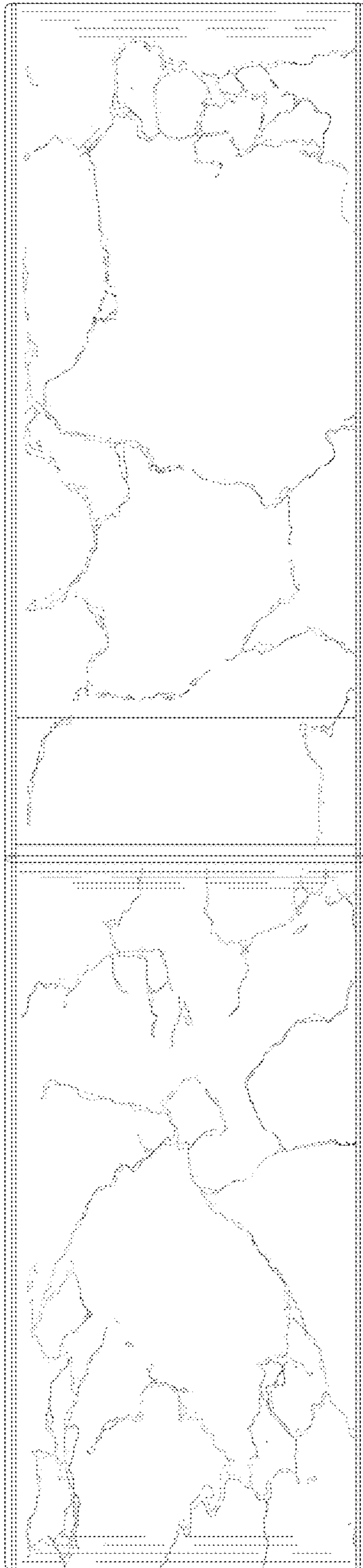


Fig. 1

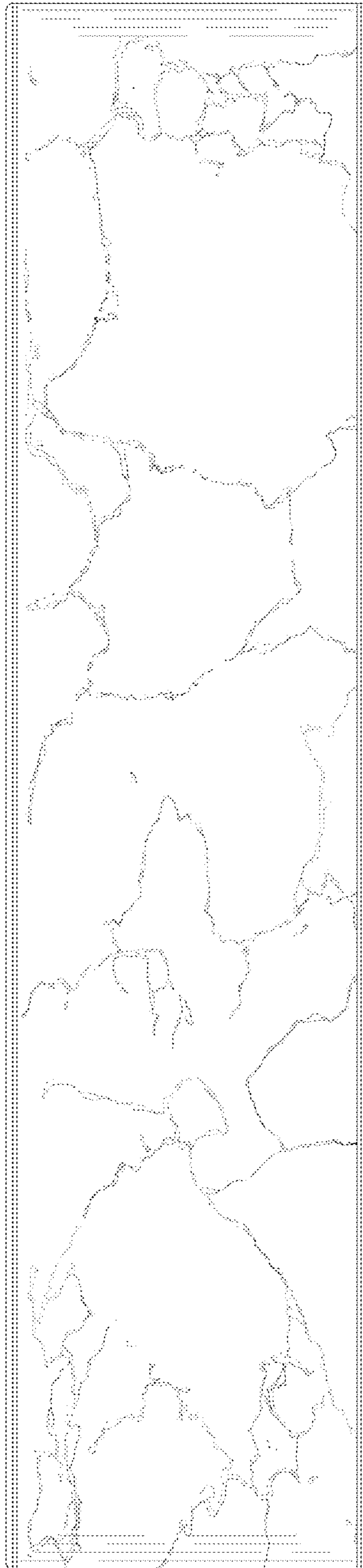


Fig. 2

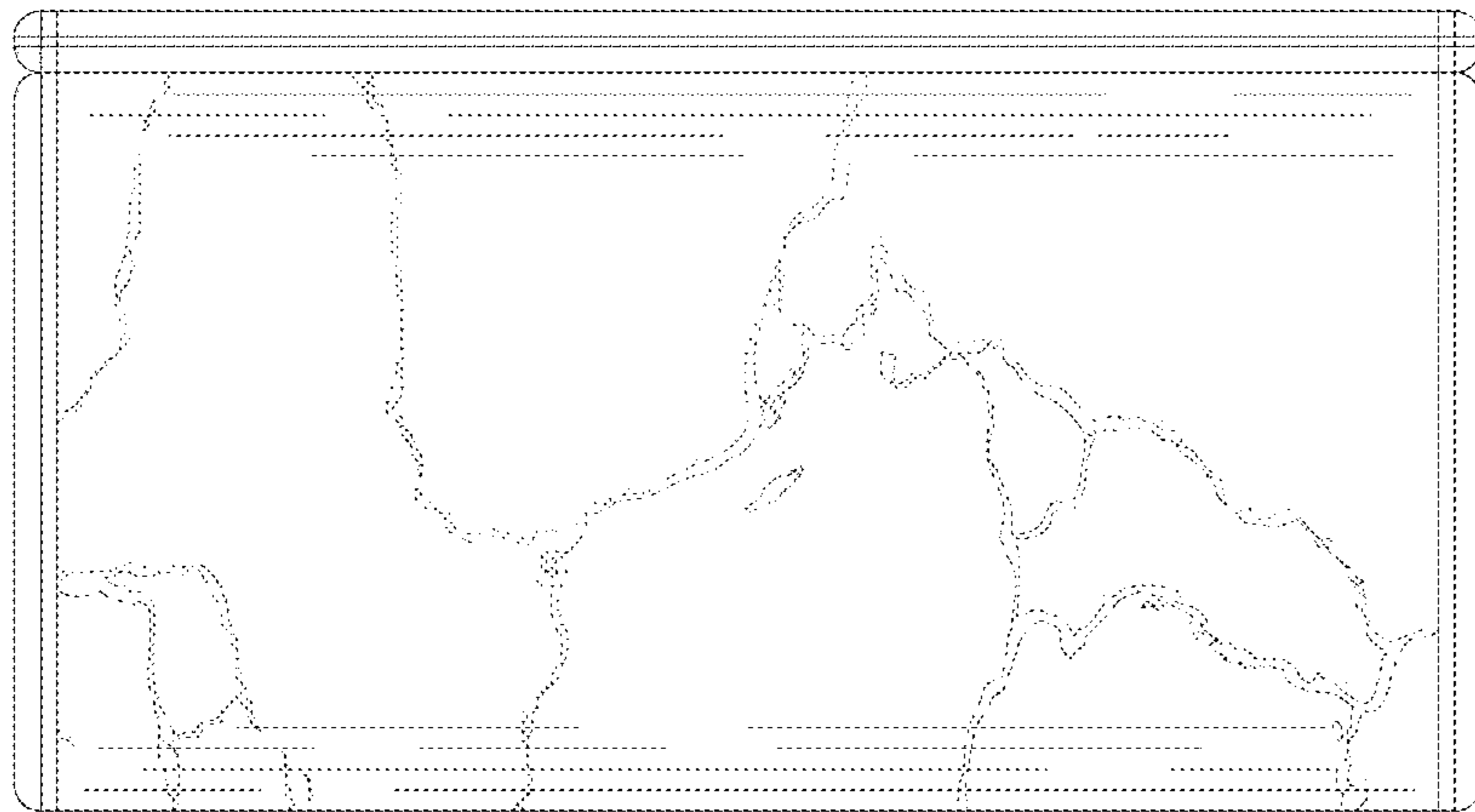


Fig. 3

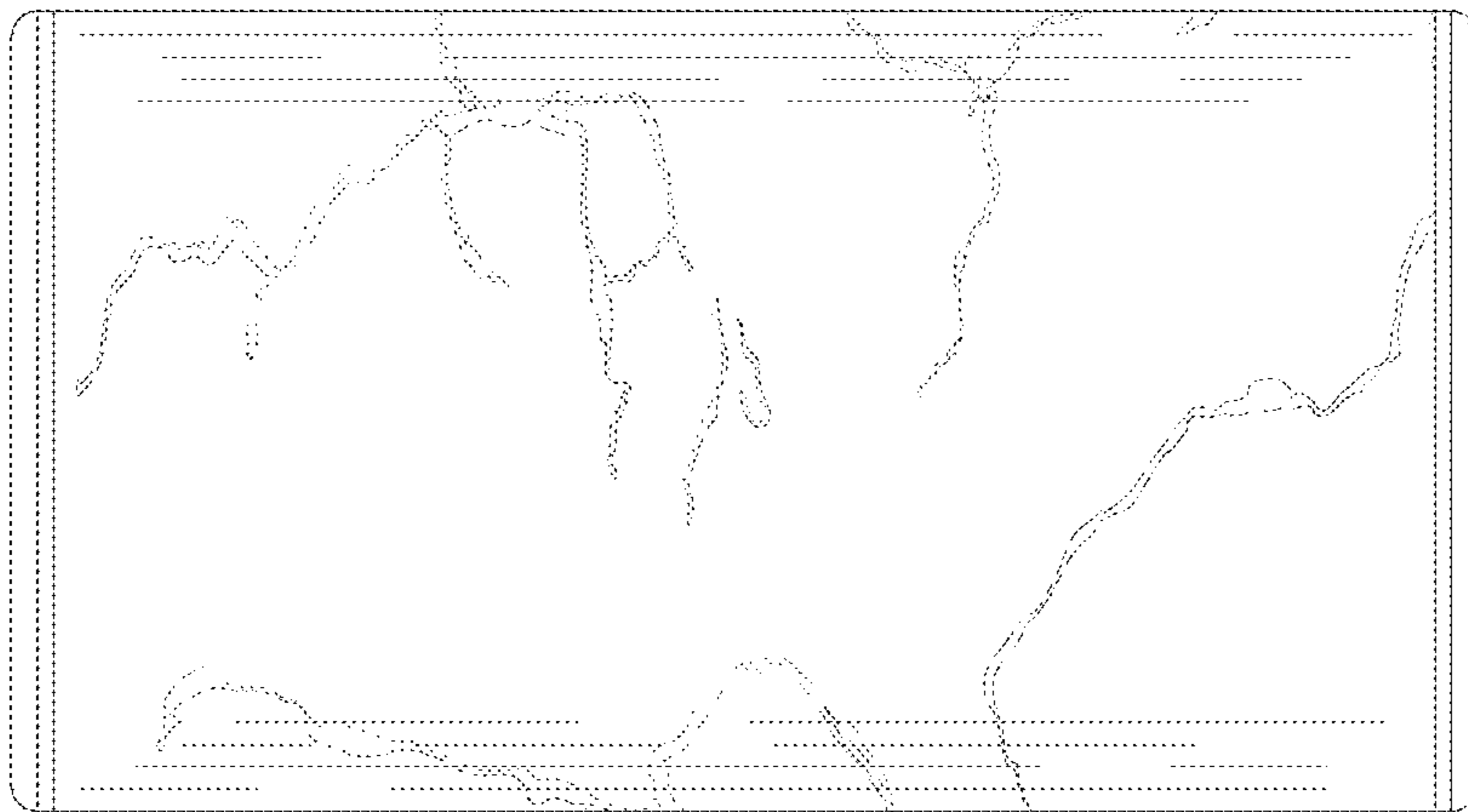


Fig. 4

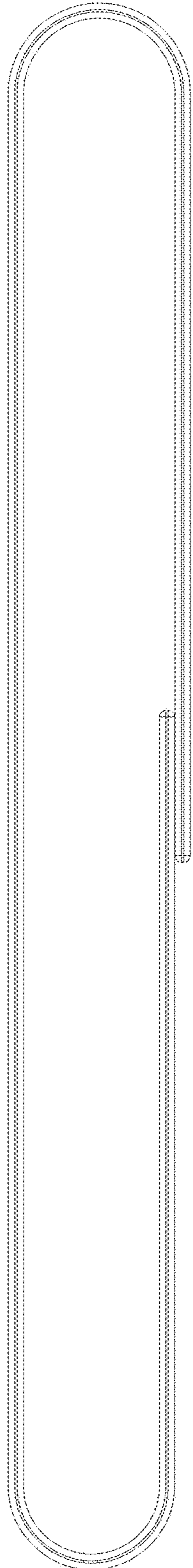


Fig. 5

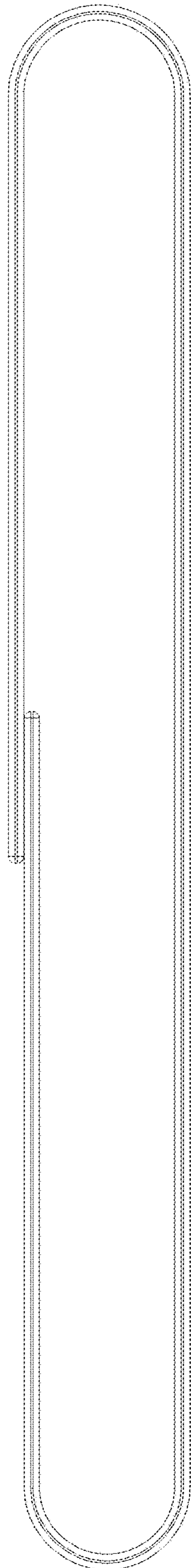


Fig. 6

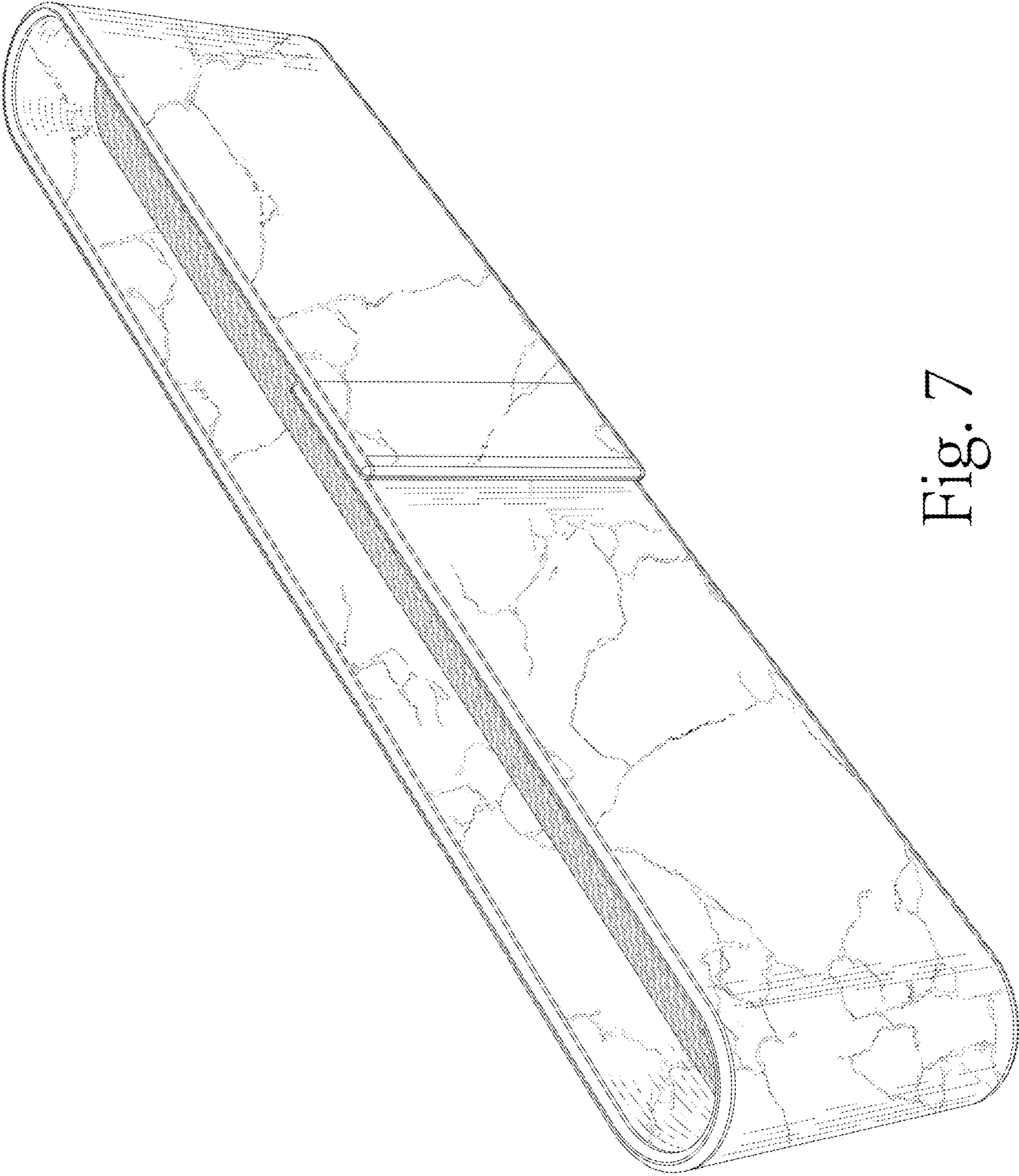


Fig. 7

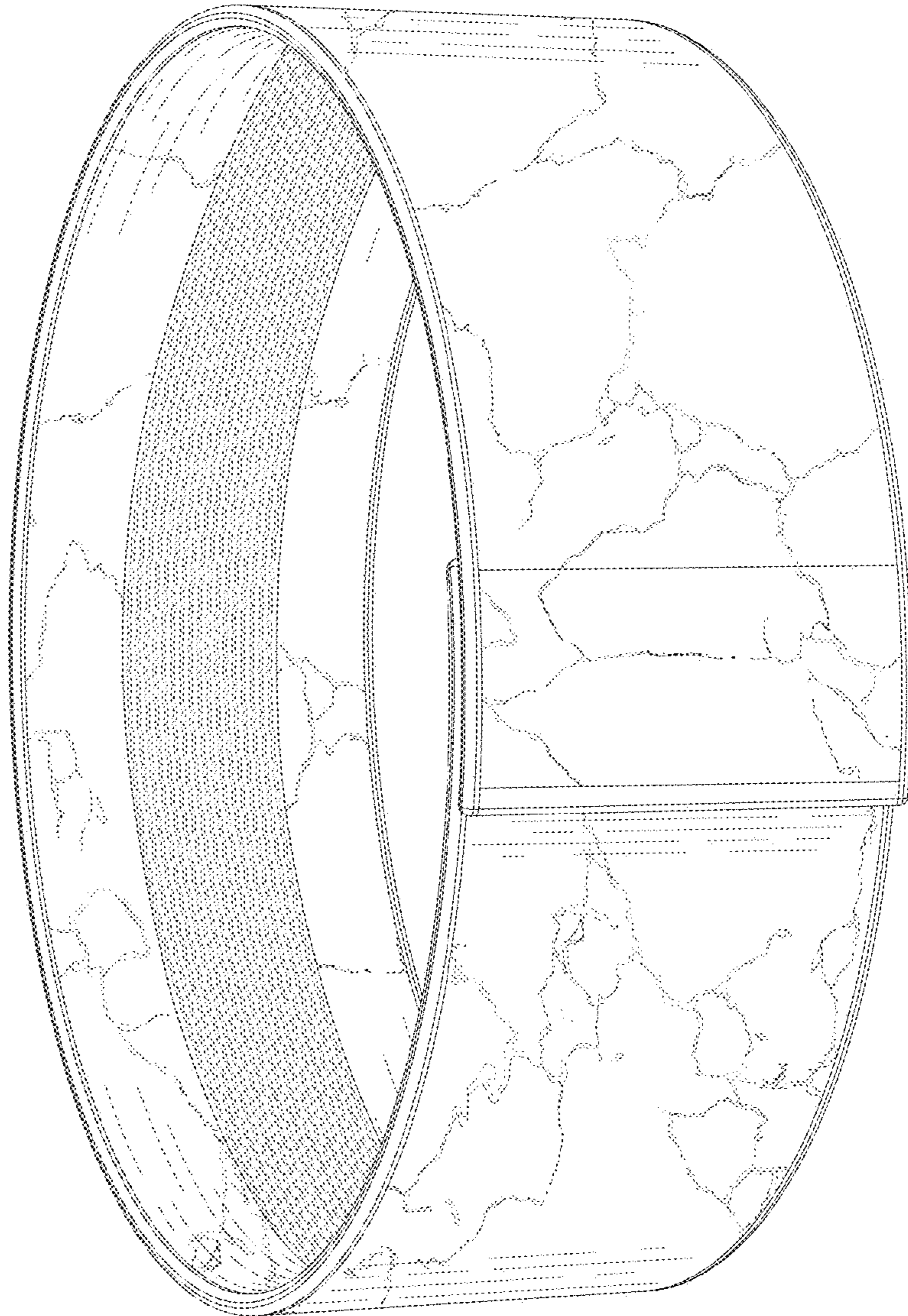


Fig. 8