



US00D905797S

(12) **United States Design Patent** (10) **Patent No.:** **US D905,797 S**
Justin (45) **Date of Patent:** **** Dec. 22, 2020**

(54) **CARDBOARD CONSTRUCTION TOOL HANDLE**

(71) Applicant: **Paul Justin**, Abbotsford (AU)

(72) Inventor: **Paul Justin**, Abbotsford (AU)

(**) Term: **15 Years**

(21) Appl. No.: **29/695,917**

(22) Filed: **Jun. 24, 2019**

(51) **LOC (12) Cl.** **21-01**

(52) **U.S. Cl.**
USPC **D21/532**; D8/107; D8/14

(58) **Field of Classification Search**
USPC D21/532; D8/14, 21, 45, 98, 105, 107,
D8/300, 303; D32/46, 49
CPC A63H 33/04; A63H 33/107; B25G 1/10;
B25G 1/102; B25G 1/105
See application file for complete search history.

(56) **References Cited**

U.S. PATENT DOCUMENTS

D248,535 S *	7/1978	Sjostrom	D8/14
5,498,188 A *	3/1996	Deahr	A63H 33/107
				446/75
D383,884 S *	9/1997	O'Shei	D3/208
D401,630 S *	11/1998	Pilon	D21/369
D845,739 S *	4/2019	Niccolai	D8/107
2010/0273388 A1 *	10/2010	Carlson	A63H 33/04
				446/4

OTHER PUBLICATIONS

Jumpoff Joe Construction Kit, Found on Amazon.com. reviews from Nov. 2019.*
Madedo Cardboard Construction kit. Found on Amazon.com. reviews from 2020.*

* cited by examiner

Primary Examiner — Philip S Hyder
(74) *Attorney, Agent, or Firm* — Legends Law Group, PLLC; Stephen H. Bean, Esq.

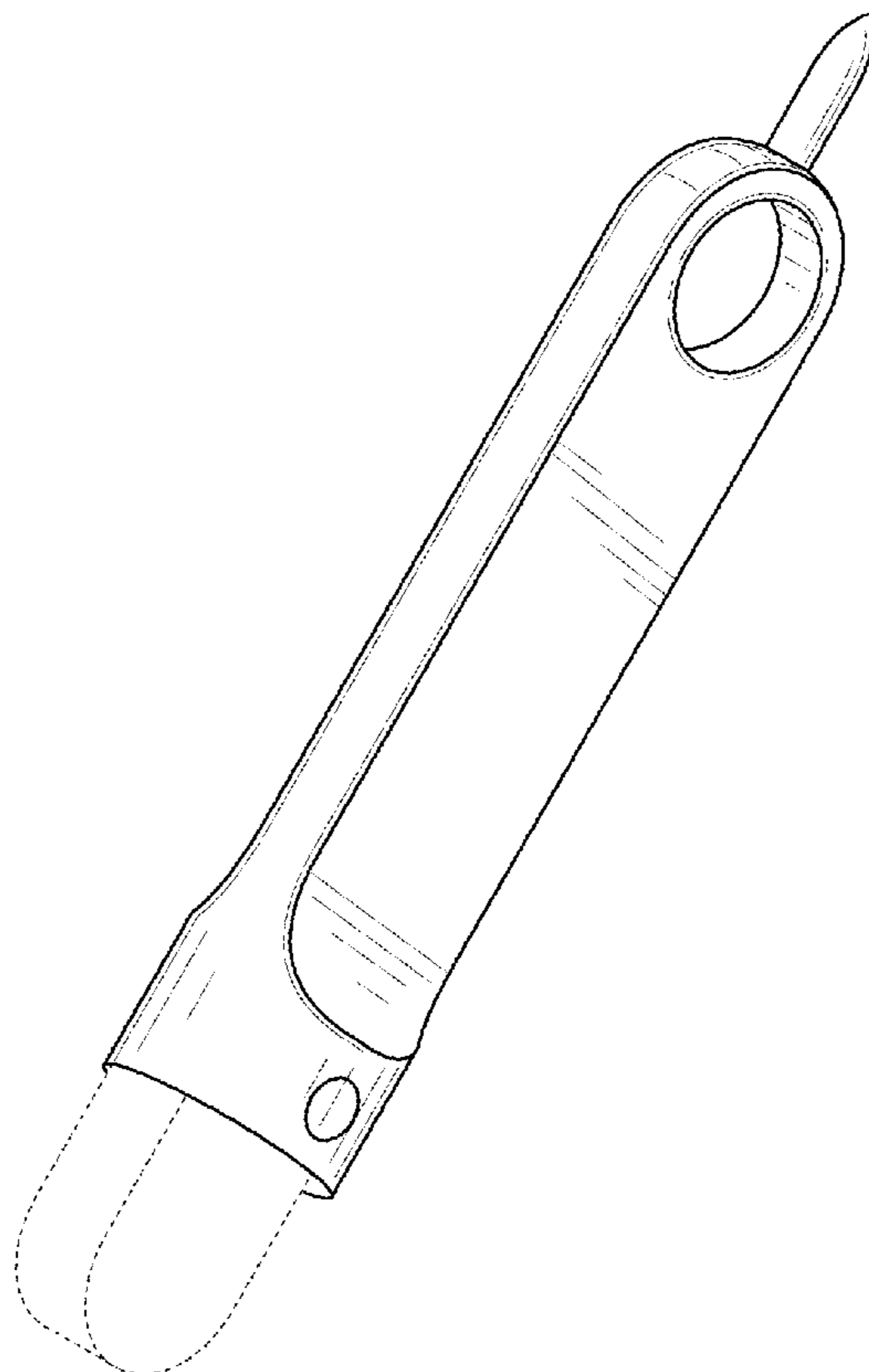
(57) **CLAIM**

I claim the ornamental design for the cardboard construction tool handle, as shown and described.

DESCRIPTION

FIG. 1 is a front perspective view of a cardboard construction tool handle showing my new design;
FIG. 2 is a front view thereof (the rear view is a mirror image);
FIG. 3 is a right side view thereof (the left side view is a mirror image);
FIG. 4 is a top view thereof; and,
FIG. 5 is a bottom view thereof.
The broken lines depict portions of the cardboard construction tool handle in which the design is embodied that are not considered part of the claimed design.

1 Claim, 2 Drawing Sheets



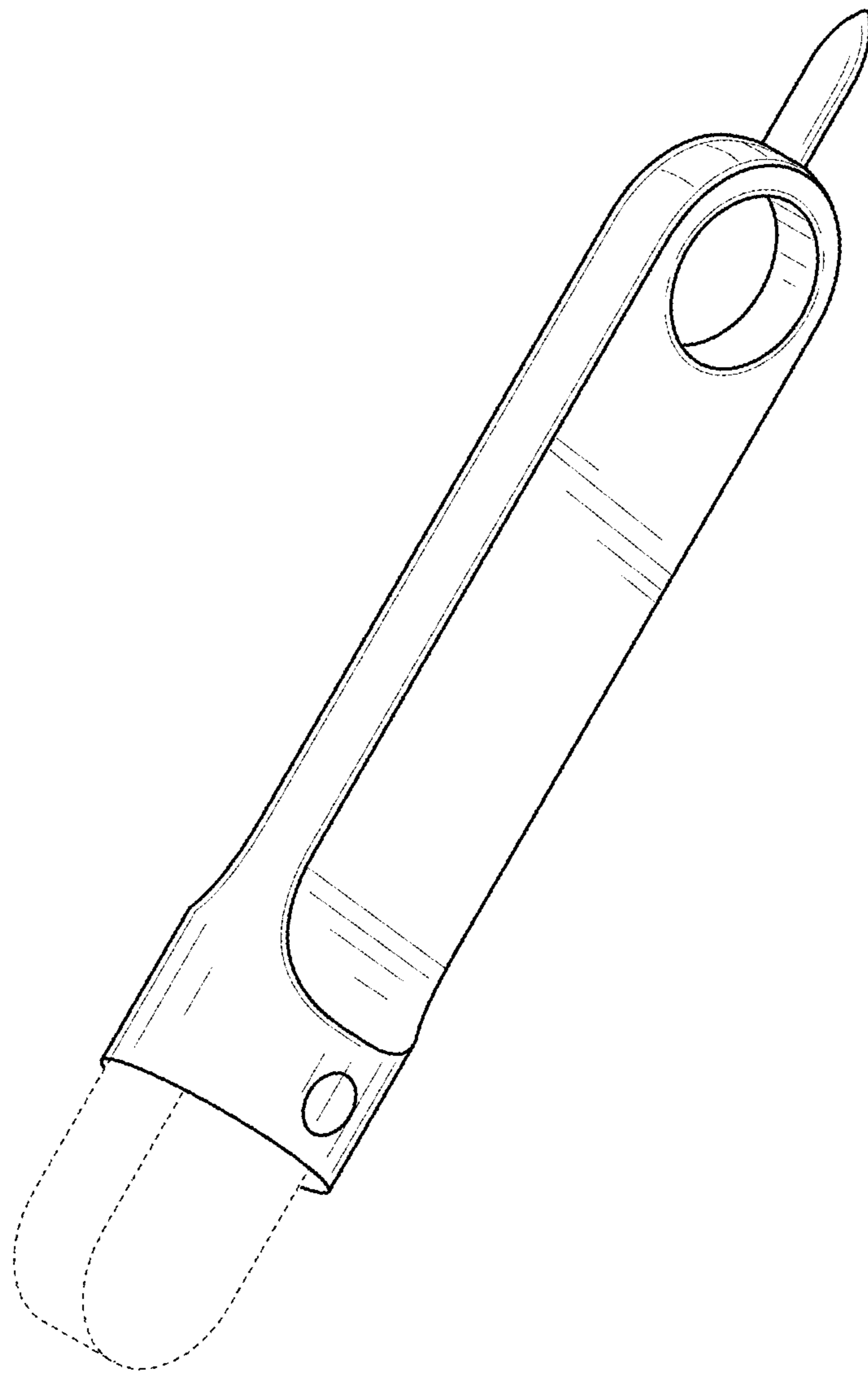


FIG. 1

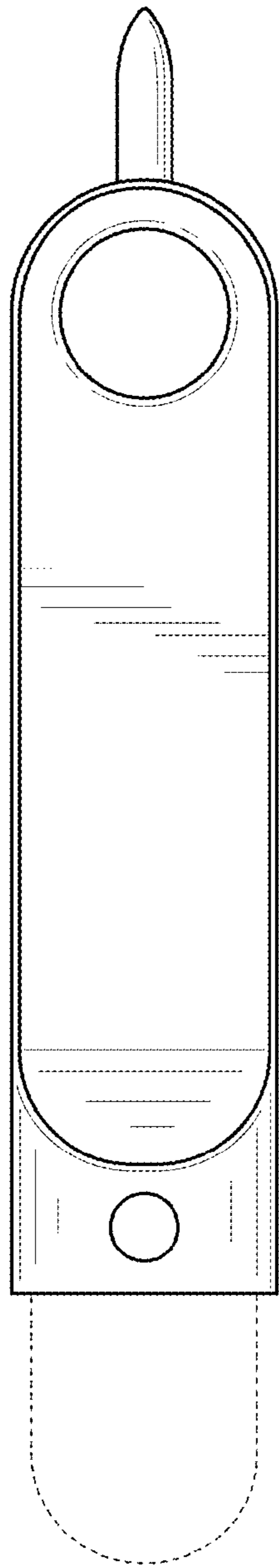


FIG. 2

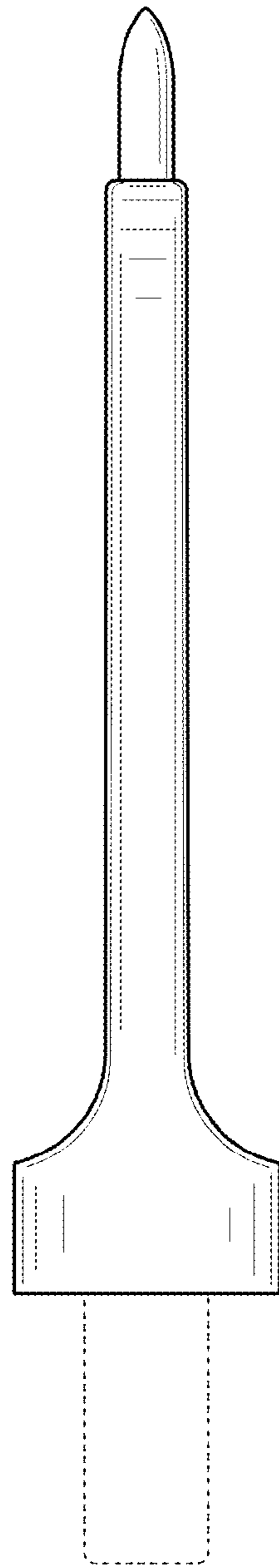


FIG. 3

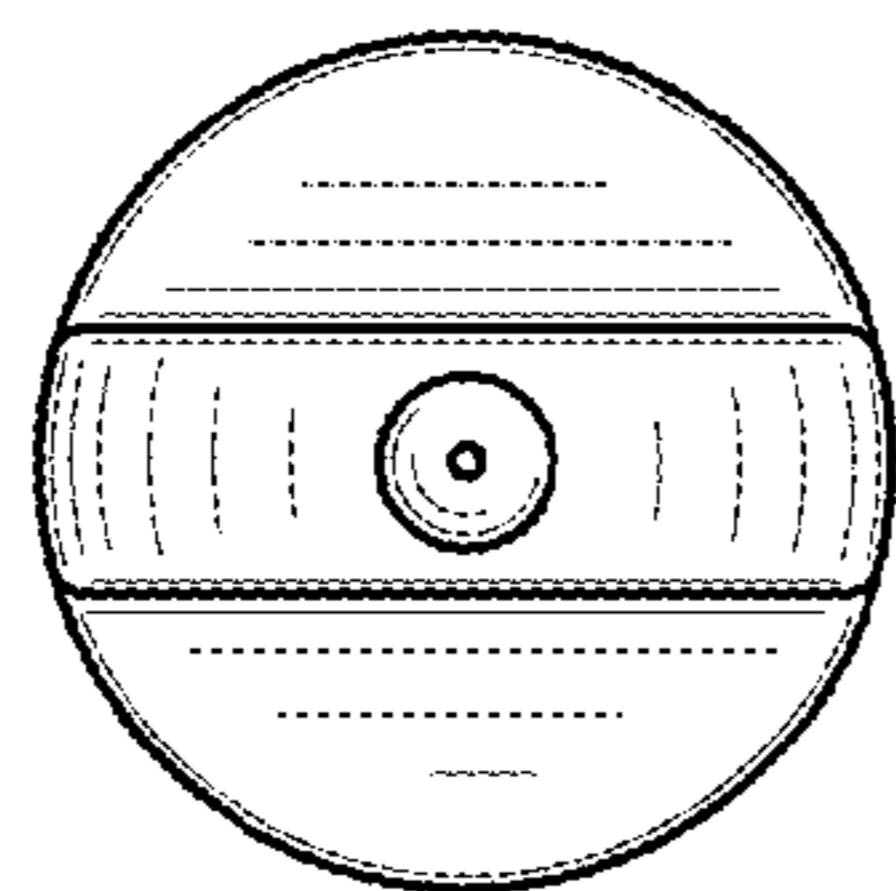


FIG. 4

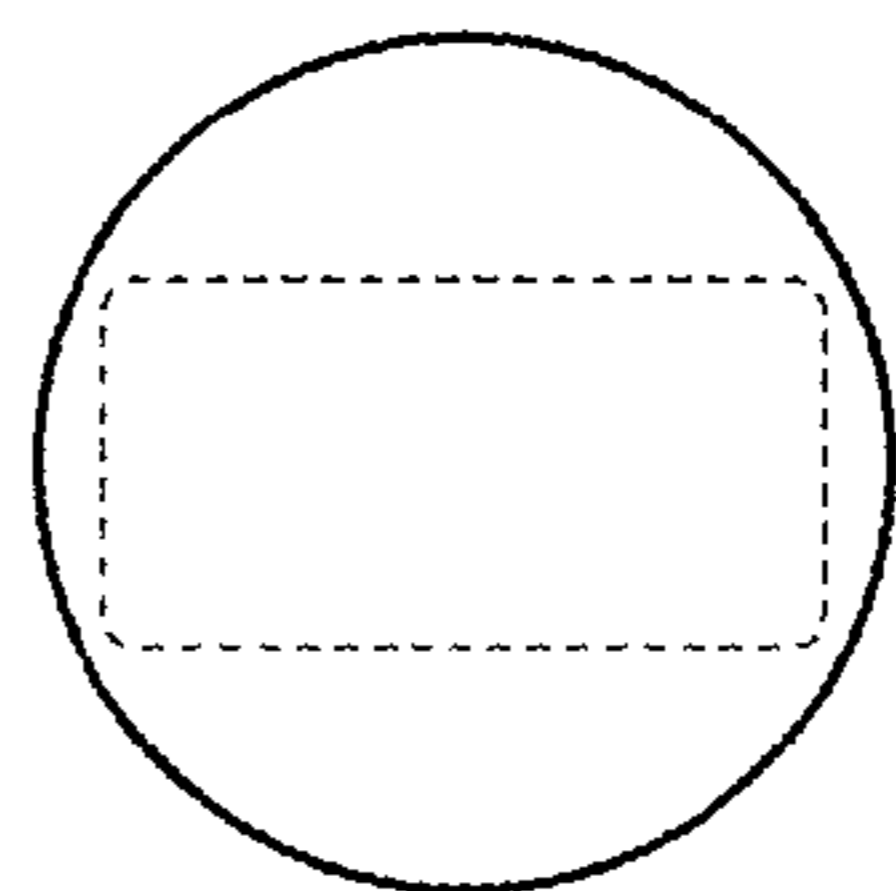


FIG. 5