



US00D905796S

(12) **United States Design Patent** (10) **Patent No.:** **US D905,796 S**  
**Semling** (45) **Date of Patent:** **\*\* Dec. 22, 2020**

- (54) **PLAY BLOCK**
- (71) Applicant: **Brian's Toys Inc.**, Fountain City, WI (US)
- (72) Inventor: **Brian Semling**, Fountain City, WI (US)
- (\*\*) Term: **15 Years**
- (21) Appl. No.: **29/730,267**
- (22) Filed: **Apr. 2, 2020**

D566,201 S	4/2008	Glickman	
D758,501 S *	6/2016	Sorensen	D21/495
D806,180 S *	12/2017	Simonds	D21/499
D806,804 S *	1/2018	Simonds	D21/499
D832,935 S *	11/2018	Wakim	D21/499
D832,936 S *	11/2018	Semling	D21/499
D833,543 S *	11/2018	Semling	D21/499
D833,544 S *	11/2018	Semling	D21/499
D833,545 S *	11/2018	Semling	D21/499
D835,211 S *	12/2018	Semling	D21/499
D835,212 S *	12/2018	Semling	D21/499
D835,729 S *	12/2018	Semling	D21/499
D852,896 S *	7/2019	Semling	D21/499
10,646,791 B2 *	5/2020	Semling	A63H 33/088
2013/0312357 A1	11/2013	Lin	

**Related U.S. Application Data**

- (63) Continuation-in-part of application No. 15/987,043, filed on May 23, 2018, now Pat. No. 10,646,791.
- (51) **LOC (12) Cl.** ..... **21-01**
- (52) **U.S. Cl.**  
USPC ..... **D21/499**; D21/488
- (58) **Field of Classification Search**  
USPC ..... D21/333, 373, 386, 389, 404, 468, 470, D21/471, 475, 484-505; D24/101  
CPC ..... A63H 33/04; A63H 33/06; A63H 33/062; A63H 33/08; A63H 33/088; A63F 9/12; A63F 9/1224  
See application file for complete search history.

\* cited by examiner

*Primary Examiner* — Cynthia M. Chin

(57) **CLAIM**

The ornamental design for a play block, as shown and described.

**DESCRIPTION**

FIG. 1 is a top front side perspective view of a play block showing my new design;  
 FIG. 2 is a top rear side perspective view of the play block;  
 FIG. 3 is a front view of the play block; and,  
 FIG. 4 is a top view of the play block.

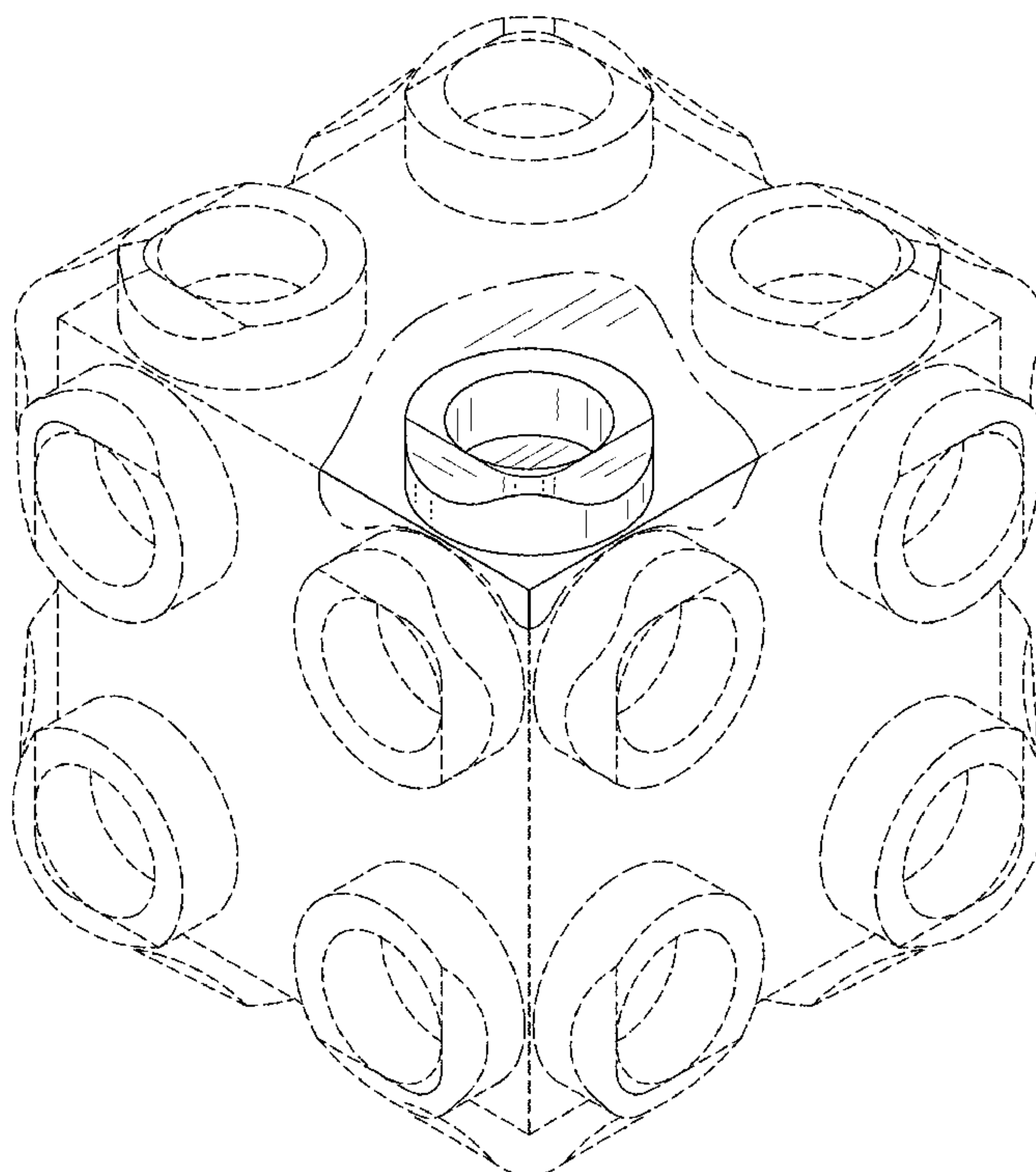
The intermittent broken lines immediately adjacent the shaded areas represent the bounds of the claim and all other broken lines represent portions of the block that form no part of the claim. None of the broken lines form a part of the claimed design.

**1 Claim, 4 Drawing Sheets**

(56) **References Cited**

**U.S. PATENT DOCUMENTS**

5,924,906 A *	7/1999	Grafton	A63H 33/10 411/339
D413,636 S *	9/1999	Laserna Fernandez	D21/499
D422,036 S *	3/2000	Laserna Fernandez	D21/499
6,506,091 B1	1/2003	Garpow	



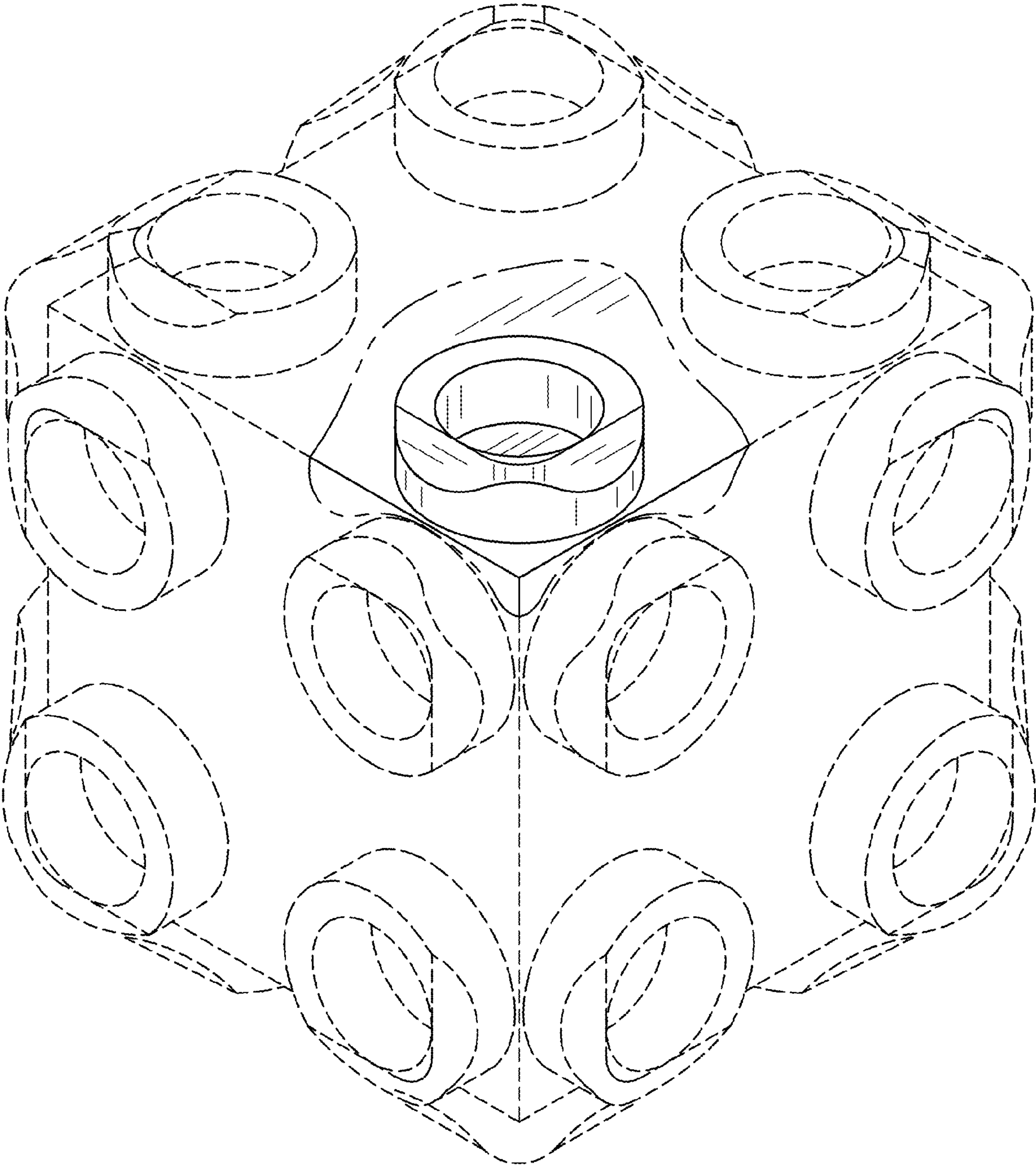


FIG. 1

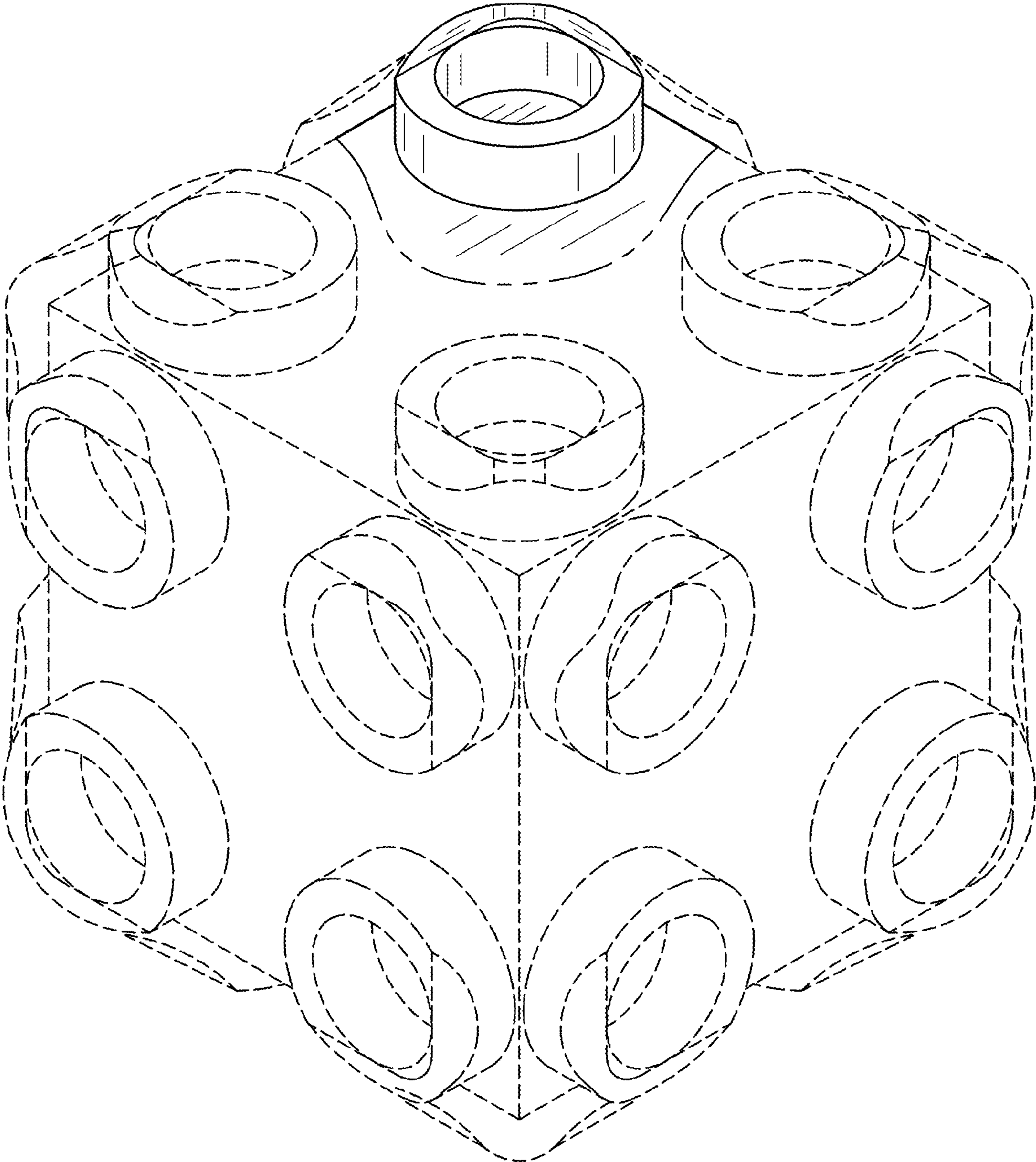


FIG. 2



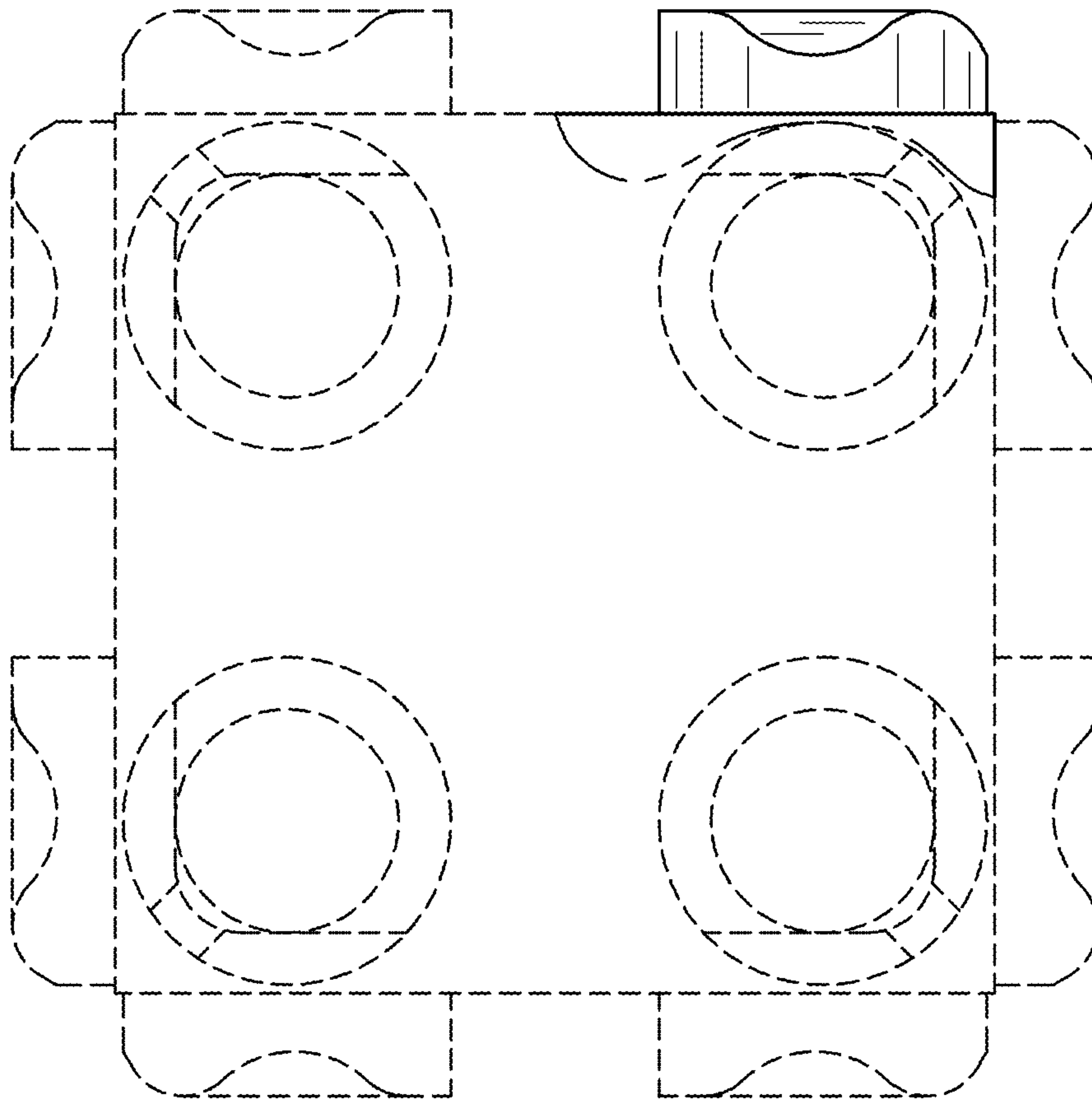


FIG. 3

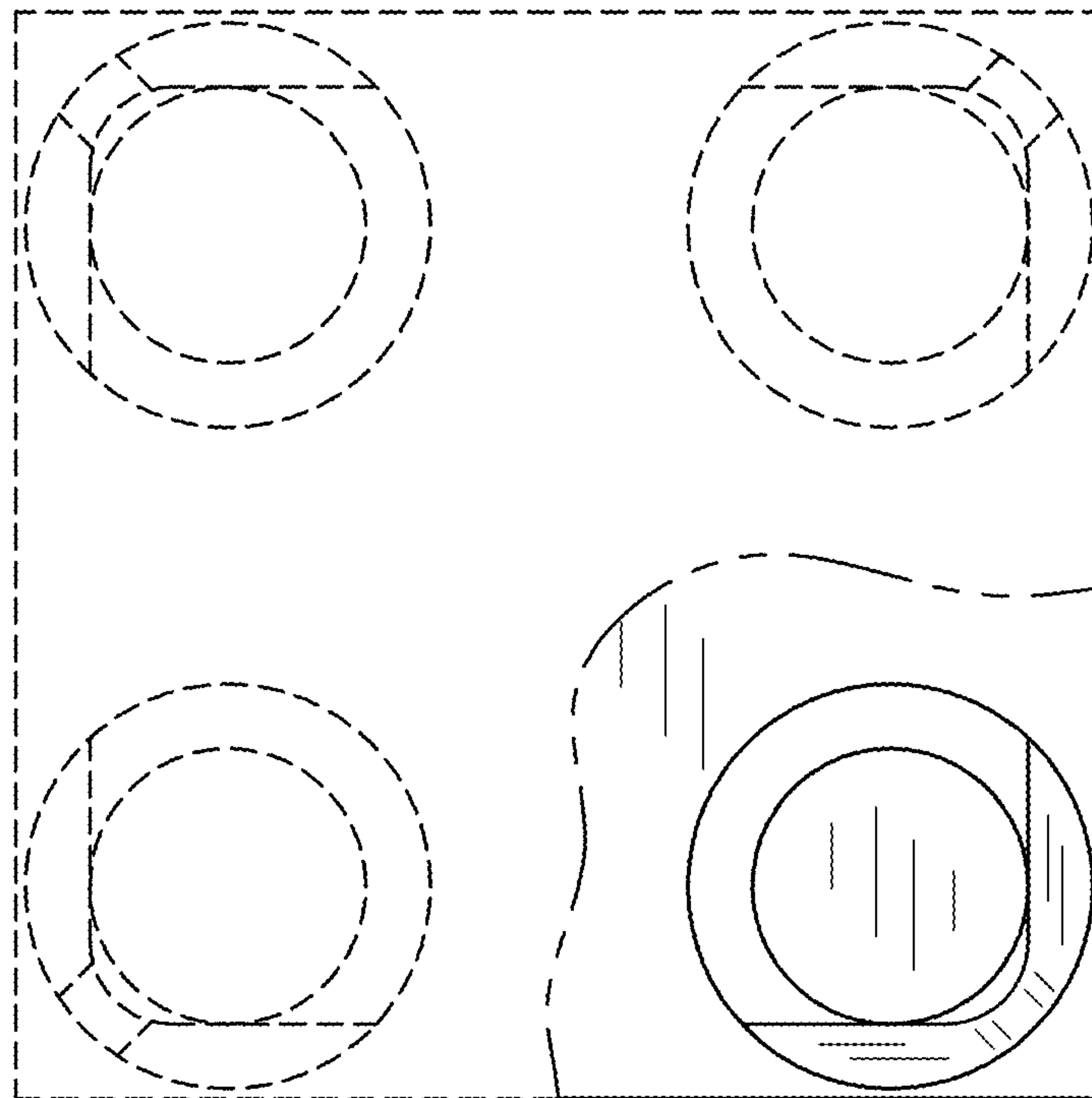


FIG. 4