



US00D905795S

(12) **United States Design Patent**  
**McCollum**

(10) **Patent No.:** **US D905,795 S**

(45) **Date of Patent:** **\*\* Dec. 22, 2020**

(54) **COLLAPSIBLE WAGON**

(71) Applicant: **John McCollum**, Charleston, SC (US)

(72) Inventor: **John McCollum**, Charleston, SC (US)

(\*\*) Term: **15 Years**

(21) Appl. No.: **29/701,676**

(22) Filed: **Aug. 13, 2019**

(51) **LOC (12) Cl.** ..... **21-01**

(52) **U.S. Cl.**  
USPC ..... **D21/425**

(58) **Field of Classification Search**  
USPC ..... D21/425, 534, 536; D12/105, 106, 133;  
D34/12, 27  
CPC .. B62B 3/00; B62B 3/02; B62B 3/002; B62B  
3/003; B62B 3/007; B62B 3/14; B62B  
5/08; B62B 5/082; B62B 5/085; B62B  
5/087

See application file for complete search history.

(56) **References Cited**

**U.S. PATENT DOCUMENTS**

9,145,154	B1 *	9/2015	Horowitz	.....	B62B 3/025
D748,739	S *	2/2016	Horowitz	.....	D21/425
9,580,095	B2 *	2/2017	Vargas, II	.....	B62B 3/007
10,040,470	B1 *	8/2018	Horowitz	.....	B62B 5/0013
D827,722	S *	9/2018	Sun	.....	D21/425
10,099,711	B1 *	10/2018	Sun	.....	B62B 3/025
10,099,712	B1 *	10/2018	Sun	.....	B62B 3/025

10,272,937	B2 *	4/2019	Chen	.....	B62B 5/0003
10,399,586	B1 *	9/2019	Huang	.....	B62B 3/003
D879,204	S *	3/2020	Zhu	.....	D21/425
D894,290	S *	8/2020	Liu	.....	D21/425
2010/0090444	A1 *	4/2010	Chen	.....	B62B 3/007 280/651
2014/0001735	A1 *	1/2014	Yang	.....	B62B 3/02 280/651
2015/0145224	A1 *	5/2015	Zhu	.....	B62B 3/007 280/42
2020/0283046	A1 *	9/2020	Wu	.....	B62B 3/02

\* cited by examiner

*Primary Examiner* — Cynthia M. Chin

(74) *Attorney, Agent, or Firm* — Gregory Finch; Finch Paolino, LLC

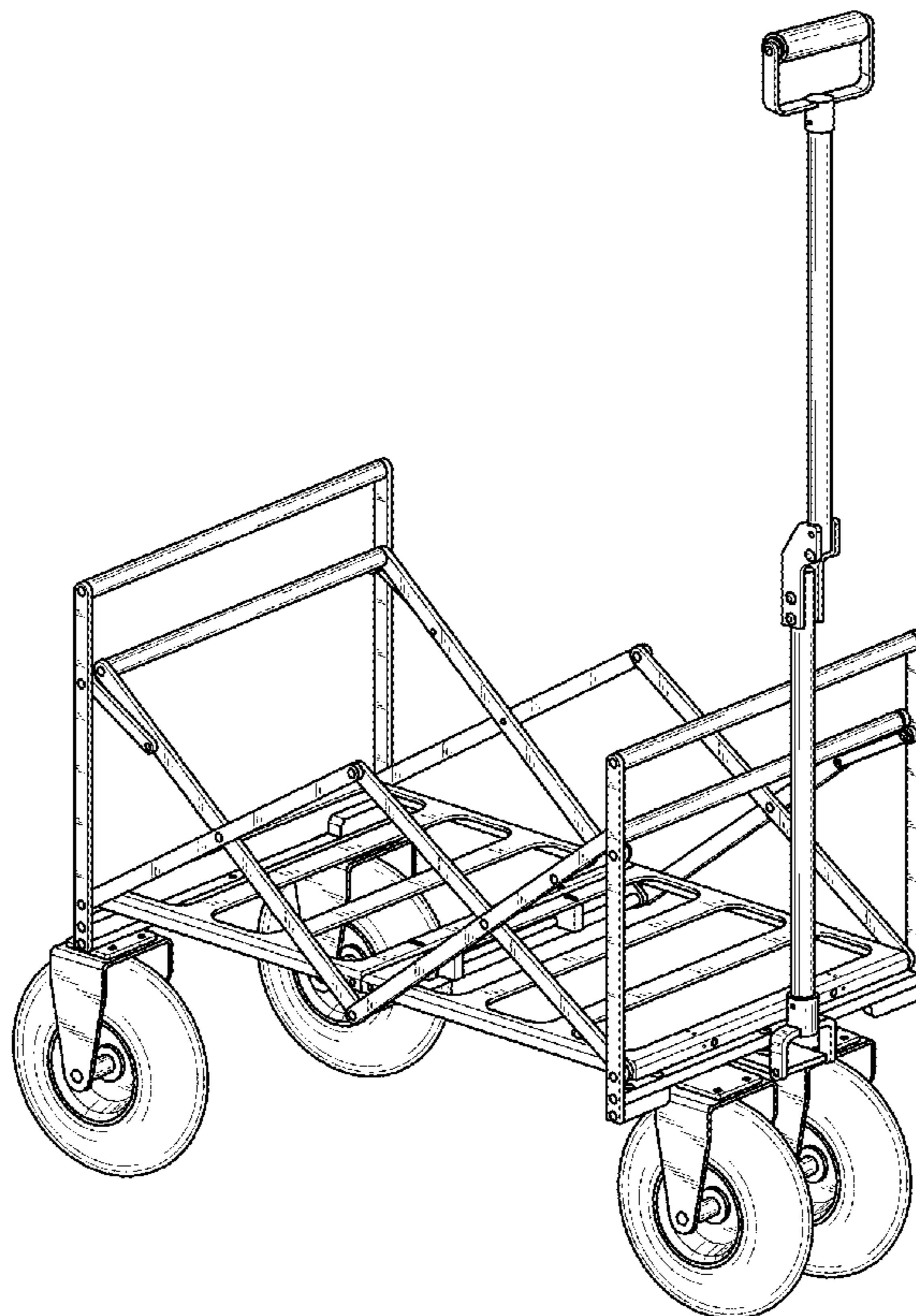
(57) **CLAIM**

The ornamental design for a collapsible wagon, as shown and described.

**DESCRIPTION**

FIG. 1 is an isometric view of the collapsible wagon in an extended configuration, embodying the present design; FIG. 2 is a right side view thereof; FIG. 3 is a left side view thereof; FIG. 4 is a front side view thereof; FIG. 5 is a rear side view thereof; FIG. 6 is a top down plan view thereof; FIG. 7 is a bottom up plan view thereof; and, FIG. 8 is an isometric view of the collapsible wagon in a collapsed configuration.

**1 Claim, 8 Drawing Sheets**



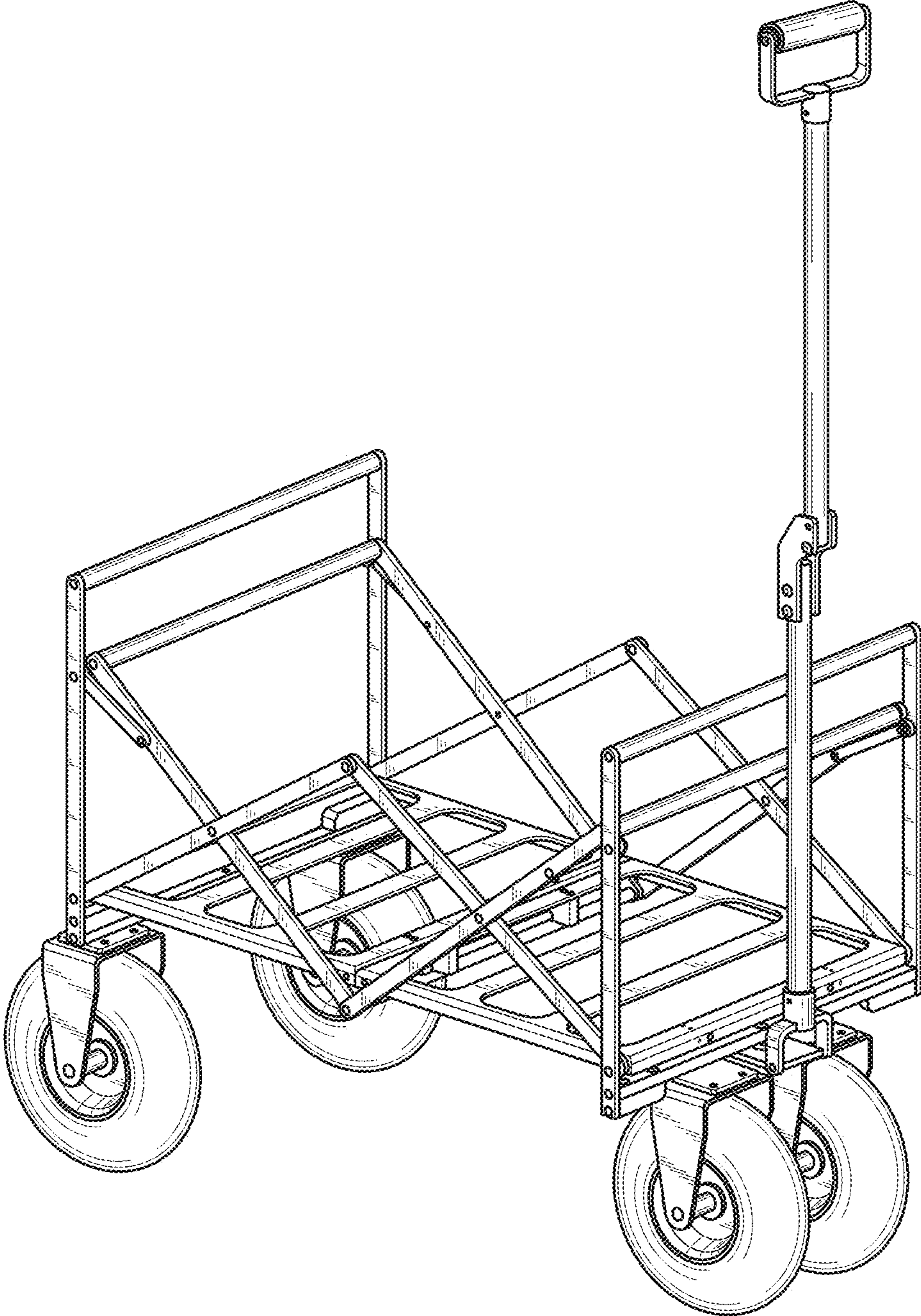


Fig. 1

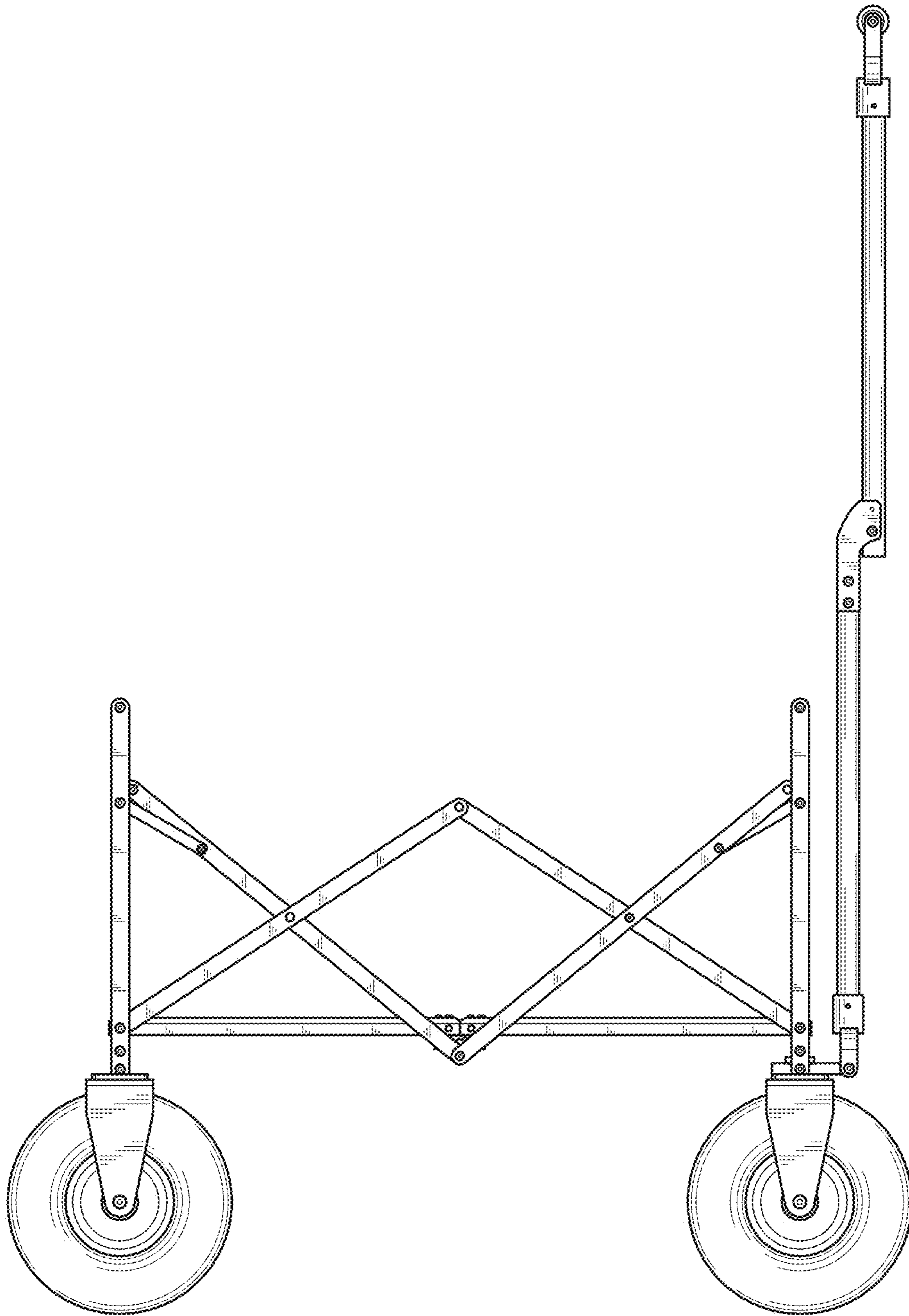


Fig. 2

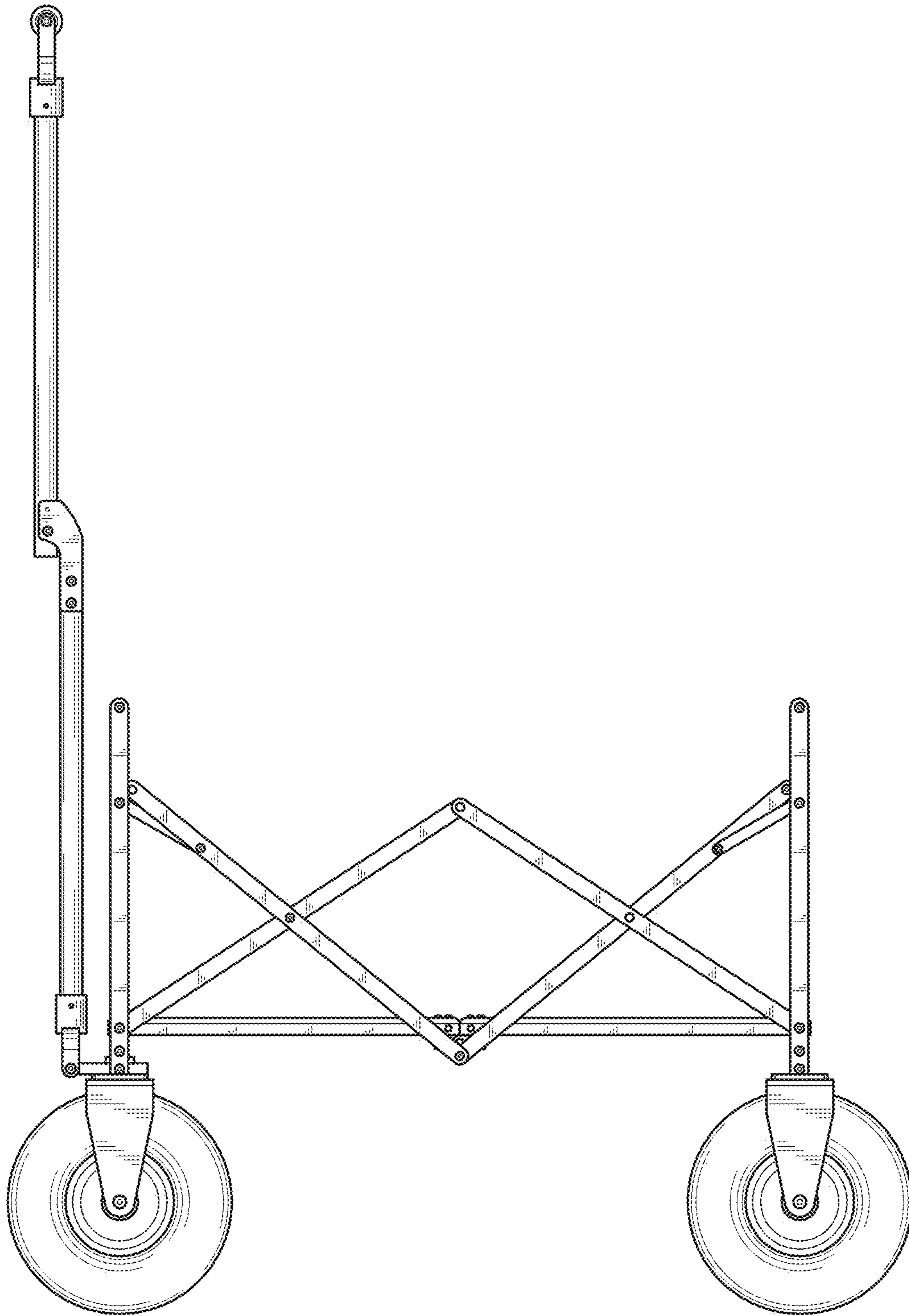


Fig. 3

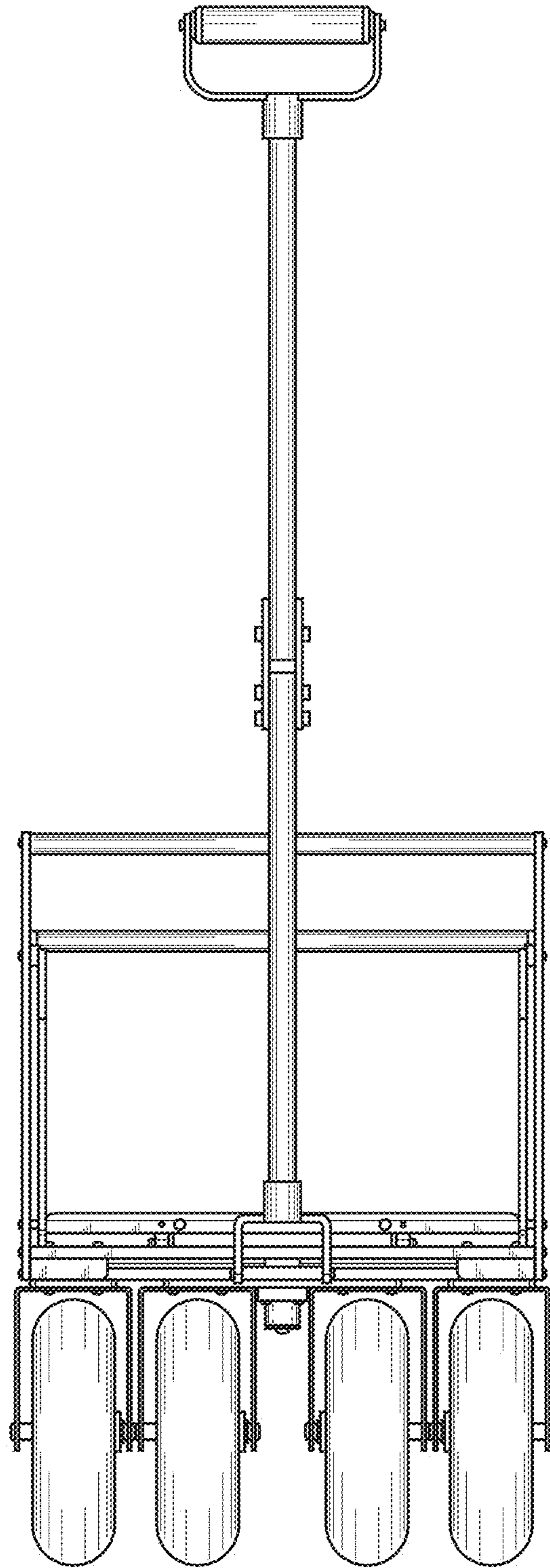


Fig. 4

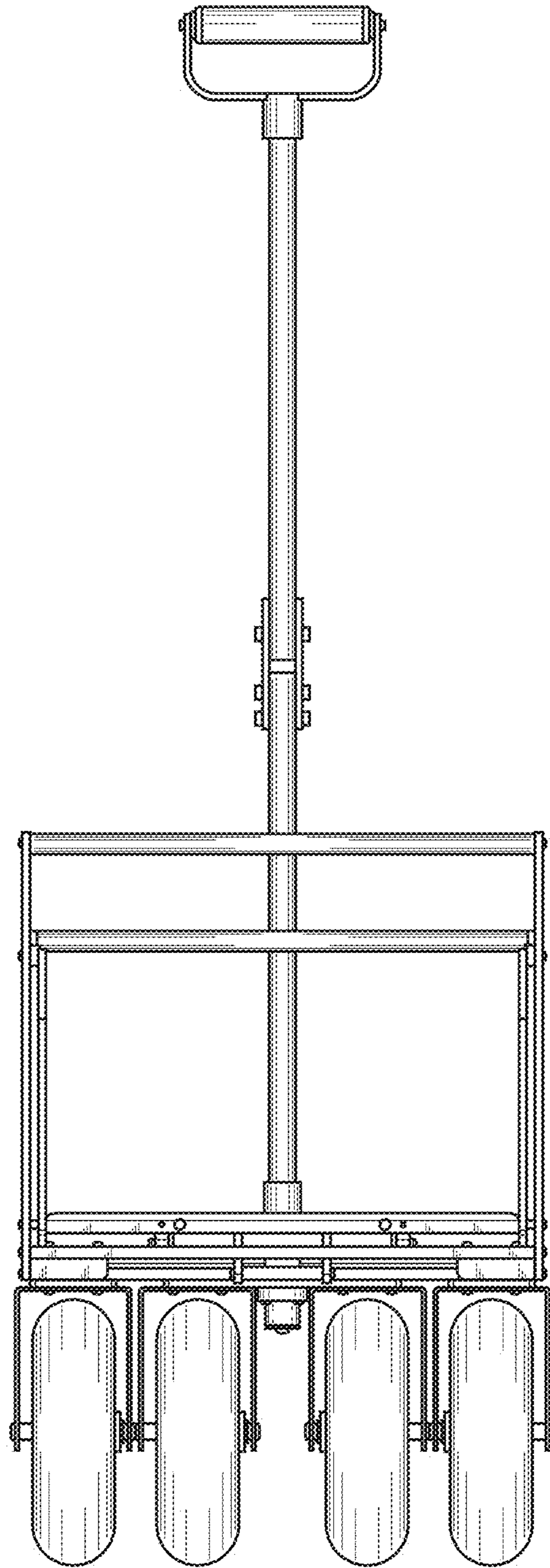


Fig. 5

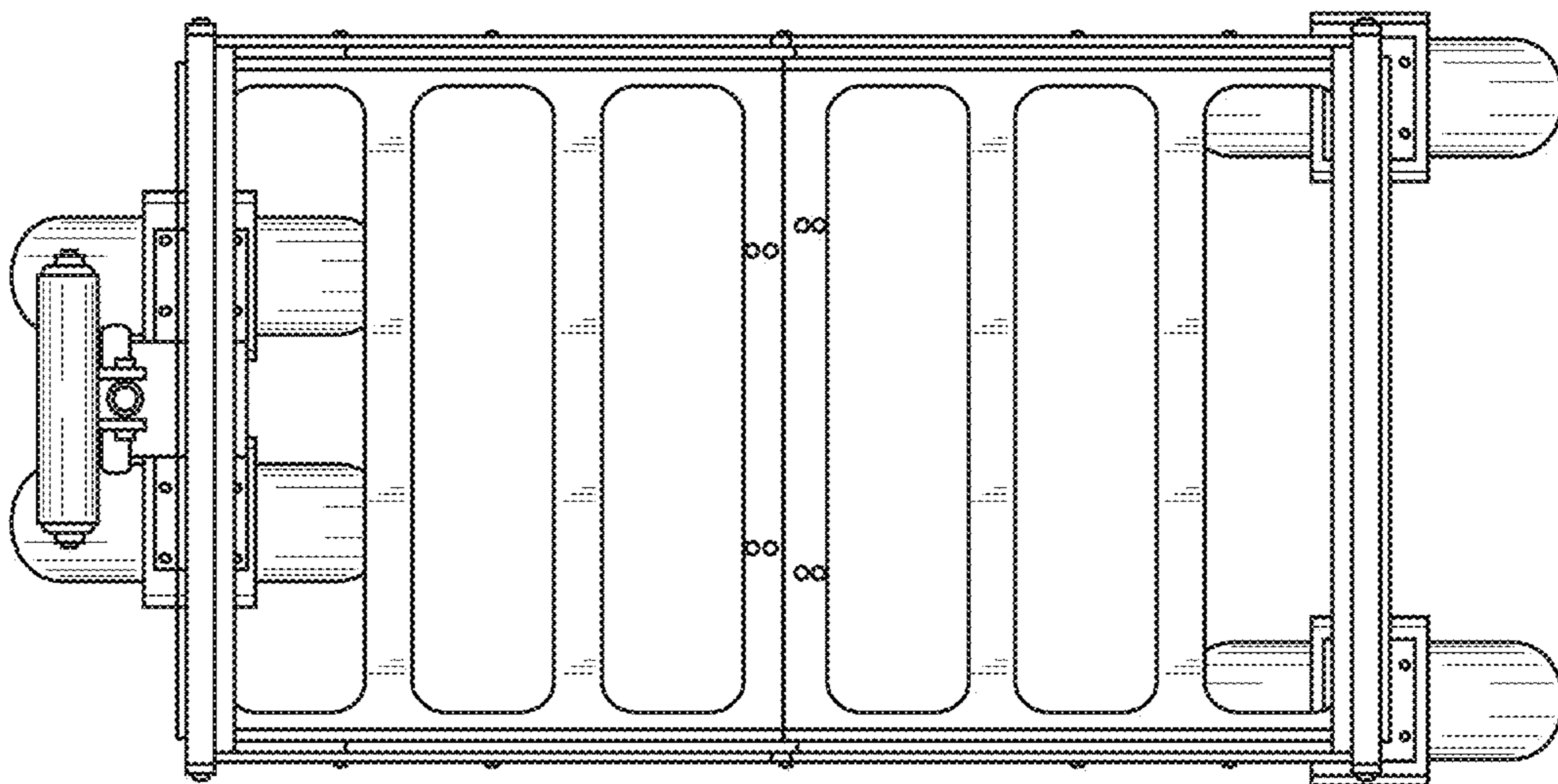


Fig. 6

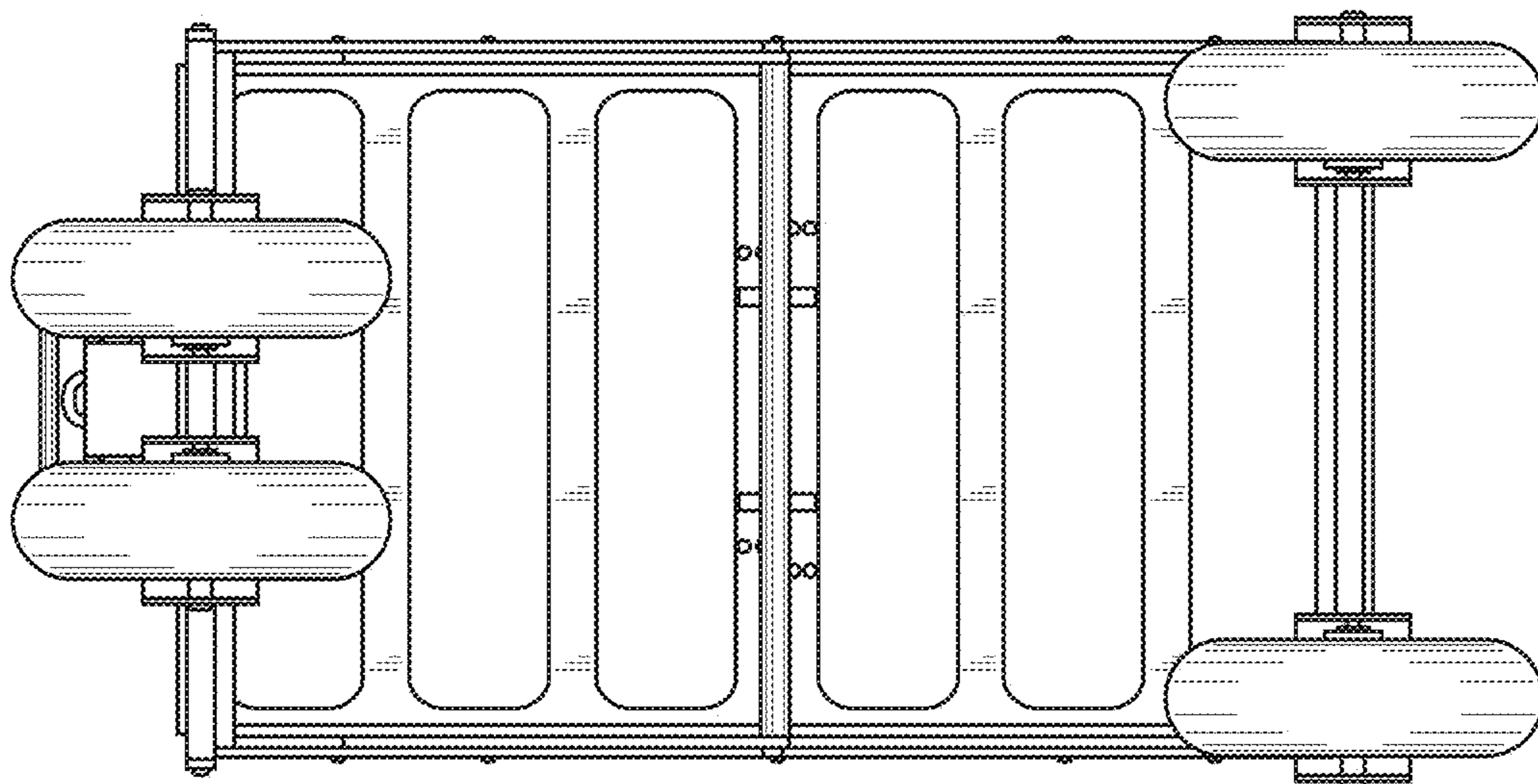


Fig. 7



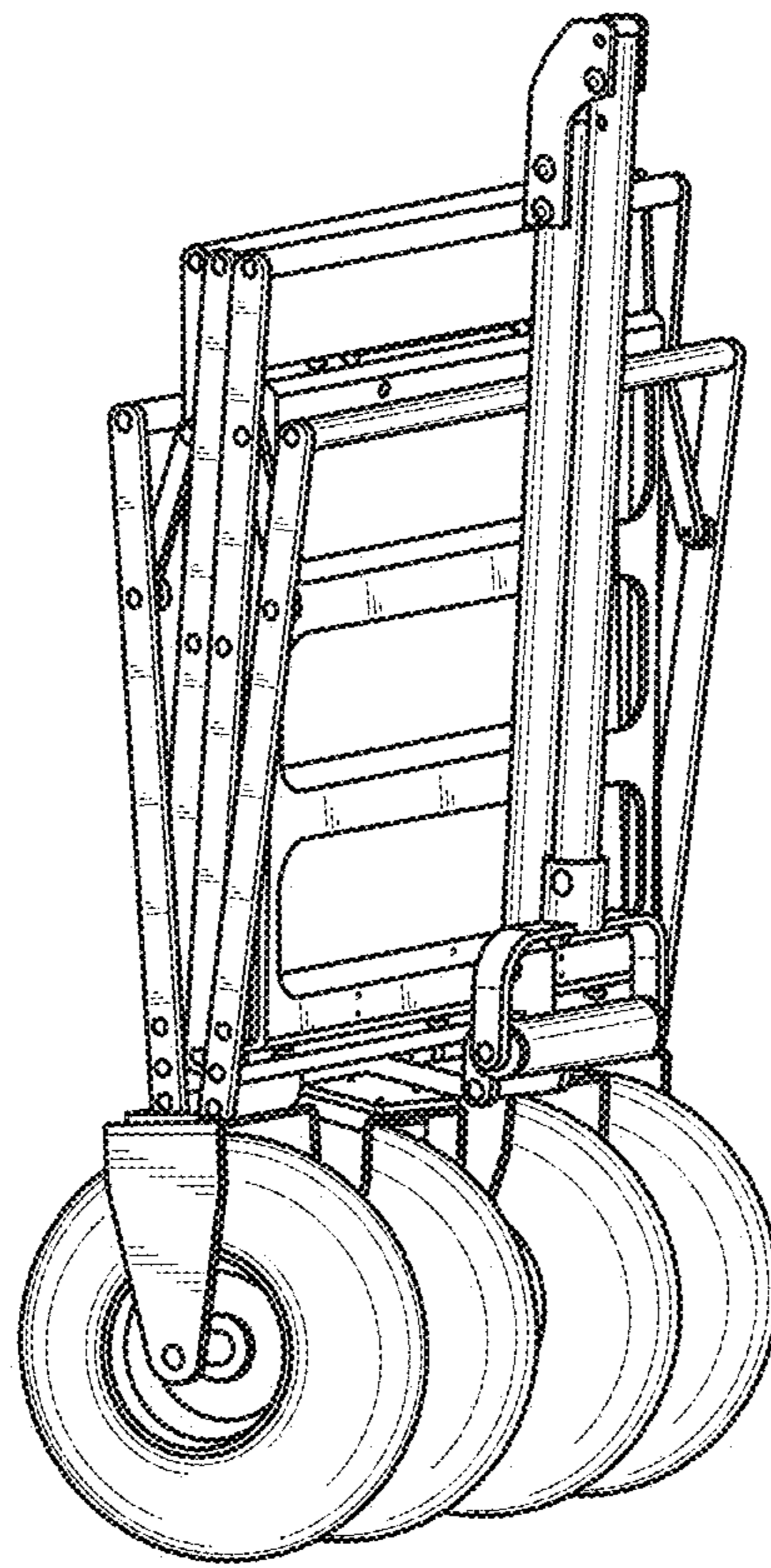


Fig. 8