



US00D905794S

(12) **United States Design Patent** (10) **Patent No.:** **US D905,794 S**
Liu et al. (45) **Date of Patent:** **** Dec. 22, 2020**

(54) **SCOOTER**

(71) Applicant: **NINEBOT (BEIJING) TECH. CO., LTD**, Beijing (CN)

(72) Inventors: **Xing Liu**, Beijing (CN); **Lufeng Gao**, Beijing (CN); **Lei Liu**, Beijing (CN)

(73) Assignee: **NINEBOT (BEIJING) TECH. CO., LTD**, Beijing (CN)

(**) Term: **15 Years**

(21) Appl. No.: **35/507,643**

(22) Filed: **May 29, 2019**

(80) **Hague Agreement Data**

Int. Filing Date: **May 29, 2019**

Int. Reg. No.: **DM/203588**

Int. Reg. Date: **May 29, 2019**

Int. Reg. Pub. Date: **Nov. 1, 2019**

(30) **Foreign Application Priority Data**

Nov. 29, 2018 (CN) 2018 3 0685778

(51) **LOC (12) Cl.** **12-11**

(52) **U.S. Cl.**
USPC **D21/423**

(58) **Field of Classification Search**

USPC D12/107, 109-113; D21/419, 423, 563, D21/760, 763, 764, 765, 771, 779

CPC ... B62K 9/00; B62K 3/00; B62K 3/02; B62K 3/04; B62K 3/06; B62K 3/08; B62K 3/10; B62K 11/00; B62K 11/007; B62D 51/00; B62D 51/001; B62D 51/02; B62D 61/00

See application file for complete search history.

(56) **References Cited**

U.S. PATENT DOCUMENTS

D717,881 S 11/2014 Radtke et al.
D774,601 S * 12/2016 Mizrahi D21/423
(Continued)

FOREIGN PATENT DOCUMENTS

CN 301840651 S 2/2015
CN 303216557 S 5/2015

(Continued)

OTHER PUBLICATIONS

“Xiaomi Electric Scooter—Full Walkthrough”; Nov. 19, 2017.

Primary Examiner — George D. Kirschbaum

Assistant Examiner — Joseph J Kukella

(74) *Attorney, Agent, or Firm* — Polson Intellectual Property Law, PC; Margaret Polson

(57) **CLAIM**

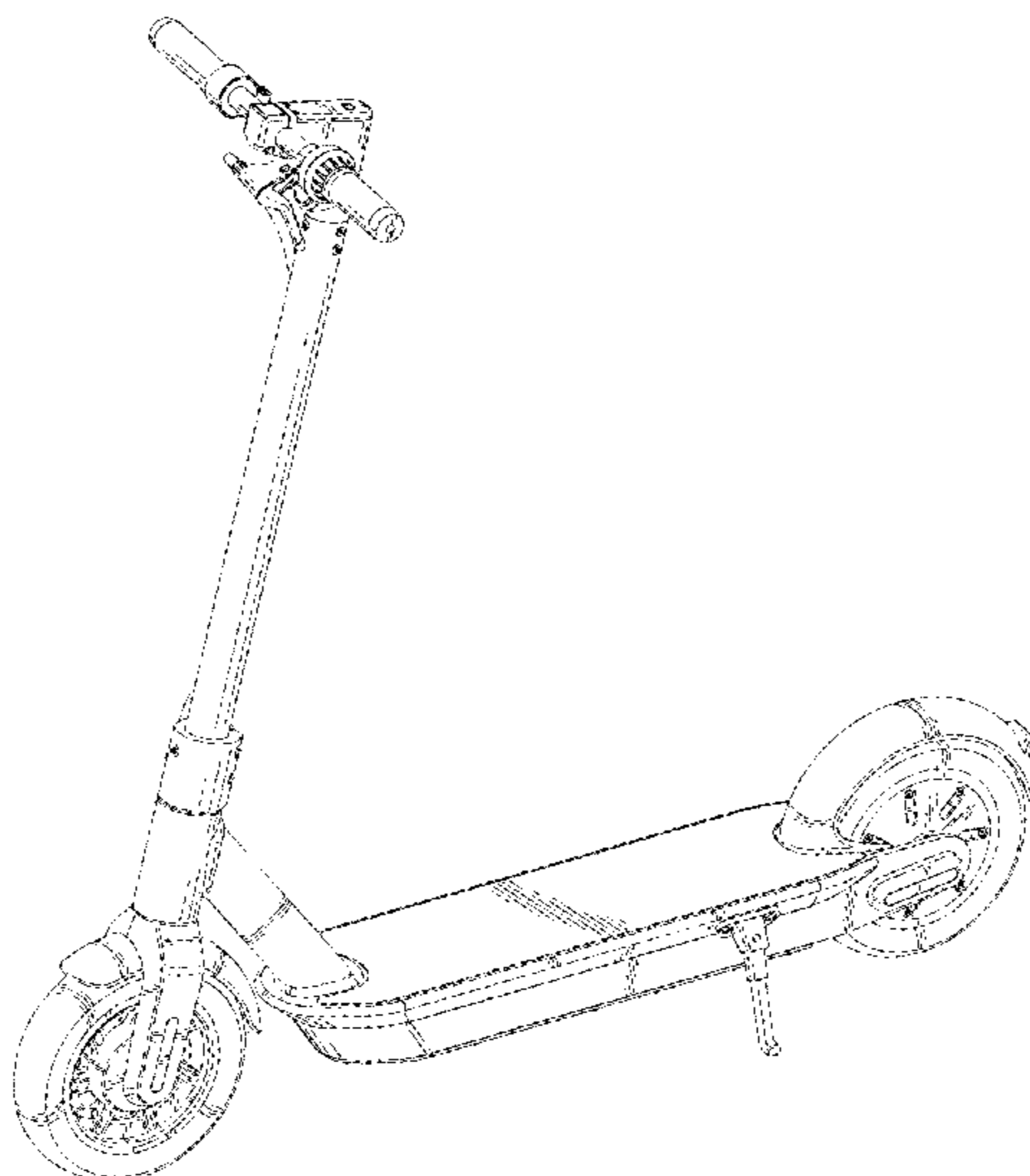
The ornamental design for a scooter, as shown and described.

DESCRIPTION

The patent or application file contains at least one drawing executed in color. Copies of this patent or patent application publication with color drawing(s) will be provided by the Office upon request and payment of the necessary fee.

- 1.-2. Scooter
- 1.1 : Front
- 1.2 : Back
- 1.3 : Left
- 1.4 : Right
- 1.5 : Top
- 1.6 : Bottom
- 1.7 : Perspective
- 2.1 : Front
- 2.2 : Back
- 2.3 : Left
- 2.4 : Right
- 2.5 : Top
- 2.6 : Bottom
- 2.7 : Perspective

1 Claim, 14 Drawing Sheets
(7 of 14 Drawing Sheet(s) Filed in Color)



(56)

References Cited

U.S. PATENT DOCUMENTS

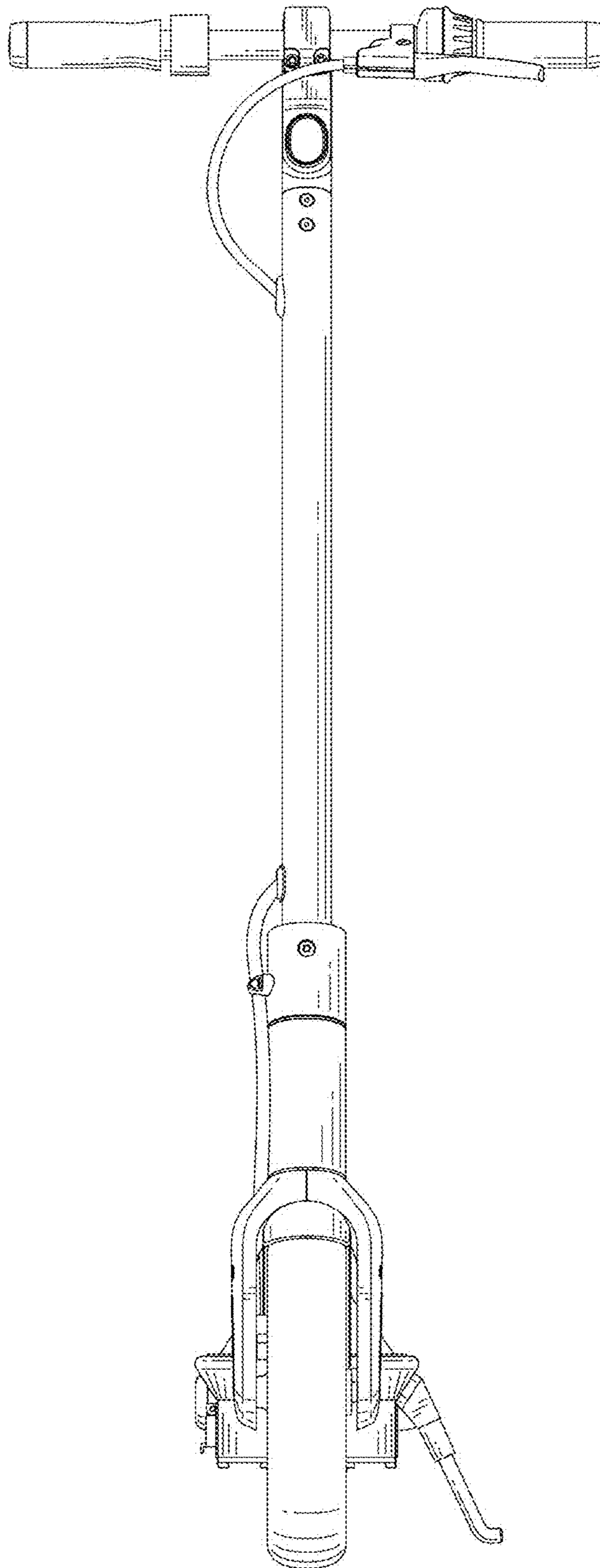
D827,036 S * 8/2018 Sebban D21/423
D829,826 S * 10/2018 Liu D21/423
D834,097 S * 11/2018 Lin D21/423
D839,358 S * 1/2019 Cao D21/423
D858,646 S * 9/2019 Yang D21/423
D873,349 S * 1/2020 Huang D21/423
D883,395 S * 5/2020 Yang D21/423
D890,852 S * 7/2020 Yang D21/423

FOREIGN PATENT DOCUMENTS

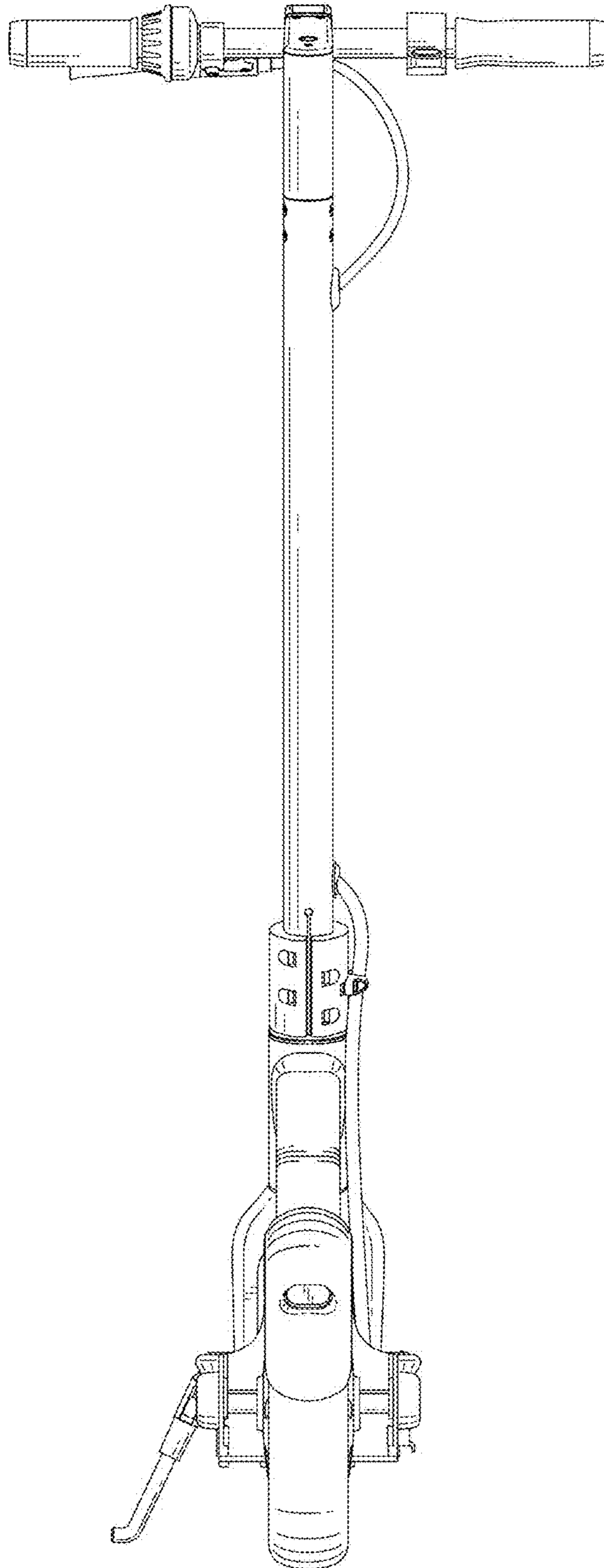
CN 303590637 S 2/2016
CN 303720103 S 6/2016
CN 303804603 S 8/2016
CN 303929584 S 11/2016
CN 304006788 S 1/2017
CN 304020522 S 2/2017
CN 304157561 S 6/2017
CN 304421597 S 12/2017
CN 304445243 S 1/2018
CN 304472403 S 1/2018
CN 304505700 S 2/2018
CN 304515169 S 2/2018
CN 304592936 S 4/2018
CN 304656875 S 6/2018
CN 304656876 S 6/2018
CN 304716381 S 7/2018
CN 304716384 S 7/2018
CN 304741988 S 7/2018
CN 304758549 S 8/2018
CN 304912520 S 11/2018
KR 30-0578561-1 10/2012
WO DM/05194-0004 8/2000

* cited by examiner

1.1



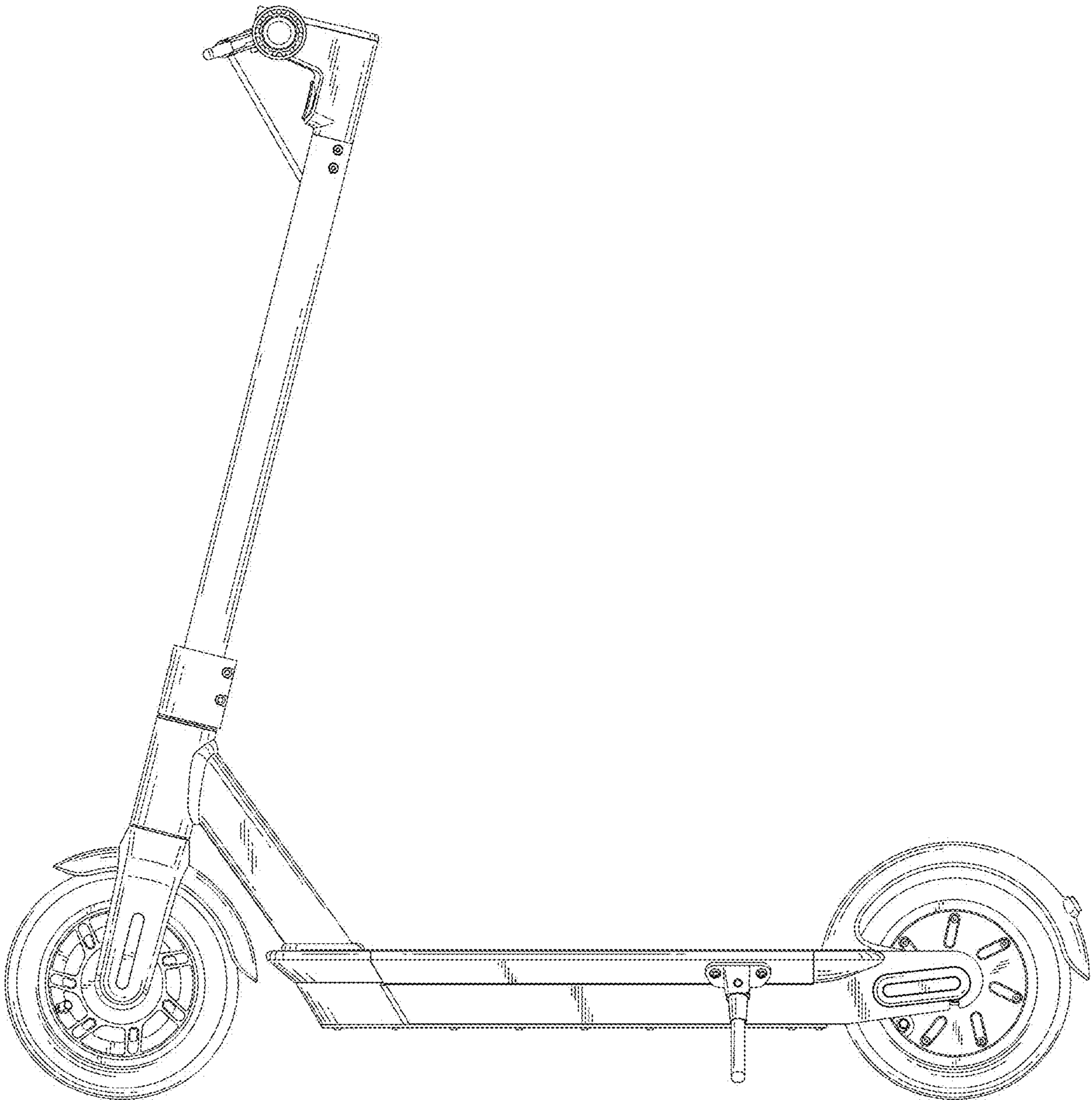
1.2



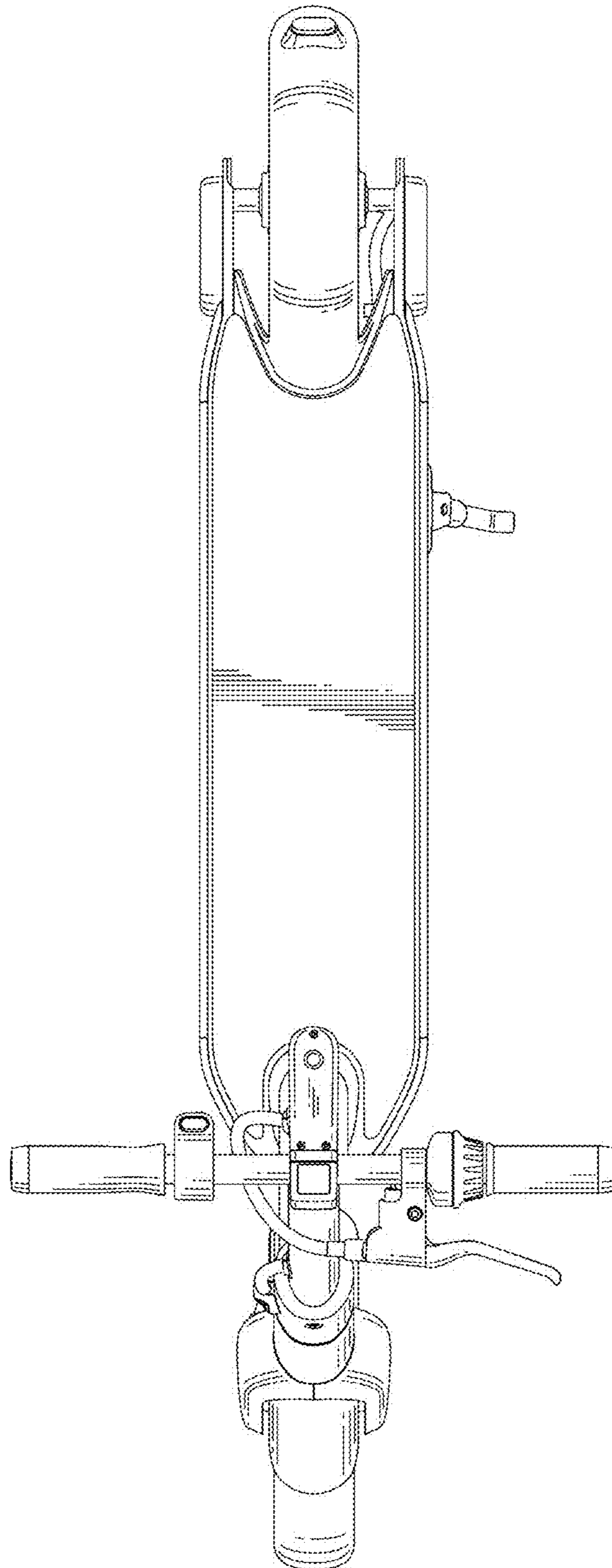
1.3



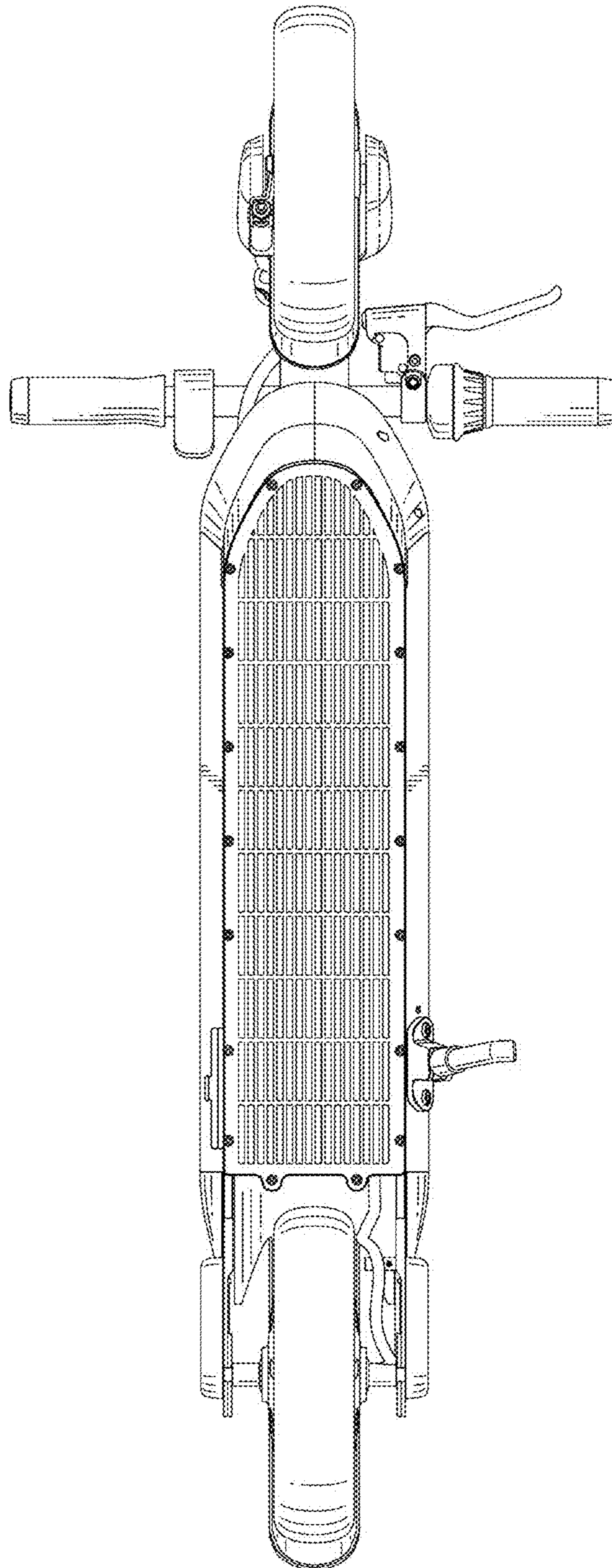
1.4



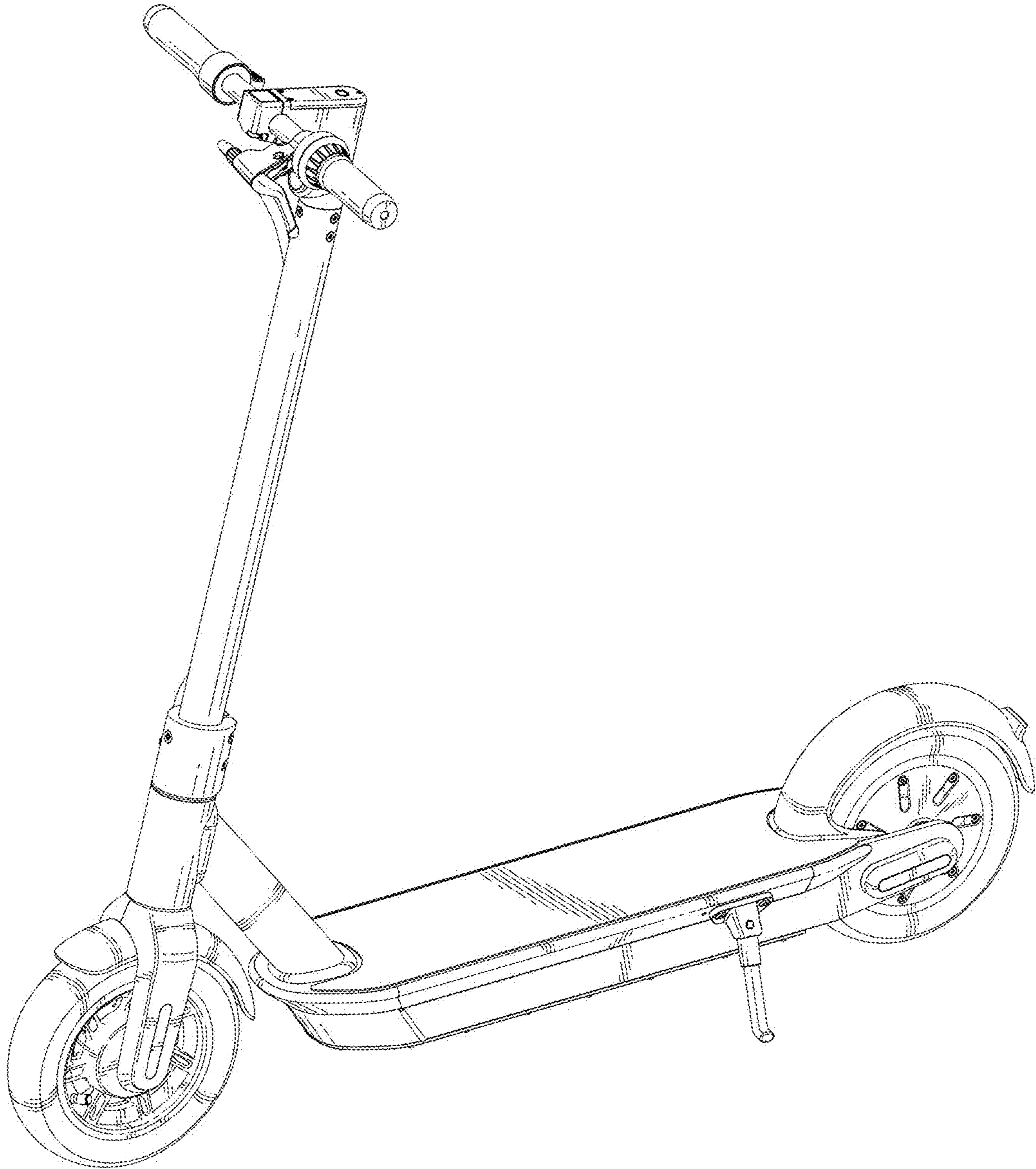
1.5



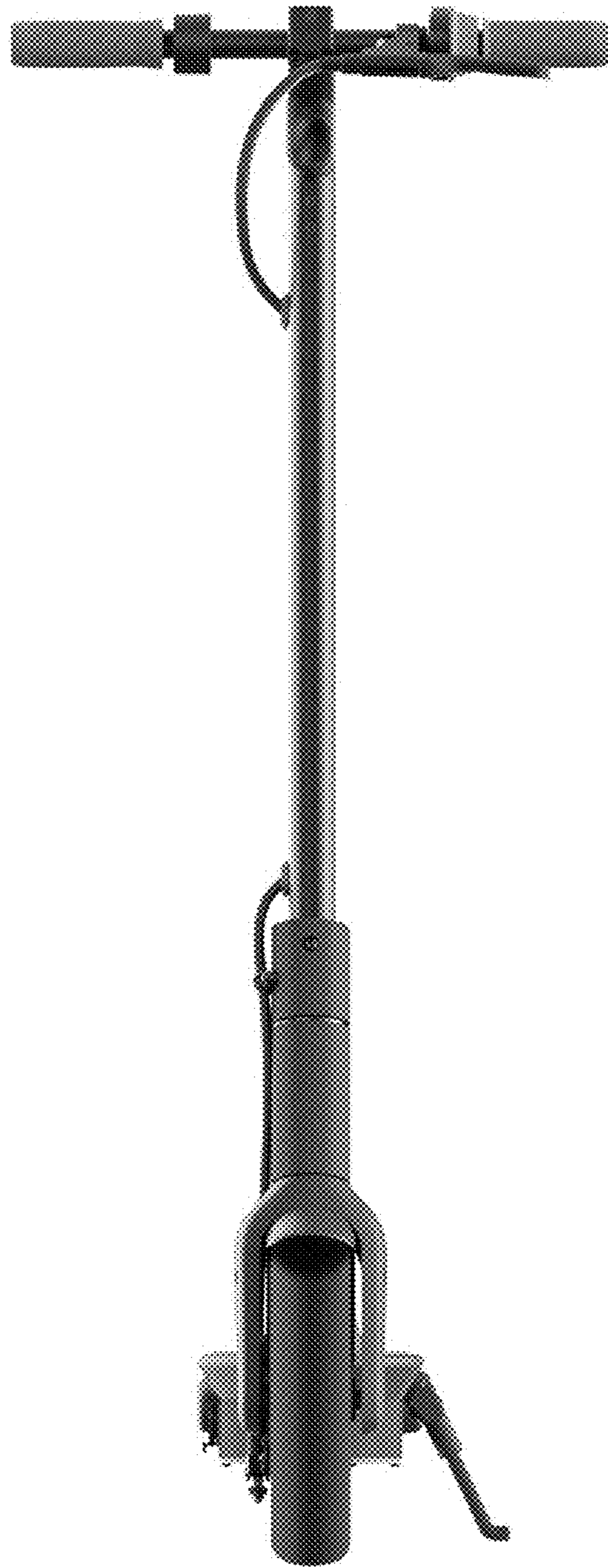
1.6



1.7



2.1



2.2



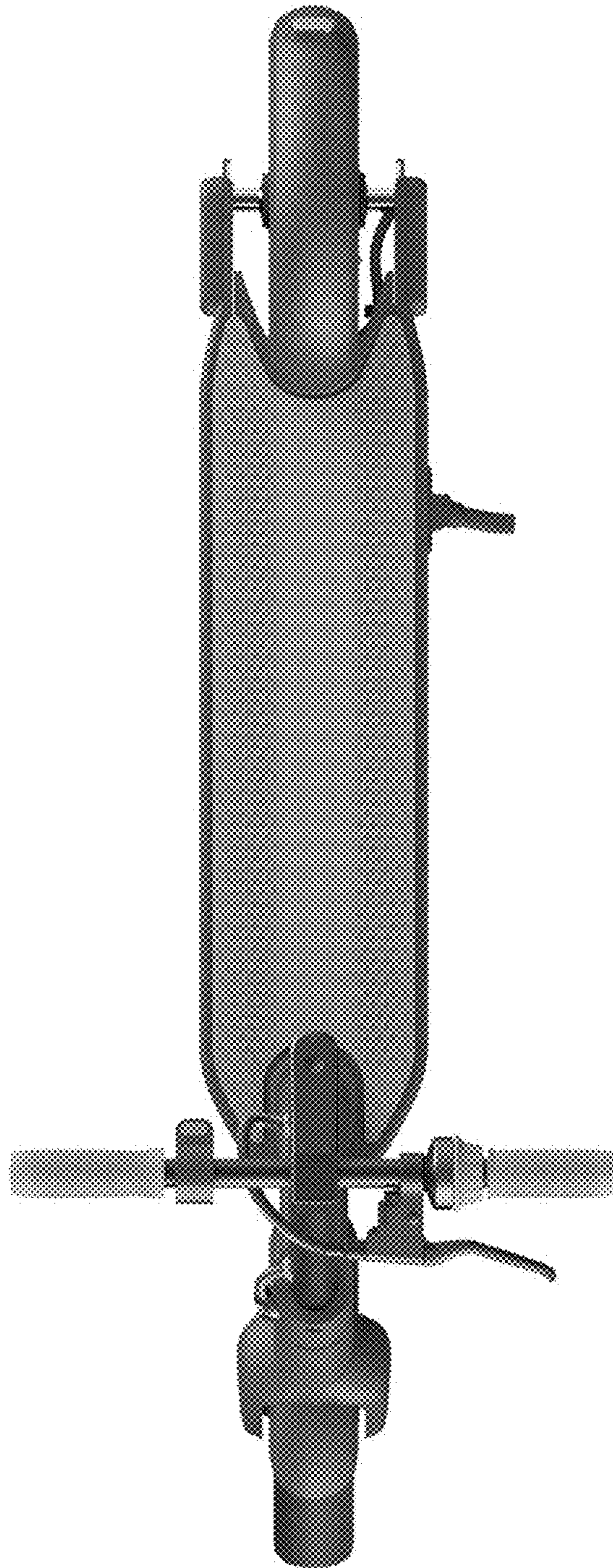
2.3



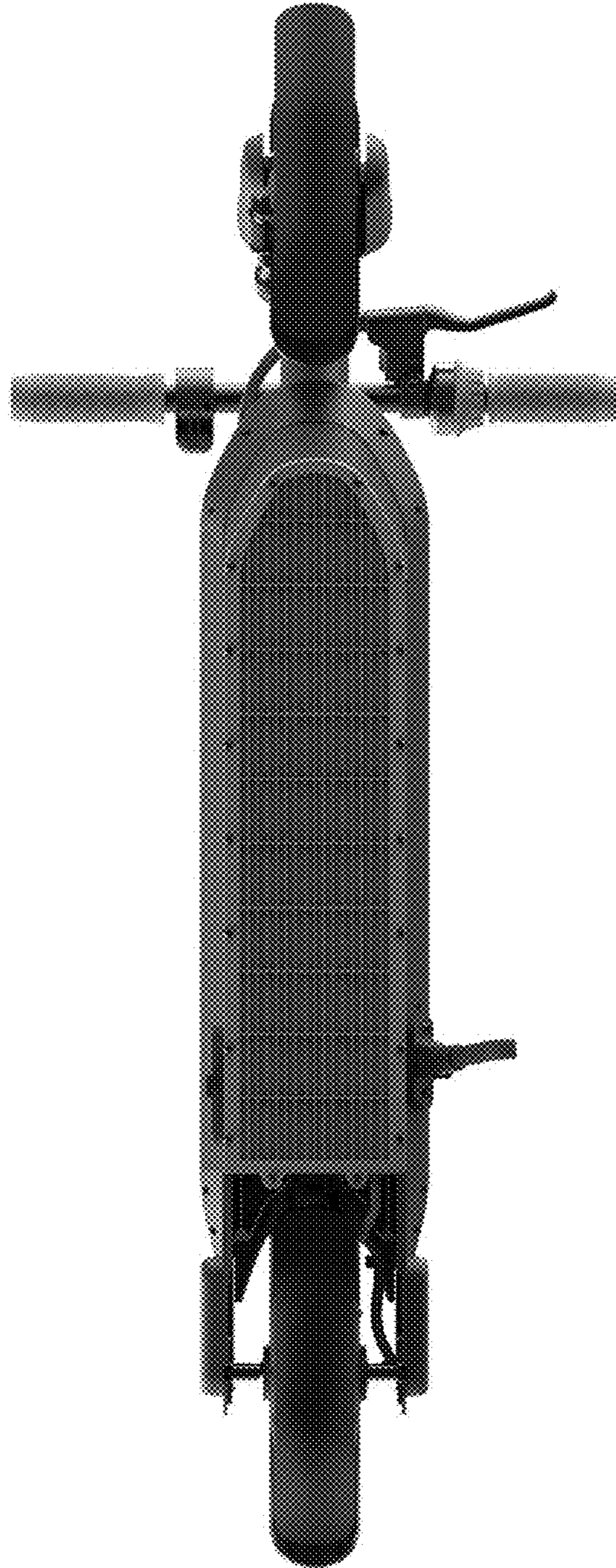
2.4



2.5



2.6



2.7

