



US00D905793S

(12) **United States Design Patent** (10) **Patent No.:** **US D905,793 S**
Yang (45) **Date of Patent:** **** Dec. 22, 2020**

(54) **SCOOTER**

2002/0093161 A1* 7/2002 Udwin B62K 3/002
280/87.05

(71) Applicant: **SHENZHEN LEQI INTELLIGENT TECHNOLOGY CO., LTD.**, Shenzhen (CN)

* cited by examiner

Primary Examiner — Cynthia M. Chin

(72) Inventor: **Jie Yang**, Shenzhen (CN)

(57) **CLAIM**

The ornamental design for a scooter, as shown and described.

(73) Assignee: **SHENZHEN LEQI INTELLIGENT TECHNOLOGY CO., LTD.**, Shenzhen (CN)

DESCRIPTION

(**) Term: **15 Years**

FIG. 1 is a perspective view of a scooter showing my new design;

(21) Appl. No.: **29/692,977**

FIG. 2 is another perspective view thereof;

(22) Filed: **May 30, 2019**

FIG. 3 is a front elevational view thereof;

(51) **LOC (12) Cl.** **21-01**

FIG. 4 is a rear elevational view thereof;

(52) **U.S. Cl.**

USPC **D21/423**

FIG. 5 is a left side elevational view thereof;

(58) **Field of Classification Search**

USPC D21/419, 421, 423, 760, 765, 771;
D12/1

FIG. 6 is a right side elevational view thereof;

CPC B62K 3/002; B62K 9/00; B62K 2202/00;
B60Y 2200/126

FIG. 7 is a top plan view thereof;

See application file for complete search history.

FIG. 8 is a bottom plan view thereof;

FIG. 9 is an enlarged partial view of handlebars taken from the top of FIG. 1;

(56) **References Cited**

U.S. PATENT DOCUMENTS

D444,824 S *	7/2001	Udwin	D21/423
6,378,880 B1 *	4/2002	Lin	B62K 3/002 280/87.05
7,156,405 B1 *	1/2007	Ming	B62K 3/002 280/278
7,976,035 B2 *	7/2011	Chan	B62K 15/00 280/87.05
D815,215 S *	4/2018	Desberg	D21/423
D827,036 S *	8/2018	Sebban	D21/423
D837,303 S *	1/2019	Desberg	D21/423
D855,115 S *	7/2019	Yan	D21/423
D858,646 S *	9/2019	Yang	D21/423
D883,395 S *	5/2020	Yang	D21/423

FIG. 10 is an enlarged partial view of the scooter taken from the left side of FIG. 1;

FIG. 11 is an enlarged partial view of the scooter taken from the bottom-middle of FIG. 1;

FIG. 12 is an enlarged partial view of handlebars taken from the top of FIG. 2;

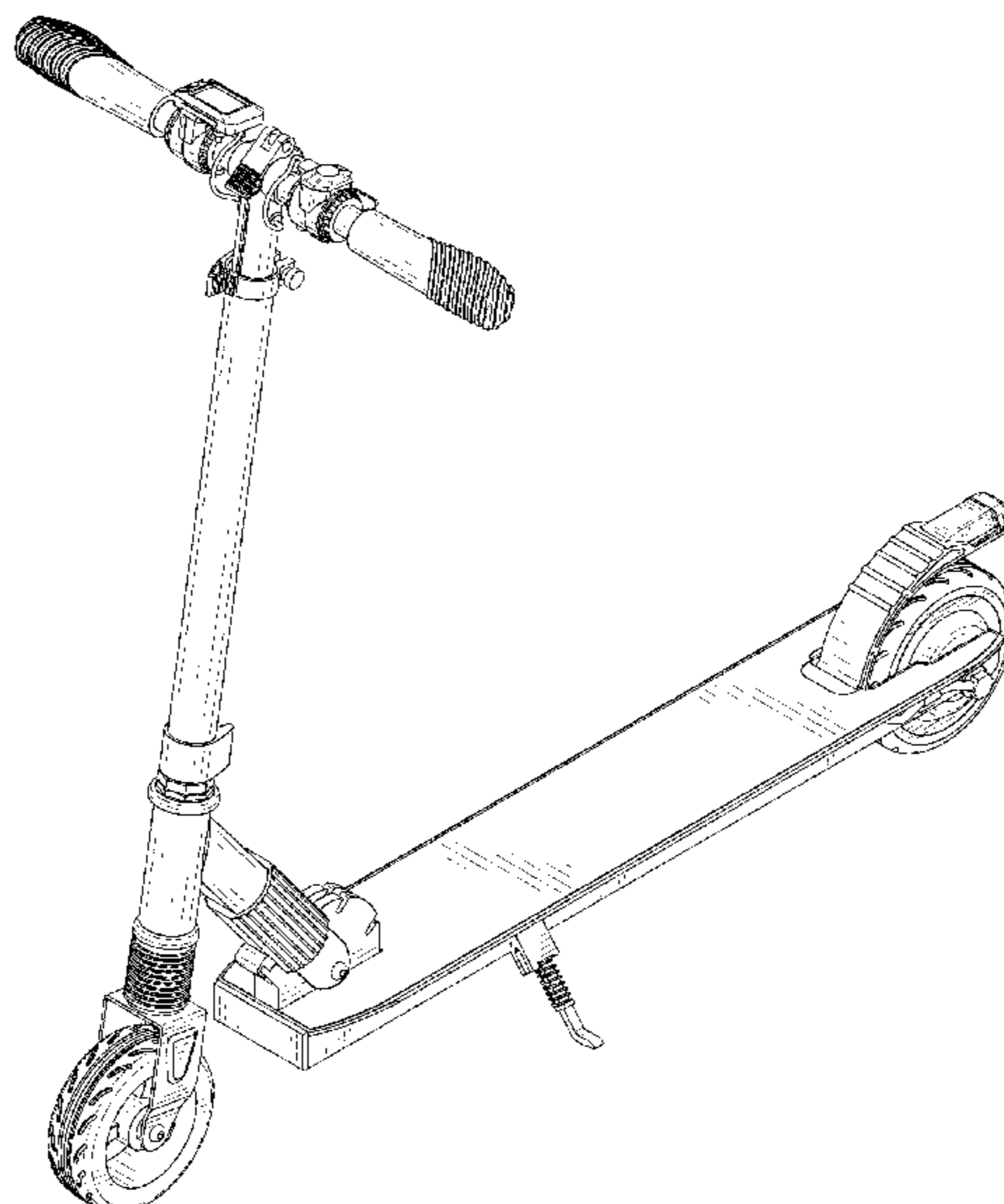
FIG. 13 is an enlarged partial view of the scooter taken from the bottom left of FIG. 2;

FIG. 14 is an enlarged partial view of handlebars taken from the top of FIG. 3; and,

FIG. 15 is an enlarged partial view of handlebars taken from the top of FIG. 4.

The broken lines in the drawings depict portions of the scooter that form no part of the claimed design. The dash-dot broken lines represent the boundaries of the enlarged partial views of FIGS. 9-15 and form no part of the claimed design.

1 Claim, 15 Drawing Sheets



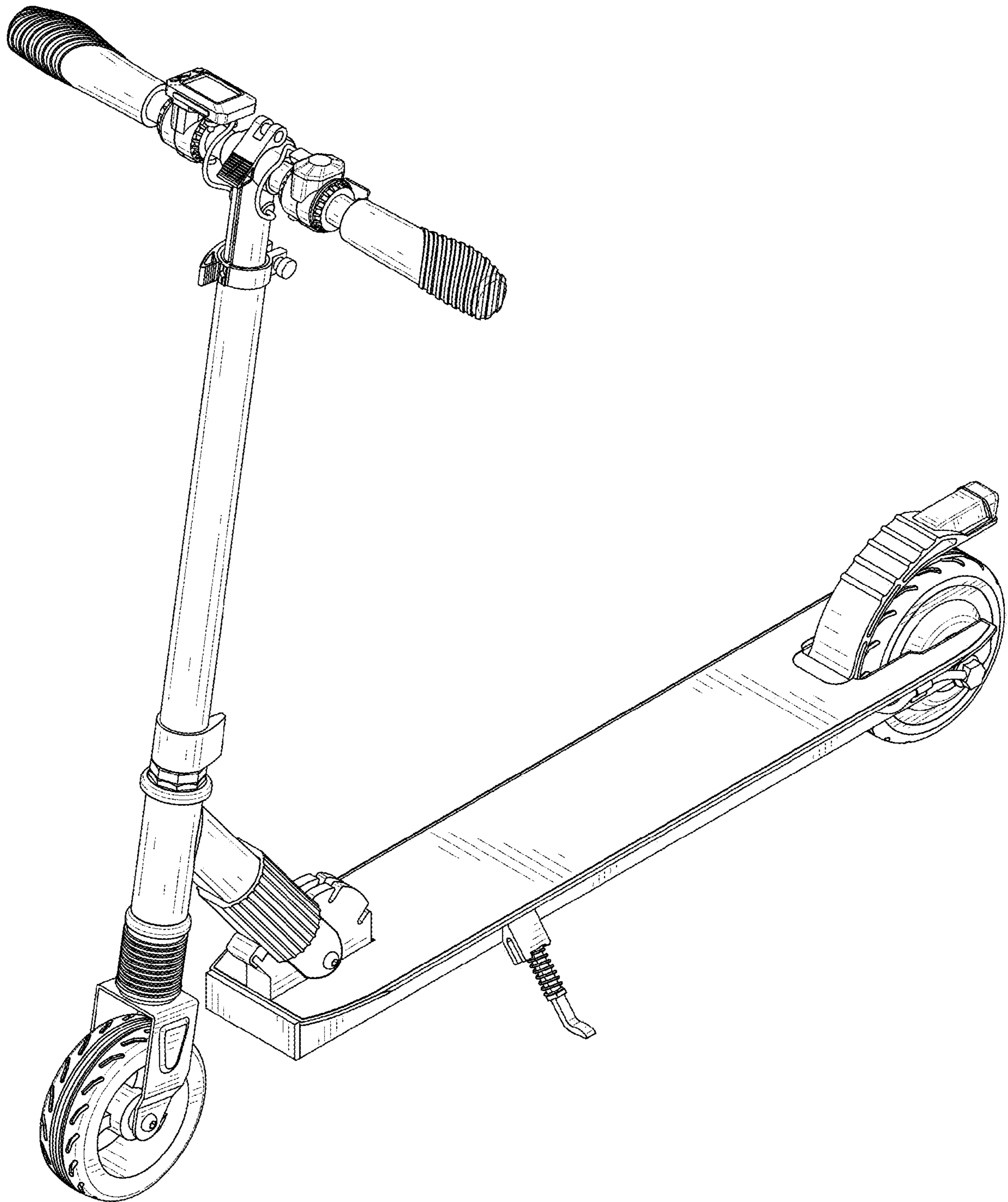


FIG. 1

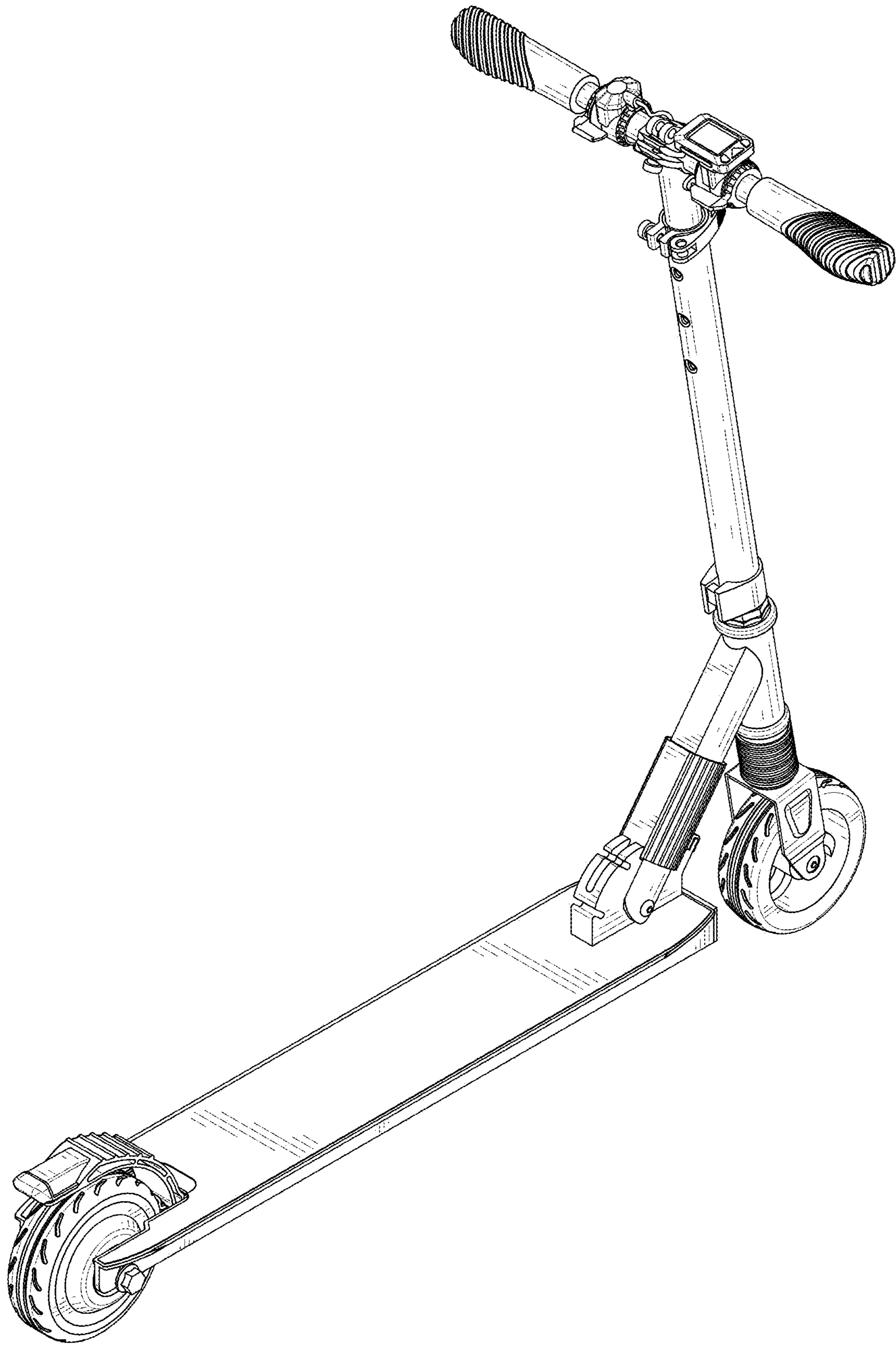


FIG. 2

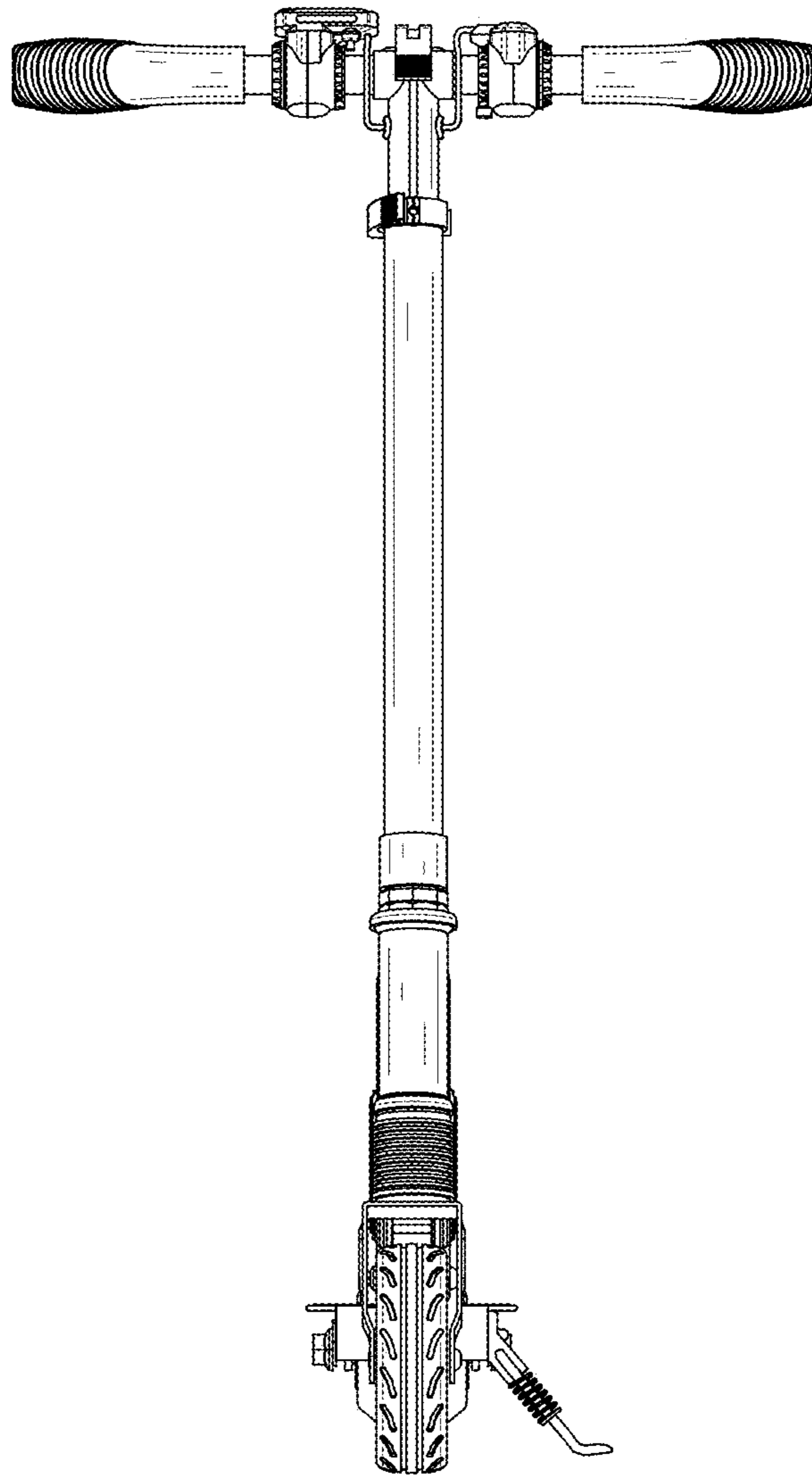


FIG. 3

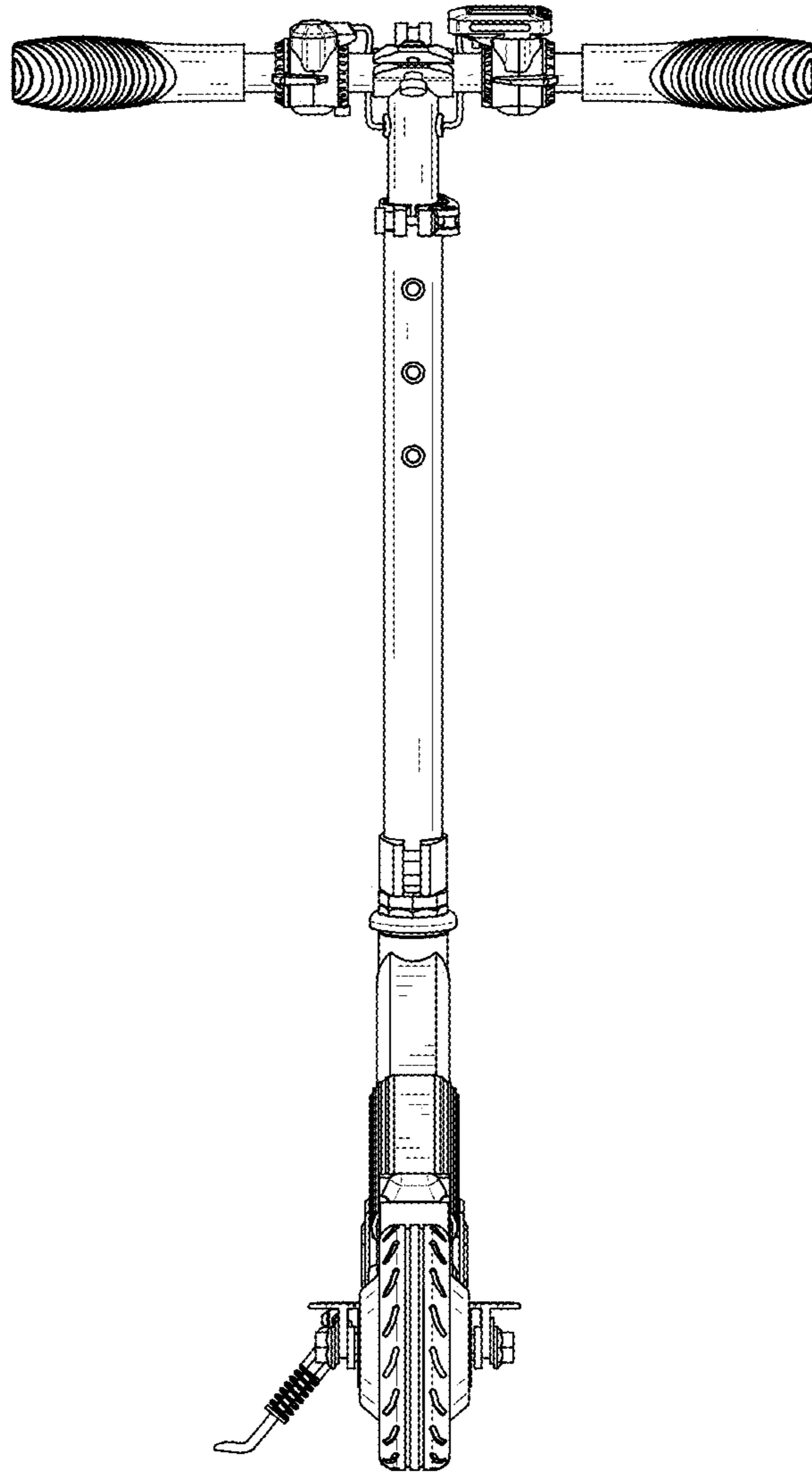


FIG. 4

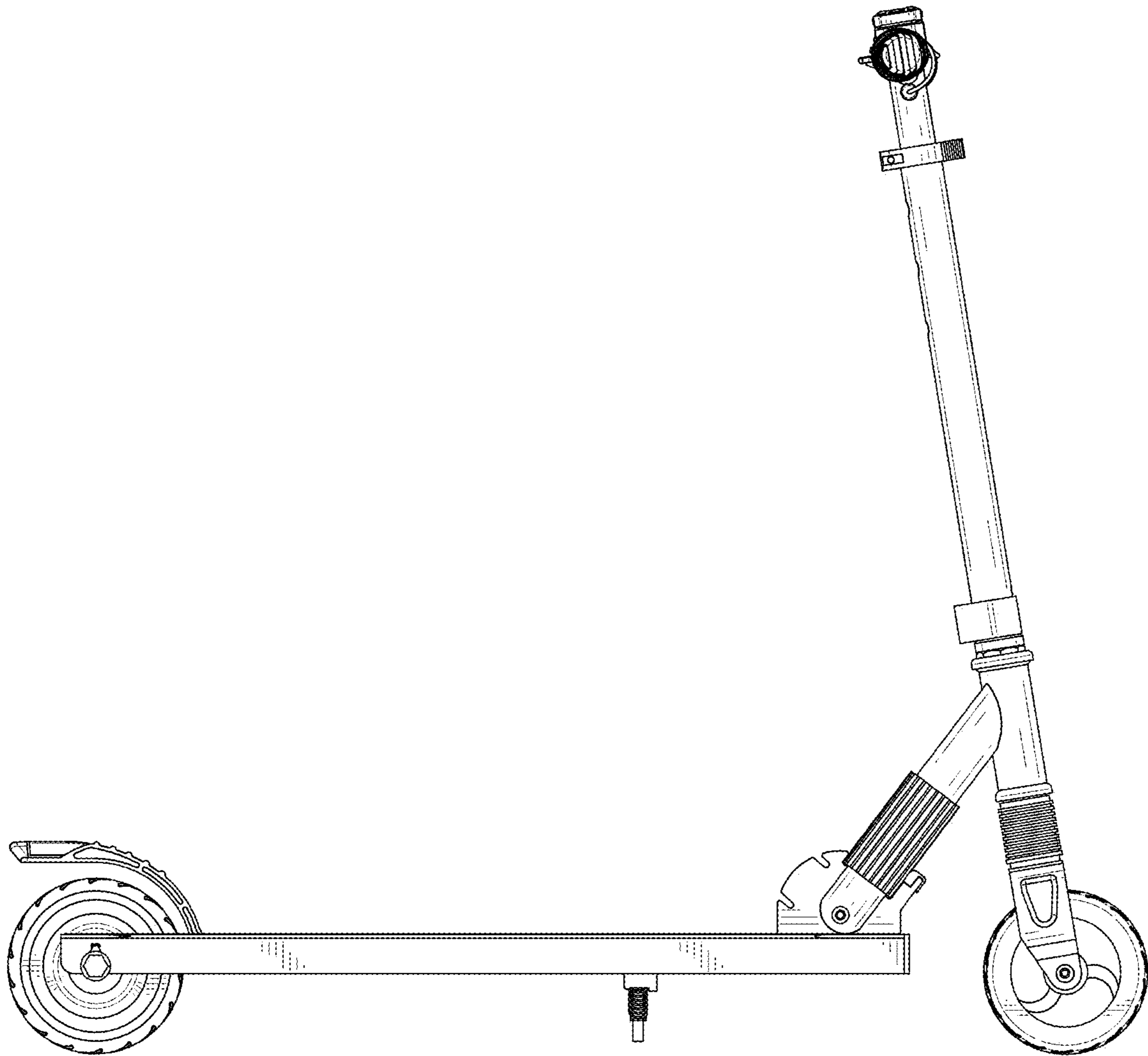


FIG. 5

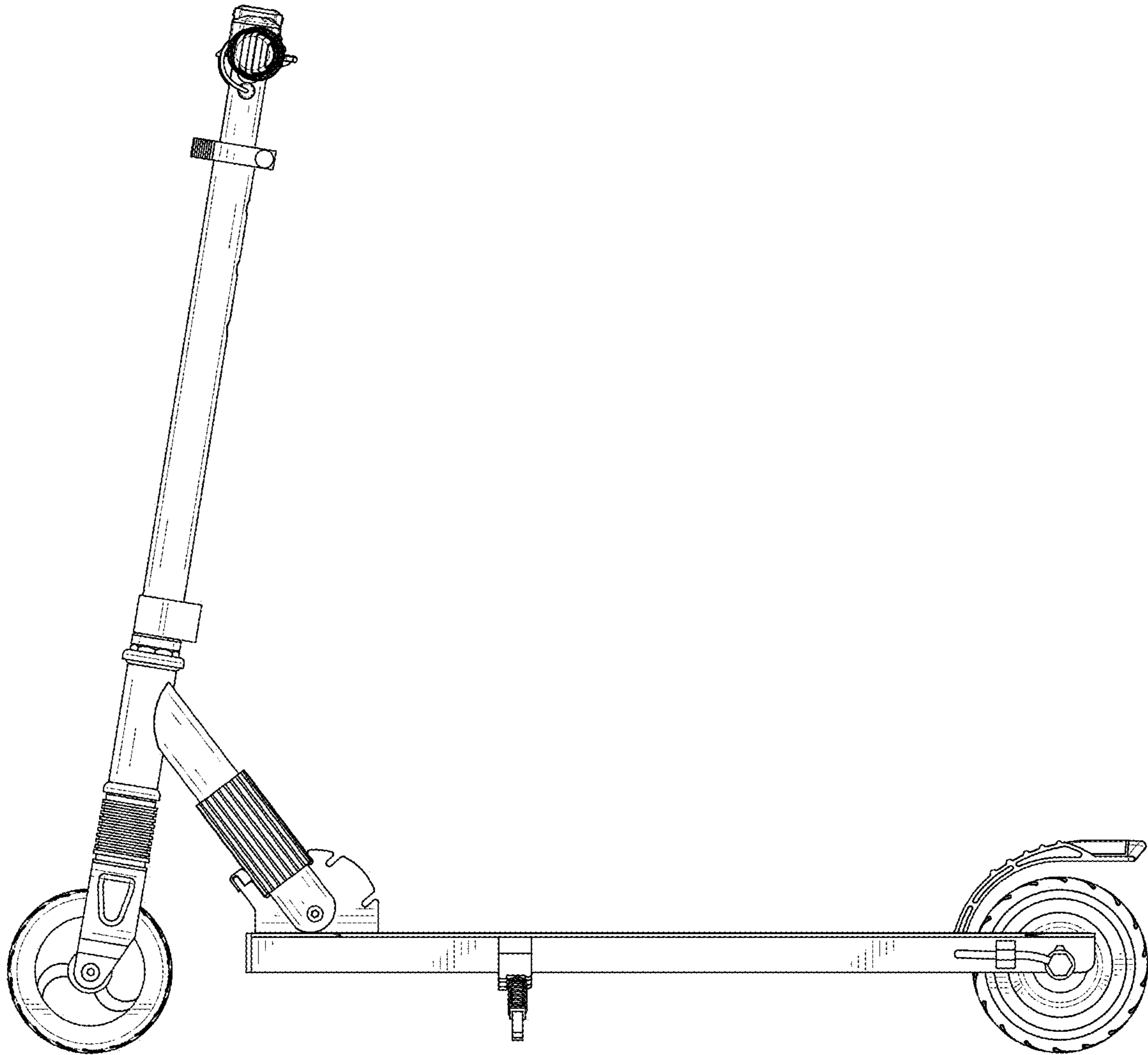


FIG. 6

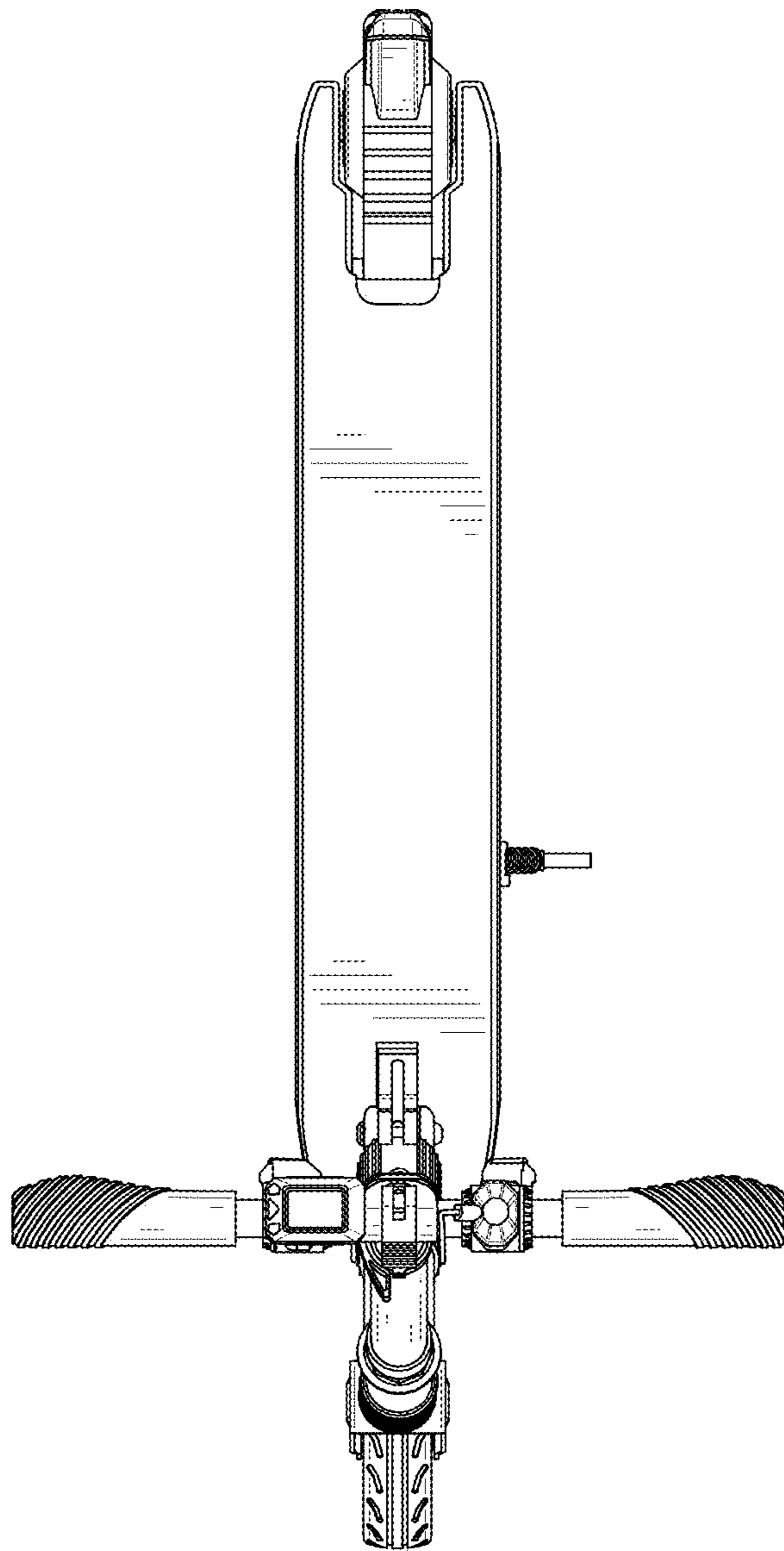


FIG. 7

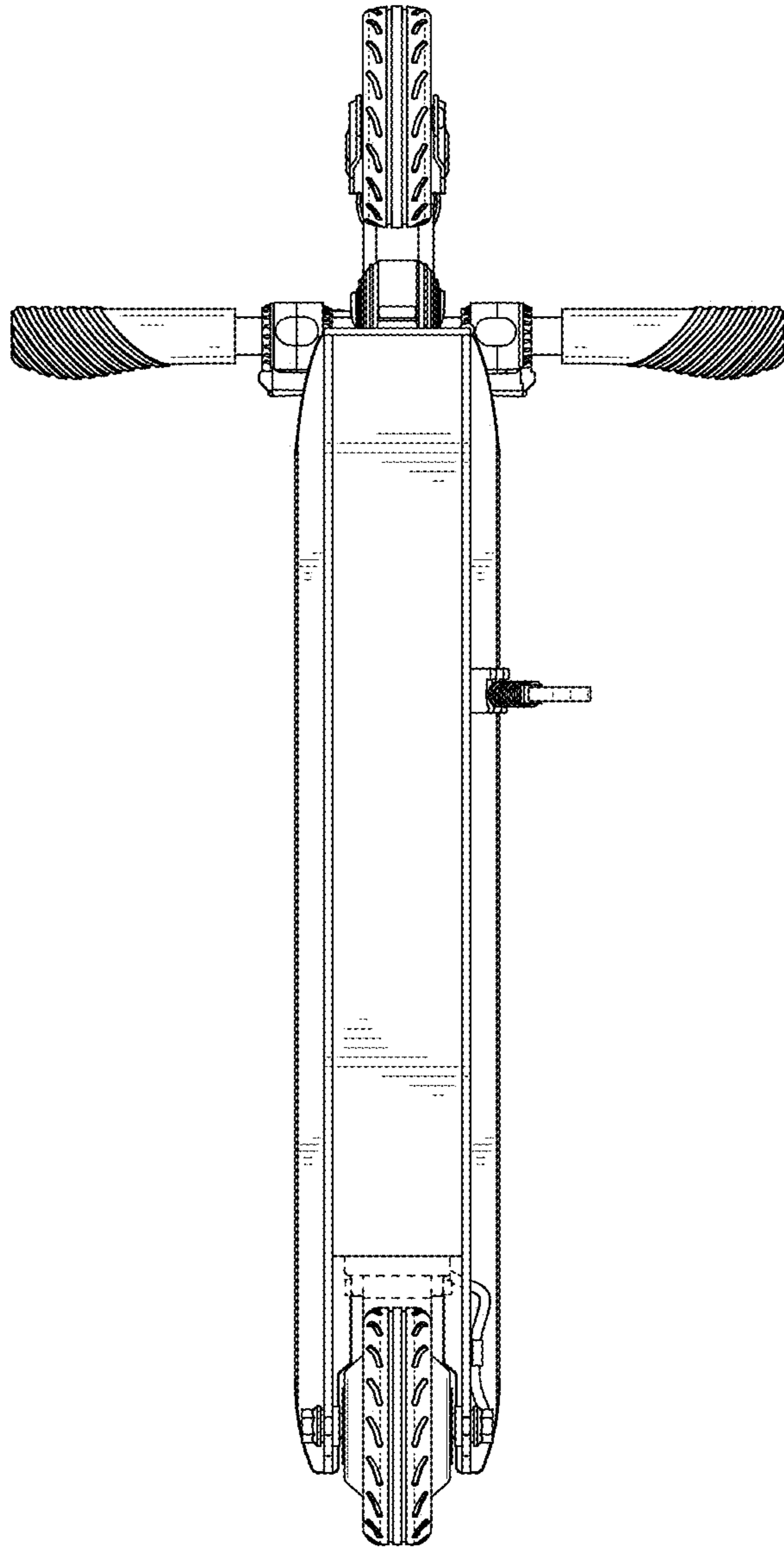


FIG. 8

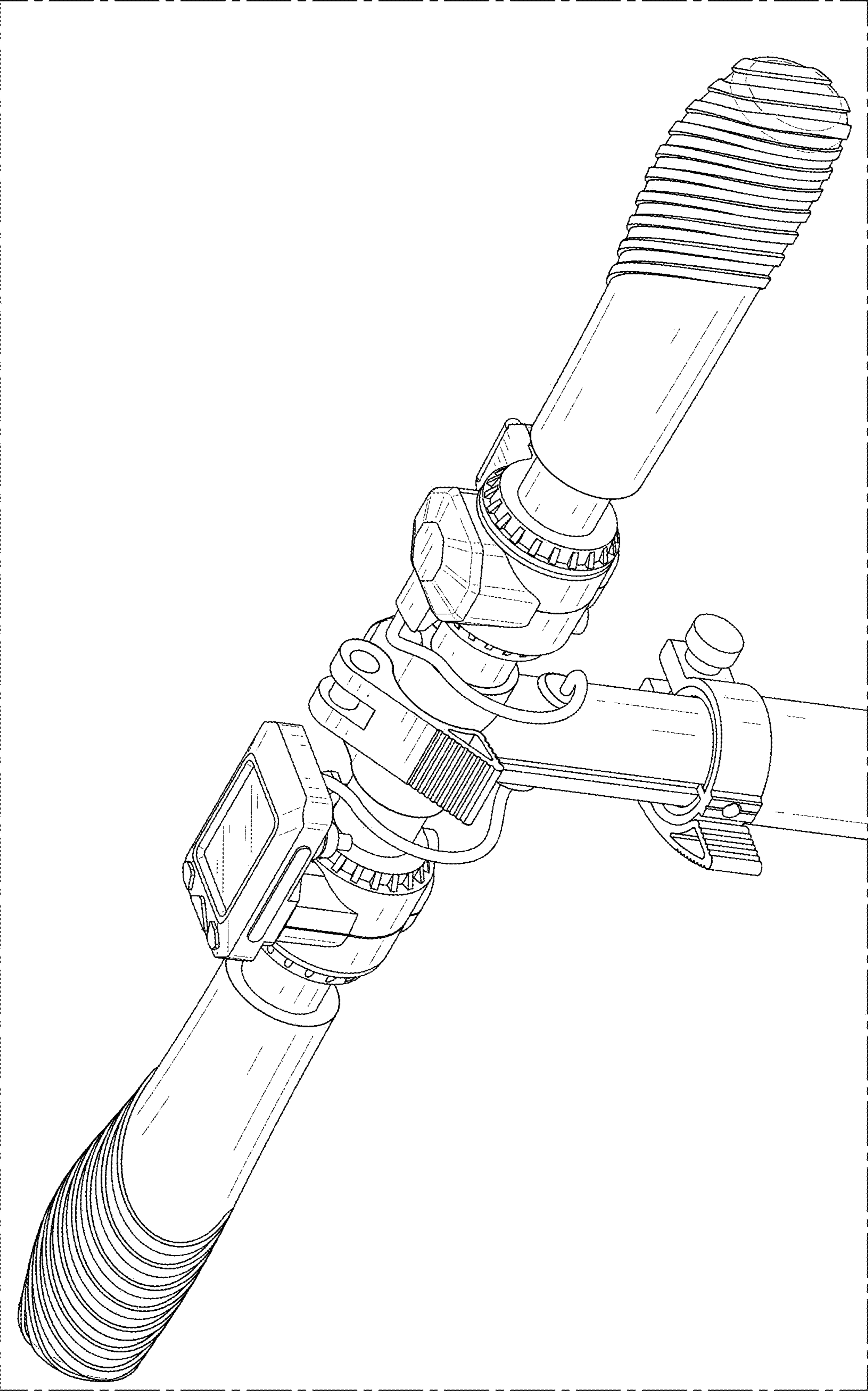


FIG. 9

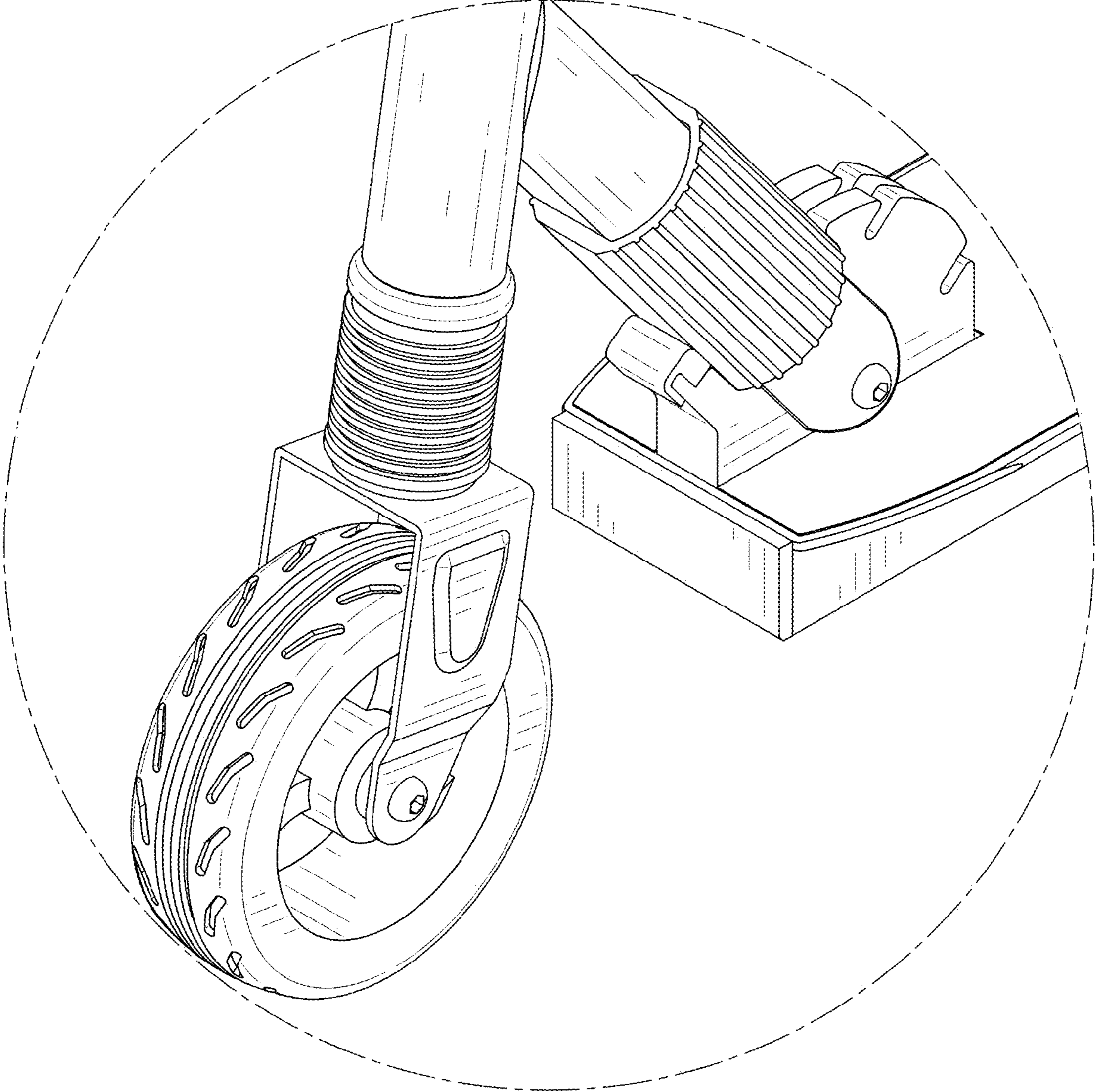


FIG. 10

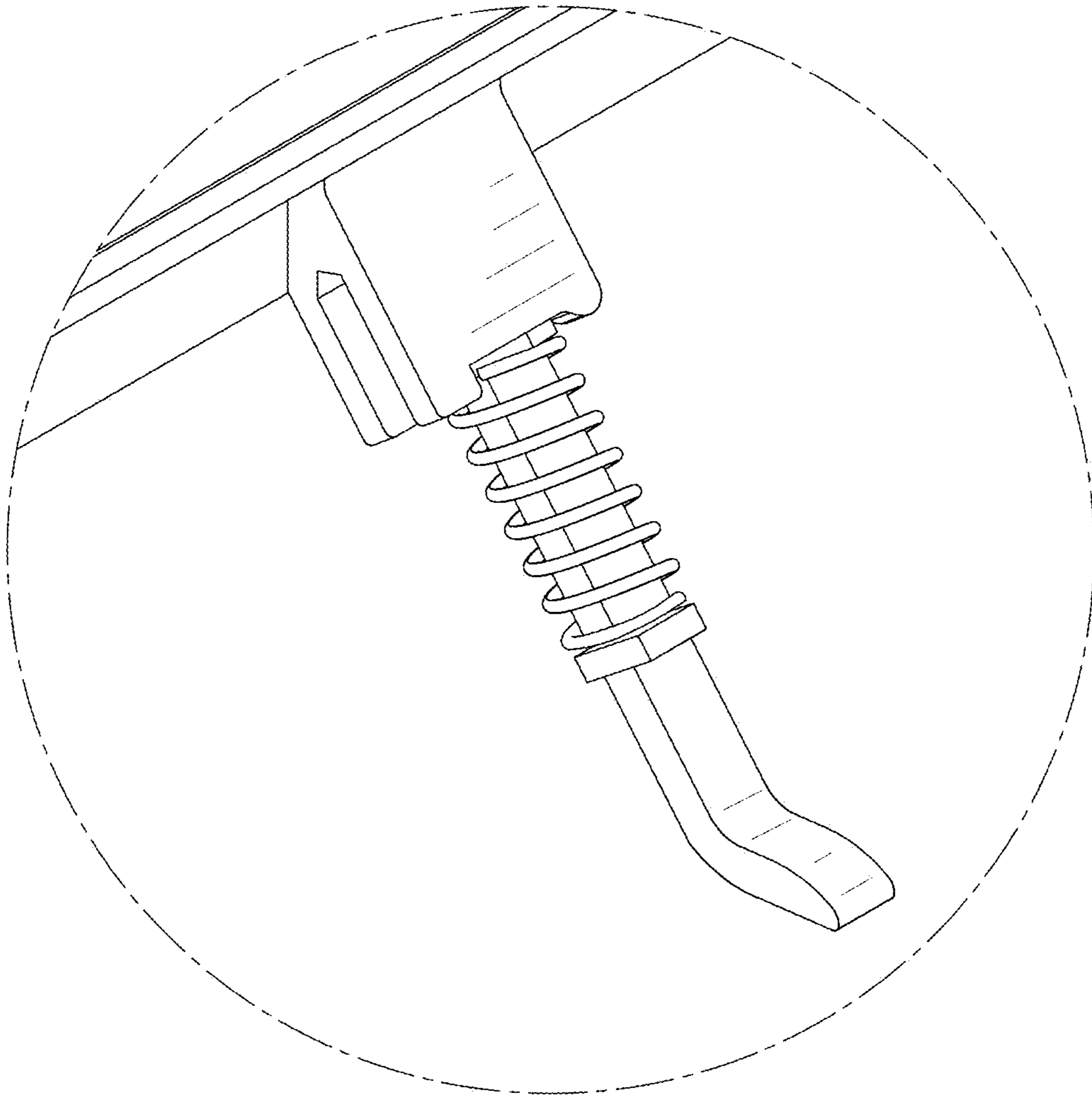


FIG. 11

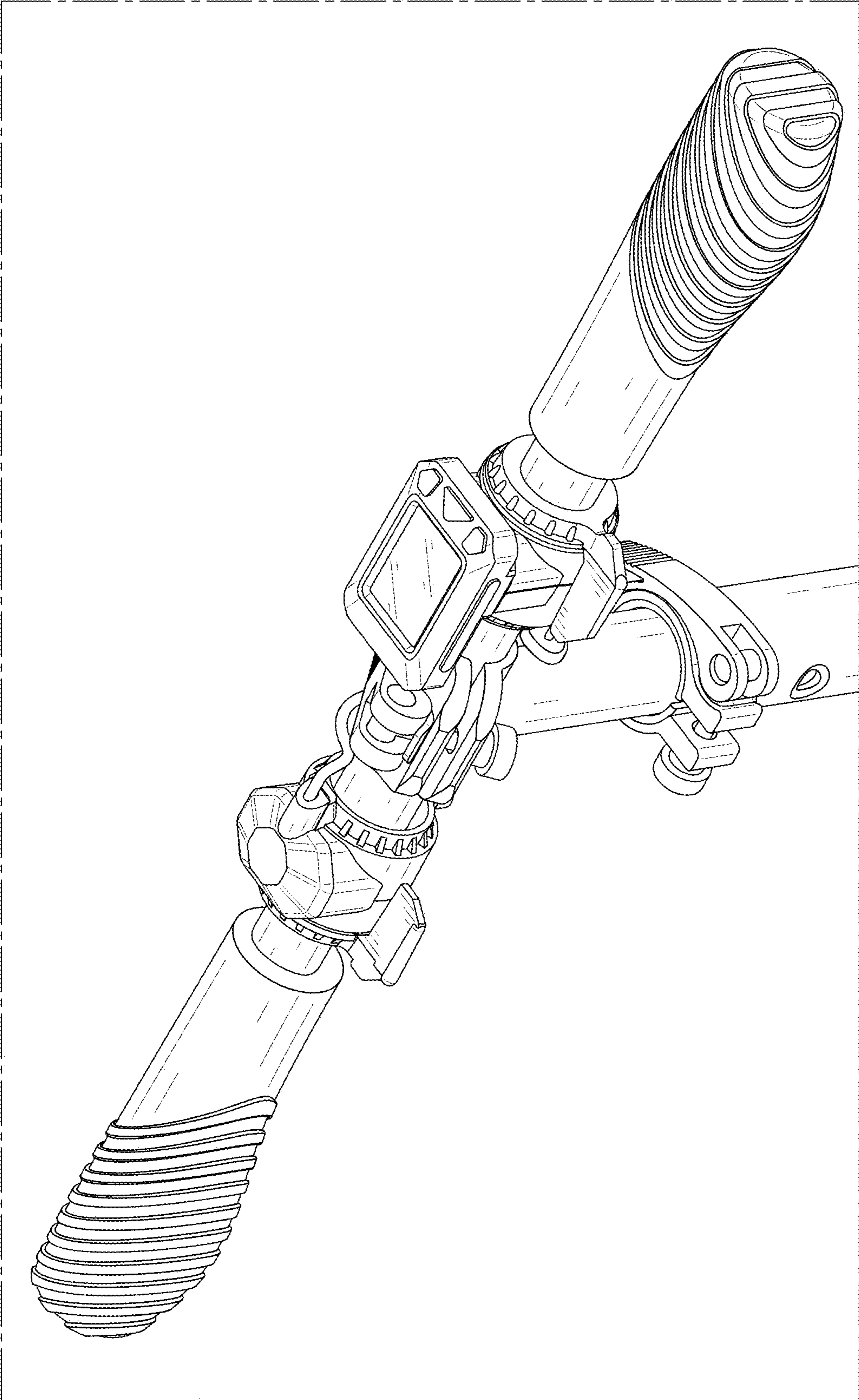


FIG. 12

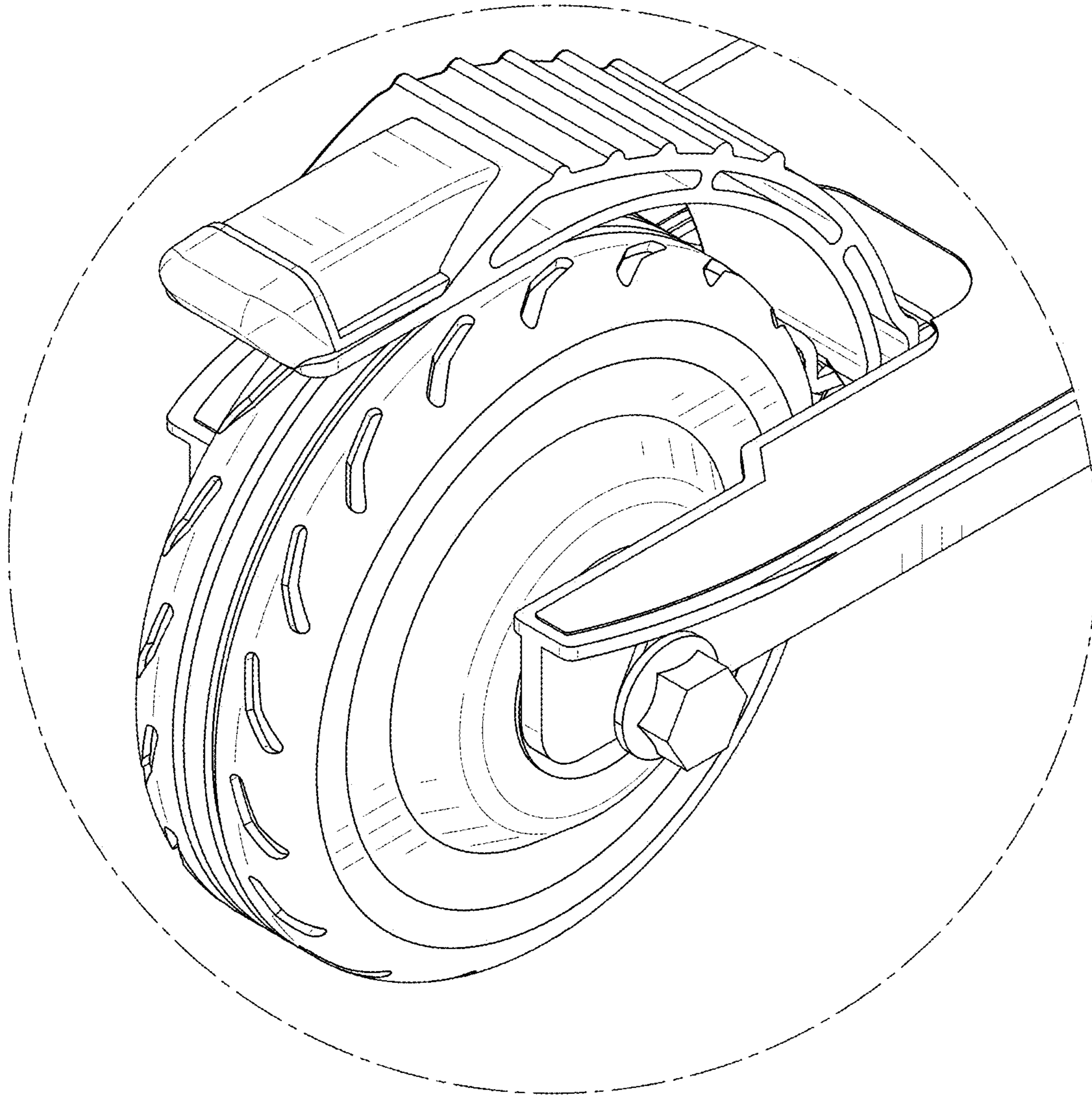


FIG. 13

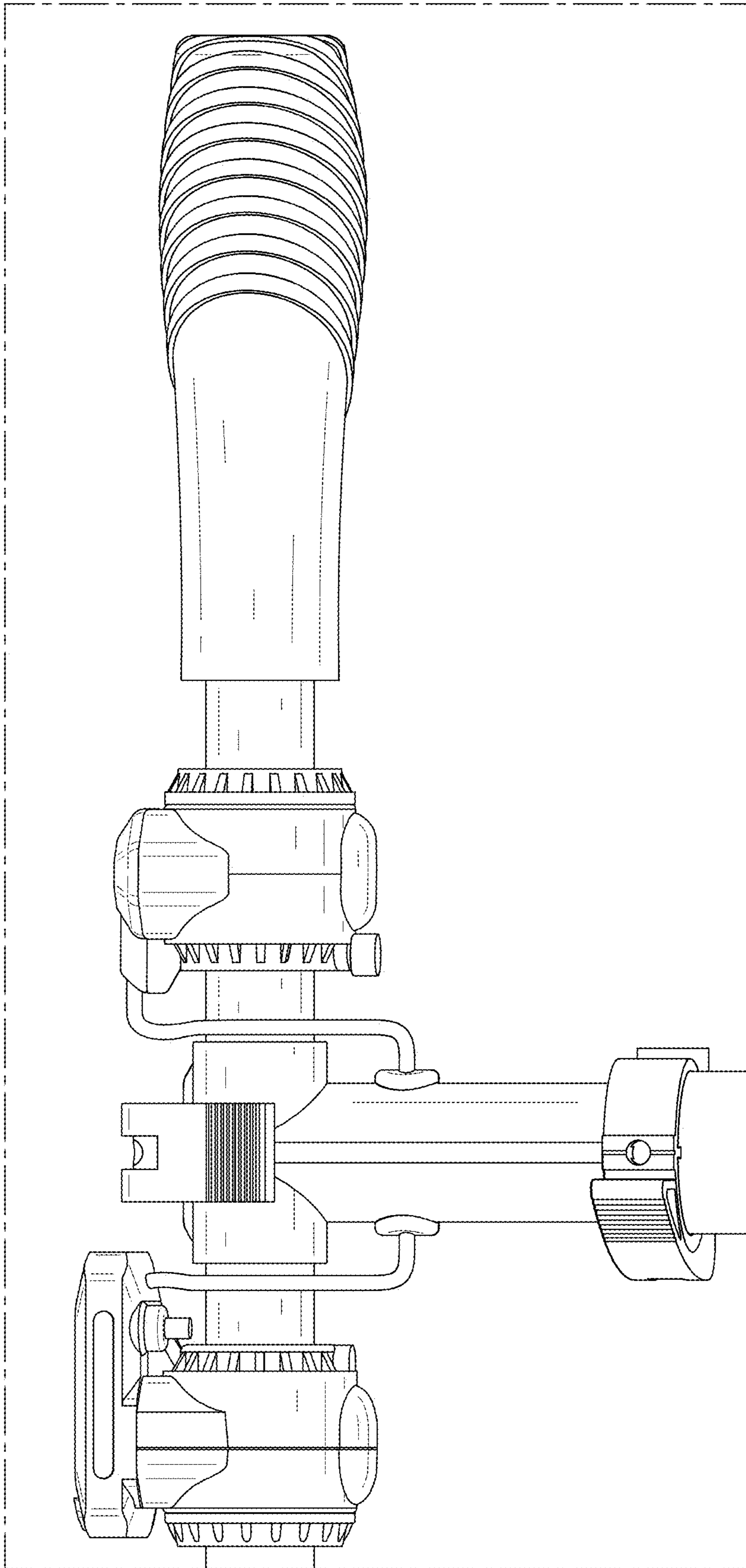


FIG. 14

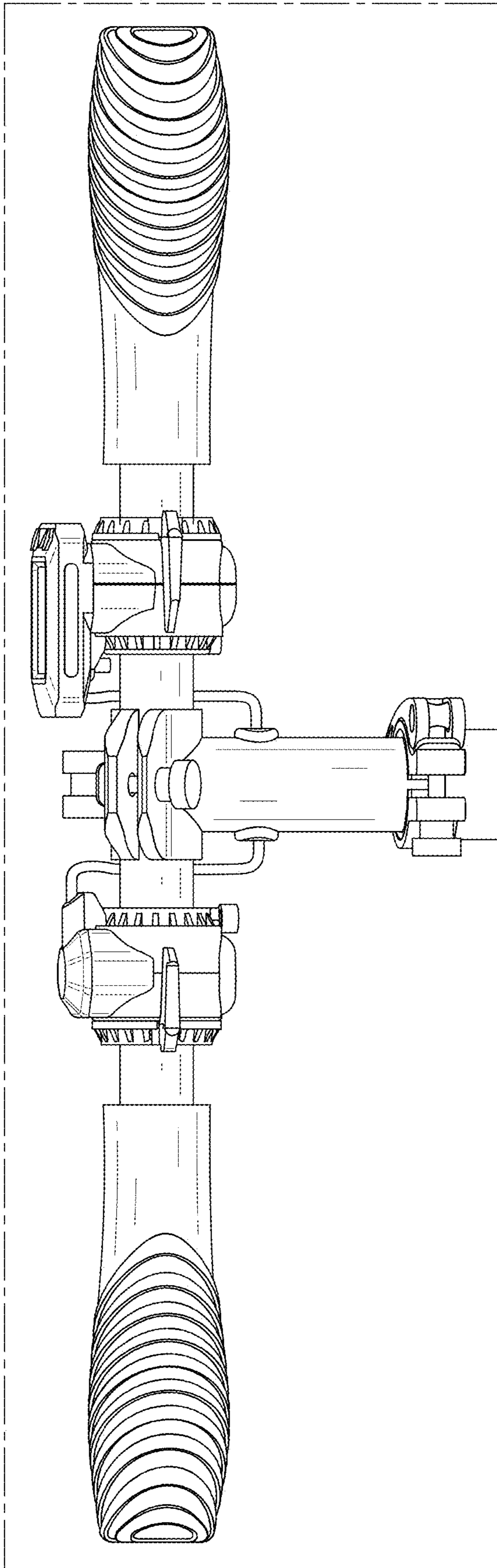


FIG. 15