



US00D905792S

(12) **United States Design Patent** (10) **Patent No.:** **US D905,792 S**
Baerlocher et al. (45) **Date of Patent:** **** Dec. 22, 2020**

(54) **ELECTRONIC GAMING STATION** 1,670,692 A * 5/1928 Rosar A63F 5/00
273/142 F
(71) Applicant: **IGT**, Las Vegas, NV (US) 2,036,718 A * 4/1936 Potter A63F 1/04
273/142 R
(72) Inventors: **Anthony Baerlocher**, Henderson, NV 2,077,124 A * 4/1937 Miller A63F 5/043
(US); **Kurt Larsen**, Las Vegas, NV 273/142 HA
(US); **John Zielinski**, Reno, NV (US) D163,281 S * 5/1951 Hauptenthal D21/375
2,721,082 A * 10/1955 Hunold A63F 5/02
273/142 F
(73) Assignee: **IGT**, Las Vegas, NV (US) 3,243,500 A * 3/1966 Rabinowitz H02G 15/18
174/84 R
(**) Term: **15 Years** 3,994,749 A * 11/1976 Decker H01M 2/1229
429/53
(21) Appl. No.: **29/688,618** D251,395 S * 3/1979 Kula D21/327
(Continued)

(22) Filed: **Apr. 23, 2019**
(51) **LOC (12) Cl.** **21-03**
(52) **U.S. Cl.**
USPC **D21/369**
(58) **Field of Classification Search**
USPC D21/369, 370, 371, 385, 329, 325, 394;
D14/307, 172, 129, 325, 401, 371, 126,
D14/439, 432, 450, 128, 375, 248, 374,
D14/341, 138 G, 127; 463/28, 13, 11,
463/16, 20, 25, 31, 46, 23, 30, 17, 36, 29,
463/42, 34, 32, 35, 19, 21, 22; 273/292,
273/203, 138.2, 143 R, 142 R, 138.1;
D19/60; D16/226; D8/335, 331, 334;
D26/141; D7/641
CPC .. G07F 17/3211; G07F 17/32; G07F 17/3213;
G07F 17/34; G07F 17/3267; G07F
17/3202; G07F 17/3262; G07F 17/3286;
G07F 17/3272; G07F 17/3216; G07F
17/322; A63F 9/0406; A63F 5/045; A63F
3/00157; A63F 5/02
See application file for complete search history.

(56) **References Cited**
U.S. PATENT DOCUMENTS
1,445,891 A * 2/1923 Johnson A63F 5/043
273/141 R
1,578,412 A * 3/1926 Ewig A63F 1/04
273/142 E

OTHER PUBLICATIONS

Diameter by allmodern dated no date given. Found online [Aug. 12, 2020] <https://www.allmodern.com/home-improvement/pdp/34-diameter-cylindrical-knob-tqs1061.html>.*

Primary Examiner — Ryan Harvey
(74) *Attorney, Agent, or Firm* — Sage Patent Group

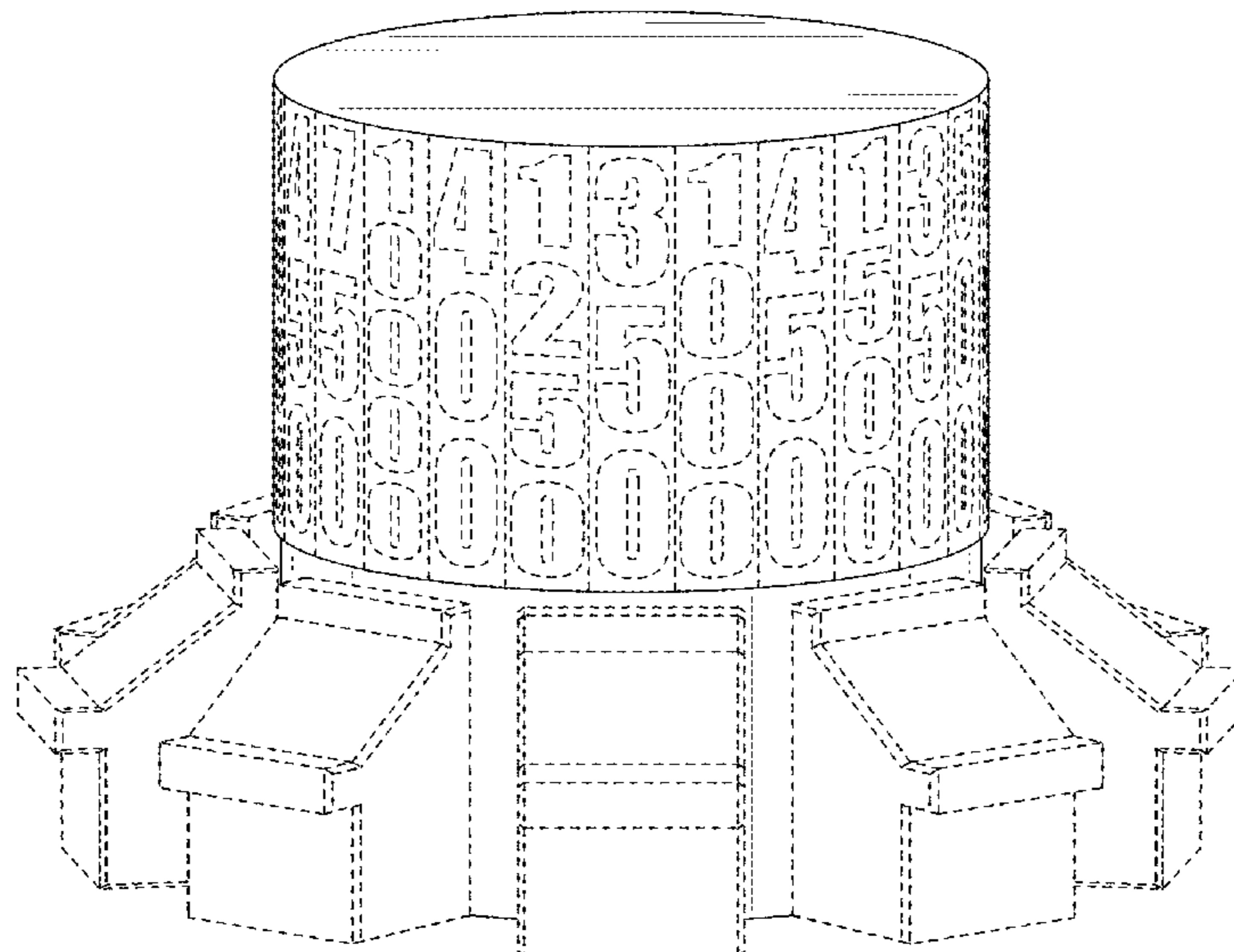
(57) **CLAIM**

The ornamental design for an electronic gaming station, as shown and described.

DESCRIPTION

FIG. 1 is a top rear perspective view of an electronic gaming station showing our new design;
FIG. 2 is a front view thereof;
FIG. 3 is a rear view thereof;
FIG. 4 is a left view thereof;
FIG. 5 is a right view thereof;
FIG. 6 is a top view thereof; and,
FIG. 7 is a bottom view thereof.
Dashed (broken) lines represent structure or features that form no part of the claimed design.

1 Claim, 7 Drawing Sheets



(56)

References Cited

U.S. PATENT DOCUMENTS

4,317,868 A *	3/1982	Spiegelberg	H01M 2/1205 429/82	7,862,422 B2 *	1/2011	Garamendi	G07F 17/34 463/20
4,373,556 A *	2/1983	Bergh	B29C 70/08 138/140	7,942,417 B2 *	5/2011	Smith	G07F 17/34 273/138.2
D270,362 S *	8/1983	de Gregorio	D21/375	8,100,754 B2 *	1/2012	Bigelow, Jr.	G07F 17/34 463/16
4,929,189 A *	5/1990	Sekiguchi	H01R 9/032 439/352	8,216,046 B2 *	7/2012	Ikeya	G07F 17/32 463/16
4,974,741 A *	12/1990	Gustafson	B65D 81/3886 206/486	8,246,445 B2 *	8/2012	Rodgers	G07F 17/32 463/16
5,022,549 A *	6/1991	Beaver	B60N 3/102 220/484	8,328,632 B2 *	12/2012	Cannon	G07F 17/42 463/17
5,088,673 A *	2/1992	Chandler	B60N 3/103 215/386	8,419,526 B1 *	4/2013	Cannon	G07F 17/32 463/25
5,314,414 A *	5/1994	Hake	A61M 5/3243 604/197	D690,773 S *	10/2013	Miller	D21/370
D368,410 S *	4/1996	Shiner	D7/608	D696,355 S *	12/2013	MacDonald	D21/375
D369,850 S *	5/1996	Cammack	D23/209	8,808,094 B2 *	8/2014	DeSimone	G07F 17/3216 463/30
D376,825 S *	12/1996	Hanscom	D21/324	D714,392 S *	9/2014	Arabian	D21/369
5,688,294 A *	11/1997	Mizuno	H01M 2/0413 29/623.2	8,956,216 B1 *	2/2015	LeSourd	G07F 17/3213 463/20
5,709,105 A *	1/1998	Palermo	B60N 3/102 220/739	D729,321 S *	5/2015	Arabian	D21/369
5,743,523 A *	4/1998	Kelly	A63F 7/0058 273/118 A	9,183,699 B2	11/2015	Fujimori et al.	
5,755,619 A *	5/1998	Matsumoto	A63F 3/062 273/269	D784,138 S *	4/2017	Kim	D9/503
D397,161 S *	8/1998	Hanscom	D21/369	D793,498 S *	8/2017	Manus	D21/699
D400,235 S *	10/1998	Jukes	D21/329	9,728,031 B2 *	8/2017	Schultz	G07F 17/3272
5,879,235 A *	3/1999	Kaneko	A63F 5/0005 273/142 R	9,849,367 B2 *	12/2017	Jones	A63F 1/12
5,947,472 A *	9/1999	Tang	A63F 3/00157 273/142 R	9,999,830 B2 *	6/2018	Fisher	A63F 5/02
5,987,913 A *	11/1999	Andrzejczak	A47G 19/02 215/12.1	D826,055 S *	8/2018	Augustyniak	D9/504
D424,111 S *	5/2000	Bell	D19/187	D843,469 S *	3/2019	Nettenstrom	D21/369
6,224,483 B1 *	5/2001	Mayeroff	G07F 17/32 463/16	D847,299 S *	4/2019	Thompson	D23/200
D460,120 S *	7/2002	Lynch	D21/325	D876,186 S *	2/2020	Marantis	D7/700
D479,995 S *	9/2003	Duceppe	D9/434	D880,605 S *	4/2020	Bussey	D21/369
D486,869 S *	2/2004	Webb	D21/370	2003/0027628 A1 *	2/2003	Luciano	G07F 17/32 463/20
D520,071 S *	5/2006	Seelig	D21/370	2003/0148804 A1 *	8/2003	Ikeya	G07F 17/3211 463/16
D520,072 S *	5/2006	Seelig	D21/370	2003/0153385 A1 *	8/2003	Ikeya	G07F 17/34 463/31
D523,908 S *	6/2006	Hedrick	D11/163	2004/0048645 A1 *	3/2004	Webb	G07F 17/3202 463/16
D524,380 S *	7/2006	Seelig	D21/370	2005/0192090 A1 *	9/2005	Muir	G07F 17/3211 463/30
D529,965 S *	10/2006	Hedrick	D21/370	2006/0046821 A1 *	3/2006	Kaminkow	G07F 17/326 463/16
7,311,598 B2	12/2007	Kaminkow et al.		2008/0146331 A1 *	6/2008	Nordman	G07F 17/32 463/31
D572,770 S *	7/2008	Seelig	D21/370	2008/0227530 A1 *	9/2008	LeMay	G07F 17/3211 463/22
7,461,842 B2 *	12/2008	Wu	A63F 5/045 273/138.1	2012/0115563 A1 *	5/2012	Kido	G07F 17/3262 463/17
D590,025 S *	4/2009	Fiore	D21/370	2012/0122545 A1 *	5/2012	Watkins	G07F 17/3211 463/20
D591,360 S *	4/2009	Fiore	D21/370				

* cited by examiner

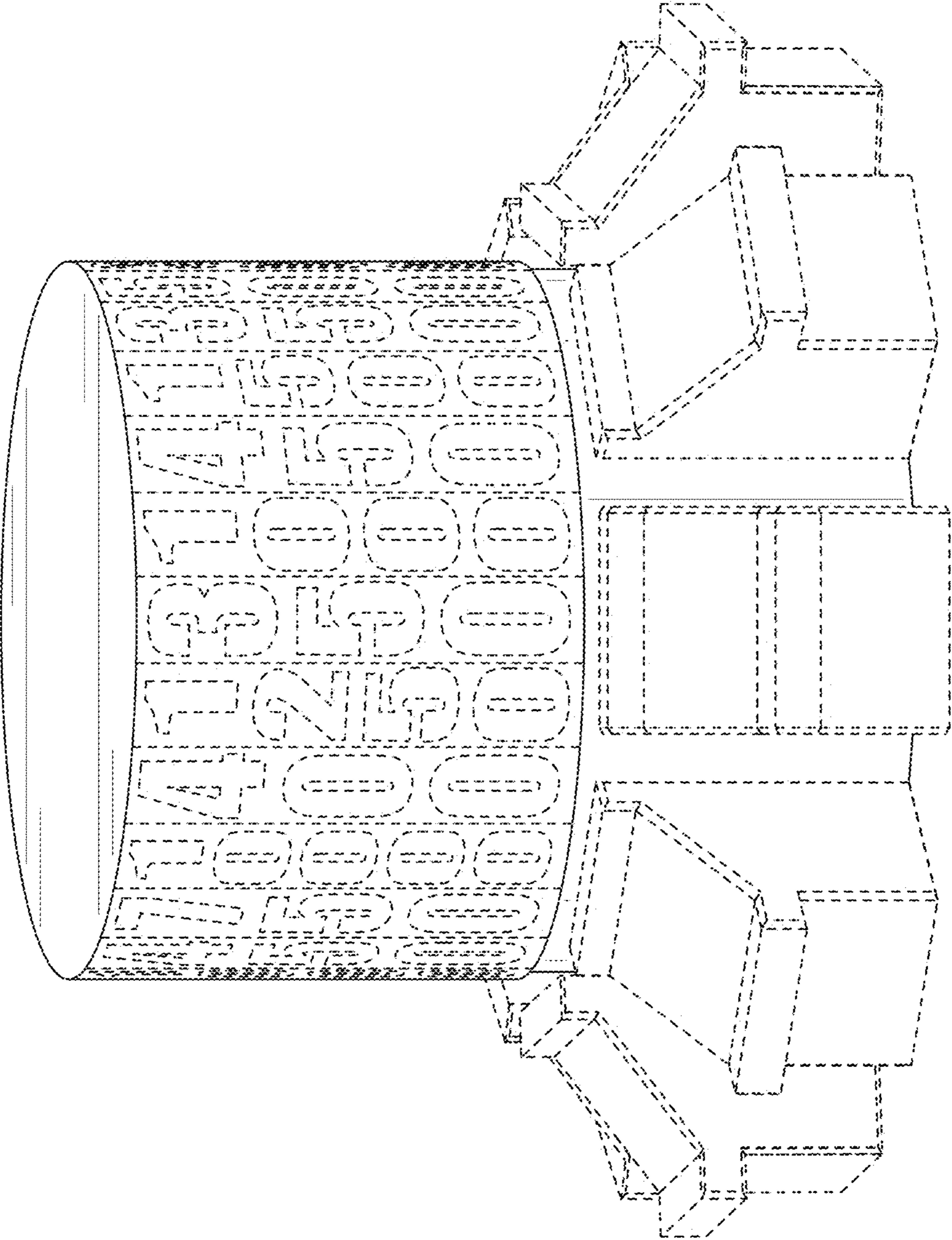


FIG. 1

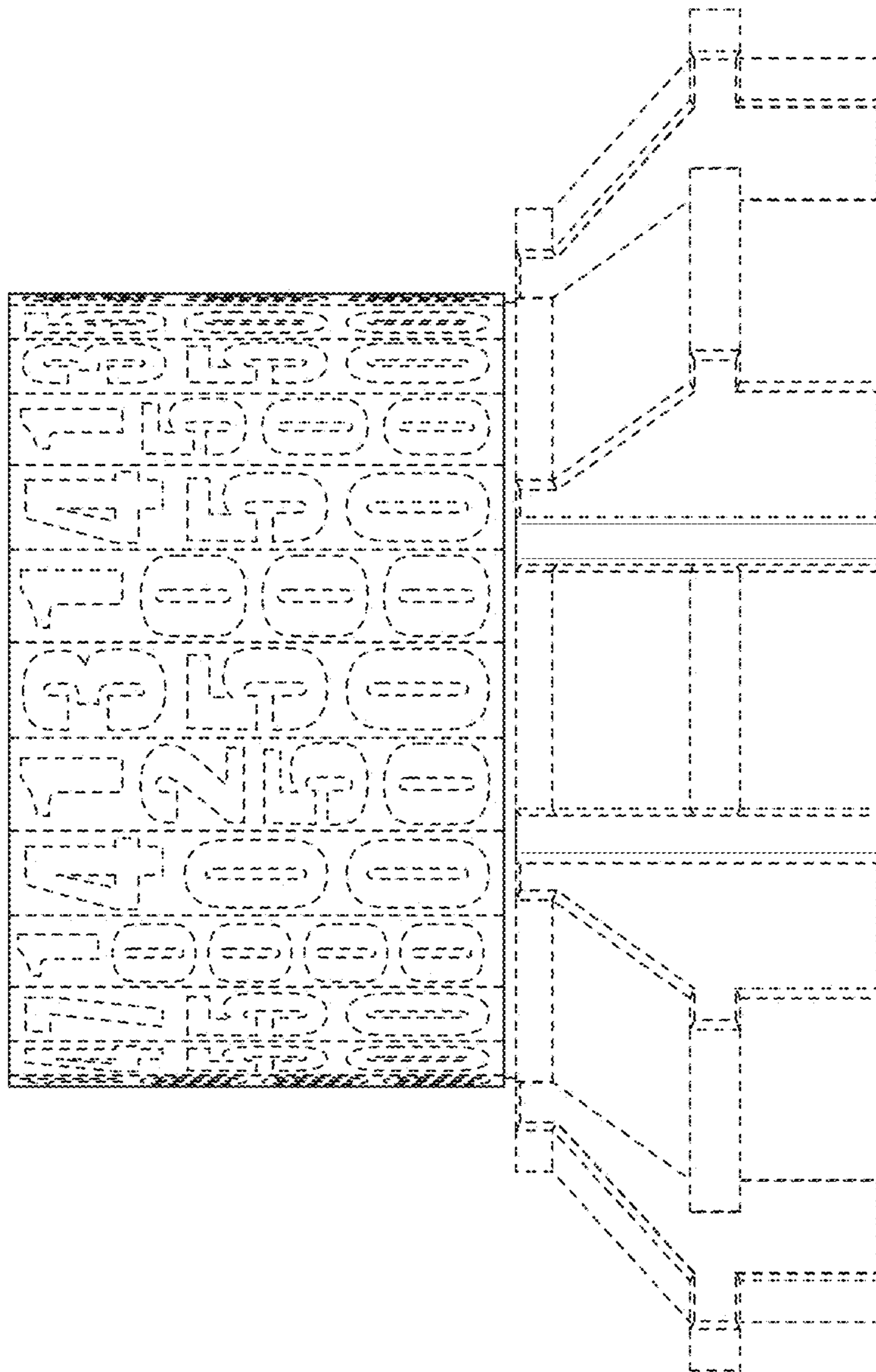


FIG. 2

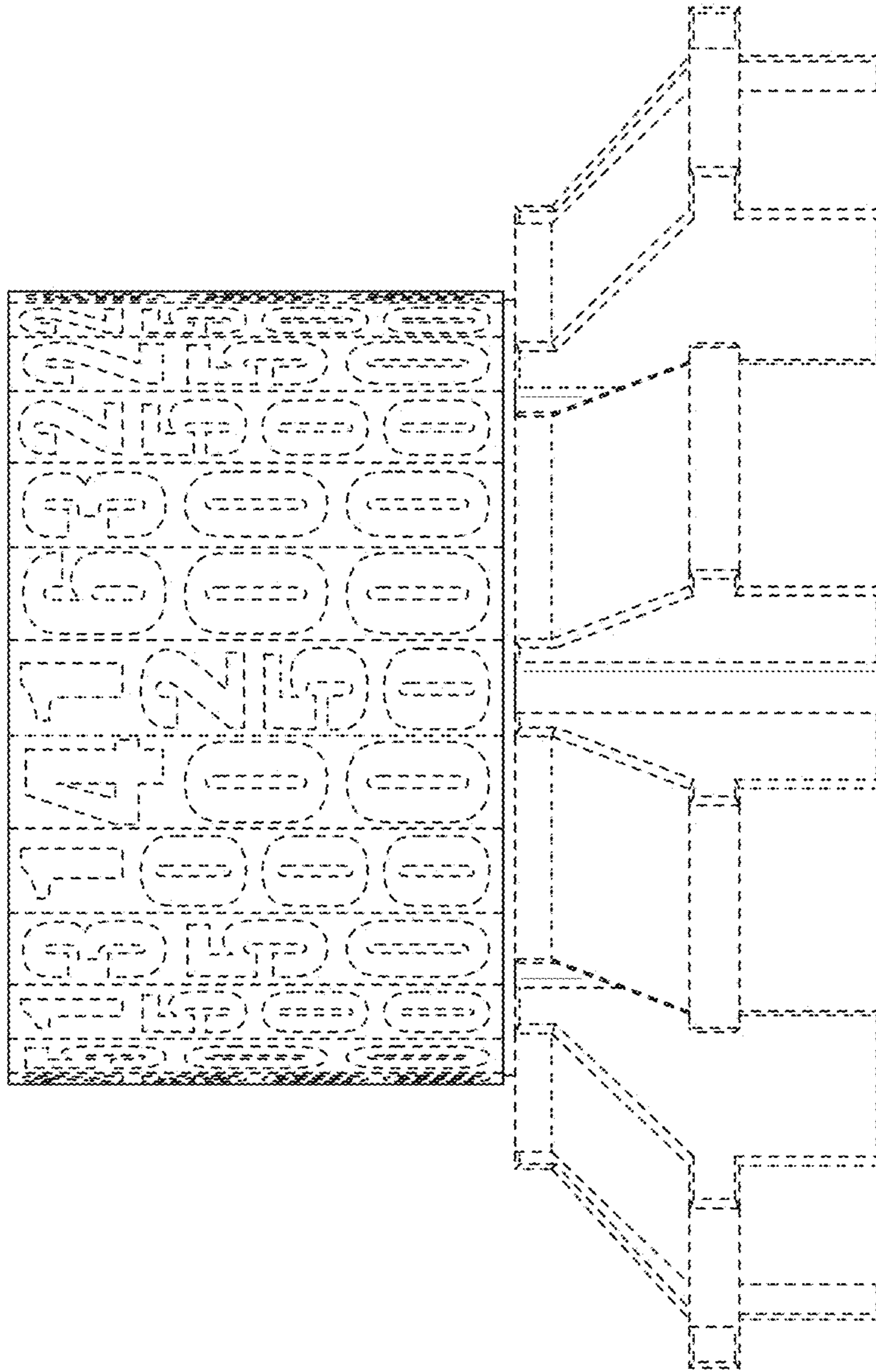


FIG. 3

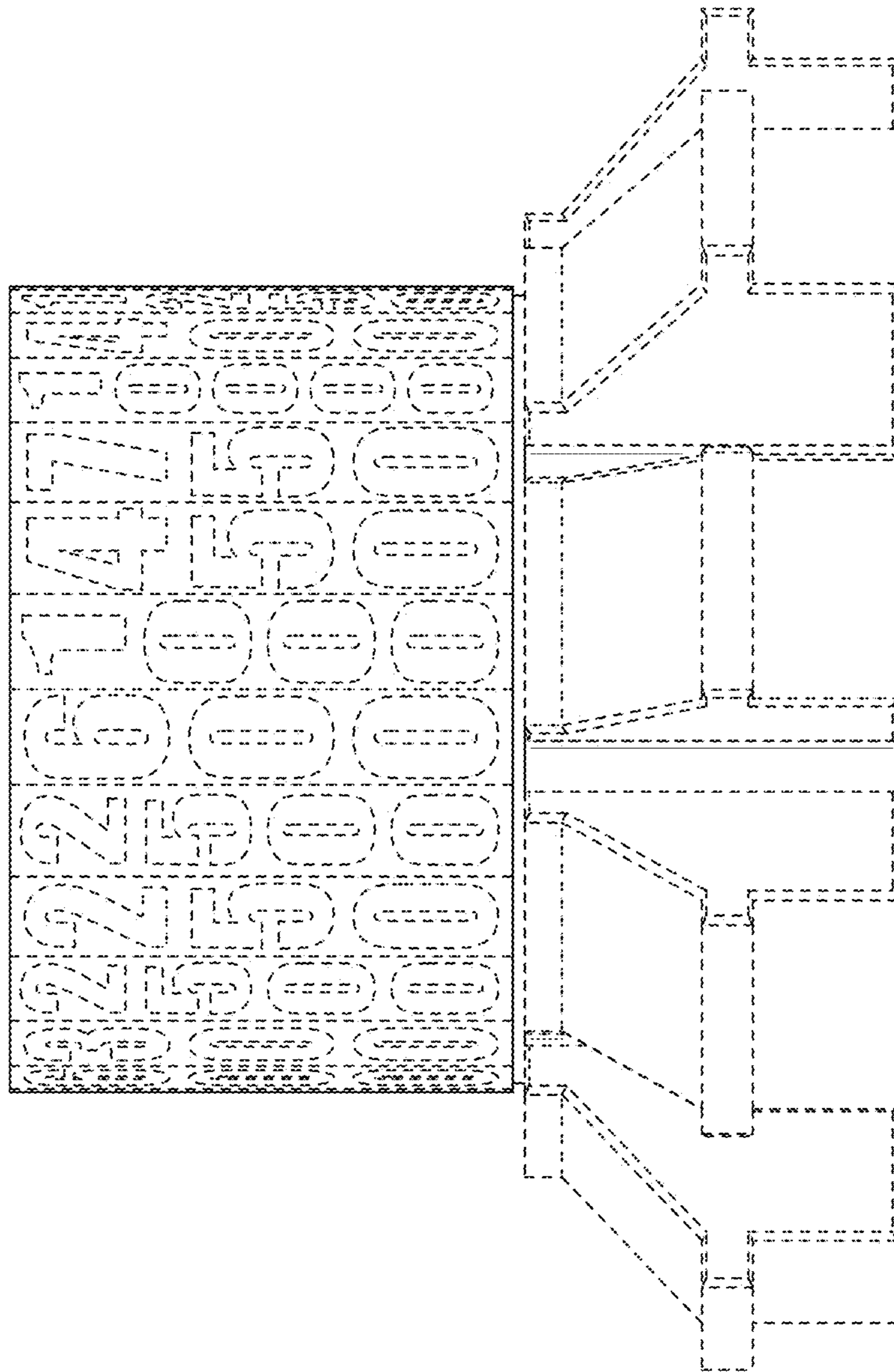


FIG. 4

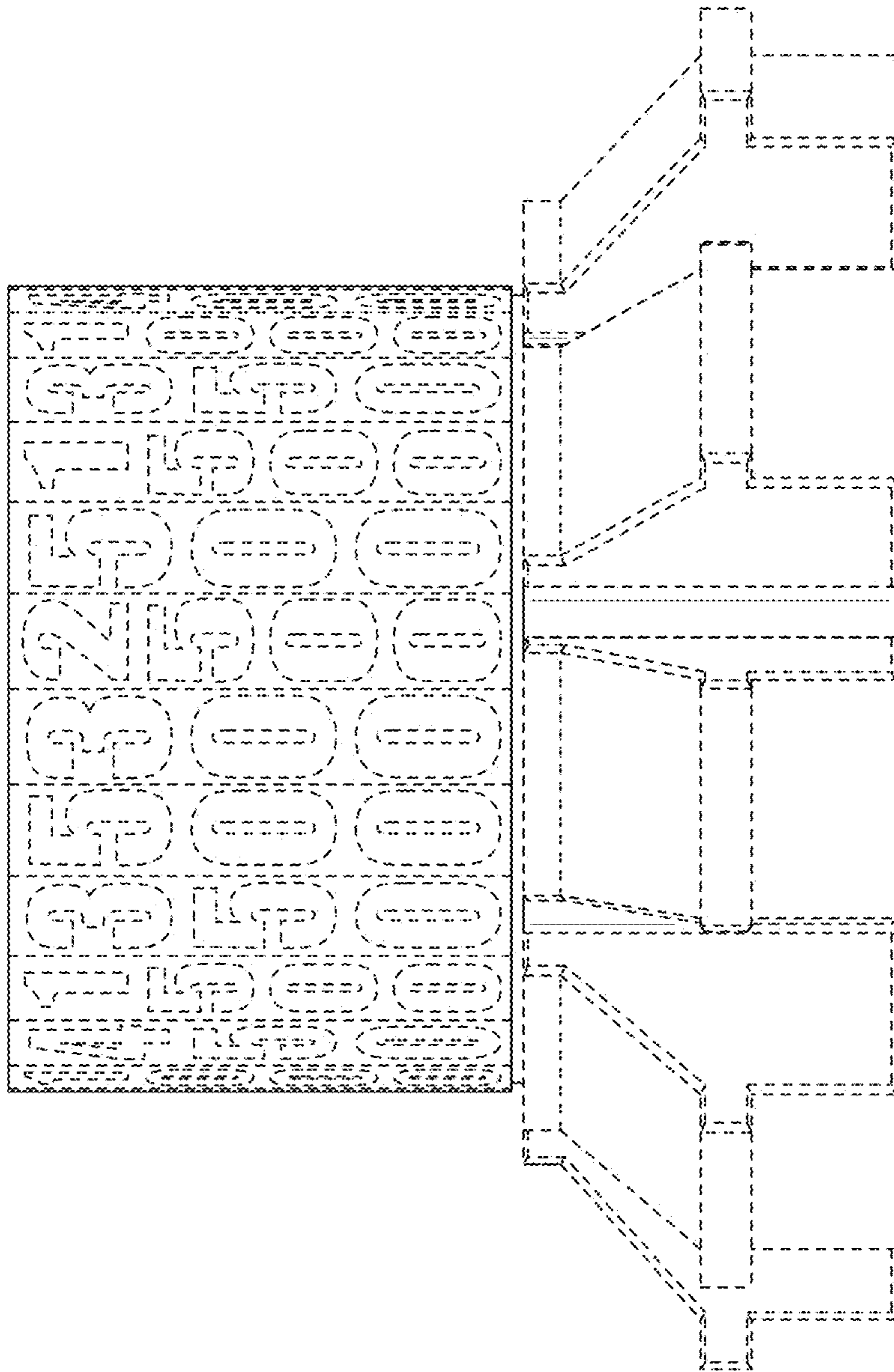


FIG. 5

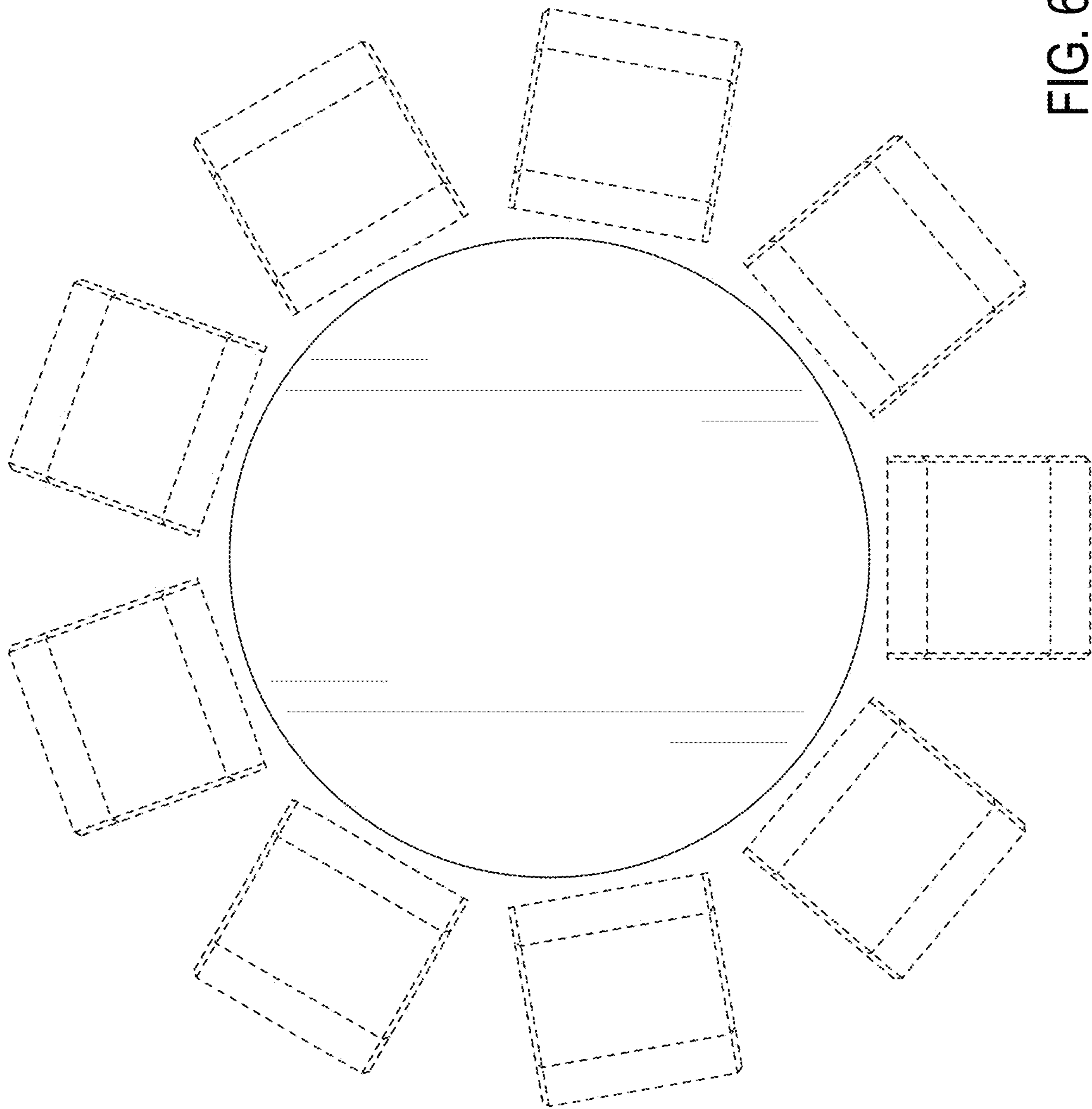


FIG. 6

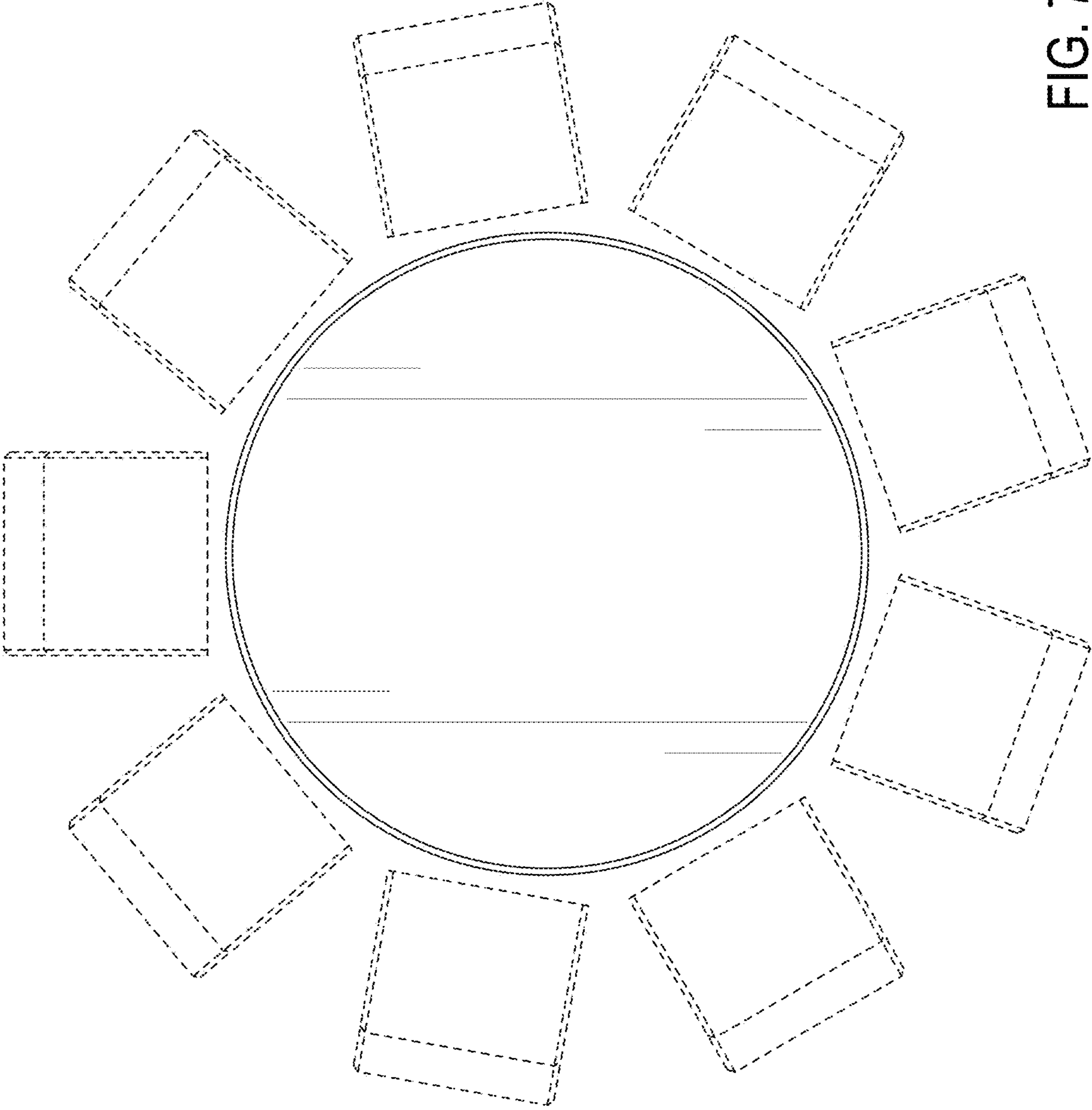


FIG. 7