



US00D905791S

(12) **United States Design Patent** (10) **Patent No.:** **US D905,791 S**
French et al. (45) **Date of Patent:** **** Dec. 22, 2020**

(54) **GAME BALL SPINNER**
(71) Applicant: **TCS John Huxley Europe Limited**,
Stoke-on-Trent (GB)
(72) Inventors: **Nicholas Richard Baker French**,
Stoke-on-Trent (GB); **Andrew Michael**
Saunders, Stoke-on-Trent (GB)
(73) Assignee: **TCS John Huxley Europe Limited**,
Stoke-on-Trent (GB)
(**) Term: **15 Years**
(21) Appl. No.: **29/667,288**
(22) Filed: **Oct. 19, 2018**
(30) **Foreign Application Priority Data**

Apr. 20, 2018 (EM) 005242294
(51) **LOC (12) Cl.** **21-03**
(52) **U.S. Cl.**
USPC **D21/369**
(58) **Field of Classification Search**
USPC D21/369, 370, 371, 385, 329, 325, 394;
D14/307, 172, 129, 325, 401, 371, 126,
D14/439, 432, 450, 128, 375, 248, 374,
D14/341, 138 G, 127; 463/28, 13, 11,
463/16, 20, 25, 31, 46, 23, 30, 17, 36, 29,
463/42, 34, 32, 35, 19, 21, 22; 273/292,
273/203, 138.2, 143 R, 142 R, 138.1;
D19/60; D16/226; D8/335, 331, 334;
D26/141; D7/641
CPC .. G07F 17/3211; G07F 17/32; G07F 17/3213;
G07F 17/34; G07F 17/3267; G07F
17/3202; G07F 17/3262; G07F 17/3286;
(Continued)

(56) **References Cited**
U.S. PATENT DOCUMENTS
D117,294 S * 10/1939 Sharp D21/347
2,693,962 A * 11/1954 Stevens G07F 17/3213
273/145 D
(Continued)

Primary Examiner — Ryan Harvey
(74) *Attorney, Agent, or Firm* — Fliet Intellectual
Property Law; Paul D. Bianco; Gary S. Winer

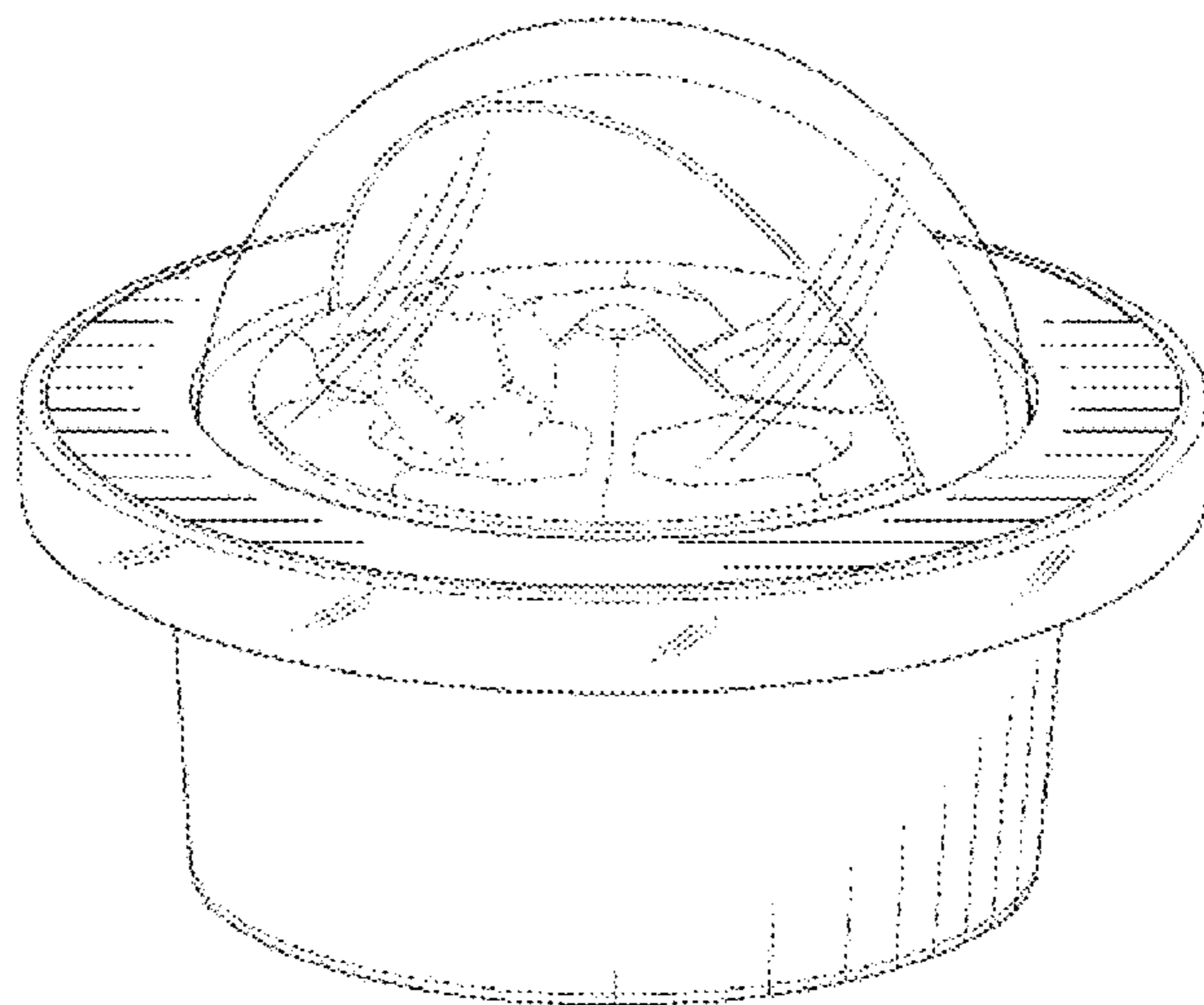
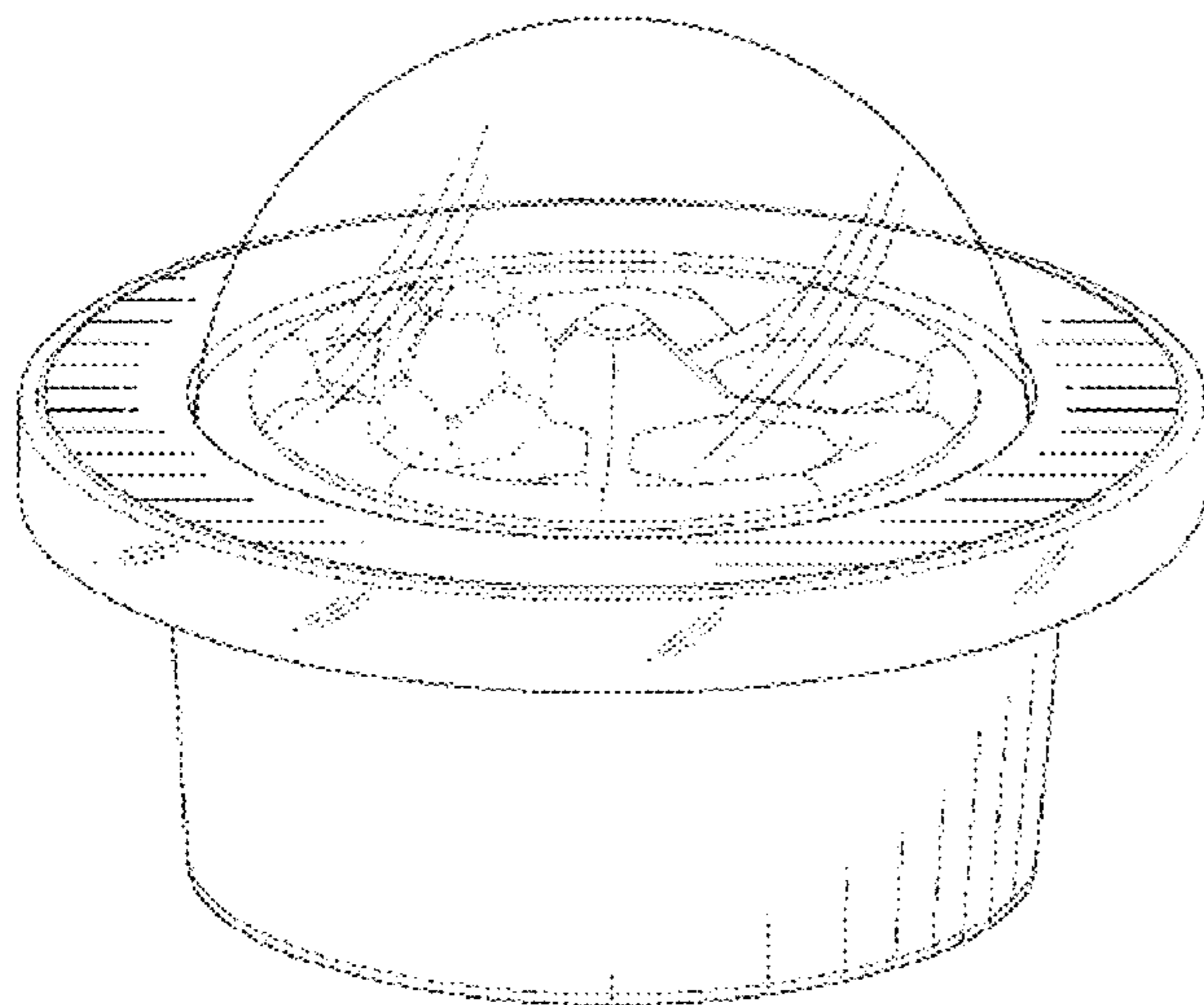
(57) **CLAIM**

The ornamental design for a game ball spinner, as shown and described.

DESCRIPTION

FIG. 1 is a front view of a first embodiment of a game ball spinner according to the present invention;
FIG. 2 is a back view of the game ball spinner of FIG. 1;
FIG. 3 is a first side view of the game ball spinner of FIG. 1;
FIG. 4 is a second side view of the game ball spinner of FIG. 1;
FIG. 5 is a top view of the game ball spinner of FIG. 1;
FIG. 6 is a bottom view of the game ball spinner of FIG. 1;
FIG. 7 is a front perspective view of the game ball spinner of FIG. 1;
FIG. 8 is a front view of a second embodiment of a game ball spinner according to the present invention;
FIG. 9 is a back view of the game ball spinner of FIG. 8;
FIG. 10 is a first side view of the game ball spinner of FIG. 8;
FIG. 11 is a second side view of the game ball spinner of FIG. 8;
FIG. 12 is a top view of the game ball spinner of FIG. 8;
FIG. 13 is a bottom view of the game ball spinner of FIG. 8; and,
FIG. 14 is a front perspective view of the game ball spinner of FIG. 8.
The features shown in broken lines in the drawings depict environmental subject matter only and form no part of the claimed design.

1 Claim, 10 Drawing Sheets



(58) **Field of Classification Search**
 CPC G07F 17/3272; G07F 17/3216; G07F
 17/322; A63F 9/0406; A63F 5/045; A63F
 3/00157; A63F 5/02
 See application file for complete search history.

(56) **References Cited**
 U.S. PATENT DOCUMENTS

4,114,290 A * 9/1978 Cooper A63F 3/0415
 273/145 CA
 5,885,157 A * 3/1999 Harada A63F 9/04
 273/145 A
 6,596,351 B1 * 7/2003 Thompson A63F 9/04
 273/146
 D482,407 S * 11/2003 Seelig D21/370
 7,371,172 B2 * 5/2008 Inoue G07F 17/3211
 273/138.1
 7,780,166 B1 * 8/2010 Paxton A63F 1/04
 273/145 C

8,079,593 B2 * 12/2011 Nicely A63F 9/0406
 273/145 CA
 8,215,640 B2 * 7/2012 Sasaki G07F 17/322
 273/145 D
 8,851,475 B2 * 10/2014 Nordahl A63F 9/0406
 273/145 C
 9,576,438 B2 * 2/2017 MacDonald G07F 17/3293
 9,685,043 B2 * 6/2017 Naicker G07F 17/326
 D862,603 S * 10/2019 Vandembroucke D21/372
 2008/0246214 A1 * 10/2008 Toyoda G07F 17/3211
 273/146
 2008/0248864 A1 * 10/2008 Toyoda G07F 17/3211
 463/22
 2009/0256310 A1 * 10/2009 Sanchez A63F 9/0406
 273/145 D
 2014/0203504 A1 * 7/2014 MacDonald A63F 5/00
 273/142 E
 2014/0319769 A1 * 10/2014 MacDonald G07F 17/3202
 273/142 E

* cited by examiner

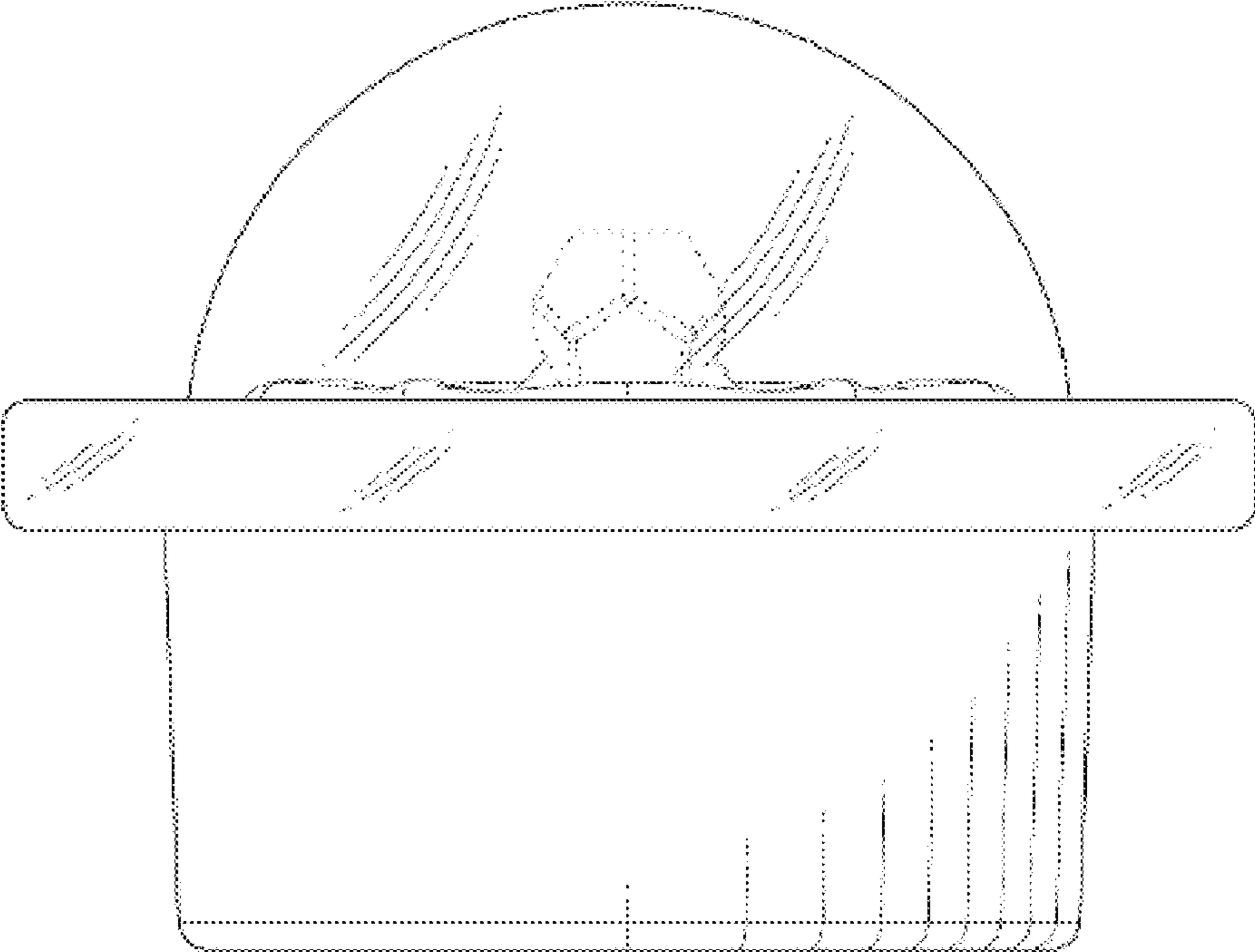


FIG. 1

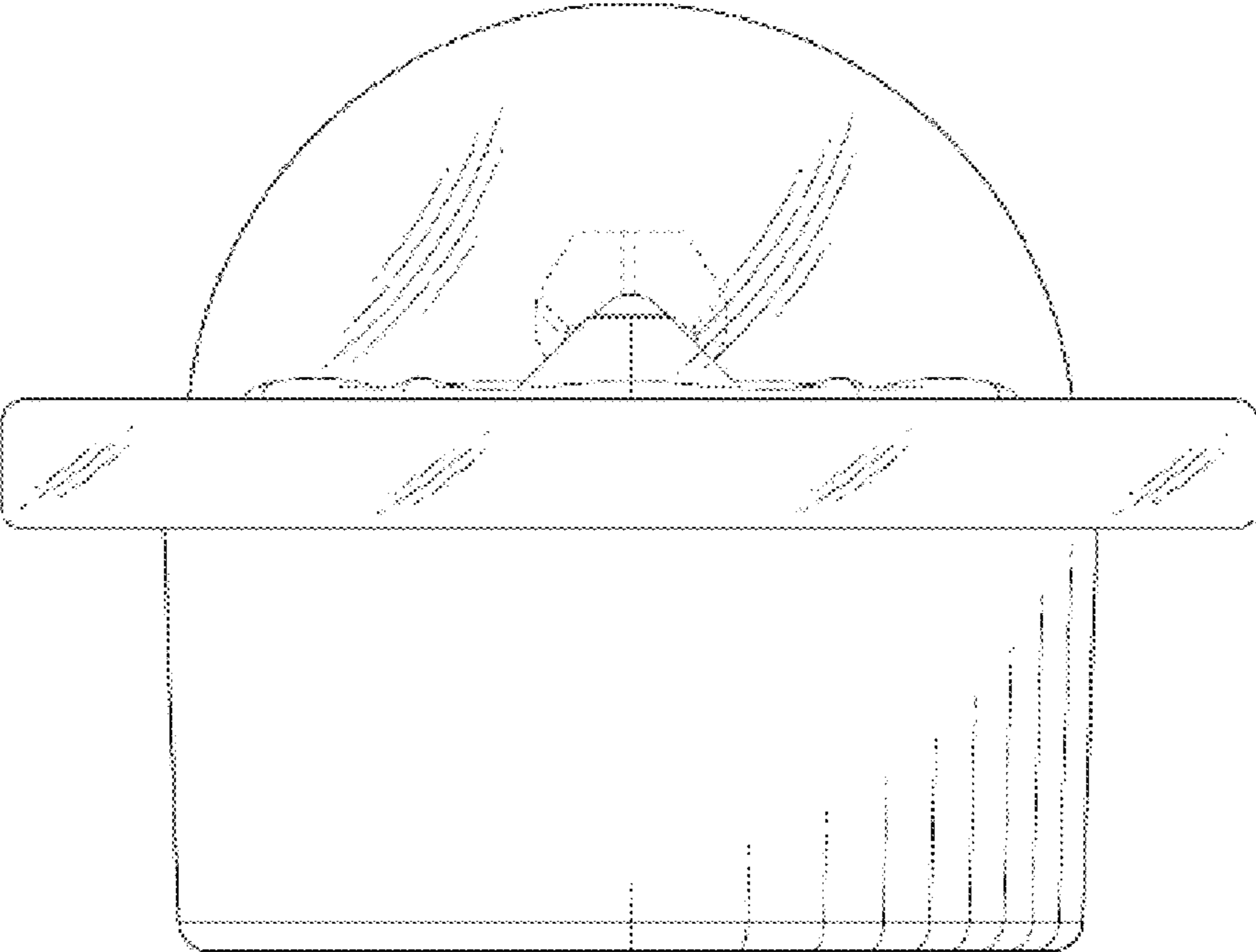


FIG. 2

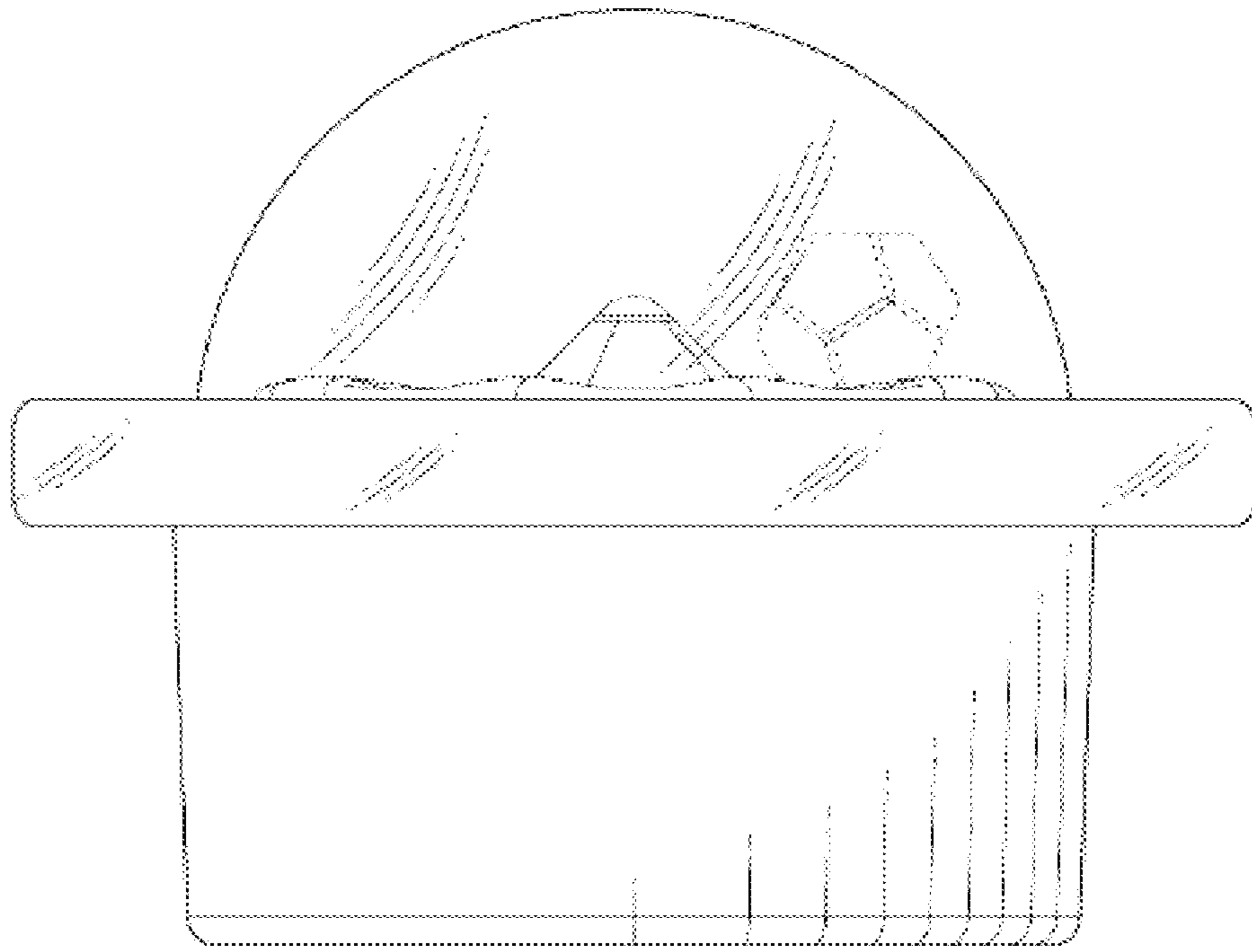


FIG. 3

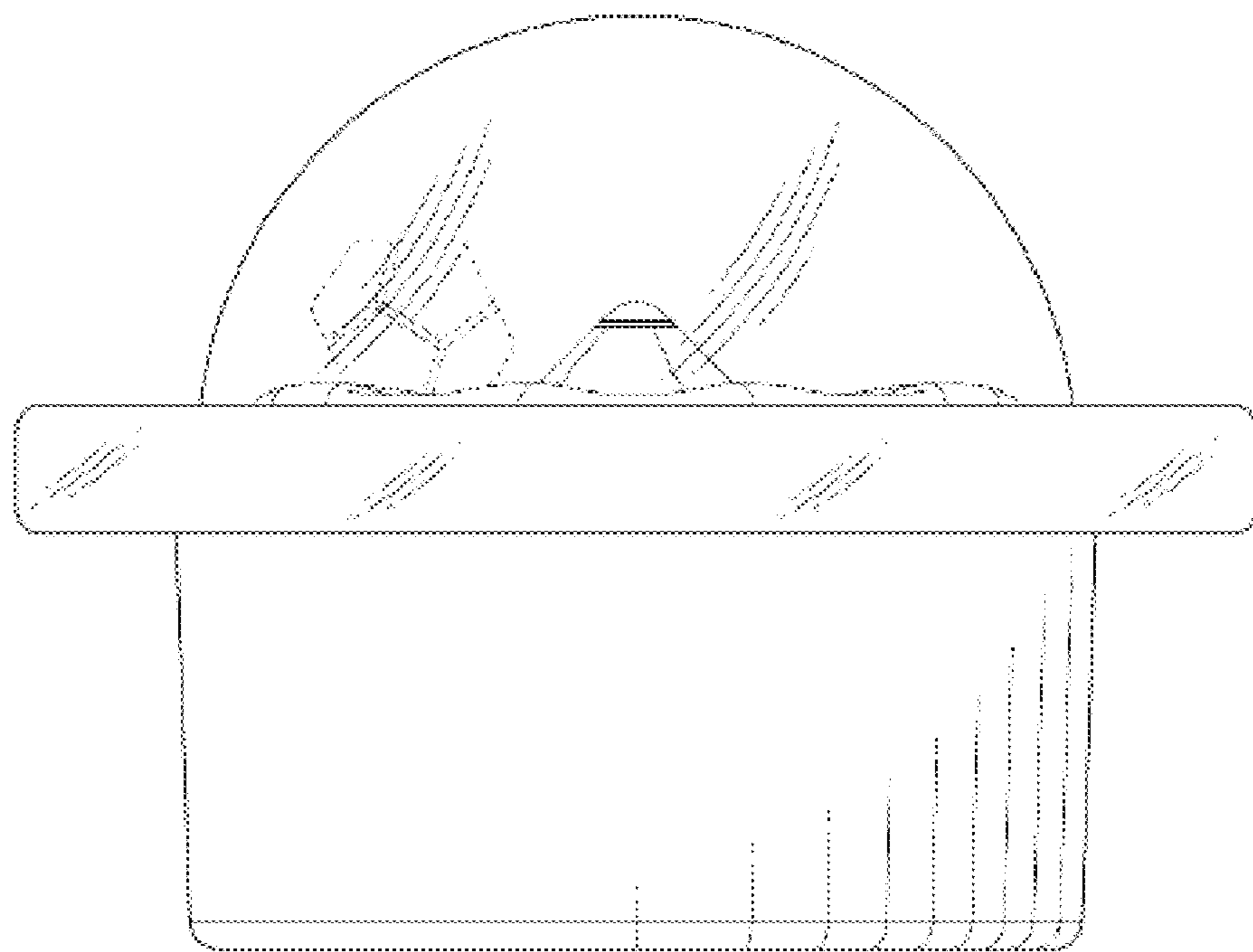


FIG. 4

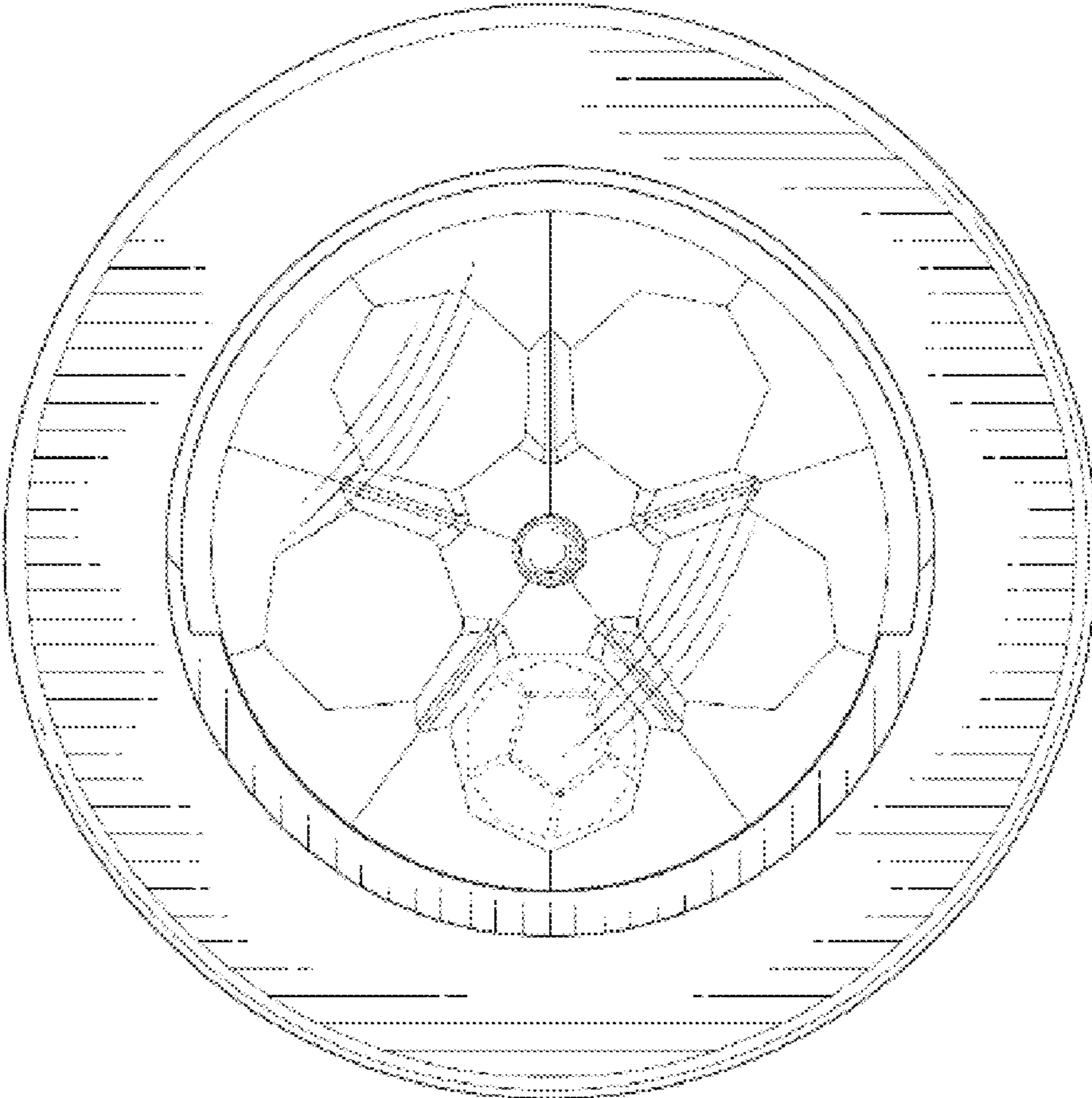


FIG. 5

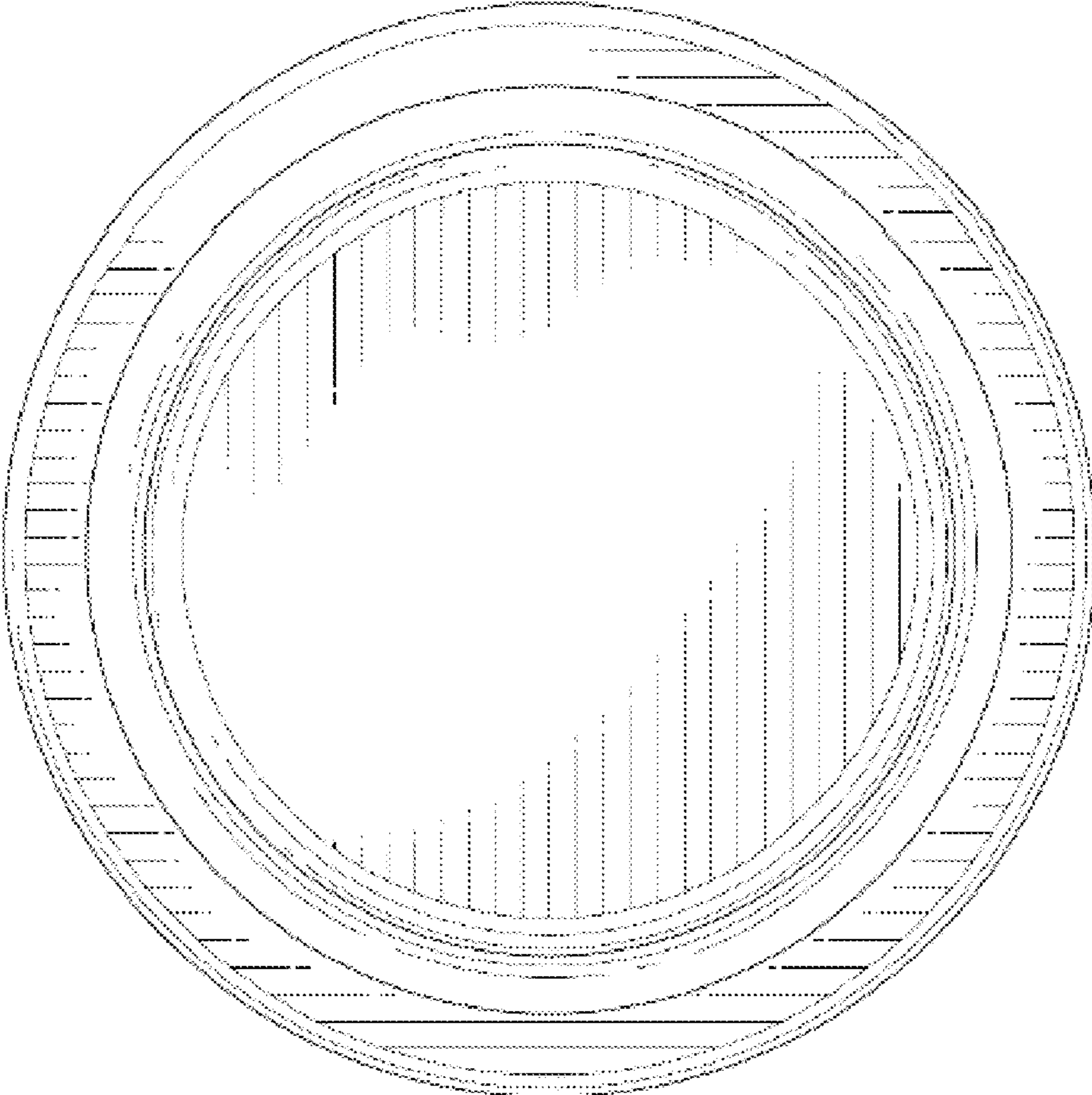


FIG. 6

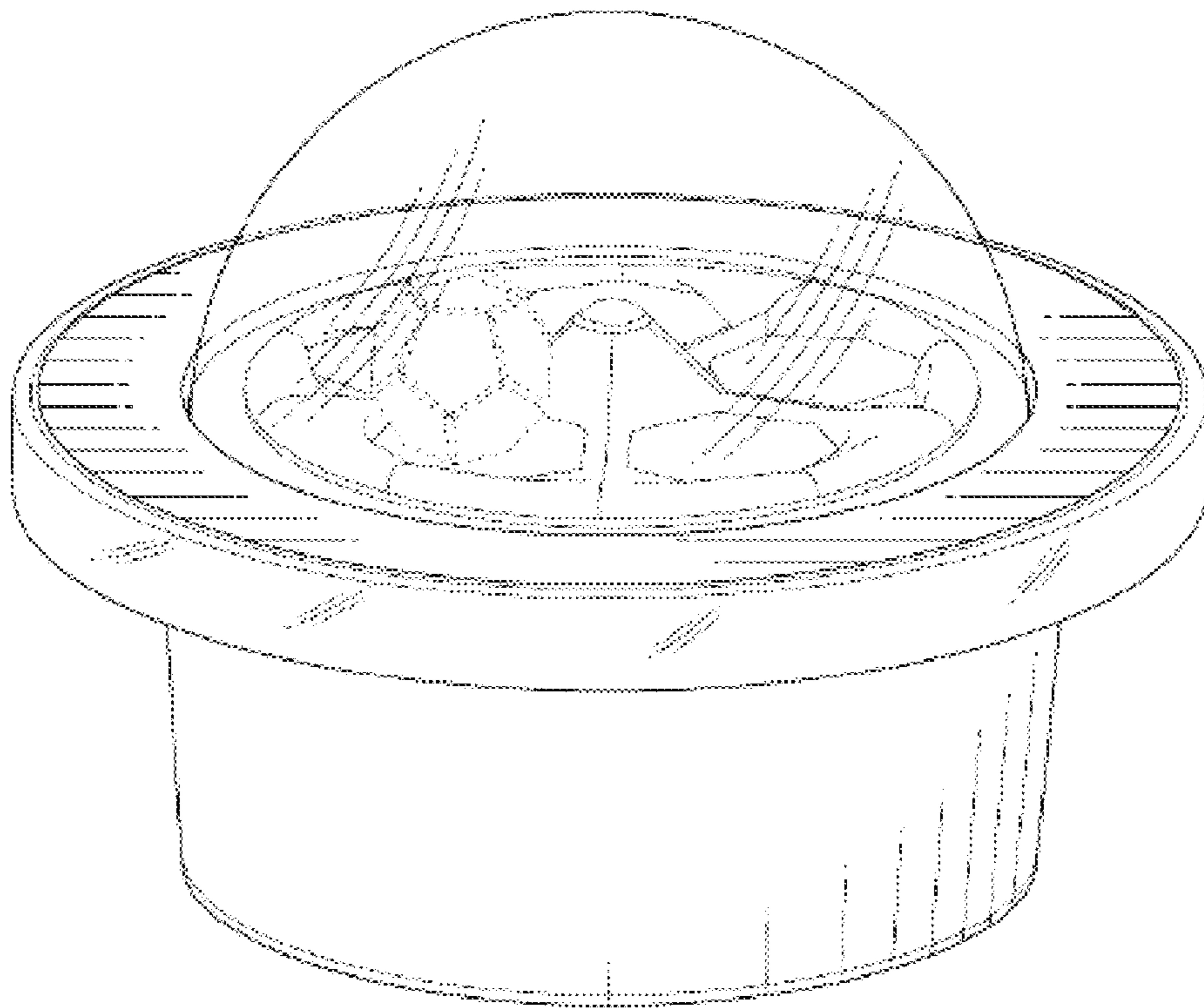


FIG. 7

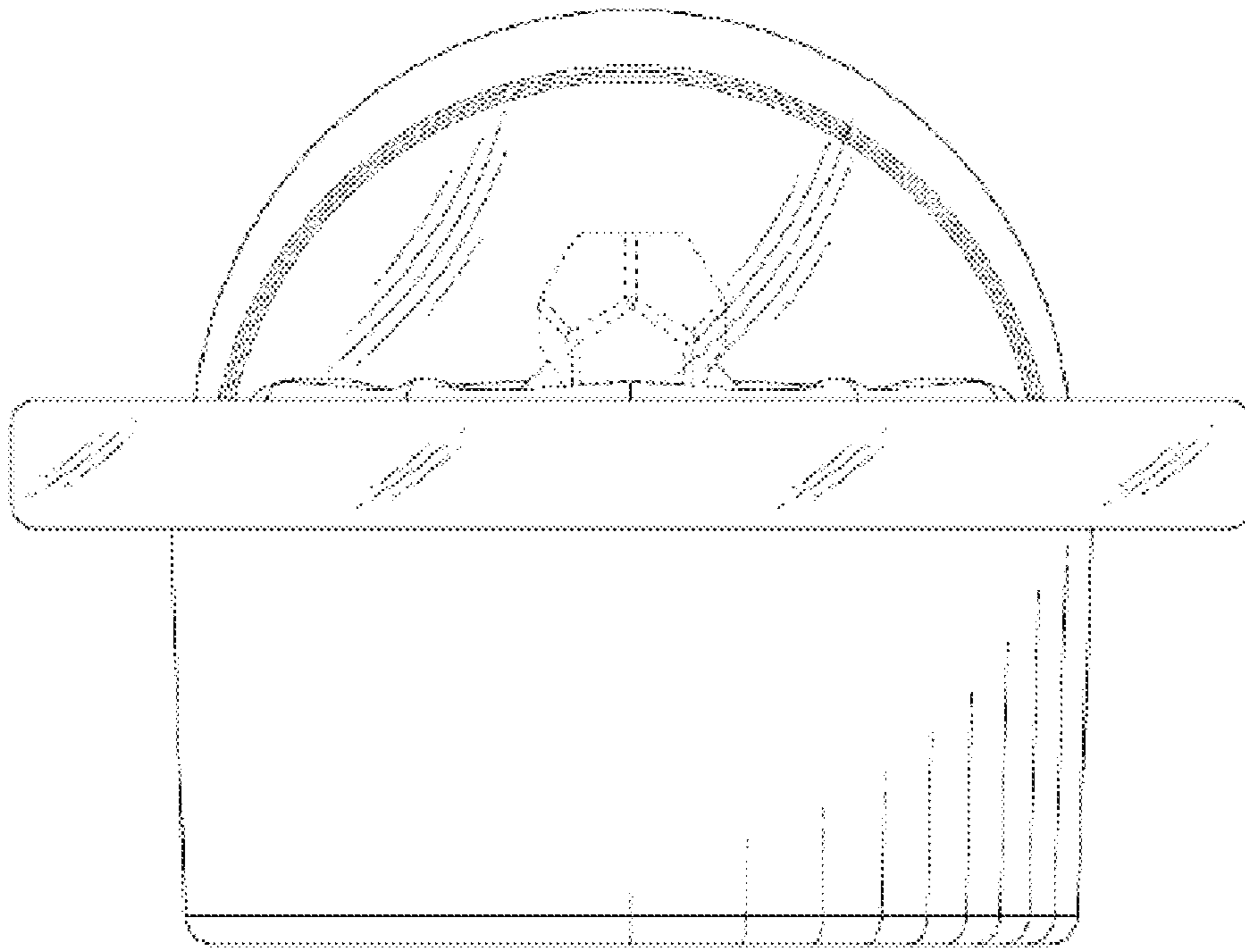


FIG. 8

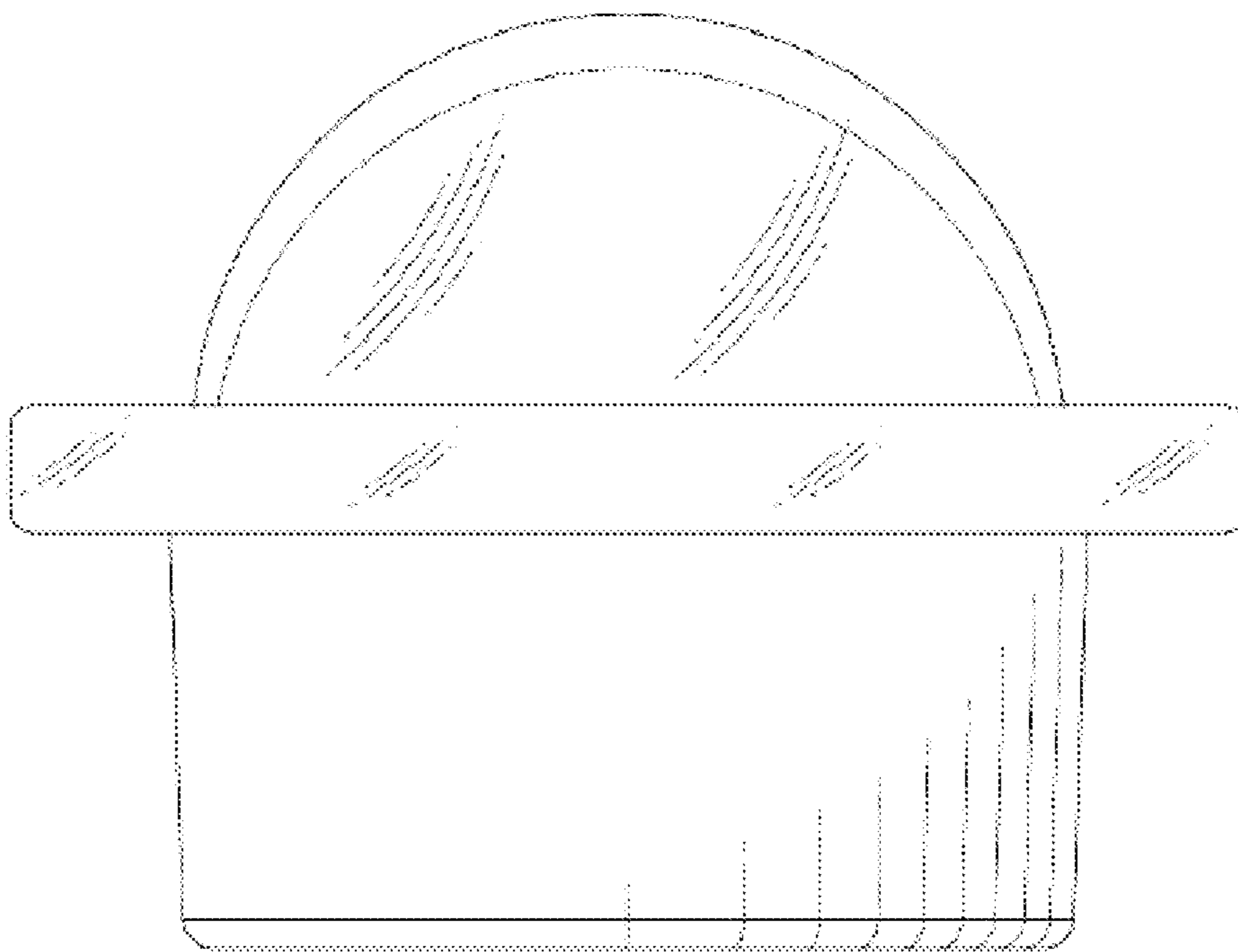


FIG. 9

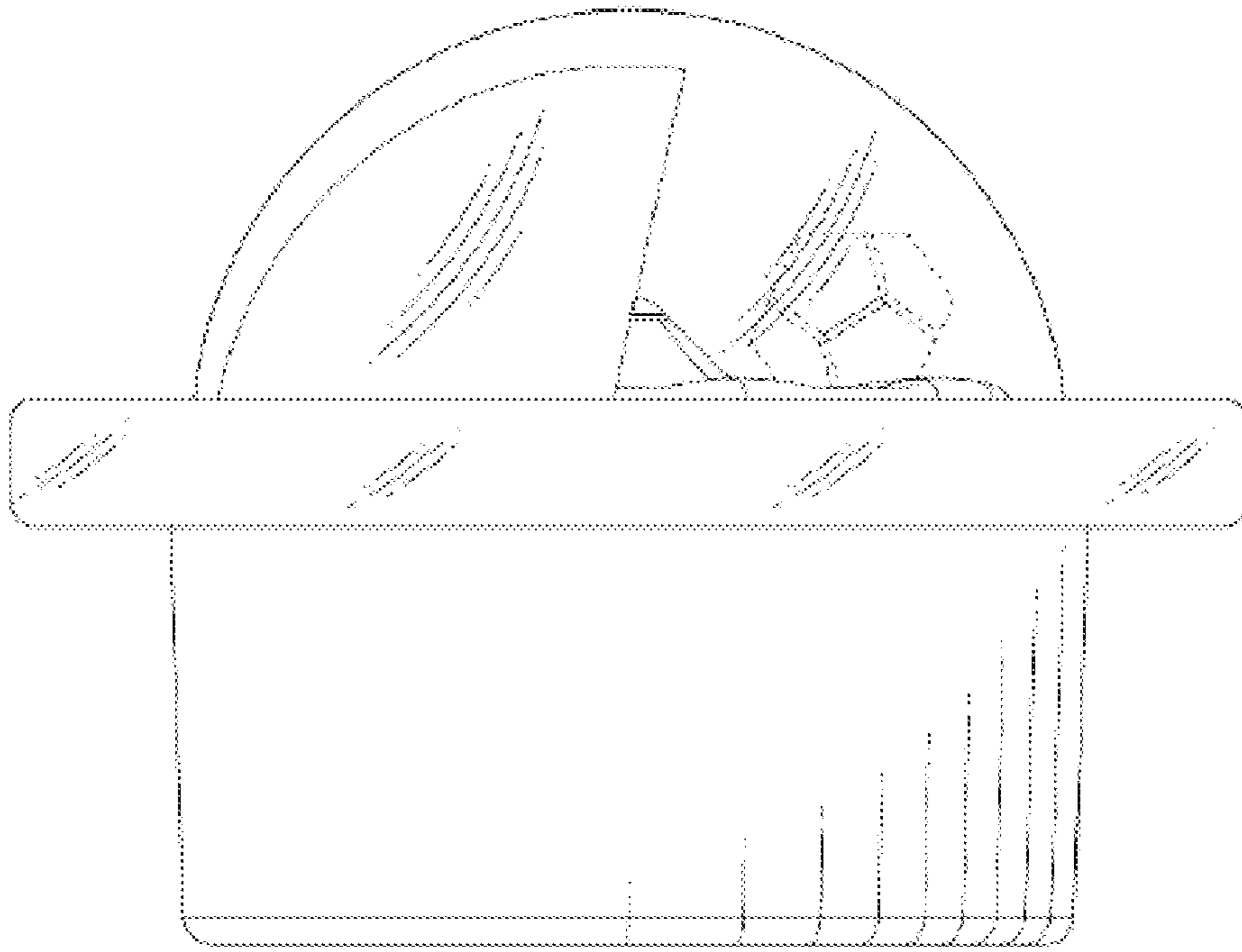


FIG. 10

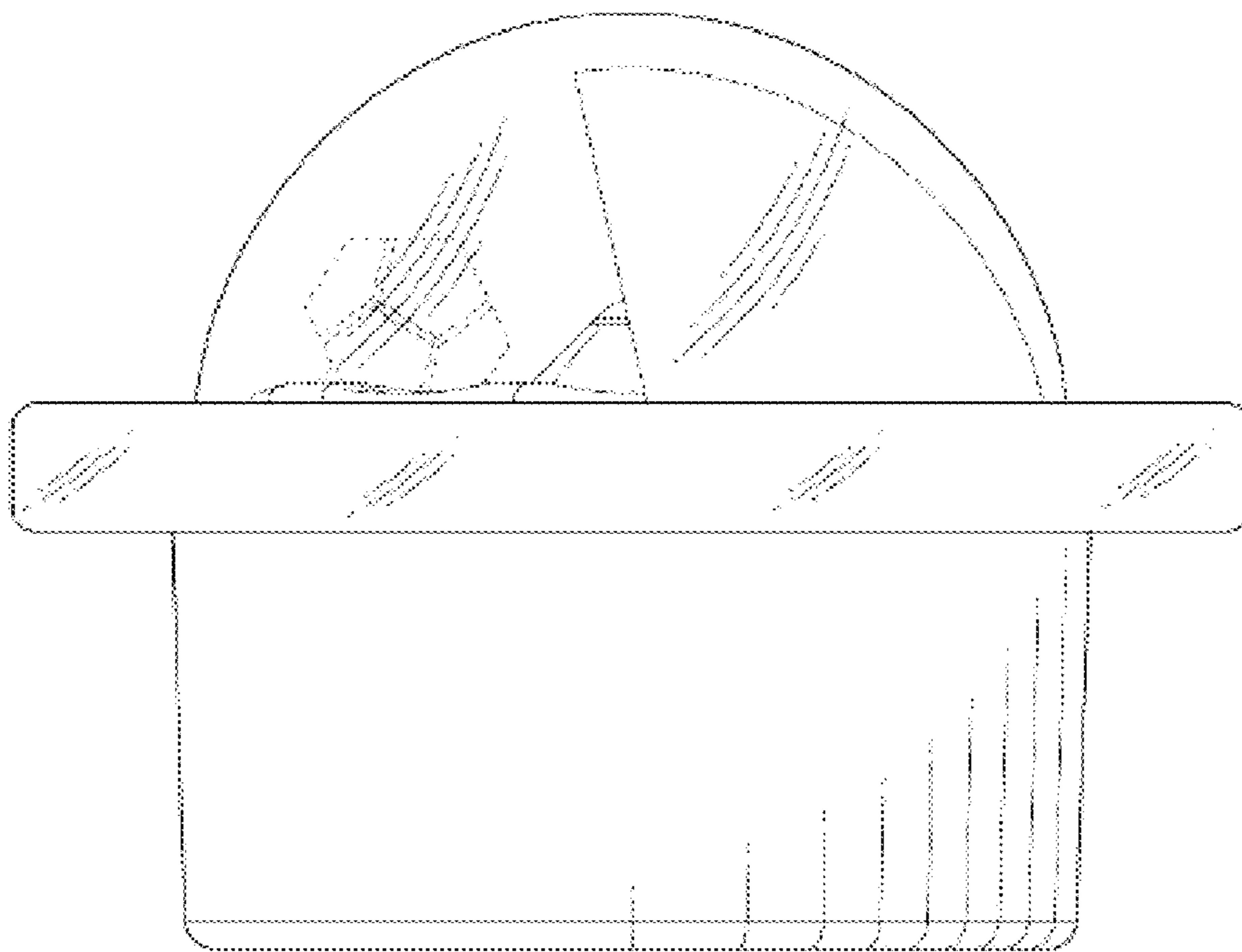


FIG. 11

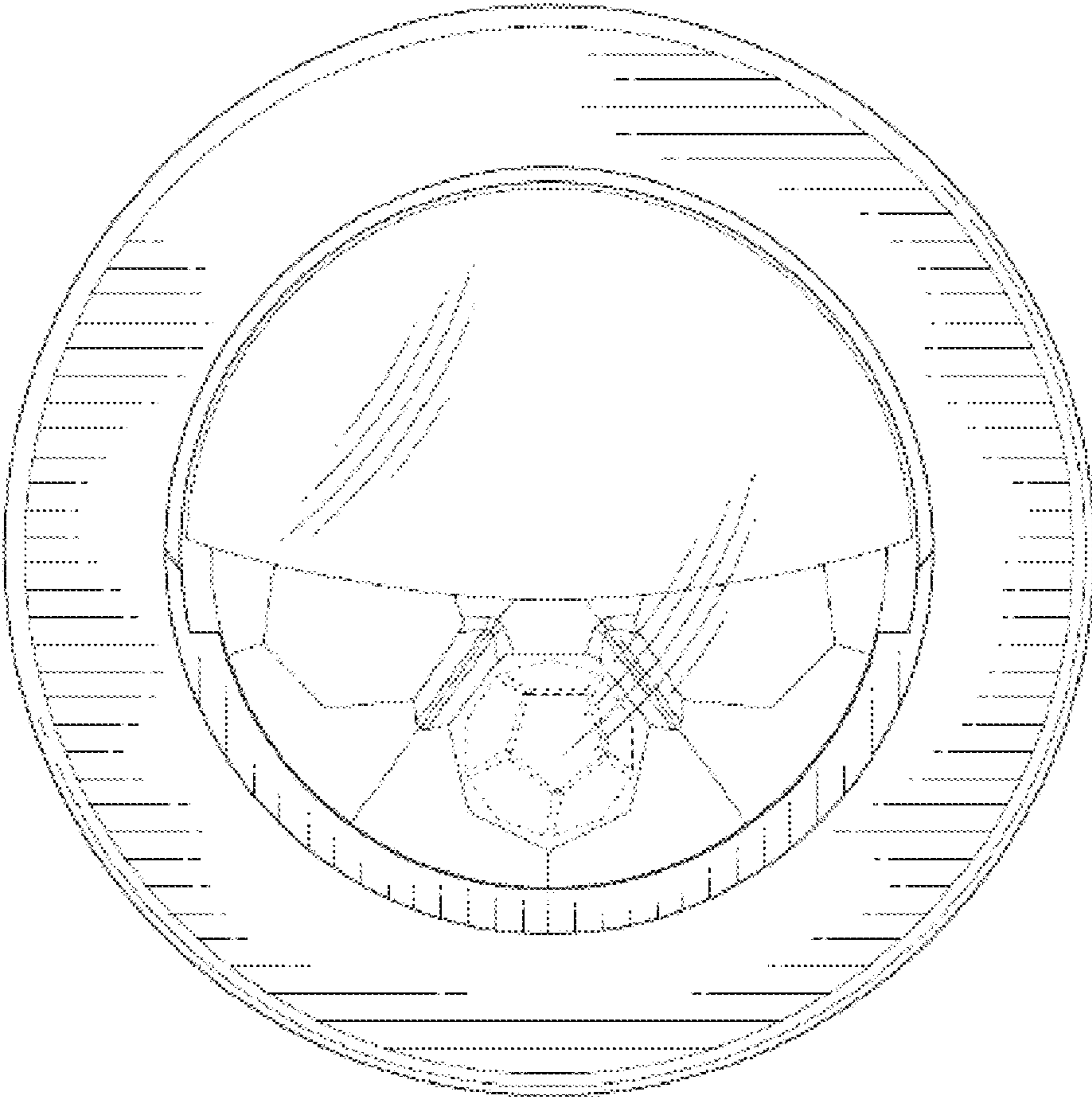


FIG. 12

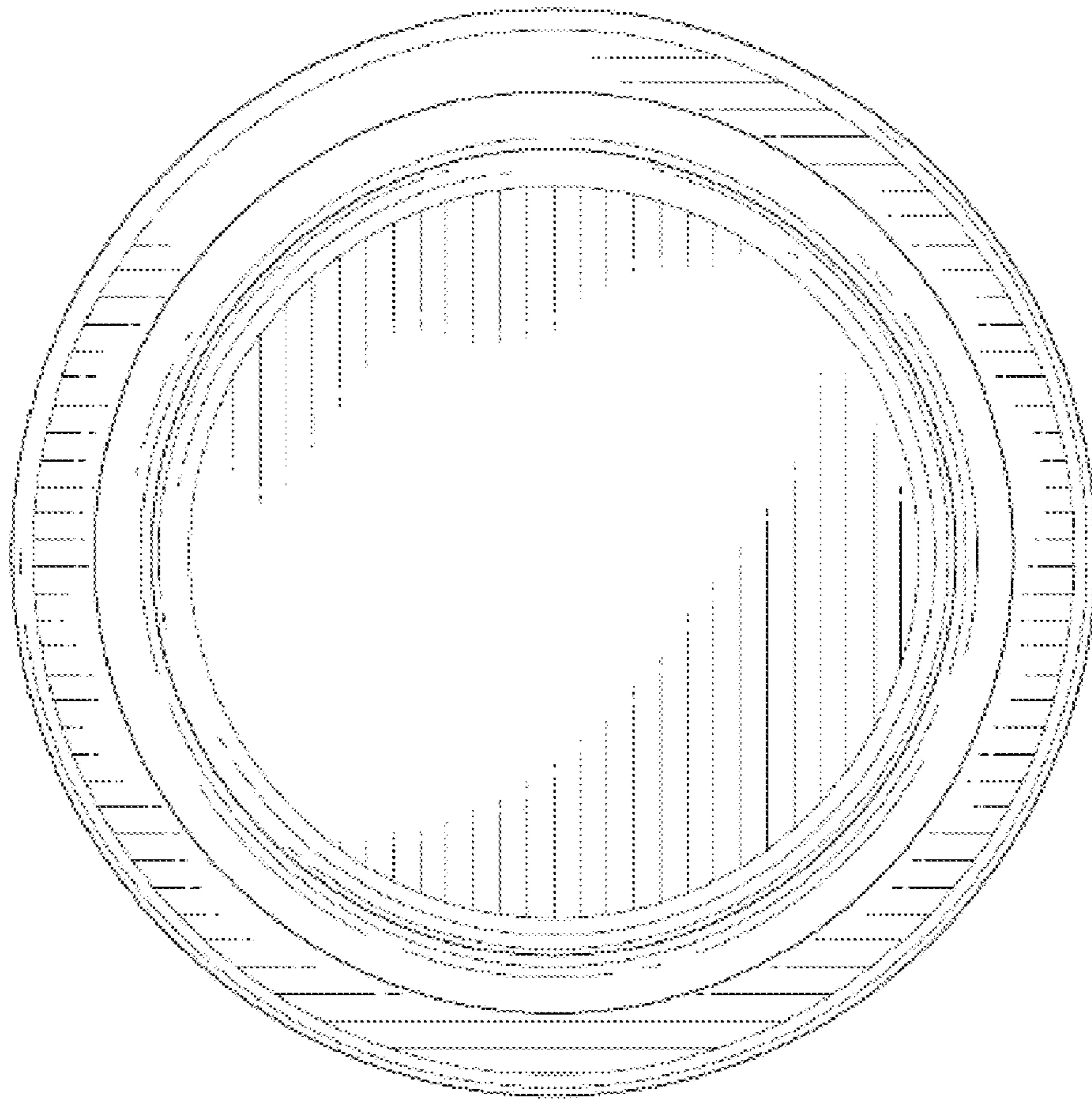


FIG. 13

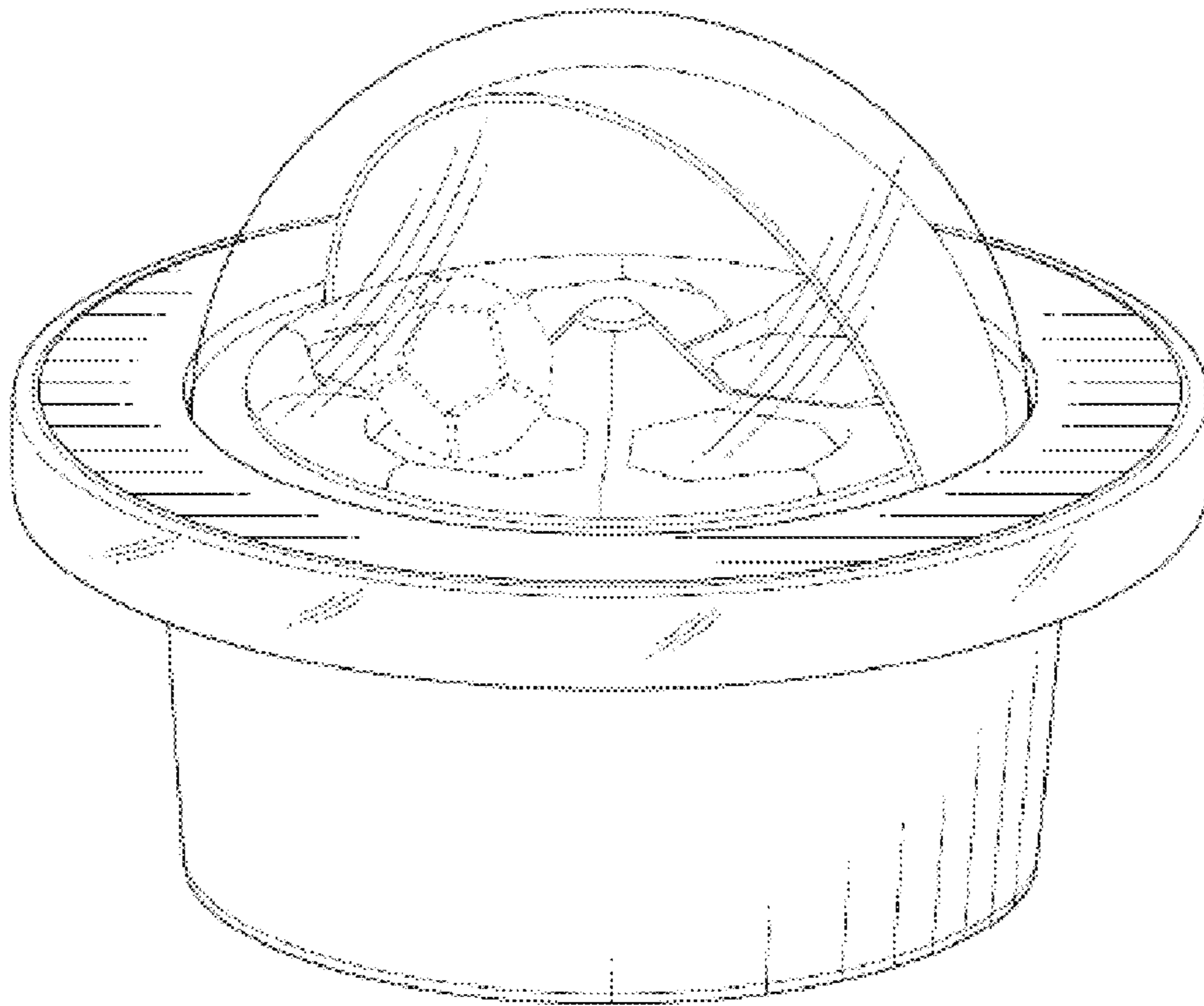


FIG. 14