



US00D905790S

(12) **United States Design Patent**
Chatterjee et al.

(10) **Patent No.:** **US D905,790 S**

(45) **Date of Patent:** **** Dec. 22, 2020**

(54) **CONTROLLER**

(71) Applicant: **Microsoft Corporation**, Redmond, WA (US)

(72) Inventors: **Monique Chatterjee**, Seattle, WA (US);
Matthew C. Harvey, Seattle, WA (US);
Austin R. Porter, Salem, MA (US);
Richard T. Hanks, Arlington, MA (US)

(73) Assignee: **Microsoft Corporation**, Redmond, WA (US)

(**) Term: **15 Years**

(21) Appl. No.: **29/694,190**

(22) Filed: **Jun. 7, 2019**

(51) **LOC (12) Cl.** **21-01**

(52) **U.S. Cl.**
USPC **D21/333; D14/401**

(58) **Field of Classification Search**
USPC D14/400, 401, 412, 356, 358, 383, 388,
D14/454, 203.3, 218, 426-431; D21/333,
D21/324, 328; D13/162, 162.1, 163,
D13/168-172; D10/78, 103
CPC A63F 13/00; A63F 13/02; A63F 13/20;
A63F 13/24; A63F 13/25; A63F 13/90;
A63F 13/98; G06F 3/014; G06F 3/017;
G05G 9/047

See application file for complete search history.

(56) **References Cited**

U.S. PATENT DOCUMENTS

D453,932 S *	2/2002	Han	D14/401
D765,790 S *	9/2016	Chatterjee	D21/333
D765,791 S *	9/2016	Chatterjee	D21/333
D765,792 S *	9/2016	Chatterjee	D21/333
D765,793 S *	9/2016	Chatterjee	D21/333
D795,350 S *	8/2017	Chatterjee	D21/333
D795,351 S *	8/2017	Chatterjee	D21/333

D795,960 S *	8/2017	Chatterjee	D21/333
D795,961 S *	8/2017	Chatterjee	D21/333
D798,954 S *	10/2017	Chatterjee	D21/333
D799,600 S *	10/2017	Chatterjee	D21/333
D816,170 S *	4/2018	Chatterjee	D21/333
D825,005 S *	8/2018	Chatterjee	D21/333
D847,904 S *	5/2019	Chatterjee	D21/333

(Continued)

OTHER PUBLICATIONS

“Bigger than Ever: Gears 5 Limited Edition Xbox One X Console & Accessories Available for Preorder Today,” Xbox Gears 5 Controller pictured therein, online, post date Aug. 6, 2019, URL: <https://news.xbox.com/en-us/2019/08/06/gears-5-limited-edition-hardware-available-for-preorder-today/>, retrieved Aug. 11, 2020.*

(Continued)

Primary Examiner — Angela J Lee

Assistant Examiner — Rebekah A Caruso

(74) *Attorney, Agent, or Firm* — Banner & Witcoff, Ltd.

(57) **CLAIM**

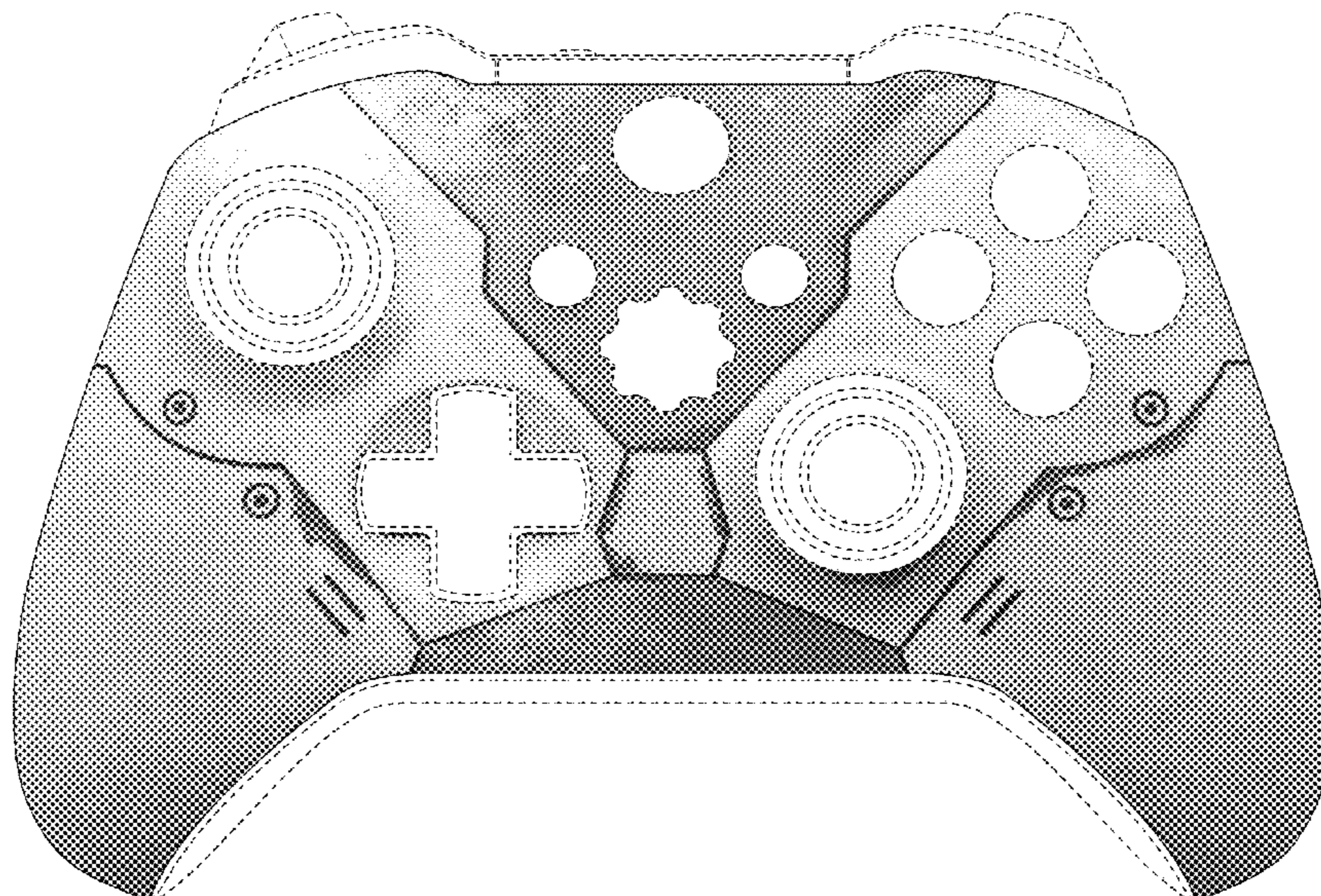
The ornamental design for a controller, as shown and described.

DESCRIPTION

FIG. 1 is a bottom front perspective view of a controller, showing our new design;
FIG. 2 is a top front perspective view thereof;
FIG. 3 is a front view thereof;
FIG. 4 is a top view thereof;
FIG. 5 is a bottom view thereof;
FIG. 6 is a left side view thereof;
FIG. 7 is a right side view thereof; and,
FIG. 8 is a rear view thereof.

The broken lines depicting the remainder of the controller in FIGS. 1-8 show features that form no part of the claimed design.

1 Claim, 8 Drawing Sheets



(56)

References Cited

U.S. PATENT DOCUMENTS

D855,703 S * 8/2019 Chatterjee D21/333
D872,184 S * 1/2020 Chatterjee D21/333
D885,387 S * 5/2020 Hu D14/401

OTHER PUBLICATIONS

“Office Action Issued in Mexican Patent Application No. MX/F/2019/003439”, dated Feb. 7, 2020, 5 Pages.

“Office Action Issued in Mexican Patent Application No. MX/f/2019/003440”, dated Feb. 7, 2020, 5 Pages.

* cited by examiner

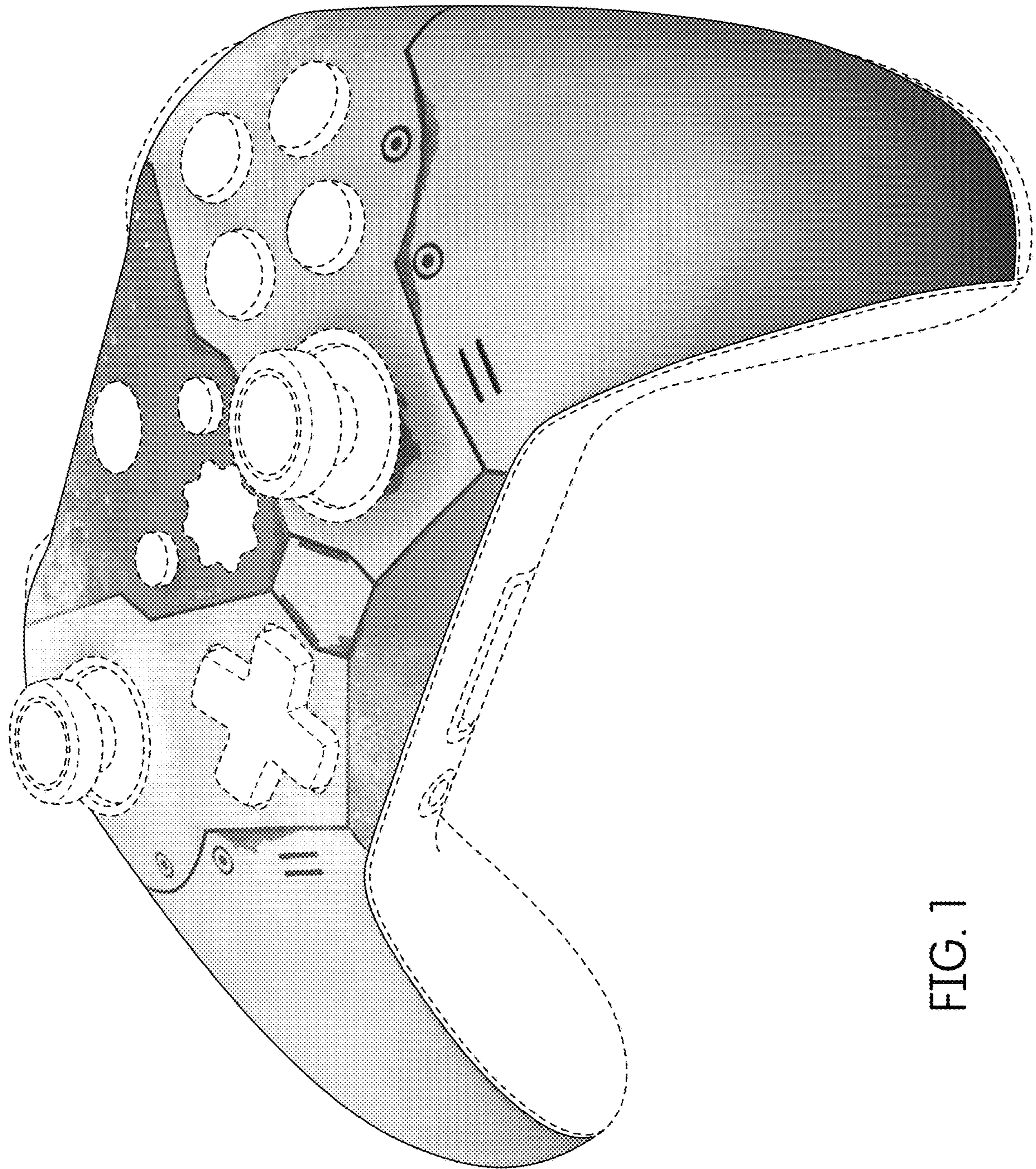


FIG. 1

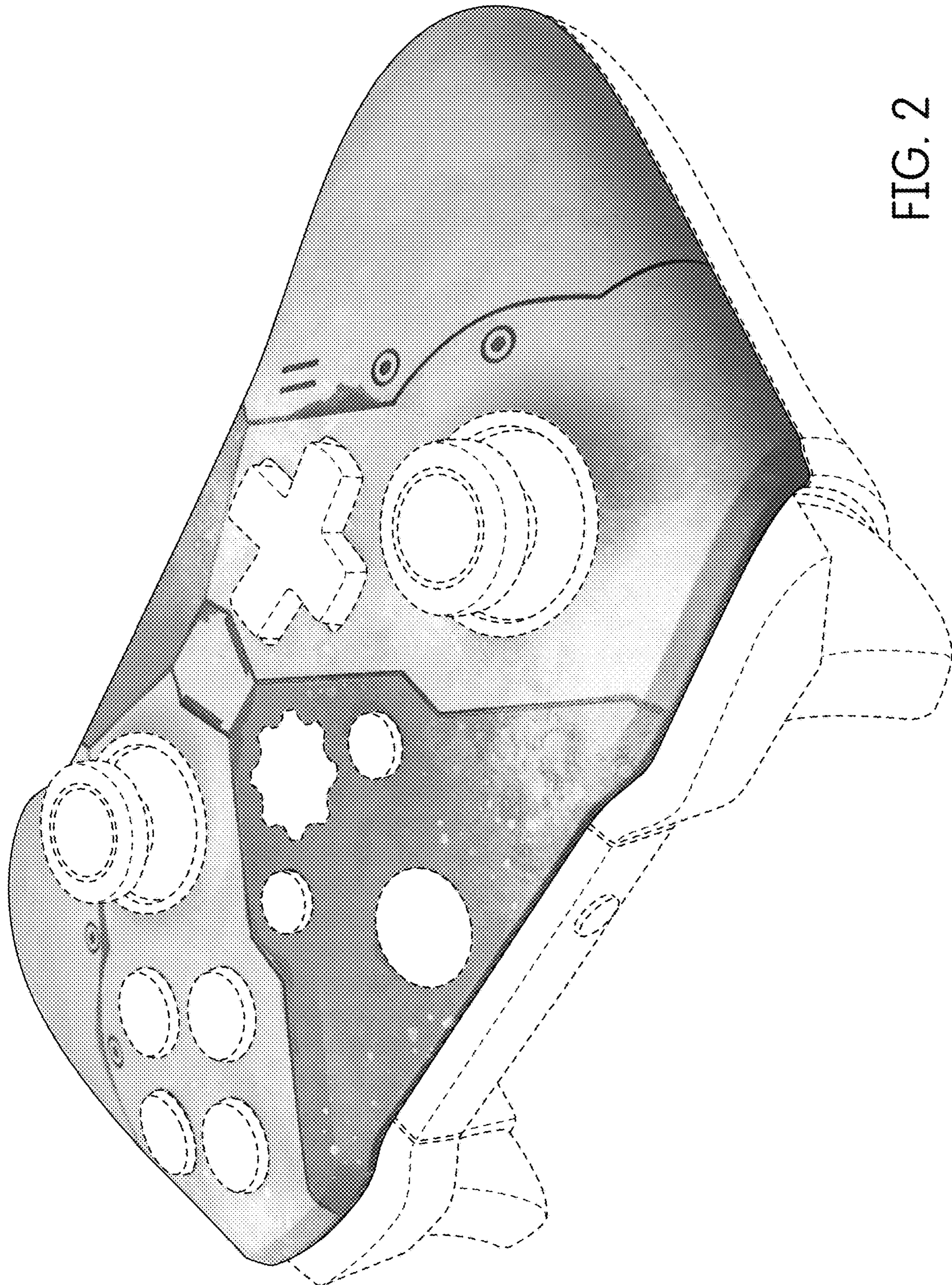


FIG. 2

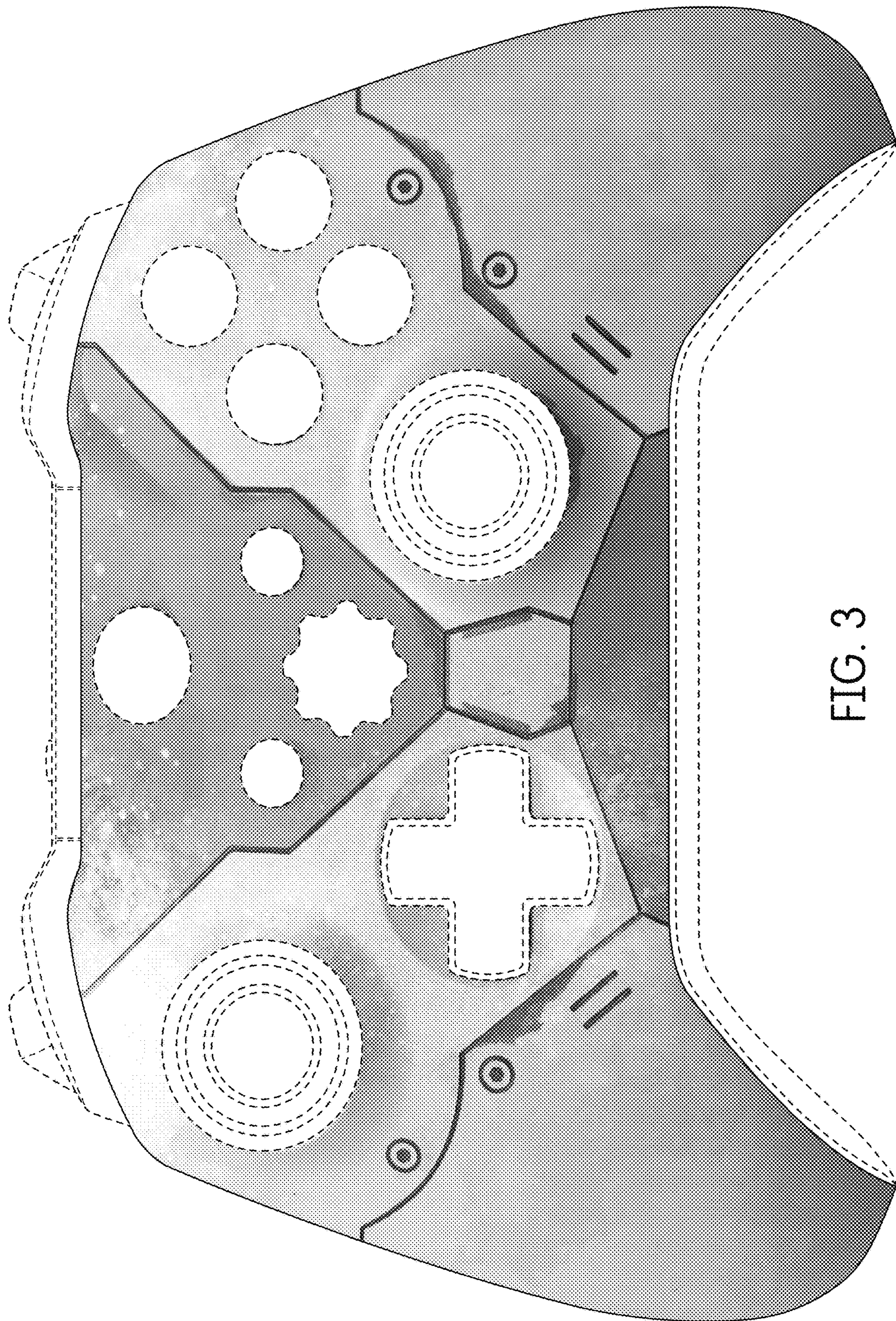


FIG. 3

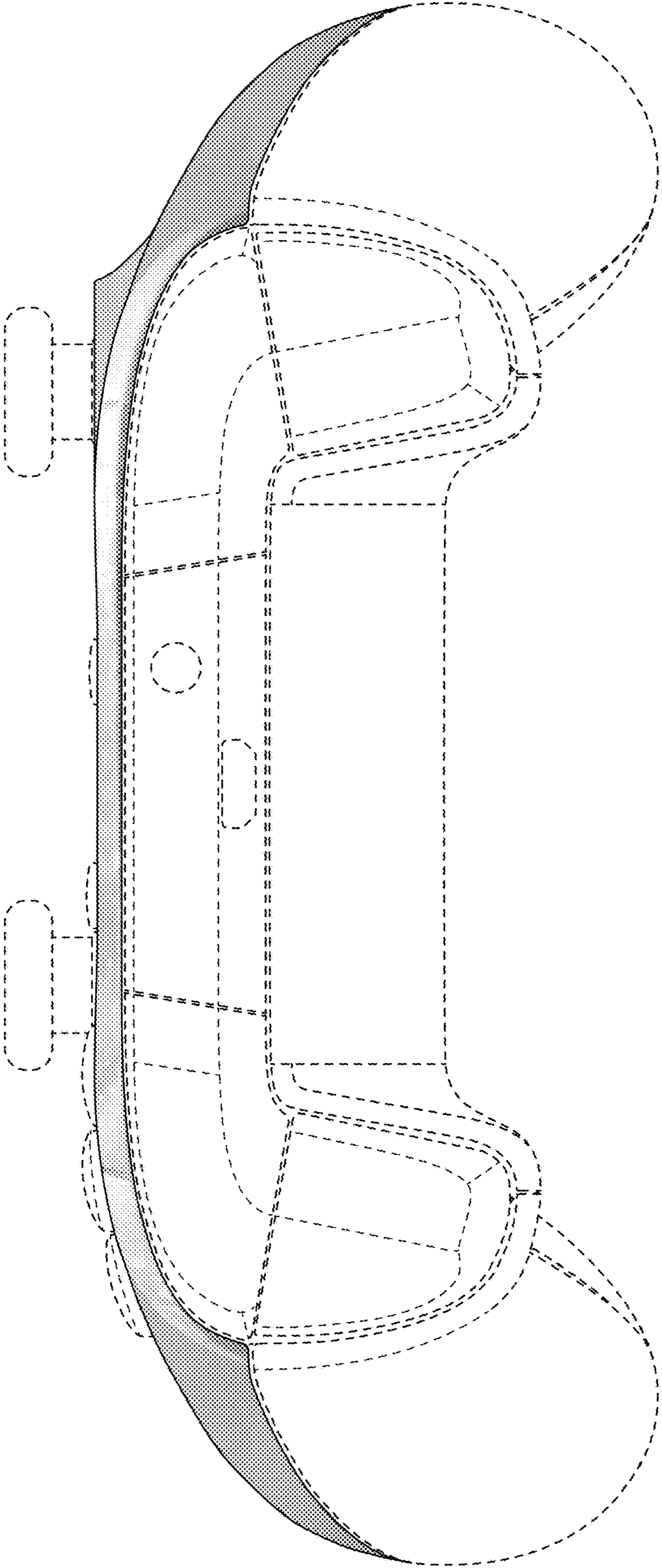


FIG. 4

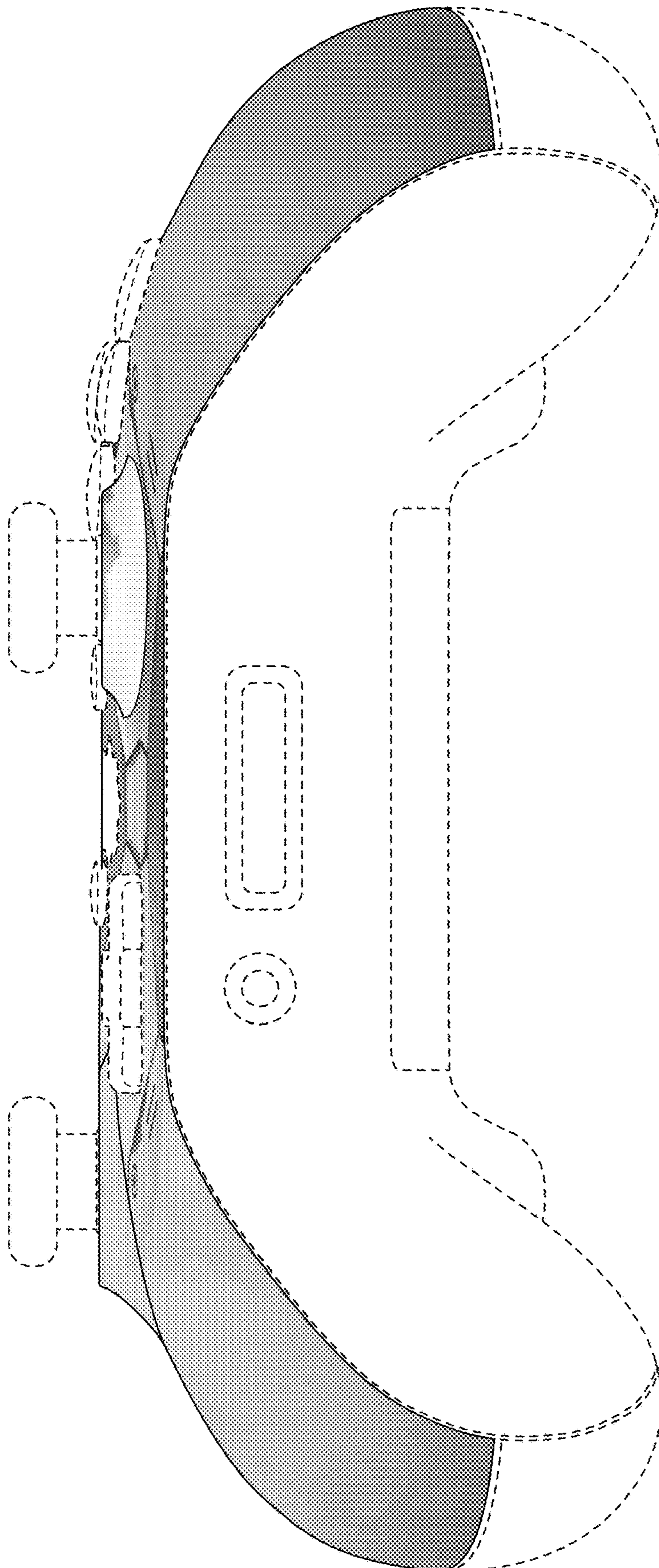


FIG. 5

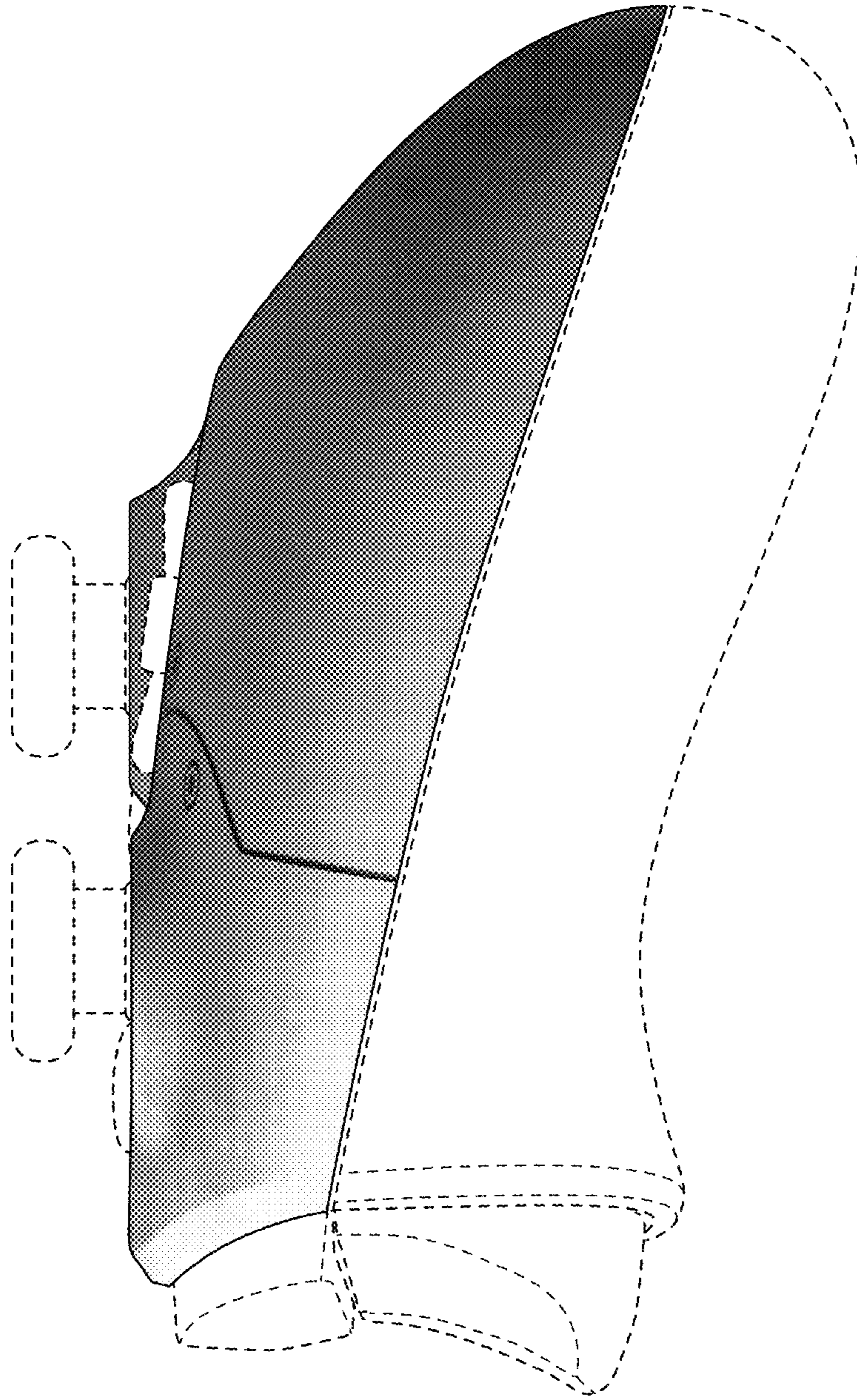


FIG. 6

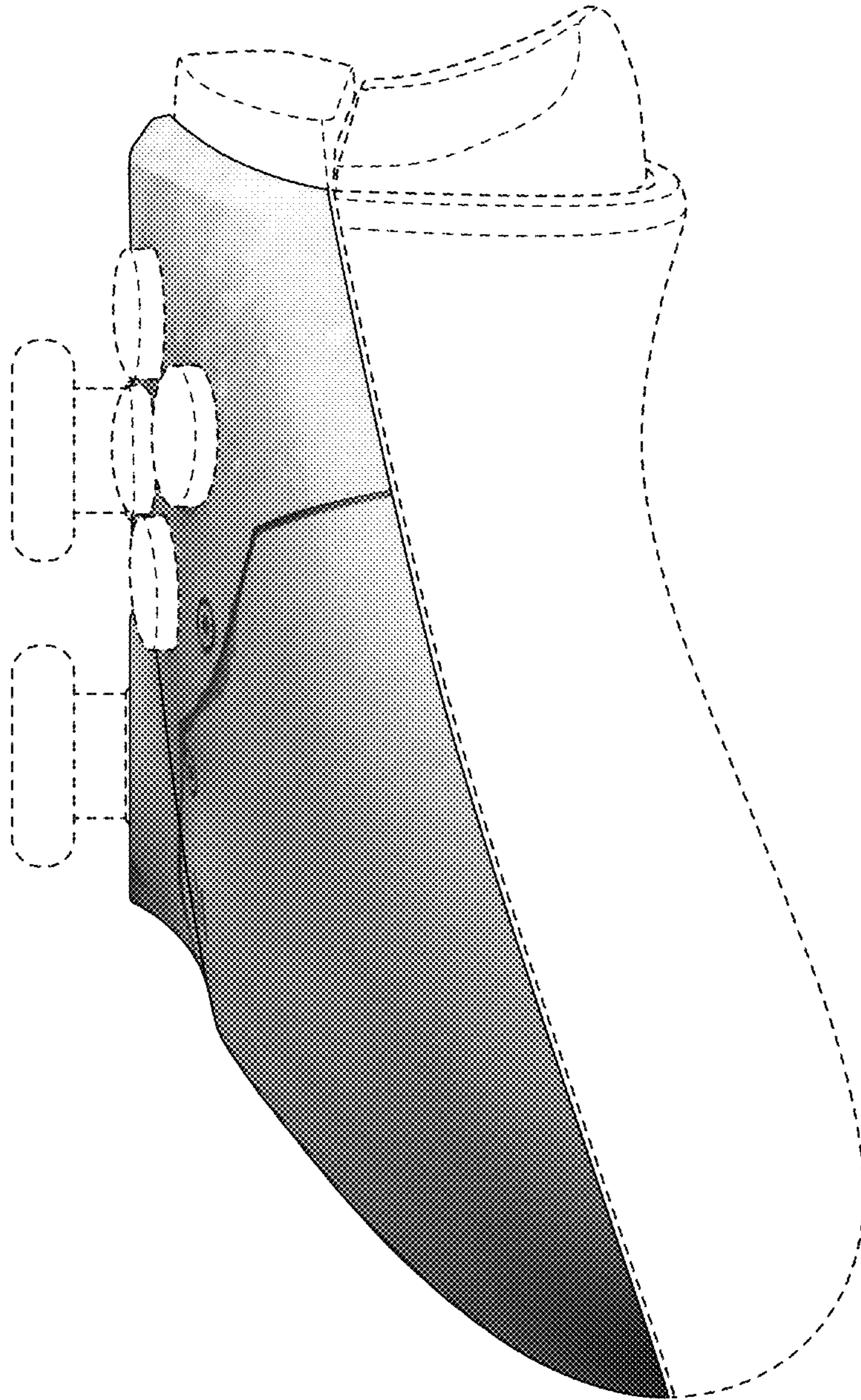


FIG. 7

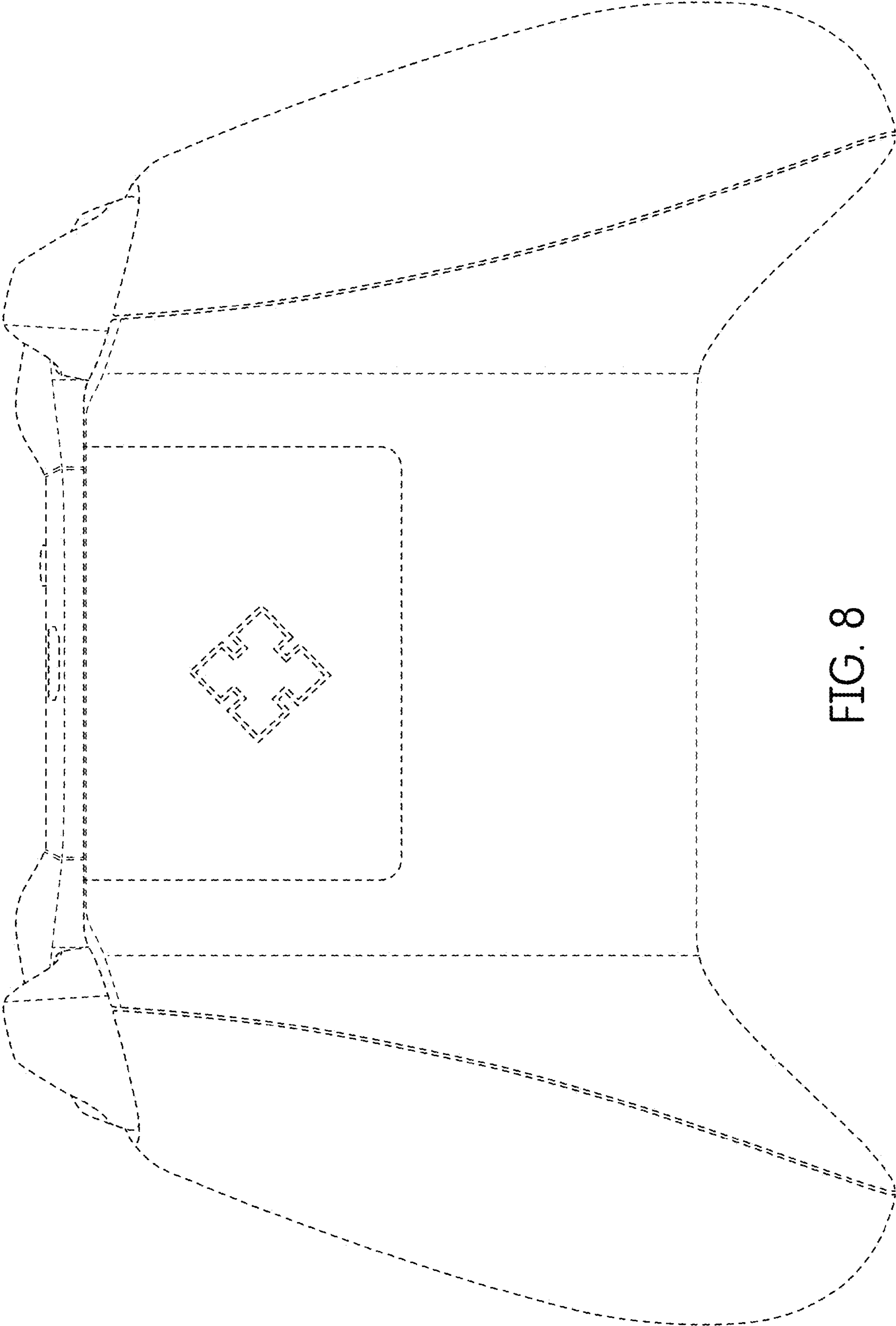


FIG. 8