



US00D905786S

(12) **United States Design Patent**  
**Vitale et al.**

(10) **Patent No.:** **US D905,786 S**  
(45) **Date of Patent:** **\*\* Dec. 22, 2020**

- (54) **CAMERA MOUNT**
- (71) Applicant: **GoPro, Inc.**, San Mateo, CA (US)
- (72) Inventors: **Nicholas Vitale**, Foster City, CA (US);  
**John George Muhlenkamp, IV**,  
Brisbane, CA (US); **Huy Phuong**  
**Nguyen**, San Mateo, CA (US); **Marco**  
**Marroquin**, San Mateo, CA (US);  
**Nicholas D. Woodman**, Woodside, CA  
(US)
- (73) Assignee: **GoPro, Inc.**, San Mateo, CA (US)
- (\*\*) Term: **15 Years**
- (21) Appl. No.: **29/681,087**
- (22) Filed: **Feb. 22, 2019**

2,962,251 A	11/1960	Nikolaus	
3,073,227 A	1/1963	Richard	
3,508,482 A	4/1970	Taylor	
D219,768 S	1/1971	Conwill	
3,762,797 A	10/1973	Heller	
3,776,649 A	12/1973	Kemezys	
3,860,937 A	1/1975	Wolfe	
D243,655 S	3/1977	Matousek	
4,025,930 A	5/1977	Wolff	
4,091,402 A	5/1978	Siegel	
4,208,028 A	6/1980	Brown	
D272,392 S	1/1984	Bigelow	
4,646,141 A	2/1987	Timmermans	
4,733,259 A	3/1988	Ng	
4,763,151 A	8/1988	Klinger	
4,837,817 A	6/1989	Maemori	
4,864,335 A	9/1989	Corrales	
4,887,161 A	12/1989	Watanabe	
4,888,795 A	12/1989	Ando	
5,021,813 A	6/1991	Corrales	
5,092,458 A	3/1992	Yokoyama	
5,244,326 A	9/1993	Henriksen	
5,294,988 A	3/1994	Wakabayashi	
5,327,265 A	7/1994	McDonald	
5,336,086 A	8/1994	Simmen	
5,400,234 A	3/1995	Yu	
5,429,466 A	7/1995	Nagayama	
D363,562 S	10/1995	Schildt	
5,485,357 A	1/1996	Zolninger	
5,486,852 A	1/1996	Arai	
5,505,424 A	4/1996	Niemann	
D373,947 S	9/1996	Parduhn	D8/373
5,563,661 A	10/1996	Takahashi	
5,627,587 A	5/1997	Murata	
5,657,081 A	8/1997	Kurahashi	
5,661,823 A	8/1997	Yamauchi	
5,729,289 A	3/1998	Etoh	
5,769,370 A	6/1998	Ashjaee	
5,775,558 A	7/1998	Montalbano	
5,805,219 A	9/1998	Ejima	
5,808,663 A	9/1998	Okaya	
5,842,069 A	11/1998	Konno	
5,887,375 A	3/1999	Watson	
5,926,218 A	7/1999	Smith	
5,938,492 A	8/1999	Carlini	
5,946,501 A	8/1999	Hayakawa	
5,969,750 A	10/1999	Hsieh	
D418,044 S	12/1999	Schoeneweis	
6,034,728 A	3/2000	Arena	
6,035,147 A	3/2000	Kurosawa	
6,104,887 A	8/2000	Hamasaki	
6,118,929 A	9/2000	Kawamura	
6,128,441 A	10/2000	Kamata	

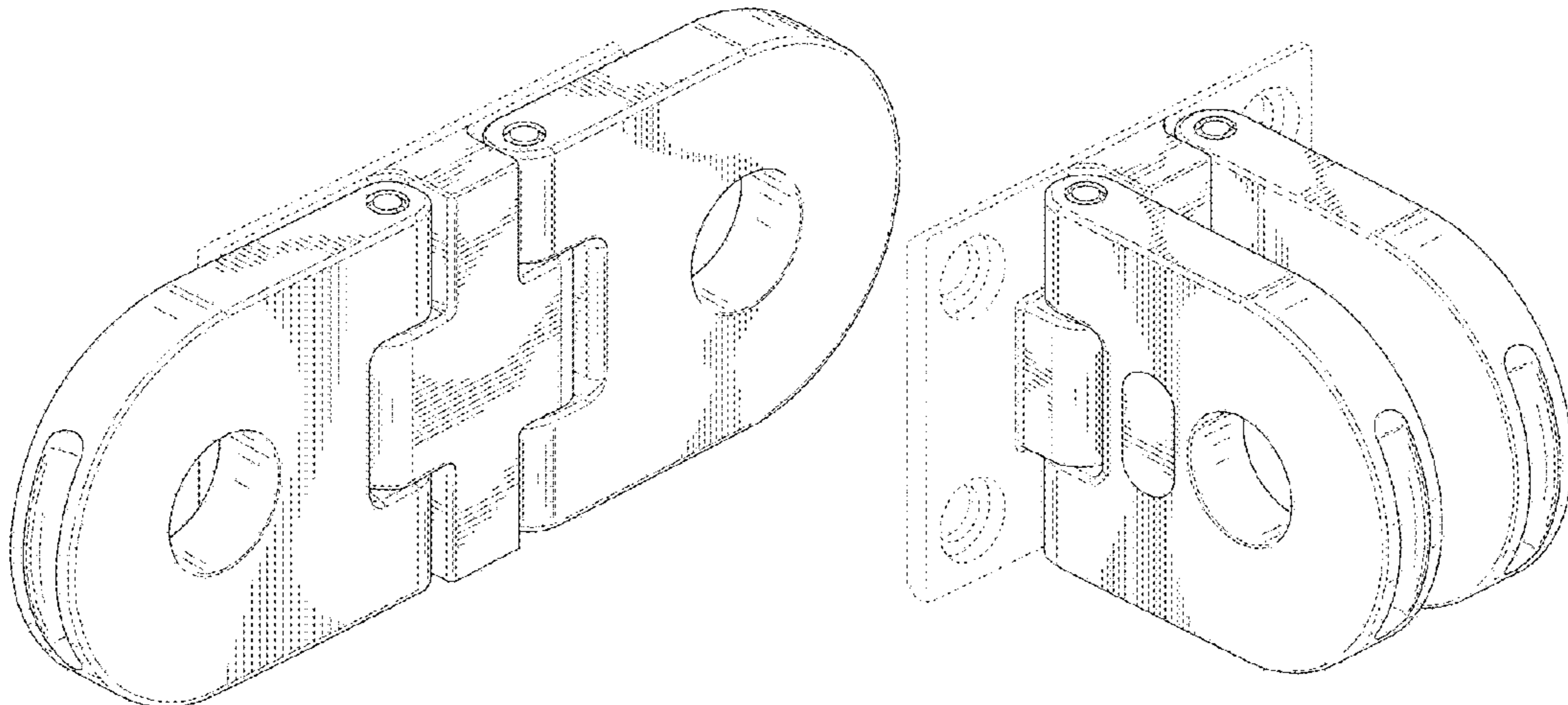
**Related U.S. Application Data**

- (63) Continuation-in-part of application No. 29/661,819,  
filed on Aug. 31, 2018.
- (51) **LOC (12) Cl.** ..... **16-05**
- (52) **U.S. Cl.**  
USPC ..... **D16/242**
- (58) **Field of Classification Search**  
USPC ..... D16/208-209, 219, 237-250; D8/354,  
D8/355, 363, 373, 382-383, 394-396;  
D14/224, 229, 238, 251, 253, 447, 451,  
D14/457  
CPC ..... A45F 5/00; A45F 5/10; F16M 11/06-10;  
F16M 11/14; G02B 7/00-002; G03B  
17/56; G03B 17/561-566  
See application file for complete search history.

(56) **References Cited**

**U.S. PATENT DOCUMENTS**

1,467,556 A	9/1923	Nagel
1,612,277 A	12/1926	Leo
D118,296 S	12/1939	Tuomey
2,651,981 A	9/1953	Calhoun
2,890,067 A	6/1959	Morin





# US D905,786 S

6,138,826 A	10/2000	Kanamori	D646,313 S	10/2011	Woodman	
D437,772 S	2/2001	Erwin	8,031,222 B2	10/2011	Crinon	
D441,386 S	5/2001	Yamazaki	D657,808 S	4/2012	Woodman	
D442,982 S	5/2001	Adachi	8,150,248 B1	4/2012	Woodman	
6,315,180 B1	11/2001	Watkins	8,194,145 B2	6/2012	Lee	
6,332,146 B1	12/2001	Jebens	8,194,174 B2	6/2012	Roskowski	
6,360,928 B1	3/2002	Russo	8,199,251 B2	6/2012	Woodman	
D460,474 S	7/2002	Gotham, Sr.	8,218,025 B2	7/2012	Yonaha	
D462,893 S	9/2002	Sung	8,235,635 B1	8/2012	Brown	
6,480,671 B2	11/2002	Takahashi	8,267,361 B1	9/2012	Dordick	
6,483,542 B1	11/2002	Morinaga	8,300,107 B2	10/2012	Strandwitz	
D467,605 S	12/2002	Dordick	D671,394 S *	11/2012	Derry .....	D8/373
6,530,784 B1	3/2003	Yim	8,325,270 B2	12/2012	Woodman	
6,583,809 B1	6/2003	Fujiwara	8,328,055 B1	12/2012	Snyder	
6,654,235 B2	11/2003	Imsand	D675,242 S	1/2013	O'Donnell	
D483,789 S	12/2003	Dordick	8,348,214 B2	1/2013	Vogt	
6,727,954 B1	4/2004	Okada	8,356,948 B2	1/2013	Onishi	
6,741,287 B1	5/2004	Fuchimukai	8,368,748 B2	2/2013	Ho	
D491,968 S	6/2004	Isshiki	8,371,729 B2	2/2013	Sharrah	
D492,893 S	7/2004	Oddsens, Jr.	D679,576 S	4/2013	Paul	
D494,450 S	8/2004	Schultz	D680,097 S	4/2013	Davies	
6,809,759 B1	10/2004	Chiang	D683,207 S	5/2013	Papadopoulos	
D504,904 S	5/2005	Nagai	8,467,675 B2	6/2013	Chen	
6,955,484 B2	10/2005	Woodman	8,485,910 B2	7/2013	Selle	
D511,960 S	11/2005	Ogino	D690,280 S	9/2013	Schul	
D515,121 S	2/2006	Bleau	8,542,308 B2	9/2013	Ozawa	
D515,613 S	2/2006	Holmes	8,544,643 B2	10/2013	Yim	
D515,910 S	2/2006	Gates	8,638,392 B2	1/2014	Woodman	
7,011,460 B1	3/2006	Todd	D699,276 S	2/2014	Samuels	
7,060,921 B2	6/2006	Kubo	D699,277 S	2/2014	Samuels	
7,077,582 B2	7/2006	Johnson	D700,166 S	2/2014	Petersen	
7,129,981 B2	10/2006	Berstis	D701,840 S	4/2014	Kazakia	
7,185,862 B1	3/2007	Yang	D702,276 S	4/2014	Woodman	
7,196,722 B2	3/2007	White	8,727,642 B1	5/2014	Tse	
7,226,261 B1	6/2007	Bristol	8,743,277 B2	6/2014	Matsuzawa	
D551,969 S	10/2007	Aurilio	8,749,966 B1	6/2014	Boudreau	
7,285,879 B2	10/2007	Osaka	8,792,003 B2	7/2014	Nakamura	
7,295,388 B2	11/2007	Shyu	8,807,849 B2	8/2014	Apter	
D559,083 S	1/2008	Brassard	D713,868 S	9/2014	Yang	
7,327,396 B2	2/2008	Schultz	8,825,124 B1	9/2014	Davies	
7,337,403 B2	2/2008	Pavley	8,827,219 B2	9/2014	Kessler	
7,362,352 B2	4/2008	Ueyama	8,830,326 B2	9/2014	Kitagawa	
7,379,664 B2	5/2008	Marcus	8,837,928 B1	9/2014	Clearman	
D571,188 S	6/2008	Brassard	8,870,475 B1	10/2014	Bennett	
D576,486 S	9/2008	Koza	D718,617 S	12/2014	Taylor	
D577,729 S	9/2008	Derry	8,917,496 B2	12/2014	Richardson	
D577,731 S	9/2008	Altonji	D722,864 S	2/2015	Greenthal	
7,440,693 B2	10/2008	Kouchi	D724,637 S	3/2015	Samuels	
D581,255 S	11/2008	Calvin	D724,638 S	3/2015	Samuels	
D582,955 S	12/2008	Sekine	8,970,689 B2	3/2015	Campbell	
7,463,304 B2	12/2008	Murray	8,992,102 B1	3/2015	Samuels	
7,464,215 B2	12/2008	Kawai	D727,387 S	4/2015	Hasegawa	
7,496,293 B2	2/2009	Shamir	D727,991 S	4/2015	Hasegawa	
7,508,420 B2	3/2009	Kitajima	9,004,783 B1	4/2015	Woodman	
D591,325 S	4/2009	Dordick	9,014,766 B2	4/2015	Hu	
7,537,399 B2	5/2009	Mayumi	D729,059 S	5/2015	Taylor	
7,543,327 B1	6/2009	Kaplinsky	D729,761 S	5/2015	Hu	
D596,217 S	7/2009	Kim	D729,762 S	5/2015	Hu	
D596,658 S	7/2009	Dordick	D730,423 S	5/2015	Vandenbussche	
7,612,821 B1	11/2009	Hsia	9,033,596 B2	5/2015	Samuels	
7,613,386 B2	11/2009	Shimamura	D732,593 S	6/2015	Woodman	
7,643,056 B2	1/2010	Silby	D732,933 S	6/2015	Jansen	
7,656,294 B2	2/2010	Boss	9,097,962 B2	8/2015	Johnson, Sr.	
7,663,666 B2	2/2010	Kawai	9,122,133 B2	9/2015	Bennett	
7,671,886 B2	3/2010	Sawada	9,152,019 B2	10/2015	Kintner	
7,674,081 B2	3/2010	Selle	9,161,110 B1	10/2015	Patsis	
D616,286 S	5/2010	Foresman	9,204,022 B2	12/2015	Campbell	
D616,480 S	5/2010	Ookawa	9,204,710 B1	12/2015	Burns	
D616,742 S	6/2010	Lymn	9,229,299 B1	1/2016	Morlon	
7,728,905 B2	6/2010	Tanaka	9,243,737 B2	1/2016	Hida	
7,752,732 B2	7/2010	Brown	9,243,739 B2	1/2016	Peters	
7,801,425 B2	9/2010	Fantone	9,244,337 B2	1/2016	Weihe	
D625,750 S	10/2010	Dittmer	D749,164 S	2/2016	Raccach	
7,823,771 B2	11/2010	Sawachi	9,268,200 B2	2/2016	Clearman	
D635,445 S	4/2011	Foresman	9,268,201 B1	2/2016	Montgomery	
D640,304 S	6/2011	Green	D750,687 S	3/2016	Samuels	
8,013,932 B2	9/2011	Chan	9,282,226 B2	3/2016	Samuels	
8,014,656 B2	9/2011	Woodman	9,297,616 B2	3/2016	Daniel	
8,026,945 B2	9/2011	Garoutte	9,297,640 B2	3/2016	Tassakos	



# US D905,786 S

9,300,345 B2	3/2016	Johnson	2004/0223752 A1	11/2004	Ghanouni
D754,238 S	4/2016	Woodman	2005/0025472 A1	2/2005	Sugita
9,357,115 B2	5/2016	Campbell	2005/0041966 A1	2/2005	Johnson
9,360,742 B1	6/2016	Harrison	2005/0122424 A1	6/2005	Overstreet
9,372,383 B2	6/2016	Johnson	2005/0190263 A1	9/2005	Monroe
9,377,672 B1	6/2016	Clearman	2005/0265711 A1	12/2005	Heibel
9,395,031 B1	7/2016	Clearman	2006/0007551 A1	1/2006	Sakurai
9,395,603 B2	7/2016	Achenbach	2006/0015664 A1	1/2006	Zhang
D762,536 S *	8/2016	Wurzer ..... D12/174	2006/0022108 A1	2/2006	Kuga
D764,566 S	8/2016	Bennett	2006/0061663 A1	3/2006	Park
D764,567 S	8/2016	Bennett	2006/0066753 A1	3/2006	Gennetten
9,423,673 B2	8/2016	Clearman	2006/0072020 A1	4/2006	McCutchen
9,426,341 B1	8/2016	Baldrige	2006/0098966 A1	5/2006	Takahashi
9,507,245 B1	11/2016	Druker	2006/0139459 A1	6/2006	Zhong
9,513,535 B2	12/2016	Bennett	2006/0177215 A1	8/2006	Johnson
9,521,302 B2	12/2016	Samuels	2006/0257137 A1	11/2006	Fromm
D776,746 S	1/2017	Bennett	2006/0262365 A1	11/2006	Imao
D777,240 S	1/2017	Costa	2006/0274157 A1	12/2006	Levien
9,551,915 B2	1/2017	Clearman	2006/0274493 A1	12/2006	Richardson
D780,249 S	2/2017	Ramsthaller	2007/0024734 A1	2/2007	Headley
9,588,407 B1	3/2017	Harrison	2007/0025711 A1	2/2007	Marcus
9,596,388 B2	3/2017	Woodman	2007/0053680 A1	3/2007	Fromm
9,622,556 B2	4/2017	Fathollahi	2007/0071423 A1	3/2007	Fantone
9,625,791 B2	4/2017	Harrison	2007/0077062 A1	4/2007	Senba
9,628,681 B2	4/2017	Clearman	2007/0109417 A1	5/2007	Hyttfors
9,635,226 B2	4/2017	Samuels	2007/0126883 A1	6/2007	Ishige
9,661,197 B2	5/2017	Clearman	2007/0140686 A1	6/2007	Misawa
9,681,029 B2	6/2017	Harrison	2007/0154254 A1	7/2007	Bevirt
9,699,360 B2	7/2017	Woodman	2007/0242134 A1	10/2007	Zernov
D795,061 S	8/2017	Bacallao	2007/0244634 A1	10/2007	Koch
9,736,376 B1	8/2017	Holway	2007/0268382 A1	11/2007	Shiomi
9,763,548 B2	9/2017	Theising	2007/0268588 A1	11/2007	Elias
9,772,542 B2	9/2017	Clearman	2008/0011344 A1	1/2008	Barker
D799,953 S	10/2017	Papafagos	2008/0023607 A1	1/2008	Barker
D800,205 S	10/2017	Harrison	2008/0063392 A1	3/2008	Ahn
D800,822 S	10/2017	Costa	2008/0072163 A1	3/2008	Teng
9,823,549 B1	11/2017	Miyashita	2008/0074487 A1	3/2008	Ryckman
9,829,772 B2	11/2017	Harrison	2008/0100712 A1	5/2008	Hayes
9,851,622 B2	12/2017	Song	2008/0107414 A1	5/2008	Showalter
9,864,257 B1	1/2018	Wroblewski	2008/0117328 A1	5/2008	Daoud
9,880,451 B2	1/2018	Clearman	2008/0122958 A1	5/2008	Huseth
D811,335 S	2/2018	Weng	2008/0180537 A1	7/2008	Weinberg
9,904,148 B1	2/2018	Druker	2008/0237414 A1	10/2008	Lien
9,915,855 B1	3/2018	Miyashita	2008/0248703 A1	10/2008	Russell
9,926,029 B2	3/2018	Rucker	2008/0266389 A1	10/2008	Dewind
9,930,231 B2	3/2018	Clearman	2008/0267613 A1	10/2008	Darrow
10,025,166 B2	7/2018	Clearman	2008/0316327 A1	12/2008	Steinberg
10,094,513 B2	10/2018	Bennett	2008/0316734 A1	12/2008	Spartano
D837,623 S	1/2019	Powers	2009/0003821 A1	1/2009	Son
D839,946 S	2/2019	De Vries	2009/0032420 A1	2/2009	Zenzai
D840,795 S	2/2019	Tribbett	2009/0059064 A1	3/2009	Terakado
D841,721 S	2/2019	Muhlenkamp, IV	2009/0109286 A1	4/2009	Ennis
D847,609 S *	5/2019	Ng ..... D8/354	2009/0110380 A1	4/2009	Fantone
10,306,115 B2	5/2019	Samuels	2009/0111543 A1	4/2009	Tai
10,356,291 B2	7/2019	Woodman	2009/0173863 A1	7/2009	Crown
10,416,538 B2	9/2019	Clearman	2009/0206077 A1	8/2009	Melmon
10,511,750 B2	12/2019	Clearman	2009/0283184 A1	11/2009	Han
D873,833 S	1/2020	Leimer	2009/0321483 A1	12/2009	Froloff
10,539,858 B2	1/2020	Clearman	2010/0060747 A1	3/2010	Woodman
10,547,769 B2	1/2020	Harrison	2010/0061711 A1	3/2010	Woodman
D874,248 S *	2/2020	Stekr ..... D8/354	2010/0079607 A1	4/2010	Won
D879,762 S	3/2020	Luo	2010/0118158 A1	5/2010	Boland
2001/0017339 A1	8/2001	Brotz	2010/0141762 A1	6/2010	Siann
2001/0043281 A1	11/2001	Onuki	2010/0205537 A1	8/2010	Knighton
2002/0005907 A1	1/2002	Alten	2010/0220188 A1	9/2010	Renkis
2002/0046218 A1	4/2002	Gilbert	2010/0229450 A1	9/2010	Becker
2002/0101534 A1	8/2002	Liu	2010/0246669 A1	9/2010	Harel
2002/0178116 A1	11/2002	Yamasaki	2010/0252188 A1	10/2010	Inanami
2003/0035052 A1	2/2003	Baron	2010/0253832 A1	10/2010	Duparre
2003/0085244 A1	5/2003	Parsons	2010/0266273 A1	10/2010	Wood
2003/0104806 A1	6/2003	Ruef	2010/0283843 A1	11/2010	Cai
2003/0115662 A1	6/2003	Dobbie	2010/0289904 A1	11/2010	Zhang
2003/0156212 A1	8/2003	Kingetsu	2010/0299814 A1	12/2010	Celona
2003/0179306 A1	9/2003	Lee	2010/0333155 A1	12/2010	Royall
2004/0066457 A1	4/2004	Silverstein	2011/0001834 A1	1/2011	Herrell
2004/0076415 A1	4/2004	Da	2011/0042530 A1	2/2011	Phillips
2004/0095506 A1	5/2004	Scott	2011/0064401 A1	3/2011	Desorbo
2004/0201745 A1	10/2004	Wess	2011/0129210 A1	6/2011	McGucken
2004/0212687 A1	10/2004	Patwari	2011/0138673 A1	6/2011	Deros







WO	2004023795	A1	3/2004
WO	2004081713	A2	9/2004
WO	2005096760	A2	10/2005
WO	2005098304		10/2005
WO	2005098304	A1	10/2005
WO	2007128317	A1	11/2007
WO	2007130146	A1	11/2007
WO	2010005975		1/2010
WO	2010005975	A1	1/2010
WO	2010005976	A1	1/2010
WO	2013067340		5/2013
WO	2014062360	A1	4/2014
WO	2015013054	A1	1/2015
WO	2015102888	A1	7/2015
WO	2016053472		4/2016
WO	2016064468		4/2016
WO	2016073188		5/2016

## OTHER PUBLICATIONS

Double male GoPro bar by eliotg Thingiverse. [online] Published on Jan. 16, 2016. Retrieved from URL:<https://www.thingiverse.com/thing:1273246> (2 pages).

i Phone X Outfitting it for Adventure. [online] Published on Nov. 29, 2017. Retrieved from URL: <https://explore.globalcreations.com/reviews/tools/outfitting-iphone-x-adventure/> (13 pages).

International Search Report for Application No. PCT/US2019/045281, dated Oct. 24, 2019, 10 pages.

PCT International Search Report and Written Opinion, PCT/US2012/063304, Jan. 22, 2013, 7 Pages.

United States Office Action for U.S. Appl. No. 13/666,807, dated Oct. 6, 2014, 11 pages.

United States Office Action for U.S. Appl. No. 14/604,118, dated Apr. 14, 2015, 11 pages.

PCT International Search Report for Written Opinion for PCT/US2013/062061, dated Mar. 3, 2014, 15 pages.

JP5-304625 English Machine Translation available from JPO website. 7 pages.

Design U.S. Appl. No. 29/694,559, filed Jun. 11, 2019, 25 pages.

Design U.S. Appl. No. 29/706,013, filed Sep. 17, 2019, 93 pages.

Design U.S. Appl. No. 29/661,818, filed Aug. 31, 2018, 75 pages.

Canon, 'Wireless file Transmitter WFT-EF E,' 2009, 132 pages, [Online] [Retrieved on Feb. 11, 2015] Retrieved from the Internet<URL:<http://shuttersnitch.com/downloads/manuals/canon/wft-e5-en.pdf>

CheesyCam.com, 'Remote LCD Live View + Remote Shutter for DSLR Video—Exciting!', Jul. 16, 2010, 12 pages, [Online] [Retrieved on Feb. 11, 2015] Retrieved from the Internet<URL:<http://cheesycam.com/remote-lcd-live-view-for-dslr-video-exciting/>

'GoPro Hero 3 Sports Wrist Camera Review,' PaddleDogNation, 2006, 6 pages, [Online] [Retrieved on Aug. 8, 2007] Retrieved from the Internet<URL:<http://paddledognation.com/Reviews/PaddlingGearReviews/He-ro3Ca...>

Guarnera, M. et al., 'Manet: Possible Applications with PDA in Wireless Imaging Environment', IEEE International Symposium, Sep. 2002, vol. 7, pp. 2394-2398, vol. 5, pp. 15-18.

Huang, J., "Part 19—Oct. 21: Interbike Bits and Baubles," Interbike Show, Las Vegas, Nevada, USA, Sep. 22-26, 2008, Cyclingnews.com, [Online] [Retrieved on Oct. 21, 2008] Retrieved from the Internet<URL:<http://www.cyclingnews.com/tech/2008/shows/interbike08/?i-d=result...>

Non-Final Rejection for U.S. Appl. No. 12/498,890 dated Aug. 30, 2011, 31 Pages.

Non-Final Rejection for U.S. Appl. No. 13/665,594 dated Mar. 29, 2013, 25 Pages.

Norouznezhad, E. et al. "A High Resolution Smart Camera with GigE Vision Extension for Surveillance Applications," Second ACM/IEEE International Conference on Distributed Smart Cameras, 2008, 8 pages.

PCT International Search Report and Written Opinion, PCT Application No. PCT/US2009/049821, Sep. 3, 2009, 8 pages.

Sun, X. et al. "Region of Interest Extraction and Virtual Camera Control Based on Panoramic Video Capturing," IEEE Transactions on Multimedia, 2005, pp. 981-990, vol. 7, issue 5.

'Tekkno Trading Project—Brandnews,' NSP, Jan. 2008, p. 59.

Volk, W., 'Go Pro's Digital Hero Camera,' Divester, Posted Dec. 5, 2008, [Online] [Retrieved on Sep. 16, 2009] Retrieved from the Internet<URL:<http://www.divester.com/2006/12/05/go-pro-digital-hero-camera/>

>. 3 pages.  
YourDealer, 'Aputure Gigtube Digital Screen Remote Viewfinder gives you more remote control with most DSLRs,' 2009 Deals-World.com, Apr. 11, 2010, 3 pages, [Online] [Retrieved on Feb. 11, 2015] Retrieved from the Internet <URL:<http://www.deals-world.com/deals/2010/04/11/aputure-gigtube-digital-screen-remote-viewfinder-gives-you-more-remote-control-with-most-dslrs/>, Apr. 11, 2010.

ION USA, 'Wi-Fi PODZ,' Date Unknown, 2 pages. [Online] [Retrieved Oct. 11, 2016] Retrieved from the internet <<https://usa.ioncamera.com/shop/wi-fi-podz/>

>. Re-Fuel, '24hr Action Pack Battery for GoPro Hero4, Hero3+ & Hero3,' Date Unknown, 5 pages. [Online] [Retrieved Oct. 11, 2016] Retrieved from the internet <<https://re-fuel.com/action-packs/24hr-action-battery-pack.html>

>. United States Office Action, U.S. Appl. No. 14/132,554, dated Feb. 26, 2016, 31 pages.

United States Office Action, U.S. Appl. No. 14/132,554, dated Dec. 3, 2015, 28 pages.

United States Office Action, U.S. Appl. No. 14/132,554, dated Apr. 24, 2015, 13 pages.

youtube.com, Video for 'The Air Pro Wi-Fi Podz,' Aug. 18, 2014, one page, [Online] [Retrieved Oct. 11, 2016] Can be retrieved from the internet <URL:<https://www.youtube.com/watch?v=YpWZ44aCdGA>

>. youtube.com, Video for 'The WiFi PODZ Tutorial,' Jun. 15, 2012, two pages. [Online] [Retrieved Oct. 11, 2016] Can be retrieved from the internet <URL:<https://www.youtube.com/watch?v=kGGwGobzQBg>

>. United States Office Action, U.S. Appl. No. 15/187,708, dated Oct. 7, 2016, 13 pages.

International Search Report and Written Opinion for International Application No. PCT/US2014/046552, dated Aug. 18, 2014, 7 pages.

United States Office Action, U.S. Appl. No. 14/459,650, dated Jun. 10, 2015, 7 pages.

Supplementary European Search Report for European Patent Application No. EP 14829354, dated Aug. 16, 2016, 6 Pages.

European Search Report for European Patent Application No. EP 14876907.8, dated Jan. 10, 2017, 8 Pages.

PCT International Search Report and Written Opinion for PCT/US2014/058465, dated Dec. 23, 2014, 17 pages.

PCT International Search Report and Written Opinion for PCT/US2014/070655, dated Apr. 29, 2015, 13 Pages.

United States Office Action for U.S. Appl. No. 14/536,683, dated Sep. 21, 2015. 15 Pages.

United States Office Action for U.S. Appl. No. 14/536,683, dated Jun. 9, 2015, 16 pages.

United States Office Action for U.S. Appl. No. 14/536,683, dated Dec. 18, 2014, 14 Pages.

United States Office Action for U.S. Appl. No. 14/148,536, dated Jul. 9, 2014, 9 pages.

United States Advisory Action, U.S. Appl. No. 14/947,766, dated Aug. 29, 2016, three pages.

United States Office Action, U.S. Appl. No. 14/947,766, dated Nov. 9, 2016, 11 pages.

United States Office Action, U.S. Appl. No. 14/947,766, dated Aug. 16, 2016, six pages.

United States Office Action, U.S. Appl. No. 14/947,766, dated Apr. 21, 2016, 13 pages.

JP-05304625 A, 1993, 5 pages, (Machine Translation available from JPO website), [Online]. [Retrieved Dec. 14, 2014], Retrieved from the Internet < [http://dossier1.ipdl.inpit.go.jp/cgi-bin/tran\\_web.cgi-e-jje?u=http%3A%2F%2Fdossier1%](http://dossier1.ipdl.inpit.go.jp/cgi-bin/tran_web.cgi-e-jje?u=http%3A%2F%2Fdossier1%...)

>. Chinese Office Action dated May 30, 2018 for CN Application No. 201480072371.9, \_(6 pages).



United States Advisory Action, U.S. Appl. No. 14/521,458, dated Aug. 12, 2016, two pages.

United States Advisory Action, U.S. Appl. No. 14/521,458, dated Jun. 20, 2016, four pages.

United States Office Action, U.S. Appl. No. 14/521,458, dated Sep. 20, 2016, 16 pages.

United States Office Action, U.S. Appl. No. 14/521,458, dated Feb. 25, 2016, 13 pages.

United States Office Action, U.S. Appl. No. 14/521,458, dated Jul. 28, 2015, 12 pages.

PCT International Search Report and Written Opinion for PCT/US15/45403, dated Nov. 19, 2015, 12 Pages.

United States Office Action, U.S. Appl. No. 15/180,535, dated Jan. 17, 2017, 12 pages.

Fantaseal Action Camera Bike Mount Aluminum Alloy 2-Rail Saddle Bike Seat Mount for GoPro Pro Seat Rail Mount GoPro Bike Mount GoPro Bicycle Seat Rack Mount for GoPro Garmin Virb XE SJCAM DBPOWER-BK. Online, published date unknown. Retrieved on May 23, 2018 from URL: <https://www.amazon.com/fantaseal-action-camera-bi> (1 page).

Pro Camera Bracket Integrated Mount. Online, published date unknown. Retrieved on May 23, 2018 from URL: <https://www.annaincycling.com/pro-camera-bracket-integrated-mount-black-17-pro-saddle-c-onnpatible-prac0129/p612468> (1 page).

United States Office Action for U.S. Appl. No. 14/149,502, dated Jul. 9, 2014, 8 pages.

United States Office Action for U.S. Appl. No. 14/495,673, dated Mar. 24, 2015, 15 pages.

United States Office Action for U.S. Appl. No. 14/495,673, date Jan. 28, 2015, 16 pages.

United States Office Action for U.S. Appl. No. 14/495,673, dated Nov. 7, 2014, 16 pages.

PCT International Search Report and Written Opinion for PCT/US15/45403, date Nov. 19, 2015, 12 Pages.

Office Action for U.S. Appl. No. 14/521,458, date Jul. 28, 2015, 12 Pages.

Office Action for U.S. Appl. No. 14/521,458, dated Feb. 25, 2016, 13 Pages.

'Day of the (most recent) update in DPMAregister' (German Patent and Trademark Office) Jul. 5, 2014 (Jul. 5, 2014), 19 Pages, [Online] retrieved from DPMAregister <URL:[https://register.dpma.de/DPMAregister/pat/register/PAT2020130052392\\_2015-10-137AKZ=2020130052392&VIEW=pdf](https://register.dpma.de/DPMAregister/pat/register/PAT2020130052392_2015-10-137AKZ=2020130052392&VIEW=pdf)>, (used to establish publication date of 'File Inspection' publication by Maas listed directly above).

File Inspection—DE 20 2013 005 239.2, (MAAS) Retrieved on Oct. 13, 2015 (Oct. 13, 2015) entire document, 4 Pages, [Online] retrieved from DPMAregister <URL:<https://registerdpma.de/DPMAregister/pat/PatAkteneinsicht?akz=2020130052392>>.

PCT International Search Report and Written Opinion for PCT/US15/43958, dated Nov. 9, 2015, 14 Pages.

United States Office Action, U.S. Appl. No. 14/606,018, dated Dec. 2, 2016, 19 pages.

United States Office Action, U.S. Appl. No. 14/606,018, dated Jul. 15, 2016, 21 pages.

United States Office Action, U.S. Appl. No. 14/606,018, dated Jun. 2, 2016, 19 pages.

United States Office Action, U.S. Appl. No. 14/606,018, dated Jan. 13, 2016, 16 pages.

Pro Standard, "The Grill Mount Multi-Function Mouth Mount," Date unknown, 8 Pages, [online] Retrieved on Jul. 25, 2017] Retrieved from the internet <URL:<https://www.prostandard.com/collections/pro-standard/products/the-grill-mount?variant=7683423299>>.

Instagram Account for "mygomount", First post uploaded on Mar. 19, 2017, 3 Pages, [online] Retrieved on Jul. 25, 2017] Retrieved from the internet <URL:<https://www.instagram.com/mygomount/?hl=en>>.

PCT International Search Report and Written Opinion for PCT/US2015/028377, dated Jul. 24, 2015, 16 Pages.

"WoCase 360 Degree Panoramic Swiveling Glove Mount Hand Mount (Compatible with left handed) for GoPro HERO4 HERO3+3 2 1 Cameras (Rotary Mount, Retail Package, Gifting Ready)," Amazon.com, Jul. 11, 2013, 8 pages, [online] [retrieved on Feb. 22,

2020] Retrieved from the internet <URL:[http://www.amazon.com/WoCase-Panoramic-Swiveling-Compatible-Cameras/dp/B00HMLYMHW/ref=pd\\_sim\\_sbs\\_421\\_1?ie=UTF8&dpID=51%02BoLD9jb2L&dpSrc=sims&preST=\\_AC\\_UL160\\_SR160%2C160\\_&refRID=097XMG8E8BDXQAJRSS0D](http://www.amazon.com/WoCase-Panoramic-Swiveling-Compatible-Cameras/dp/B00HMLYMHW/ref=pd_sim_sbs_421_1?ie=UTF8&dpID=51%02BoLD9jb2L&dpSrc=sims&preST=_AC_UL160_SR160%2C160_&refRID=097XMG8E8BDXQAJRSS0D)>.

PCT International Search Report and Written Opinion for PCT/US15/56478, dated Jan. 15, 2016, 9 Pages.

United States Office Action, U.S. Appl. No. 14/854,040, dated Feb. 4, 2016, 7 pages.

<http://web.archive.org/web/20190503083635/http://www.fvshare.com:80/en/vitag> No te—wayback machine link may take extra time to load pictures May 3, 2019, 8 pages.

<https://www.youtube.com/watch?v=sOfMcPM5Xg4> (@7:08 mark), retrieved Feb. 22, 2020. No pdf attached.

[https://www.amazon.com/Tripod-Pistol-Cameras-Weighing-2-5lbs/dp/B0739YGN9M/ref=s\\_r\\_1\\_1?keywords=Handheld+Grip+Mini+Tripod+Stand+for+DC+Digital+Camera+Camcorder&qid=1582047442&sr=8-1](https://www.amazon.com/Tripod-Pistol-Cameras-Weighing-2-5lbs/dp/B0739YGN9M/ref=s_r_1_1?keywords=Handheld+Grip+Mini+Tripod+Stand+for+DC+Digital+Camera+Camcorder&qid=1582047442&sr=8-1), Retrieved Feb. 22, 2020, 9 pages.

[https://www.amazon.com/Adjust-Straight-Joints-HSU-Direction/dp/B01IQPD9DU/ref=sr\\_1\\_1?keywords=long+and+short+straight+joint+tripod+mount+adapter+for+GoPro+hero+5+4+3&qid=1582047554&sr=8-1](https://www.amazon.com/Adjust-Straight-Joints-HSU-Direction/dp/B01IQPD9DU/ref=sr_1_1?keywords=long+and+short+straight+joint+tripod+mount+adapter+for+GoPro+hero+5+4+3&qid=1582047554&sr=8-1), retrieved Feb. 22, 2020, 9 pages.

[https://www.amazon.com/Fotasy-Aluminum-Folding-Release-Cameras/dp/B0058FJHR4/ref=sr\\_1\\_8?keywords=z+tripod+mount&qid=1582047698&sr=8-8](https://www.amazon.com/Fotasy-Aluminum-Folding-Release-Cameras/dp/B0058FJHR4/ref=sr_1_8?keywords=z+tripod+mount&qid=1582047698&sr=8-8), retrieved Feb. 22, 2020, 10 pages.

Vixen Polarie Star Tracker Review. [online] Published date Mar. 22, 2013. Retrieved on Oct. 25, 2016 from <URL: <https://www.ephotozine.com/article/vixen-polarie-star-tracker-review-21516>> 6 pages.

URL:<http://www.fvshare.com/en/vitag>, retrieved on Feb. 22, 2020, 8 pages.

U.S. Appl. No. 16/697,947, filed Nov. 27, 2019, 73 pages.

Spypoint Xcel Action Camera Adhesive Mount XHD-AM. Online, published date unknown. Retrieved on May 14, 2020 from URL: <https://www.opticsplanet.com/spy-point-xcel-action-camera-adhesive-mount.html>, 1 page.

\* cited by examiner

*Primary Examiner* — Vy N Koenig  
(74) *Attorney, Agent, or Firm* — Young Basile Hanlon & MacFarlane, P.C.

(57)

**CLAIM**

The ornamental design for a camera mount, as shown and described.

**DESCRIPTION**

FIG. 1 is a lower, front, left perspective view of a camera mount according to the present invention, in a first state.

FIG. 2 is a bottom plan view of the camera mount of FIG. 1.

FIG. 3 is an upper plan view of the camera mount of FIG. 1.

FIG. 4 is a front elevation view of the camera mount of FIG. 1.

FIG. 5 is a rear elevation view of the camera mount of FIG. 1.

FIG. 6 is a left elevation view of the camera mount of FIG. 1.

FIG. 7 is right elevation view of the camera mount of FIG. 1.

FIG. 8 is a lower, front, left perspective view of the camera mount of FIG. 1 in a second state.

FIG. 9 is a bottom plan view of the camera mount of FIG. 8.

FIG. 10 is an upper plan view of the camera mount of FIG. 8.

FIG. **11** is a front elevation view of the camera mount of FIG. **8**.

FIG. **12** is a rear elevation view of the camera mount of FIG. **8**.

FIG. **13** is a left elevation view of the camera mount of FIG. **8**; and,

FIG. **14** is right elevation view of the camera mount of FIG. **8**.

The ornamental design which is claimed is shown in solid lines in the drawings. Broken lines illustrate disclaimed portions of the camera mount and form no portion of the claimed design. Broken lines of equal length dashes (dash-dash) illustrate disclaimed features of the camera mount. Broken lines of unequal length dashes (dash-dot) illustrate bounds of the claimed design and for no part thereof.

**1 Claim, 14 Drawing Sheets**



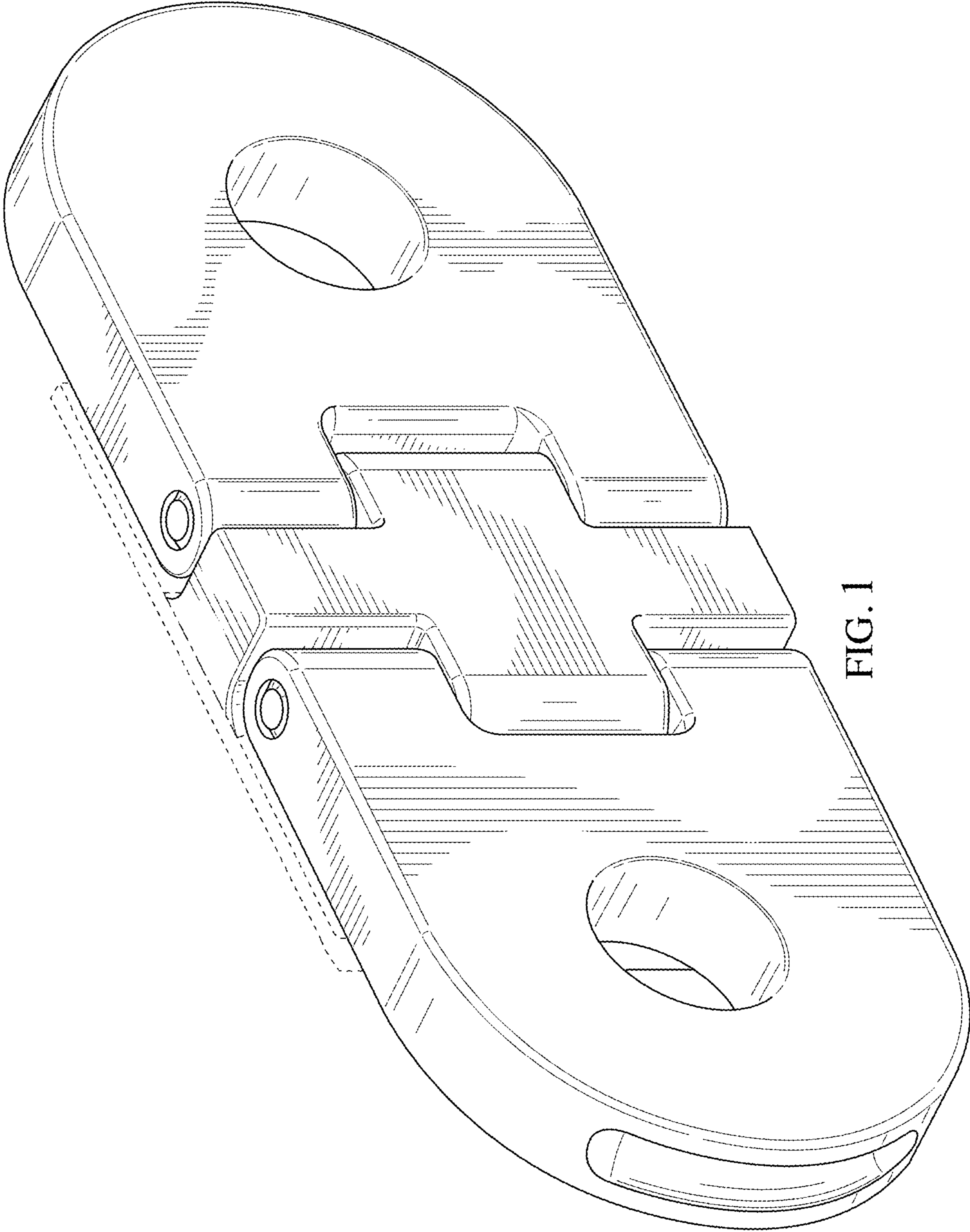


FIG. 1



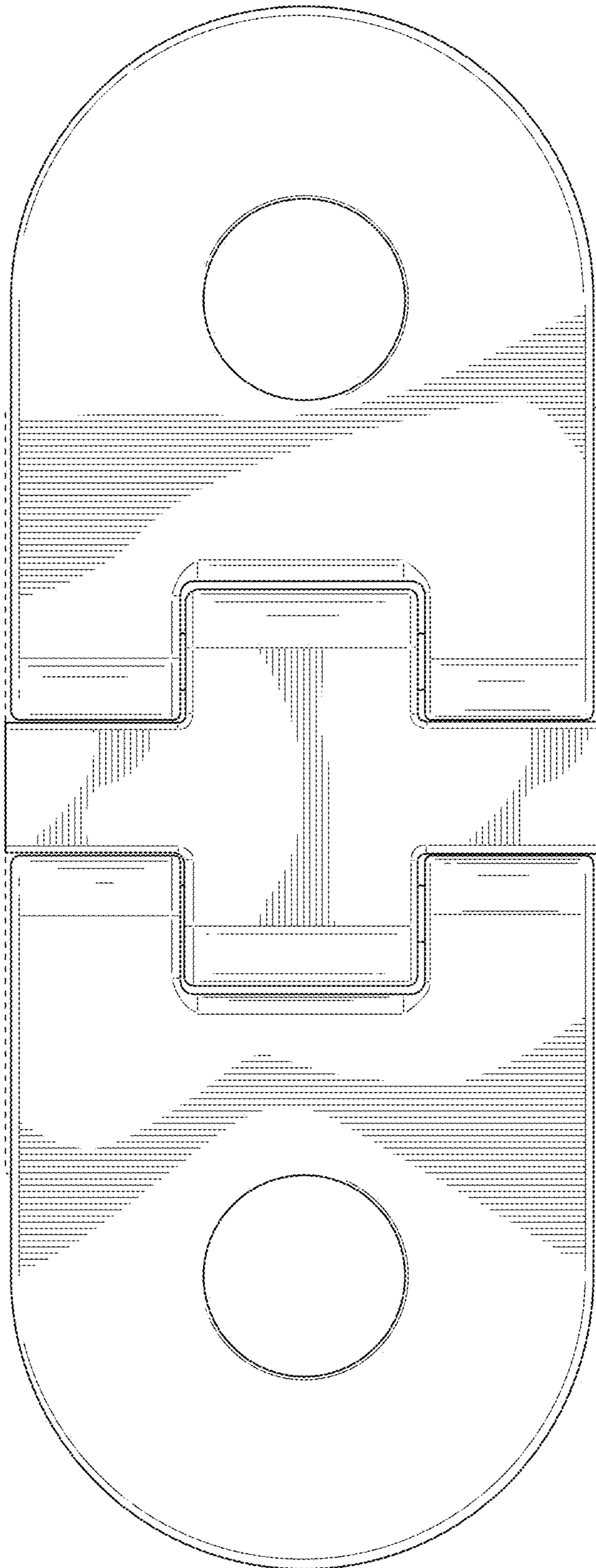


FIG. 2

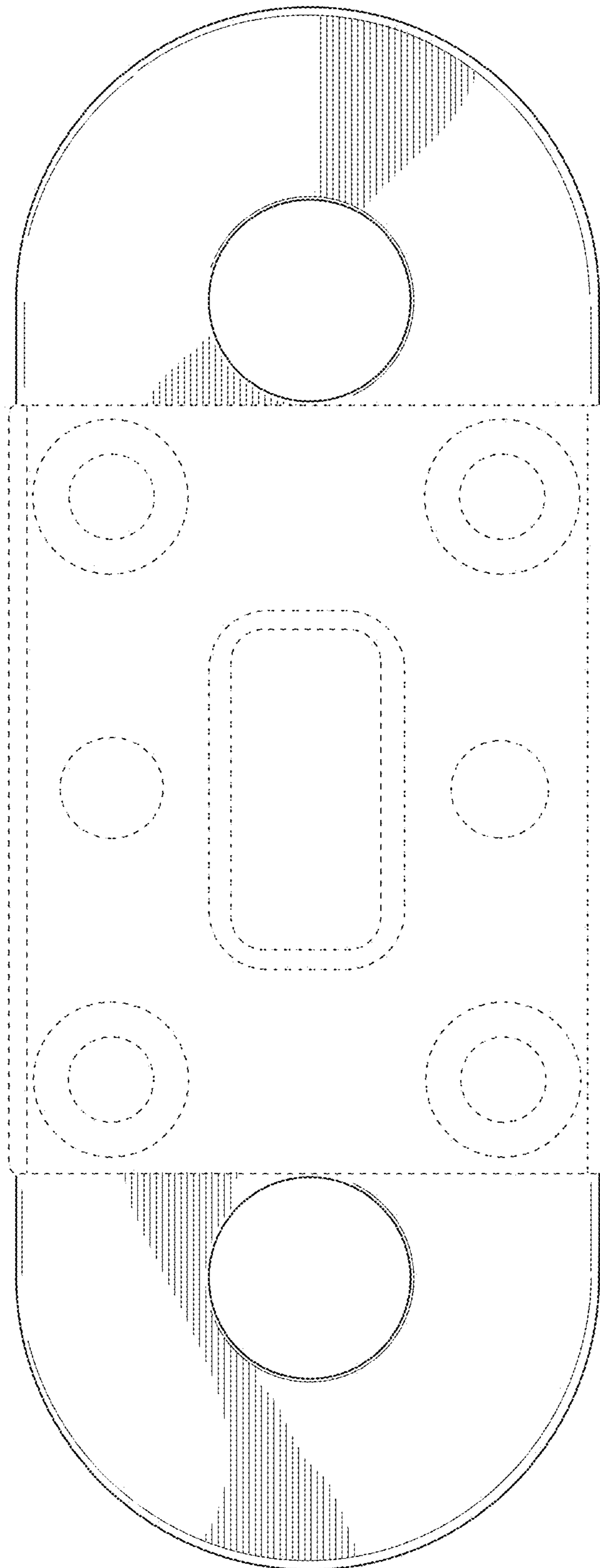


FIG. 3



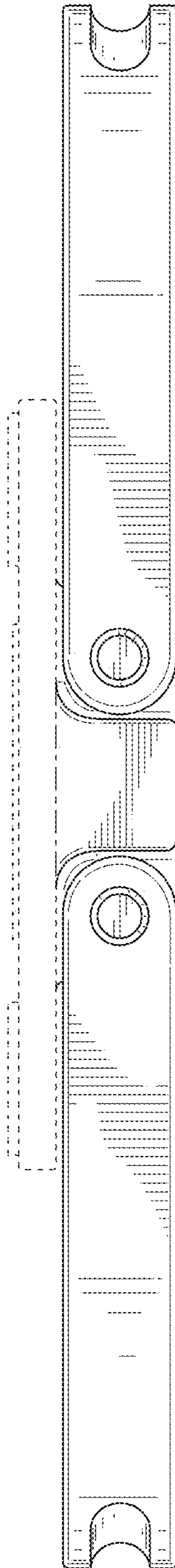


FIG. 4

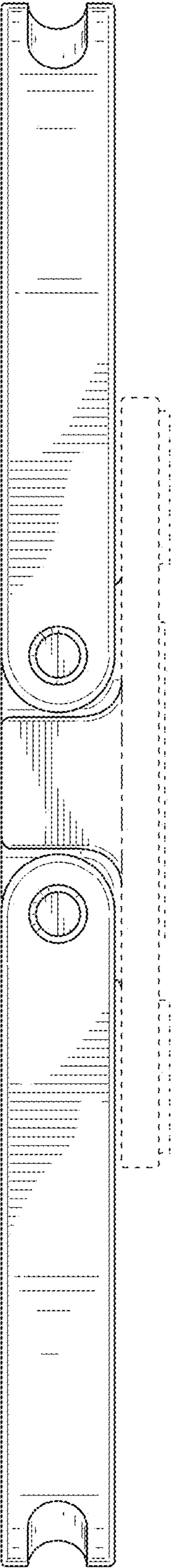


FIG. 5



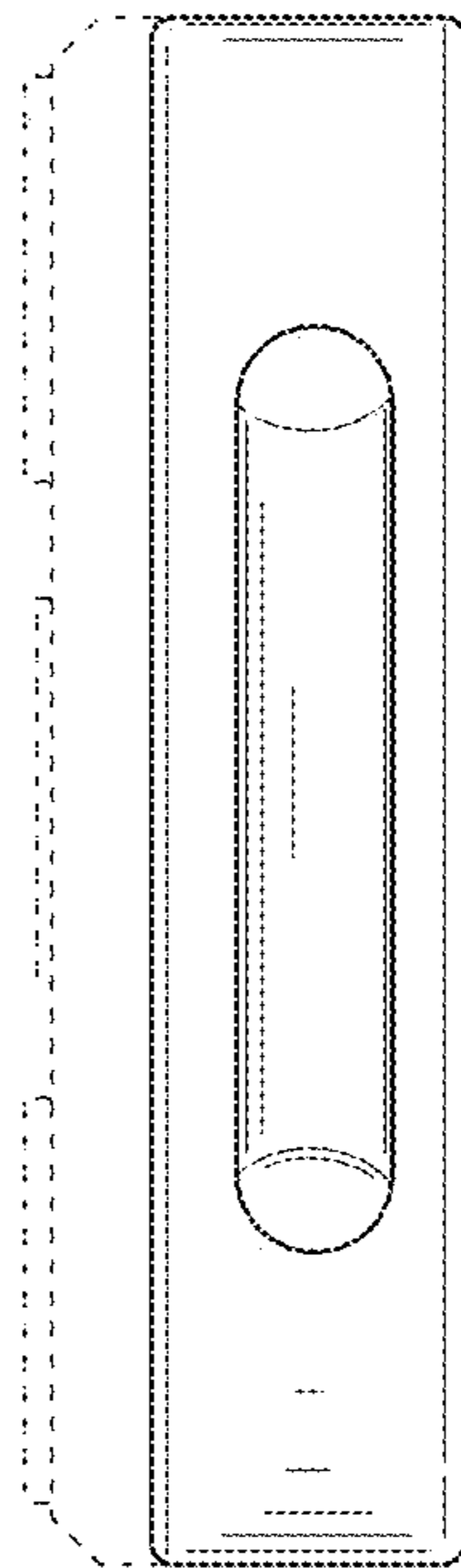


FIG. 6

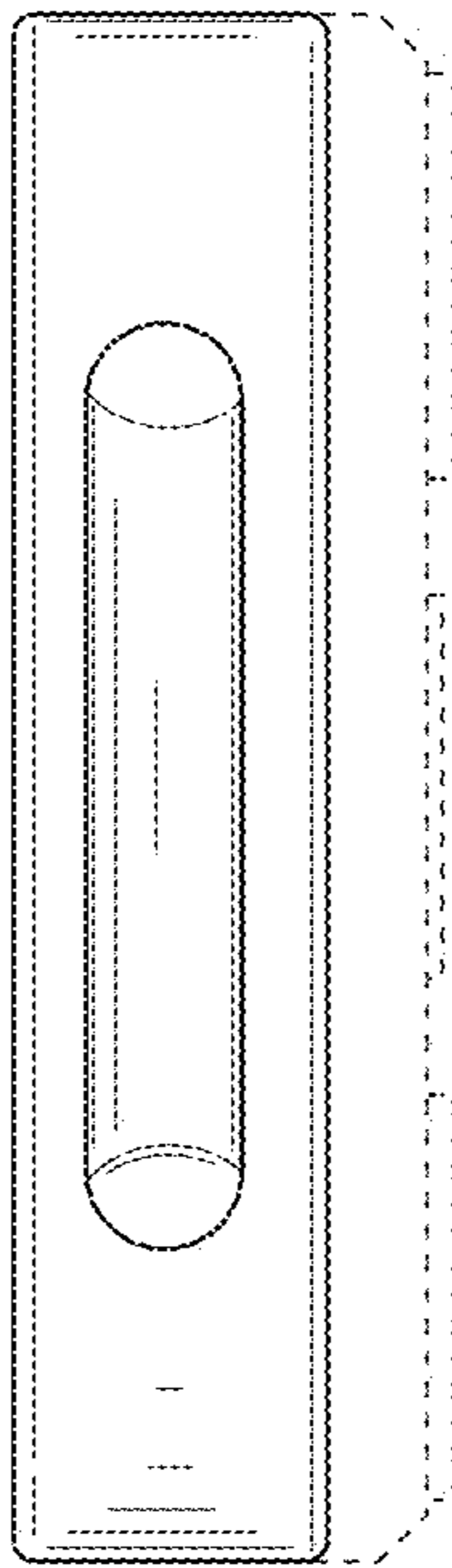


FIG. 7



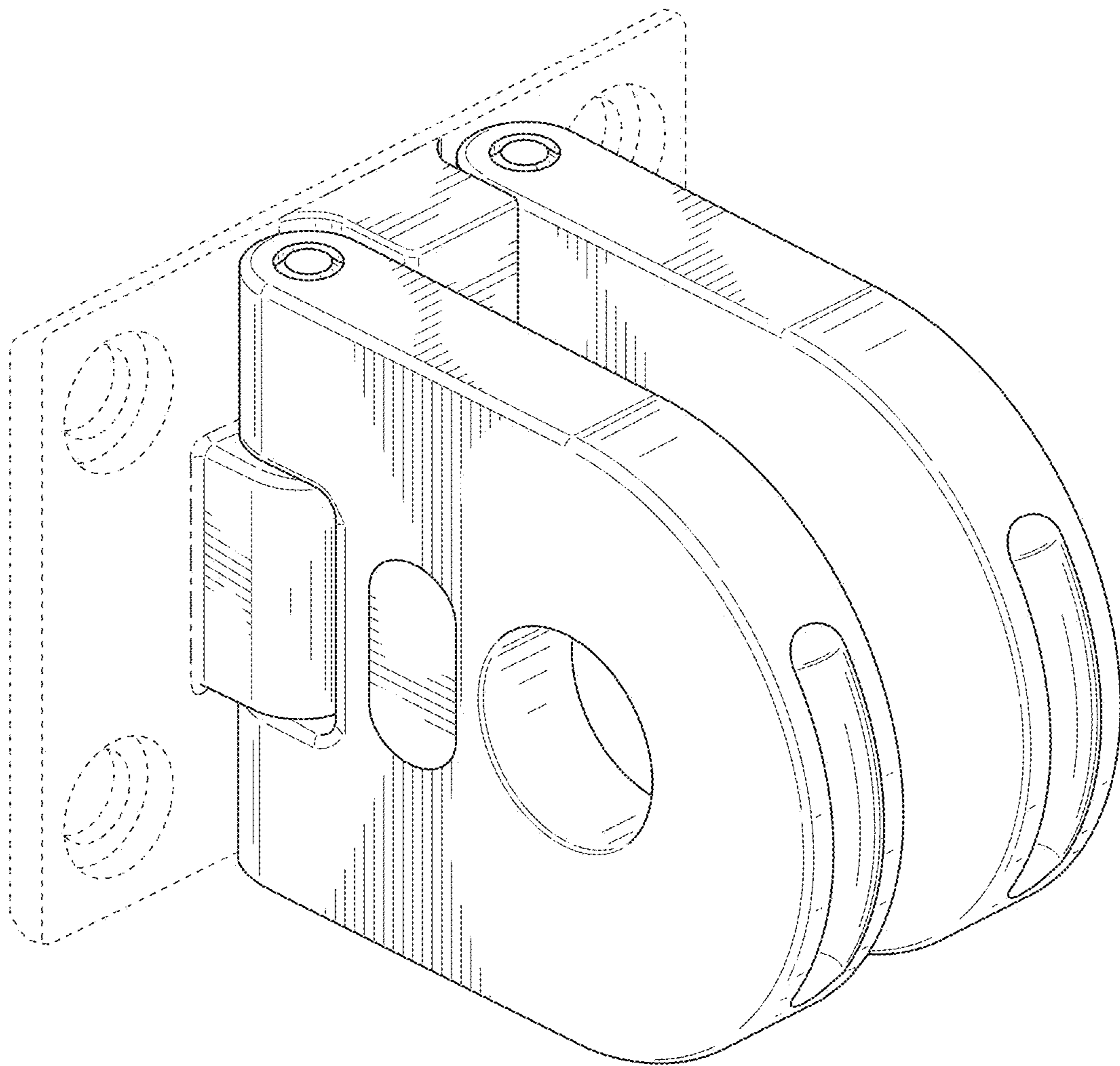


FIG. 8

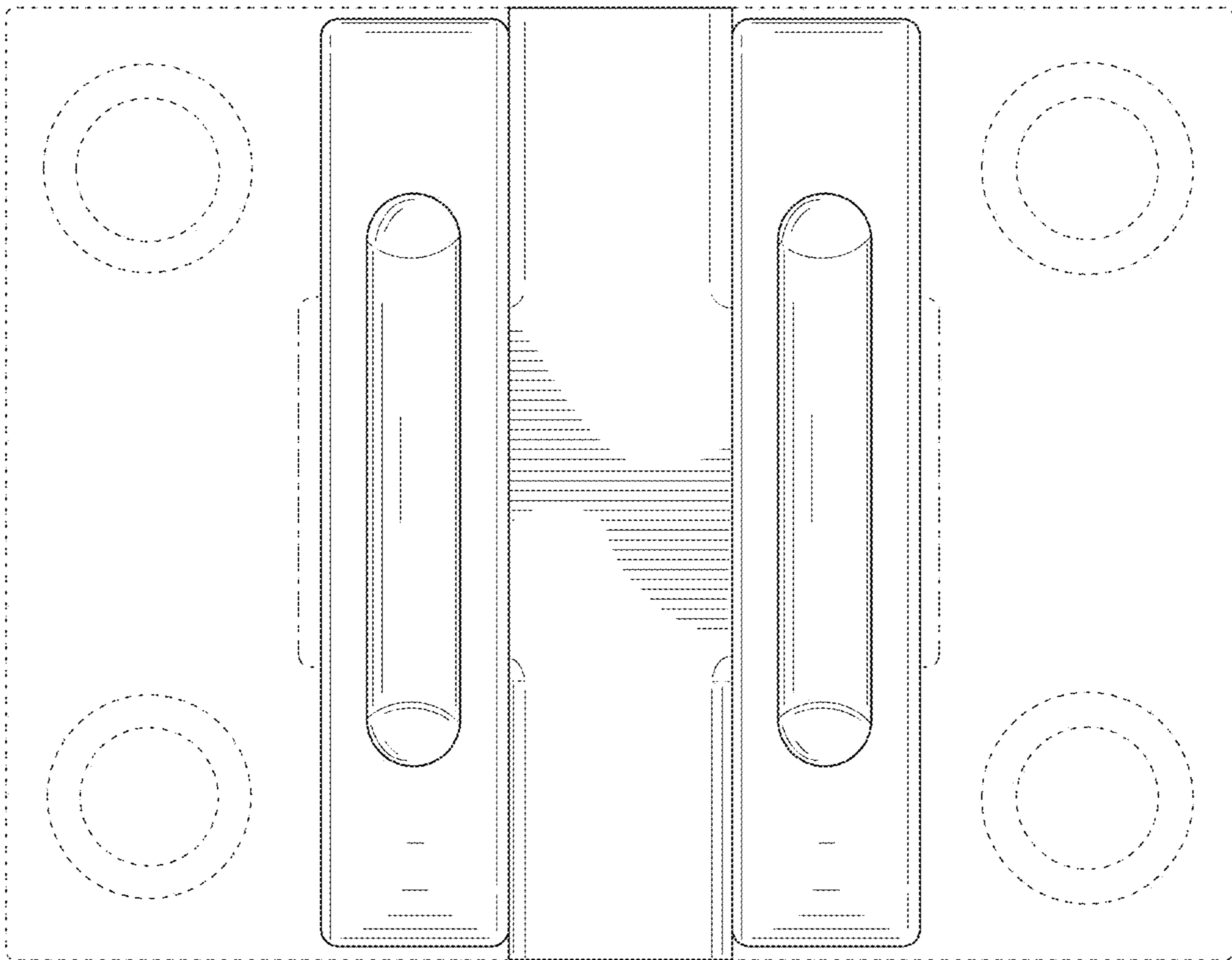


FIG. 9

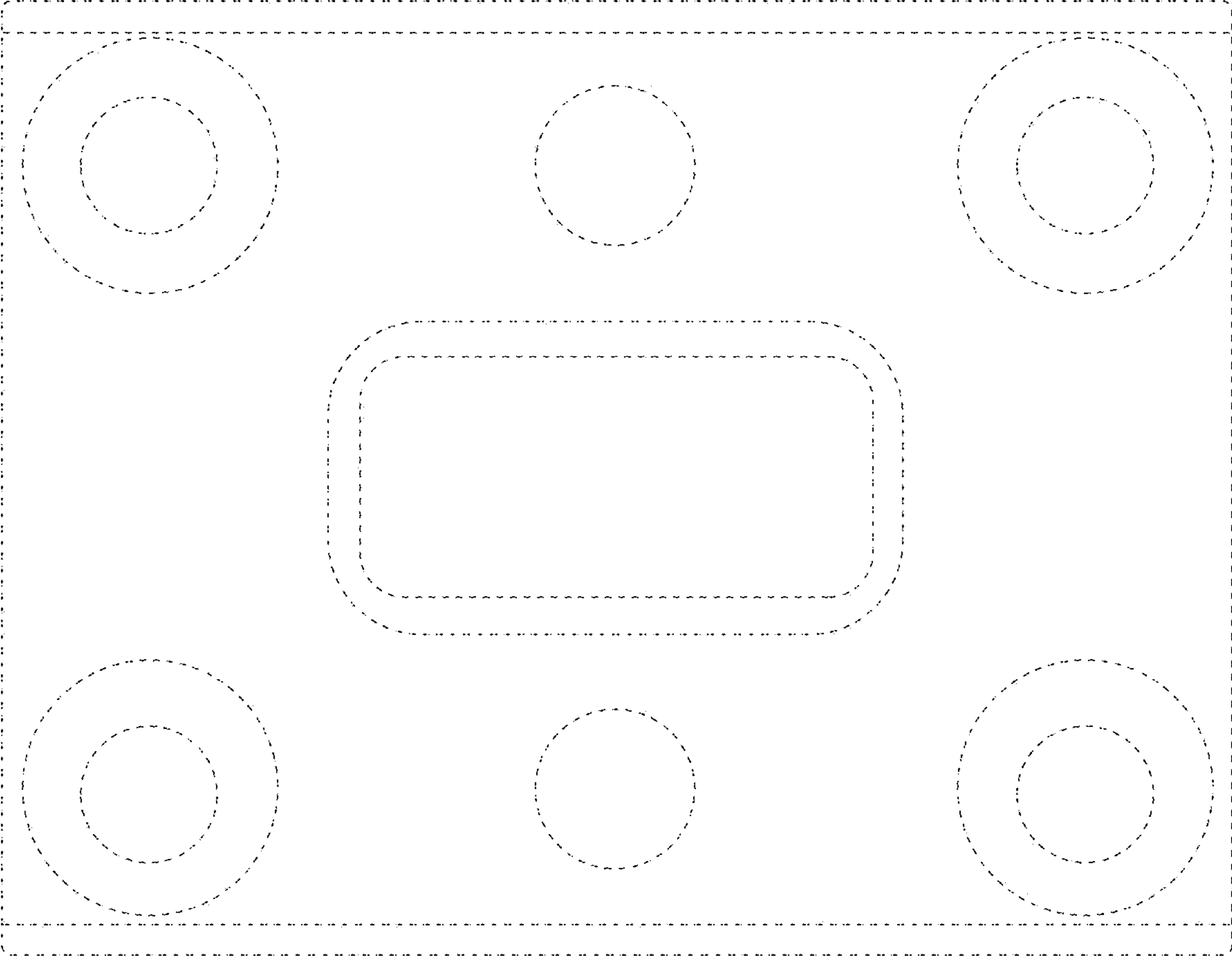


FIG. 10



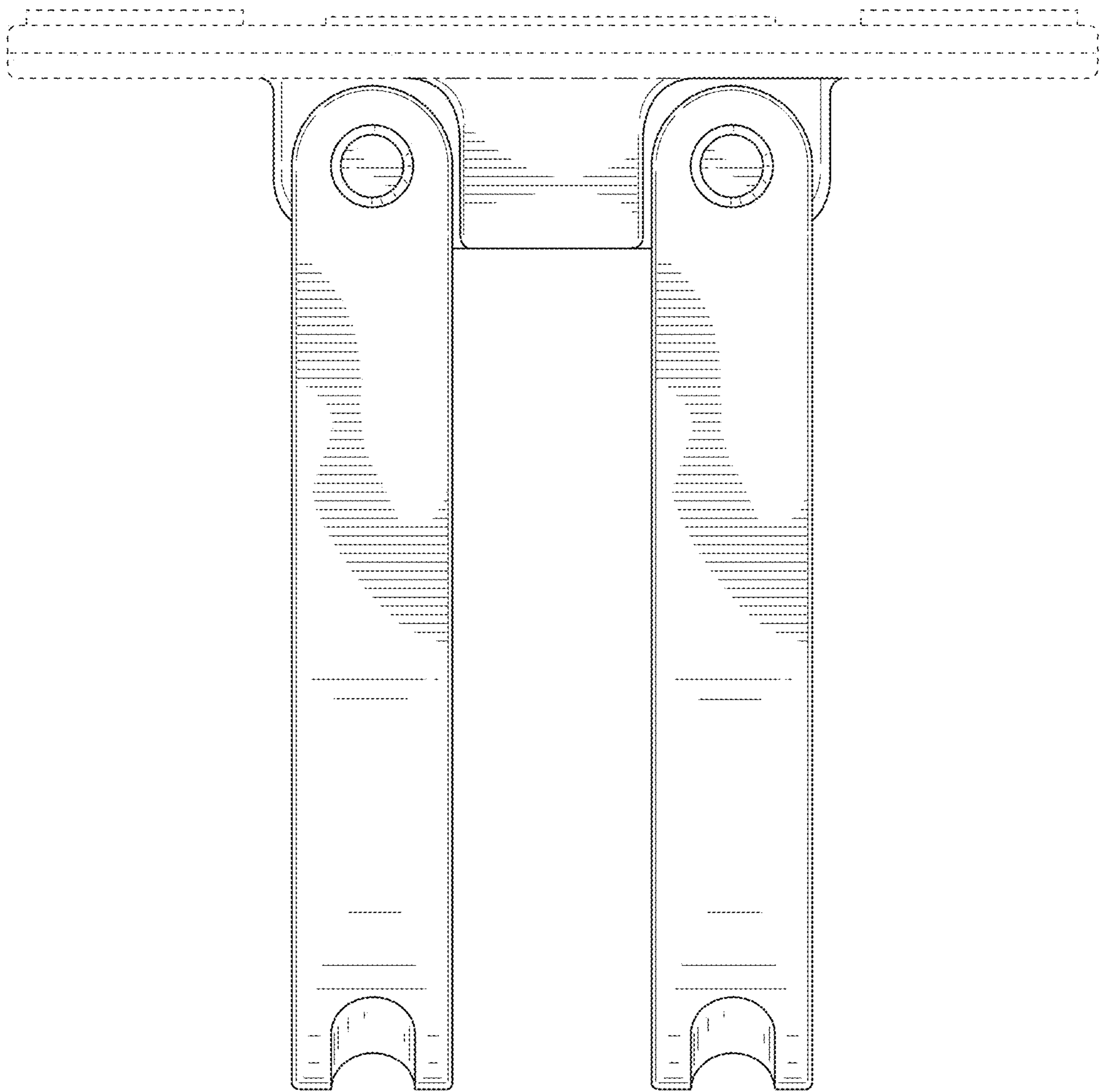


FIG. 11

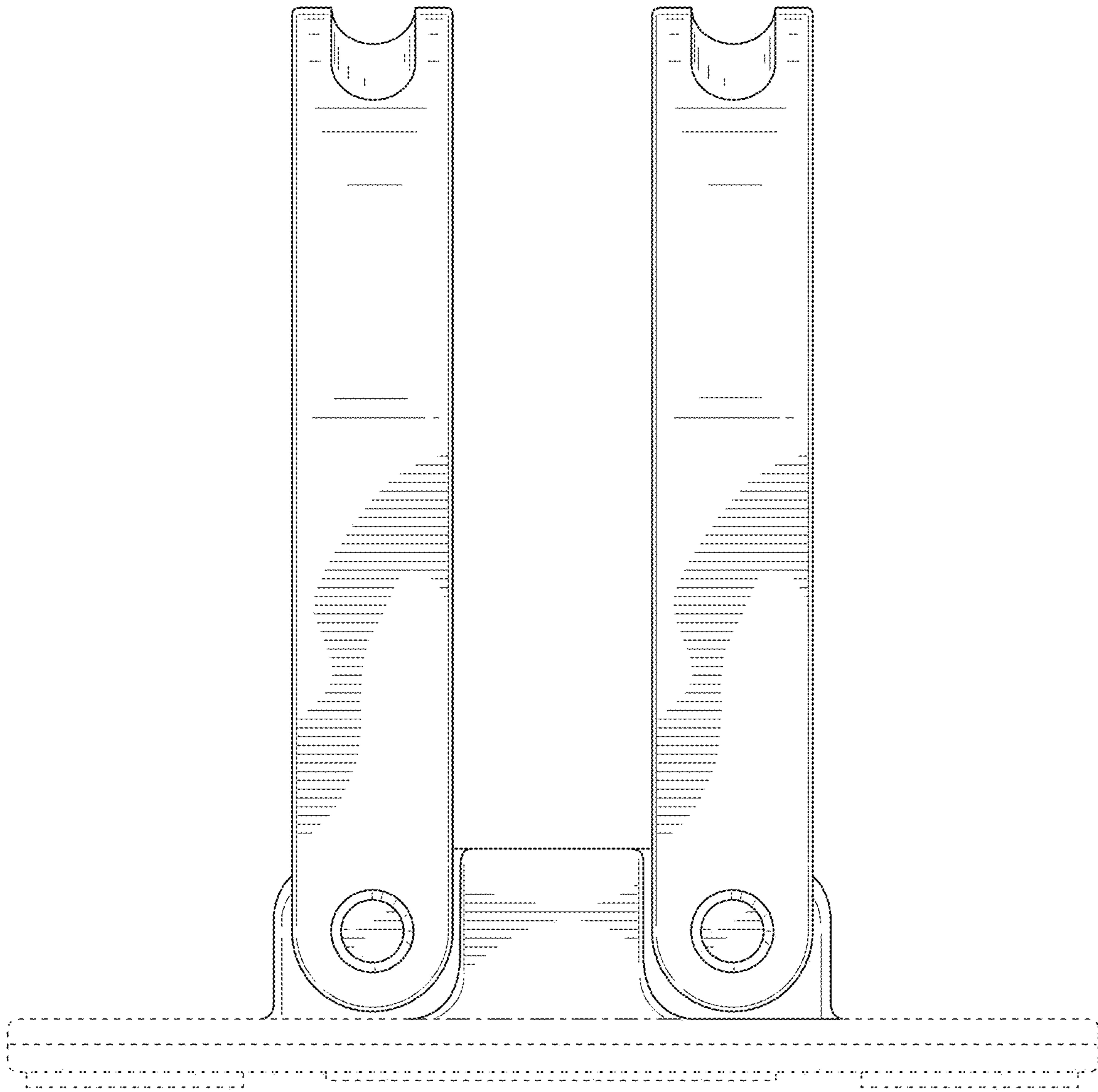


FIG. 12

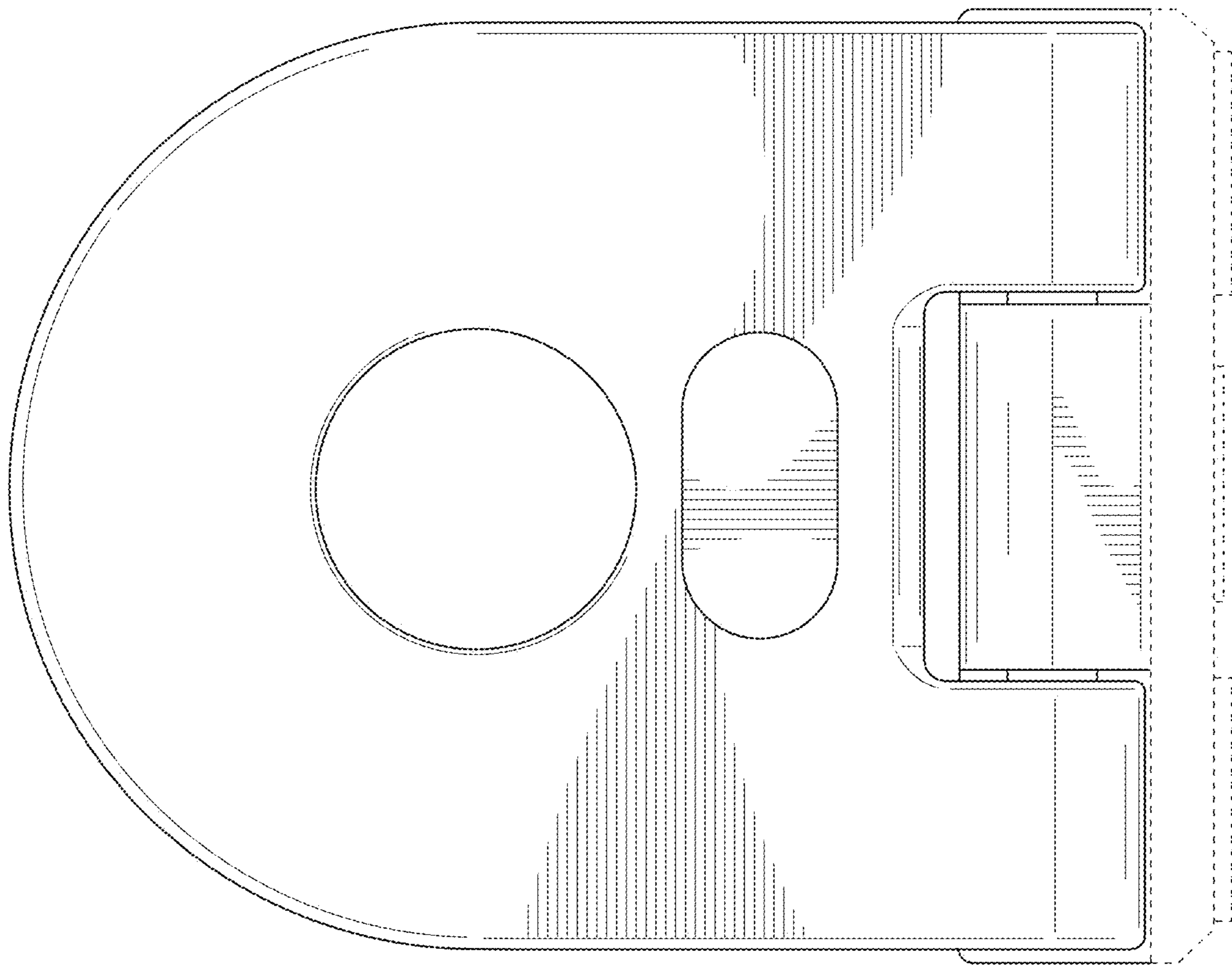


FIG. 13



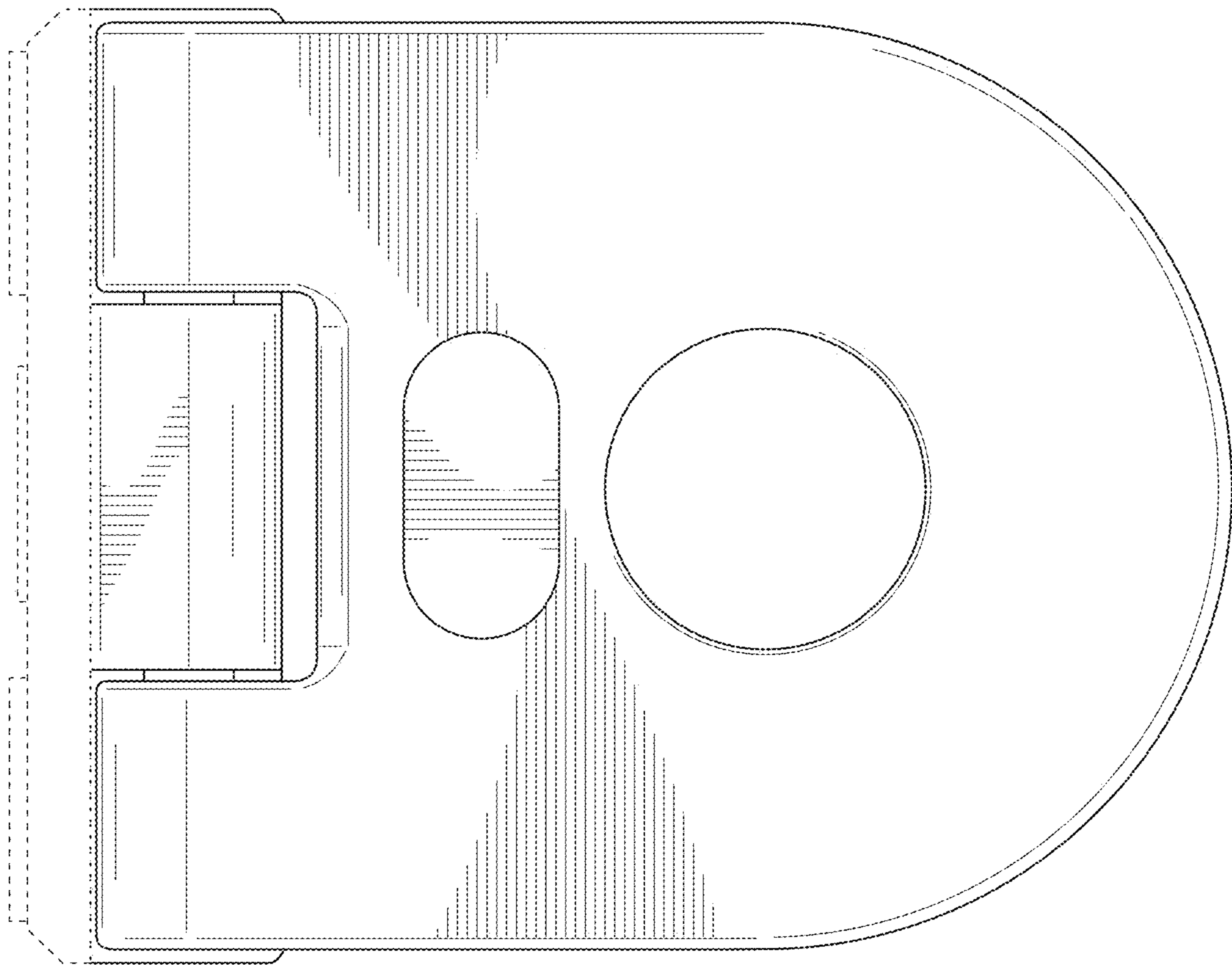


FIG. 14