



US00D905785S

(12) **United States Design Patent** (10) **Patent No.:** **US D905,785 S**  
**Cugini et al.** (45) **Date of Patent:** **\*\* Dec. 22, 2020**

(54) **OPTICAL FILTER HOLDER**  
(71) Applicant: **NOAH Systems, LLC**, Vista, CA (US)  
(72) Inventors: **Mario A Cugini**, Vista, CA (US);  
**Joshua Aaron Swett**, Oceanside, CA  
(US); **Thomas J Horner**, Vista, CA  
(US)  
(\*\*) Term: **15 Years**

D589,545 S 3/2009 Murphy et al.  
7,706,088 B2 \* 4/2010 Chung ..... G02B 7/08  
359/823  
8,385,004 B2 2/2013 Hicks  
D692,472 S \* 10/2013 Samuels ..... D16/136  
D699,275 S \* 2/2014 Samuels ..... D16/136  
D728,355 S \* 5/2015 Mai-Krist ..... D8/382  
D748,461 S \* 2/2016 Catchings ..... D8/394  
D759,140 S 6/2016 Baker et al.  
9,883,016 B2 1/2018 Eromaki  
(Continued)

(21) Appl. No.: **29/686,703**  
(22) Filed: **Apr. 5, 2019**  
(51) **LOC (12) Cl.** ..... **16-05**  
(52) **U.S. Cl.**  
USPC ..... **D16/237**  
(58) **Field of Classification Search**  
USPC ..... D16/219, 237-250; D14/229, 238, 251,  
D14/253, 447, 451, 457; D8/354, 355,  
D8/363, 373, 382-383, 394-396  
CPC ..... A45F 2200/0508-0533; A45F 5/00; A45F  
5/10; F16M 11/06-10; F16M 11/14;  
G02B 7/00-002; G03B 17/56; G03B  
17/561-566; H04N 5/2253-2254  
See application file for complete search history.

**OTHER PUBLICATIONS**

Push-On Filter Holder. [online] Retrieved Jul. 30, 2020 from URL:  
[https://www.teamworkphoto.com/online-store/offers/lee-filters-offers/push-on-filter-holder.\\*](https://www.teamworkphoto.com/online-store/offers/lee-filters-offers/push-on-filter-holder.*)

(Continued)

*Primary Examiner* — Vy N Koenig  
(74) *Attorney, Agent, or Firm* — Palomar Patent; Mary Jo Redman; Calif Tervo

(57) **CLAIM**

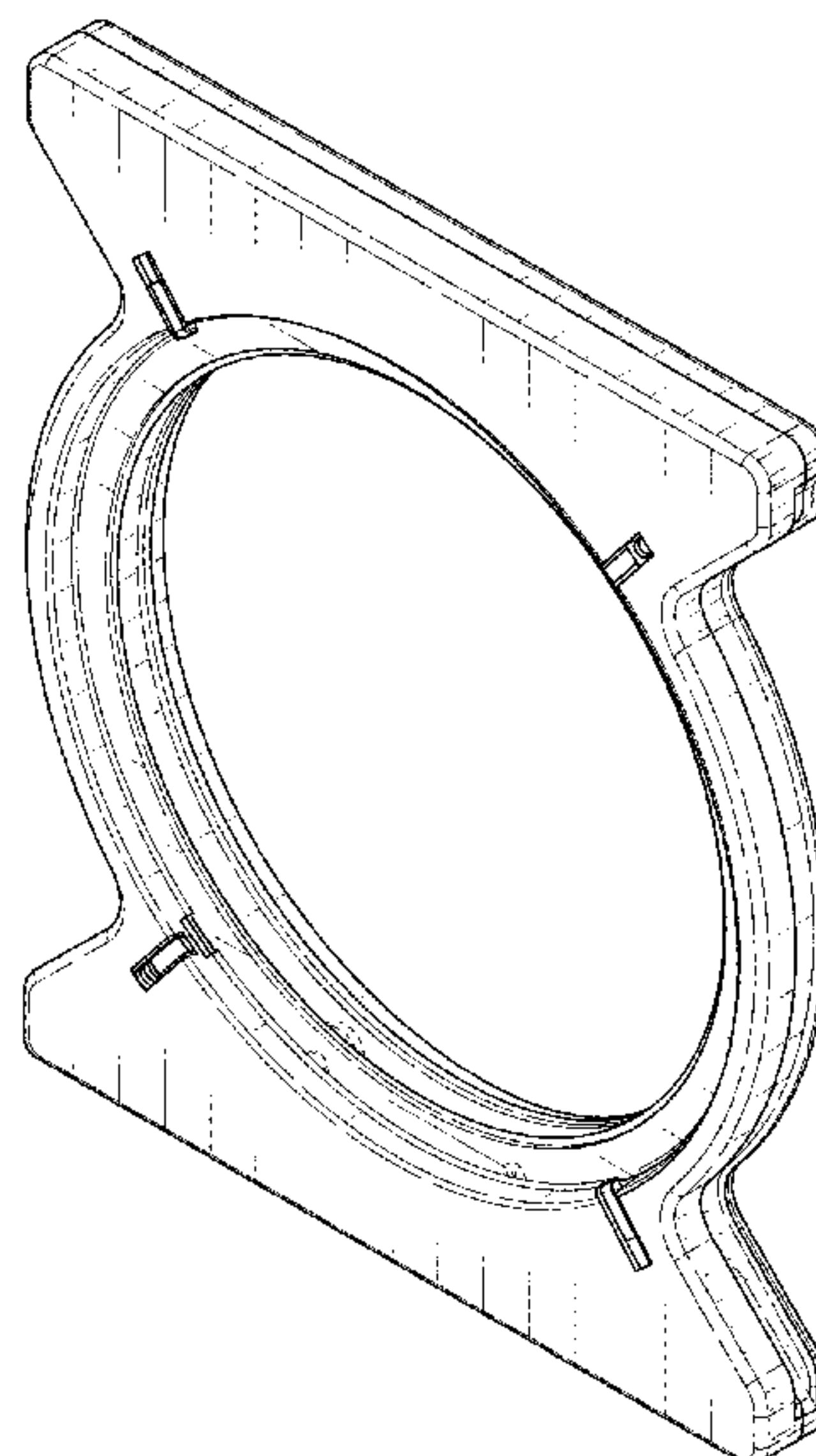
The ornamental design for an optical filter holder, as shown and described.

**DESCRIPTION**

FIG. 1 is a front, top, left side perspective view of an optical filter holder showing our new design.  
FIG. 2 is a rear, top, right side perspective view.  
FIG. 3 is a front elevation view.  
FIG. 4 is a rear elevation view.  
FIG. 5 is a top plan view; the bottom plan view being a mirror image; and,  
FIG. 6 is a left side elevation view, the right side elevation view being a mirror image.  
The broken lines shown in the drawings depict features of the optical filter holder that form no part of the claimed design.

(56) **References Cited**  
U.S. PATENT DOCUMENTS  
3,758,200 A \* 9/1973 Saito ..... G03B 11/00  
359/892  
4,302,078 A \* 11/1981 Stravitz ..... G03B 11/00  
359/892  
4,384,767 A 5/1983 Kawai  
4,390,242 A \* 6/1983 Tatsumi ..... G03B 11/00  
359/892  
4,443,061 A \* 4/1984 Coquin ..... G03B 11/00  
359/892  
5,040,011 A 8/1991 Tiffen  
5,528,328 A 6/1996 O'Farrill  
D380,296 S 7/1997 Smith  
6,102,556 A 8/2000 Lieberman et al.

**1 Claim, 5 Drawing Sheets**



(56)

**References Cited**

U.S. PATENT DOCUMENTS

D842,685 S \* 3/2019 Ito ..... D8/354  
D849,124 S \* 5/2019 Martinez ..... D16/237  
10,594,908 B2 \* 3/2020 Wei ..... H04N 5/2254  
D884,458 S \* 5/2020 Moore ..... D8/354  
D888,804 S \* 6/2020 Clark ..... D16/219  
10,721,406 B2 \* 7/2020 Moriya ..... G02B 7/08

OTHER PUBLICATIONS

V5 Holder Mods-7-14 Adapter. [online] Retrieved Jul. 30, 2020  
from URL:<https://www.philnortonphotography.co.uk/v5mods.html>.\*

\* cited by examiner

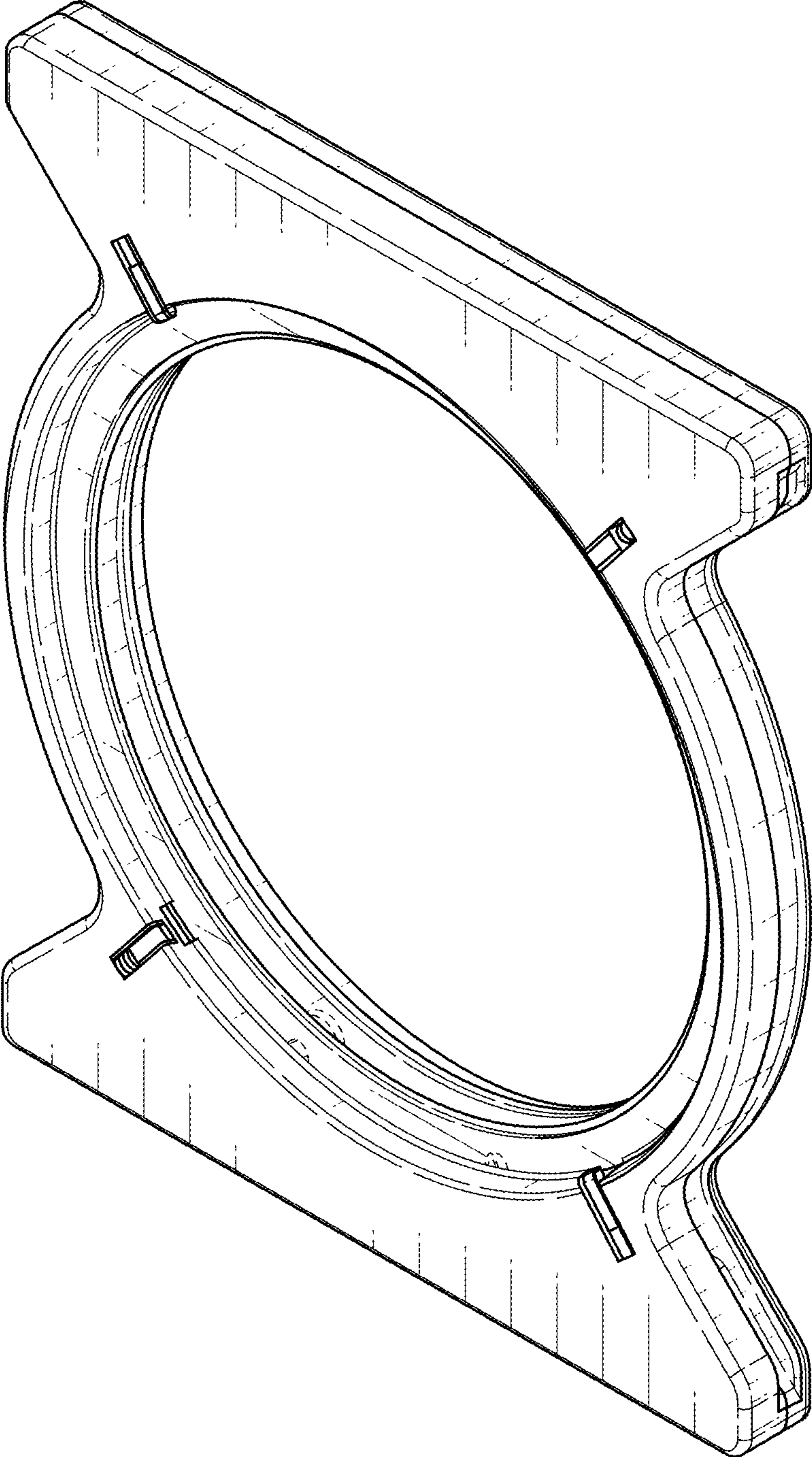


FIG. 1



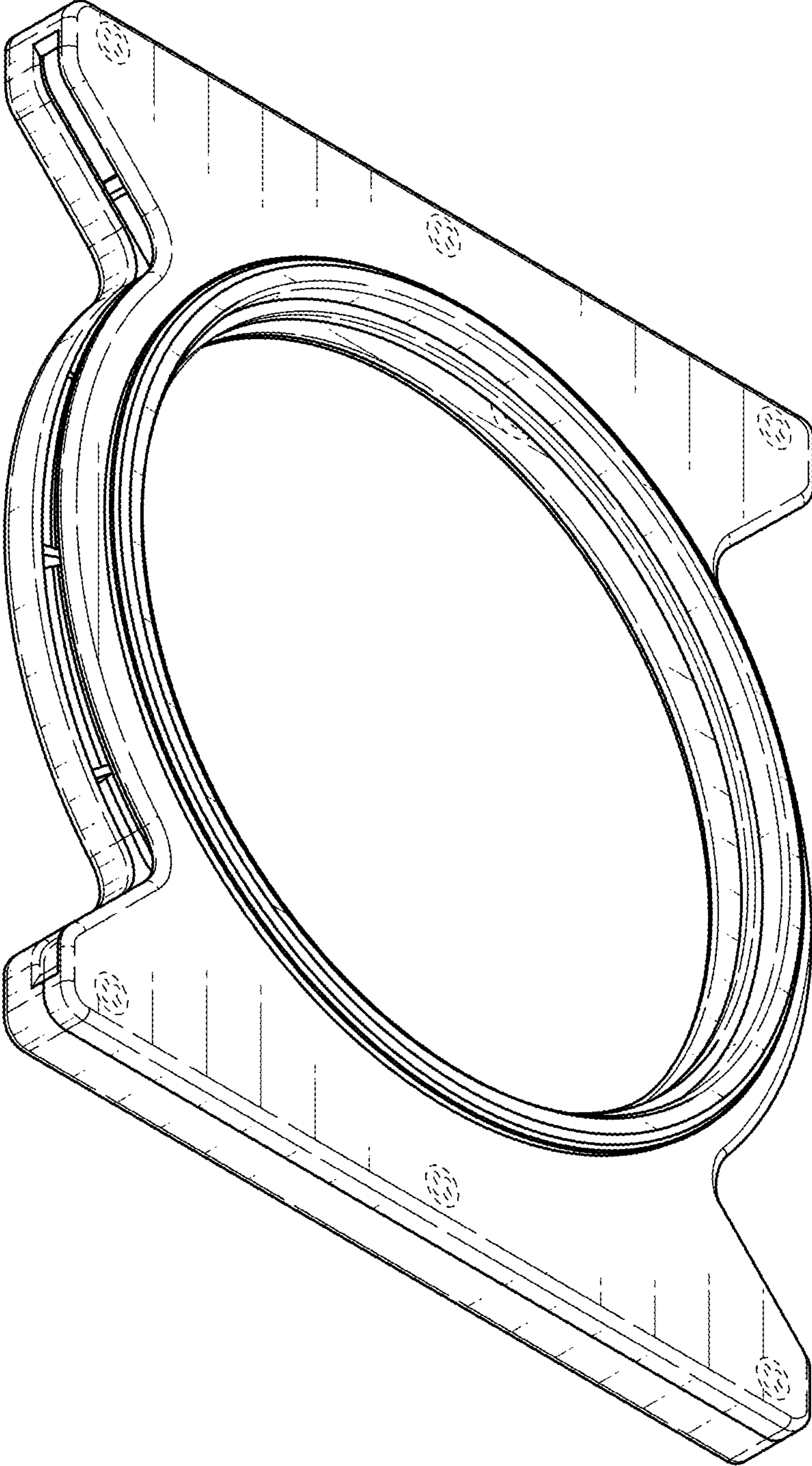


FIG. 2

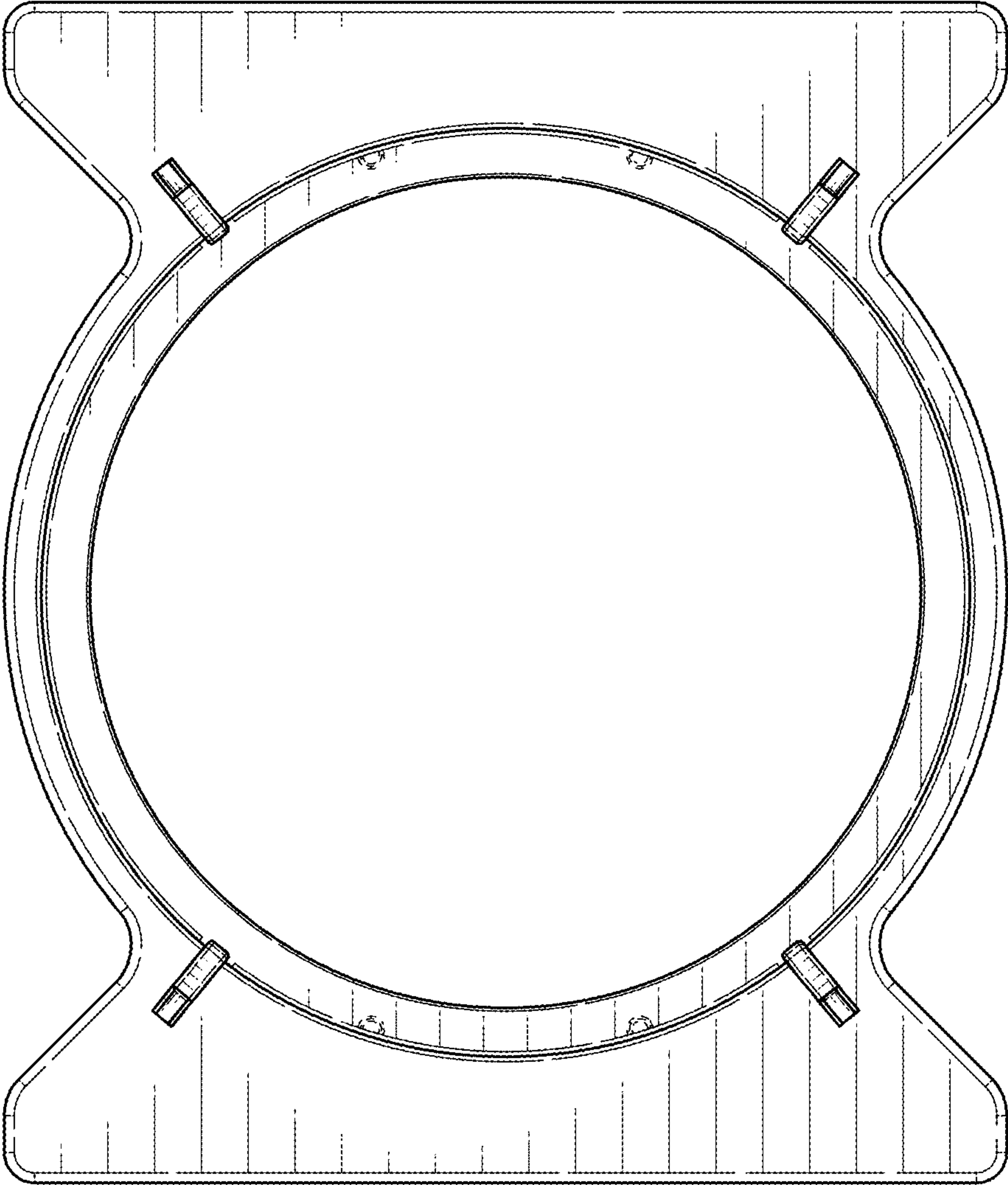


FIG. 3

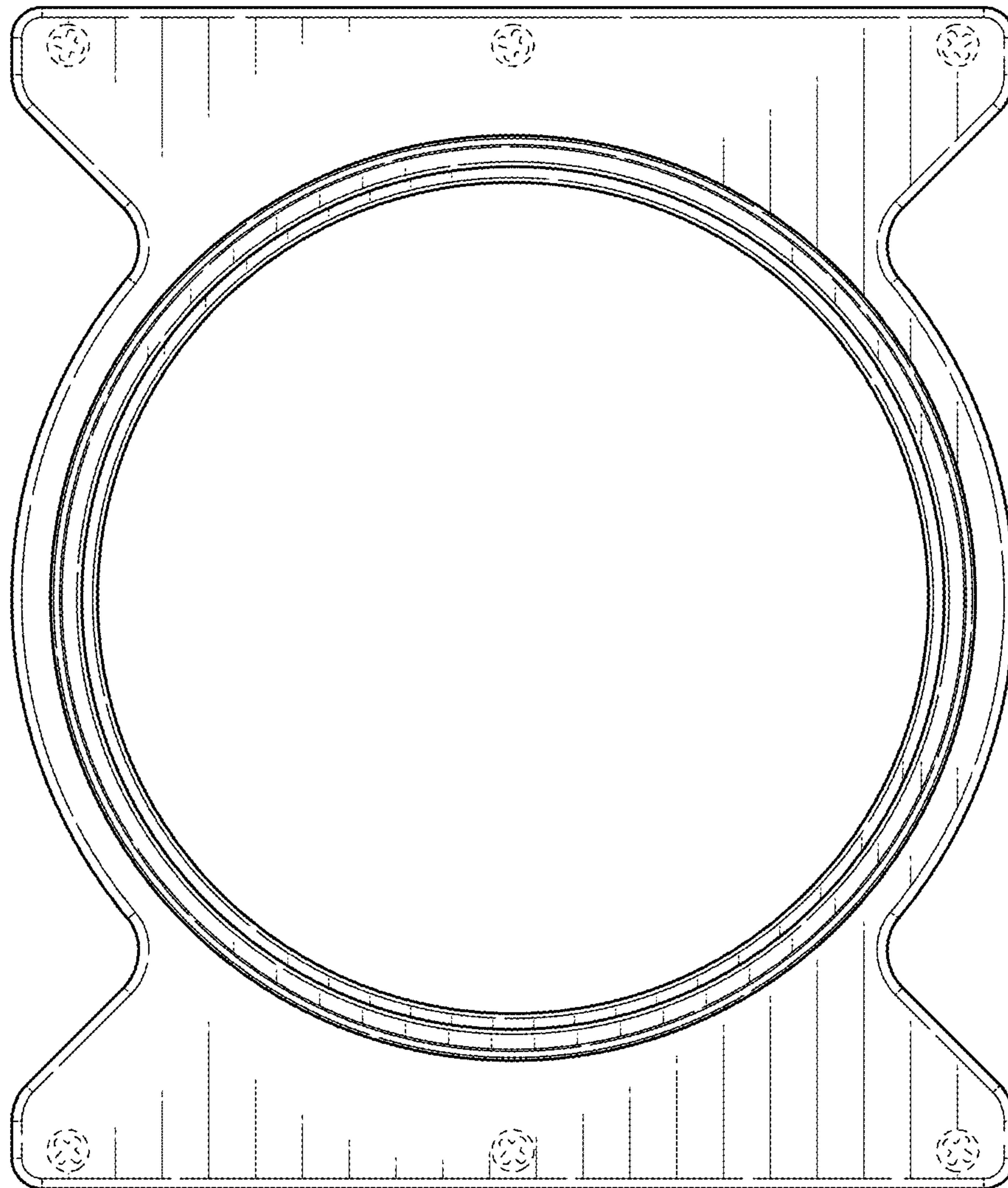


FIG. 4

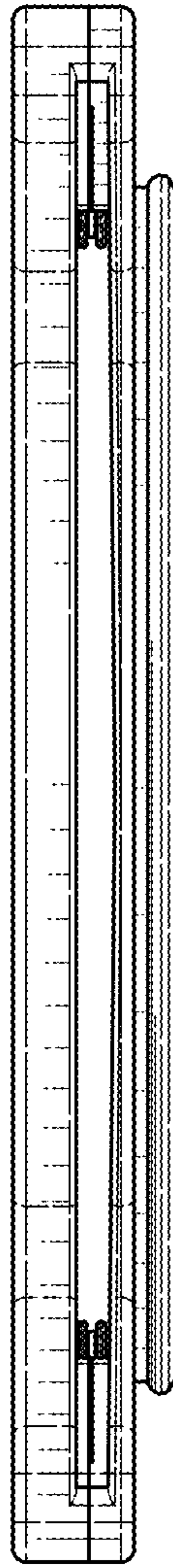


FIG. 5

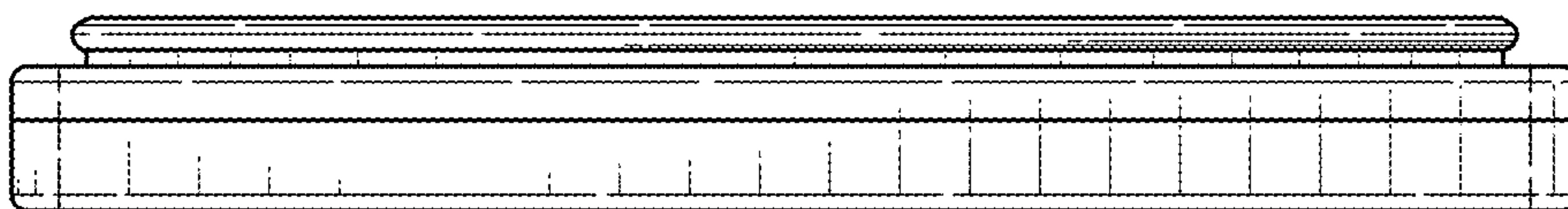


FIG. 6