



US00D905784S

(12) **United States Design Patent**
Cugini et al.

(10) **Patent No.:** **US D905,784 S**

(45) **Date of Patent:** **** Dec. 22, 2020**

(54) **CAMERA LENS ADAPTER**
(71) Applicant: **NOAH Systems, LLC**, Vista, CA (US)
(72) Inventors: **Mario A Cugini**, Vista, CA (US);
Joshua Aaron Swett, Oceanside, CA
(US); **Thomas J Horner**, Vista, CA
(US)
(**) Term: **15 Years**
(21) Appl. No.: **29/686,700**

D589,545 S 3/2009 Murphy et al.
7,706,088 B2 * 4/2010 Chung G02B 7/08
359/823
8,385,004 B2 2/2013 Hicks
D692,472 S * 10/2013 Samuels D16/136
D699,275 S * 2/2014 Samuels D16/136
D728,355 S * 5/2015 Mai-Krist D8/382
D748,461 S * 2/2016 Catchings D8/394
D759,140 S 6/2016 Baker et al.
9,883,016 B2 1/2018 Eromaki
D842,685 S * 3/2019 Ito D8/354
D849,124 S * 5/2019 Martinez D16/237

(Continued)

(22) Filed: **Apr. 5, 2019**
(51) **LOC (12) Cl.** **16-05**
(52) **U.S. Cl.**
USPC **D16/237**
(58) **Field of Classification Search**
USPC D16/219, 237-250; D14/229, 238, 251,
D14/253, 447, 451, 457; D8/354, 355,
D8/363, 373, 382-383, 394-396
CPC A45F 2200/0508-0533; A45F 5/00; A45F
5/10; F16M 11/06-10; F16M 11/14;
G02B 7/00-002; G03B 17/56; G03B
17/561-566; H04N 5/2253-2254
See application file for complete search history.

OTHER PUBLICATIONS

Push-On Filter Holder. [online] Retrieved Jul. 30, 2020 from URL:
https://www.teamworkphoto.com/online-store/offers/lee-filters-offers/push-on-filter-holder.*

(Continued)

Primary Examiner — Vy N Koenig
(74) *Attorney, Agent, or Firm* — Palomar Patent; MaryJo Redman; Calif Tervo

(57) **CLAIM**

The ornamental design for a camera lens adapter, as shown and described.

(56) **References Cited**

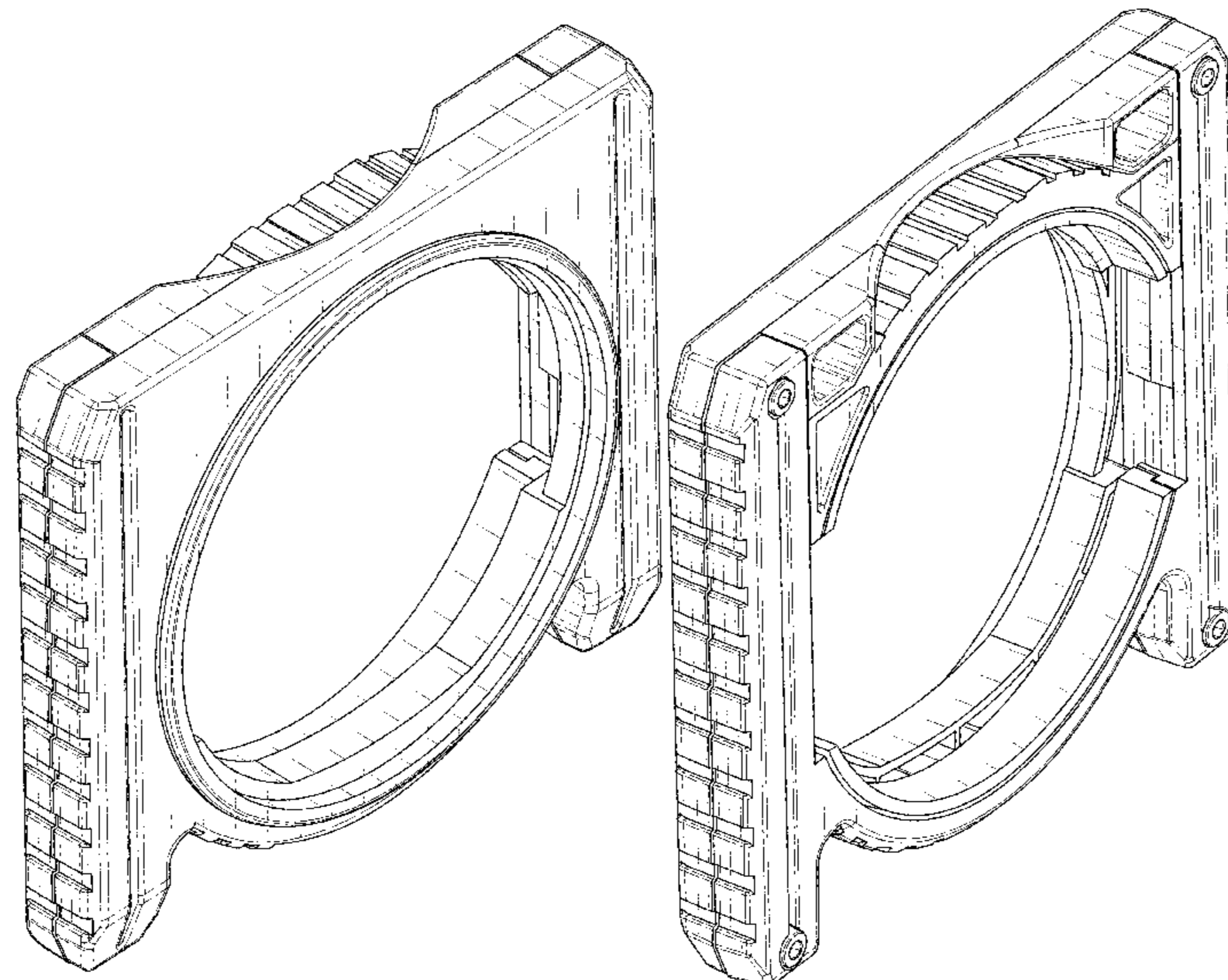
U.S. PATENT DOCUMENTS

3,758,200 A * 9/1973 Saito G03B 11/00
359/892
4,302,078 A * 11/1981 Stravitz G03B 11/00
359/892
4,384,767 A 5/1983 Kawai
4,390,242 A * 6/1983 Tatsumi G03B 11/00
359/892
4,443,061 A * 4/1984 Coquin G03B 11/00
359/892
5,040,011 A 8/1991 Tiffen
5,528,328 A 6/1996 O'Farrill
D380,296 S 7/1997 Smith
6,102,556 A 8/2000 Lieberman et al.

DESCRIPTION

FIG. 1 is a front, top, left side perspective view of a camera lens adapter showing our new design.
FIG. 2 is a rear, top, right side perspective view.
FIG. 3 is a front elevation view.
FIG. 4 is a rear elevation view.
FIG. 5 is a top plan view;
FIG. 6 is a bottom plan view.
FIG. 7 is a left side elevation view.
FIG. 8 is a right side elevation view; and,
FIG. 9 is a rear, bottom, left side perspective view.

1 Claim, 7 Drawing Sheets



(56)

References Cited

U.S. PATENT DOCUMENTS

10,594,908 B2 * 3/2020 Wei H04N 5/2254
D884,458 S * 5/2020 Moore D8/354
D888,804 S * 6/2020 Clark D16/219
10,721,406 B2 * 7/2020 Moriya G02B 7/08

OTHER PUBLICATIONS

V5 Holder Mods-7-14 Adapter. [online] Retrieved Jul. 30, 2020
from URL: <https://www.philnortonphotography.co.uk/v5mods.html>.*

* cited by examiner

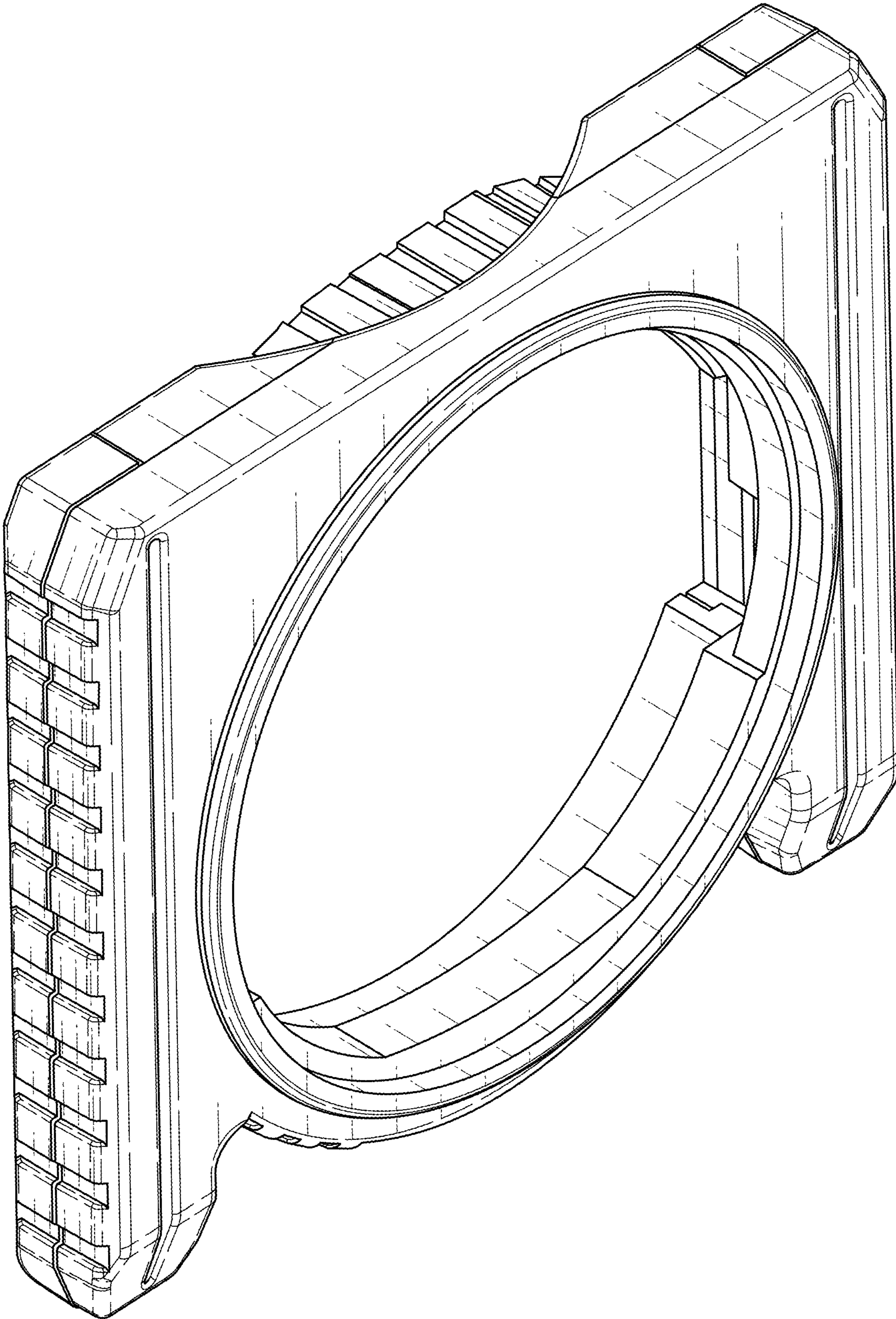


FIG. 1

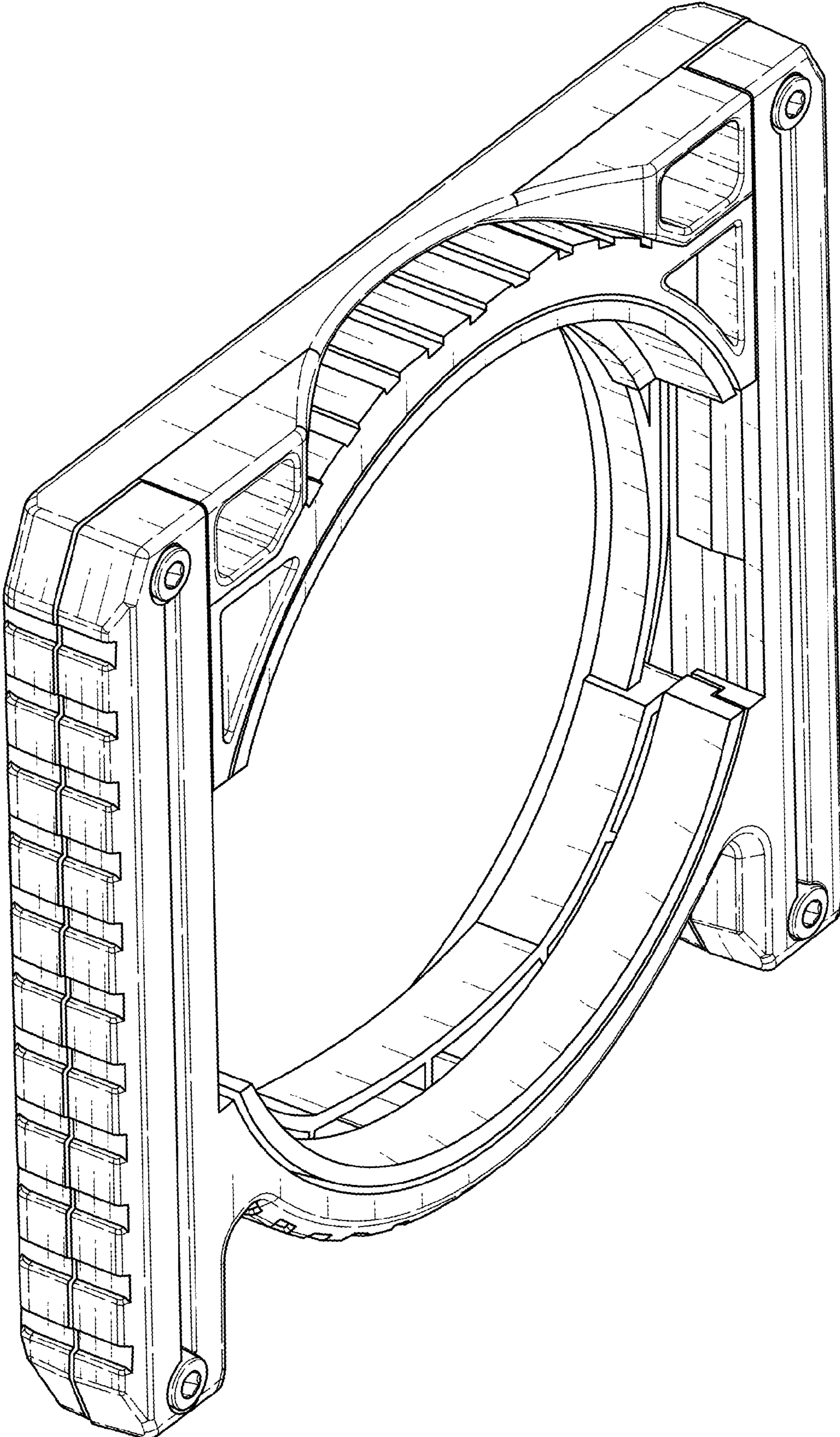


FIG. 2

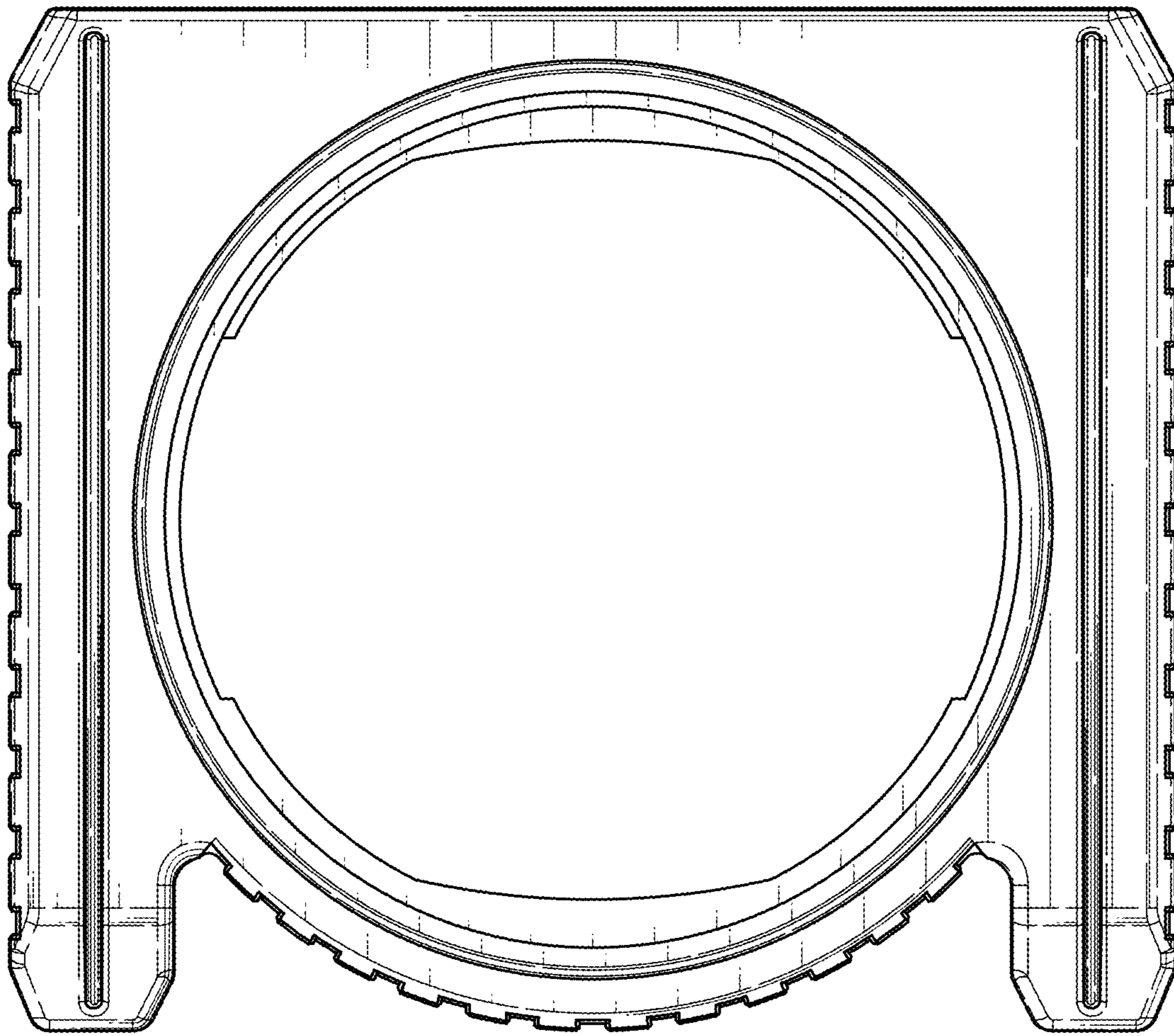


FIG. 3

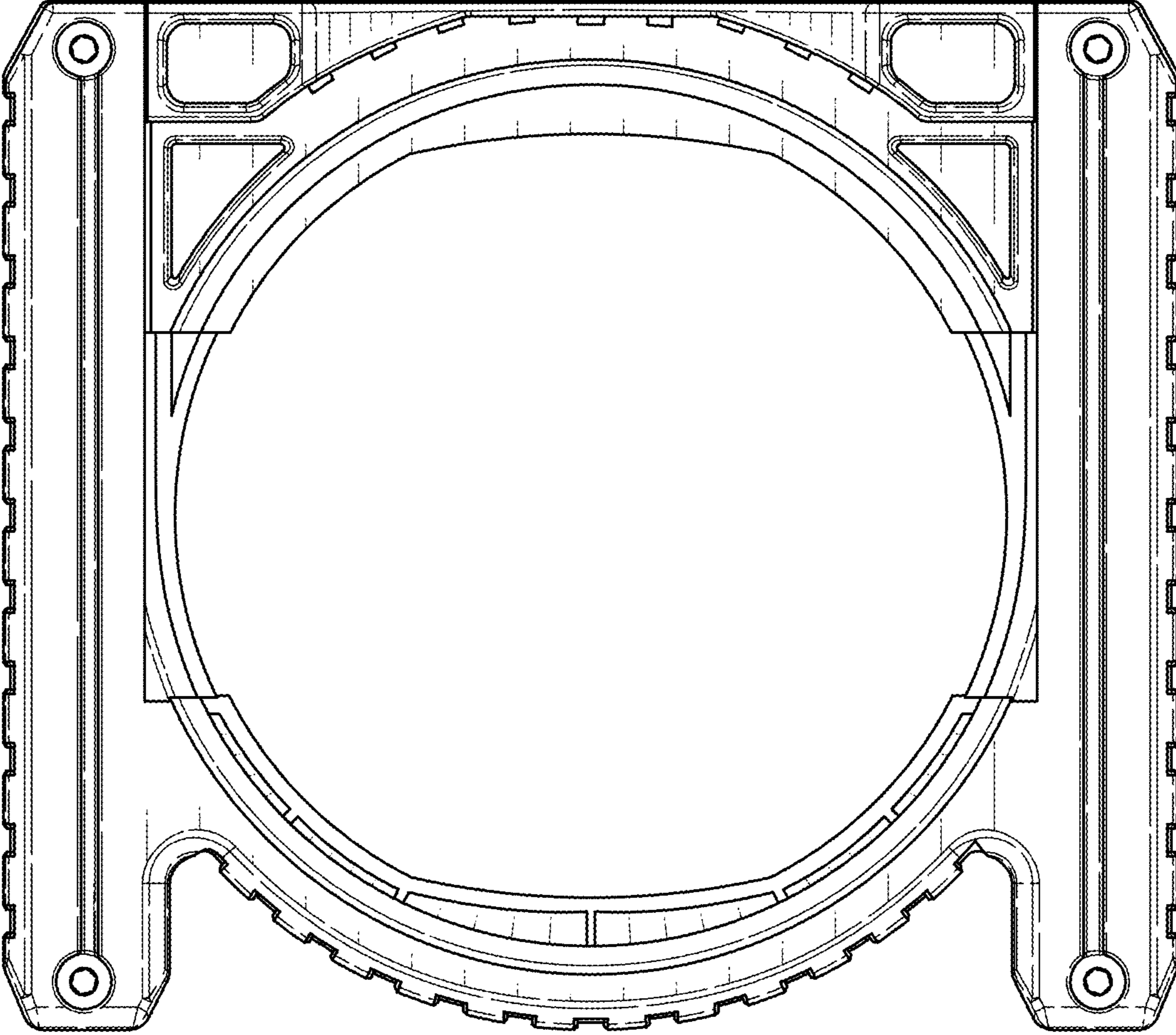


FIG. 4

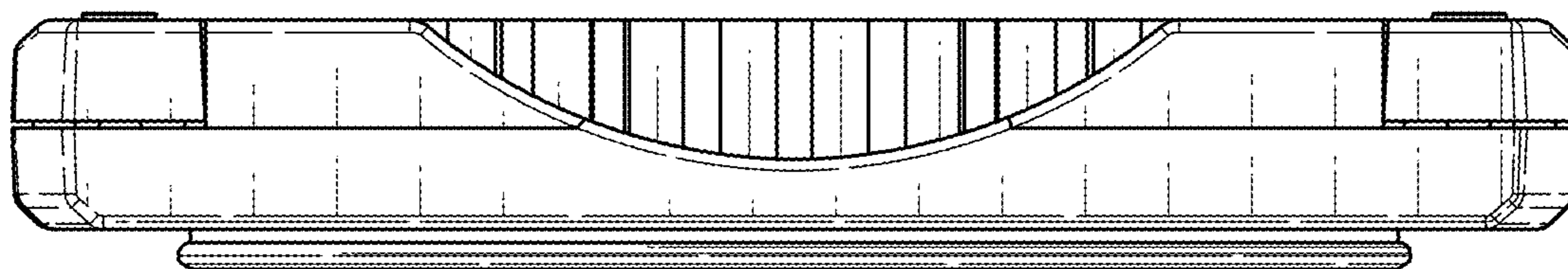


FIG. 5

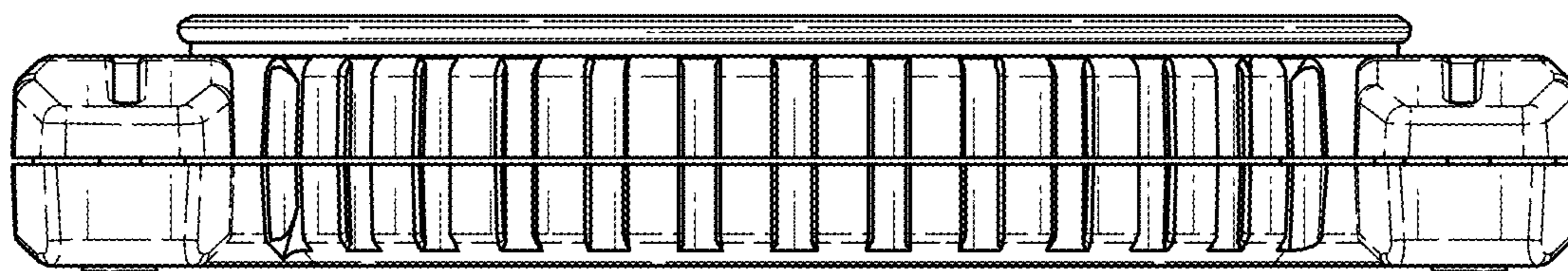


FIG. 6

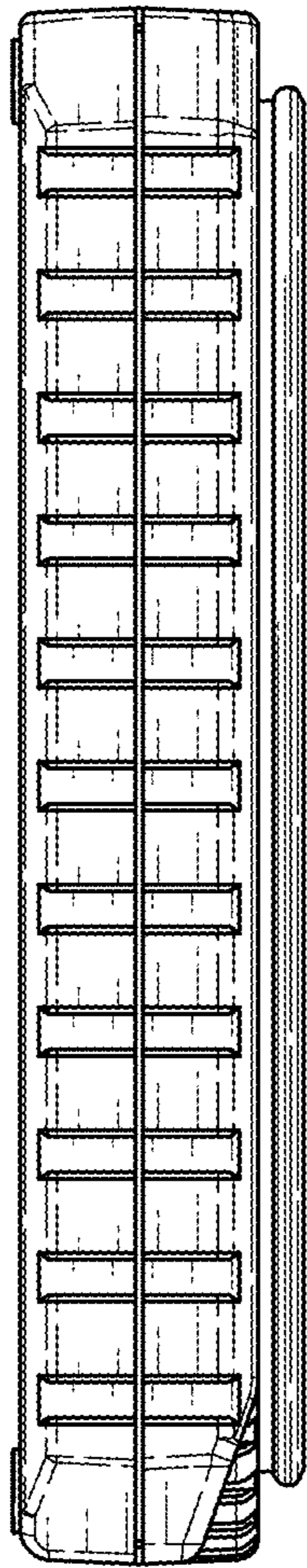


FIG. 7

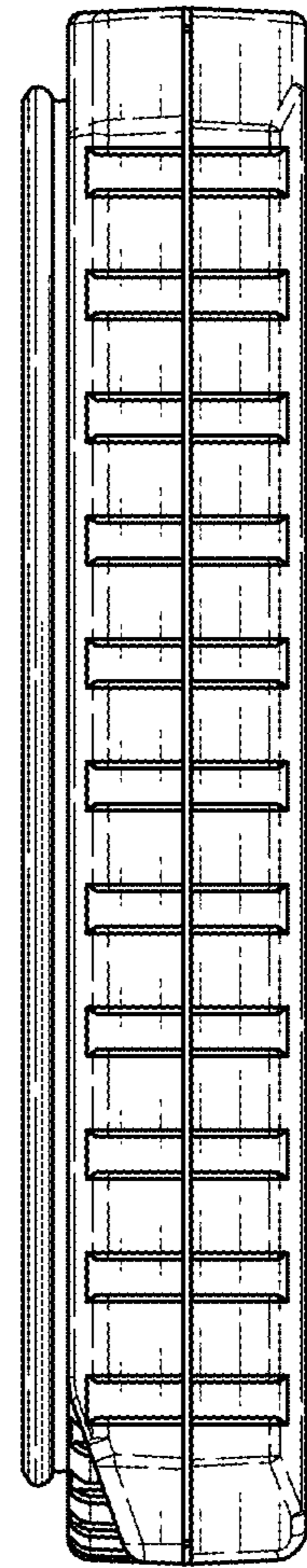


FIG. 8

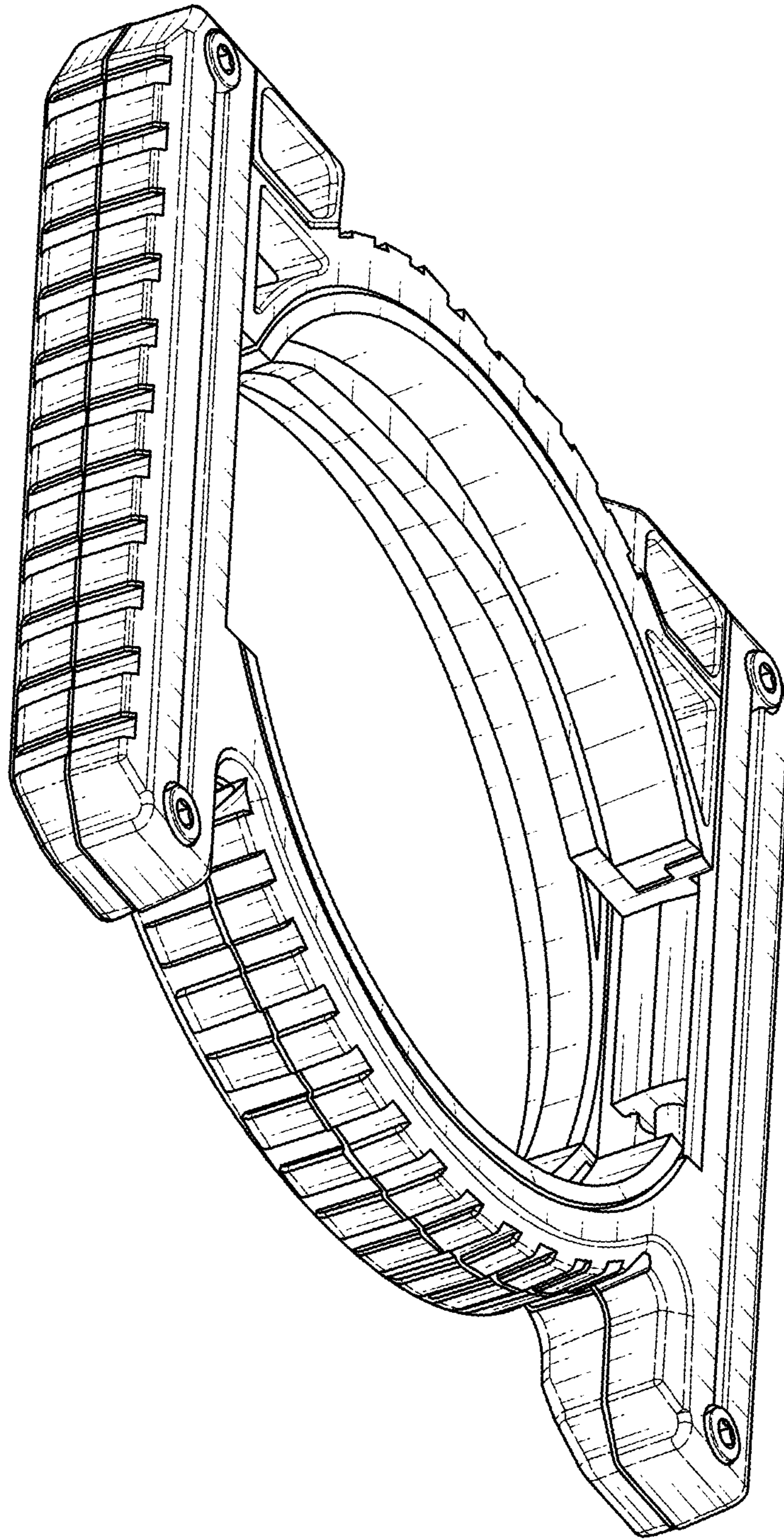


FIG. 9