



US00D905782S

(12) **United States Design Patent** (10) **Patent No.:** **US D905,782 S**
Duffy et al. (45) **Date of Patent:** **** Dec. 22, 2020**

(54) **VIDEO CAMERA**

(56)

References Cited

(71) Applicant: **Google LLC**, Mountain View, CA (US)

U.S. PATENT DOCUMENTS

(72) Inventors: **Gregory R. Duffy**, San Francisco, CA (US); **Melissa D McLean**, Novato, CA (US); **Aamir S. Virani**, San Francisco, CA (US)

2,997,935 A	8/1961	Scheffold
3,782,260 A	1/1974	Ettischer et al.
D349,914 S	8/1994	Usui
D357,267 S	4/1995	Yotsuya
D372,490 S	8/1996	Sheffield et al.
5,604,534 A	2/1997	Hedges
D385,571 S	10/1997	Abrams
5,862,428 A	1/1999	An
5,963,253 A	10/1999	Dwyer
5,978,028 A	11/1999	Yamane
5,995,273 A	11/1999	Chandrasekhar
6,033,592 A	3/2000	Chandrasekhar
D426,249 S	6/2000	Tsujimoto
6,088,470 A	7/2000	Camus
D429,269 S	8/2000	Renkis
D429,743 S	8/2000	Renkis
6,141,052 A	10/2000	Fukumitsu
D433,432 S	11/2000	Prather et al.
6,147,701 A	11/2000	Tamura et al.
D442,202 S	5/2001	Pfeifer
D445,123 S	7/2001	Shen
6,268,882 B1	7/2001	Elberbaum
D446,534 S	8/2001	Zimmer
6,271,752 B1	8/2001	Vaios
D447,758 S	9/2001	Lin et al.
D449,630 S	10/2001	Rak et al.
D452,259 S	12/2001	Choi
6,357,936 B1	3/2002	Elberbaum
D455,164 S	4/2002	Tsang et al.
6,462,781 B1	10/2002	Arnold
D467,952 S	12/2002	Nakamura
D469,775 S	2/2003	Bradley
D470,874 S	2/2003	Chiu
D470,875 S	2/2003	Liao
6,515,275 B1	2/2003	Hunter et al.
6,634,804 B1	10/2003	Toste et al.
6,650,694 B1	11/2003	Brown et al.
6,678,001 B1	1/2004	Elberbaum
6,714,236 B1	3/2004	Wada
6,714,286 B1	3/2004	Wheel
6,727,954 B1	4/2004	Okada et al.
D489,388 S	5/2004	Saito et al.
6,762,790 B1	7/2004	Matko et al.
D511,352 S	11/2005	Oliver et al.
7,034,884 B2	4/2006	Misawa
7,066,664 B1	6/2006	Sitoh et al.
7,076,162 B2	7/2006	Yamashita
D527,755 S	9/2006	Wu
7,151,565 B1	12/2006	Wada

(73) Assignee: **Google LLC**, Mountain View, CA (US)

(**) Term: **15 Years**

(21) Appl. No.: **29/740,737**

(22) Filed: **Jul. 7, 2020**

Related U.S. Application Data

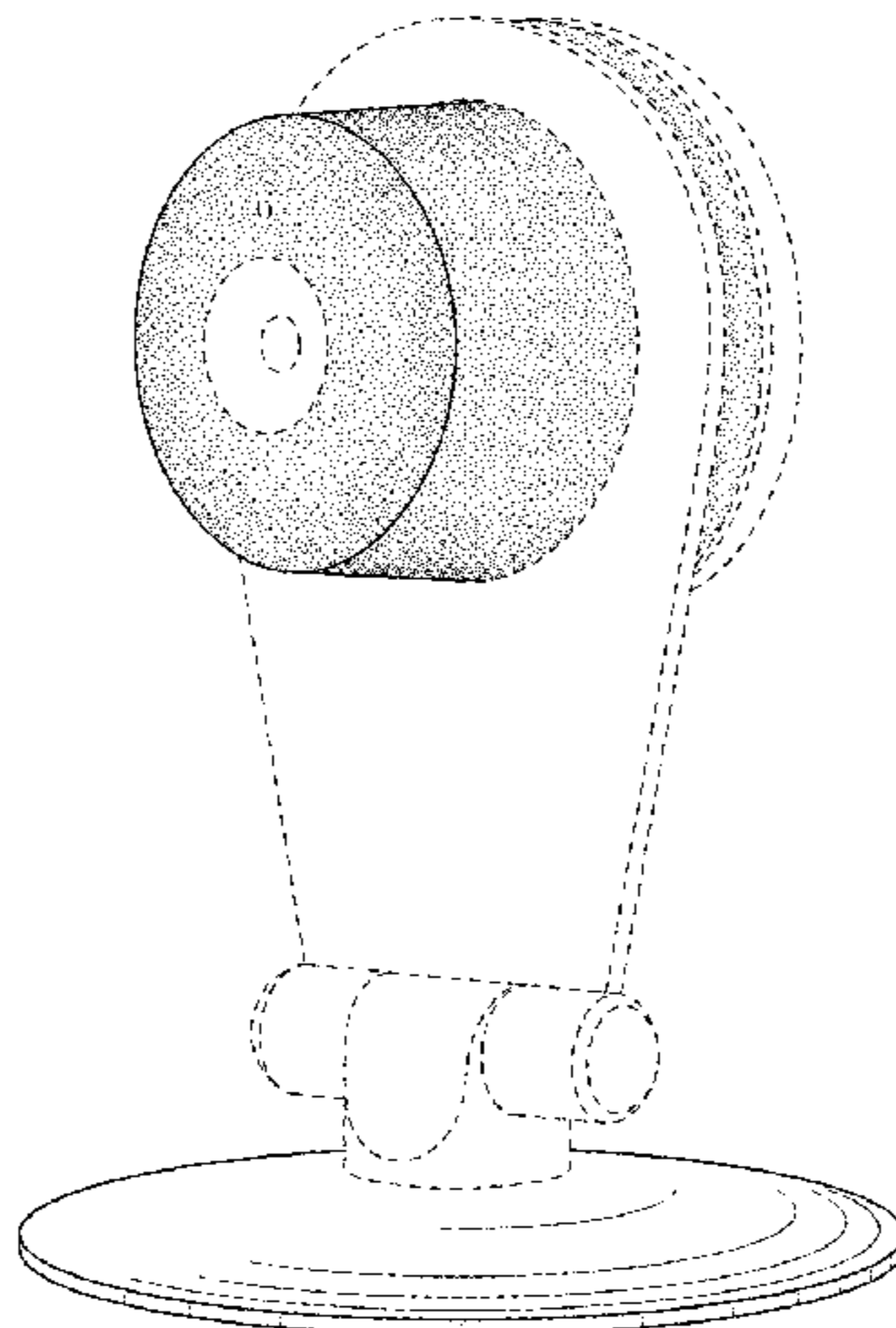
(63) Continuation of application No. 29/721,929, filed on Jan. 24, 2020, now Pat. No. Des. 892,195, which is a continuation of application No. 29/656,141, filed on Jul. 10, 2018, now Pat. No. Des. 876,522, which is a continuation of application No. 29/549,992, filed on Dec. 29, 2015, now Pat. No. Des. 826,306, which is a continuation of application No. 14/701,283, filed on Apr. 30, 2015, now Pat. No. 9,871,953, which is a continuation of application No. 13/604,399, filed on Sep. 5, 2012, now Pat. No. 9,071,740.

(51) **LOC (12) Cl.** **16-05**

(52) **U.S. Cl.**
USPC **D16/219**

(58) **Field of Classification Search**
USPC D16/200, 202–205, 208, 218, 219;
348/14.01–14.6, 143, 148, 151, 373–376;
396/419, 427, 428, 535, 539–541
CPC G03B 17/02; G03B 19/04; G03B 17/56;
G03B 17/04; G03B 15/03; H04N
2101/00; H04N 2007/145; H04N 7/141;
H04N 7/142; H04N 7/147; H04N 7/148;
H04N 7/15; H04N 7/152

See application file for complete search history.



US D905,782 S

D534,938 S	1/2007	Beasley et al.	2002/0186317 A1	12/2002	Kayanuma
D537,097 S	2/2007	Freeman	2002/0191082 A1	12/2002	Fujino et al.
D542,320 S	5/2007	Cheng	2003/0164881 A1	9/2003	Ohe et al.
D552,649 S	10/2007	Logan et al.	2003/0169354 A1	9/2003	Aotsuka
D552,659 S	10/2007	Stephens et al.	2003/0193409 A1	10/2003	Crank
D554,682 S	11/2007	Martinez et al.	2003/0216151 A1	11/2003	Kitano et al.
D555,692 S	11/2007	Liu et al.	2004/0130655 A1	7/2004	Yanakawa et al.
7,290,740 B2	11/2007	Joy et al.	2004/0132489 A1	7/2004	Ryley et al.
D558,250 S	12/2007	Hsia	2004/0211868 A1	10/2004	Holmes et al.
D563,446 S	3/2008	Stephens et al.	2004/0246341 A1	12/2004	Lee et al.
D575,316 S	8/2008	Liu et al.	2004/0247203 A1	12/2004	Dell'Eva
7,443,446 B2	10/2008	Seo	2004/0257431 A1	12/2004	Girish et al.
7,552,340 B2	6/2009	Ooi et al.	2005/0062720 A1	3/2005	Rotzoll et al.
7,586,537 B2	9/2009	Konishi et al.	2005/0068423 A1	3/2005	Bear et al.
D606,105 S	12/2009	Hinkel	2005/0073575 A1	4/2005	Thacher et al.
7,646,425 B2	1/2010	Bohaker et al.	2005/0088537 A1	4/2005	Nakamura et al.
D610,601 S	2/2010	Melder	2005/0128336 A1	6/2005	Toledano et al.
D614,223 S	4/2010	Kim et al.	2005/0146792 A1	7/2005	Schofield et al.
7,705,882 B2	4/2010	Engel et al.	2005/0149213 A1	7/2005	Guzak et al.
7,724,302 B2	5/2010	Yu et al.	2005/0151042 A1	7/2005	Watson
D626,580 S	11/2010	Tzeng	2005/0200751 A1	9/2005	Weaver
D627,815 S	11/2010	Oba	2005/0212958 A1	9/2005	Su et al.
D628,223 S	11/2010	Kao	2005/0227217 A1	10/2005	Wilson
7,930,369 B2	4/2011	Marriott et al.	2005/0230583 A1	10/2005	Wu
D638,461 S	5/2011	Kim et al.	2005/0237425 A1	10/2005	Lee et al.
7,986,369 B1	7/2011	Burns	2005/0243022 A1	11/2005	Negru
D648,766 S	11/2011	Chen	2005/0243199 A1	11/2005	Bohaker et al.
D651,229 S	12/2011	Tan et al.	2005/0247845 A1	11/2005	Li et al.
D651,230 S	12/2011	Tan et al.	2005/0275723 A1	12/2005	Sablak et al.
8,072,536 B1	12/2011	Campbell	2006/0017842 A1	1/2006	Jun
D651,633 S	1/2012	Park et al.	2006/0024046 A1	2/2006	Jones
8,139,122 B2	3/2012	Rolston	2006/0086871 A1	4/2006	Joseph et al.
D657,410 S	4/2012	Helaoui et al.	2006/0109375 A1	5/2006	Ho et al.
8,165,146 B1	4/2012	Melick et al.	2006/0109613 A1	5/2006	Chen
8,174,972 B2	5/2012	Cernius et al.	2006/0123129 A1	6/2006	Toebe et al.
8,359,622 B1	1/2013	Everson	2006/0123166 A1	6/2006	Toebe et al.
D678,929 S	3/2013	Hancock	2006/0150227 A1	7/2006	Julia et al.
8,402,145 B2	3/2013	Holden et al.	2006/0210259 A1	9/2006	Matsumoto
8,432,485 B1	4/2013	Martinez et al.	2006/0238707 A1	10/2006	Elvesjo
D687,085 S	7/2013	Manson	2006/0244583 A1	11/2006	Kawada
8,504,707 B2	8/2013	Toebe et al.	2006/0262194 A1	11/2006	Swain
8,520,069 B2	8/2013	Haler	2006/0282866 A1	12/2006	Kuo
D694,305 S	11/2013	Katori et al.	2007/0001087 A1	1/2007	Shyu et al.
D697,119 S	1/2014	Park et al.	2007/0011375 A1	1/2007	Kumar
8,625,024 B2	1/2014	Hsu	2007/0036539 A1	2/2007	Martinez et al.
D700,232 S	2/2014	Ramsay	2007/0050828 A1	3/2007	Renzi et al.
8,817,107 B2	8/2014	Matsumoto et al.	2007/0083791 A1	4/2007	Panesar et al.
D719,202 S	12/2014	Lee	2007/0222888 A1	9/2007	Xiao et al.
D719,205 S	12/2014	Matsumoto	2008/0001547 A1	1/2008	Negru
D729,296 S	5/2015	Shelton	2008/0005432 A1	1/2008	Kagawa
D730,422 S	5/2015	Kim et al.	2008/0012980 A1	1/2008	Yamane
D731,579 S	6/2015	Bart et al.	2008/0031161 A1	2/2008	Osthus
9,071,740 B1	6/2015	Duffy	2008/0056709 A1	3/2008	Huang et al.
D733,781 S	7/2015	Chen	2008/0074535 A1	3/2008	Ohsuga
D734,801 S	7/2015	Yang	2008/0151052 A1	6/2008	Erel et al.
9,102,055 B1	8/2015	Konolige et al.	2008/0152218 A1	6/2008	Okada et al.
D740,871 S	10/2015	Moon et al.	2008/0186150 A1	8/2008	Kao
D741,931 S	10/2015	Huang et al.	2008/0189352 A1	8/2008	Mitchell et al.
D742,954 S	11/2015	Simonelli et al.	2008/0231699 A1	9/2008	Konishi et al.
D743,465 S	11/2015	Aglassinger et al.	2008/0291260 A1	11/2008	Dignan et al.
D745,916 S	12/2015	Oh	2008/0309765 A1	12/2008	Dayan et al.
D746,350 S	12/2015	Li	2008/0316594 A1	12/2008	Hashiguchi et al.
D748,709 S	2/2016	Jeong	2009/0019187 A1	1/2009	Okuma
D755,880 S	5/2016	Luo et al.	2009/0027570 A1	1/2009	Fujinawa
9,330,307 B2	5/2016	Litvak et al.	2009/0069633 A1	3/2009	Orihara et al.
9,386,230 B1	7/2016	Duran et al.	2009/0102715 A1	4/2009	Lou et al.
9,544,485 B2	1/2017	Conner	2009/0141918 A1	6/2009	Chris et al.
9,838,602 B2	12/2017	Duran et al.	2009/0141939 A1	6/2009	Chambers et al.
9,866,760 B2	1/2018	Dorai et al.	2009/0158373 A1	6/2009	Belz et al.
9,875,718 B1	1/2018	Basehore et al.	2009/0175612 A1	7/2009	Wen
2001/0015760 A1	8/2001	Fellegara	2009/0195655 A1	8/2009	Pandey
2001/0022550 A1	9/2001	Steffel	2009/0245268 A1	10/2009	Pugliese, IV
2002/0003575 A1	1/2002	Marchese	2009/0248918 A1	10/2009	Diab et al.
2002/0056794 A1	5/2002	Ibrahim	2009/0289921 A1	11/2009	Mickelson et al.
2002/0107591 A1	8/2002	Gabai et al.	2009/0296735 A1	12/2009	Cernius et al.
2002/0141418 A1	10/2002	Ben-Dor et al.	2009/0309969 A1	12/2009	Wendler
2002/0159270 A1	10/2002	Lynam et al.	2010/0026811 A1	2/2010	Palmer
2002/0160724 A1	10/2002	Arai et al.	2010/0039253 A1	2/2010	Zang
2002/0171754 A1	11/2002	Lai et al.	2010/0076600 A1	3/2010	Cross et al.

2010/0085749 A1 4/2010 Bezgachev
 2010/0109878 A1 5/2010 Desrosiers
 2010/0180012 A1 7/2010 Heo et al.
 2010/0199157 A1 8/2010 Takaoka et al.
 2010/0271503 A1 10/2010 Safaee-Rad et al.
 2010/0306399 A1 12/2010 Khosravi et al.
 2010/0314508 A1 12/2010 Bevirt et al.
 2010/0328475 A1 12/2010 Thomas et al.
 2010/0330843 A1 12/2010 Gao
 2011/0007159 A1 1/2011 Camp et al.
 2011/0102438 A1 5/2011 Mathe et al.
 2011/0102588 A1 5/2011 Trundle et al.
 2011/0134243 A1 6/2011 Siann et al.
 2011/0134313 A1 6/2011 Kato
 2011/0158637 A1 6/2011 Jung
 2011/0161076 A1 6/2011 Davis et al.
 2011/0193964 A1 8/2011 McLeod
 2011/0193967 A1 8/2011 Matsumoto et al.
 2011/0205965 A1 8/2011 Sprigg et al.
 2011/0231903 A1 9/2011 Springer et al.
 2011/0234803 A1 9/2011 Nakajima et al.
 2011/0255289 A1 10/2011 Krah
 2011/0267492 A1 11/2011 Prentice et al.
 2011/0285813 A1 11/2011 Girdzijauskas et al.
 2011/0293137 A1 12/2011 Gurman et al.
 2011/0299728 A1 12/2011 Markovic et al.
 2012/0004956 A1 1/2012 Huston et al.
 2012/0026325 A1 2/2012 Bunker et al.
 2012/0081009 A1 4/2012 Shteynberg
 2012/0086815 A1 4/2012 Cooper et al.
 2012/0105632 A1 5/2012 Renkis
 2012/0106037 A1 5/2012 Diebel
 2012/0127270 A1 5/2012 Zhang et al.
 2012/0140068 A1 6/2012 Monroe et al.
 2012/0162416 A1 6/2012 Su et al.
 2012/0194650 A1 8/2012 Izadi et al.
 2012/0236373 A1 9/2012 Oyama
 2012/0246359 A1 9/2012 Scragg, Jr. et al.
 2012/0262575 A1 10/2012 Champagne et al.
 2012/0263450 A1 10/2012 Totani
 2012/0311686 A1 12/2012 Medina et al.
 2012/0328259 A1 12/2012 Seibert, Jr. et al.
 2012/0328358 A1 12/2012 Akiyama
 2013/0007099 A1 1/2013 Lee et al.
 2013/0053657 A1 2/2013 Ziarno et al.
 2013/0156260 A1 6/2013 Craig
 2013/0162629 A1 6/2013 Huang et al.
 2013/0314544 A1 11/2013 Ban
 2013/0321564 A1 12/2013 Smith et al.
 2013/0342653 A1 12/2013 McCloskey et al.
 2014/0032796 A1 1/2014 Krause
 2014/0047143 A1 2/2014 Bateman et al.
 2014/0049609 A1 2/2014 Wilson et al.
 2014/0119604 A1 5/2014 Mai et al.
 2014/0168421 A1 6/2014 Xu et al.
 2014/0241387 A1 8/2014 Ortiz
 2014/0267874 A1 9/2014 Ratcliff et al.
 2014/0270387 A1 9/2014 Hoof et al.
 2014/0333726 A1 11/2014 Tokui et al.
 2014/0375635 A1 12/2014 Johnson et al.
 2015/0049324 A1 2/2015 Tan et al.
 2015/0052029 A1 2/2015 Wu et al.
 2015/0120389 A1 4/2015 Zhang et al.
 2015/0154467 A1 6/2015 Feng et al.
 2015/0170371 A1 6/2015 Muninder et al.
 2015/0181198 A1 6/2015 Baele et al.
 2015/0228114 A1 8/2015 Shapira et al.
 2016/0012588 A1 1/2016 Taguchi et al.
 2016/0022181 A1 1/2016 Valsan et al.
 2016/0029102 A1 1/2016 Daily
 2016/0094763 A1 3/2016 Patel
 2016/0094829 A1 3/2016 Georgiev et al.
 2016/0142681 A1 5/2016 Yu
 2016/0205318 A1 7/2016 Wang et al.
 2016/0261829 A1 9/2016 Olsson
 2017/0343801 A1 11/2017 Dabic et al.
 2018/0052376 A1 2/2018 Burrows et al.

FOREIGN PATENT DOCUMENTS

WO 2005034505 A1 4/2005

OTHER PUBLICATIONS

0308 Brand USB 2.0 HD Night Vision Webcam Web Cam Camera Webcam With Microphone Sucker Stand for PC Computer Laptop Notebook, Dec. 18, 2015, 13 pgs.
 720p TF Card IP Wireless Camera Indoor Built-In Microphone Support Two Way Intercom for Smart Home Life and Unique PIR Alarm, Dec. 18, 2015, 3 pgs.
 Adipranata, Fast method for multiple human face segmentation in color image, 2008 Second Int'l Conference on Future Generation Communication and Networking, IEEE, 2008, 4 pgs.
 Buy Svb Ladybird Tripod Webcam 4 Mega Pixel—4 Megapixel Web Cam Online, Best Prices in India: Rediff Shopping, Dec. 16, 2015, 3 pgs.
 Drivers—Video Cam: Download Drivers for (Genius VideoCAM NB) Visual/Video Camera, Computer Question Help, Jul. 3, 2008, 2 pgs.
 Ebay, Belkin F7D7601AU, Net Cam IP WIFI Baby Pet Monitor Camera Security Night Vision, Dec. 15, 2015, 5 pgs.
 Ebay, Lot of 2 USB WebCam Web Cam Camera Logitech Quickcam HP Hewlett Packard, Dec. 16, 2015, 3 pgs.
 Ebay, Motorola, MBP421 Digital Video & Sound Rechargeable Baby Monitor 1.8" LCD Screen, Dec. 15, 2015, 5 pgs.
 Ebay, New Smallest Mini Camera Camcorder Video Recorder DVR Spy Hidden Pinhole Web Cam, Dec. 2, 2015, 4 pgs.
 FabulaTech, What is USB for Remote Desktop, Dec. 12, 2011, 2 pgs, <http://web.archive.org/web/20111212070644/http://www.usb-over-network.com/usb-for-remote-desktop.html>.
 FabulaTech, What is USB over Network, Dec. 17, 2011, 2 pgs, <http://web.archive.org/web/20111217080253/http://www.usb-over-network.com/usb-over-network.html>.
 Goods in Stock PC Camera USB Plug and Play Free Driver Digital Webcam Stand Web Camera, Dec. 18, 2015, 12 pgs.
 Hampapur, Smart surveillance: applications, technologies and implications, Information Communications and Signal Processing 2, 2003, pp. 1133-1138.
 Heo, Fusion of visual and thermal face recognition techniques: A comparative study. Univ. of Tennessee, Knoxville, TN, 2003, 75 pgs.
 Input Devices on Pinterest, Computers, Mice and Apples, Tanna Darty, Dec. 15, 2015, 1 pg.
 Ion Camera, The Home Pro Wi-Fi Wireless Cloud Video Monitoring Security Camera (Black): Camera & Photo, Dec. 15, 2015, 6 pgs.
 Joel Johnson, Glowdoodle Turns Your Crappy Webcam in a Crappier Webcam (in a good way), webcam—Boing Boing, Dec. 16, 2015, 8 pgs.
 John Lewis, Samsung SEB-1019RW Add-On Night Vision Baby Monitor Camera, Dec. 15, 2015, 2 pgs.
 KYO-TUX, IconArchive, Device WebCam Icon, Phuzion Iconset, Jun. 8, 2010, 3 pgs.
 Linksys Wireless-N Internet Home Monitoring Camera: Home Security Systems: Camera & Photo, Amazon.com, Dec. 15, 2015, 7 pgs.
 Logi Circle: Portable Home Surveillance Camera from Logitech (video), AppleApple.Top World News, Feb. 10, 2015, 5 pgs.
 Mini Universal Tripod Stand for Digital Camera and Webcam A33-in Tripods from Consumer Electronics on Aliexpress.com, Alibaba Group, Store: Angel One-Stop Shopping Center, Dec. 16, 2015, 3 pgs.
 Parent, Android USB Port Forwarding, Dec. 26, 2011, 7 pgs, <http://www.codeproject.com/Articles/191930/Android-Usb-Port-Forwarding>.
 Restore.Solutions, Numus Software, USB/VID, Syntek Web Cam Device Drivers, Dec. 12, 2015, 10 pgs.
 Silberman, Indoor Segmentation and Support Inference from RGBD Images, Computer Vision—ECCV 2012, Springer Berlin Heidelberg, Oct. 2012, pp. 746-780.

SIV AI-Ball Very Small Hidden IP Network Camera Battery Powered Wireless IP Camera, Alibaba.com, 1999-2015, 7 pgs.
TechAllianz, How to Pick the Right Webcam, Satyakam, Jan. 22, 2013, 4 pgs.
Trek Ai-Ball Mini WiFi Spy Cam IP Wireless Camera for Iphone / Android /Ipad, Tmart, www.tmart.com, Dec. 18, 2015, 6 pgs.
Tripod Support for a QuickCam (or other webcam), Instructables, 2015, 3 pgs.
USB/IP Project, USB Request Over IP Network, Dec. 27, 2011, 5 pgs, <http://web.archive.org/web/20111227171215/http://usbip.sourceforge.net/>.
Web Camera 6 Stock Photo, Dreamstime, Dec. 16, 2015, 2 pgs.
Google, WO/ PCT/US2016/034462, International Preliminary Report on Patentability, Nov. 28, 2017, 8 pgs.
Google LLC, International Preliminary Report on Patentability/ Written Opinion, PCT/US2016/037069, Dec. 12, 2017, 7 pgs.

Primary Examiner — Ramzi S Almatrahi
(74) *Attorney, Agent, or Firm* — Morgan, Lewis & Bockius LLP

(57)

CLAIM

The ornamental design for a video camera, as shown and described.

DESCRIPTION

FIG. 1 is a front perspective view of a video camera showing our new design;
FIG. 2 is a front elevational view thereof;
FIG. 3 is a rear elevational view thereof;
FIG. 4 is a left-side elevational view thereof;
FIG. 5 is a right-side elevational view thereof;
FIG. 6 is a top plan view thereof; and,
FIG. 7 is a bottom plan view thereof.
The broken lines depict portions of the video camera in which the design is embodied that form no part of the claimed design.

1 Claim, 3 Drawing Sheets

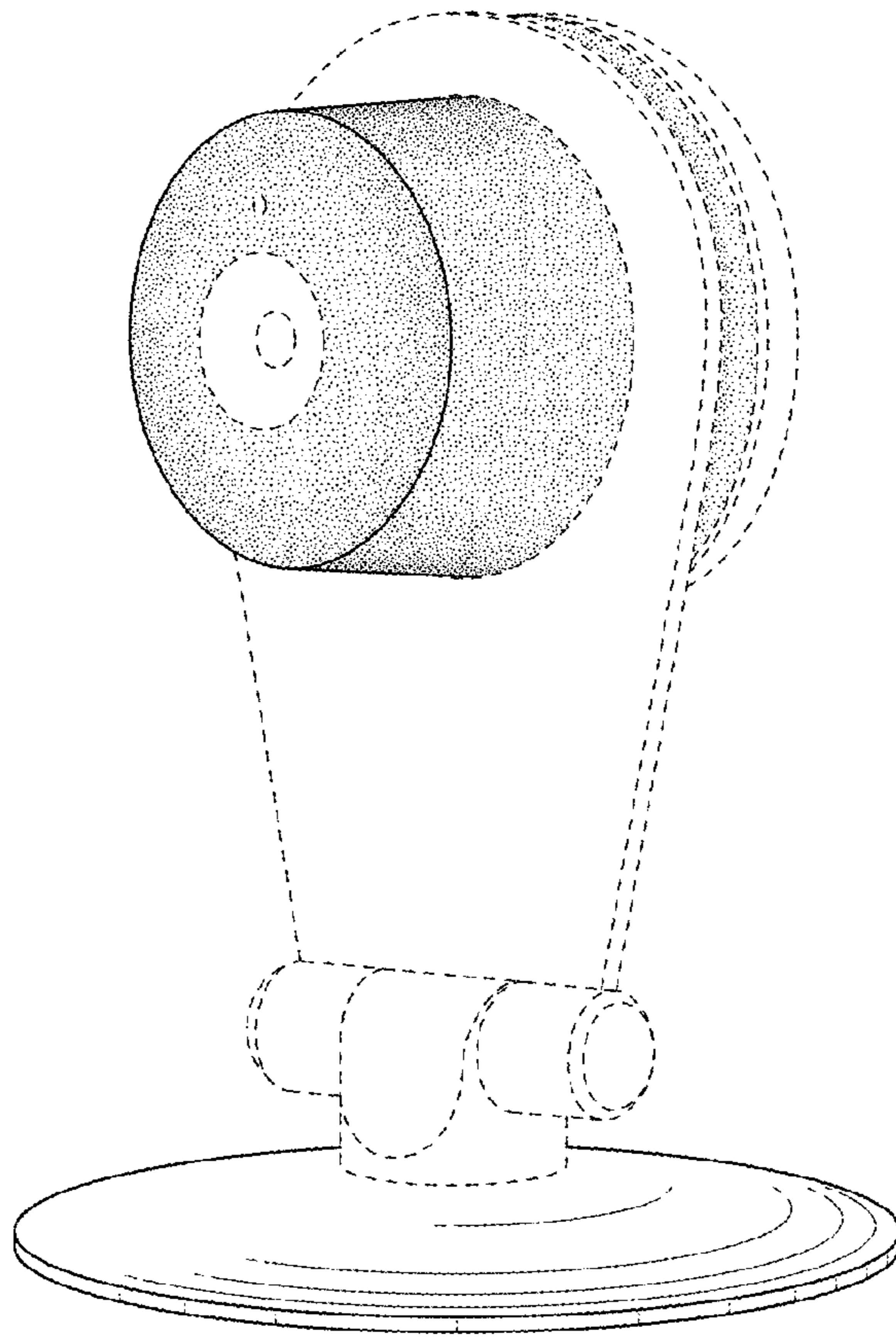


FIG. 1

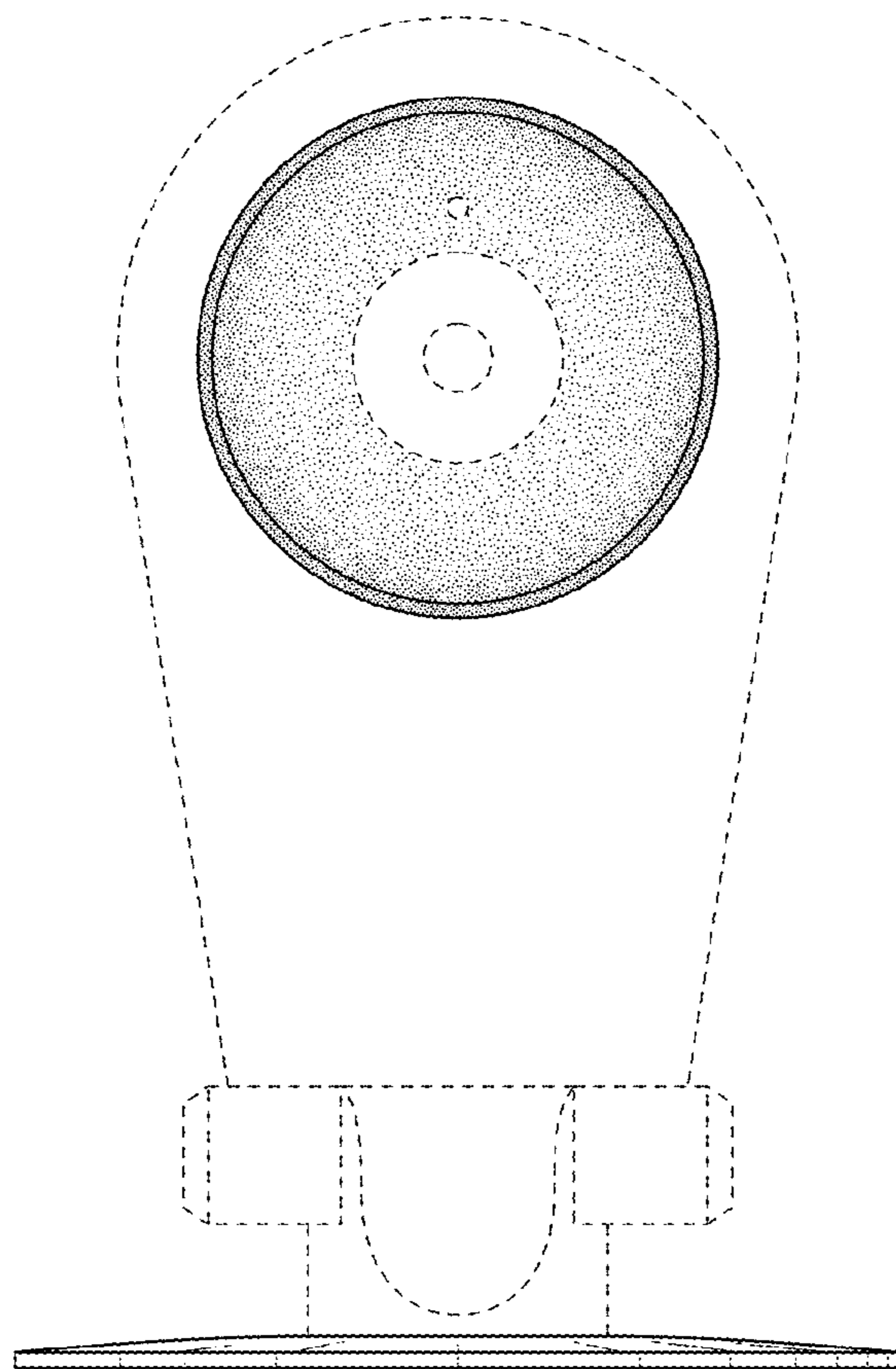


FIG. 2

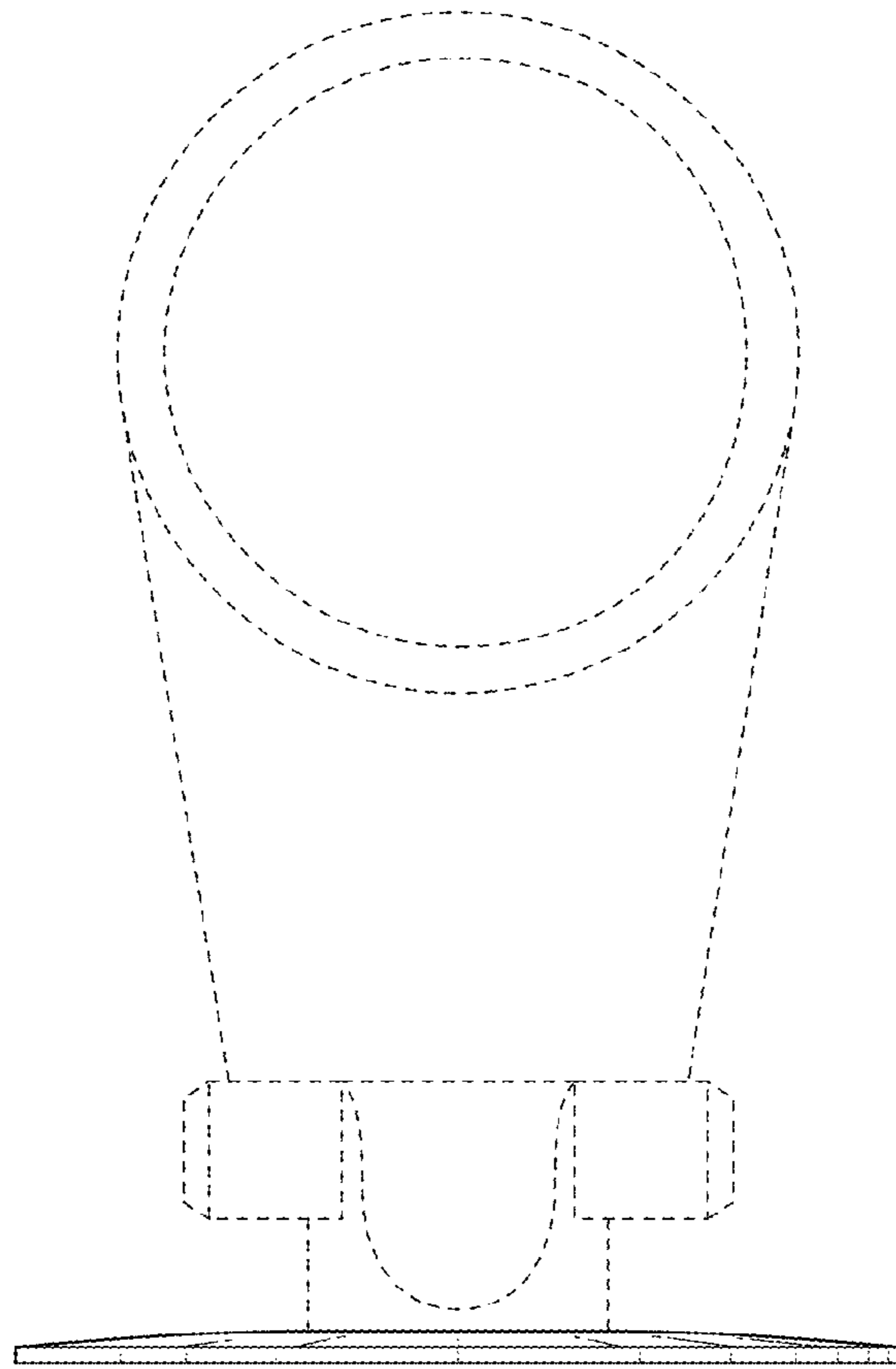


FIG. 3

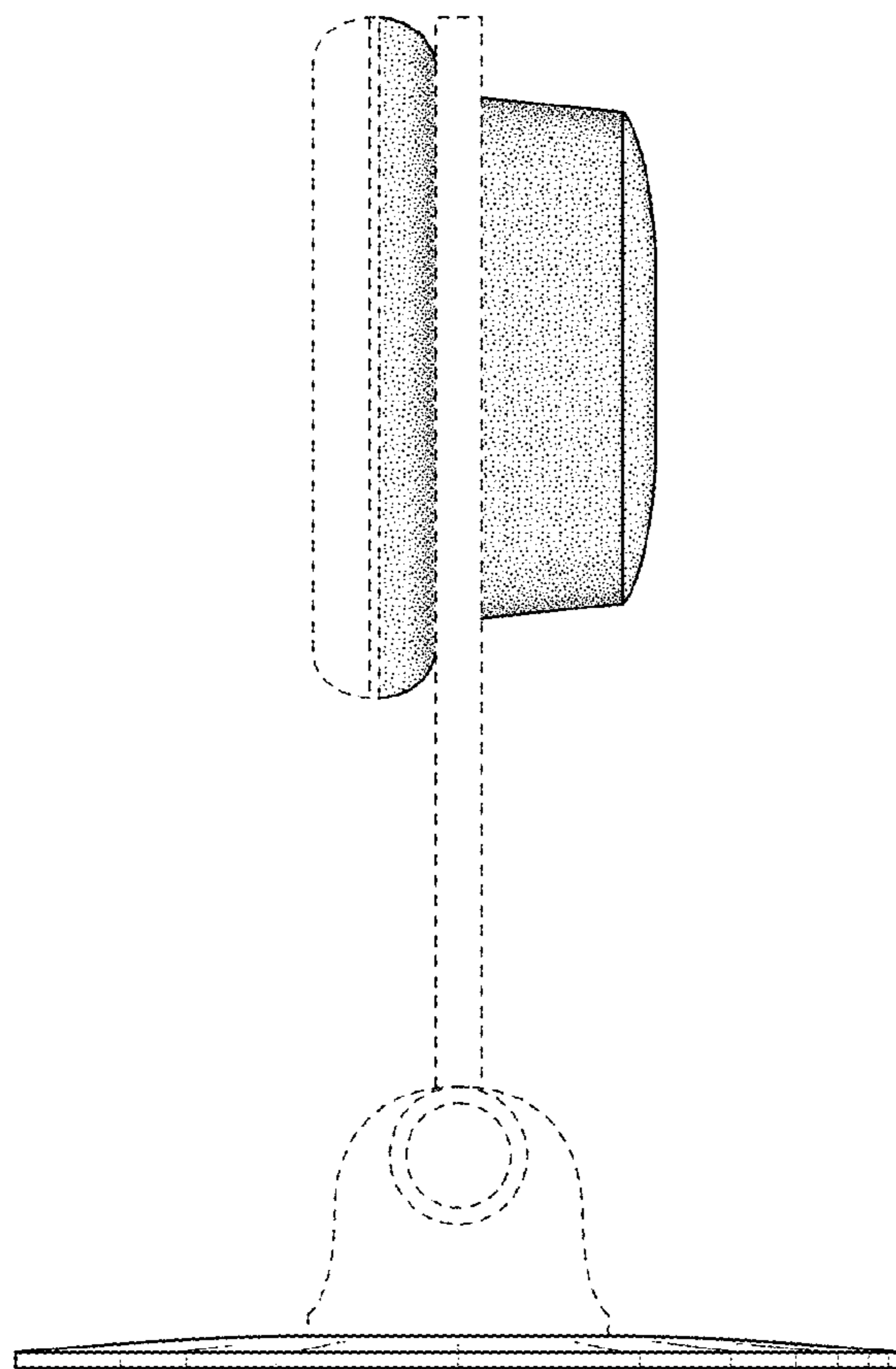


FIG. 4

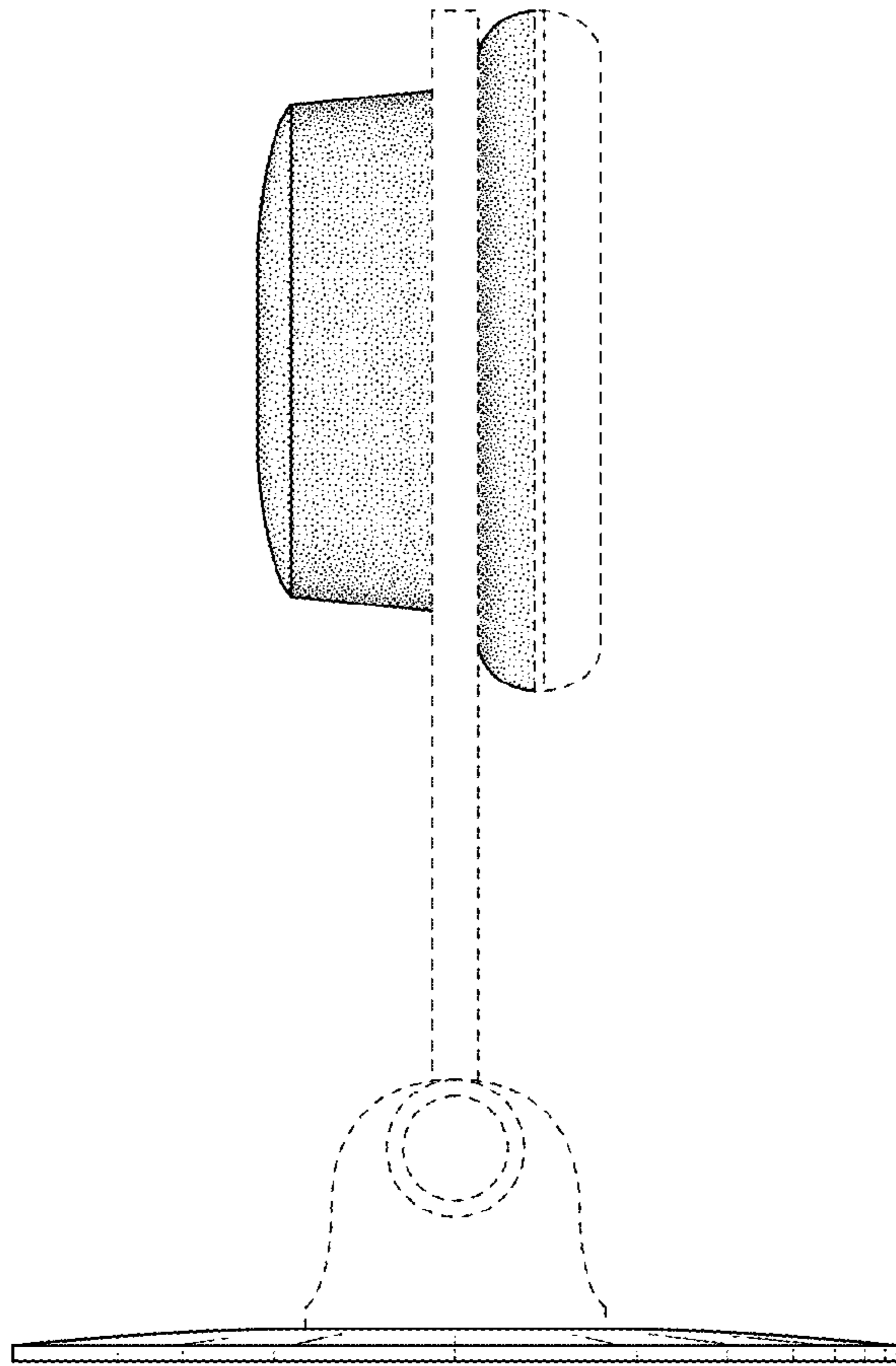


FIG. 5

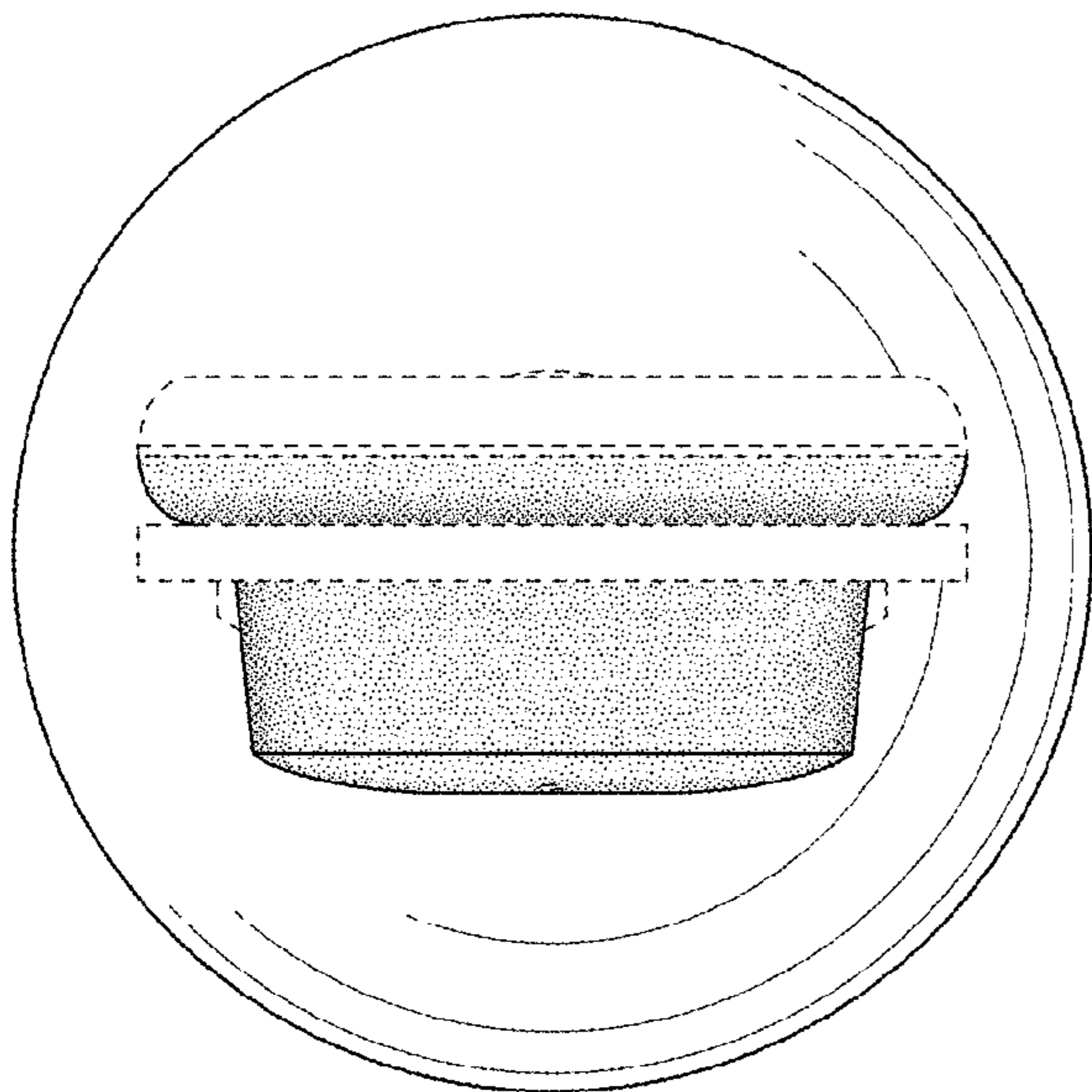


FIG. 6

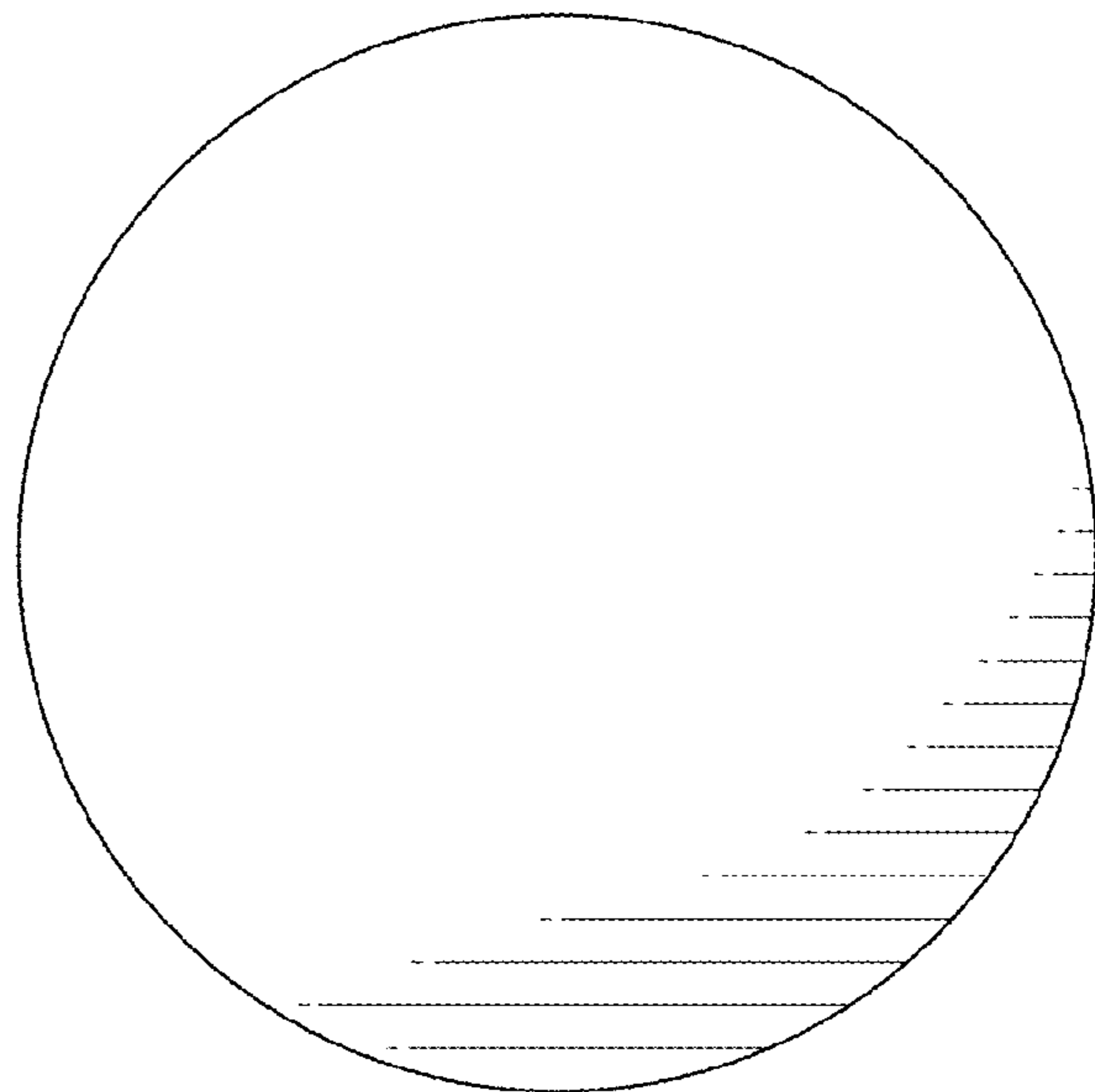


FIG. 7