



US00D905781S

(12) **United States Design Patent**  
**Liu**

(10) **Patent No.:** **US D905,781 S**

(45) **Date of Patent:** **\*\* Dec. 22, 2020**

(54) **CAMERA PROTECTION SHELL**

(71) Applicant: **Huiqing Liu**, Baotou (CN)

(72) Inventor: **Huiqing Liu**, Baotou (CN)

(\*\*) Term: **15 Years**

(21) Appl. No.: **29/739,122**

(22) Filed: **Jun. 23, 2020**

(51) **LOC (12) Cl.** ..... **16-01**

(52) **U.S. Cl.**  
USPC ..... **D16/218**; D16/200

(58) **Field of Classification Search**  
USPC ..... D16/200, 202–206, 208, 218, 219;  
D21/514; 348/373–376; 396/535,  
396/539–541

CPC ..... G03B 15/03; G03B 17/02; G03B 17/04;  
G03B 17/56; G03B 19/04; H04N 5/2251;  
H04N 5/2252; H04N 5/2253; H04N  
5/2254; H04N 2101/00

See application file for complete search history.

(56) **References Cited**

**U.S. PATENT DOCUMENTS**

D373,130 S	*	8/1996	Jin	.....	D16/218
D455,164 S	*	4/2002	Tsang	.....	D16/202
D522,557 S	*	6/2006	Chen	.....	D16/202
D554,168 S	*	10/2007	Shi	.....	D16/202
D633,122 S	*	2/2011	Booker	.....	D16/218

D702,748 S	*	4/2014	Muraki	.....	D16/202
D748,712 S	*	2/2016	Tompkin	.....	D16/218
D750,681 S	*	3/2016	Takami	.....	D16/202
D769,956 S	*	10/2016	Hinkel	.....	D16/203
D783,075 S	*	4/2017	Maxwell	.....	D16/202
D820,894 S	*	6/2018	Tang	.....	D16/202
D828,432 S	*	9/2018	Luo et al.		
D840,851 S	*	2/2019	Ammar	.....	D10/104.1
D865,835 S	*	11/2019	Fidler	.....	D16/202

\* cited by examiner

*Primary Examiner* — Ramzi S Almatrahi

(74) *Attorney, Agent, or Firm* — Justin Lampel

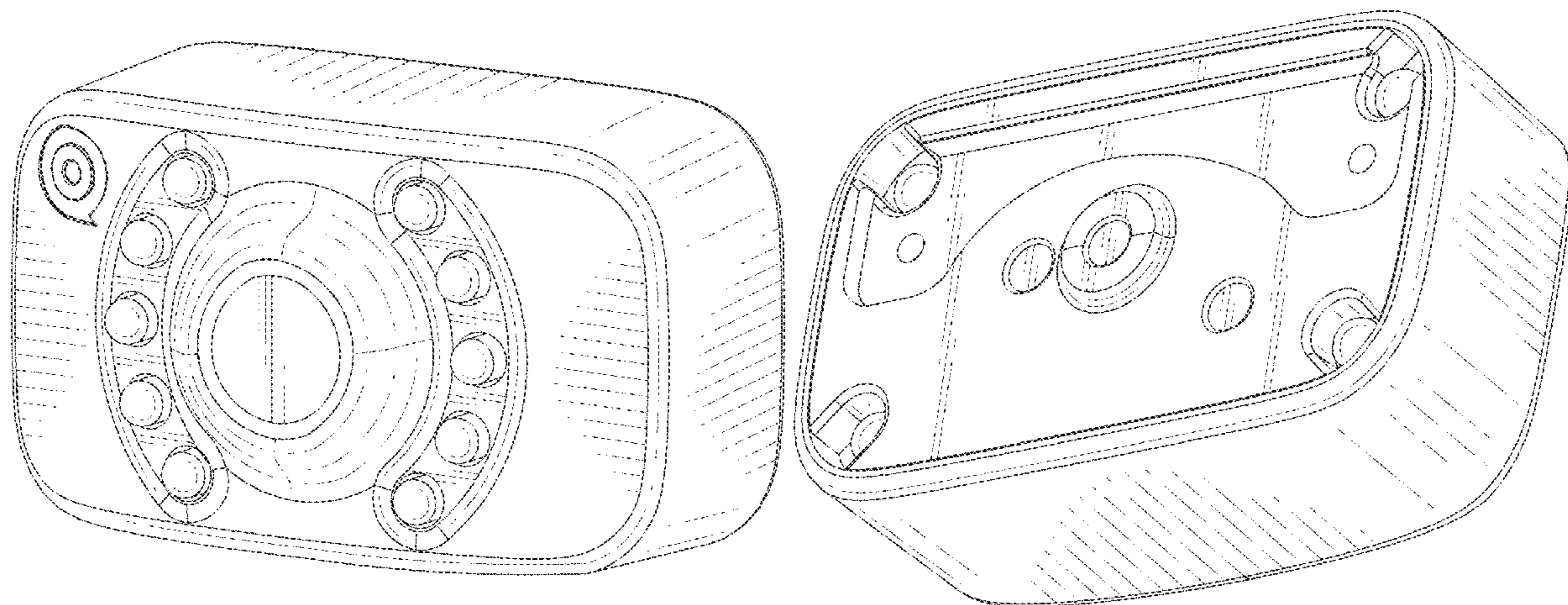
(57) **CLAIM**

The ornamental design for a camera protection shell, as shown and described.

**DESCRIPTION**

FIG. 1 is a front perspective view of a camera protection shell showing my new design;  
FIG. 2 is a top plan view thereof;  
FIG. 3 is a left side view thereof;  
FIG. 4 is a front elevational view thereof;  
FIG. 5 is a right side view thereof;  
FIG. 6 is a rear elevational view thereof;  
FIG. 7 is a bottom plan view thereof; and,  
FIG. 8 is a rear perspective view thereof.

**1 Claim, 8 Drawing Sheets**



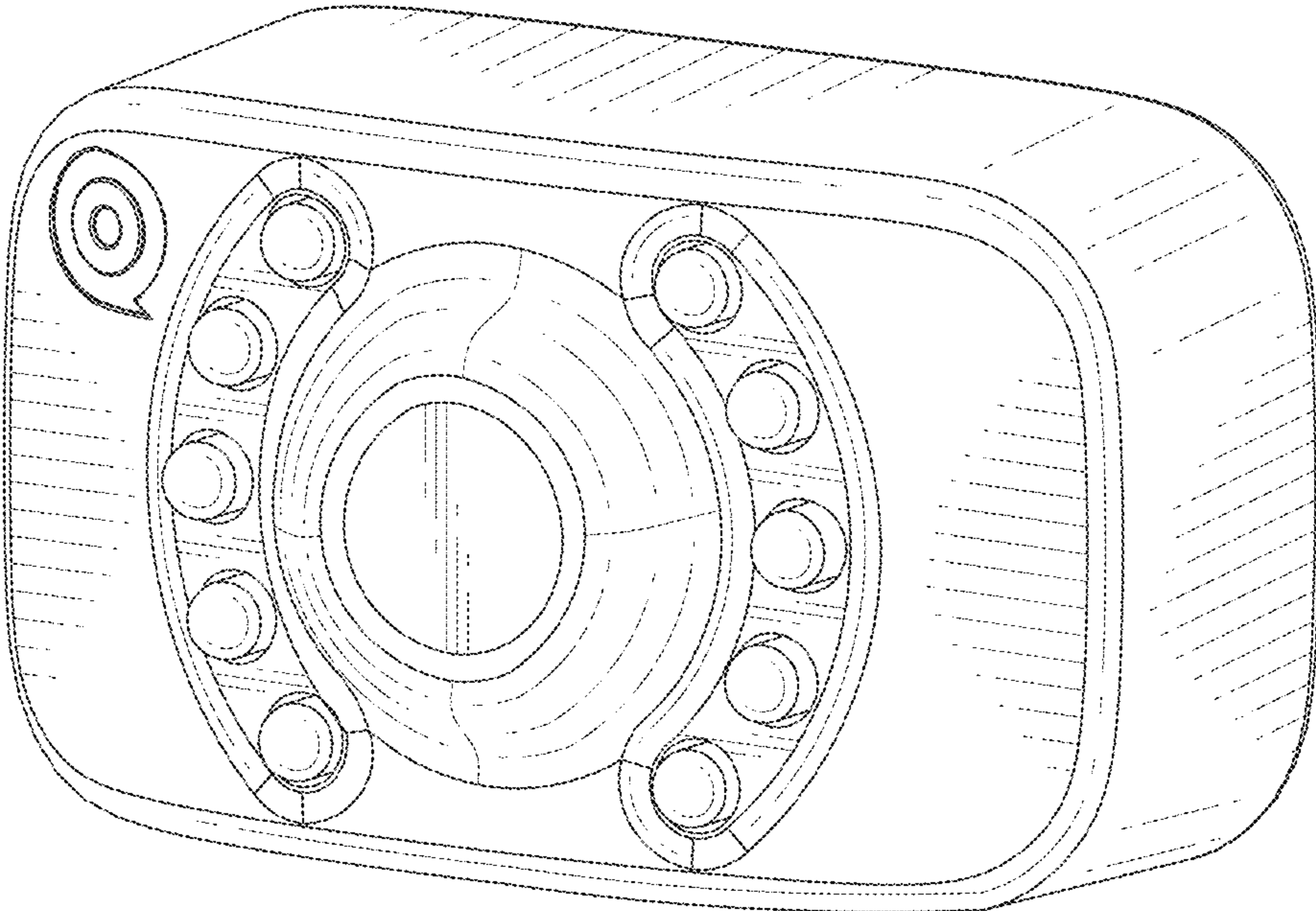


FIG. 1

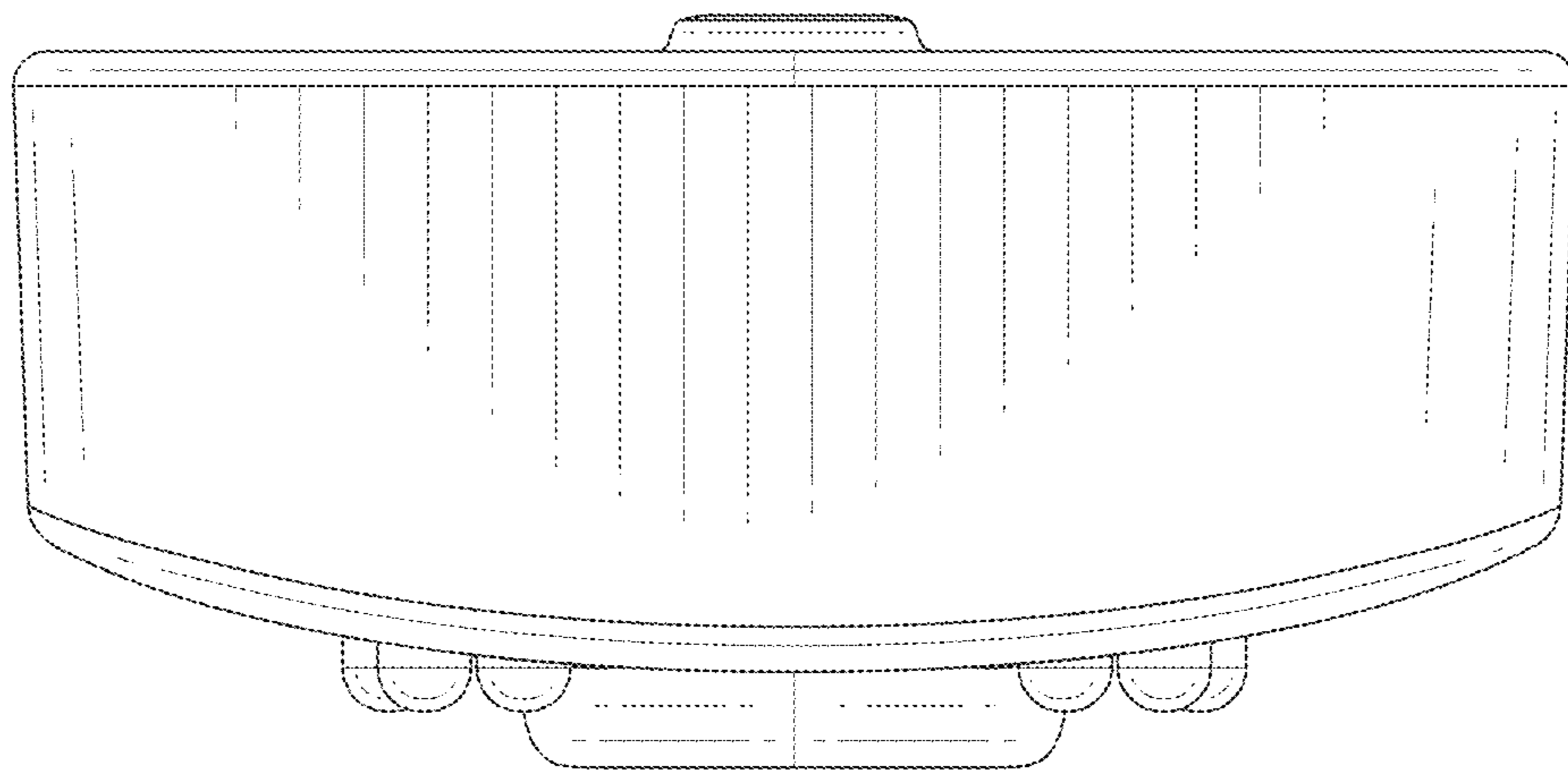


FIG. 2

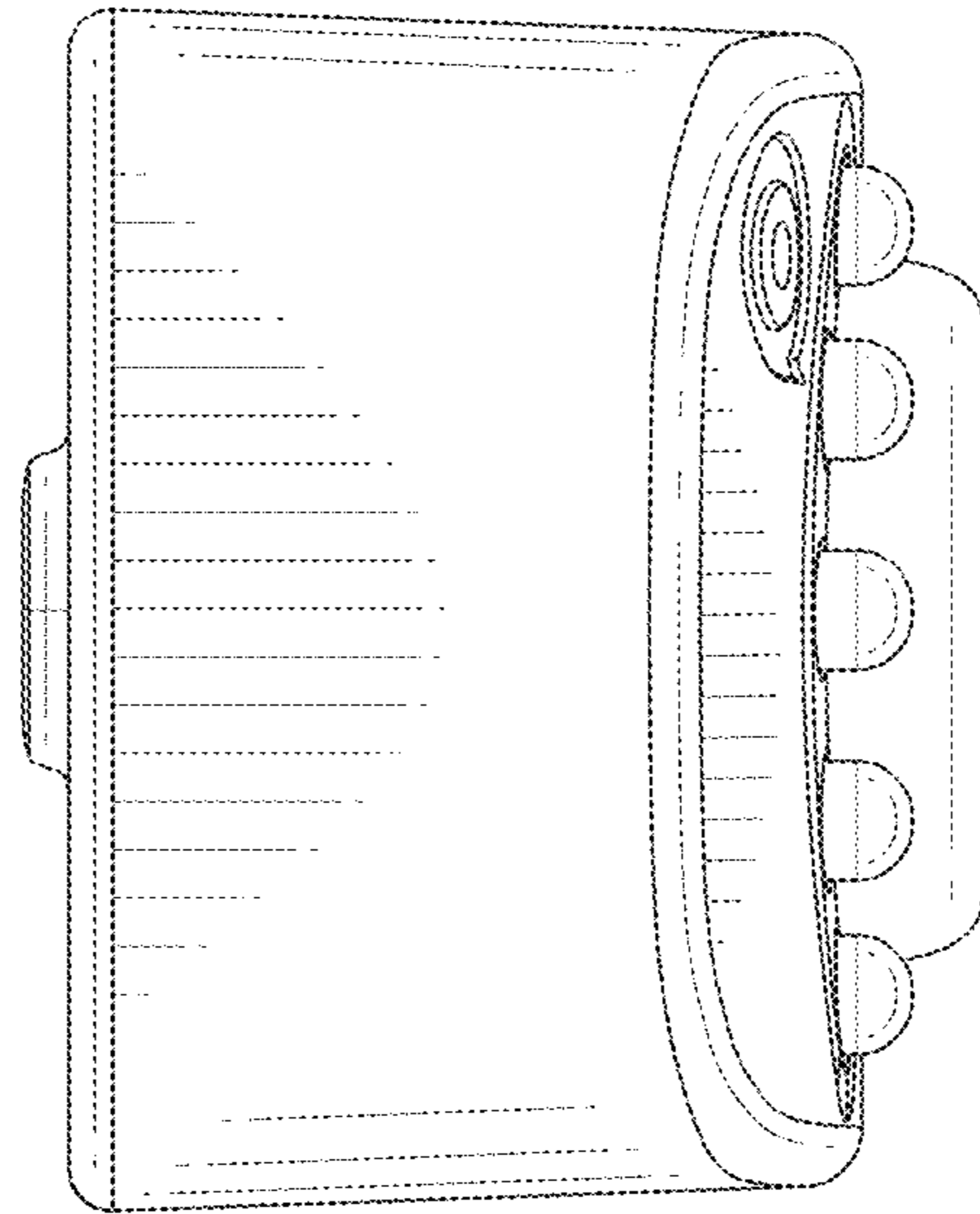


FIG. 3

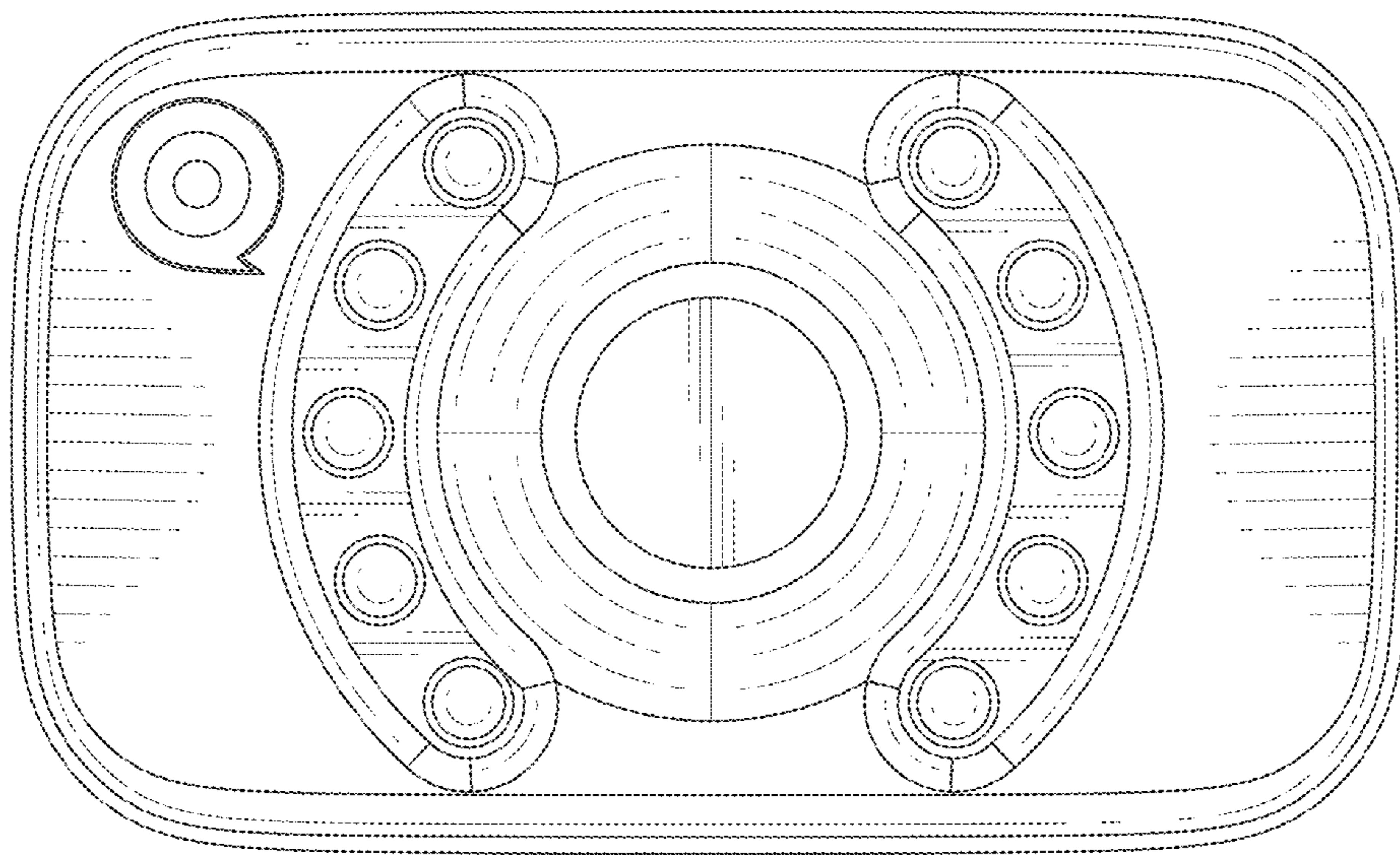


FIG. 4

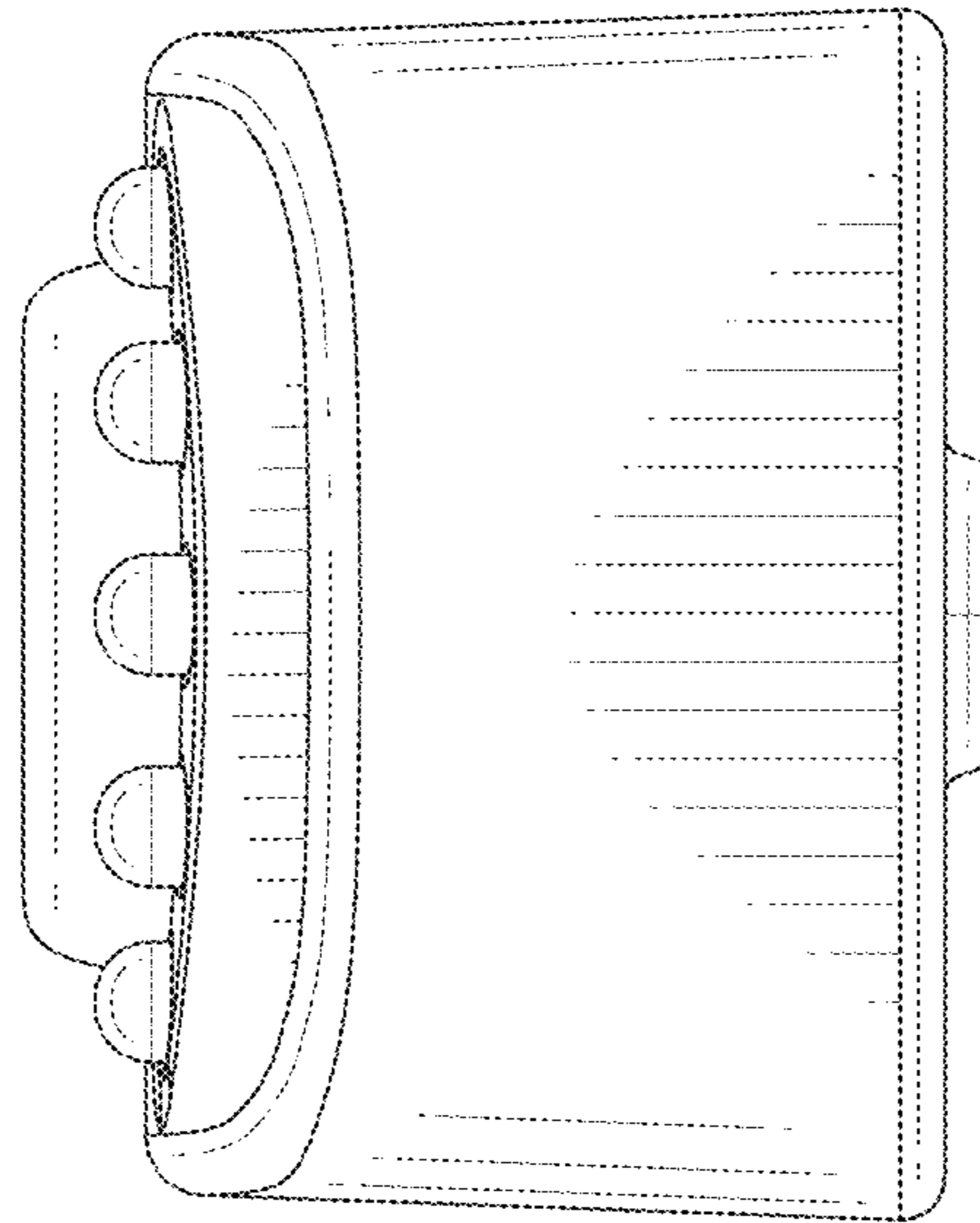


FIG. 5

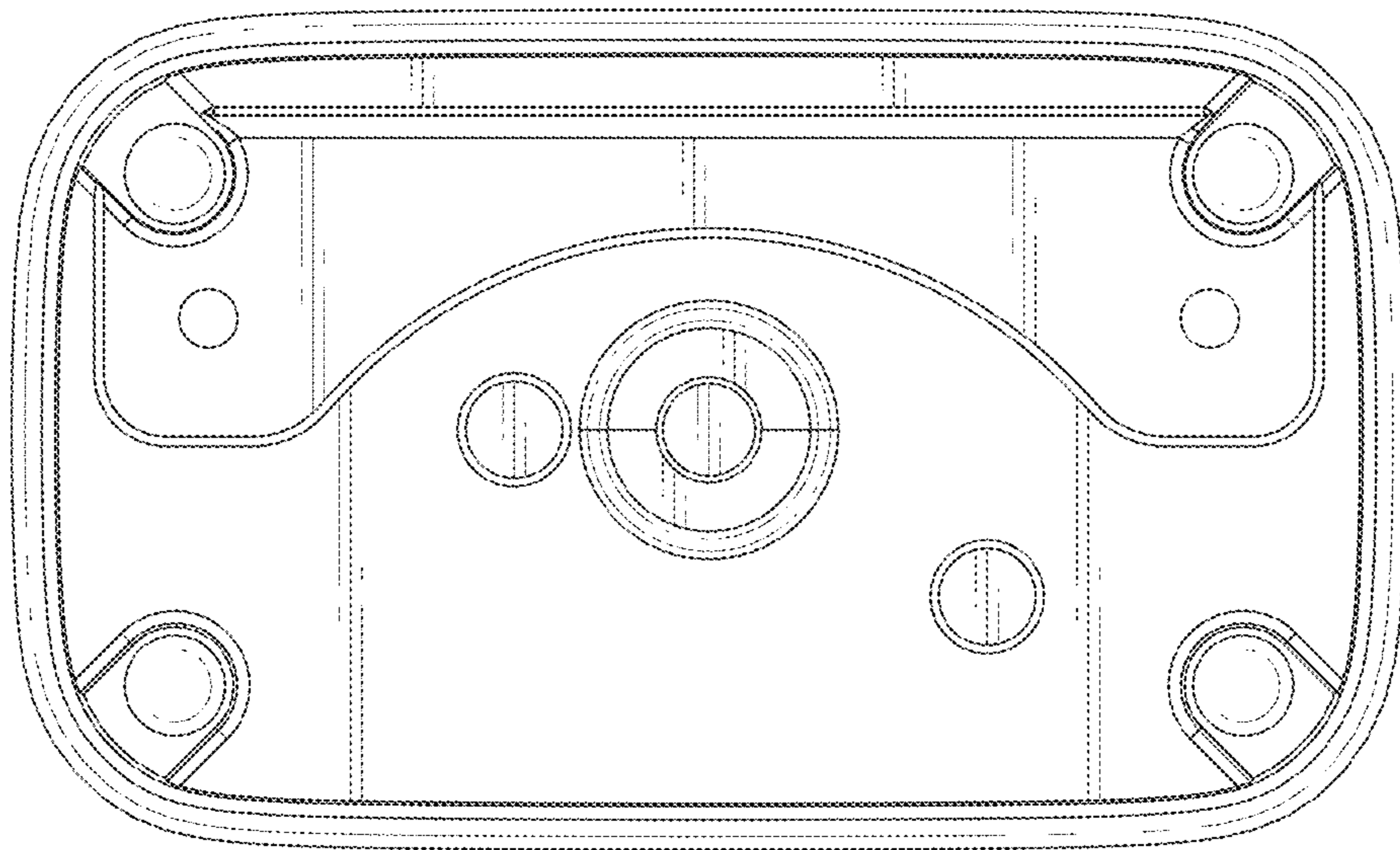


FIG. 6

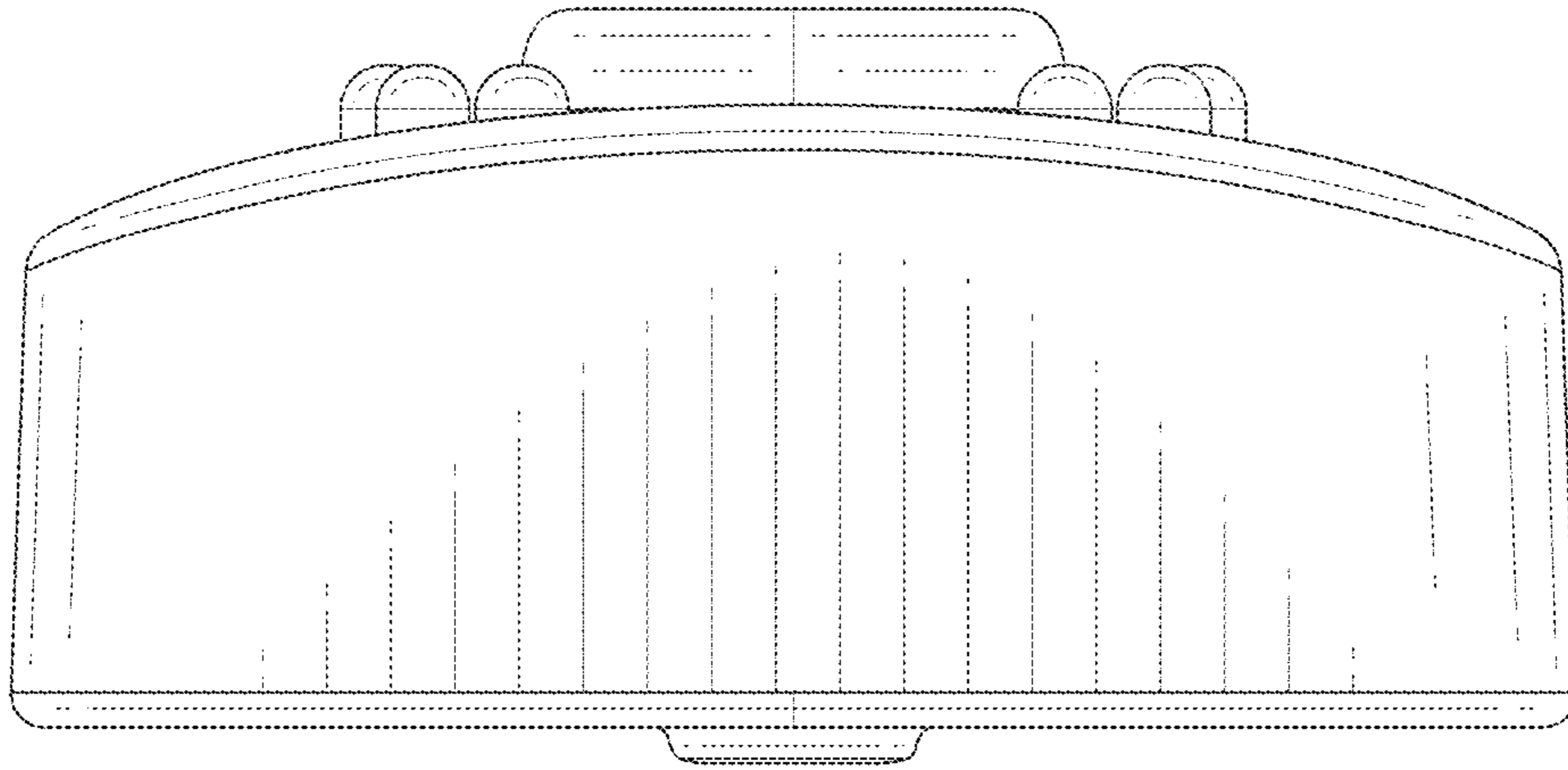


FIG. 7



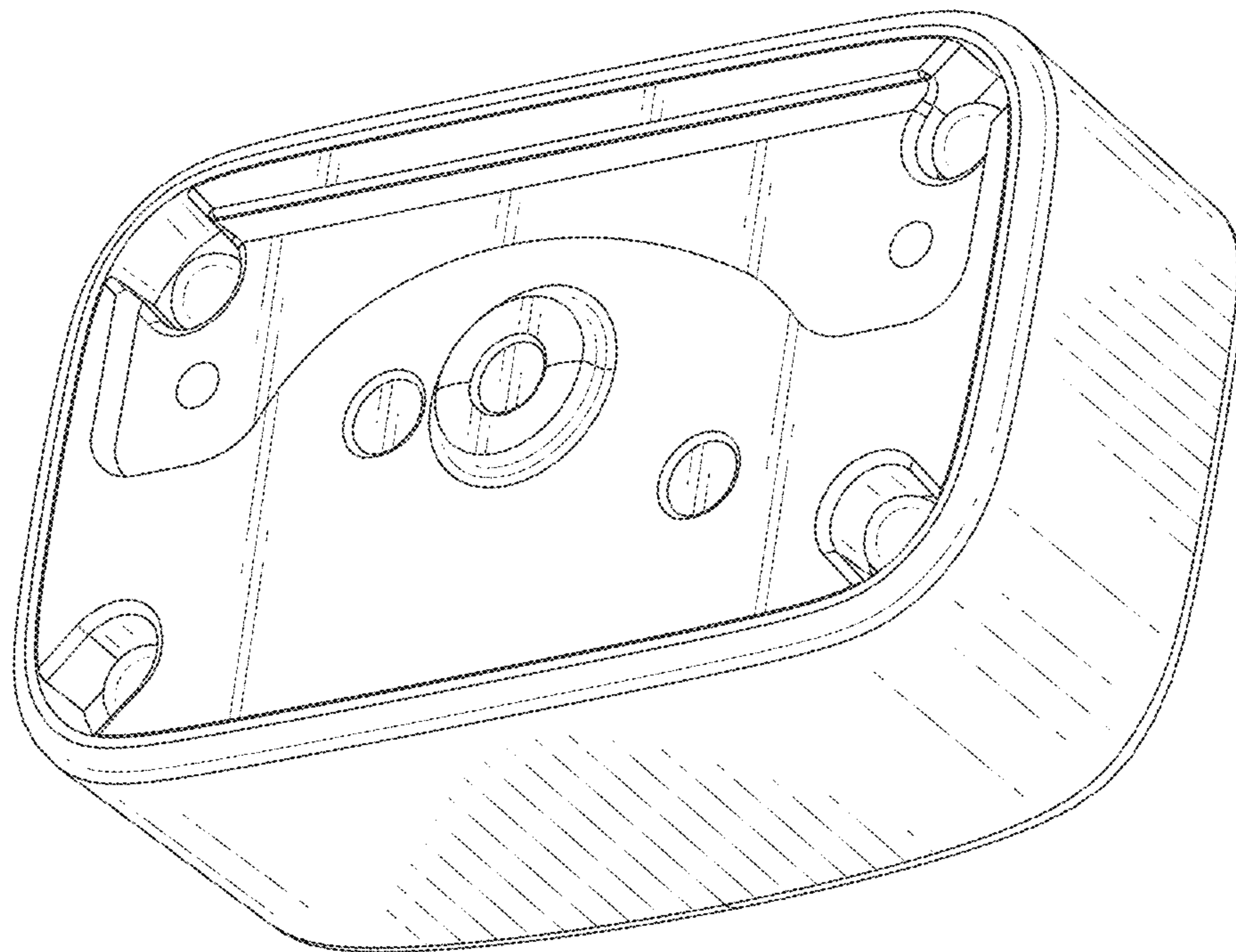


FIG. 8