



US00D905780S

(12) **United States Design Patent** (10) **Patent No.:** **US D905,780 S**
Zhu et al. (45) **Date of Patent:** **** Dec. 22, 2020**

(54) **VIDEOCONFERENCING CAMERA**

(71) Applicant: **Polycom, Inc.**, San Jose, CA (US)

(72) Inventors: **Yanlin Zhu**, Austin, TX (US); **Anthony Martin Duys**, Merrimac, MA (US); **Hector Rodriguez**, Austin, TX (US); **Nathan Yang**, Austin, TX (US)

(73) Assignee: **POLYCOM, INC.**, San Jose, CA (US)

(**) Term: **15 Years**

(21) Appl. No.: **29/677,946**

(22) Filed: **Jan. 24, 2019**

(51) **LOC (12) Cl.** **16-01**

(52) **U.S. Cl.**
USPC **D16/218; D16/202**

(58) **Field of Classification Search**
USPC D14/172, 194, 204, 221; D16/200–205,
D16/208, 217–219; 348/148, 373–376;
396/529, 535–541
CPC G03B 15/03; G03B 17/02; G03B 17/04;
G03B 17/56; G03B 19/04; H04N 5/2251;
H04N 5/2252; H04N 5/2253; H04N
5/2254; H04N 2101/00

See application file for complete search history.

(56) **References Cited**

U.S. PATENT DOCUMENTS

D339,365 S	*	9/1993	Urcuilio	D16/203
D400,549 S		11/1998	Wakefield		
5,900,907 A		5/1999	Malloy et al.		
D441,000 S		4/2001	Vanderwilt et al.		
D441,386 S	*	5/2001	Yamazaki	D16/203
D470,873 S		2/2003	Hovanky et al.		
D471,219 S		3/2003	Hovanky et al.		

(Continued)

Primary Examiner — Ramzi S Almatrahi

(74) *Attorney, Agent, or Firm* — Blank Rome LLP

(57) **CLAIM**

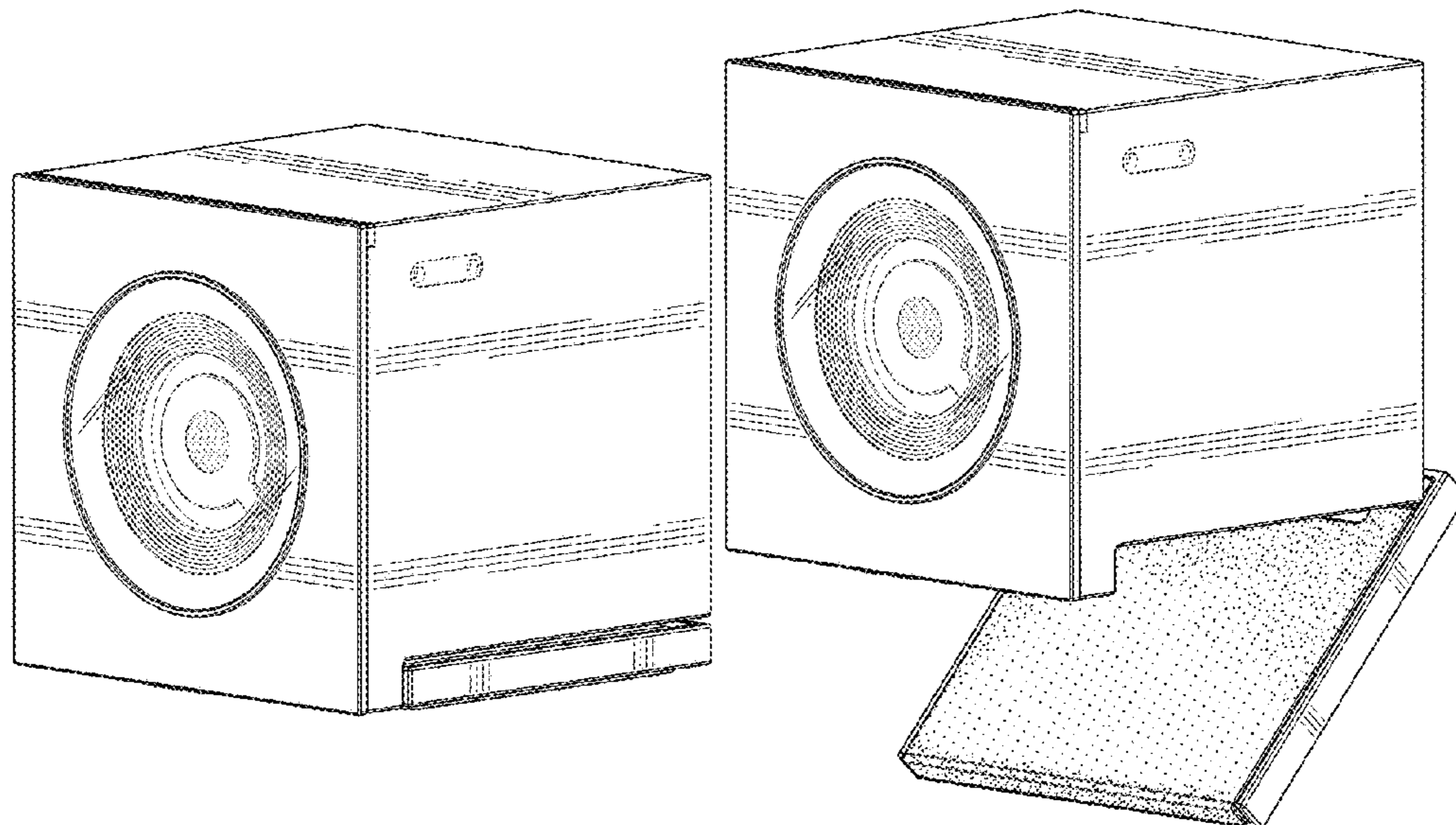
The ornamental design for a videoconferencing camera, as shown and described.

DESCRIPTION

FIG. 1 is a front perspective view of a videoconferencing camera, showing our new design in a first configuration; FIG. 2 is a front elevational view thereof; FIG. 3 is a rear elevational view thereof; FIG. 4 is a top plan view thereof; FIG. 5 is a bottom plan view thereof; FIG. 6 is a right side elevational view thereof; FIG. 7 is a left side elevational view thereof; FIG. 8 is a front perspective view thereof, shown in condition of use and mounted on a bracket disclosed in broken lines to illustrate an environment; FIG. 9 is a left side elevational view thereof, shown in condition of use with a bracket and a cable disclosed in broken lines to illustrate an environment; FIG. 10 is a front perspective view thereof, shown with the base pivoted in a second configuration; FIG. 11 is a front elevational view thereof; FIG. 12 is a rear elevational view thereof; FIG. 13 is a top plan view thereof; FIG. 14 is a bottom plan view thereof; FIG. 15 is a right side elevational view thereof; FIG. 16 is a left side elevational view thereof; FIG. 17 is a front perspective view thereof, shown in condition of use and mounted with a bracket disclosed in broken lines to illustrate an environment; and, FIG. 18 is a left side elevational view thereof, shown in condition of use with a bracket and a cable disclosed in broken lines to illustrate an environment.

The broken lines depict portions of the videoconferencing camera in which the design is embodied that form no part of the claimed design. Additionally, the broken lines showing a bracket and cable in FIGS. 8-9 and 17-18 represent environmental structure and form no part of the claimed design.

1 Claim, 15 Drawing Sheets



(56)

References Cited

U.S. PATENT DOCUMENTS

D471,573	S	3/2003	Hovanky et al.	
D476,345	S	6/2003	Phelps et al.	
D477,622	S	7/2003	Phelps et al.	
7,593,031	B2	9/2009	Root et al.	
D616,480	S *	5/2010	Ookawa	D16/218
8,467,675	B2 *	6/2013	Chen	H01L 31/02327 396/535
D727,387	S *	4/2015	Hasegawa	D16/203
D727,991	S *	4/2015	Hasegawa	D16/203
D729,761	S *	5/2015	Hu	D14/194
D730,423	S *	5/2015	Vandenbussche	D16/218
9,282,226	B2 *	3/2016	Samuels	G03B 17/02
9,405,173	B1	8/2016	Okunami	
D785,068	S *	4/2017	Patsis	D16/200
D788,725	S	6/2017	Tompkin et al.	
D858,603	S *	9/2019	Ye	D16/203
2011/0317065	A1 *	12/2011	Lin	G03B 17/02 348/373
2013/0321696	A1 *	12/2013	Bae	H04N 5/2252 348/372

* cited by examiner

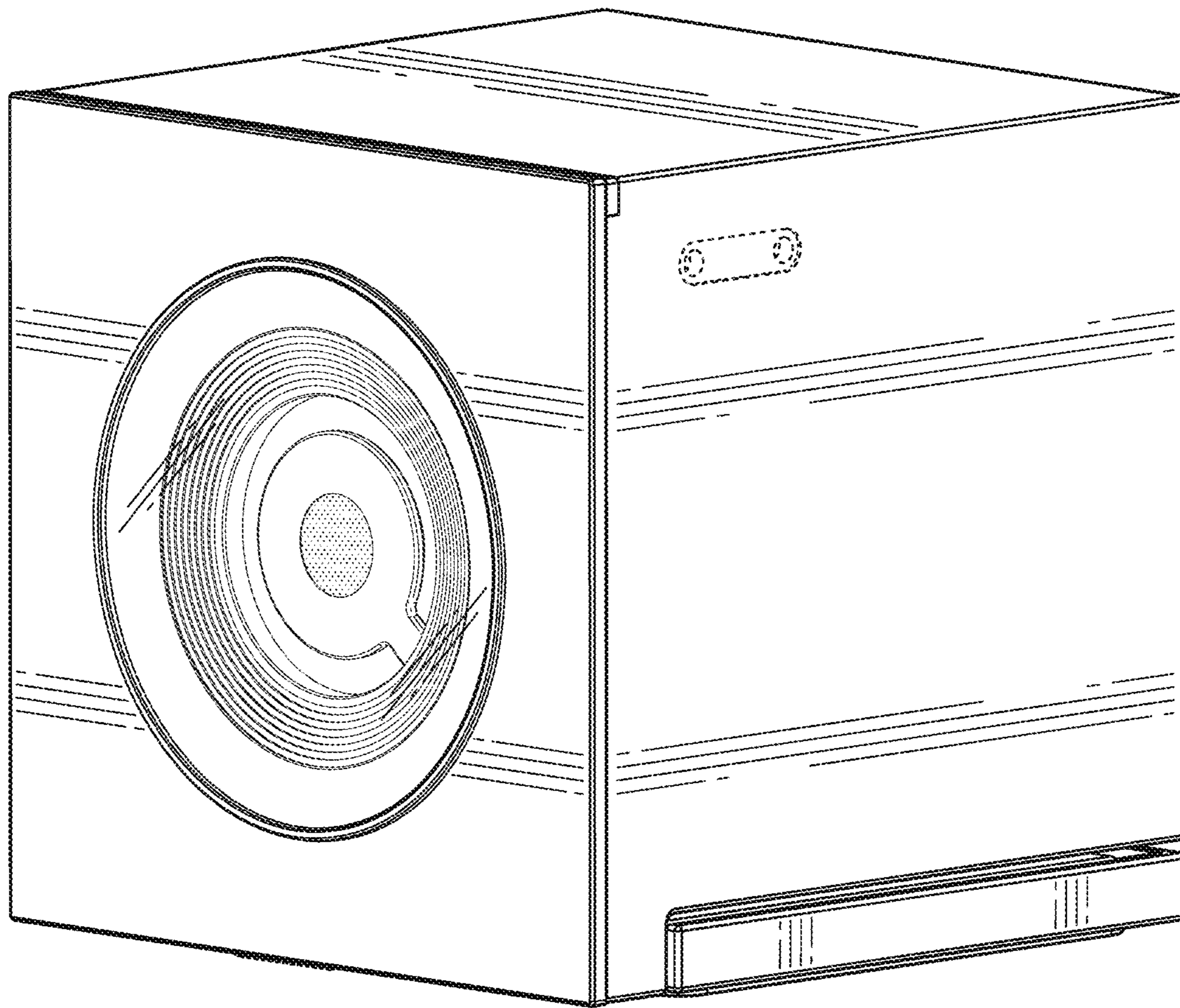


FIG. 1

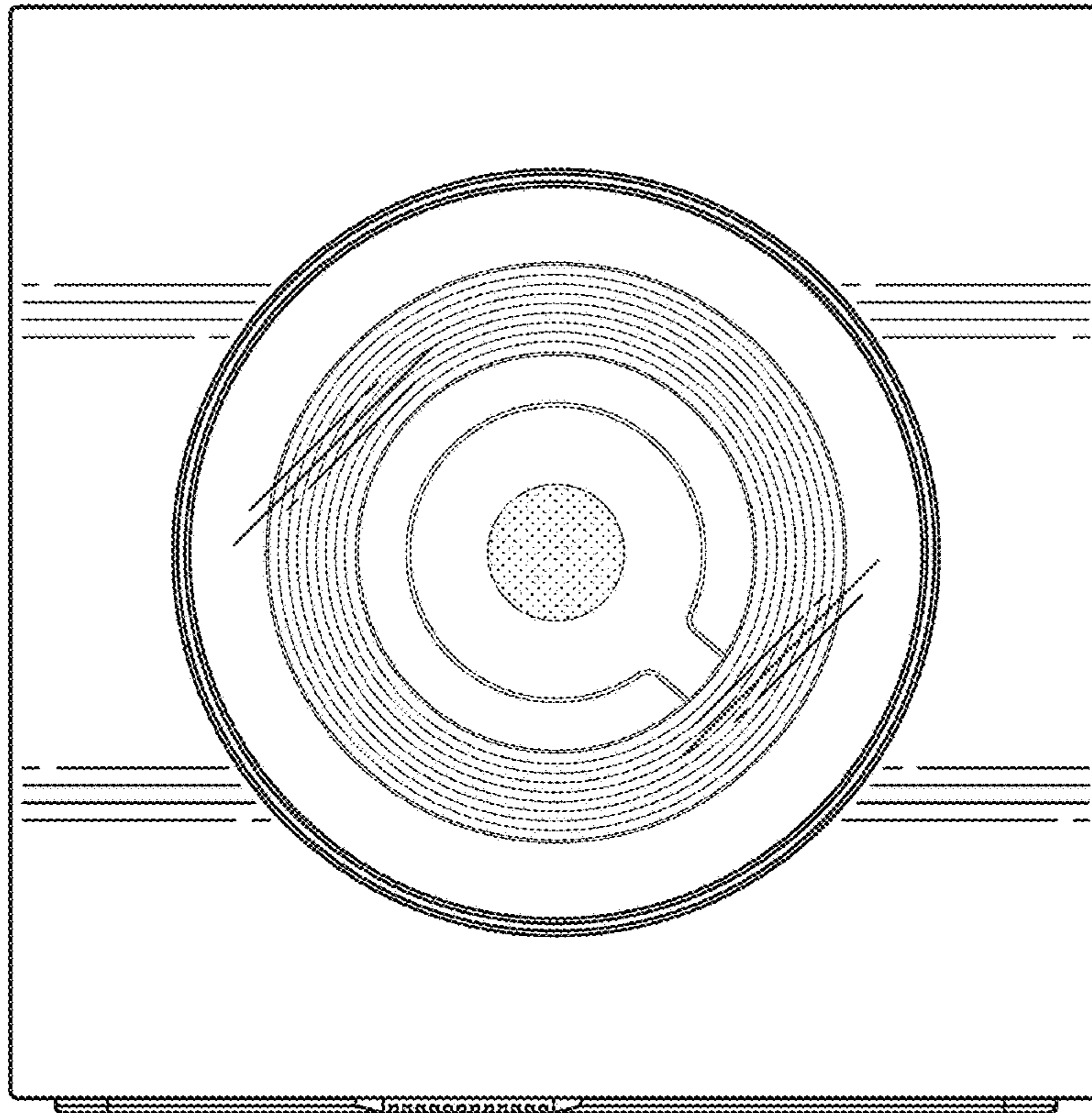


FIG. 2

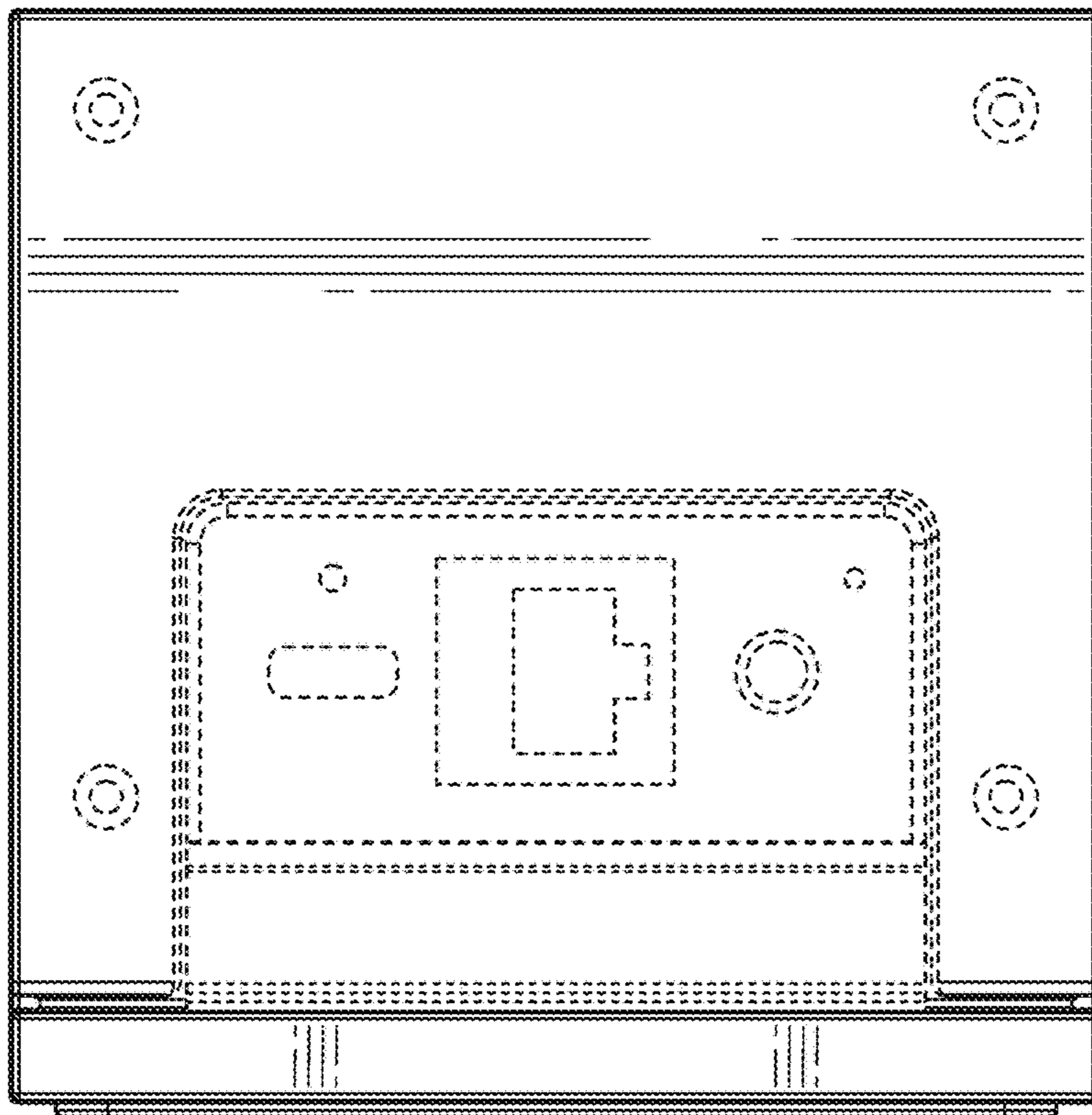


FIG. 3

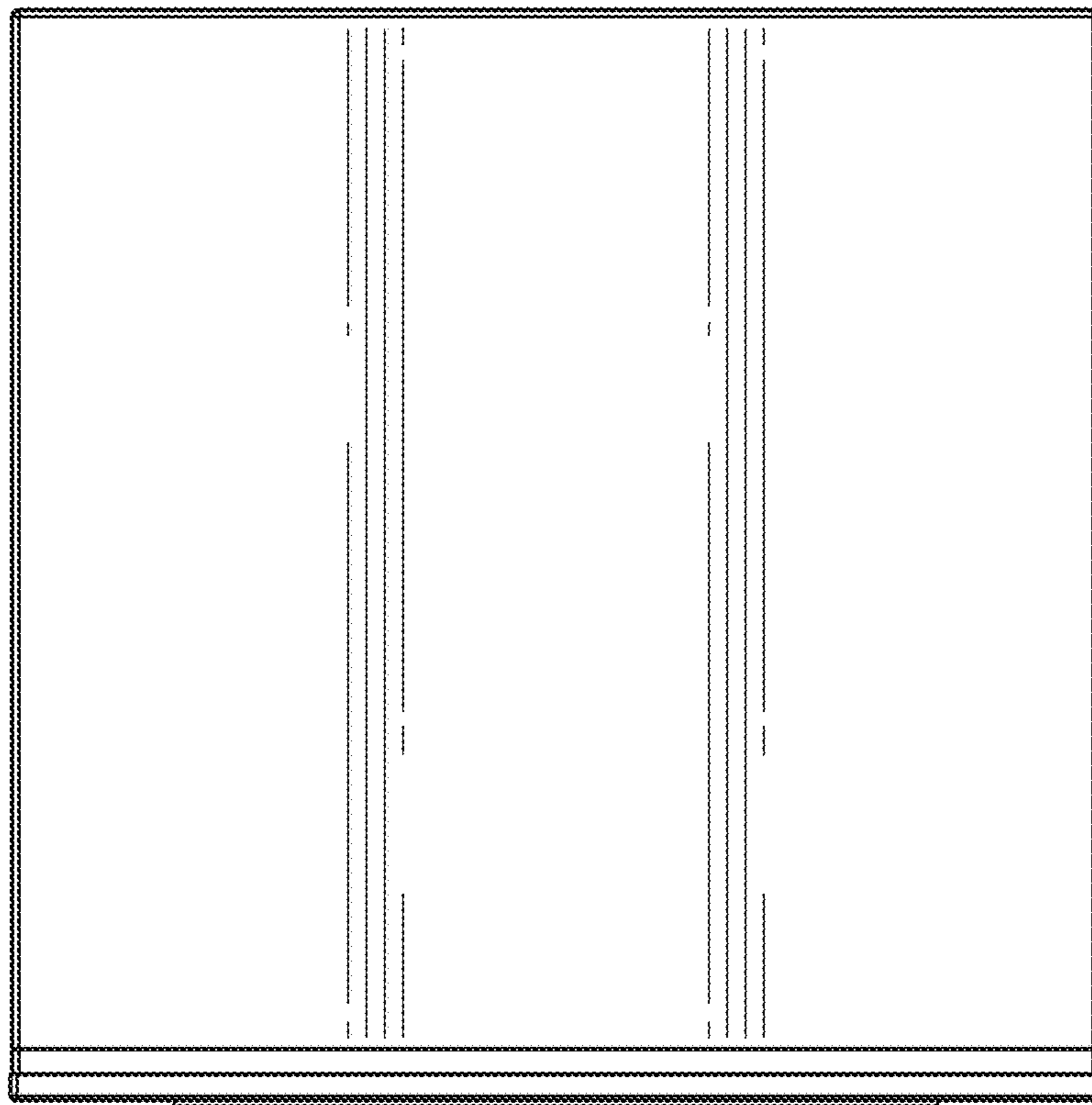


FIG. 4

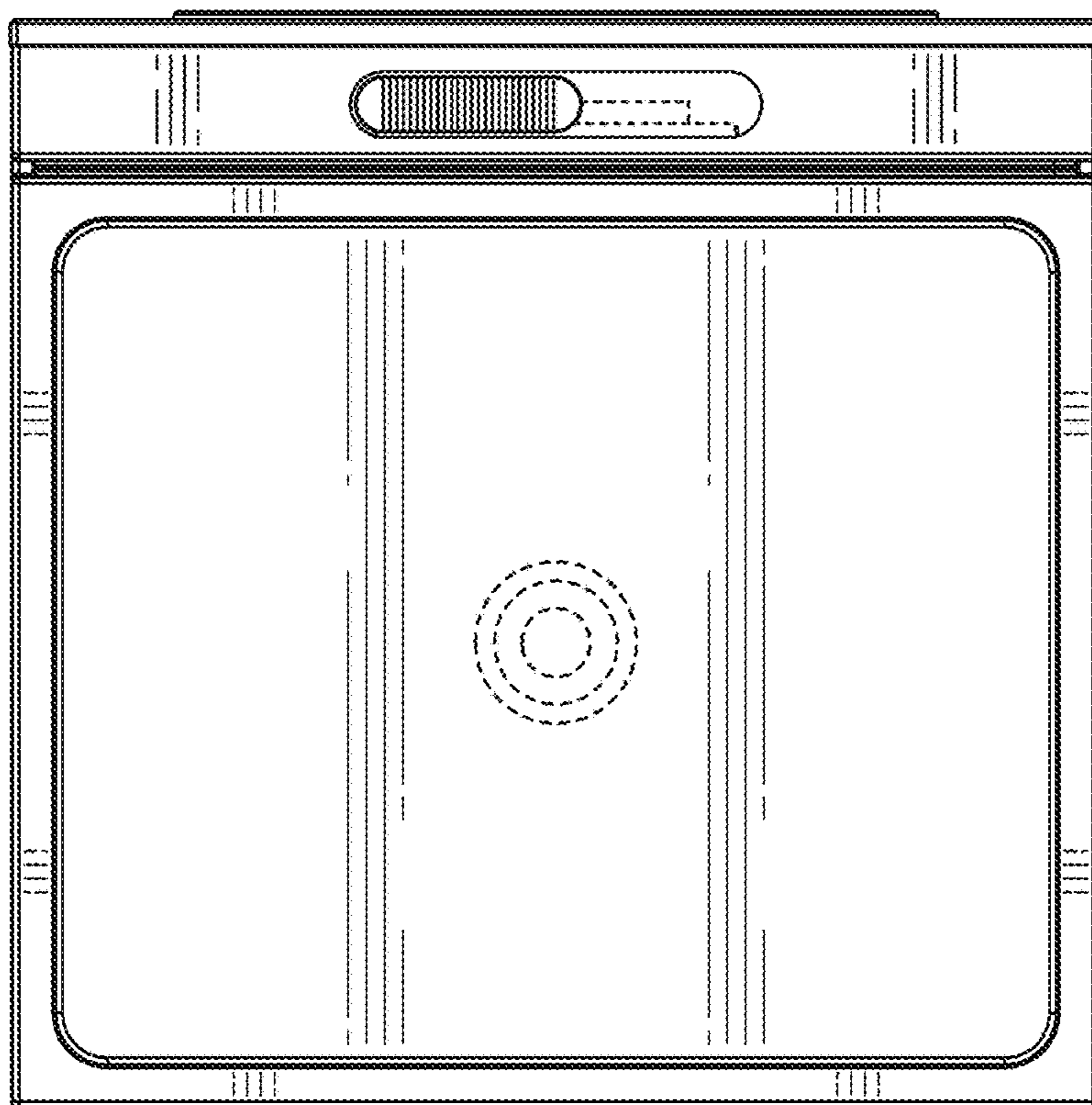


FIG. 5

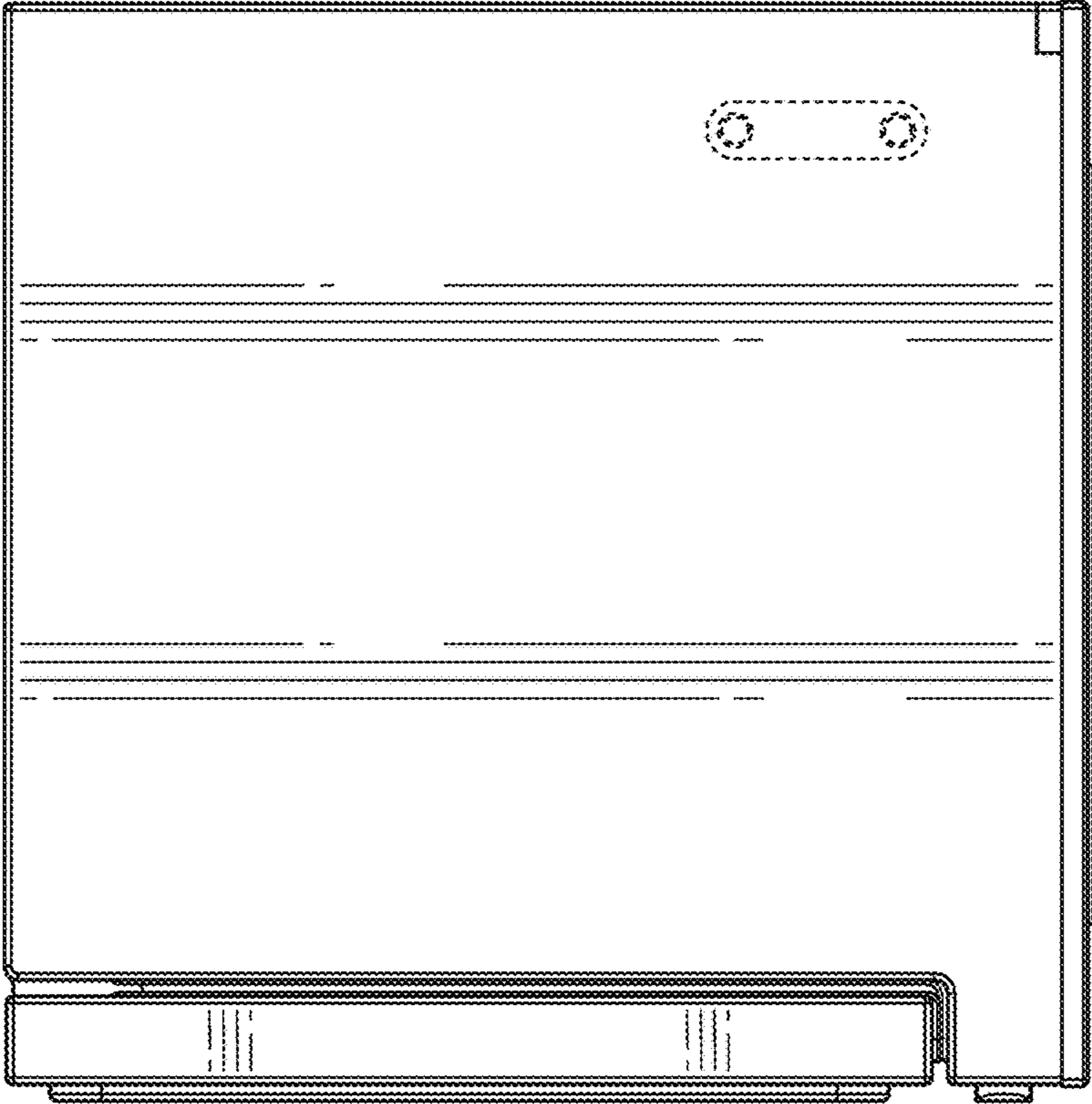


FIG. 6

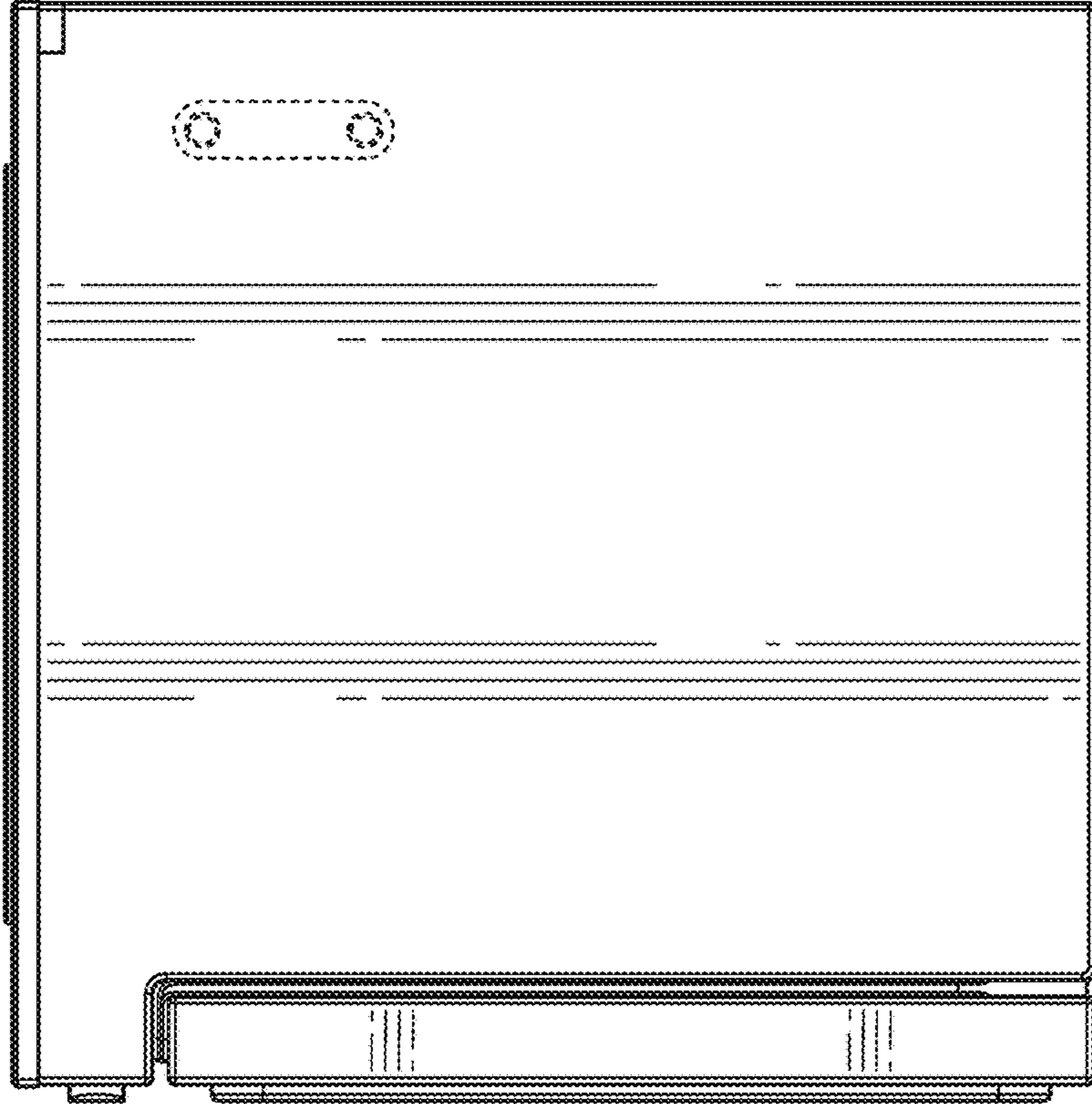


FIG. 7

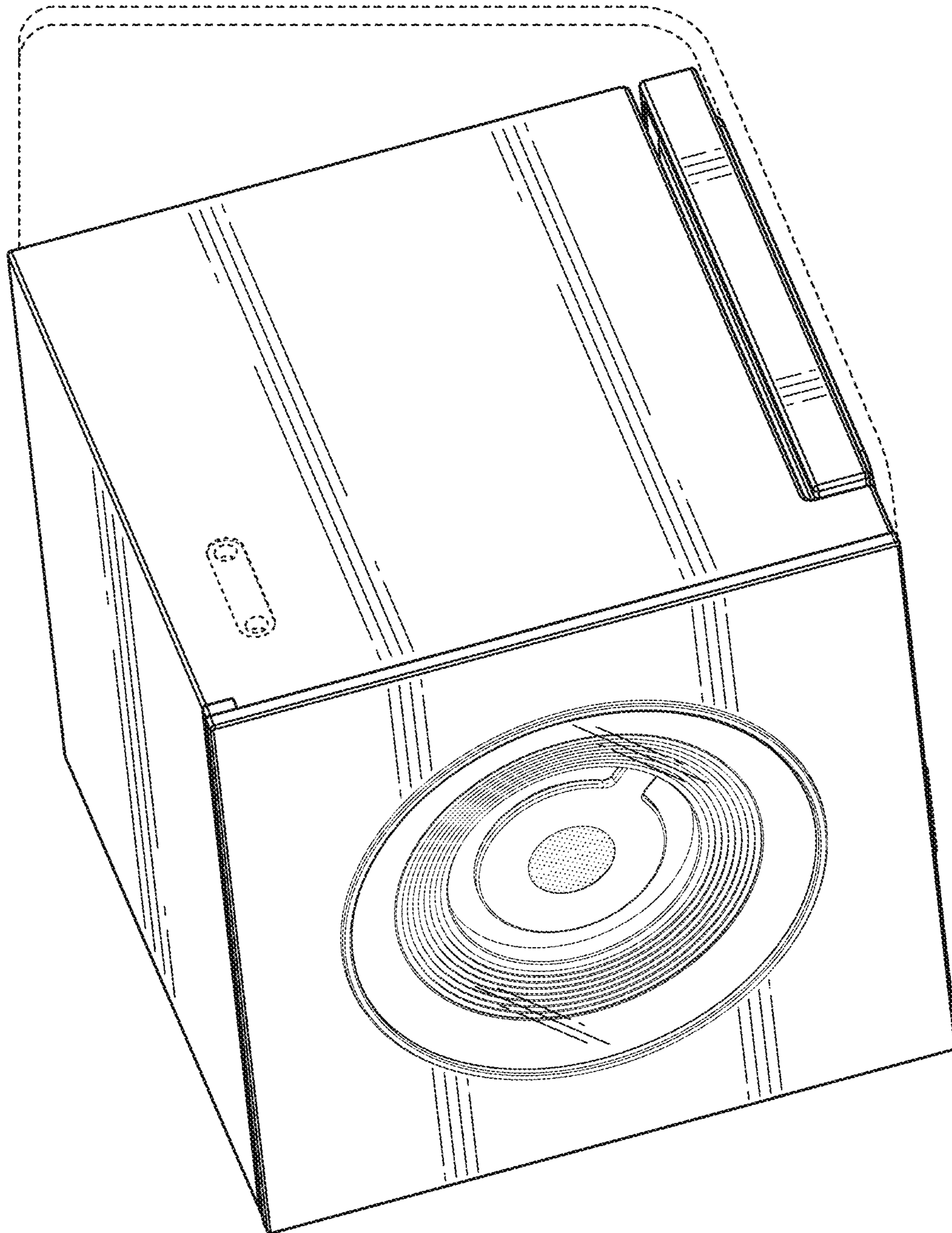


FIG. 8

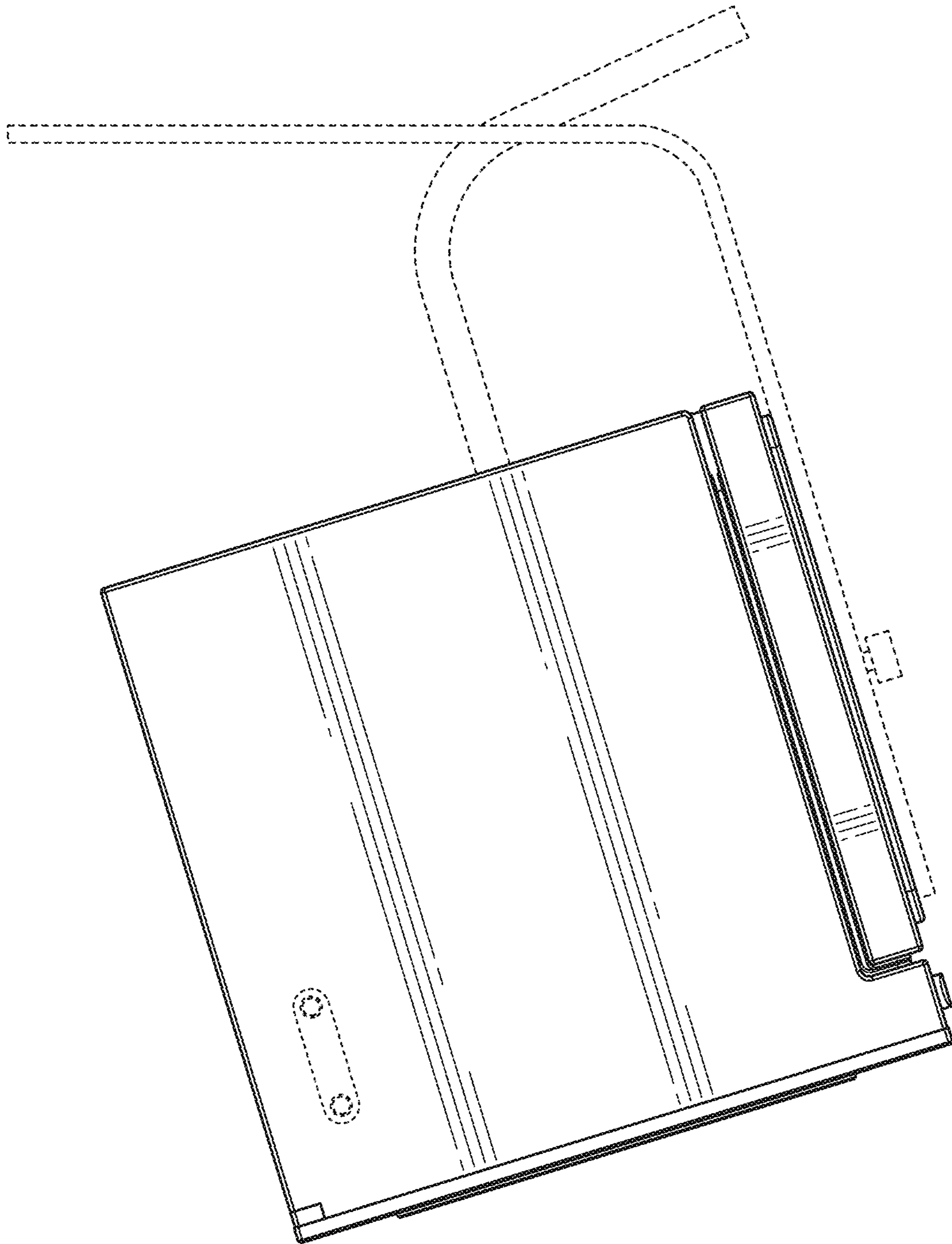


FIG. 9

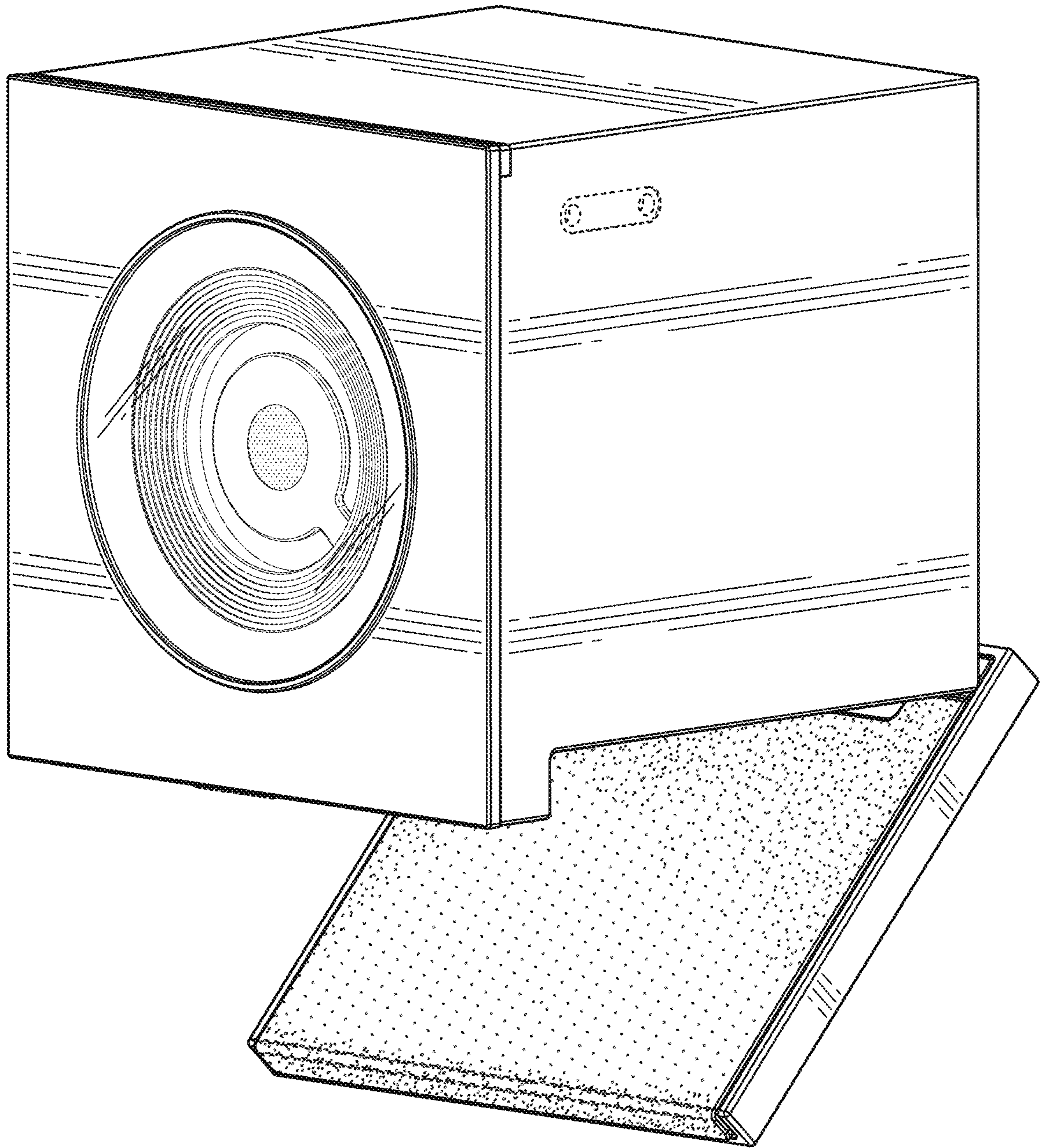


FIG. 10

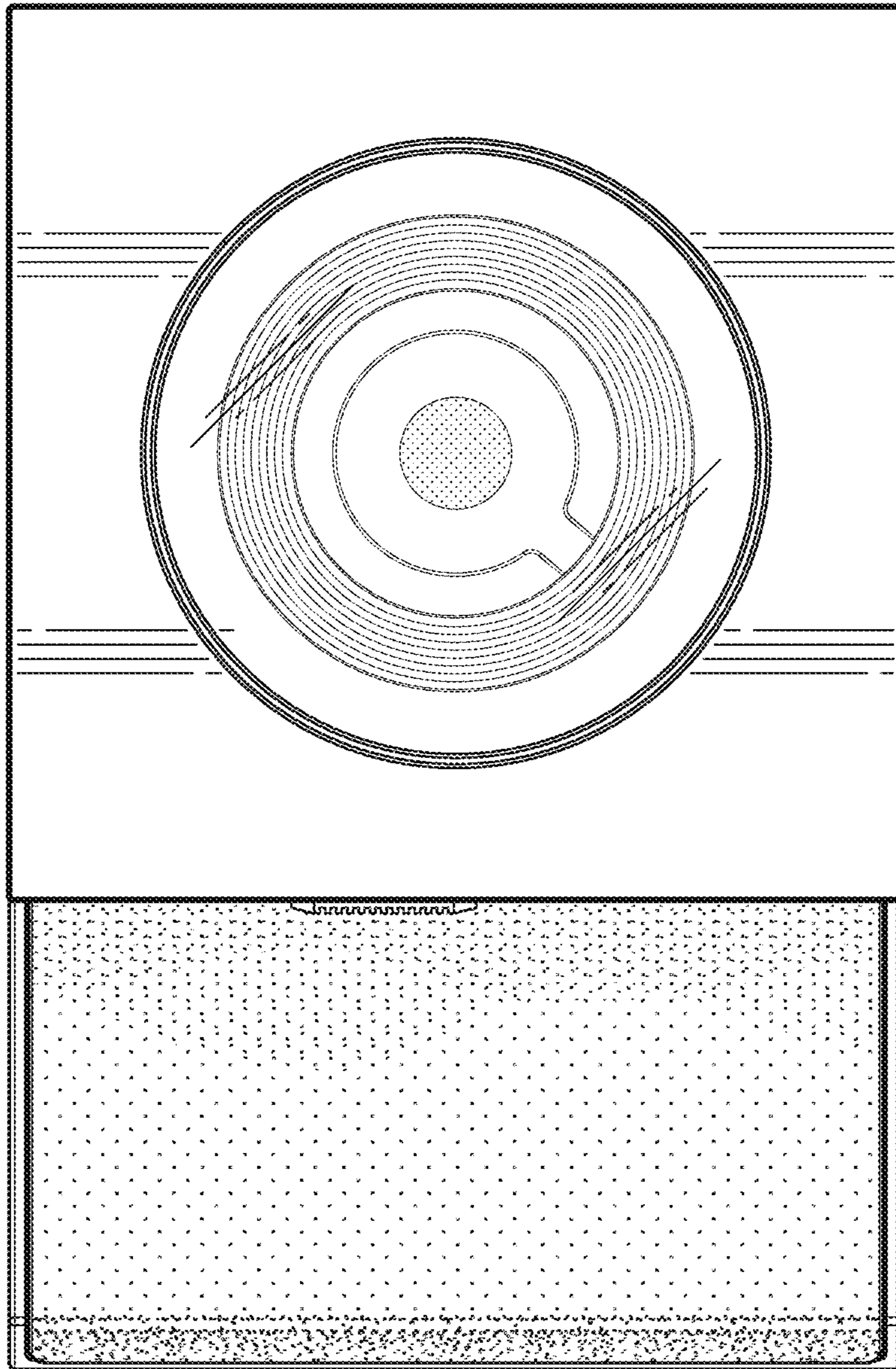


FIG. 11

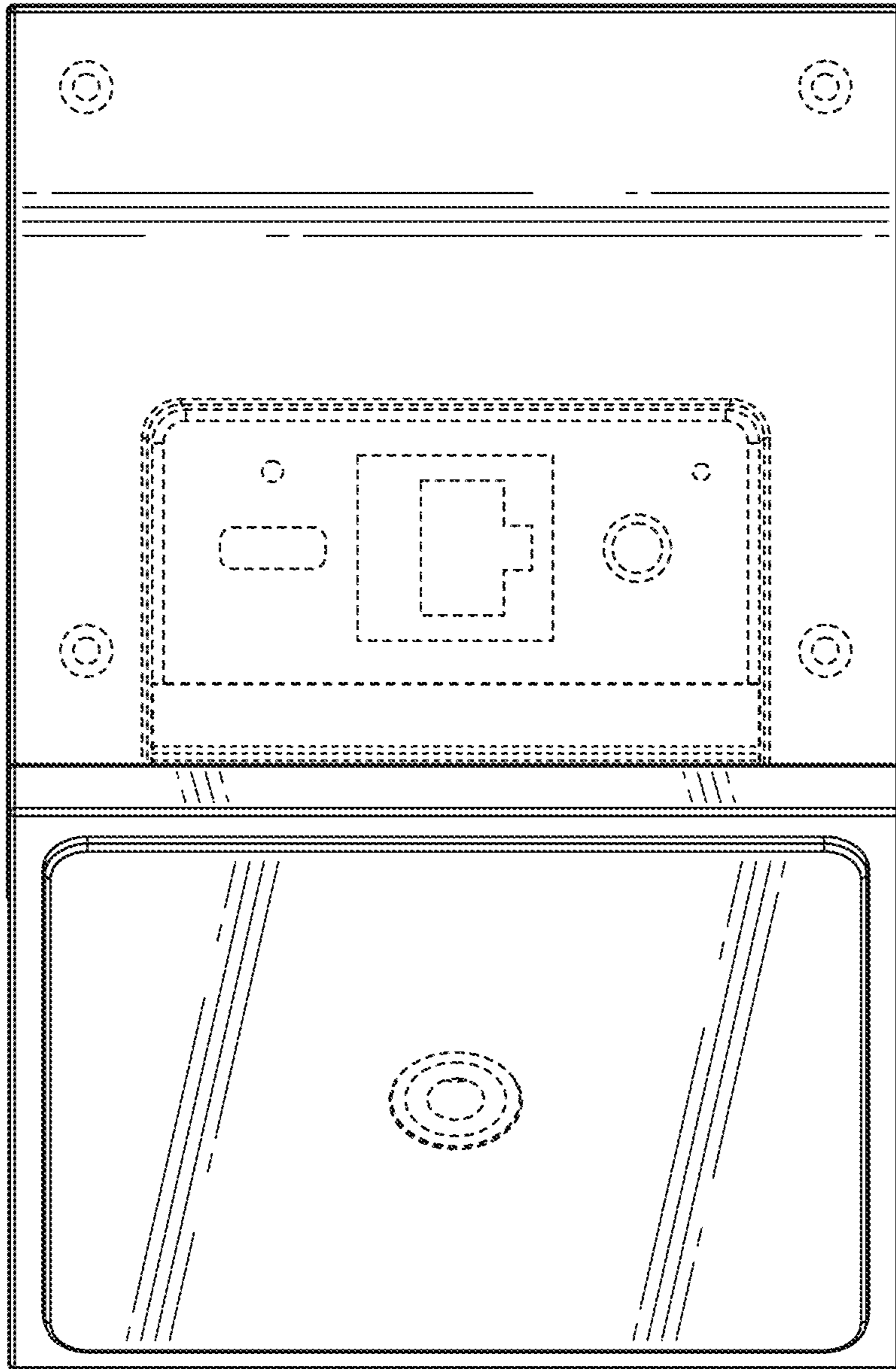


FIG. 12

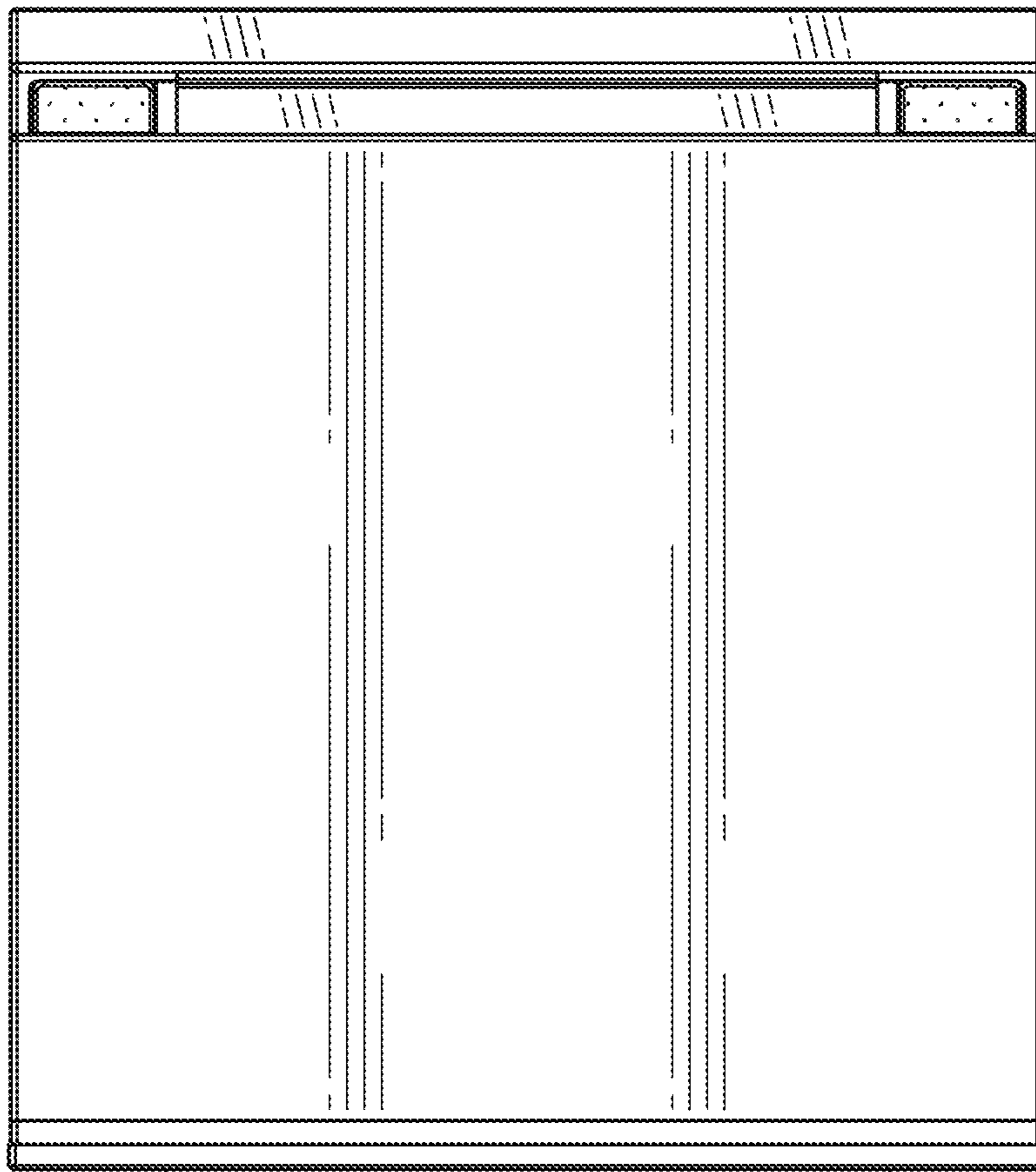


FIG. 13

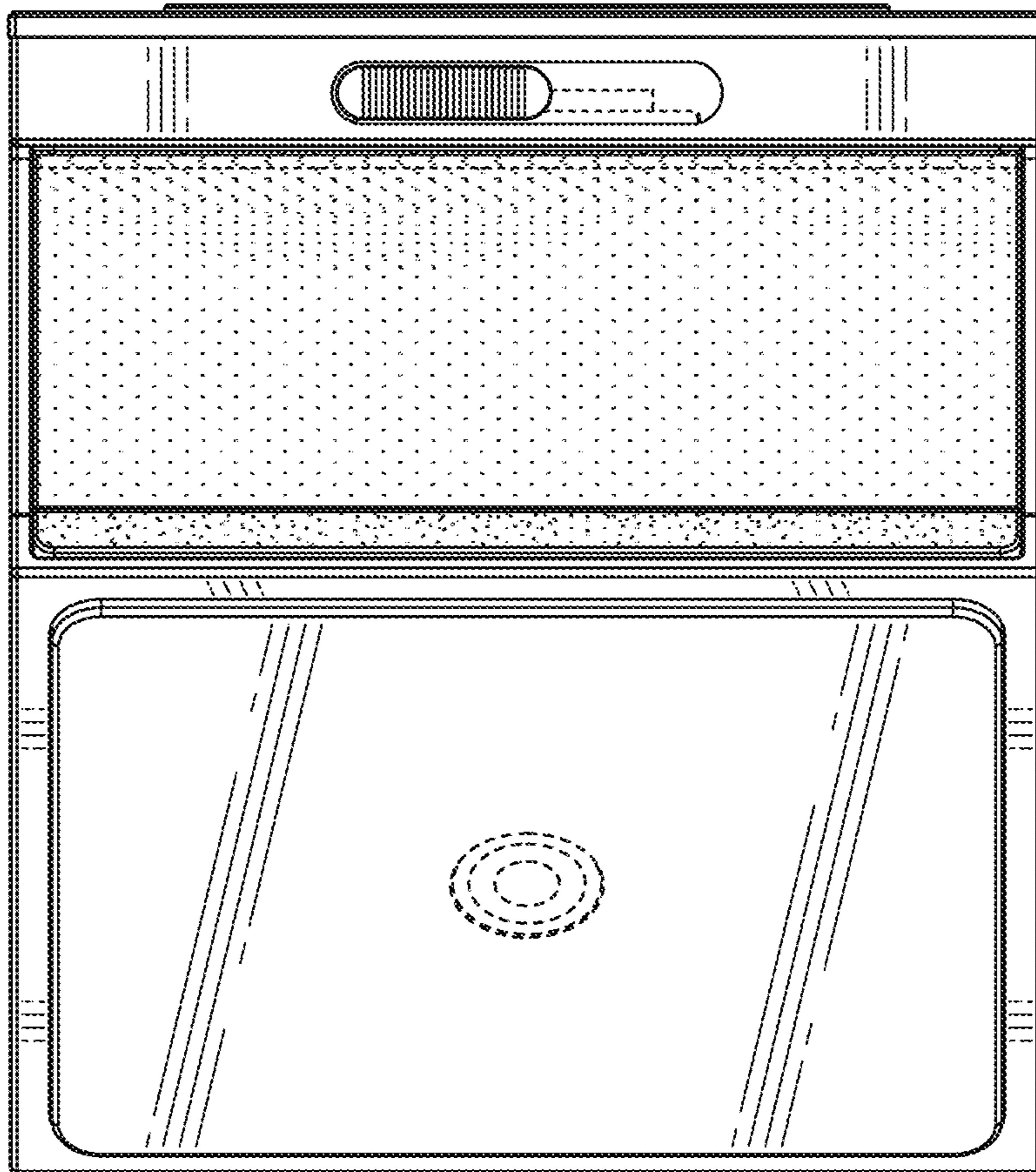


FIG. 14

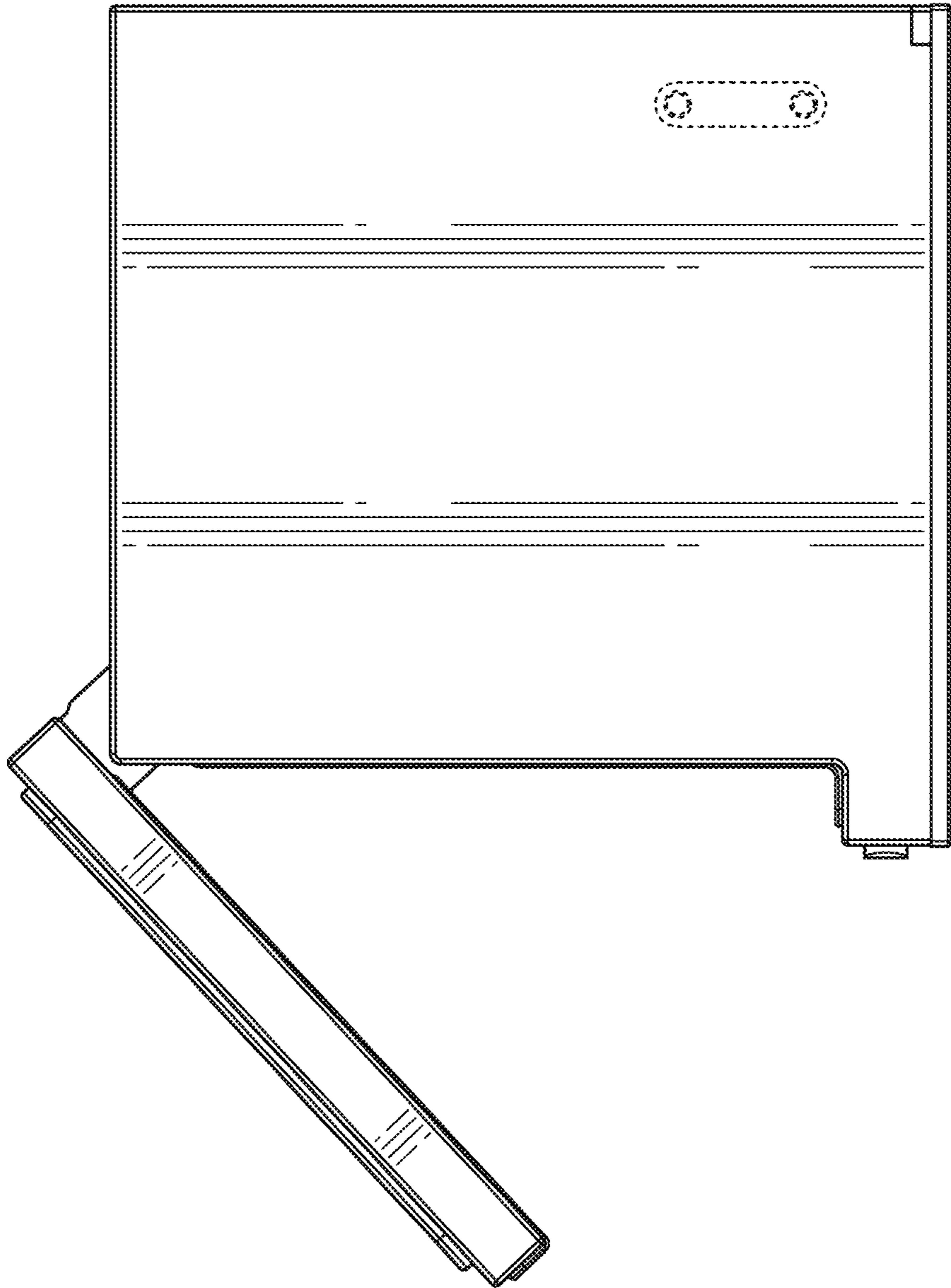


FIG. 15

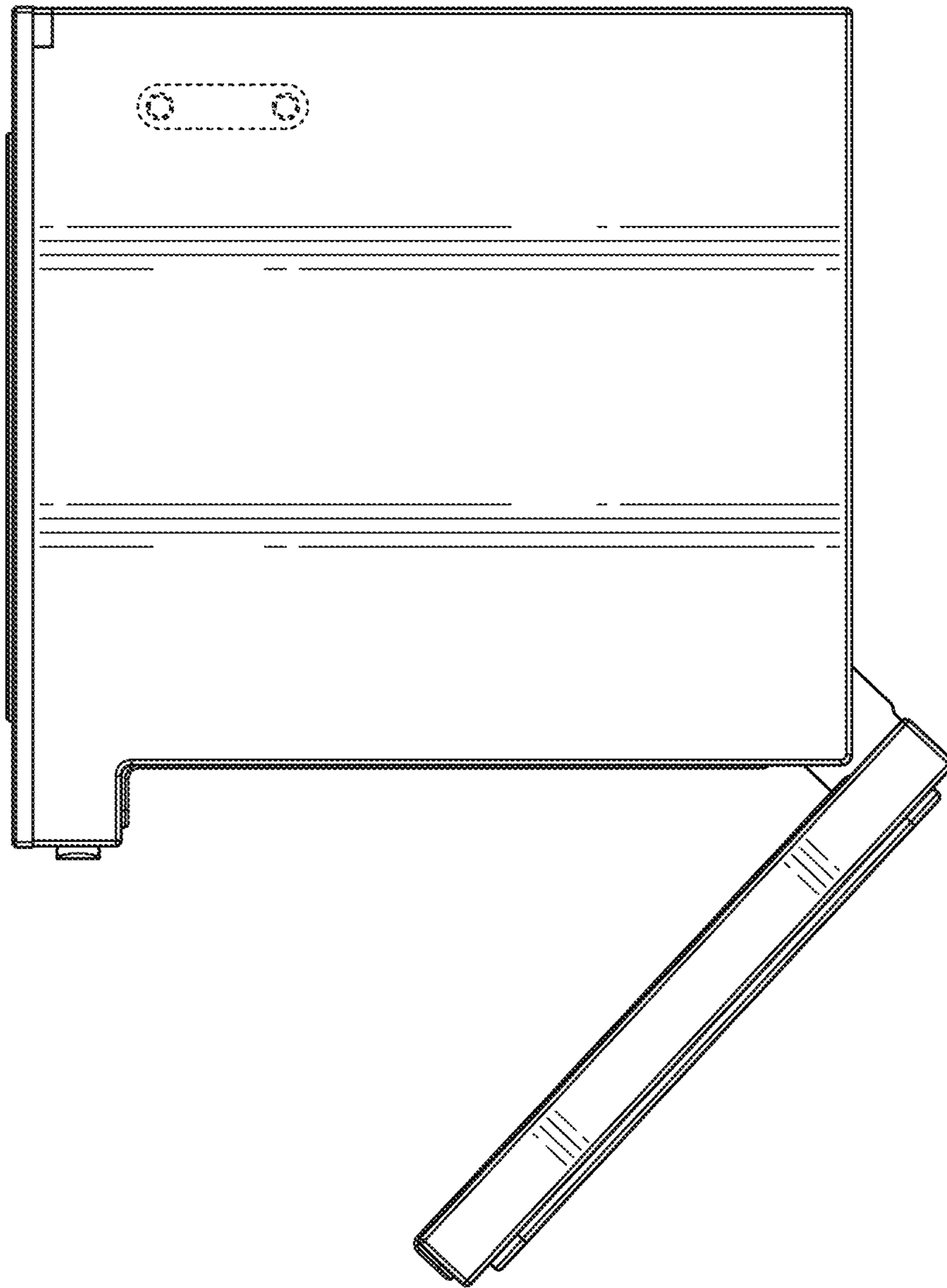


FIG. 16

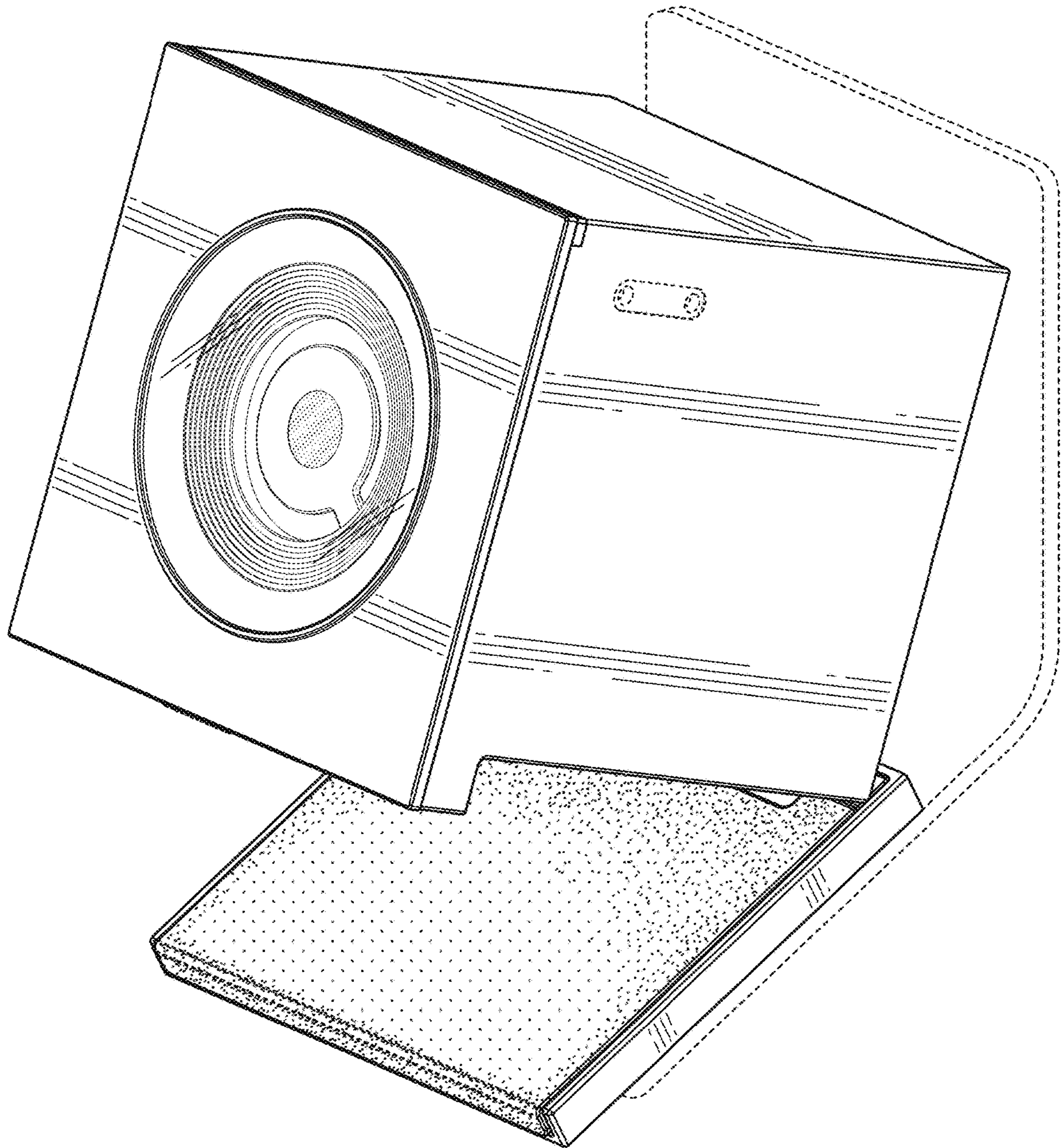


FIG. 17

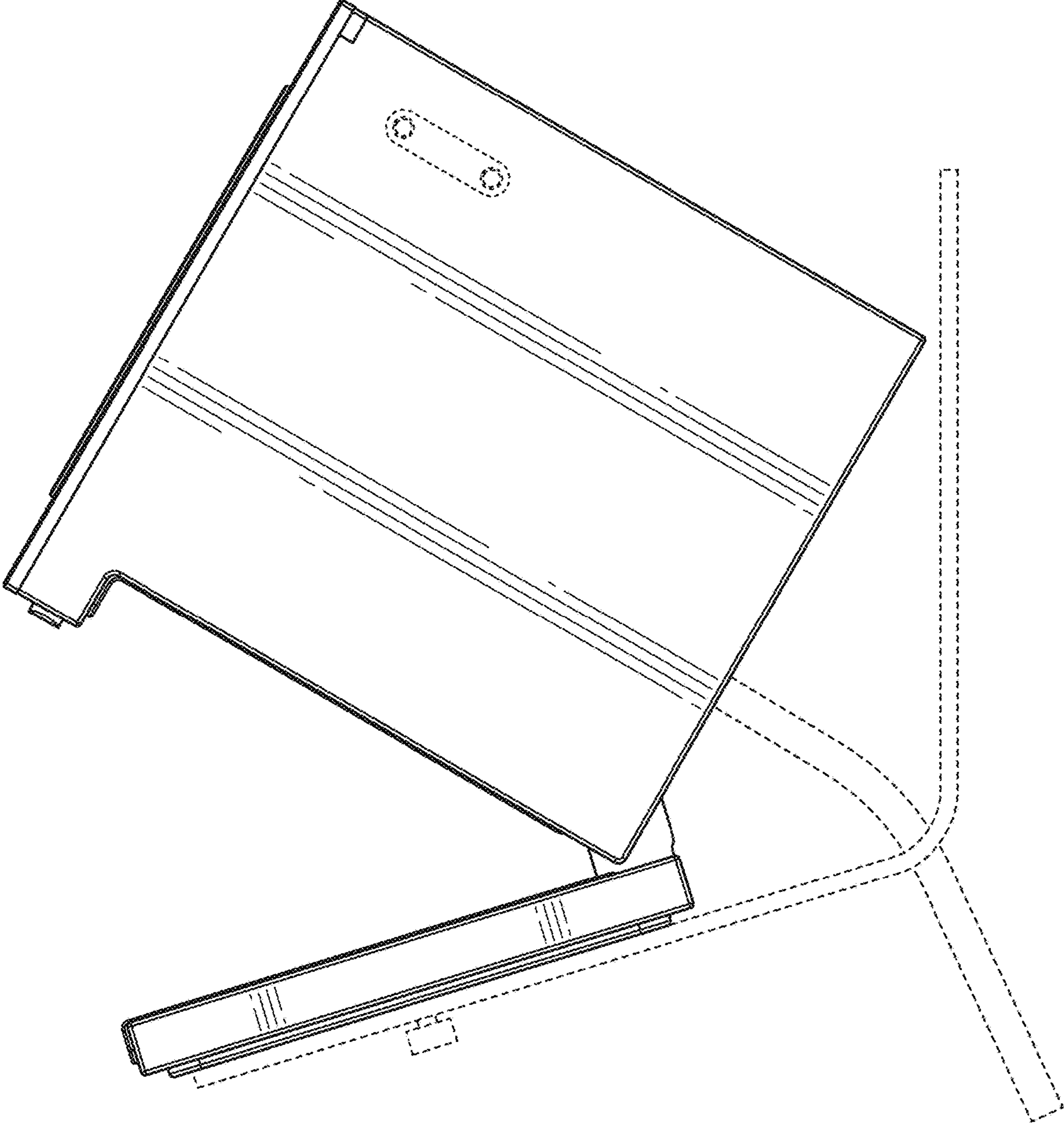


FIG. 18