

US00D905777S

(12) **United States Design Patent** (10) **Patent No.:** **US D905,777 S**
Vozzi et al. (45) **Date of Patent:** **** *Dec. 22, 2020**

(54) **ACCESSORY FOR A MONITORING CAMERA**

(71) Applicant: **AXIS AB**, Lund (SE)

(72) Inventors: **Mariano Vozzi**, Lund (SE); **Mathias Walter**, Lund (SE); **Sebastian Engwall**, Lund (SE); **Jonas Sjogren**, Lund (SE); **Felix Carlsson**, Lund (SE)

(73) Assignee: **AXIS AB**, Lund (SE)

(*) Notice: This patent is subject to a terminal disclaimer.

(**) Term: **15 Years**

(21) Appl. No.: **29/703,281**

(22) Filed: **Aug. 26, 2019**

(30) **Foreign Application Priority Data**

Feb. 27, 2019 (EM) 006269262-0003
Feb. 27, 2019 (EM) 006269262-0004
Feb. 27, 2019 (EM) 006269262-0005
Feb. 27, 2019 (EM) 006269262-0006

(51) **LOC (12) Cl.** **16-01**

(52) **U.S. Cl.**
USPC **D16/203**

(58) **Field of Classification Search**
USPC D16/200, 202-208, 218, 219, 242;
348/143, 148, 151, 164, 373-376;
396/419, 427, 535, 539-541
CPC G03B 17/02; G03B 19/04; G03B 17/56;
G03B 17/04; G03B 15/03; H04N 5/2251;
H04N 5/2252; H04N 5/2253; H04N
5/2254; H04N 7/181; H04N 7/183; H04N
7/18; G08B 13/1963; G08B 13/19619;
G08B 13/19632; F16M 11/04; F16M
13/00

See application file for complete search history.

(56) **References Cited**

U.S. PATENT DOCUMENTS

D527,405 S *	8/2006	Kim	D16/202
D544,515 S *	6/2007	Walter	D16/203
D609,727 S *	2/2010	Adolfsson	D16/200
D691,646 S *	10/2013	Bergstrom	D16/203
D740,872 S *	10/2015	Wada	D16/203
D798,358 S *	9/2017	Holbrook	D16/203
D798,362 S *	9/2017	Holbrook	D16/203
D812,670 S *	3/2018	Andersson	D16/203
D815,176 S *	4/2018	Ahman	D16/203
D826,305 S *	8/2018	Ahman	D16/203
D849,097 S *	5/2019	Bull	D16/203
D876,513 S *	2/2020	Garre	D16/203
D884,046 S *	5/2020	Hsu	D16/202

* cited by examiner

Primary Examiner — Ramzi S Almatrahi

(74) *Attorney, Agent, or Firm* — Volpe Koenig

(57) **CLAIM**

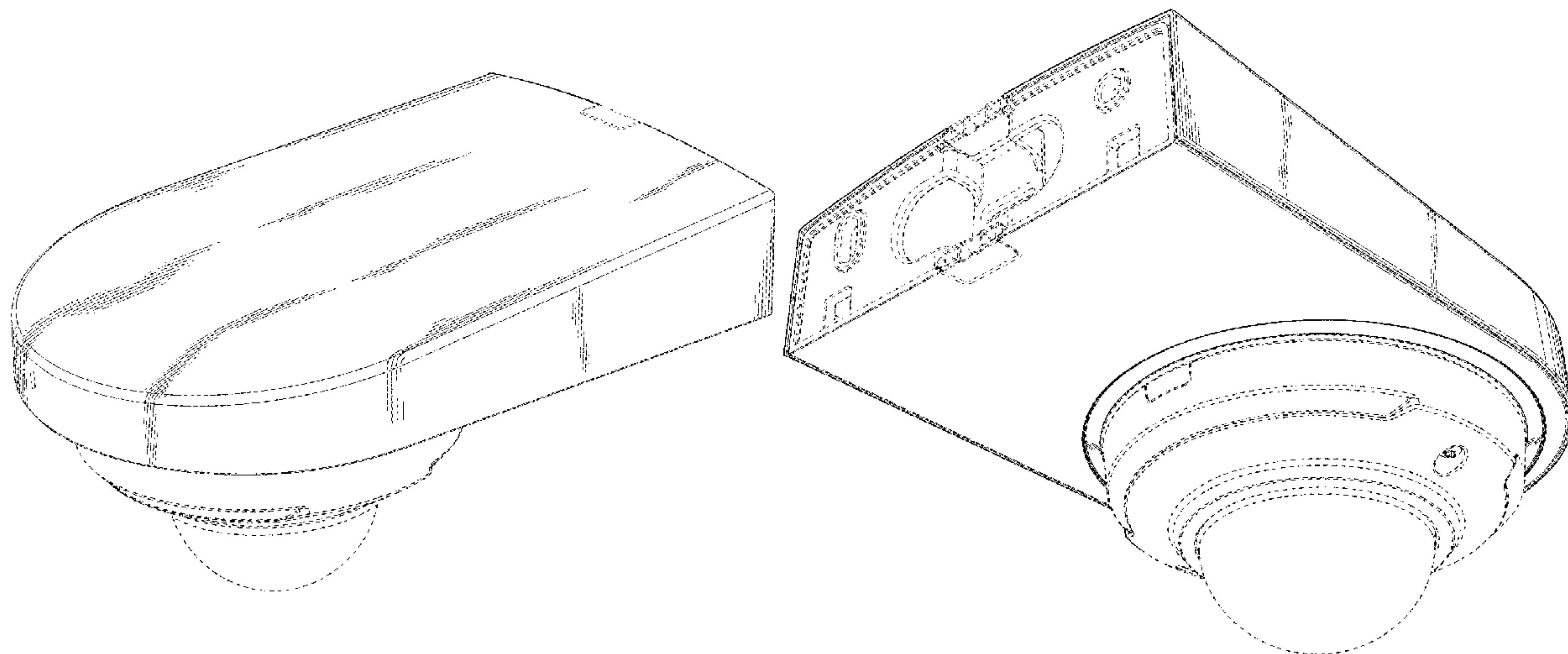
The ornamental design for an accessory for a monitoring camera, as shown and described.

DESCRIPTION

FIG. 1 is a top, front, right perspective view of an accessory for a monitoring camera in accordance with our design; FIG. 2 is a bottom, rear, left perspective view thereof; FIG. 3 is a front elevational view thereof; FIG. 4 is a top plan view thereof; FIG. 5 is a left side elevational view thereof; FIG. 6 is a rear elevational view thereof; FIG. 7 is a bottom plan view thereof; and, FIG. 8 is a right side elevational view thereof.

The broken lines represent portions of the accessory for a monitoring camera in which the design is embodied that form no part of the claimed design.

1 Claim, 7 Drawing Sheets



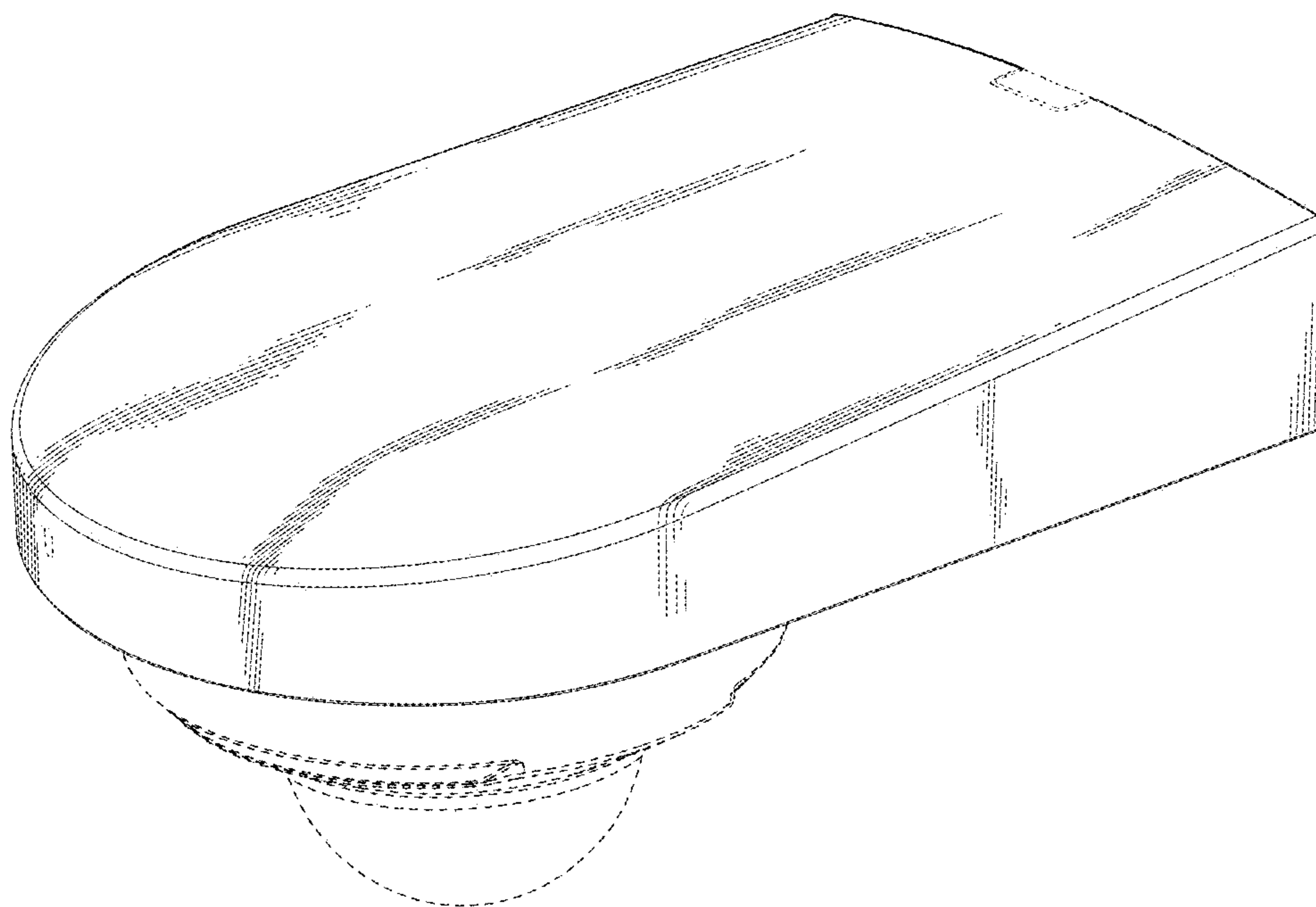


Fig. 1

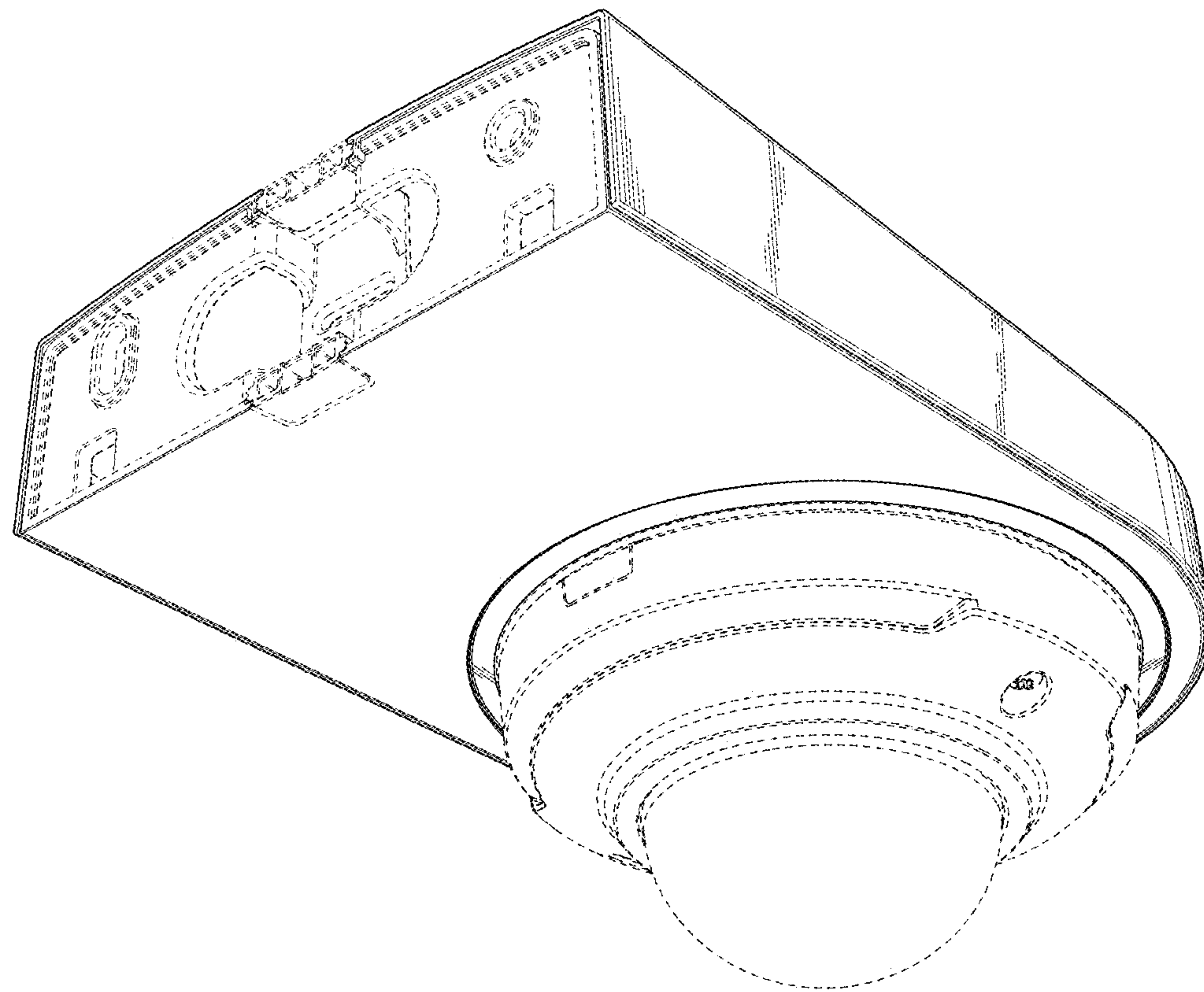


Fig. 2

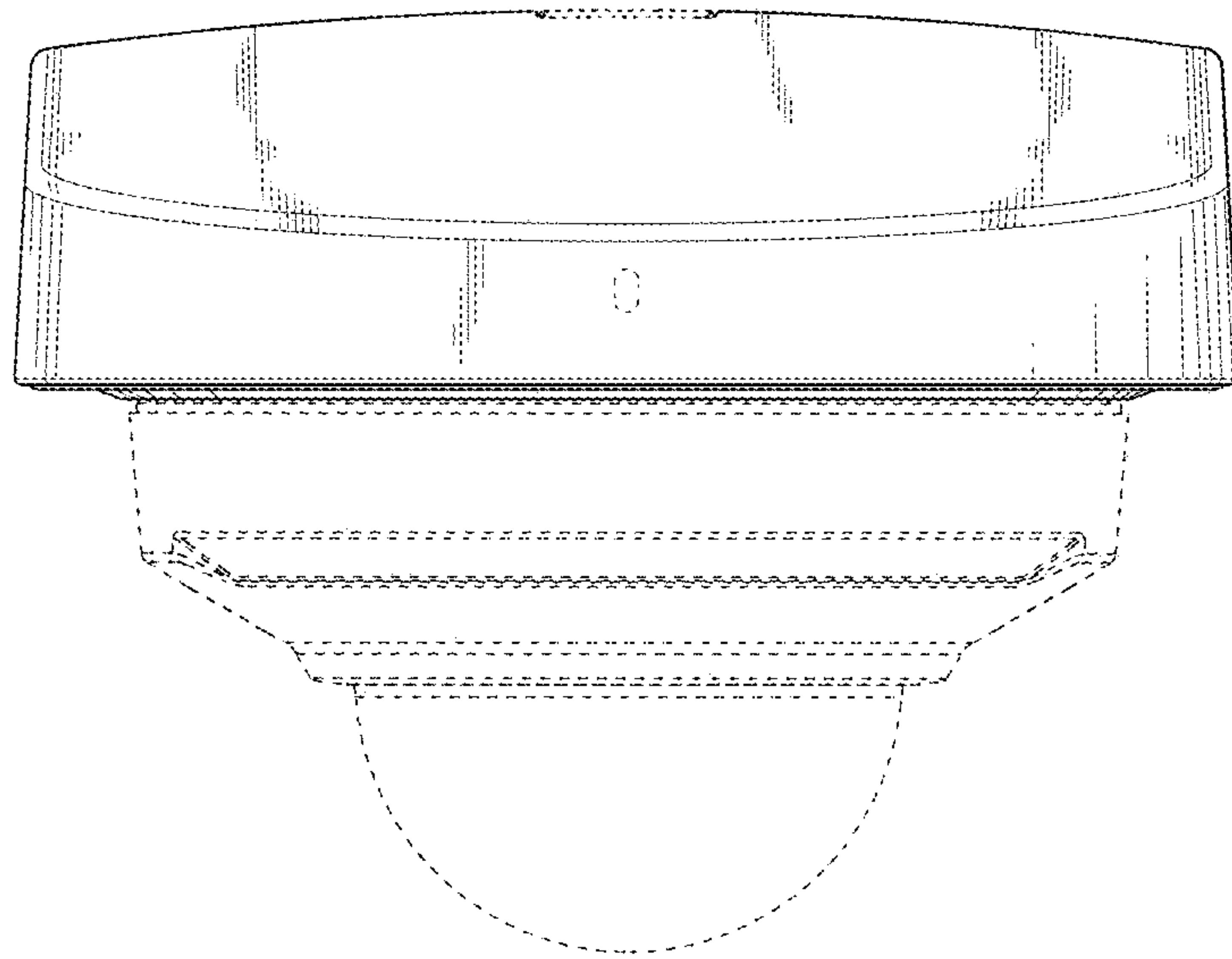


Fig. 3

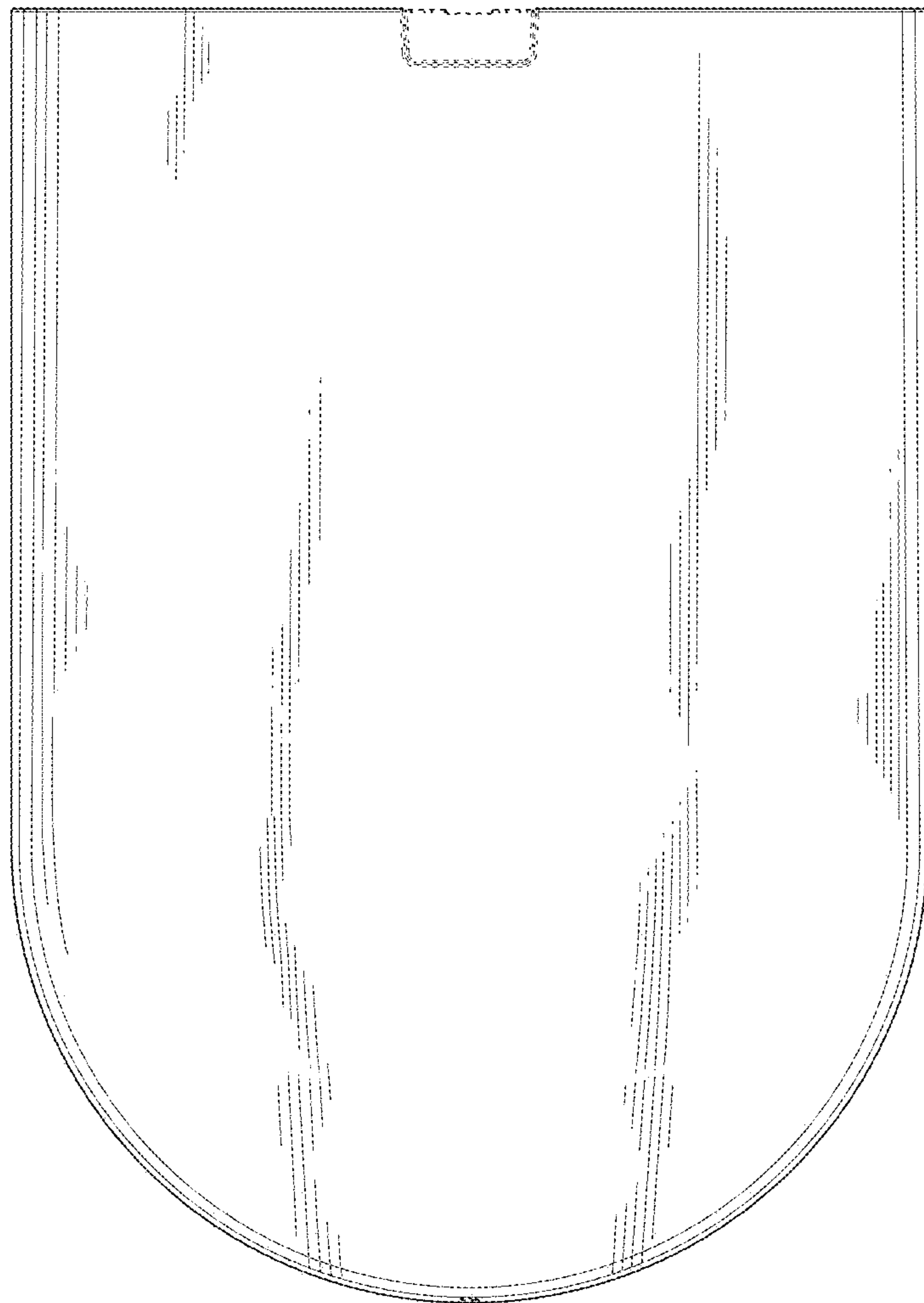


Fig. 4

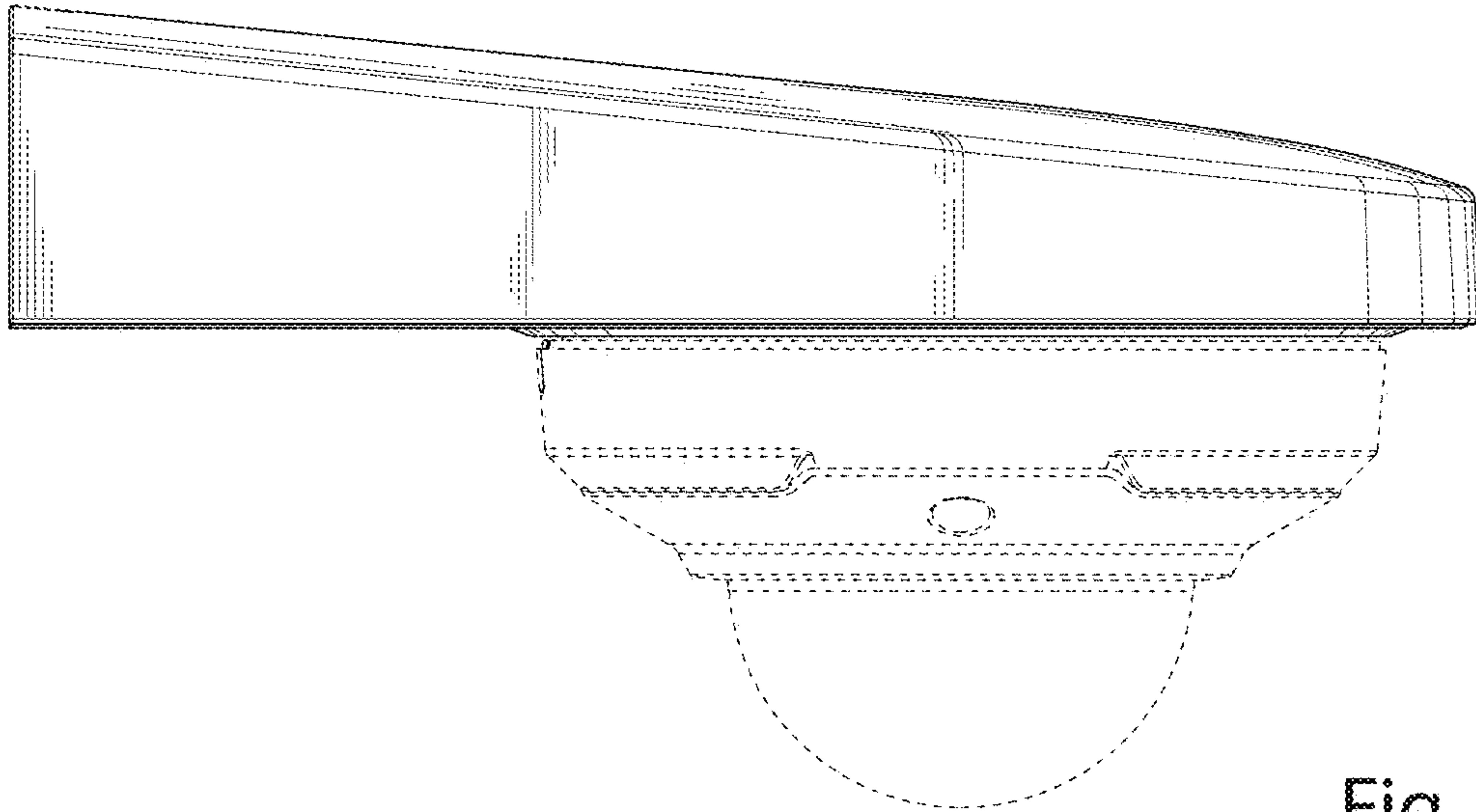


Fig. 5

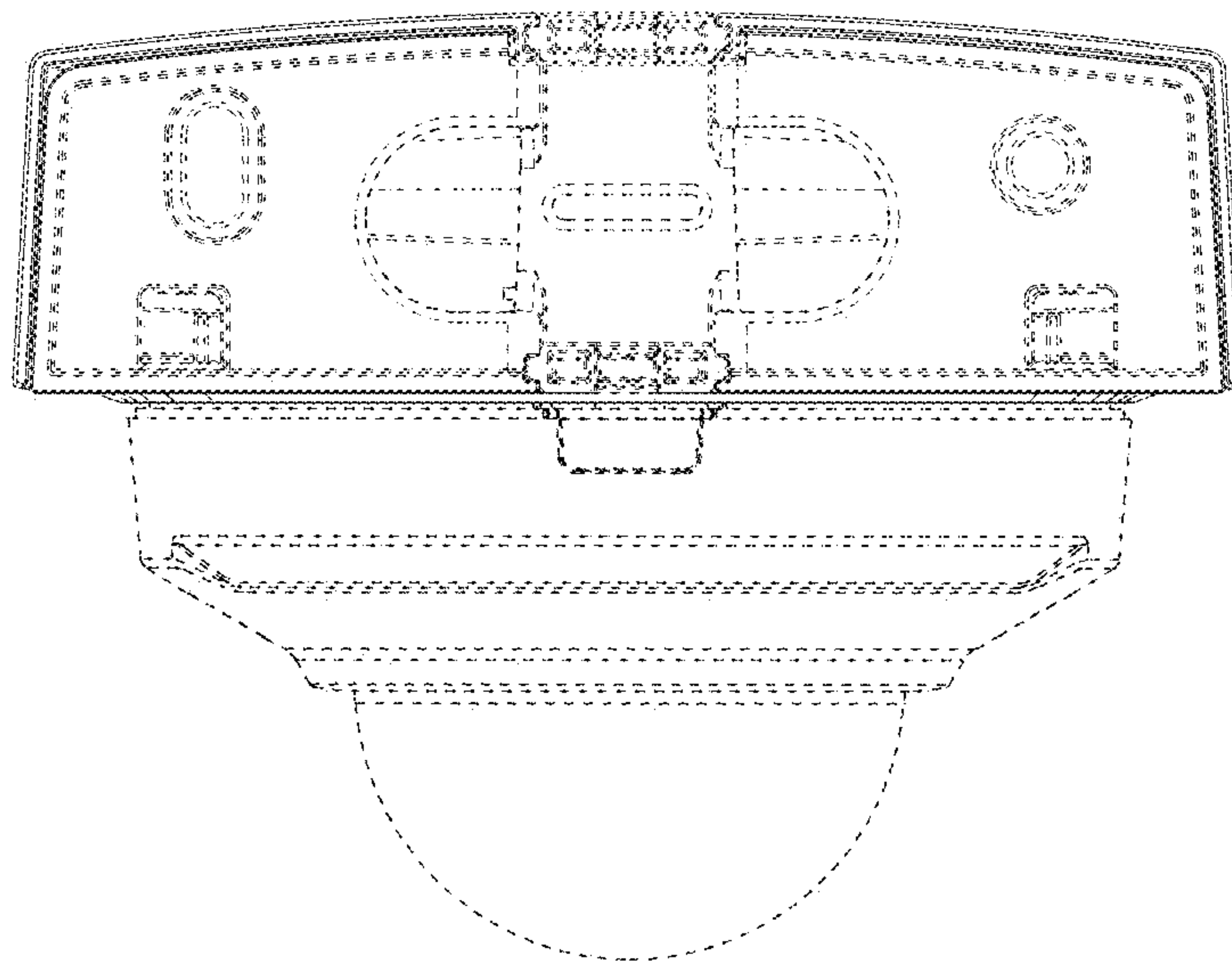


Fig. 6

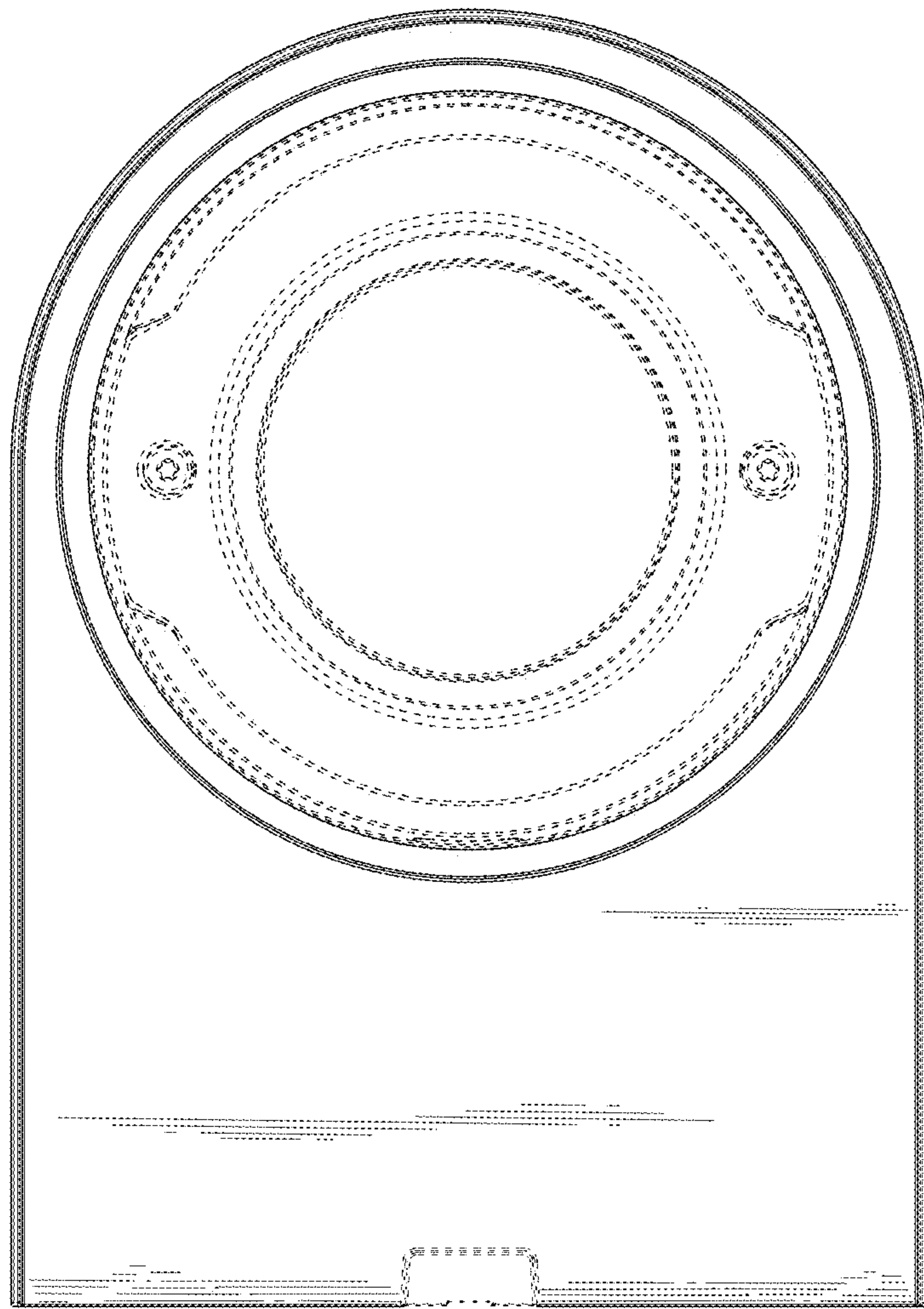


Fig. 7

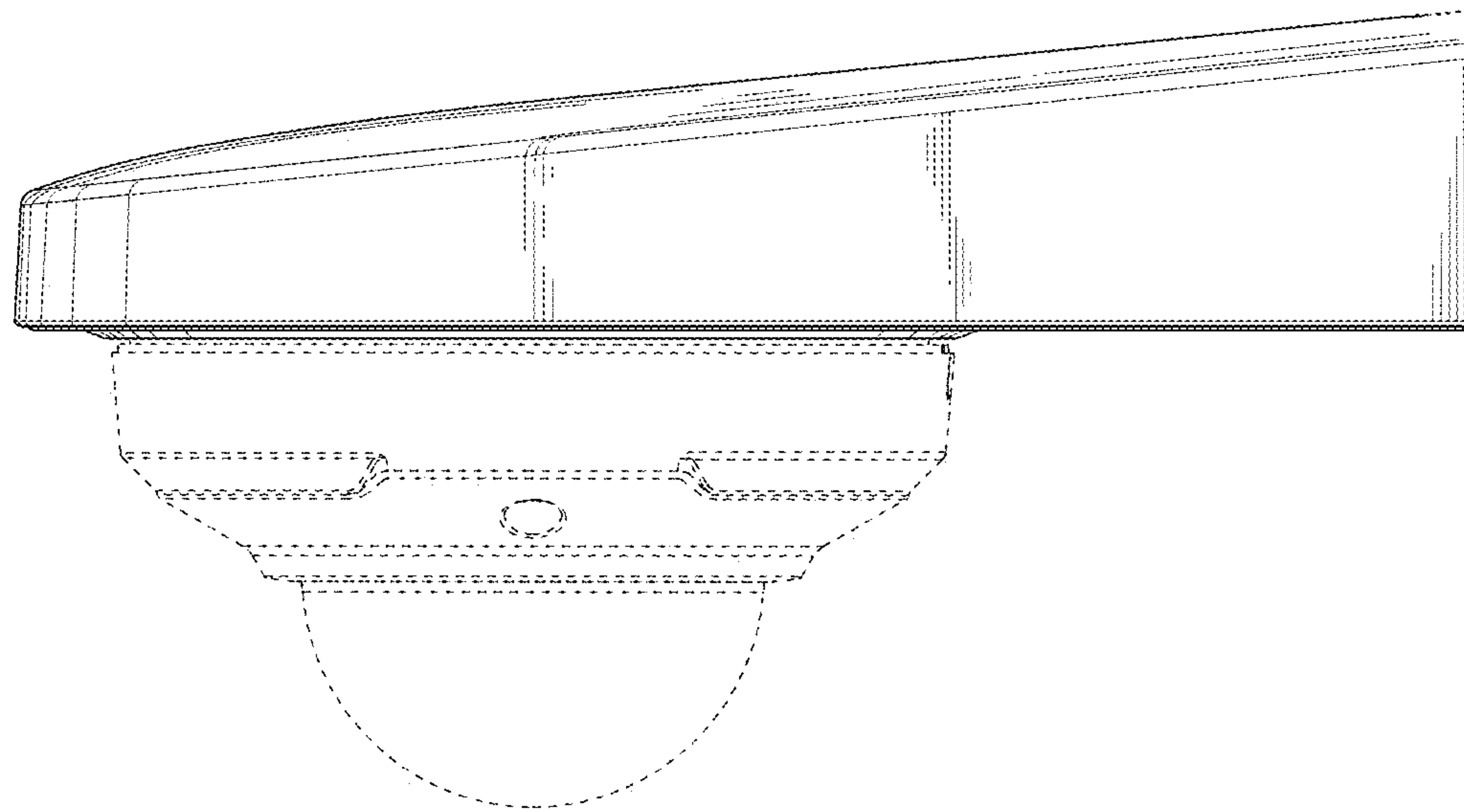


Fig. 8