



US00D905776S

(12) **United States Design Patent** (10) **Patent No.:** **US D905,776 S**
Yang (45) **Date of Patent:** **** Dec. 22, 2020**

(54) **HANDLE FOR TELESCOPE**
(71) Applicant: **Ching-Chou Yang**, New Taipei (TW)
(72) Inventor: **Ching-Chou Yang**, New Taipei (TW)
(**) Term: **15 Years**
(21) Appl. No.: **29/674,861**
(22) Filed: **Dec. 27, 2018**
(51) **LOC (12) Cl.** **16-06**
(52) **U.S. Cl.**
USPC **D16/132**
(58) **Field of Classification Search**
USPC D16/132, 130, 131, 136, 100, 101;
D10/46; D22/108, 109; D24/150, 172,
D24/133
CPC ... G01C 3/00; G01C 3/02; G01C 3/04; G01C
3/06; G01C 3/08; G01C 3/085; G01C
3/10; G01C 3/12; G01C 3/16; G01C
3/18; G01C 3/20
See application file for complete search history.

(56) **References Cited**
U.S. PATENT DOCUMENTS
3,555,687 A * 1/1971 Joseph F41G 11/001
42/124
D236,232 S * 8/1975 Kleinerman D16/136
D263,732 S * 4/1982 Bechtel D22/110
D265,920 S * 8/1982 Bechtel D22/109
D270,079 S * 8/1983 Bechtel D22/110
D271,412 S * 11/1983 Long D22/110
D281,804 S * 12/1985 Bechtel D22/108
D281,894 S * 12/1985 Bechtel D22/108
D291,470 S * 8/1987 Bechtel D22/110
D336,675 S * 6/1993 Rubin D22/110
D343,440 S * 1/1994 Rubin D22/110

D649,571 S * 11/2011 Cummings G02B 23/18
D16/136
D658,485 S * 5/2012 Wall D8/354
D835,745 S * 12/2018 Storch D22/108
D850,308 S * 6/2019 Yun D10/78
D888,869 S * 6/2020 Chin D22/108
D889,584 S * 7/2020 Cahill D22/108

* cited by examiner

Primary Examiner — Mark A Goodwin
Assistant Examiner — Benjamin M Weeks
(74) *Attorney, Agent, or Firm* — Li & Cai Intellectual
Property Office

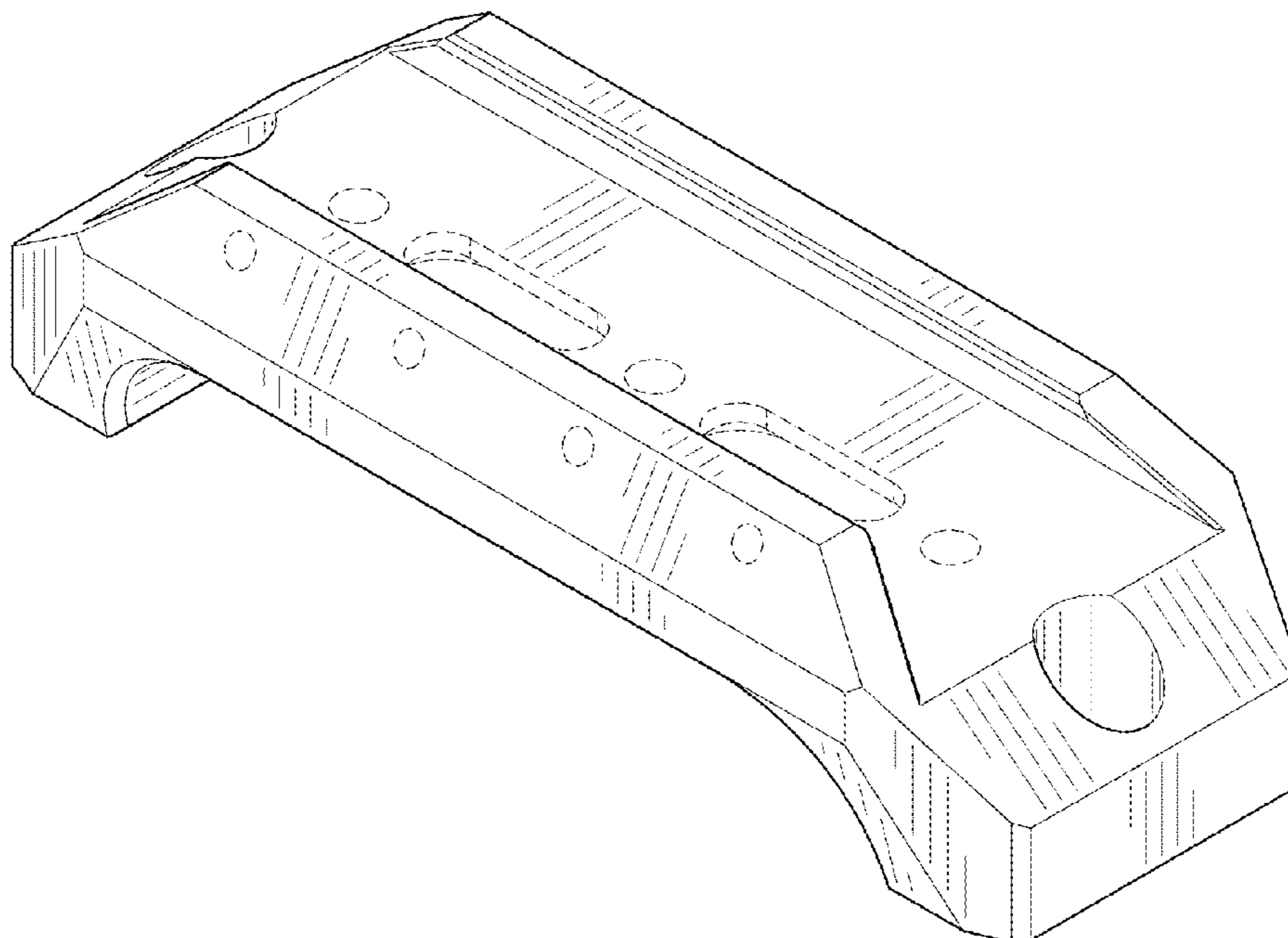
(57) **CLAIM**

The ornamental design for a handle for telescope, as shown and described.

DESCRIPTION

FIG. 1 is a front and top perspective view of a handle for telescope showing my new design;
FIG. 2 is a front elevational view thereof;
FIG. 3 is a rear elevational view thereof;
FIG. 4 is a left side elevational view thereof;
FIG. 5 is a right side elevational view thereof;
FIG. 6 is a top plan view thereof;
FIG. 7 is a bottom plan view thereof; and
FIG. 8 is a rear and bottom perspective view thereof; and,
FIG. 9 is a front and top perspective view showing the handle fastened to a telescope.
The broken lines on the surface of the claim in FIGS. 1-9 depict portions of the handle for telescope that form no part of the claimed design.
The broken lines showing a telescope in FIG. 9 depict environmental structure that forms no part of the claimed design.

1 Claim, 6 Drawing Sheets



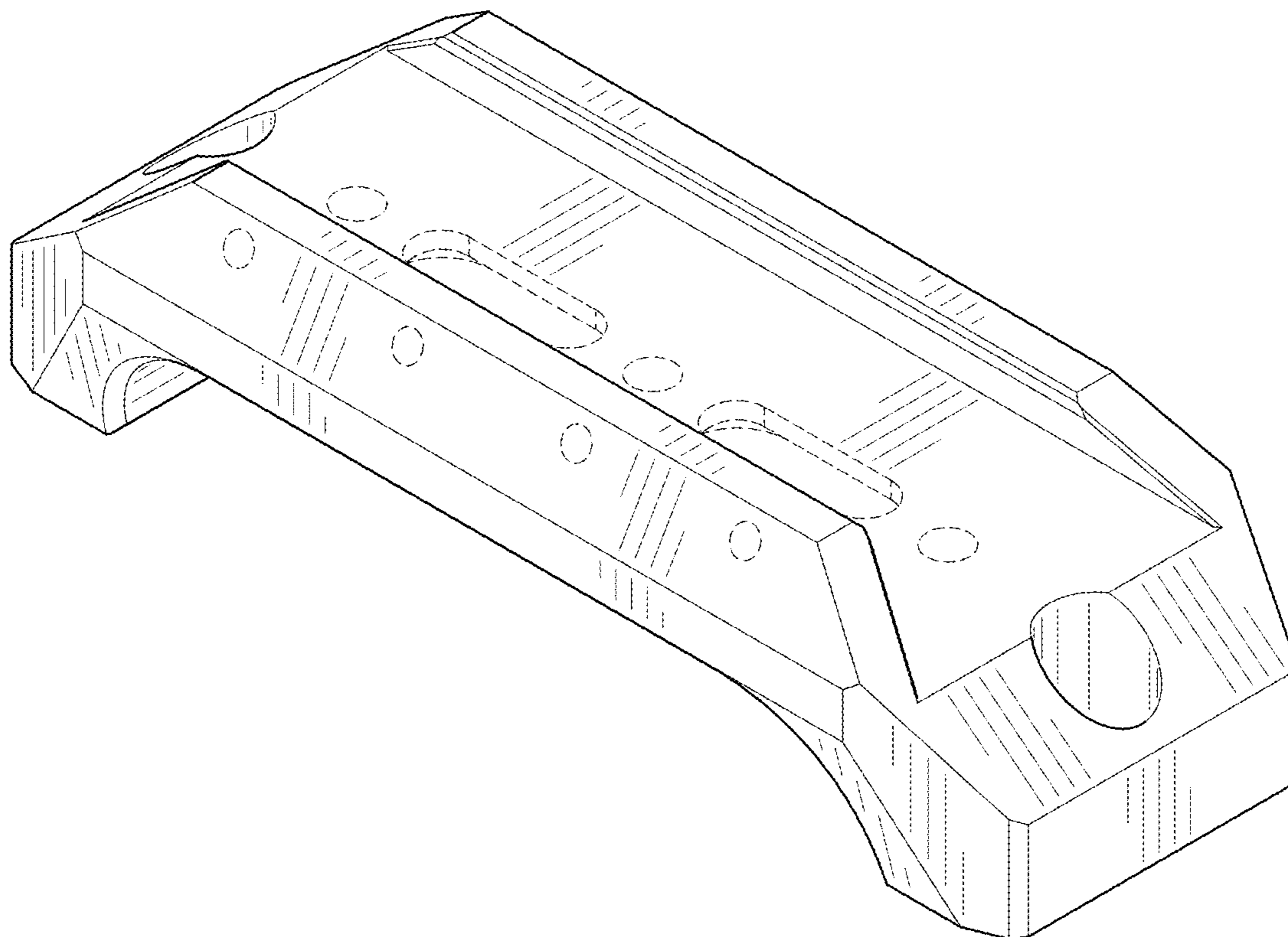


FIG. 1

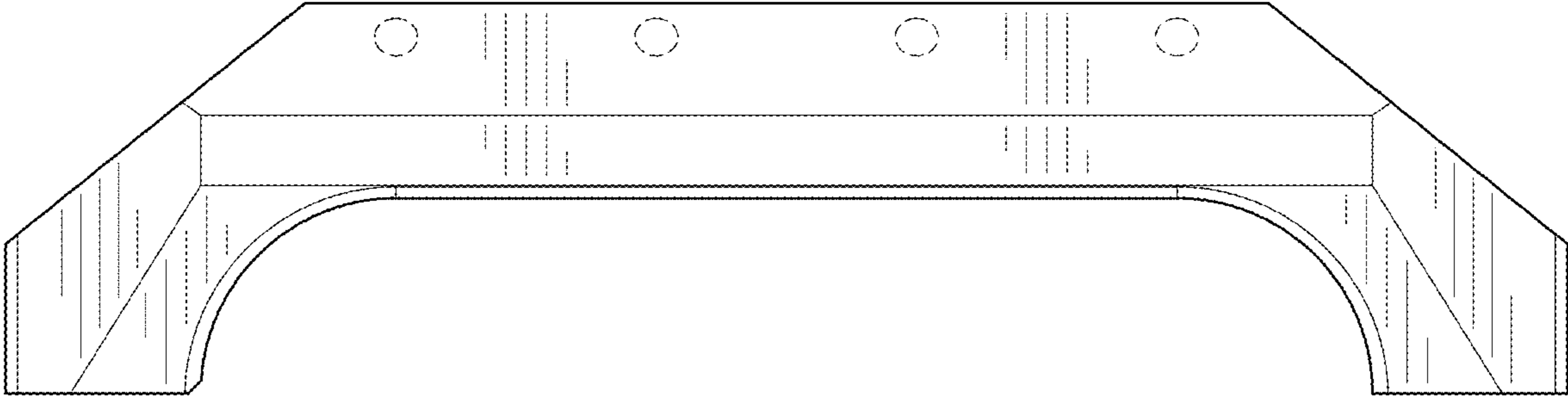


FIG. 2

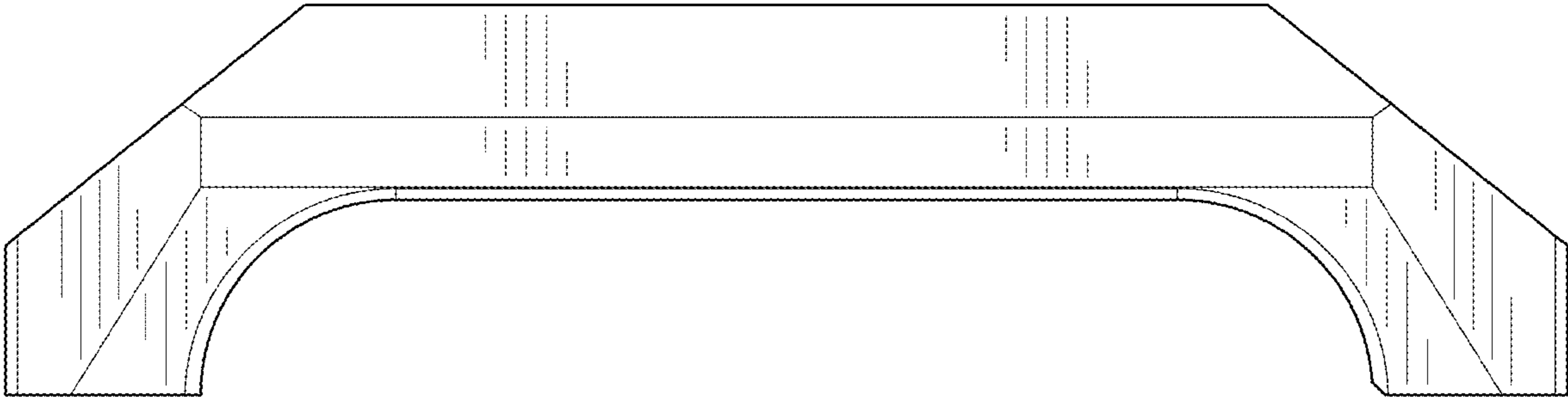


FIG. 3

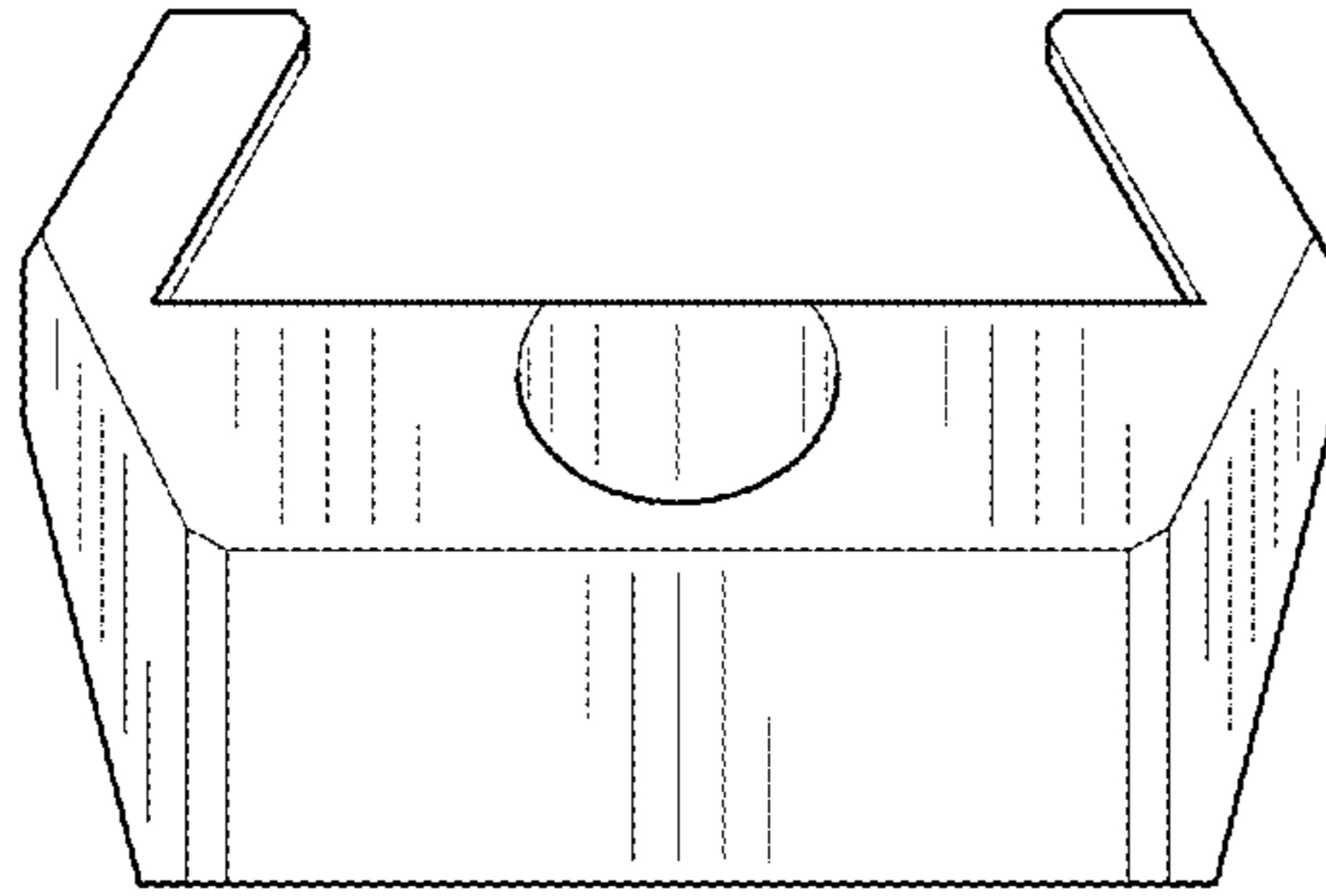


FIG. 4

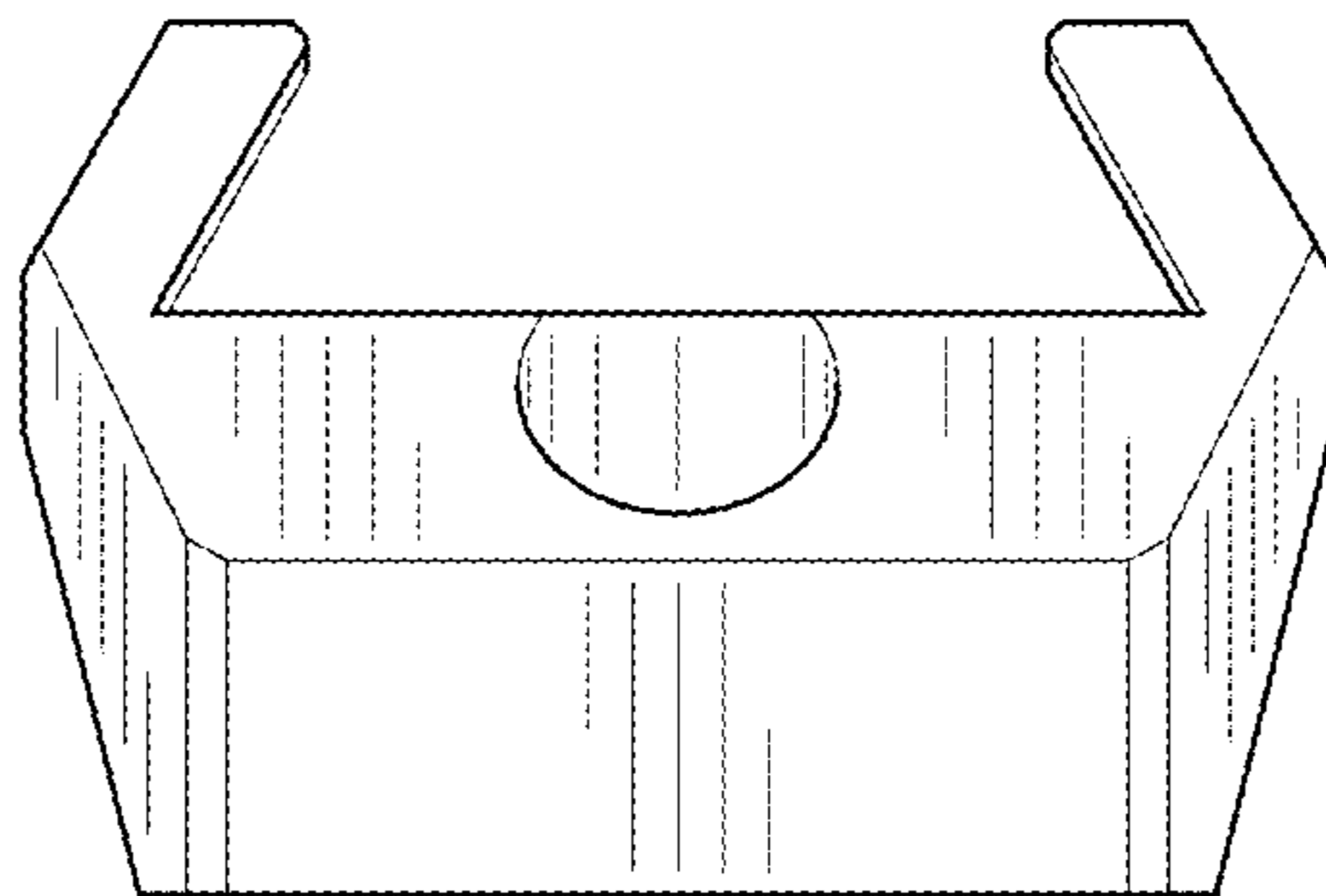


FIG. 5

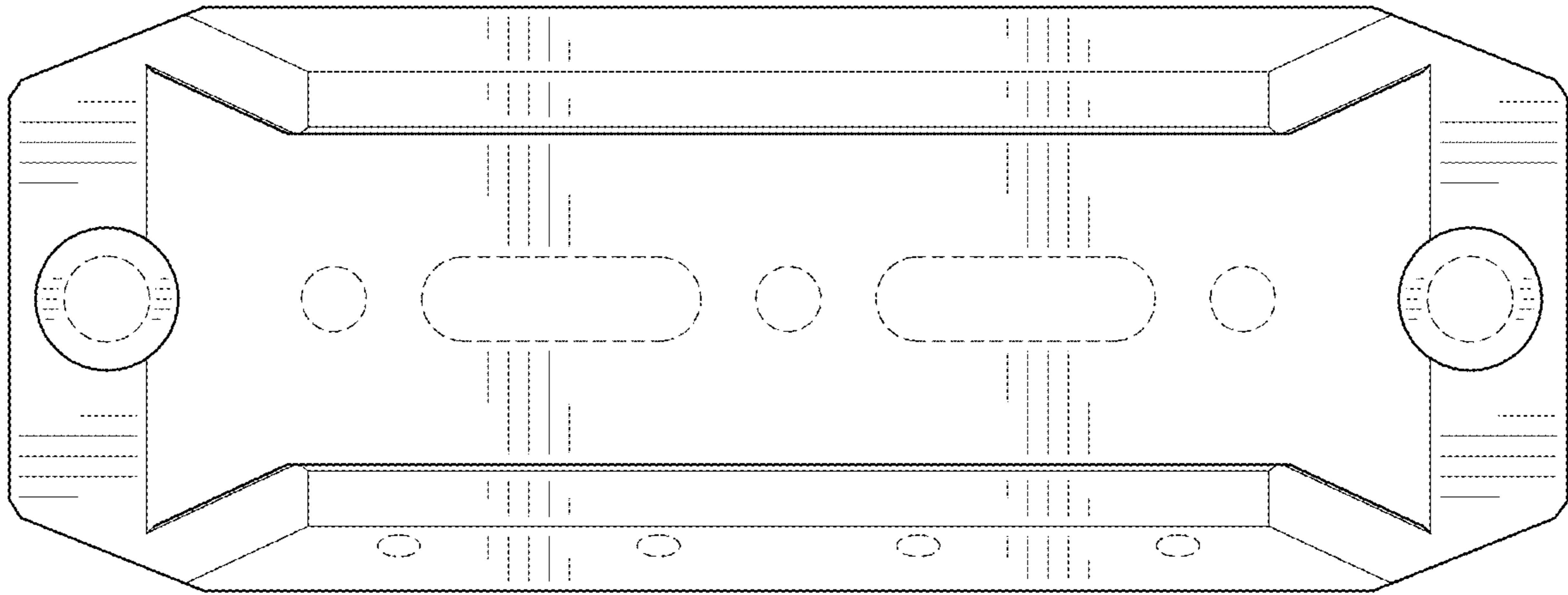


FIG. 6

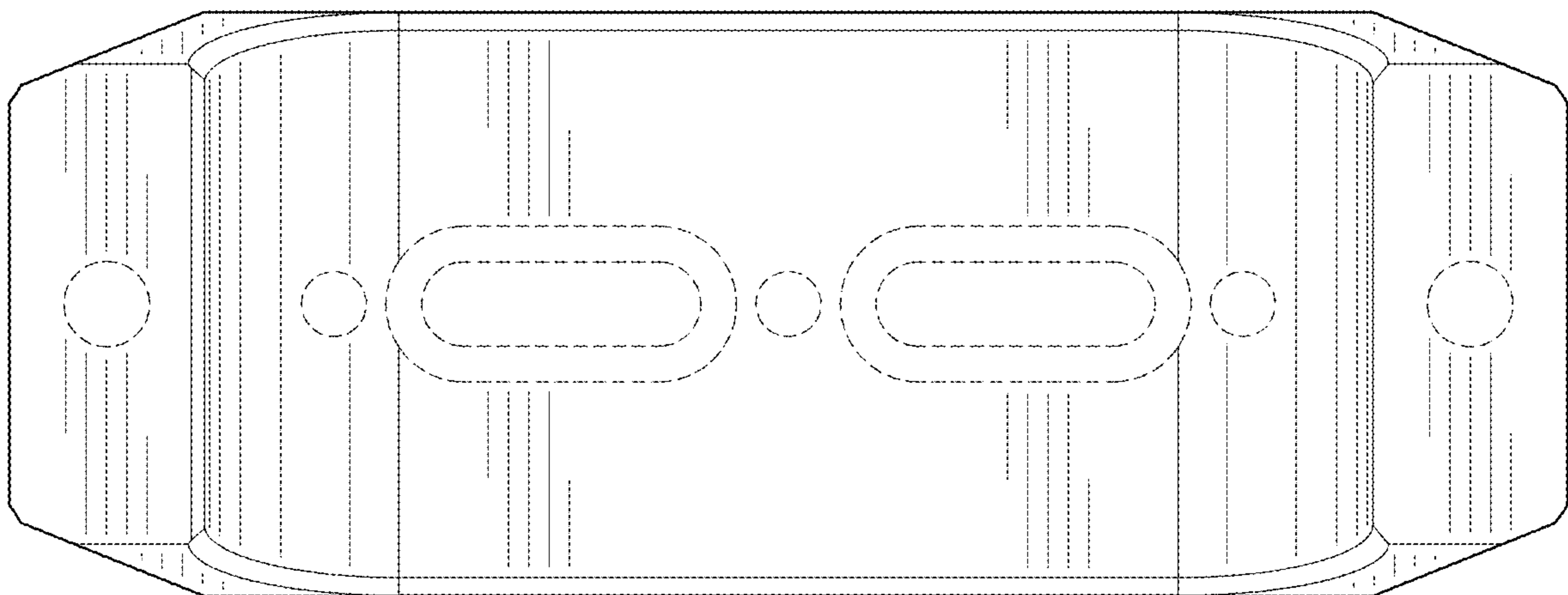


FIG. 7

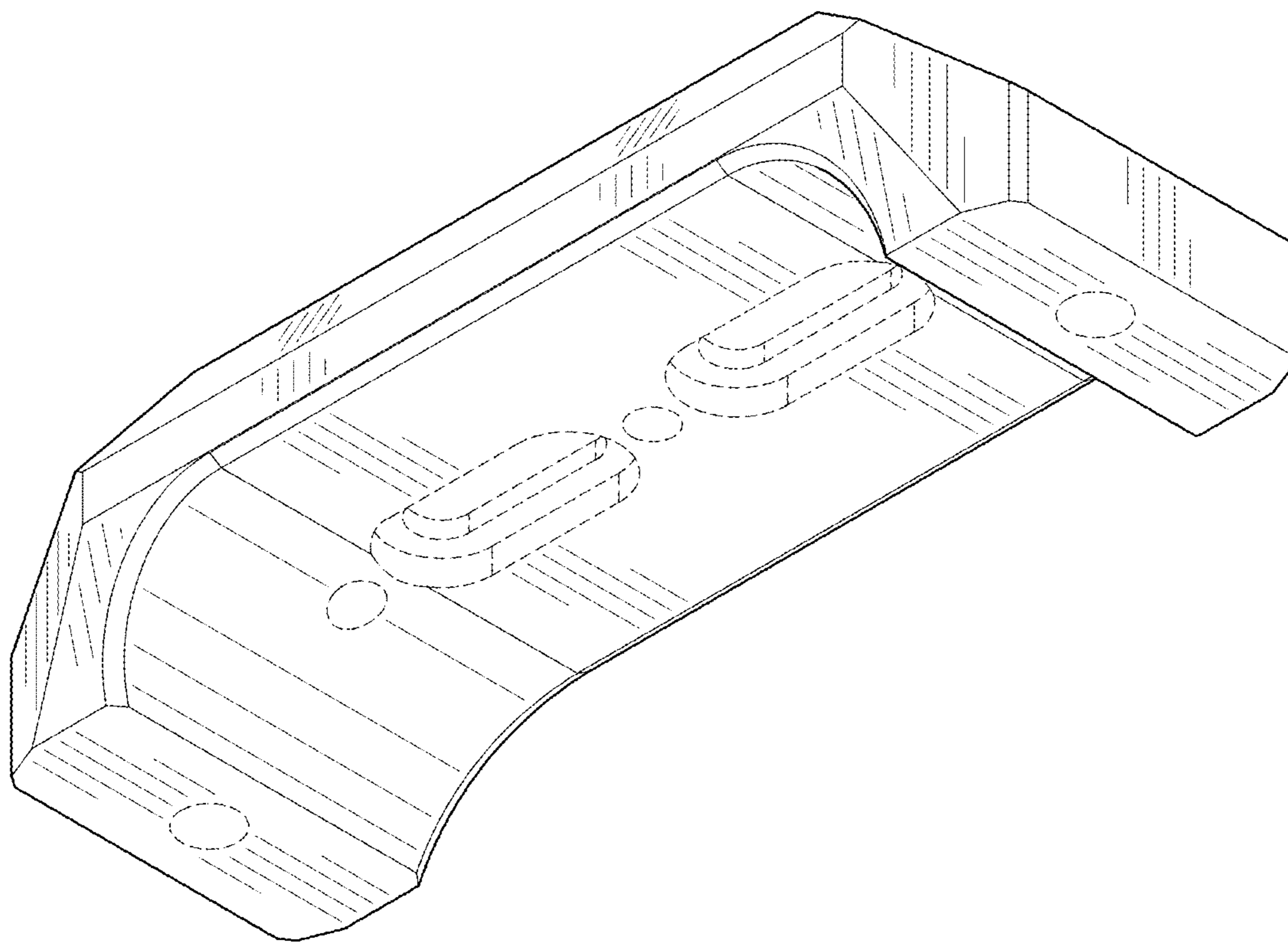


FIG. 8

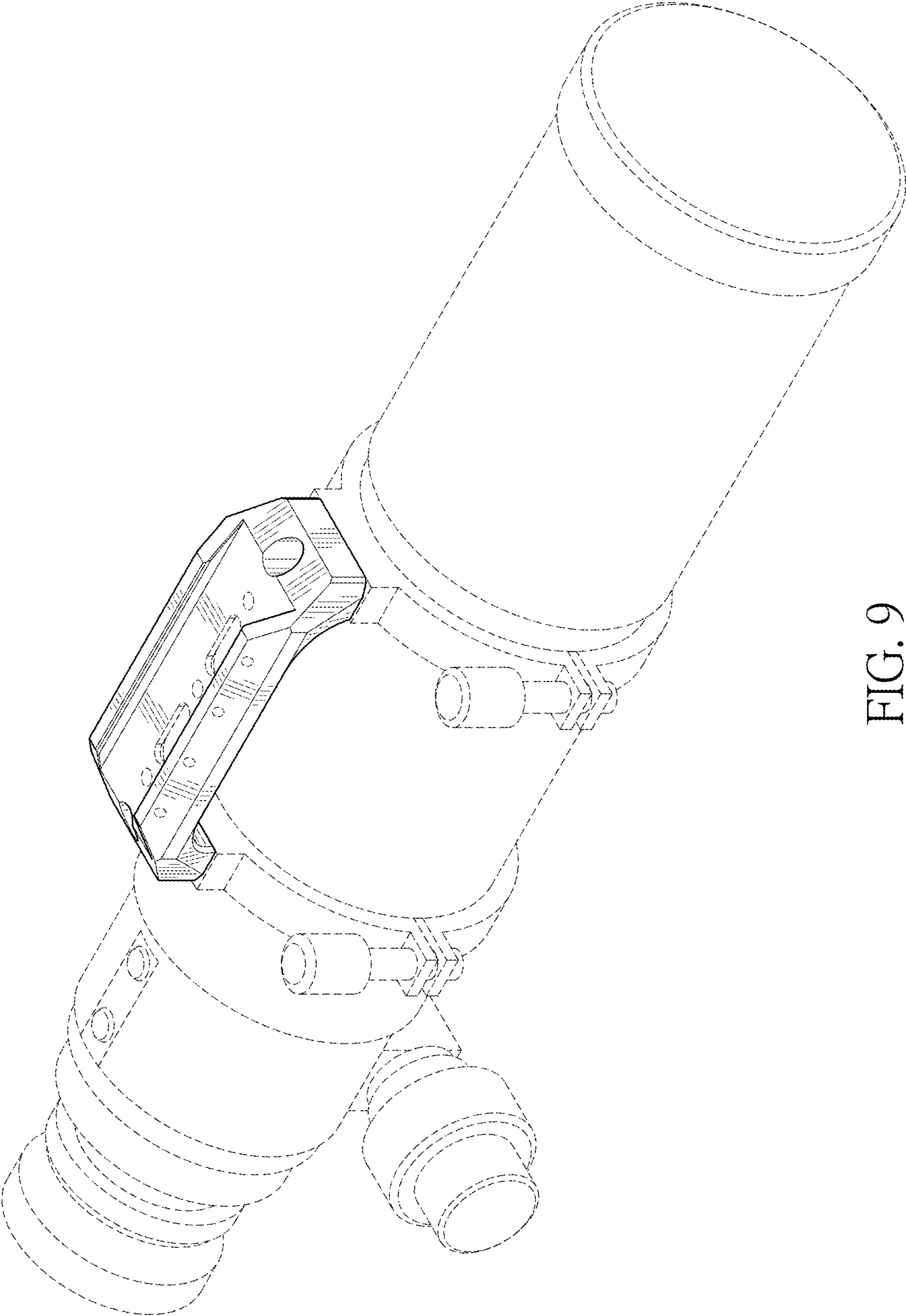


FIG. 9