



US00D905774S

(12) **United States Design Patent**
Inoue et al.

(10) **Patent No.:** **US D905,774 S**

(45) **Date of Patent:** **** Dec. 22, 2020**

- (54) **INDUSTRIAL ROBOT**
- (71) Applicant: **FANUC CORPORATION**, Yamanashi (JP)
- (72) Inventors: **Toshihiko Inoue**, Yamanashi (JP);
Tomoyuki Motokado, Yamanashi (JP);
Toshikatsu Kuroki, Yamanashi (JP)
- (73) Assignee: **FANUC CORPORATION**, Yamanashi (JP)

D334,581 S *	4/1993	Yoshikawa	D15/199
D344,279 S *	2/1994	Koyama	D15/199
D344,280 S *	2/1994	Koyama	D15/199
D410,477 S *	6/1999	Nihei	D15/199
D440,241 S *	4/2001	Kawahara	D15/199
D443,287 S *	6/2001	Kawahara	D15/199
D444,488 S *	7/2001	Selic	D15/199
D449,057 S *	10/2001	Selic	D15/199
D615,574 S *	5/2010	Liu	D15/199
D616,477 S *	5/2010	Long	D15/199
D616,909 S *	6/2010	Long	D15/199
D624,104 S *	9/2010	Miyake	D15/199
7,810,765 B2 *	10/2010	Burlot	H02G 3/0481 248/75
D629,030 S *	12/2010	Long	D15/199
D636,803 S *	4/2011	Nakagiri	D15/199
D650,820 S *	12/2011	Long	D15/199
D651,627 S *	1/2012	Long	D15/199
D678,378 S *	3/2013	Selic	D15/199
D681,708 S *	5/2013	Miyake	D15/199
8,434,387 B2 *	5/2013	Nakagiri	B25J 9/104 74/665 R

- (**) Term: **15 Years**
- (21) Appl. No.: **29/707,050**
- (22) Filed: **Sep. 25, 2019**

(30) **Foreign Application Priority Data**

Mar. 27, 2019 (JP) 2019-006531

- (51) **LOC (12) Cl.** **15-99**
- (52) **U.S. Cl.**
USPC **D15/199**
- (58) **Field of Classification Search**
USPC D15/122, 199; D21/578-583; D32/21;
D34/34
CPC B25J 9/046; B25J 9/042; B25J 9/06; H01L
21/67766
See application file for complete search history.

(56) **References Cited**

U.S. PATENT DOCUMENTS

D267,883 S *	2/1983	Susnjara	D15/122
D269,681 S *	7/1983	Morser	D15/122
D279,572 S *	7/1985	Yasuoka	D15/122
D287,368 S *	12/1986	Shibayama	D15/122
D293,449 S *	12/1987	Kaufmann	D15/122
D296,790 S *	7/1988	Tsuburaya	D15/122
D300,935 S *	5/1989	Maddock	D15/122
D307,282 S *	4/1990	Suica	D15/199

(Continued)

Primary Examiner — Patricia A Palasik

(74) *Attorney, Agent, or Firm* — Banner & Witcoff, Ltd.

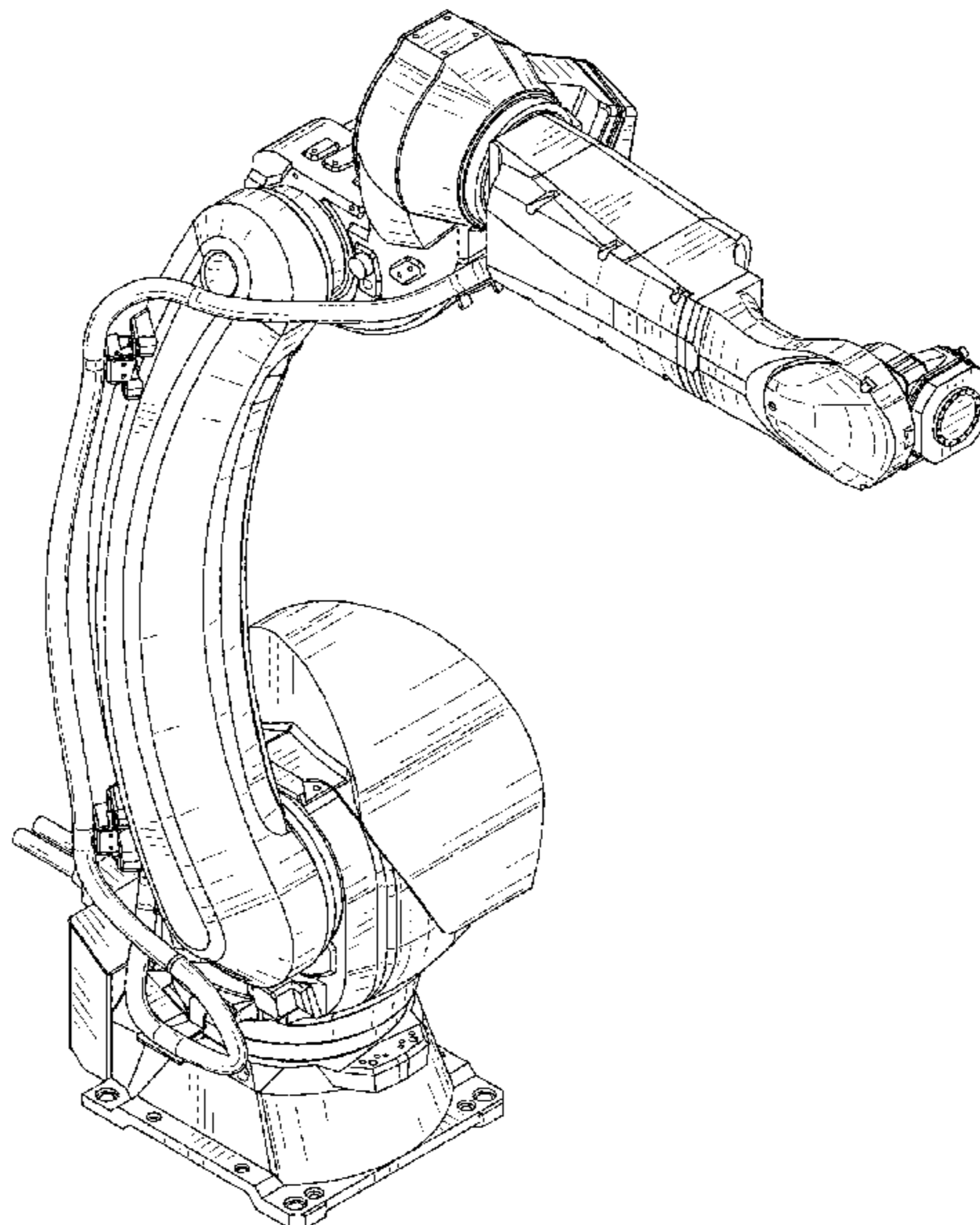
(57) **CLAIM**

The ornamental design for an industrial robot, as shown and described.

DESCRIPTION

FIG. 1 is a first perspective view of an industrial robot showing our new design;
 FIG. 2 is a second perspective view thereof;
 FIG. 3 is a front view thereof;
 FIG. 4 is a rear view thereof;
 FIG. 5 is a right side view thereof;
 FIG. 6 is a left side view thereof;
 FIG. 7 is a top plan thereof; and,
 FIG. 8 is a bottom plan view thereof.

1 Claim, 8 Drawing Sheets



(56)

References Cited

U.S. PATENT DOCUMENTS

D690,753	S *	10/2013	Liu	D15/199
D707,277	S *	6/2014	Olsson	D15/199
D713,436	S *	9/2014	Liu	D15/199
D766,348	S *	9/2016	Long	D15/199
D769,343	S *	10/2016	Bordegnoni	D15/199
D769,954	S *	10/2016	Kinoshita	D15/199
D778,971	S *	2/2017	Long	D15/199
D802,041	S *	11/2017	He	D15/199
D837,294	S *	1/2019	Ciniello	D19/59
D841,707	S *	2/2019	Yamamoto	D15/199
D852,863	S *	7/2019	Dosho	D15/199
D865,828	S *	11/2019	Bogart	D15/199
D870,169	S *	12/2019	Dosho	D15/199
D877,787	S *	3/2020	Kinoshita	D15/199
D881,251	S *	4/2020	Abe	D15/199
2005/0092122	A1 *	5/2005	Markert	B25J 19/0075 74/490.01
2005/0126327	A1 *	6/2005	Markert	B25J 19/0054 74/490.02
2008/0271561	A1 *	11/2008	Ohara	B25J 9/0018 74/490.01

* cited by examiner

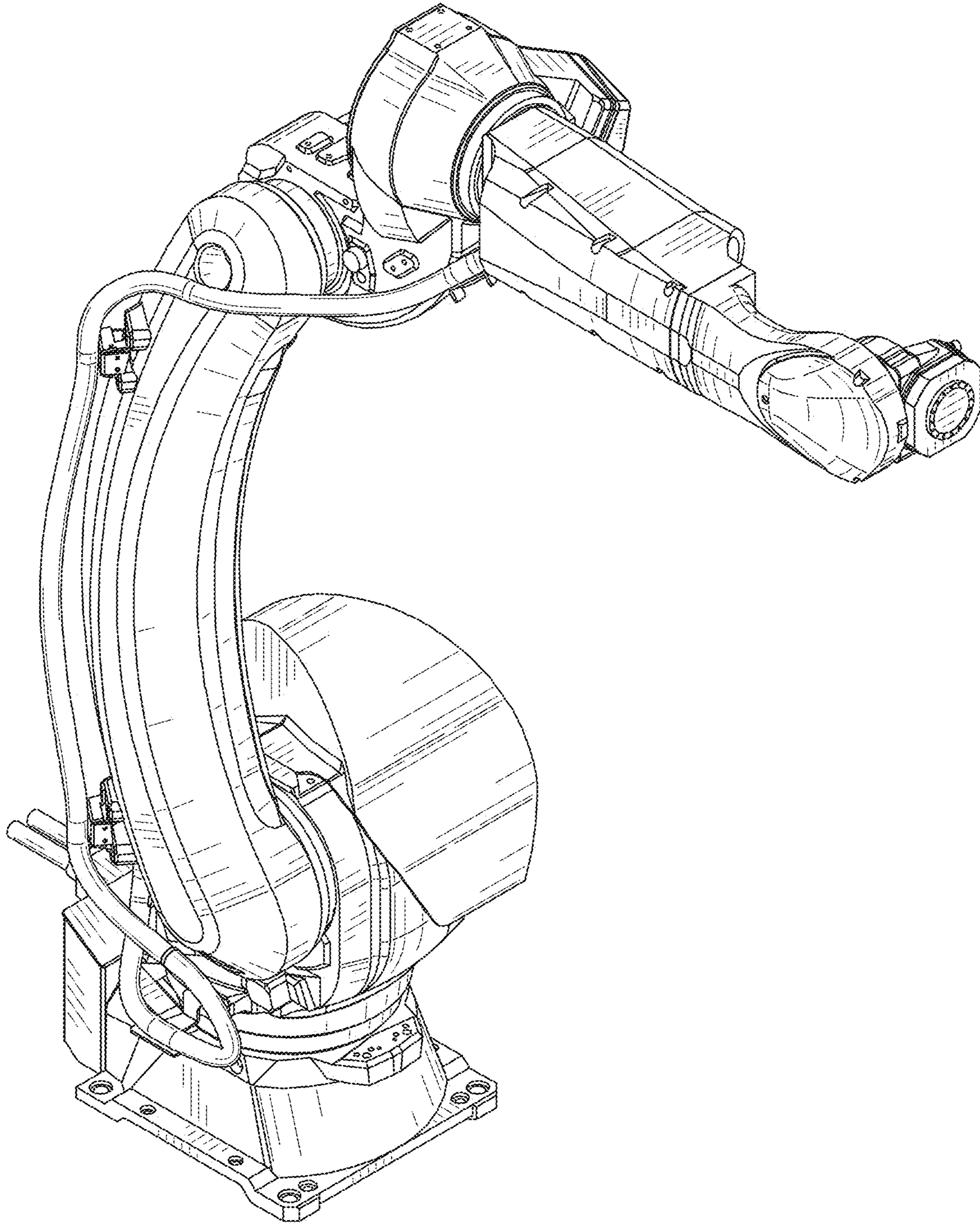


FIG. 1

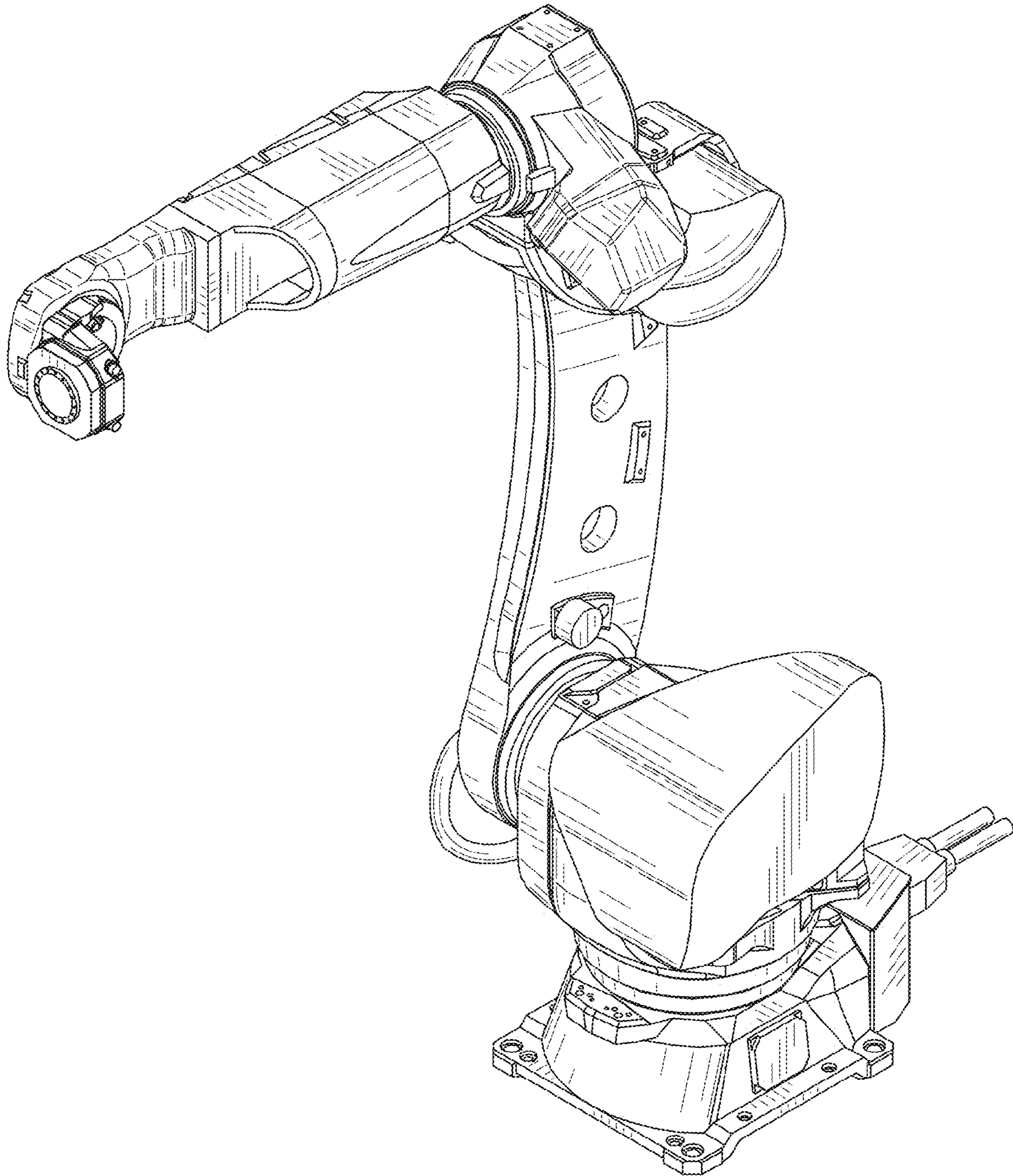


FIG. 2

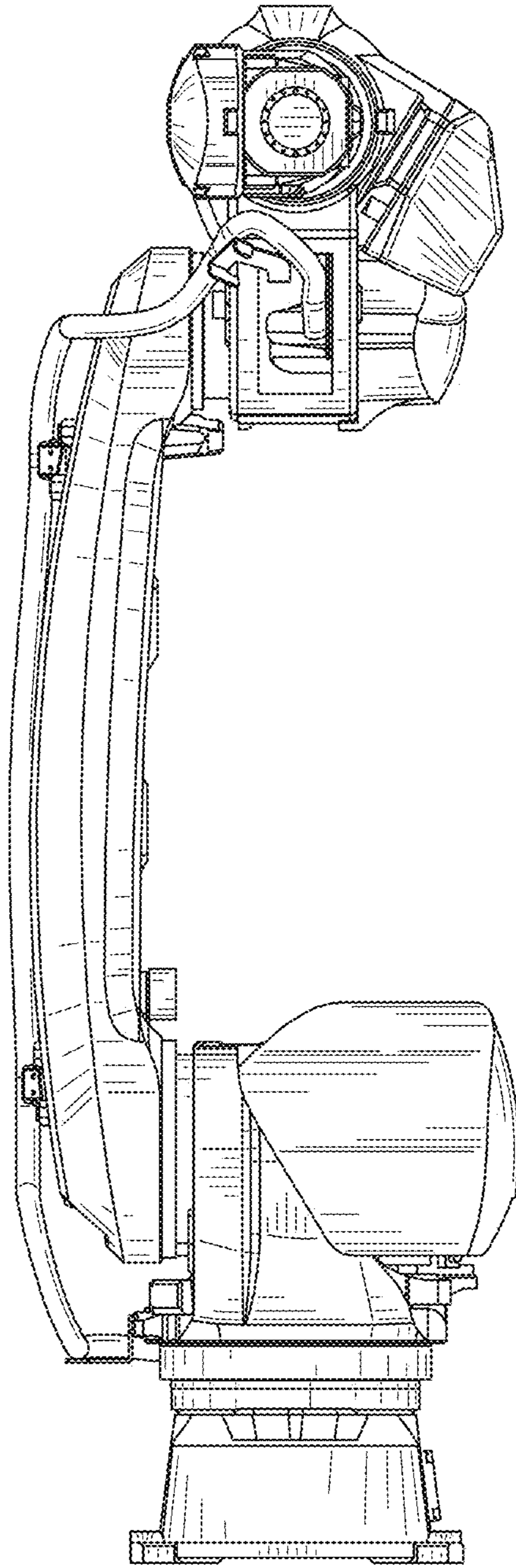


FIG. 3

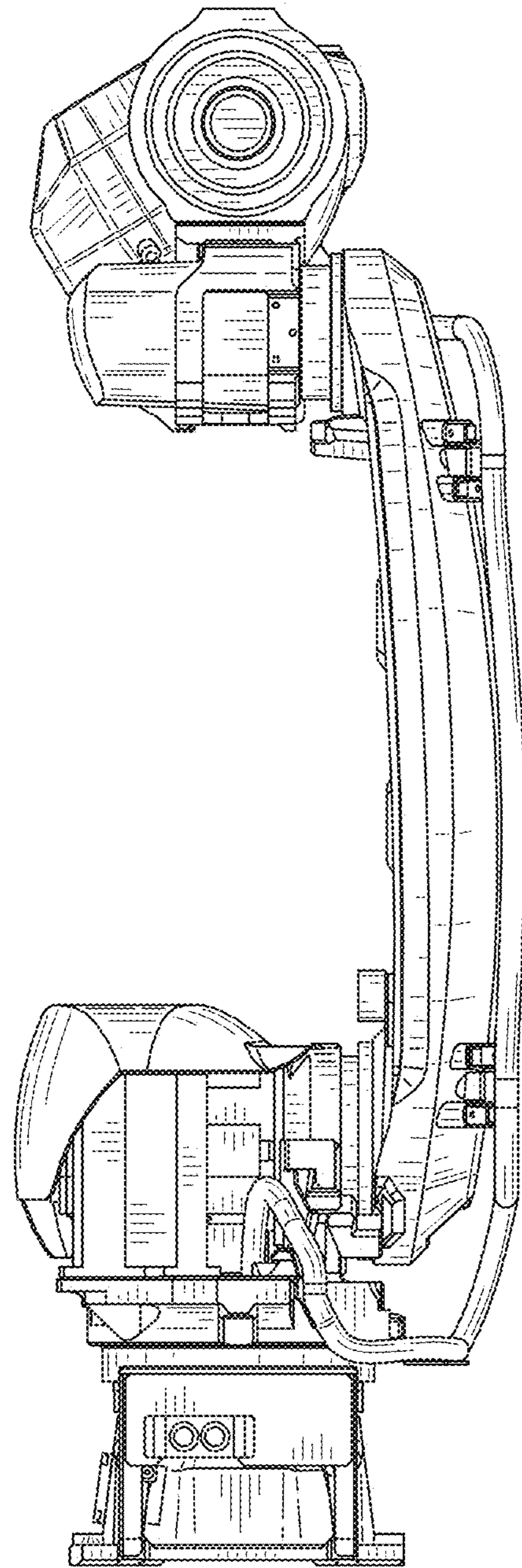


FIG. 4

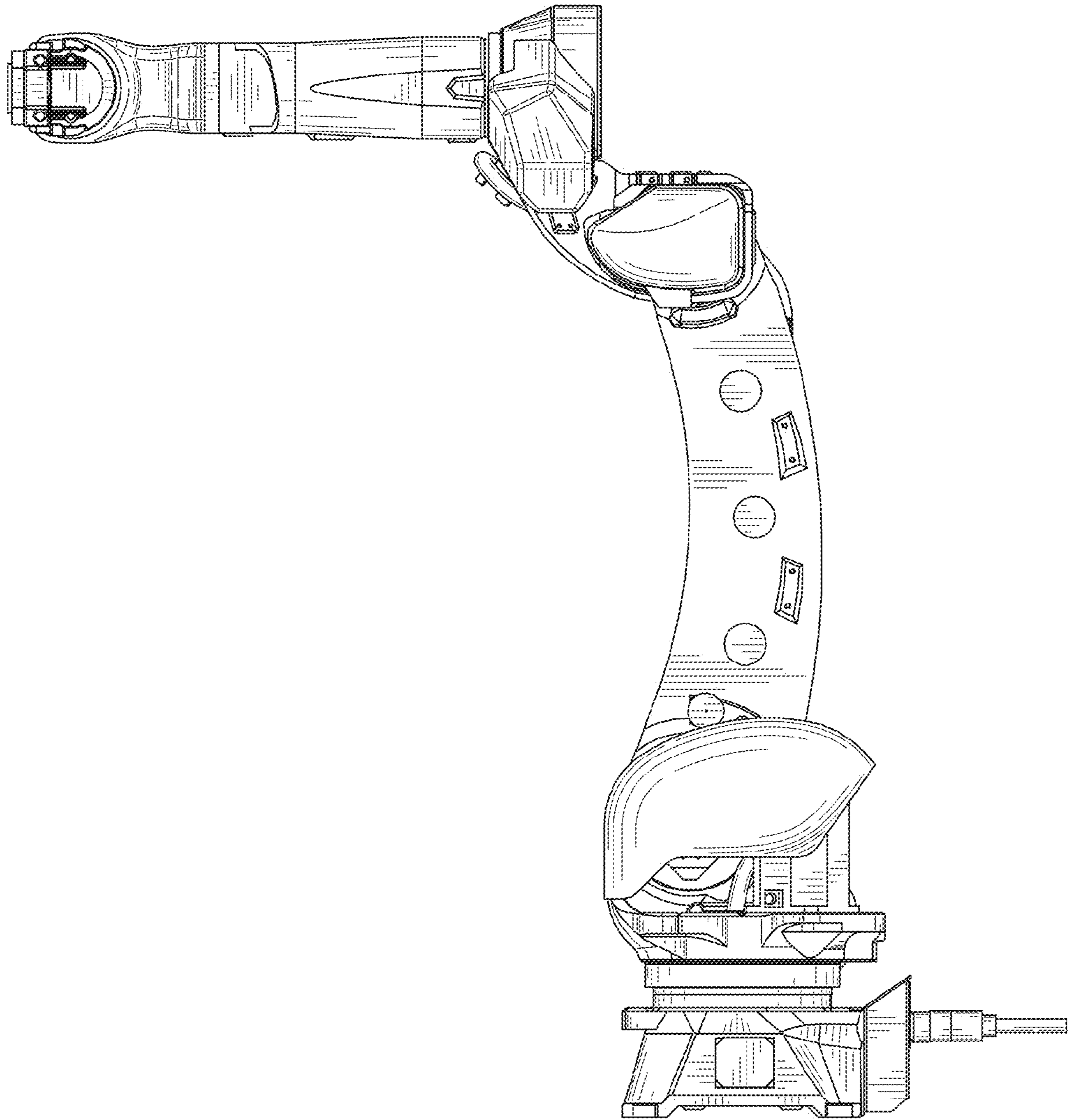


FIG. 5

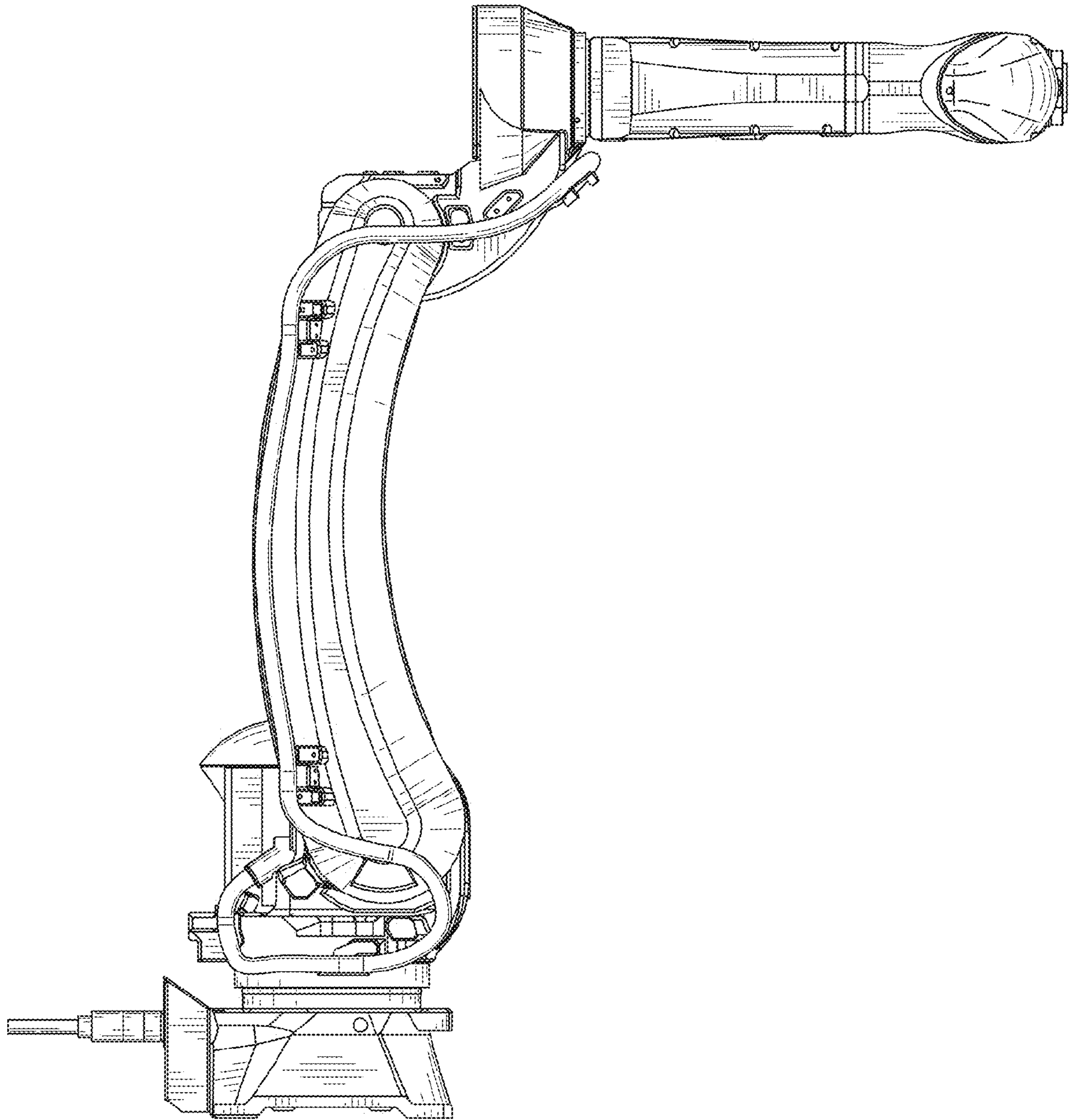


FIG. 6

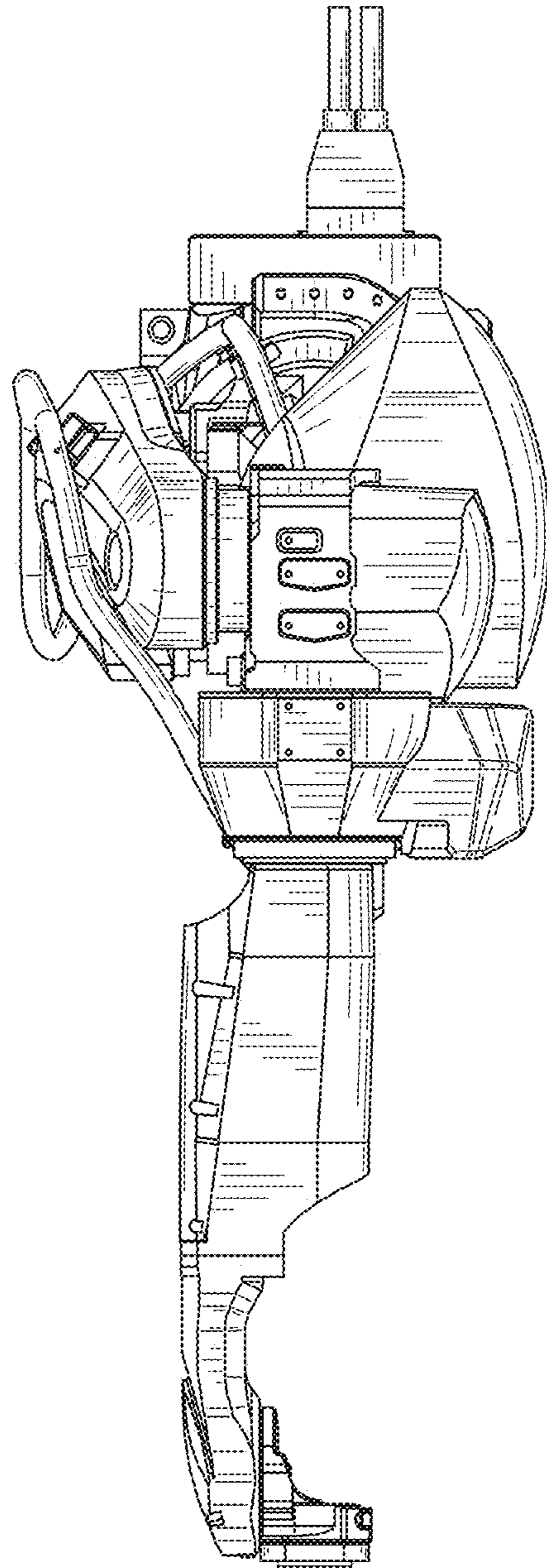


FIG. 7

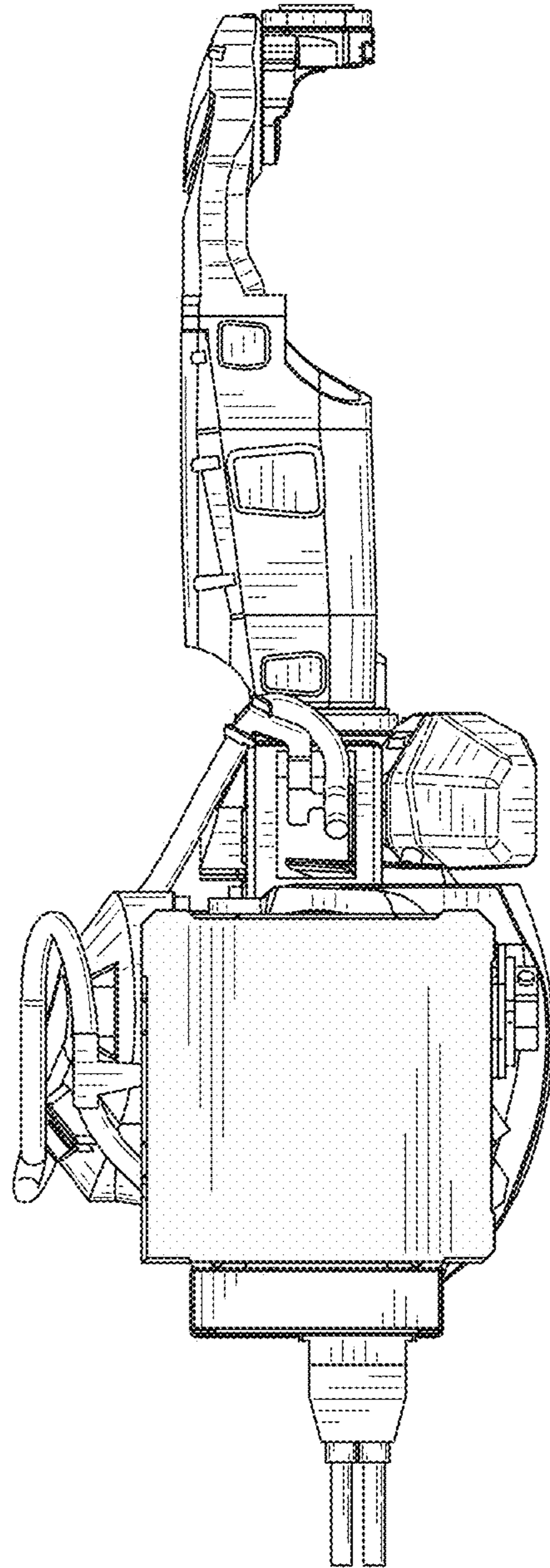


FIG. 8