



US00D905771S

(12) **United States Design Patent**
Suarez Iribarne et al.

(10) **Patent No.:** **US D905,771 S**

(45) **Date of Patent:** **** Dec. 22, 2020**

(54) **BOTTLE STOPPERING MACHINE**

(71) Applicant: **Noustique Perfumes, S.L.**, Barcelona (ES)

(72) Inventors: **Alvaro Suarez Iribarne**, Barcelona (ES); **Hugo Lasala Alonso**, Saragossa (ES); **Juan Ramon Soler Costa**, Saragossa (ES); **Jesus Ceamanos**, Saragossa (ES); **Aida Rodriguez Garcia**, Munich (DE)

(73) Assignee: **Noustique Perfumes, S.L.**, Barcelona (ES)

(**) Term: **15 Years**

(21) Appl. No.: **29/685,020**

(22) Filed: **Mar. 26, 2019**

(51) **LOC (12) Cl.** **15-07**

(52) **U.S. Cl.**

USPC **D15/145**

(58) **Field of Classification Search**

USPC D15/122, 145, 146, 79-91

CPC B65B 35/44; B65B 11/004; B65B 11/08;

B65B 11/10; B65B 17/025; B65B 21/24;

B65B 21/245; B65B 35/16; B65B 35/24;

B65B 35/26; B65B 35/405; B65B 3/10;

B65B 43/12; B65B 43/126; B65B 49/14;

B65B 53/063; B65B 55/10; B65B 63/08;

B65B 65/003; B65B 7/16

See application file for complete search history.

(56) **References Cited**

U.S. PATENT DOCUMENTS

D219,120 S * 11/1970 Karlson D15/145

D330,034 S * 10/1992 Edstrom D15/123

D361,581 S *	8/1995	Hirz	D15/145
D508,931 S *	8/2005	Griggs	D15/145
D543,222 S *	5/2007	Pester	D15/145
D618,257 S *	6/2010	Hanamure	D15/79
D731,568 S *	6/2015	Lee	D15/145
D732,309 S	6/2015	Lisbona Vives		
D747,118 S	1/2016	Lisbona Vives		
D810,151 S *	2/2018	Wang	D15/88
D813,574 S *	3/2018	Patton	D6/671.1
D826,996 S *	8/2018	Feng	D15/91
D886,163 S *	6/2020	Yao	D15/81

FOREIGN PATENT DOCUMENTS

CN	201430299023.8	4/2015
CN	201430299707.8	4/2015
EP	004497303-0001	11/2017
EP	D100854	5/2018

* cited by examiner

Primary Examiner — Khawaja Anwar

(57) **CLAIM**

The ornamental design for a bottle stoppering machine, as shown and described.

DESCRIPTION

FIG. 1 is a rear view, showing our new design;
 FIG. 2 is a side view thereof;
 FIG. 3 is a front view thereof;
 FIG. 4 is a bottom view;
 FIG. 5 is a top view thereof;
 FIG. 6 is a front perspective view thereof;
 FIG. 7 is a rear perspective view thereof;
 FIG. 8 is a front perspective view from a bottom angle thereof; and,
 FIG. 9 is a rear perspective view from a bottom angle.

1 Claim, 9 Drawing Sheets

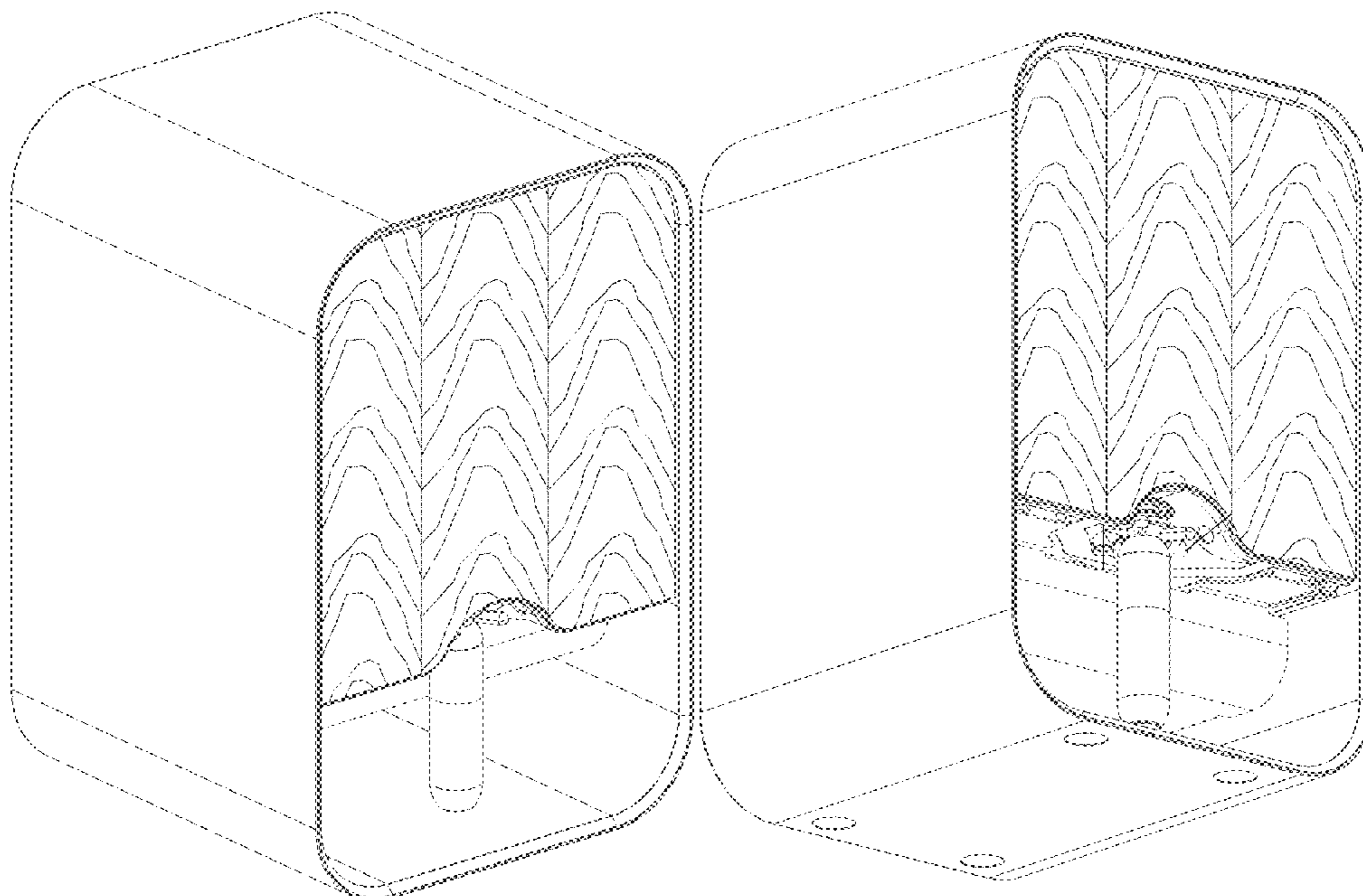


FIG. 1

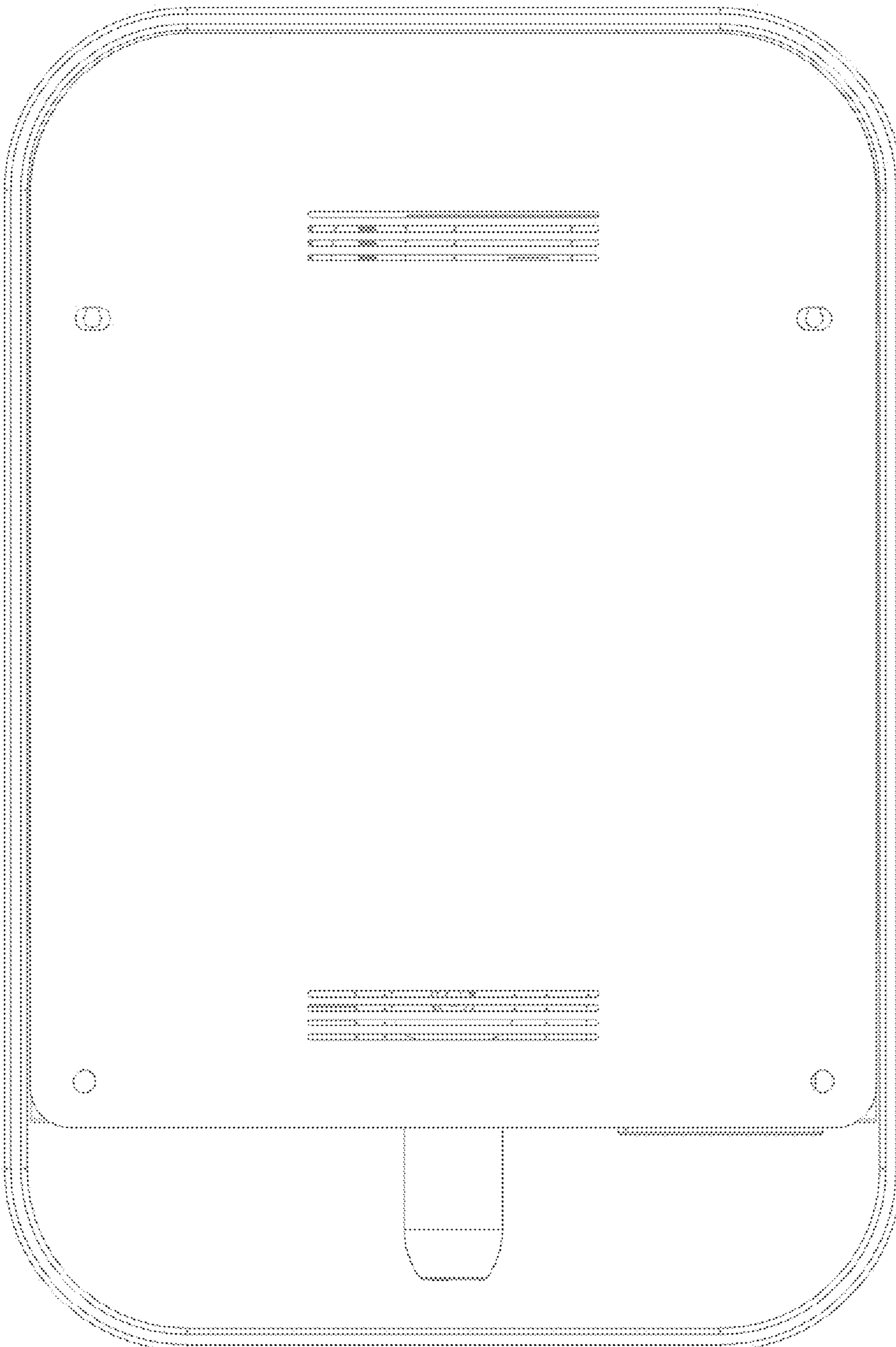


FIG. 2

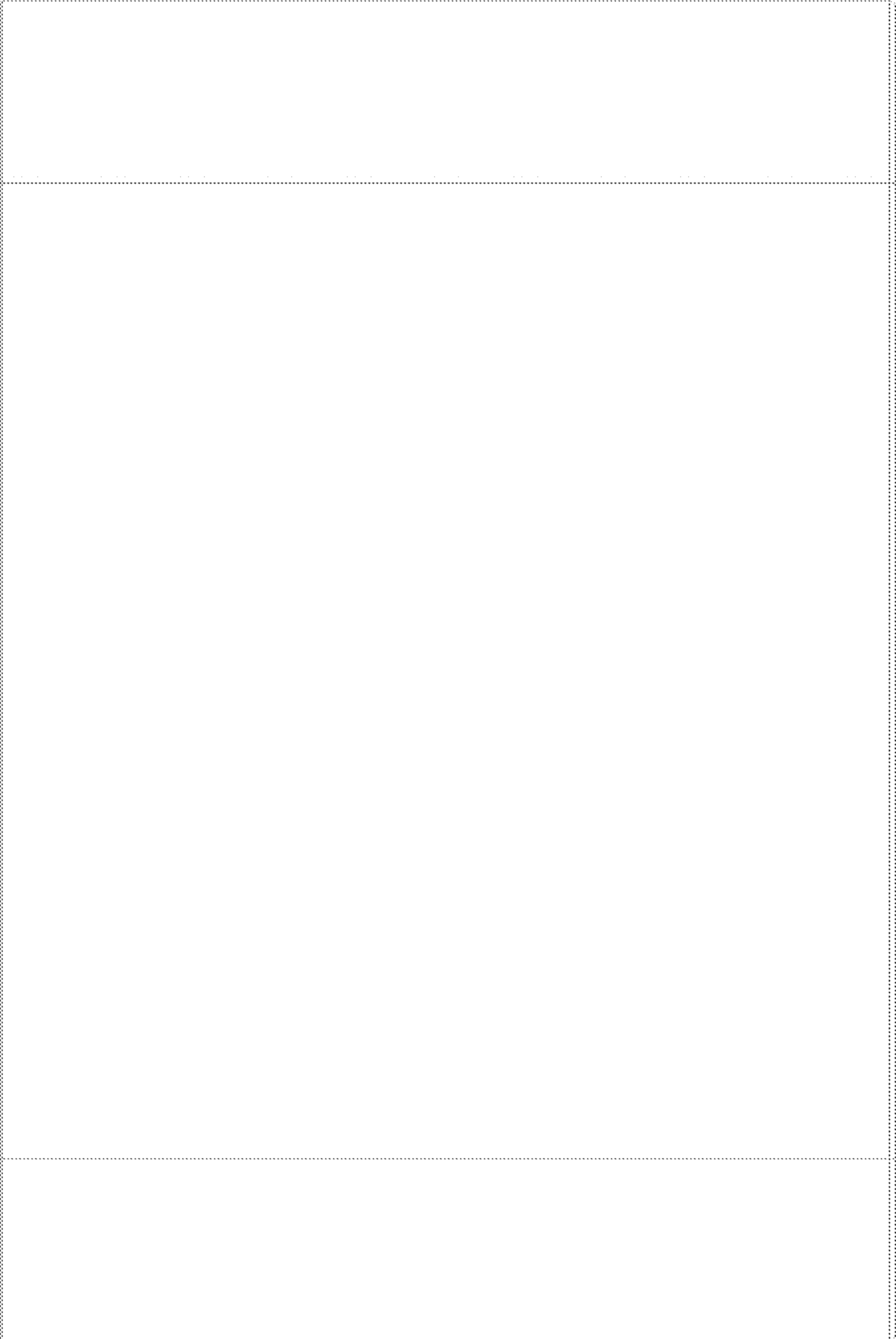


FIG. 3

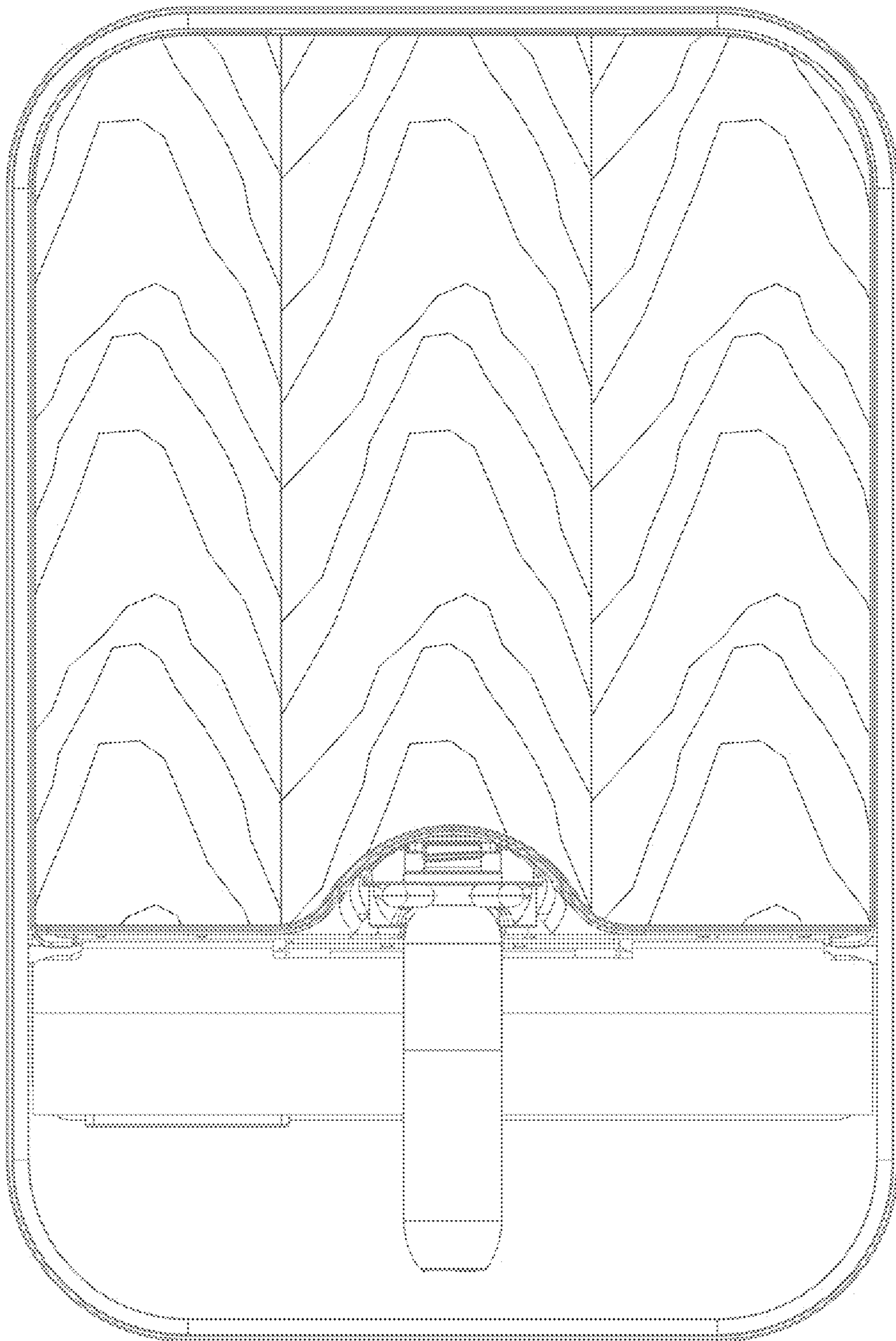


FIG. 4

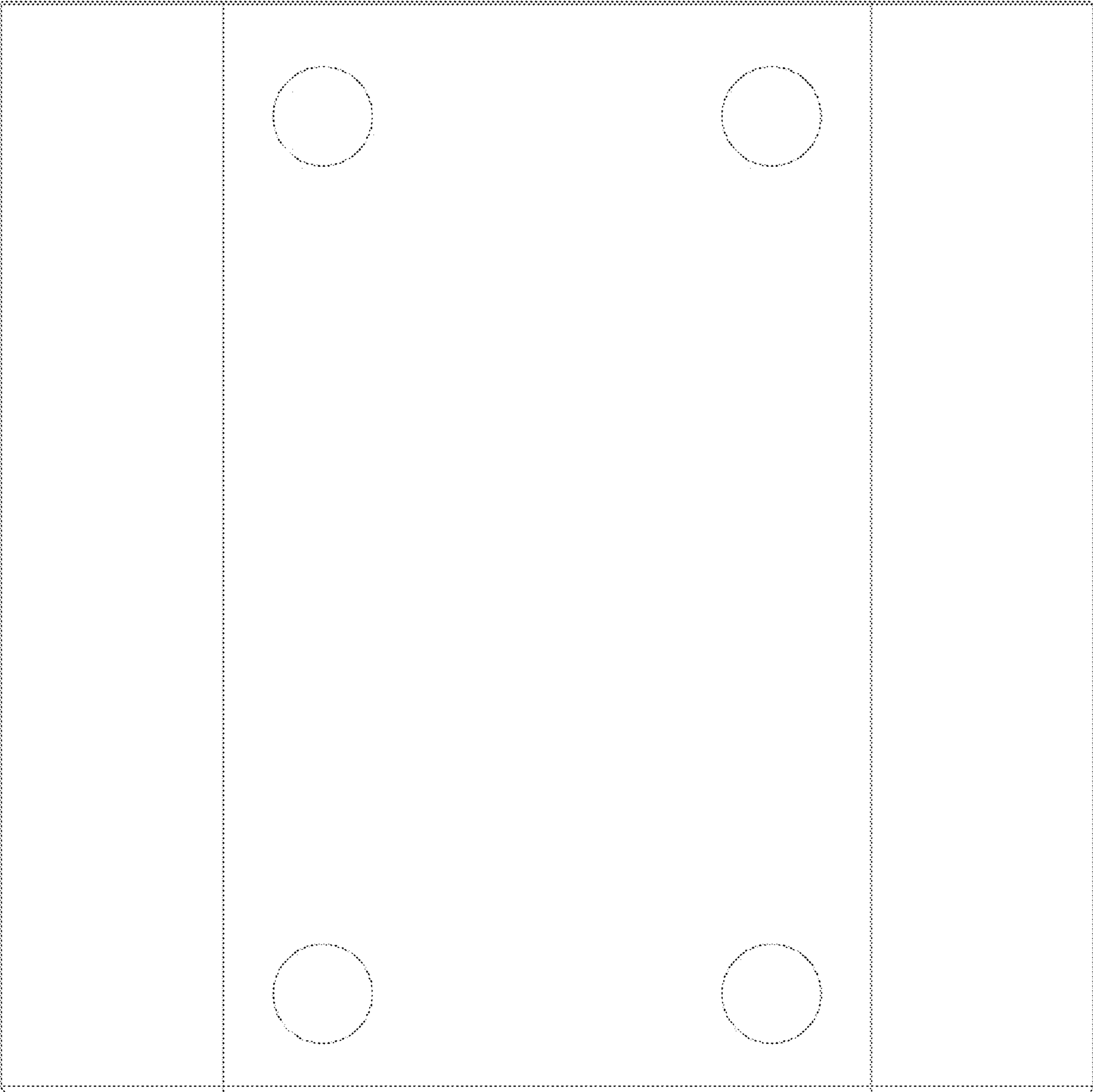


FIG. 5

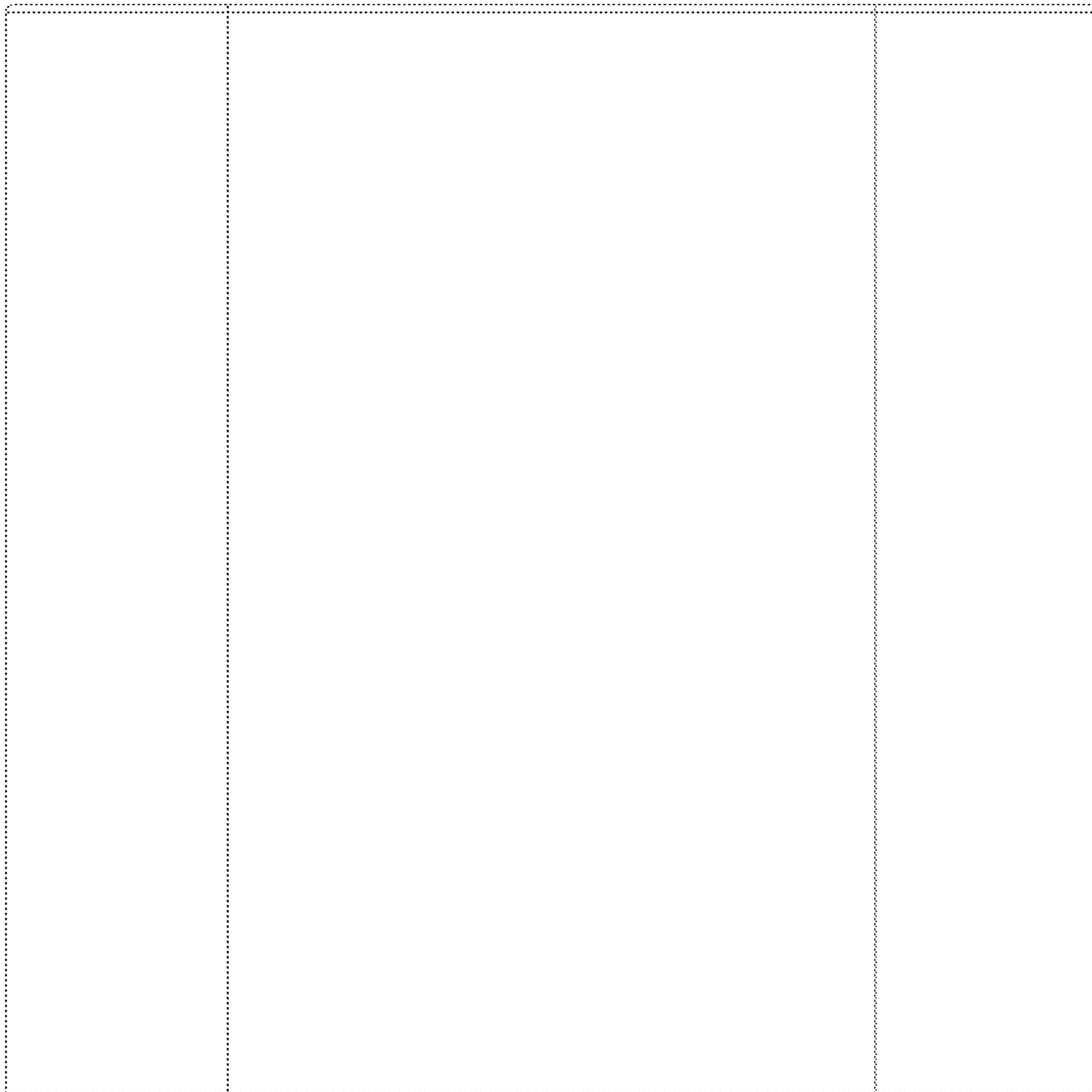


FIG. 6

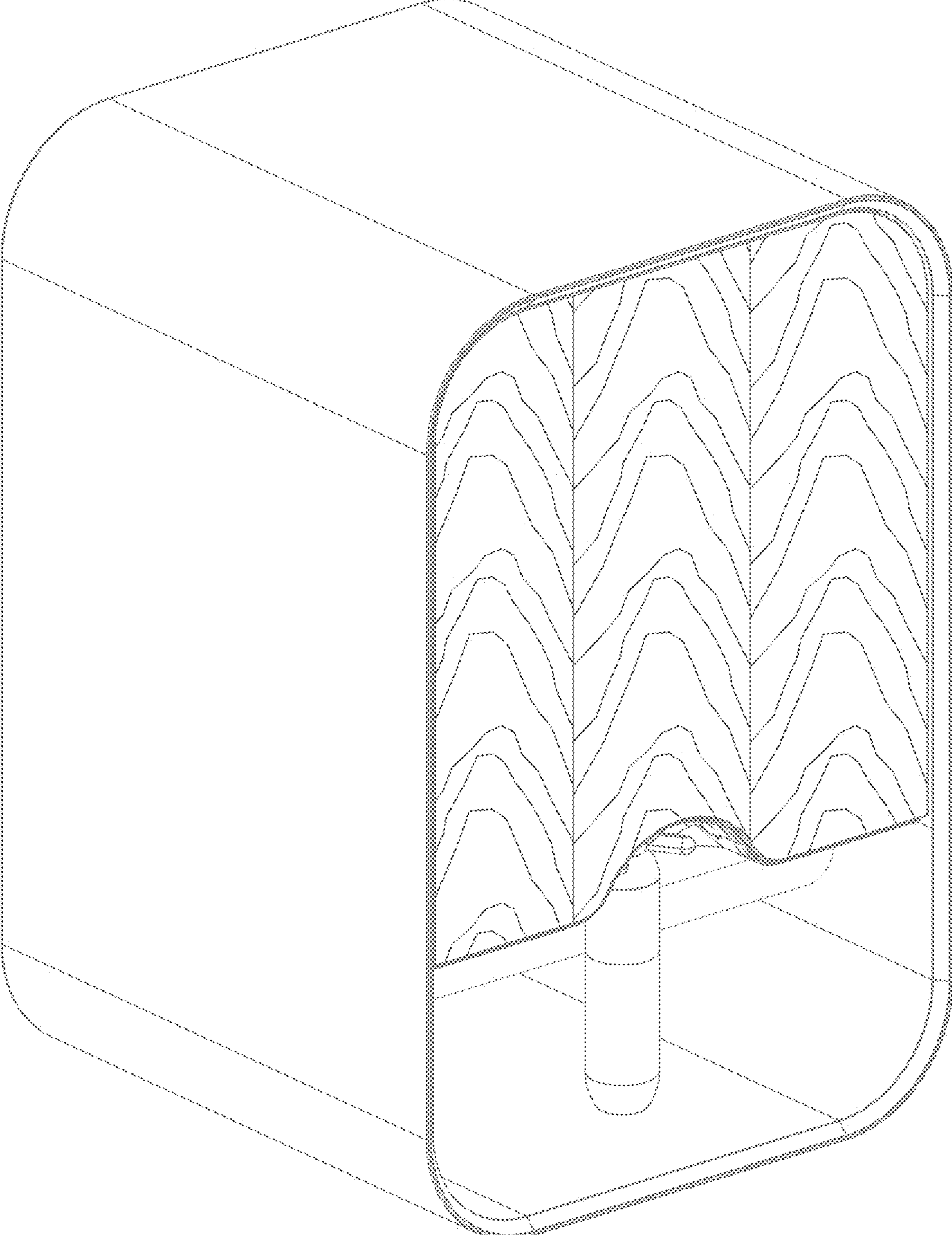


FIG. 7

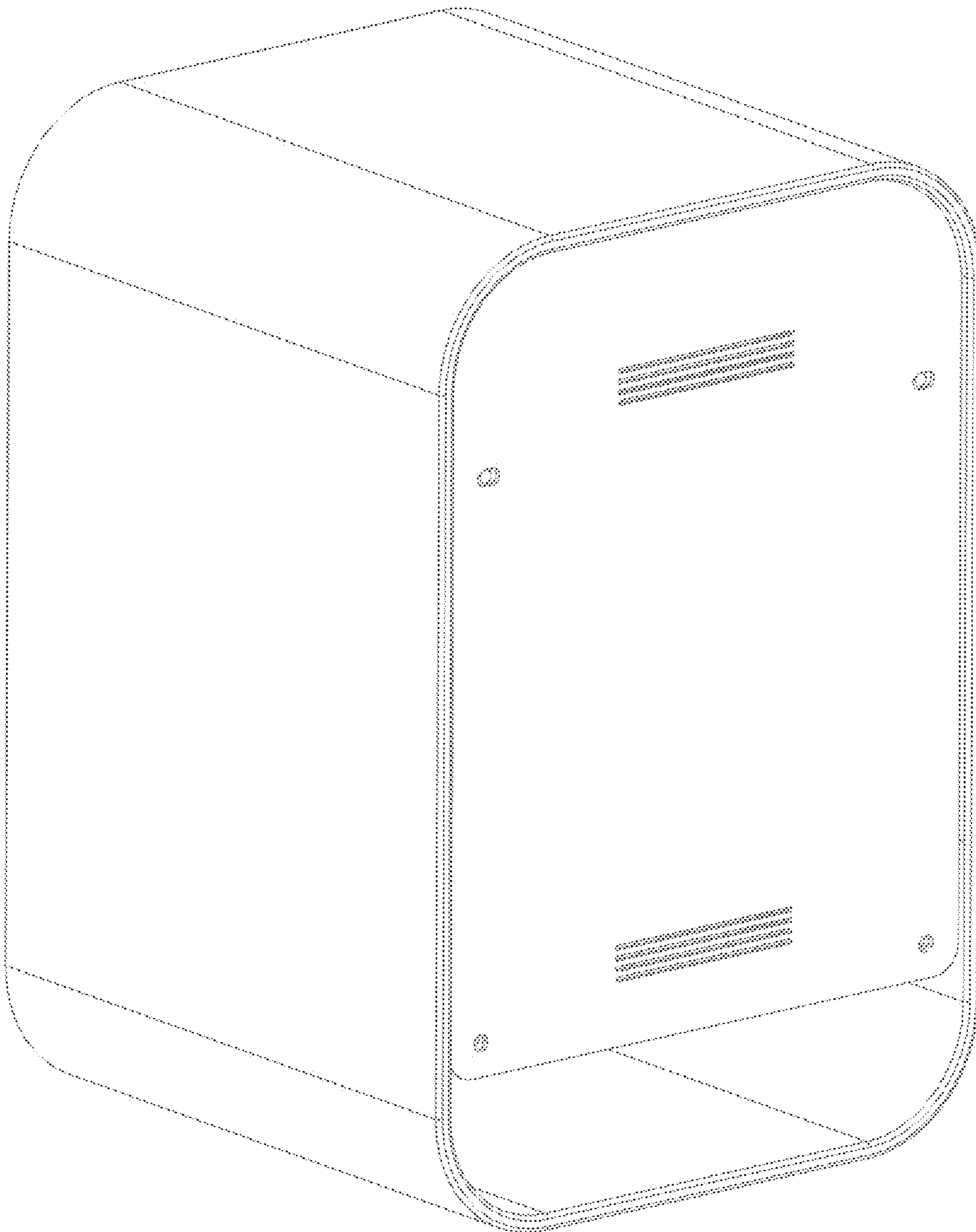


FIG. 8

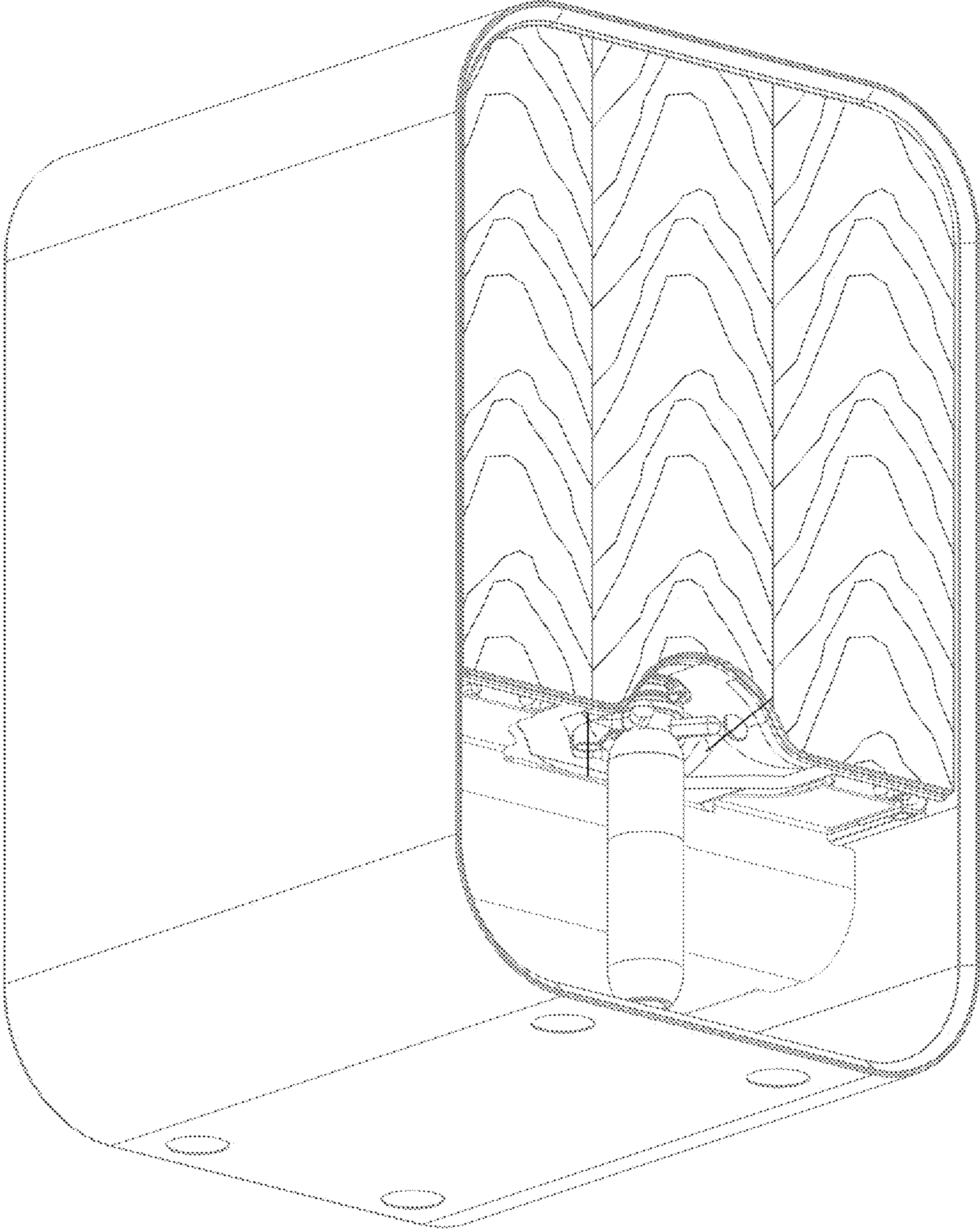


FIG. 9

