



US00D905769S

(12) **United States Design Patent** (10) **Patent No.:** **US D905,769 S**
Findling (45) **Date of Patent:** **** Dec. 22, 2020**

(54) **GRINDER**
(71) Applicant: **Keith Findling**, Salt Lake City, UT (US)
(72) Inventor: **Keith Findling**, Salt Lake City, UT (US)
(**) Term: **15 Years**
(21) Appl. No.: **29/663,094**
(22) Filed: **Sep. 12, 2018**
(51) **LOC (12) Cl.** **15-09**
(52) **U.S. Cl.**
USPC **D15/123**
(58) **Field of Classification Search**
USPC D7/590-600, 679; D15/123; D27/186, D27/187, 189, 194
CPC B24B 3/34; B24B 9/007; B24B 23/028; B24B 23/005; B24B 23/08; B24B 27/0084; B24B 27/04; B24B 27/02; B24B 49/006; B24B 49/12; B24B 49/183; B24B 55/00
See application file for complete search history.

D555,680 S * 11/2007 Popov D15/126
D722,331 S * 2/2015 Shinozaki D15/126
D743,457 S * 11/2015 Bodurov D15/126
D745,582 S * 12/2015 Malmqvist D15/123
D762,091 S * 7/2016 Grumbacher D7/679
D833,673 S * 11/2018 Booth D27/194
D853,802 S * 7/2019 Riding D7/679
D862,537 S * 10/2019 Larose D15/123
D874,886 S * 2/2020 Breneman D7/679
D876,883 S * 3/2020 Cheng D7/373
D886,541 S * 6/2020 Burns D7/629
2014/0138465 A1* 5/2014 Yen A47J 42/14 241/69
2016/0100715 A1* 4/2016 Staiano A47J 42/00 241/79
2016/0278430 A1* 9/2016 Shalom A47J 42/34

* cited by examiner

Primary Examiner — Patricia A Palasik
(74) *Attorney, Agent, or Firm* — David A. Jones; Nadesan Beck P.C.

(57) **CLAIM**

The ornamental design of a grinder, substantially as shown and described.

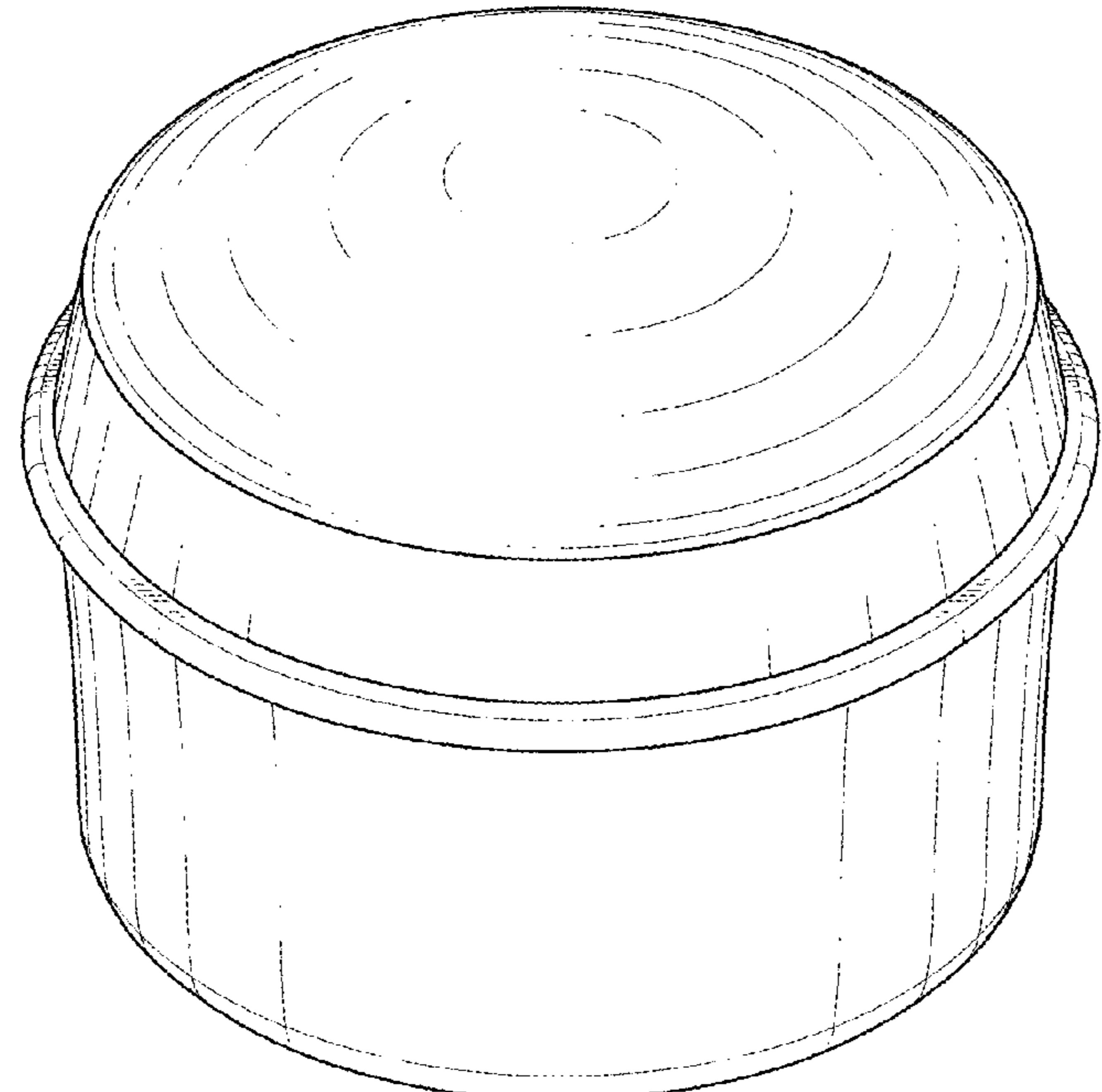
(56) **References Cited**

U.S. PATENT DOCUMENTS
3,121,982 A * 2/1964 Miller B24D 7/06 451/548
D305,871 S * 2/1990 Geiger D9/435
4,988,019 A * 1/1991 Dawes A47G 19/16 100/132
D328,696 S * 8/1992 Acheson D8/70
D442,609 S * 5/2001 Quantz D15/123
6,247,661 B1 * 6/2001 Chainani A47J 42/04 241/169.1
D474,378 S * 5/2003 Brandenburg D7/679

DESCRIPTION

FIG. 1 is a front perspective view of a grinder in accordance with the present invention;
FIG. 2 is a front view thereof;
a right view, a left view, and a rear view being identical to the front view shown in FIG. 2;
FIG. 3 is a top view thereof; and,
FIG. 4 is a bottom view thereof.
The article is not limited to the scale shown herein.

1 Claim, 2 Drawing Sheets



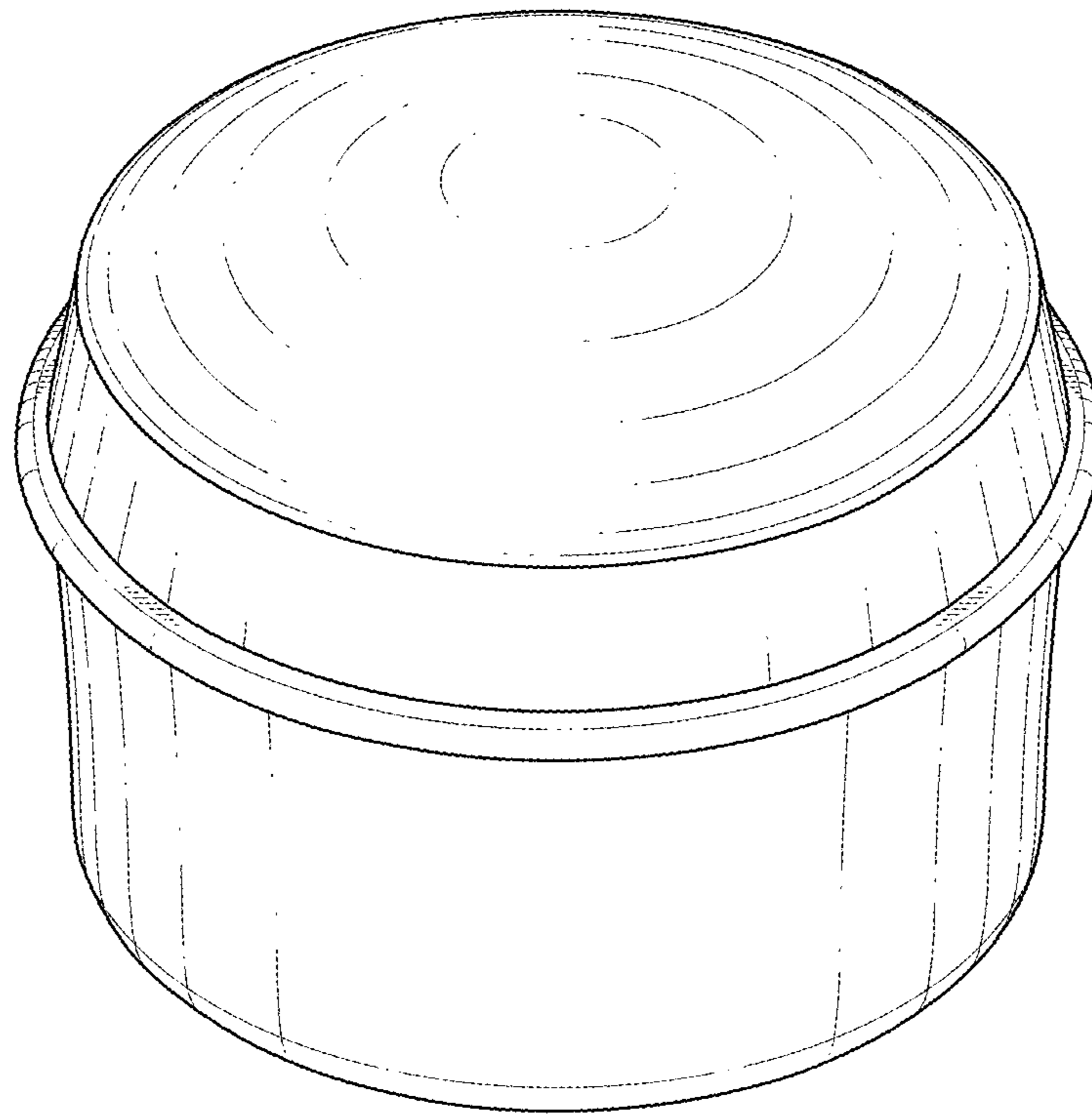


FIG. 1

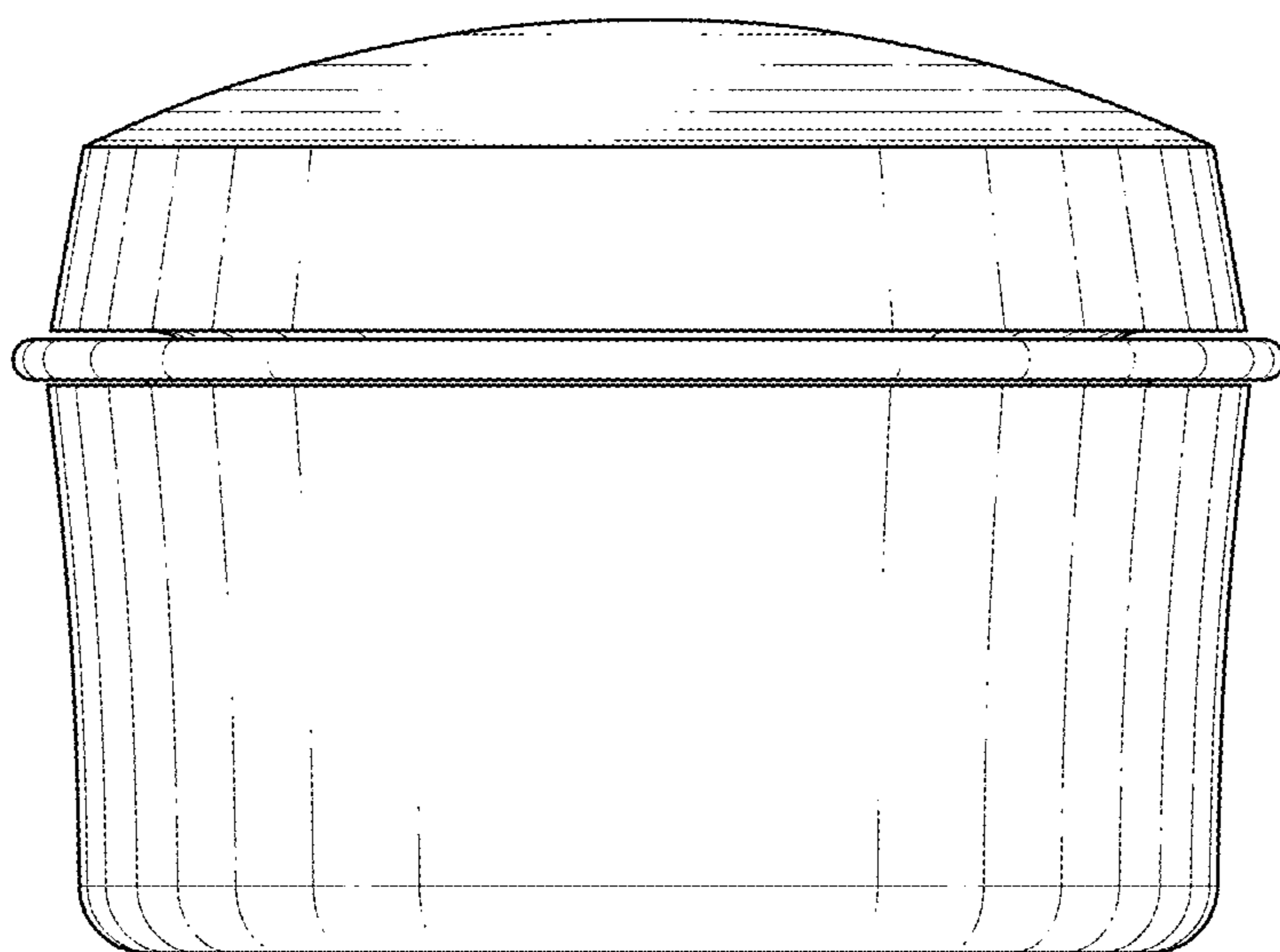


FIG. 2

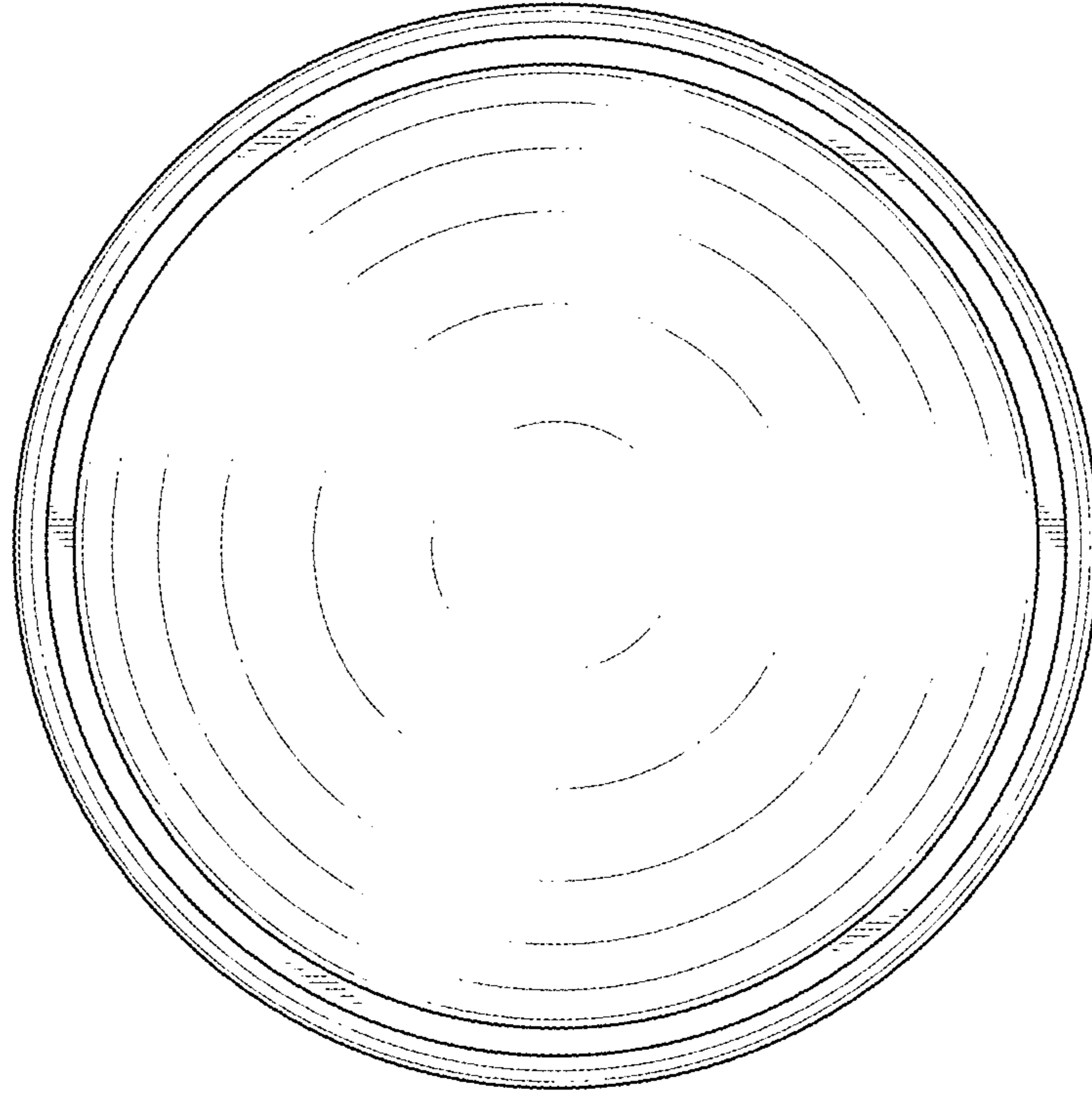


FIG. 3

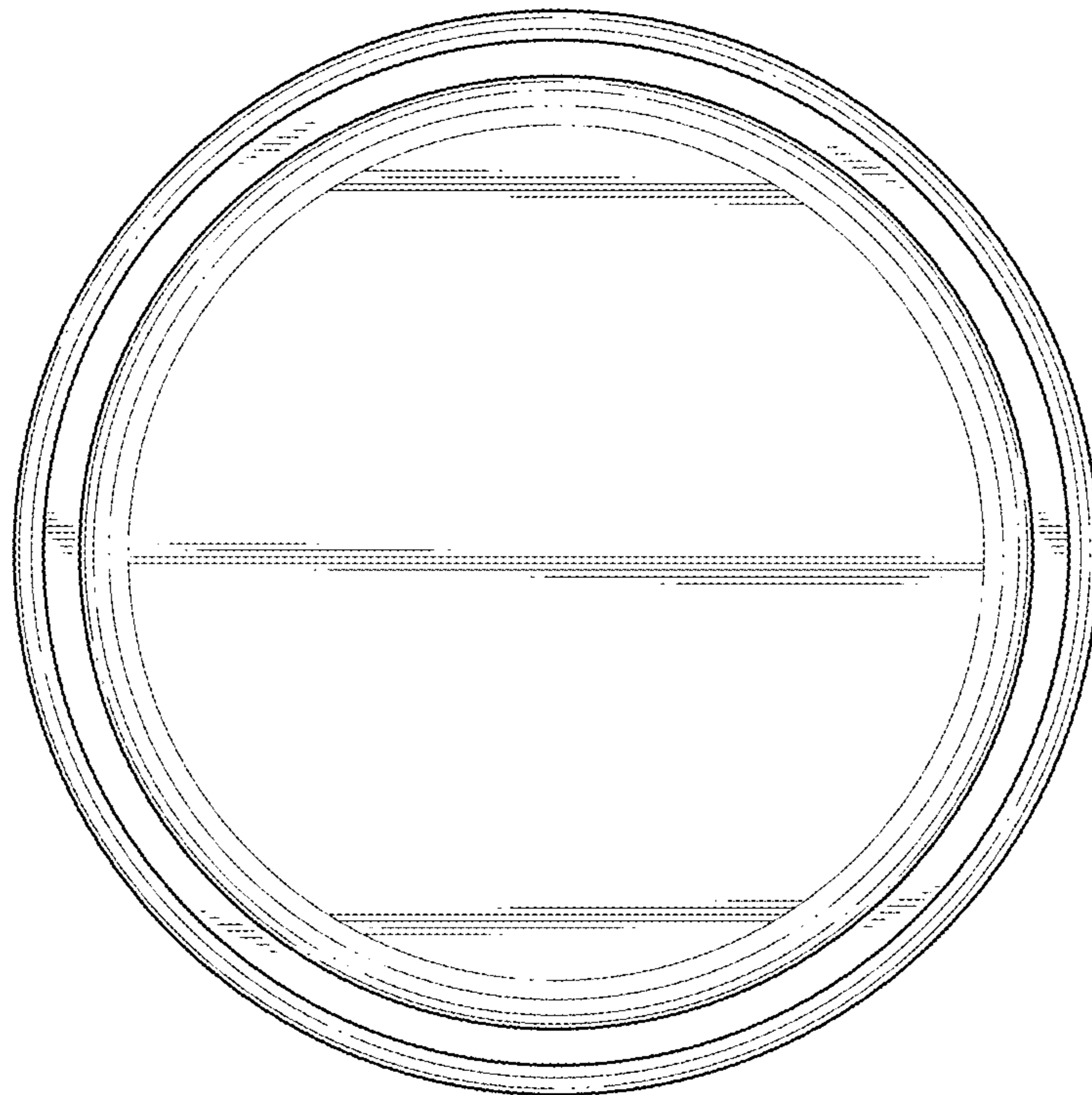


FIG. 4