



US00D905768S

(12) **United States Design Patent** (10) **Patent No.:** **US D905,768 S**  
**Montgomery** (45) **Date of Patent:** **\*\* Dec. 22, 2020**

(54) **3D PRINTER HOTEND**  
(71) Applicant: **Slice Engineering LLC**, Gainesville, FL (US)  
(72) Inventor: **Christopher Mark Montgomery**, Austin, TX (US)  
(73) Assignee: **Slice Engineering LLC**, Gainesville, FL (US)  
(\*\*) Term: **15 Years**

8,252,223 B2 8/2012 Medina et al.  
8,708,685 B2 4/2014 Hickerson et al.  
8,827,684 B1 9/2014 Schumacher et al.  
9,085,109 B2 7/2015 Schmehl et al.  
D739,885 S 9/2015 Lee et al.  
9,156,205 B2 10/2015 Mark et al.  
D749,157 S 2/2016 Seidenberg et al.  
9,314,970 B2 4/2016 Elsworth  
9,521,285 B1 12/2016 Lee et al.  
9,527,272 B2 12/2016 Steele  
10,007,253 B2 6/2018 Hotta et al.  
10,052,860 B2 8/2018 Chang et al.  
10,105,901 B2 10/2018 Mou et al.

(Continued)

(21) Appl. No.: **29/737,280**

FOREIGN PATENT DOCUMENTS

(22) Filed: **Jun. 8, 2020**

CN 204977465 U 1/2016  
CN 205439273 U 8/2016

(Continued)

**Related U.S. Application Data**

(63) Continuation of application No. 29/715,588, filed on Dec. 3, 2019, now Pat. No. Des. 888,114, which is a continuation of application No. 29/695,937, filed on Jun. 24, 2019, now Pat. No. Des. 875,794, which is a continuation of application No. 15/981,615, filed on May 16, 2018.

*Primary Examiner* — Patricia A Palasik

(74) *Attorney, Agent, or Firm* — McAndrews, Held & Malloy, Ltd.

(51) **LOC (12) Cl.** ..... **15-09**

(57) **CLAIM**

The ornamental design for a 3D printer hotend, as shown and described.

(52) **U.S. Cl.**

**DESCRIPTION**

USPC ..... **D15/122**

(58) **Field of Classification Search**

USPC ..... D8/6, 7, 14, 19, 50, 54, 55, 59;  
D15/122, 135, 138, 199  
CPC ... B29C 59/026; B29C 64/106; B29C 64/112;  
B29C 64/209; B29C 64/232; B29C  
64/386; B29C 64/393; B33Y 30/00;  
B33Y 30/02

See application file for complete search history.

FIG. 1 is a front-top perspective view of a 3D printer hotend showing my new design;  
FIG. 2 is a front elevation view thereof;  
FIG. 3 is a rear elevation view thereof;  
FIG. 4 is a right side elevation view thereof;  
FIG. 5 is a left side elevation view thereof;  
FIG. 6 is a top plan view thereof;  
FIG. 7 is a bottom plan view thereof; and,  
FIG. 8 is a rear-bottom perspective view thereof.

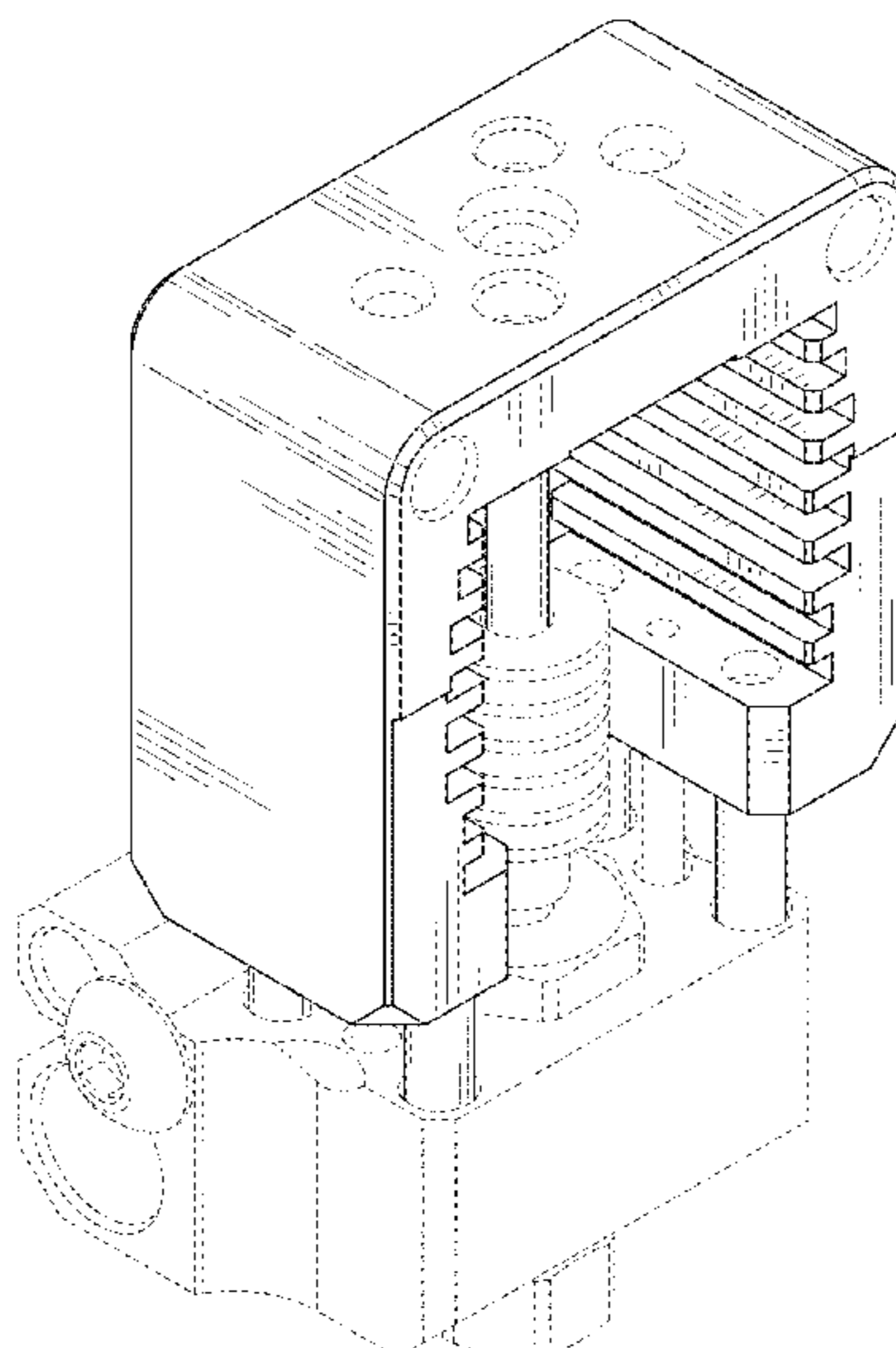
The dashed broken lines in the figures illustrate portions of the 3D printer hotend that form no part of the claimed design.

(56) **References Cited**

**U.S. PATENT DOCUMENTS**

5,939,008 A 8/1999 Comb et al.  
7,168,935 B1 1/2007 Taminger et al.

**1 Claim, 8 Drawing Sheets**



(56)

**References Cited**

U.S. PATENT DOCUMENTS

10,150,258	B2	12/2018	Feinberg et al.
10,155,313	B2	12/2018	Langford et al.
10,189,205	B1	1/2019	Ciscon et al.
10,207,326	B2	2/2019	Park et al.
10,207,462	B1	2/2019	Fields et al.
10,214,003	B2	2/2019	Lu et al.
10,245,783	B2	4/2019	Fuller
10,274,935	B2	4/2019	Vernon
10,286,588	B2	5/2019	Susnjara
10,363,730	B2	7/2019	Klein et al.
10,384,389	B2	8/2019	Contractor
D875,794	S	2/2020	Montgomery
D888,114	S *	6/2020	Montgomery ..... B33Y 30/00 D15/122
2010/0100224	A1	4/2010	Comb et al.
2016/0193778	A1	7/2016	Lee et al.
2016/0368218	A1	12/2016	Cruz et al.
2017/0050374	A1	2/2017	Minardi et al.
2017/0144379	A1	5/2017	Sung et al.
2019/0022935	A1	1/2019	Leonardus van Tooren et al.
2019/0030807	A1	1/2019	Ciscon et al.

FOREIGN PATENT DOCUMENTS

CN	103950199	B	9/2016
CN	303888554		10/2016
CN	304006997		1/2017
CN	304232309		8/2017
CN	104999669	B	4/2018
DE	102015103377	A1	5/2016
KR	1020170010624	A	2/2017
KR	1020170111520	A	10/2017

\* cited by examiner

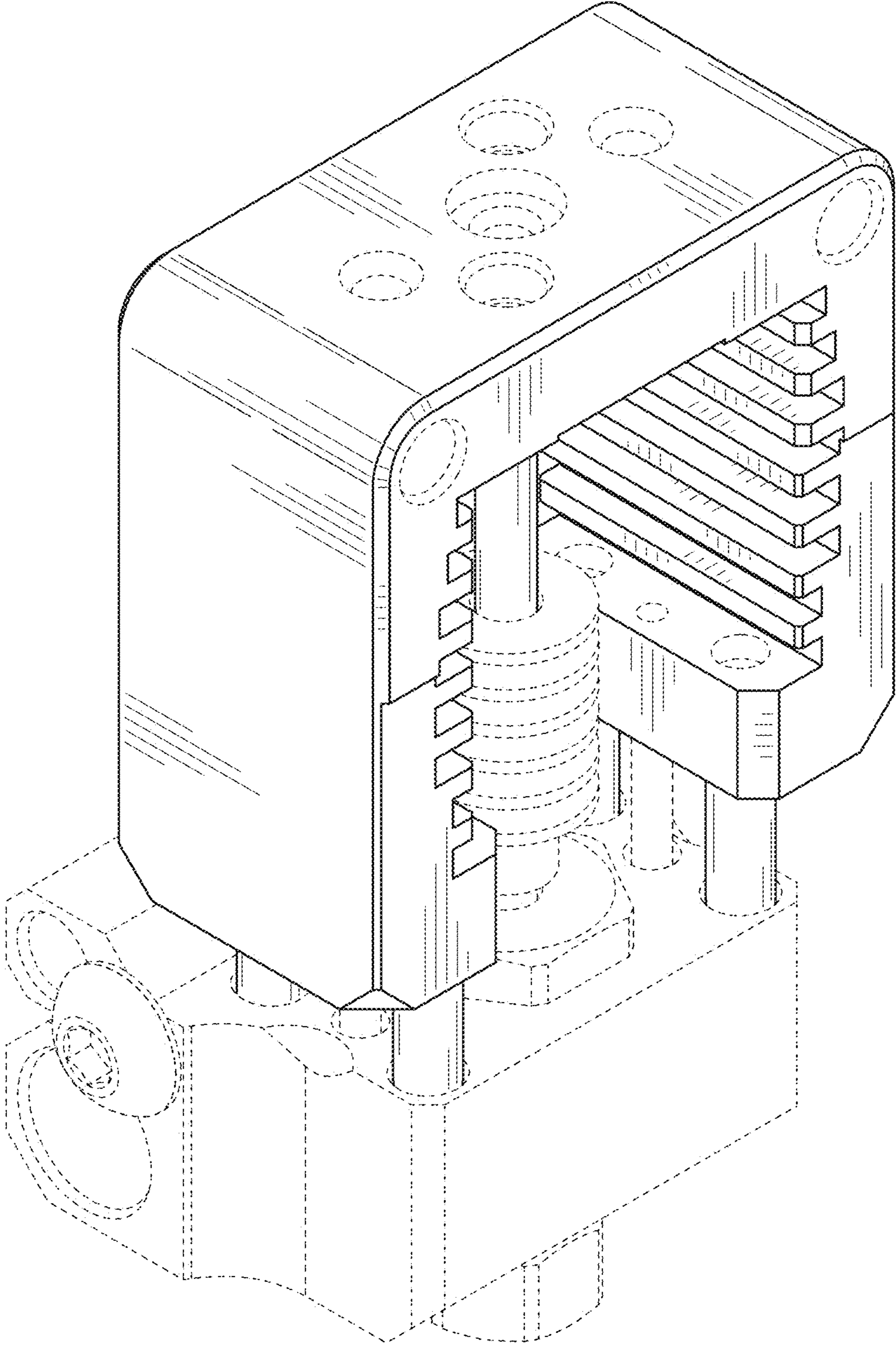


FIG. 1

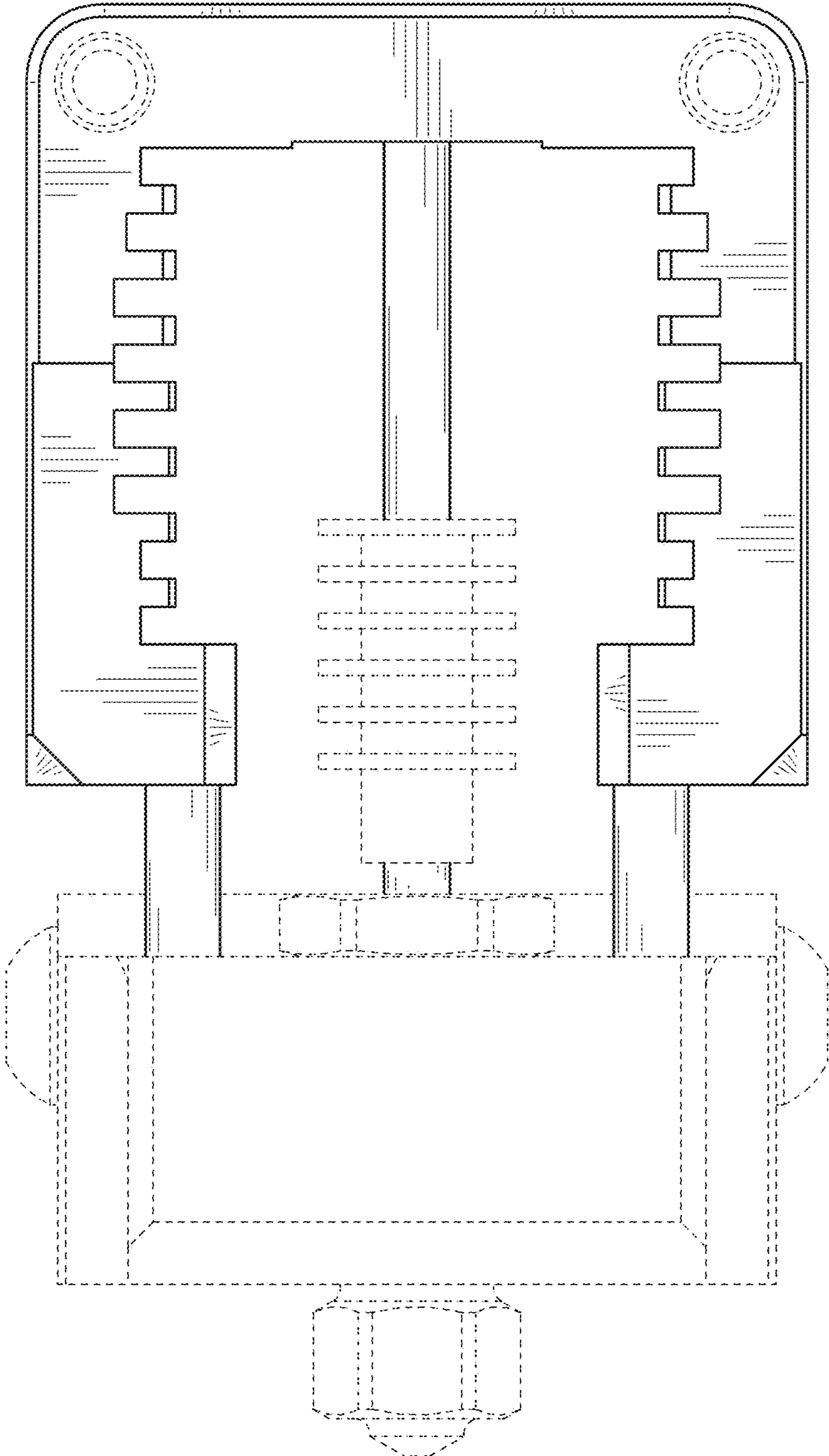


FIG. 2



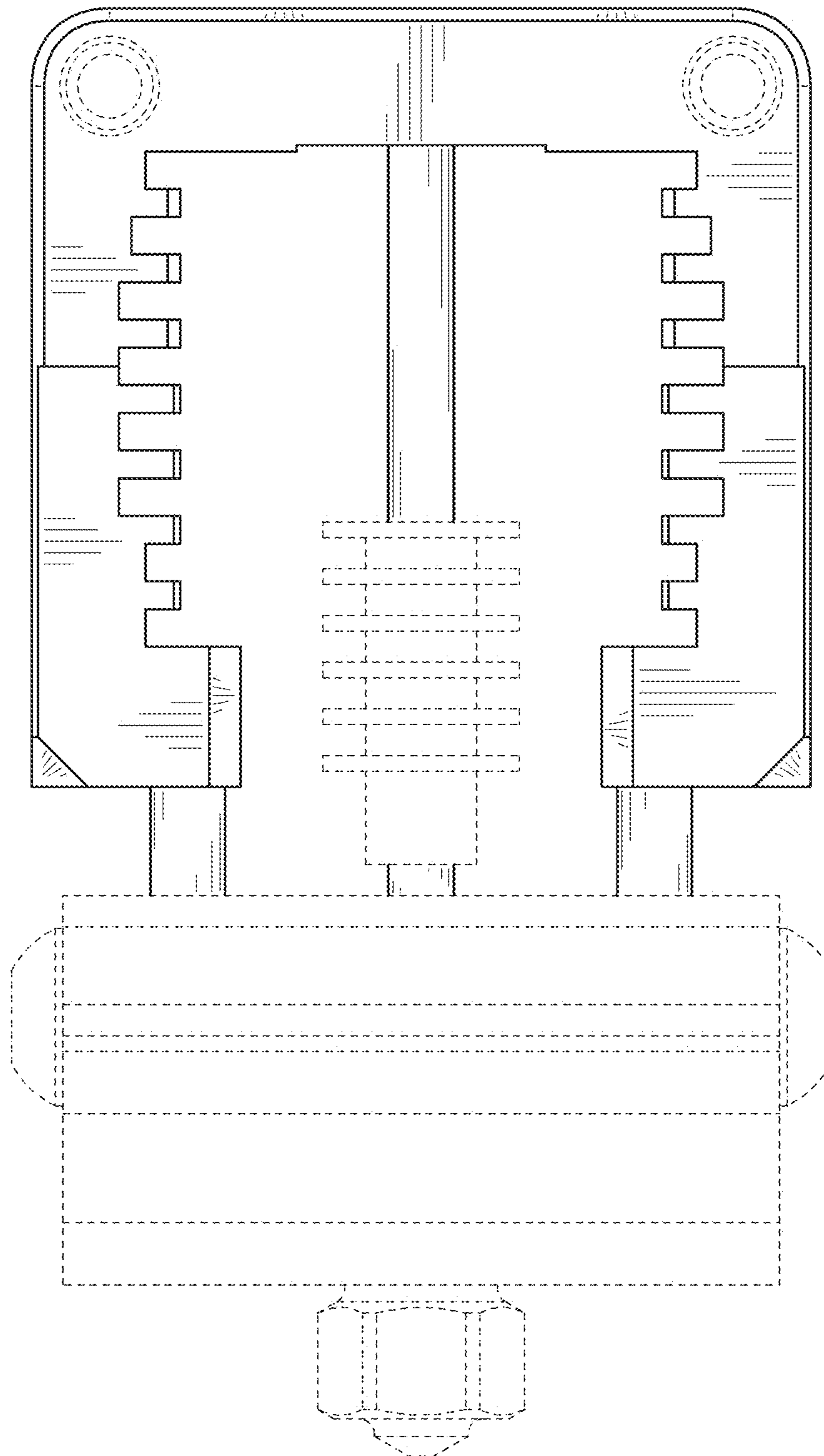


FIG. 3

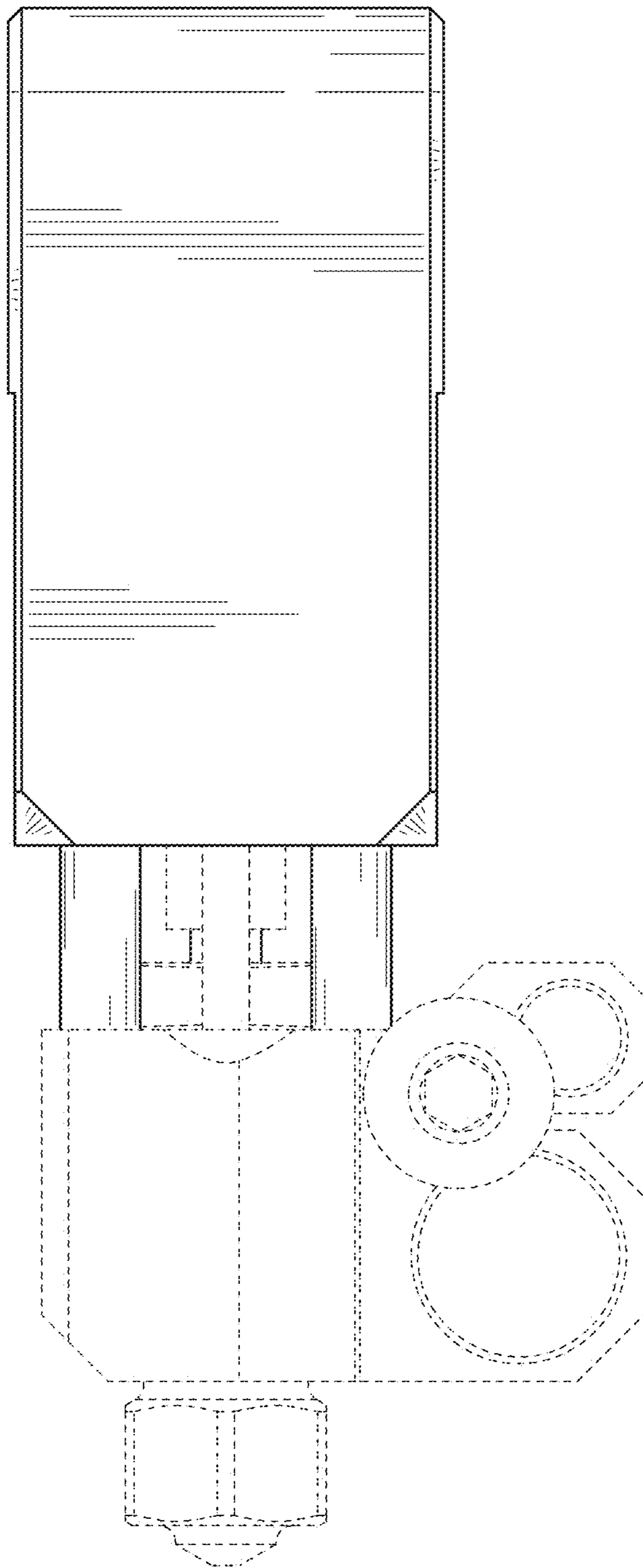


FIG. 4

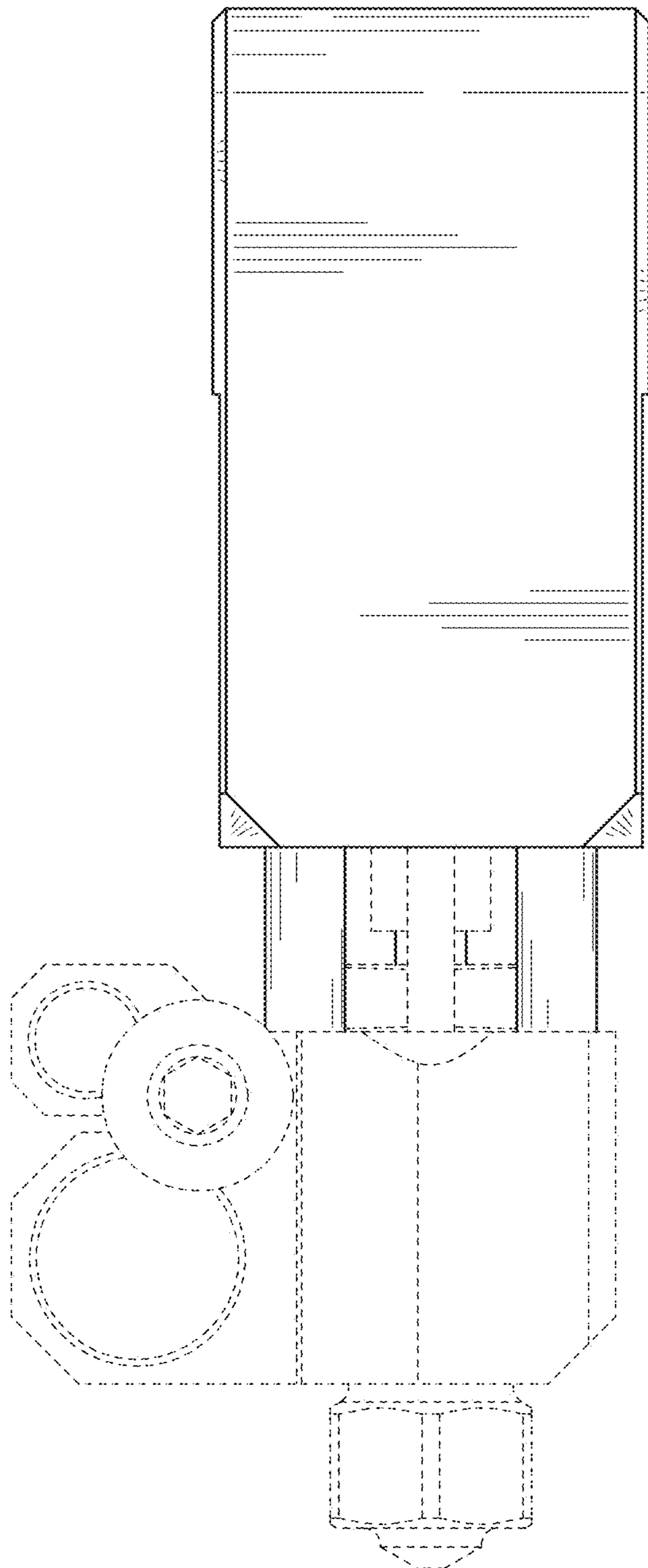


FIG. 5

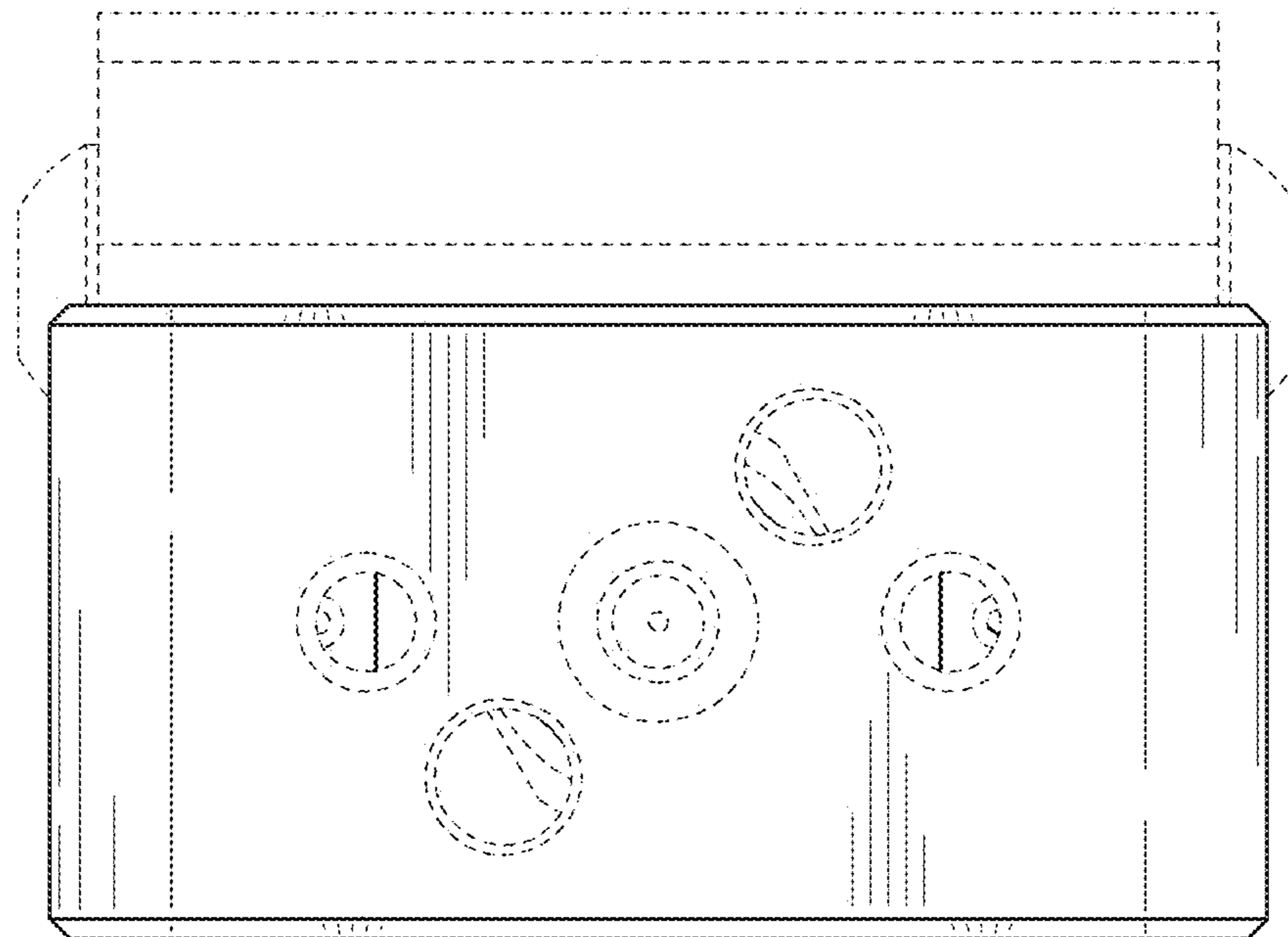


FIG. 6



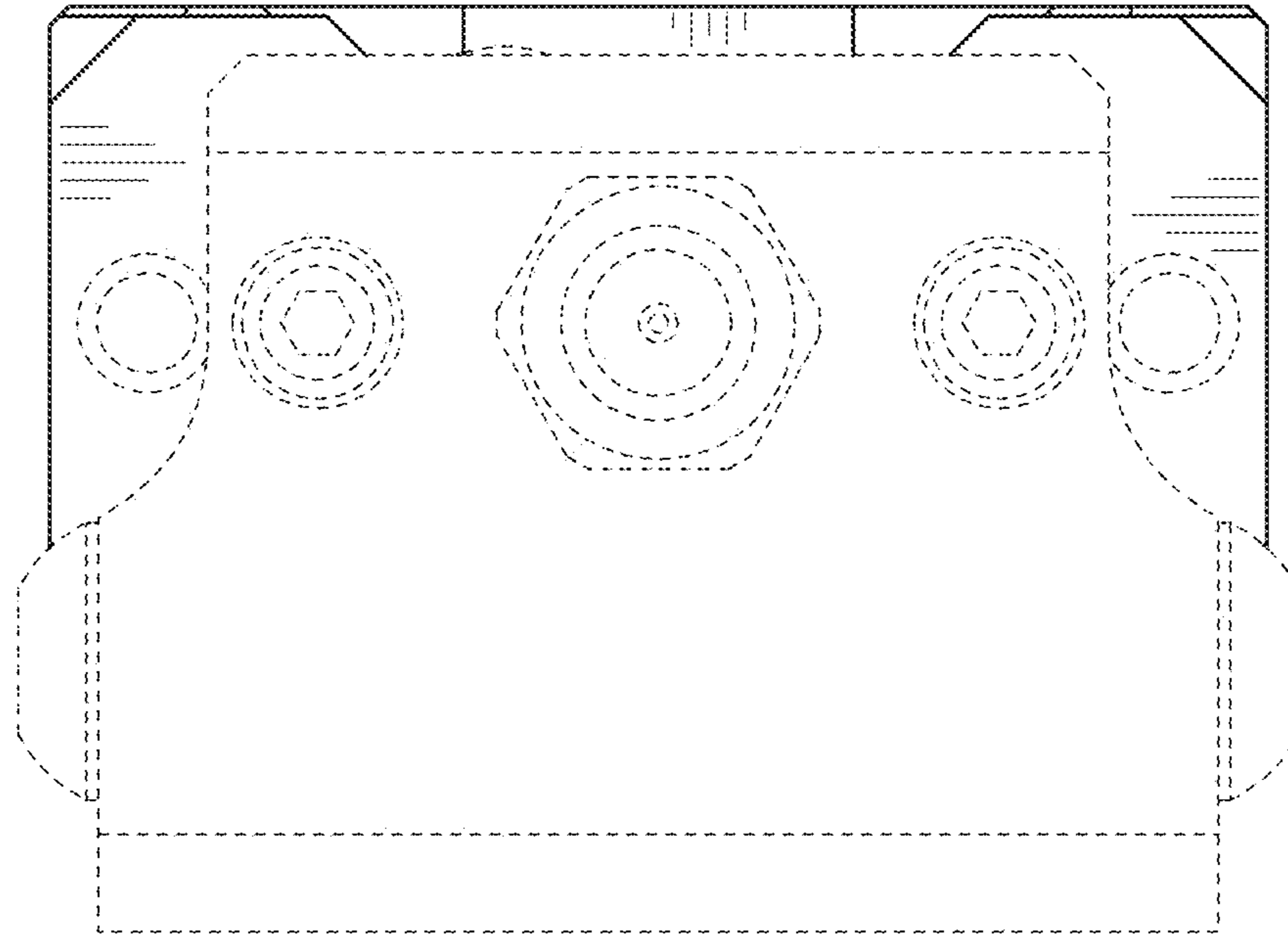


FIG. 7

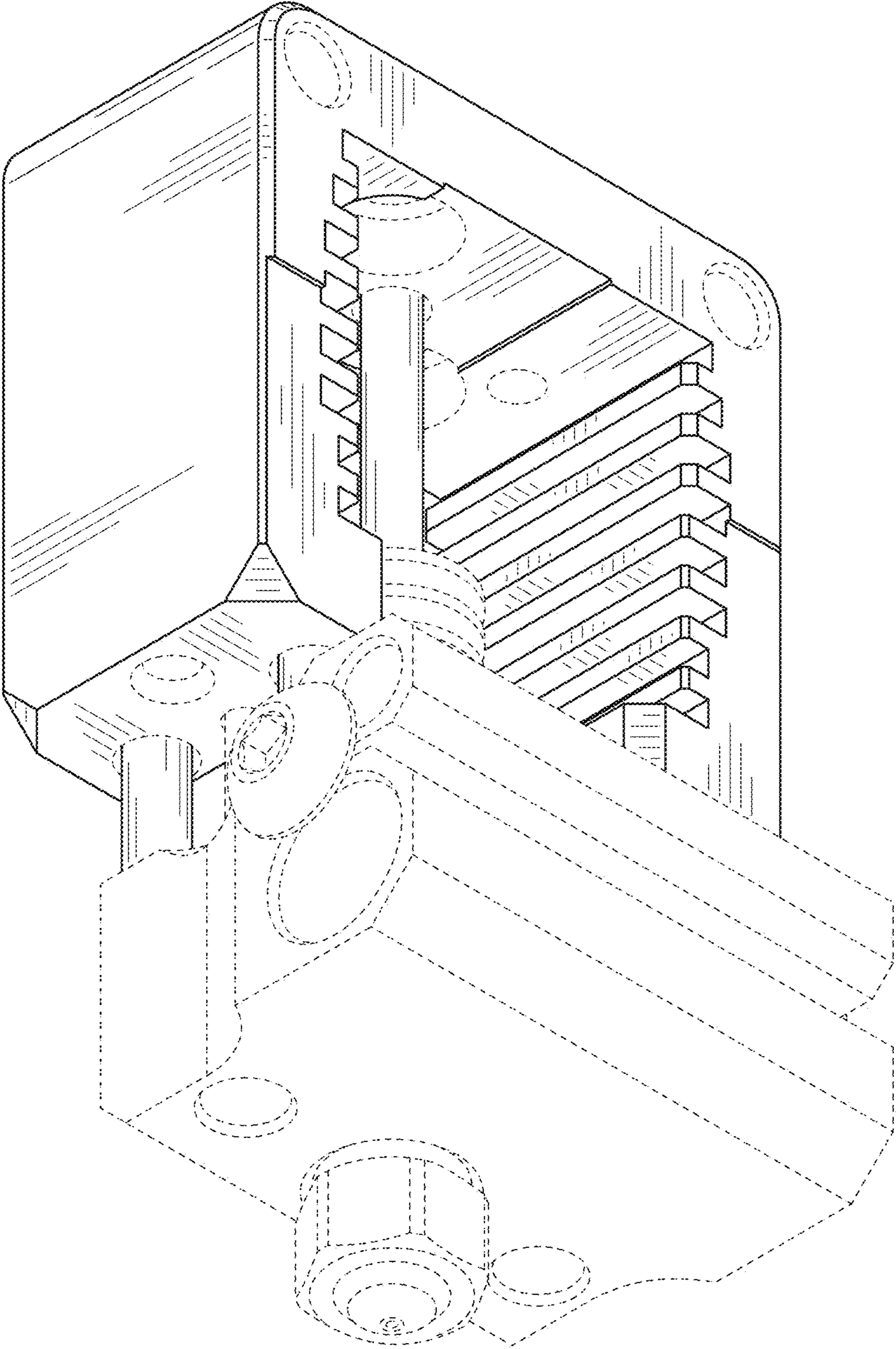


FIG. 8