



US00D905760S

(12) **United States Design Patent** (10) **Patent No.:** **US D905,760 S**
Hamburger et al. (45) **Date of Patent:** **** Dec. 22, 2020**

- (54) **SUPERCHARGER SYSTEM**
- (71) Applicant: **Hamburger Specialty Vehicles, Inc.**,
Toms River, NJ (US)
- (72) Inventors: **Edward Hamburger**, Toms River, NJ
(US); **David Goral**, Bayville, NJ (US);
Henry Daniecki, Cream Ridge, NJ
(US)
- (73) Assignee: **Hamburger's Specialty Vehicles, Inc.**,
Toms River, NJ (US)
- (**) Term: **15 Years**
- (21) Appl. No.: **29/715,524**
- (22) Filed: **Dec. 3, 2019**

D808,436	S	*	1/2018	Hamburger	D15/5
D811,438	S	*	2/2018	Hamburger	D15/5
D816,718	S	*	5/2018	Benjey	D15/5
D835,157	S	*	12/2018	Hamburger	D15/5
2009/0028739	A1	*	1/2009	Velitsko	F01C 1/123 418/191
2015/0047617	A1	*	2/2015	Benjey	F02B 33/34 123/559.3
2015/0377158	A1	*	12/2015	Benjey	B60K 6/24 701/22
2016/0001649	A1	*	1/2016	Benjey	F02B 39/04 477/5
2017/0218891	A1	*	8/2017	Zoner	F02B 33/36

* cited by examiner

Primary Examiner — Ania Aman

(74) *Attorney, Agent, or Firm* — MacMillan, Sobanski & Todd, LLC

Related U.S. Application Data

- (62) Division of application No. 29/658,392, filed on Jul. 31, 2018, now Pat. No. Des. 872,131.
- (51) **LOC (12) Cl.** **15-01**
- (52) **U.S. Cl.**
USPC **D15/5**
- (58) **Field of Classification Search**
USPC D15/1-5, 6, 7
CPC F01D 9/026; F02B 37/183; F02B 29/0412;
F02B 29/0437; F02B 33/36; F02B 27/00;
F02B 33/44; F02B 61/02; F02M
35/10157; F02M 35/116; F02M 35/161;
F02M 35/10039; F02M 35/10045; F02M
35/10144; F02M 35/10268
See application file for complete search history.

References Cited

U.S. PATENT DOCUMENTS

- 8,439,020 B1 * 5/2013 Carlson F02B 33/40
123/559.1
- D728,625 S * 5/2015 Benjey D15/5

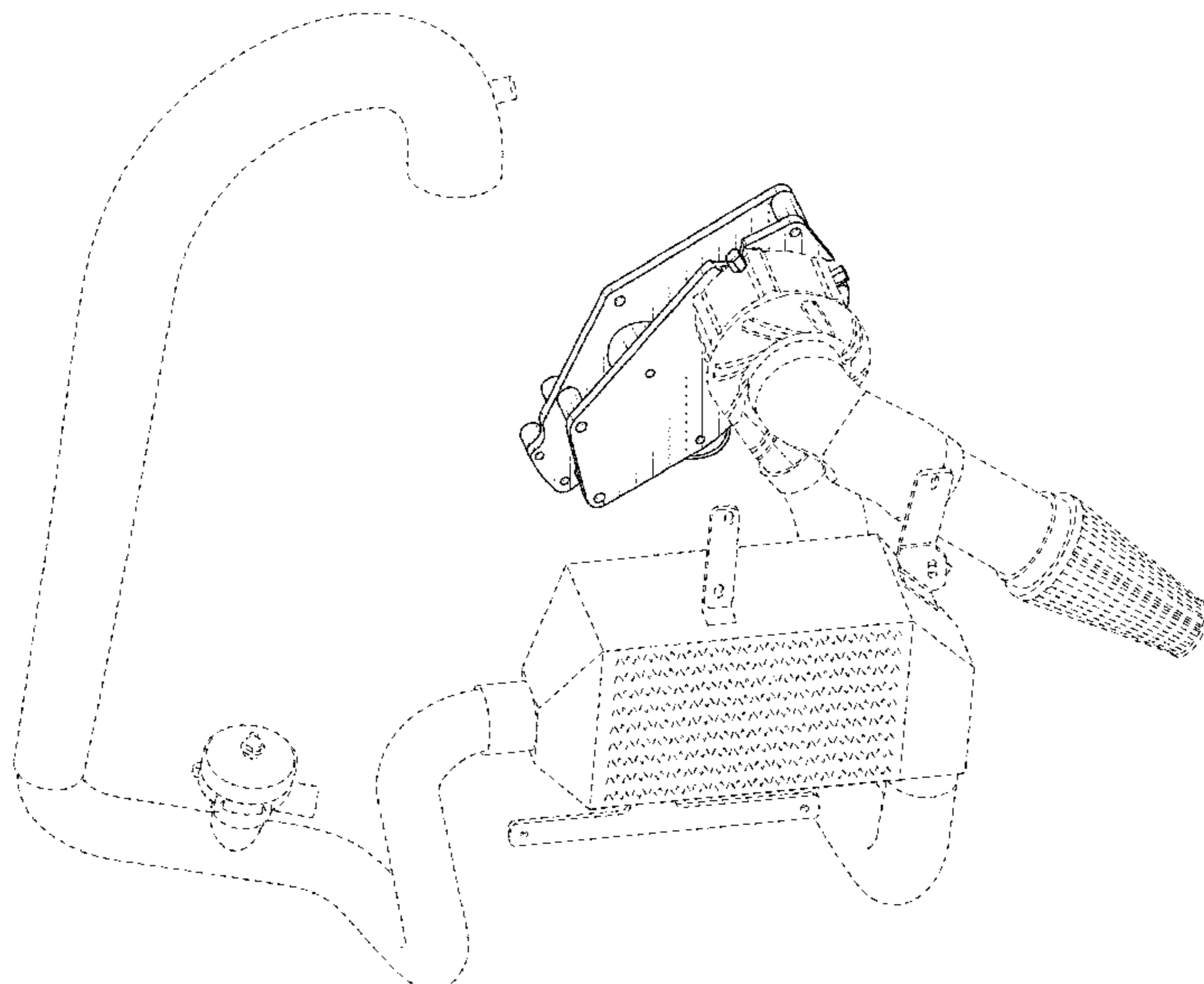
(57) **CLAIM**

The ornamental design for a supercharger system, as shown and described.

DESCRIPTION

FIG. 1 is a perspective view of a supercharger system according to the design;
 FIG. 2 is a front elevational view thereof;
 FIG. 3 is a rear elevational view thereof;
 FIG. 4 is a right side elevational view thereof;
 FIG. 5 is a left side elevational view thereof;
 FIG. 6 is a top plan view thereof; and,
 FIG. 7 is a bottom plan view thereof.
 The broken lines shown in the drawings are for the purposes of illustrating portions of the article that form no part of the claimed design.

1 Claim, 5 Drawing Sheets



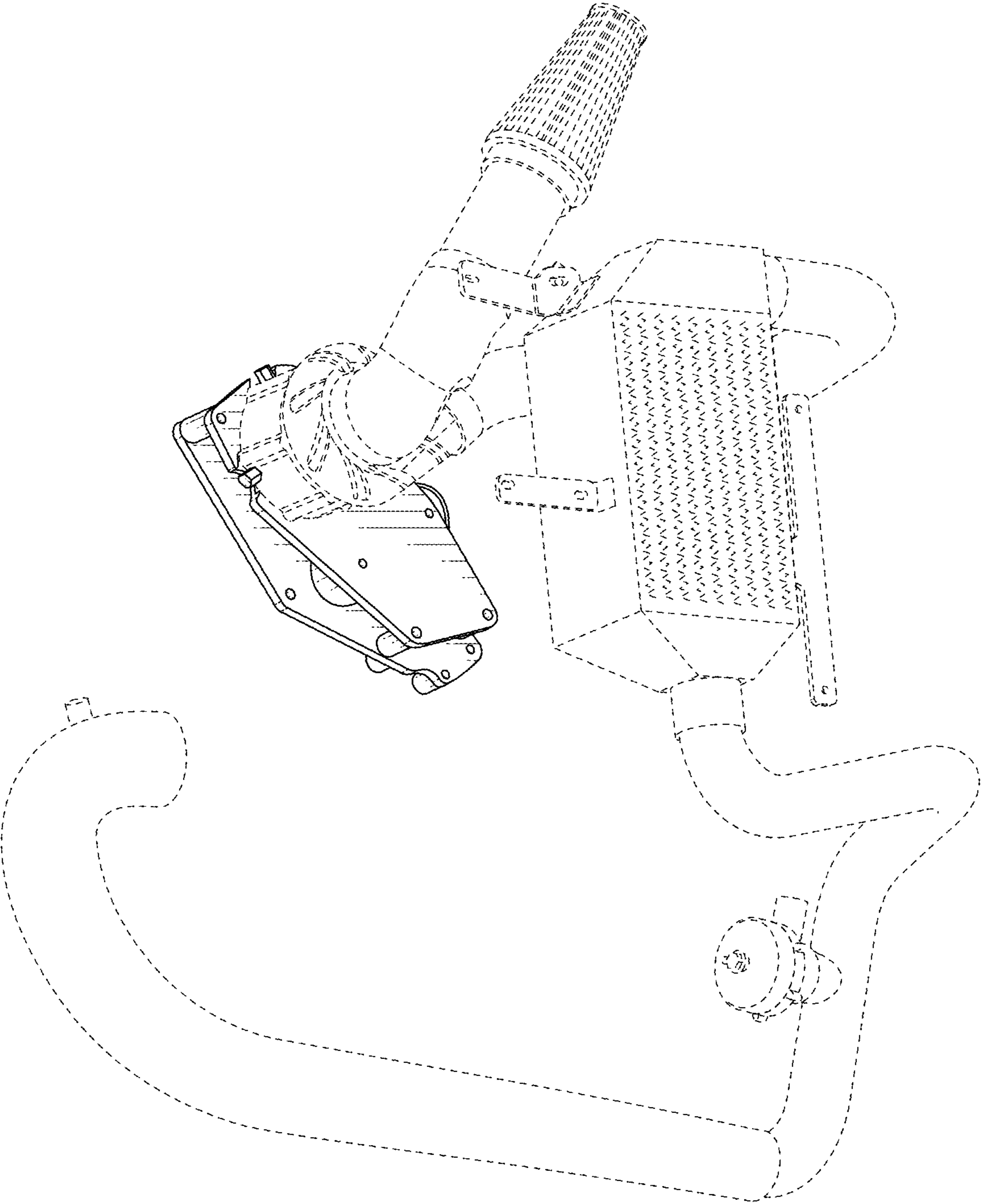


FIG. 1

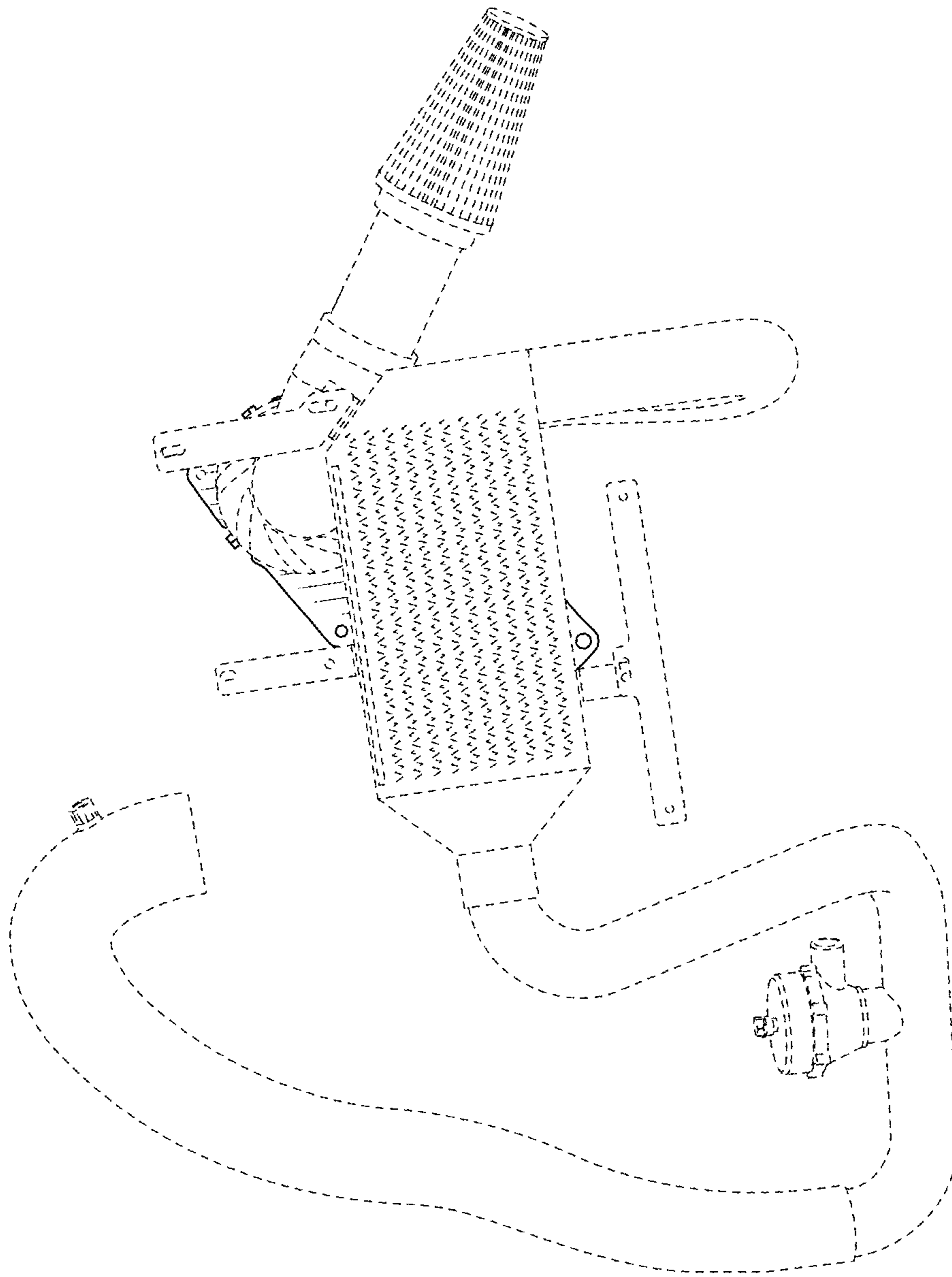


FIG. 2

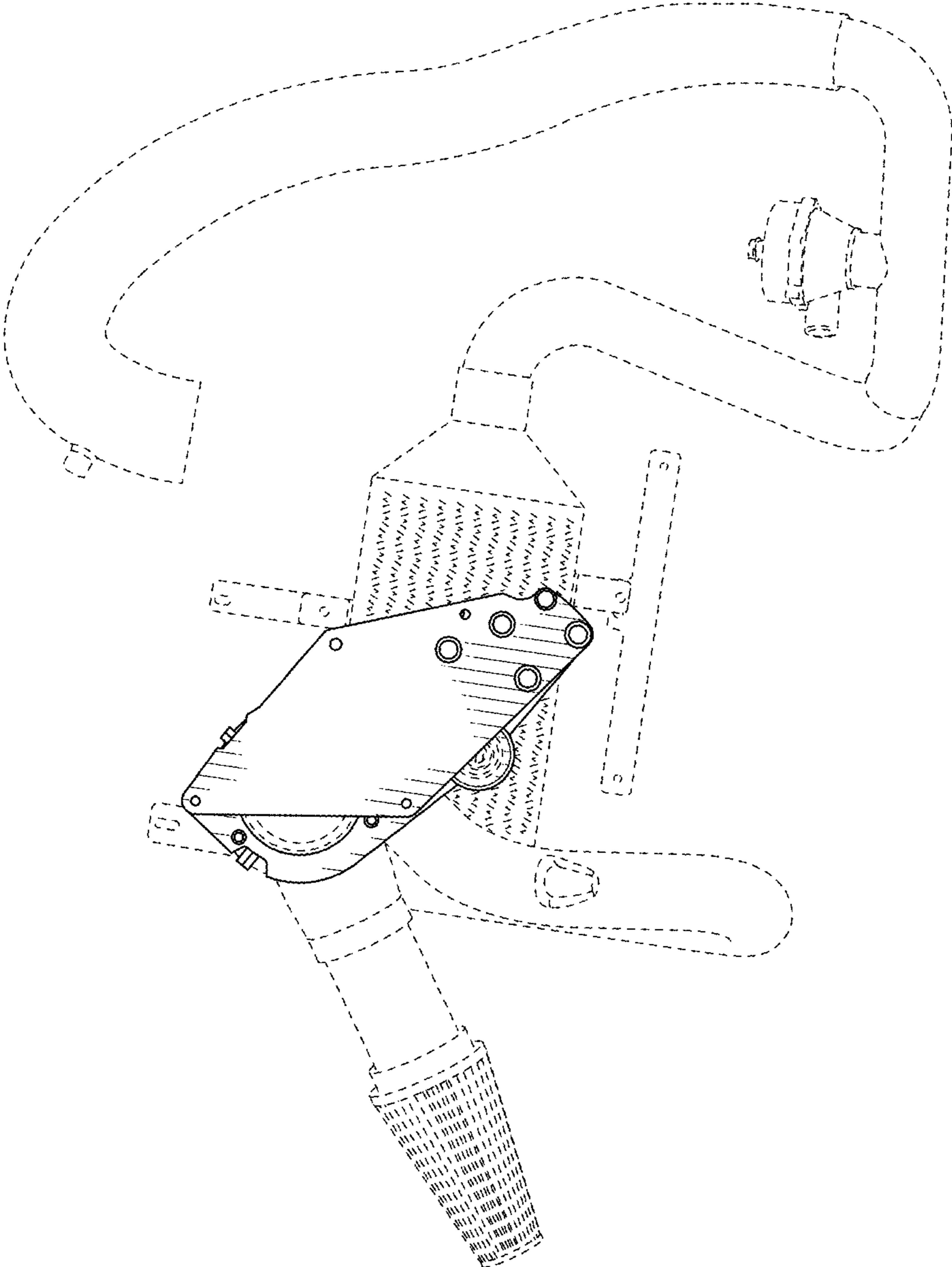


FIG. 3

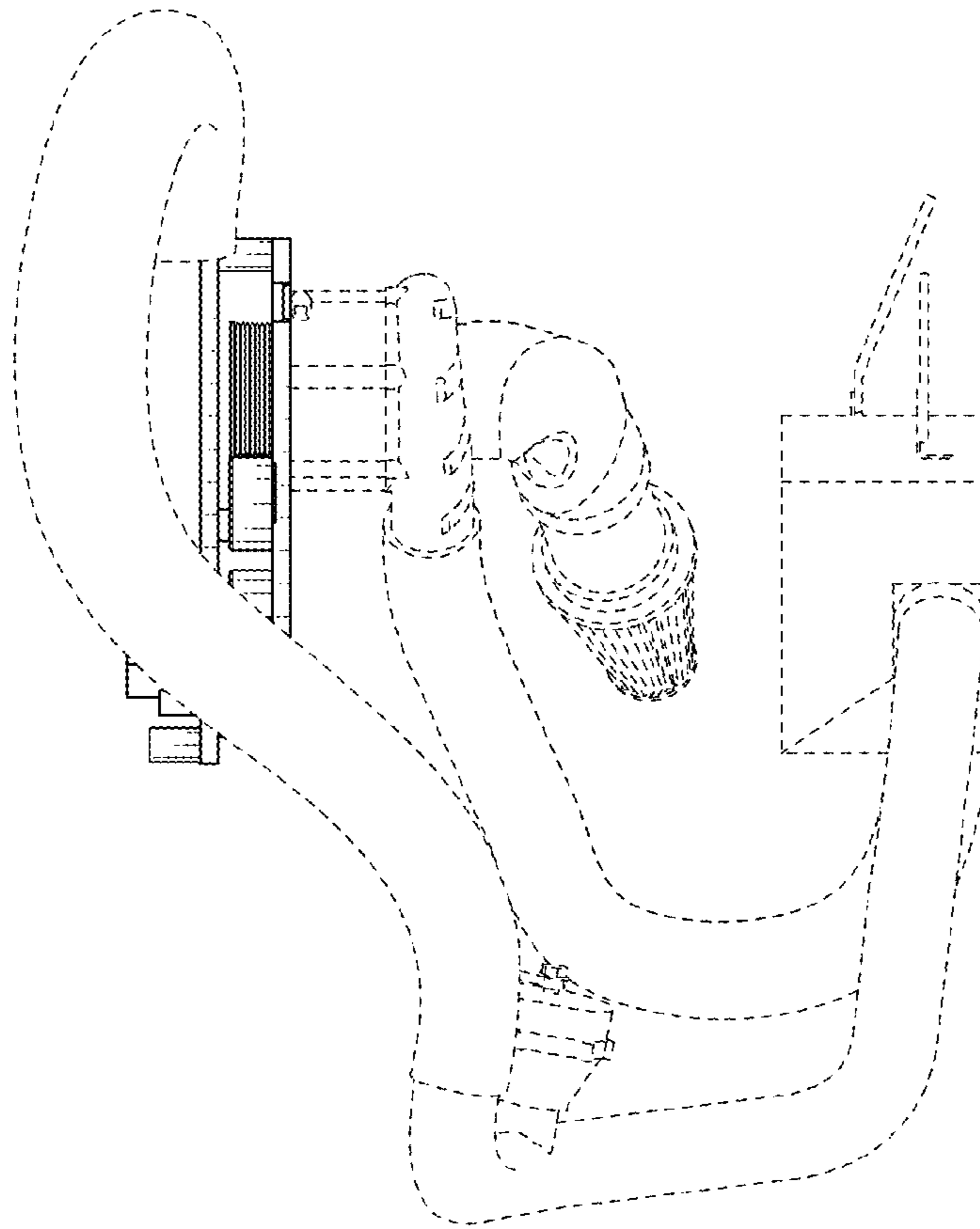


FIG. 4

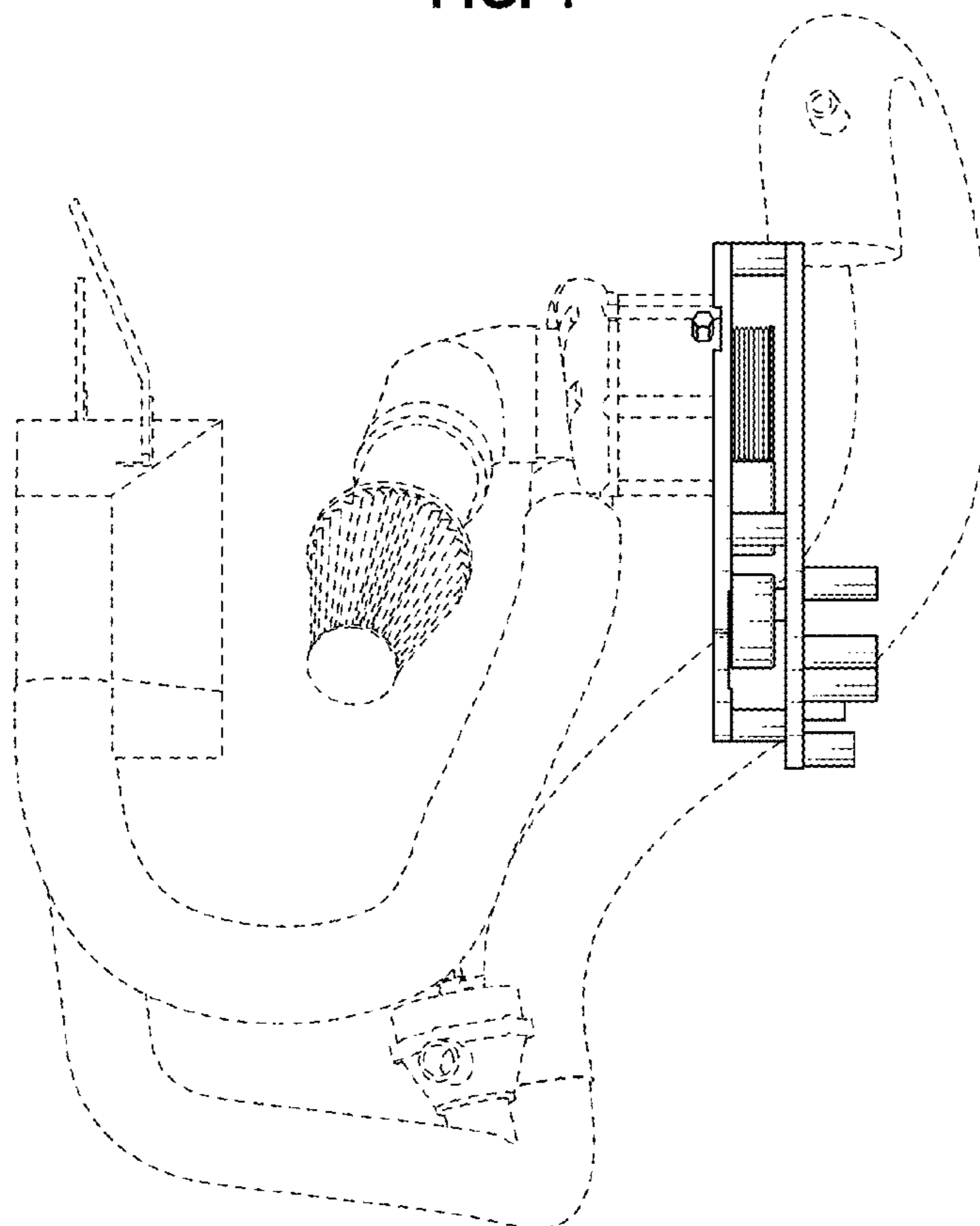


FIG. 5

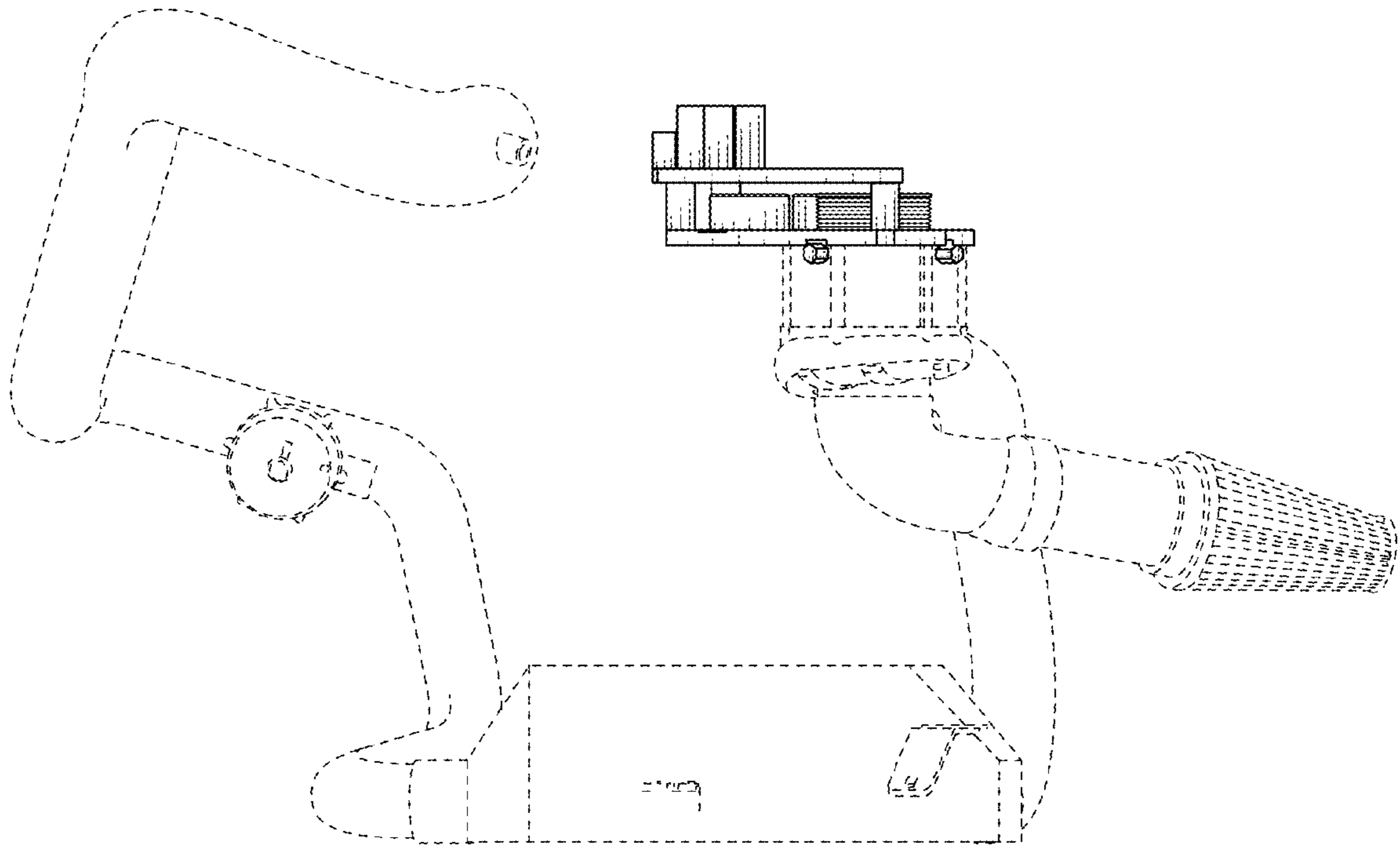


FIG. 6

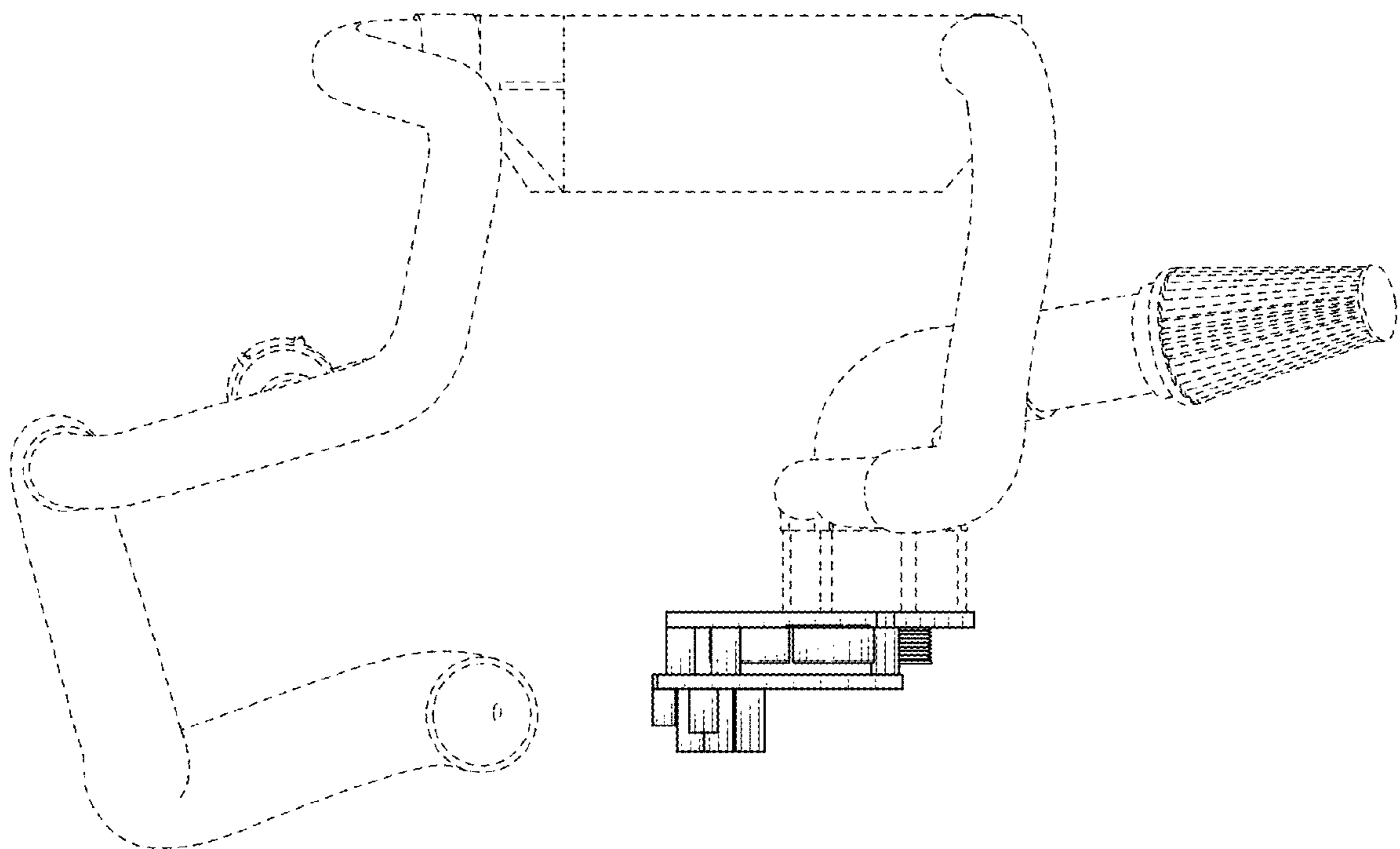


FIG. 7