



US00D905757S

(12) **United States Design Patent**
Domke et al.

(10) **Patent No.:** **US D905,757 S**

(45) **Date of Patent:** **** Dec. 22, 2020**

(54) **FOOT PEDAL**

(71) Applicant: **Garmin Switzerland GmbH**,
Schaffhausen (CH)

(72) Inventors: **Gary J. Domke**, Shawnee, KS (US);
Mark B. Emge, Olathe, KS (US);
Robert M. Kalis, Overland Park, KS
(US); **Darren S. Mullin**, Kansas City,
KS (US); **Robert S. Lillquist**, New
York, NY (US)

(73) Assignee: **Garmin Switzerland GmbH**

(**) Term: **15 Years**

(21) Appl. No.: **29/695,650**

(22) Filed: **Jun. 20, 2019**

(51) **LOC (12) Cl.** **15-01**

(52) **U.S. Cl.**
USPC **D15/4; D12/174**

(58) **Field of Classification Search**
USPC D15/4, 72; D13/164, 167, 179; D17/20,
D17/99; D24/144, 107, 127, 167, 169,
D24/170, 172, 179, 185; D12/174, 400,
D12/125

CPC ... A61C 1/0023; A61B 34/25; A61F 9/00736;
A63B 22/0046; H01H 3/14; G05G 1/30

See application file for complete search history.

(56) **References Cited**

U.S. PATENT DOCUMENTS

D408,827 S *	4/1999	Cook, III	D15/4
D455,437 S *	4/2002	Knight	D15/4
D517,502 S *	3/2006	Ogawa	D13/167
D540,227 S *	4/2007	Doucet	D12/174
D599,746 S *	9/2009	Long	D13/167
D708,593 S *	7/2014	Lynn	D13/179
D715,924 S *	10/2014	Green	D24/127
D727,498 S *	4/2015	Creed	D13/167
D767,506 S *	9/2016	Lewis	D13/167

D886,863 S *	6/2020	Bailey	D15/4
2004/0035242 A1 *	2/2004	Peterson	G05G 1/30 74/560
2005/0082786 A1 *	4/2005	Clark	A63B 22/0046 280/294
2005/0103607 A1 *	5/2005	Mezhinsky	H01H 3/14 200/86.5
2007/0152508 A1 *	7/2007	Mezhinsky	A61F 9/00736 307/119

(Continued)

OTHER PUBLICATIONS

Minn Kota Motors, "Foot Pedal—Corded—Powerdrive," <https://minnkotamotors.johnsonoutdoors.com/accessories/trolling-motor/foot-pedal-corded-powerdrive>, printed Oct. 2, 2019, published before Jun. 20, 2019.

(Continued)

Primary Examiner — Susan E Krakower

Assistant Examiner — Jerry Shiuan-Hua Hsu

(74) *Attorney, Agent, or Firm* — Samuel M. Korte; Max M. Ali

(57) **CLAIM**

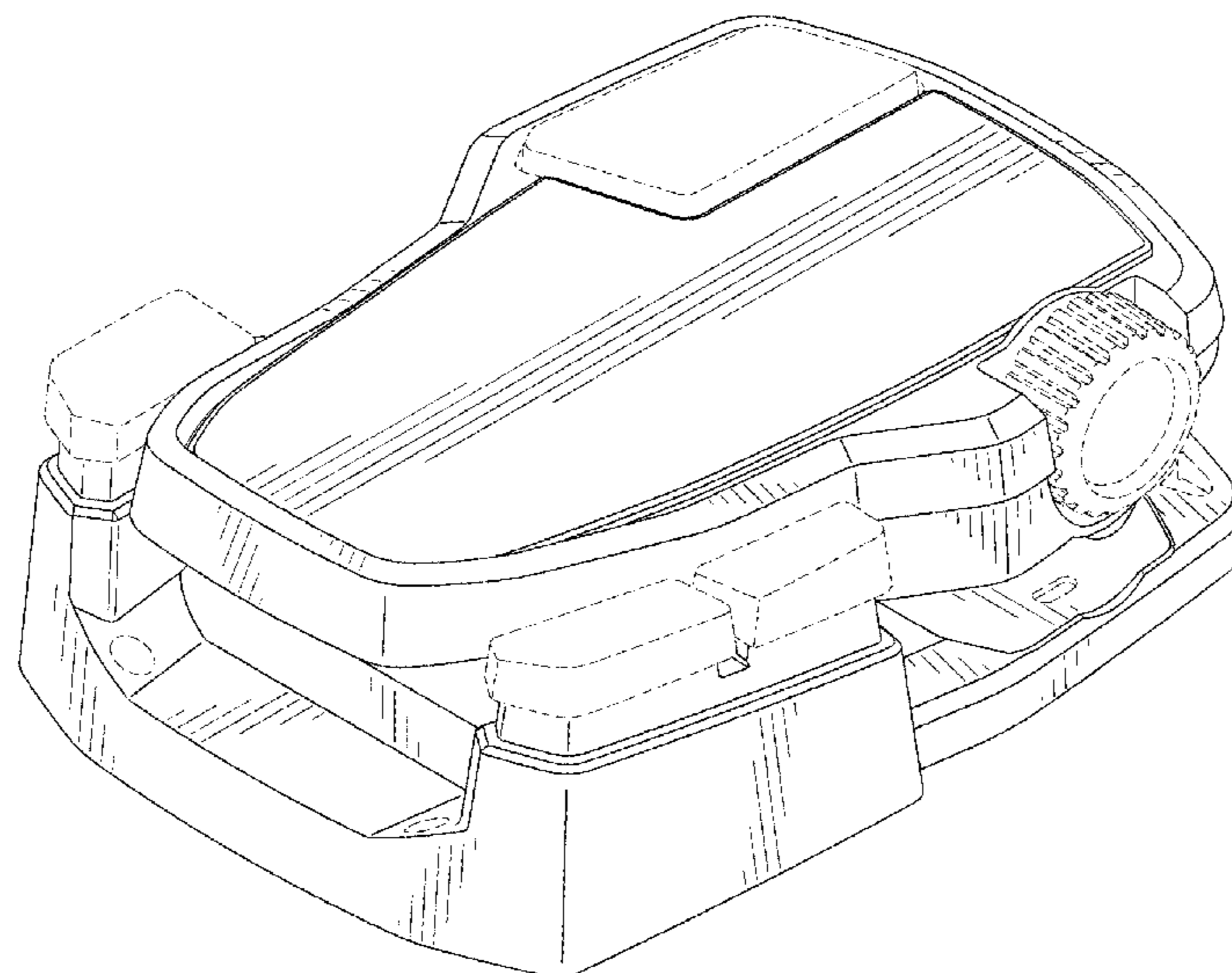
The ornamental design for a foot pedal, as shown and described.

DESCRIPTION

FIG. 1 is a front perspective view of a foot pedal according to the present invention;
FIG. 2 is a rear perspective view of the foot pedal;
FIG. 3 is a top view of the foot pedal;
FIG. 4 is a bottom view of the foot pedal;
FIG. 5 is a right side view of the foot pedal;
FIG. 6 is a left side view of the foot pedal;
FIG. 7 is a rear view of the foot pedal; and,
FIG. 8 is a front view of the foot pedal.

The broken lines shown in the drawings represent portions of the foot pedal that form no part of the claimed design.

1 Claim, 4 Drawing Sheets



(56)

References Cited

U.S. PATENT DOCUMENTS

2014/0135785 A1* 5/2014 Tran A61B 34/25
606/107
2016/0067010 A1* 3/2016 Nam A61C 1/0023
433/27
2019/0176950 A1 6/2019 Whiteside et al.

OTHER PUBLICATIONS

Minn Kota, "Foot Pedal—Corded—Ulterra/RT Ulterra," <https://minnkotamotors.johnsonoutdoors.com/accessories/trolling-motor/foot-pedal-corded-ulterrart-ulterra>, published before Jun. 20, 2019.
Minn Kota Motors, New Foot Pedal Corded—Terrova/Terrova, <https://minnkotamotors.johnsonoutdoors.com/accessories/trolling-motor/new-foot-pedal-corded-terrovariptide-terrova>, printed Oct. 2, 2019, published before, Jun. 20, 2019.
XI Series Wireless Foot Pedal, <https://shop.motorguide.com/products/8m0092069.html>, printed Oct. 2, 2019, published before Jun. 20, 2019.

* cited by examiner

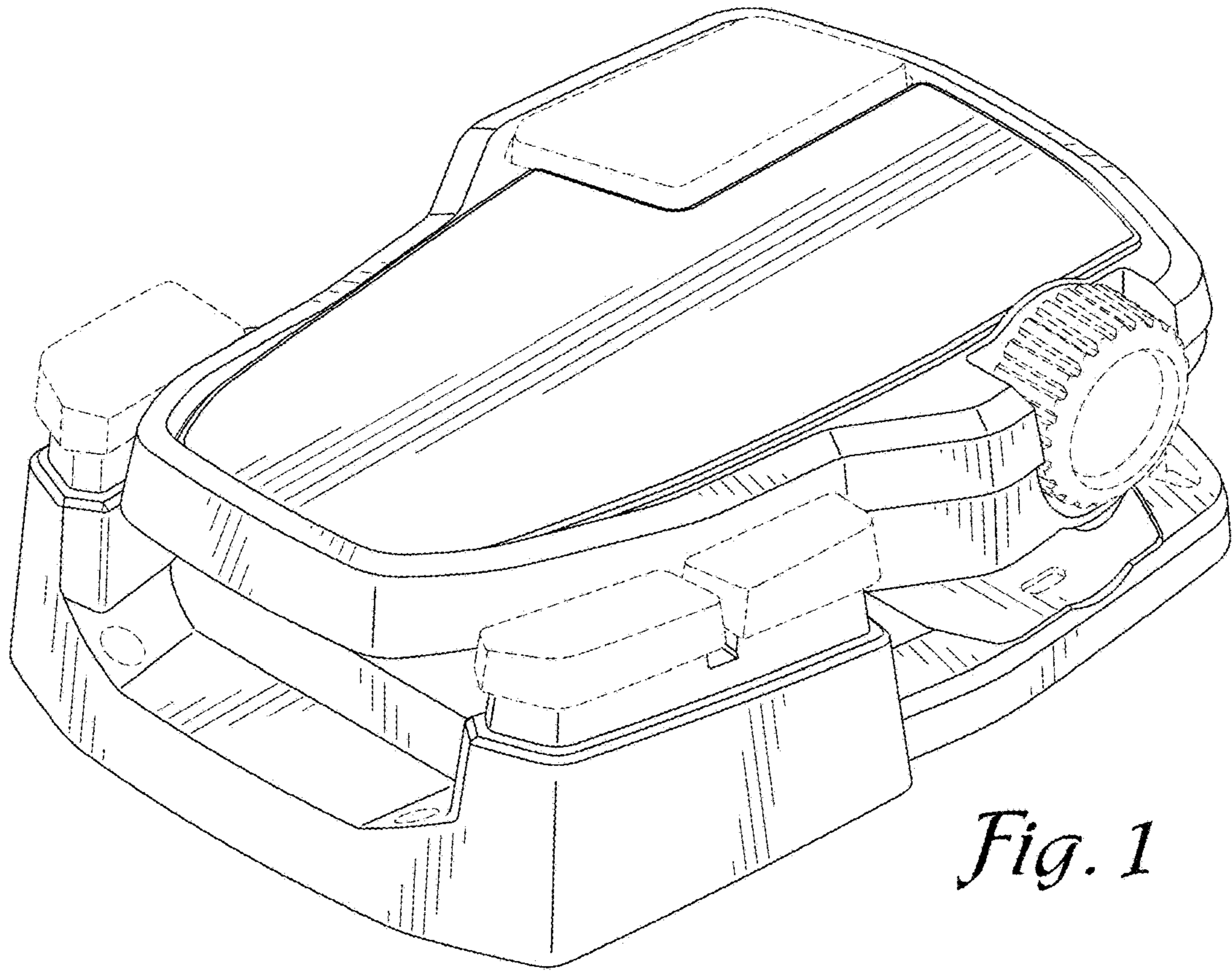


Fig. 1

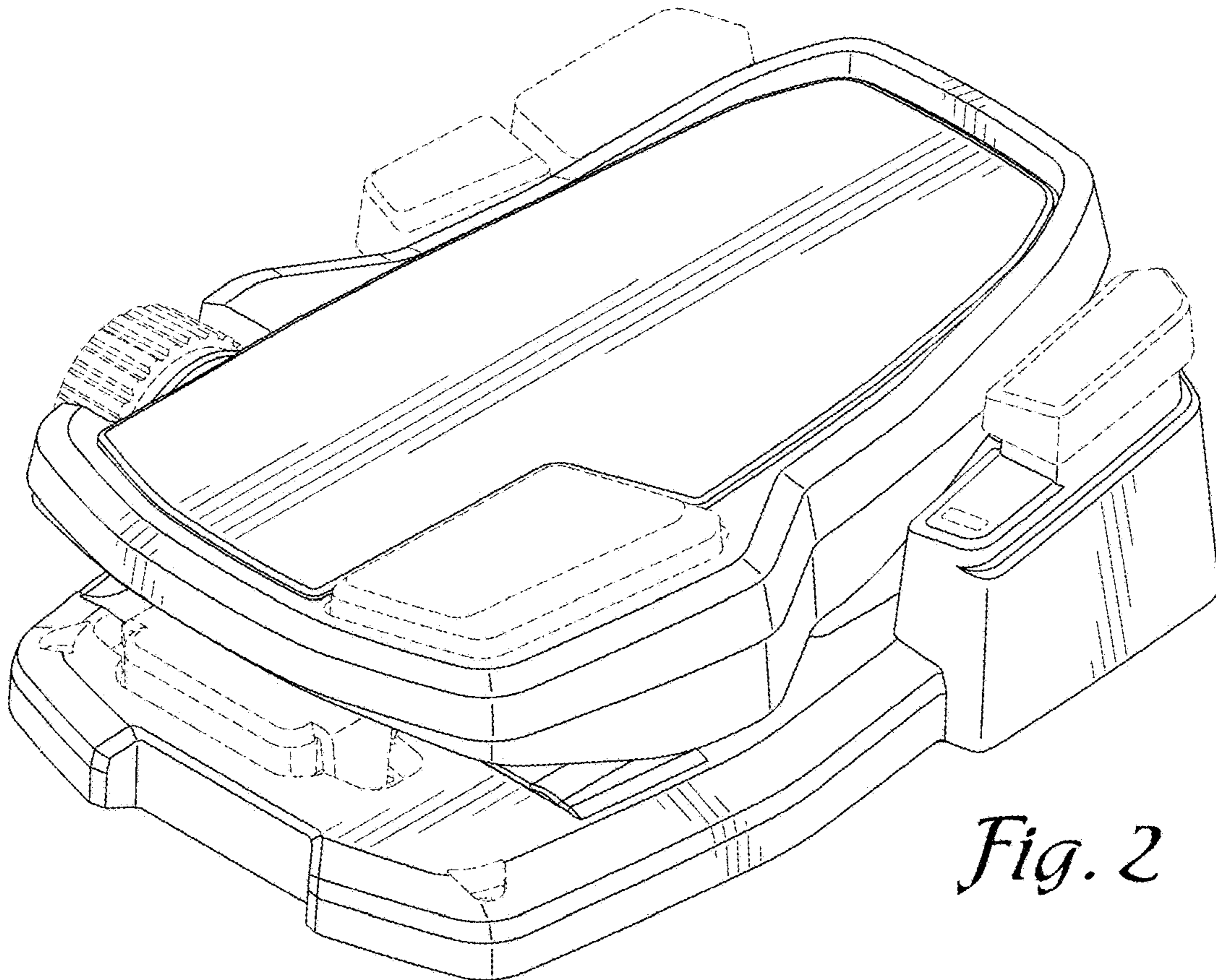


Fig. 2

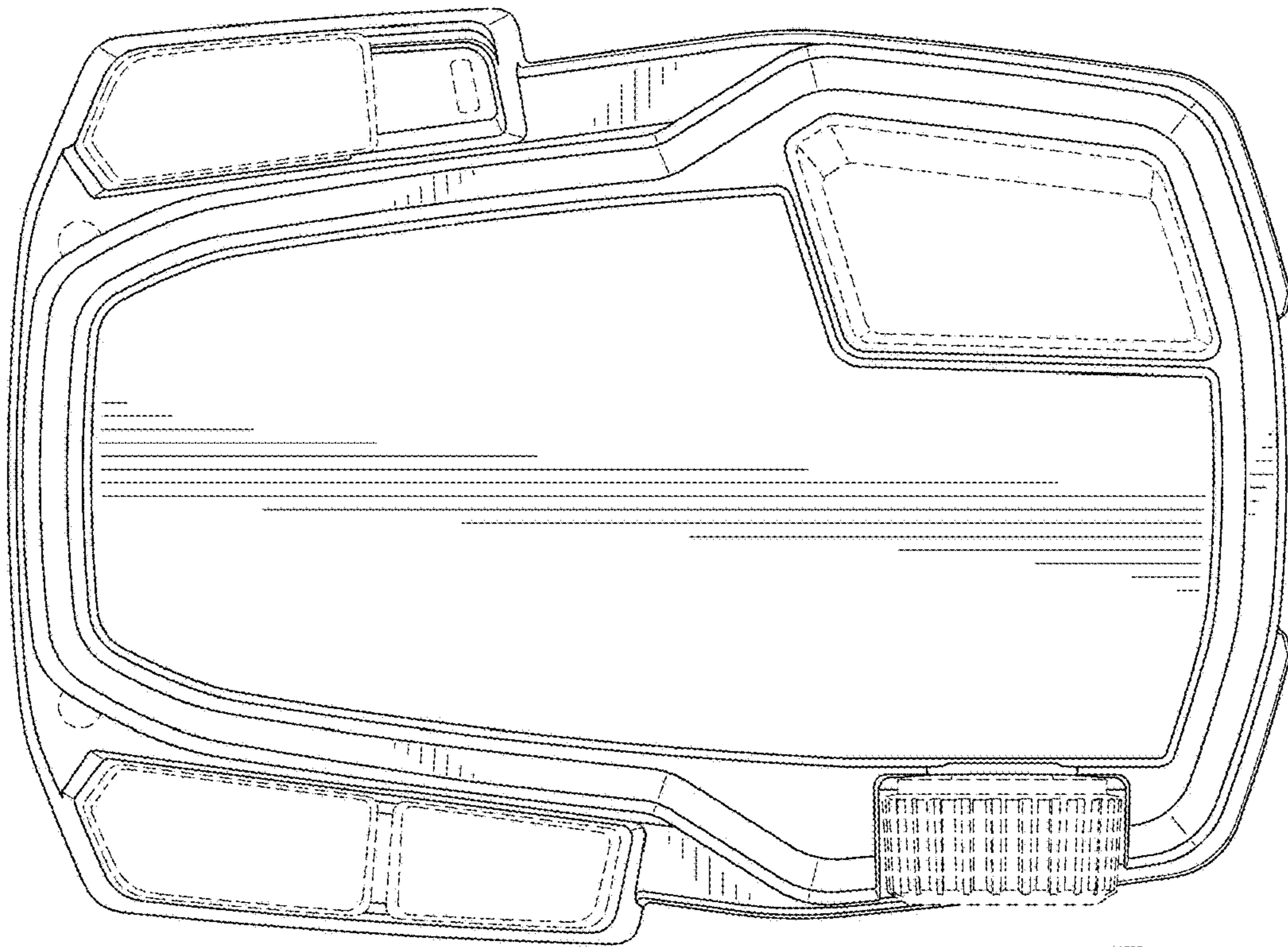


Fig. 3

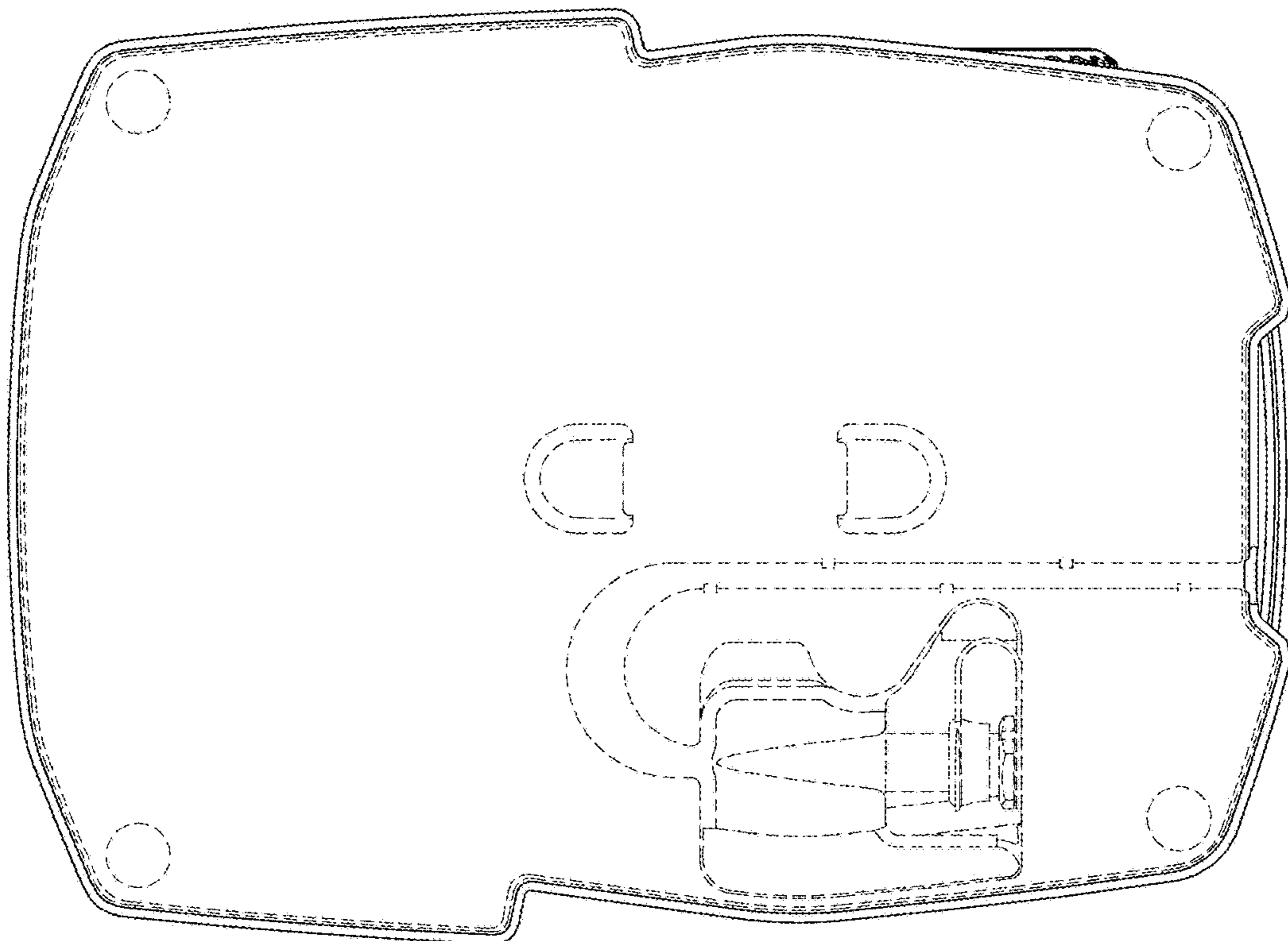


Fig. 4

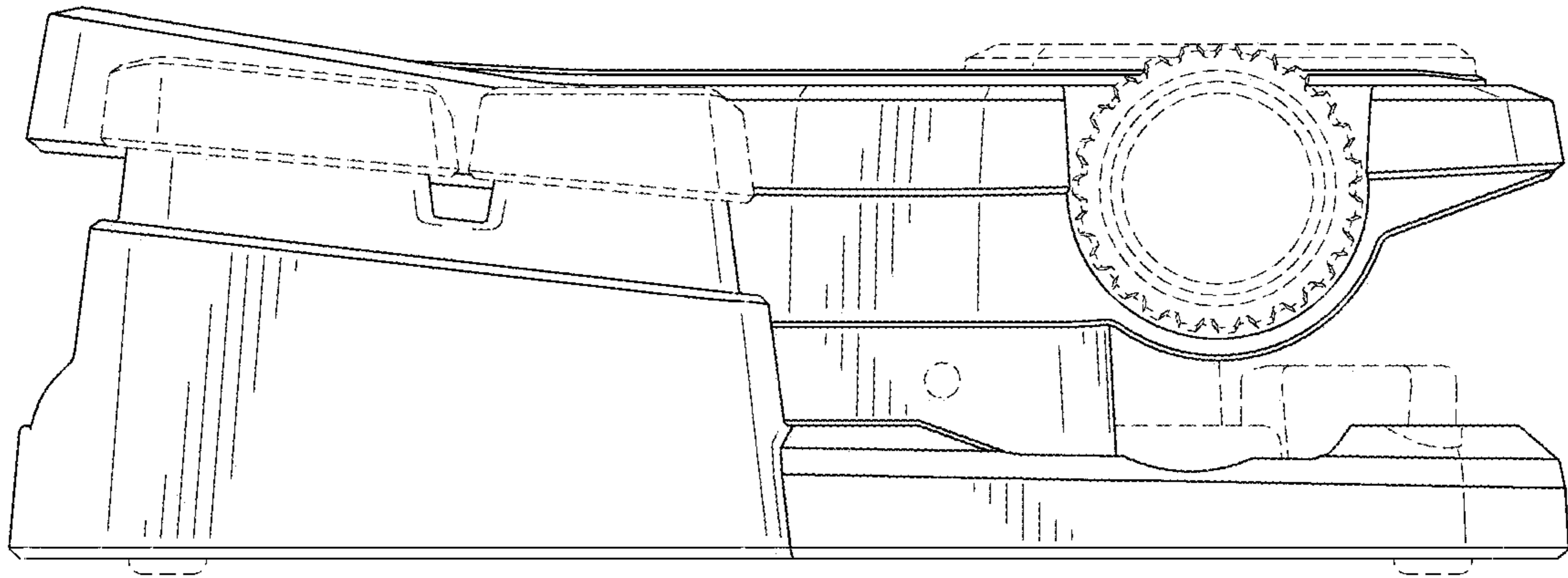


Fig. 5

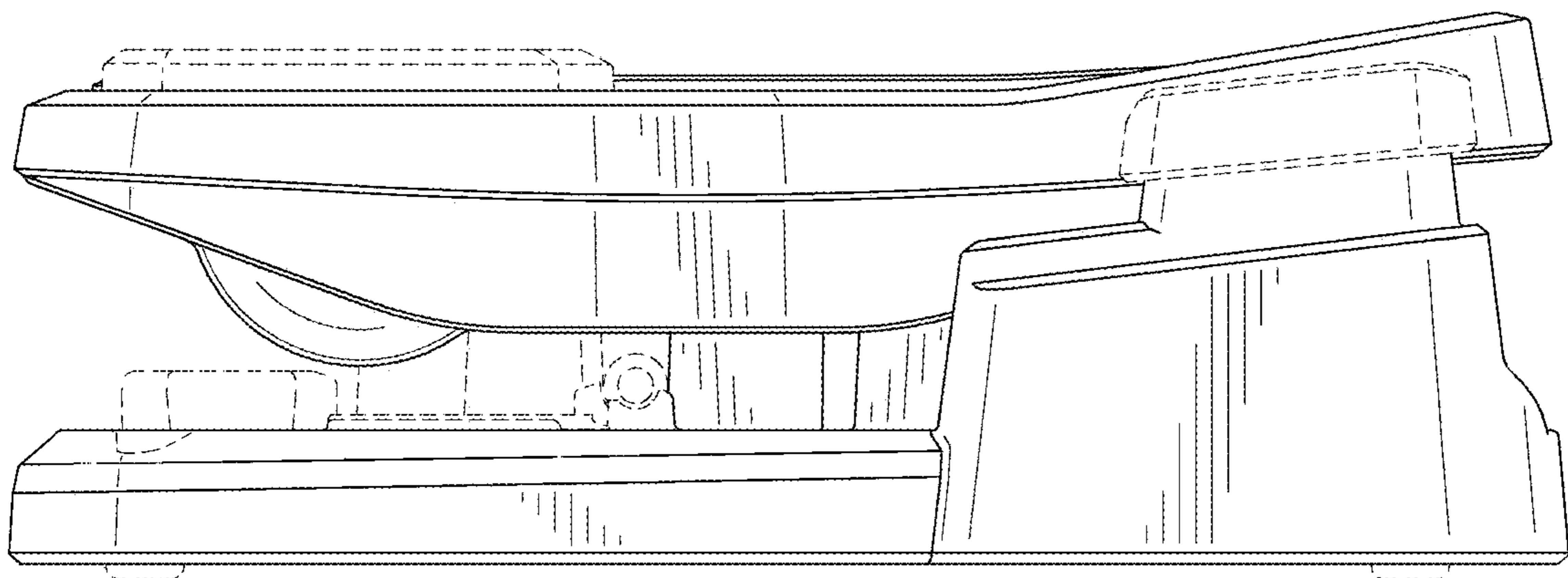


Fig. 6

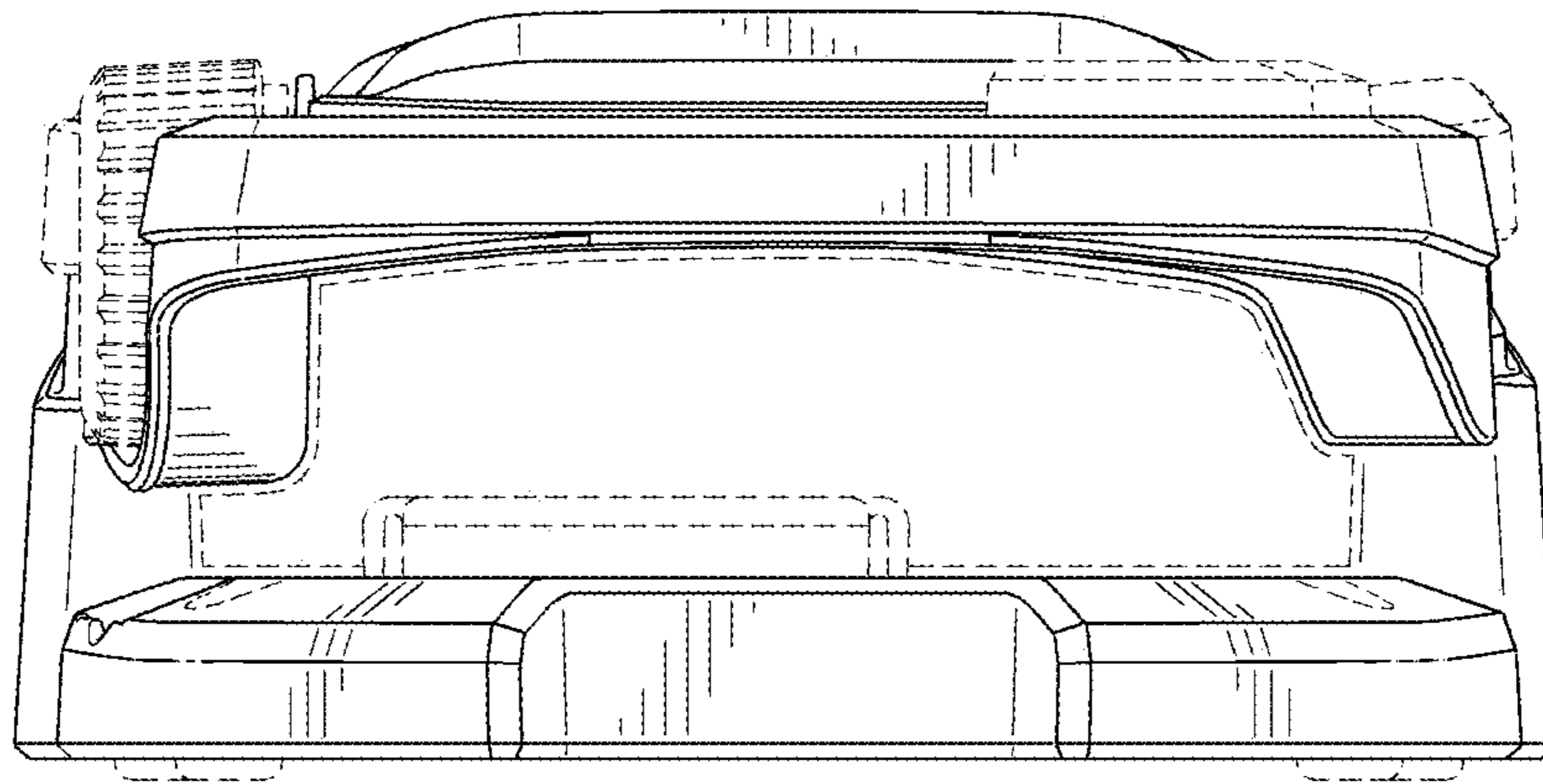


Fig. 7

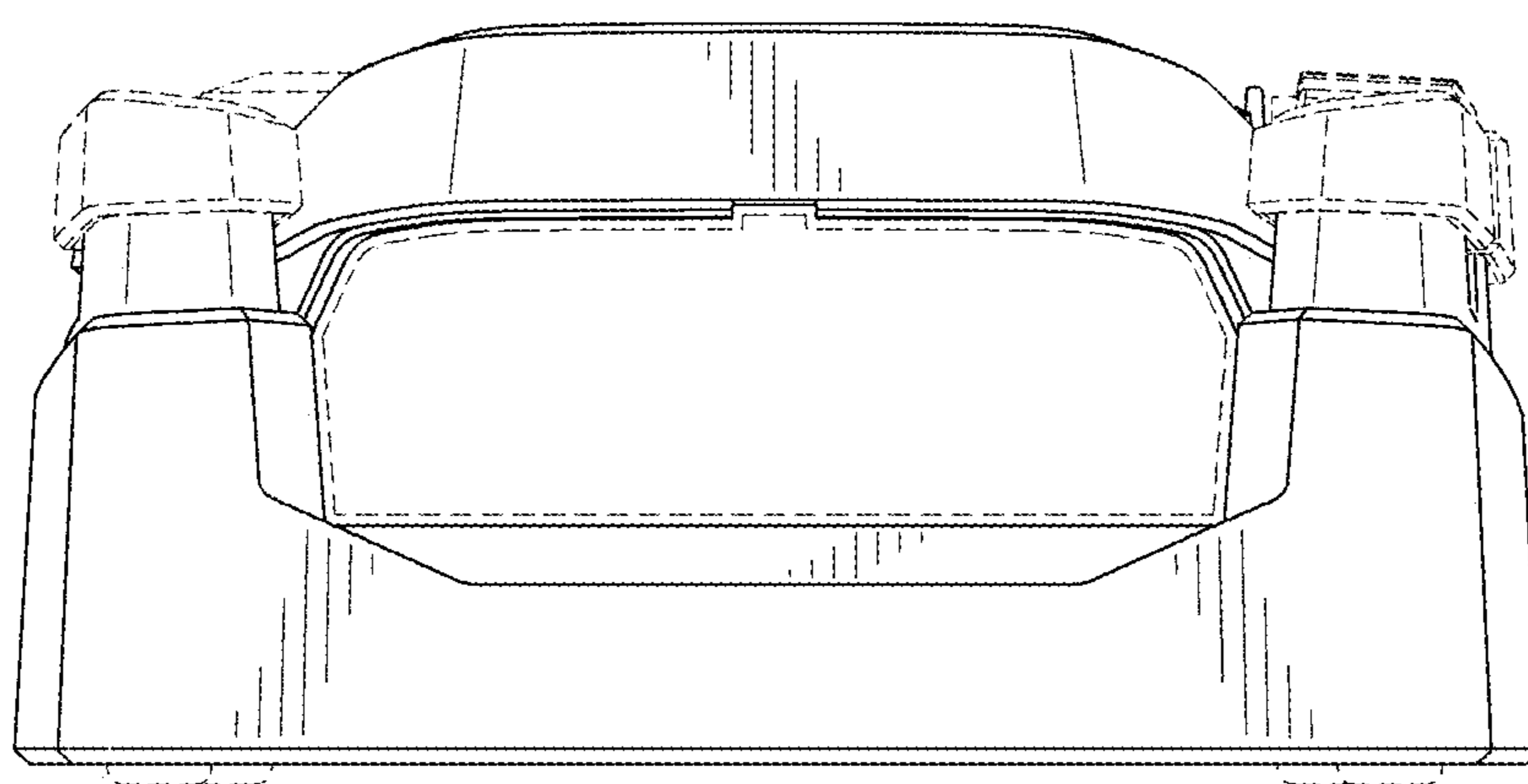


Fig. 8