



US00D905756S

(12) **United States Design Patent** (10) **Patent No.:** **US D905,756 S**
Domke et al. (45) **Date of Patent:** **** Dec. 22, 2020**

(54) **TROLLING MOTOR HOUSING**

FOREIGN PATENT DOCUMENTS

(71) Applicant: **Garmin Switzerland GmbH**,
Schaffhausen (CH)

CA 2359223 A1 * 4/2002 G01S 15/88
CA 2955635 A1 * 7/2017
CA 2999528 A1 * 9/2018 B63H 20/32

(72) Inventors: **Gary J. Domke**, Shawnee, KS (US);
Masahito Cho, Olathe, KS (US); **John B. Whiteside**, Lenexa, KS (US); **Austin W. Ahlgren**, Lenexa, KS (US)

OTHER PUBLICATIONS

(73) Assignee: **Garmin Switzerland GmbH**

Minn Kota Motors, "Freshwater Trolling Motors," <https://minnkotamotors.johnsonoutdoors.com/freshwater-trolling-m...=2.97788383.1947681971.1569959683-525677471.1569959683&jo-page=2>, printed Oct. 2, 2019, published before May 24, 2019.

(**) Term: **15 Years**

(Continued)

(21) Appl. No.: **29/692,388**

Primary Examiner — Ania Aman

(22) Filed: **May 24, 2019**

(74) Attorney, Agent, or Firm — Samuel M. Korte; Max M. Ali

(51) **LOC (12) Cl.** **15-01**

(52) **U.S. Cl.**
USPC **D15/4**

(58) **Field of Classification Search**
USPC D15/4, 5; D12/214
CPC B63H 21/213; B63H 21/00; B63H 21/22;
B63H 20/007; B63H 20/00; B63H 20/10;
B63H 20/12; B63H 25/42
See application file for complete search history.

(57) **CLAIM**

The ornamental design for a trolling motor housing, as shown and described.

(56) **References Cited**

DESCRIPTION

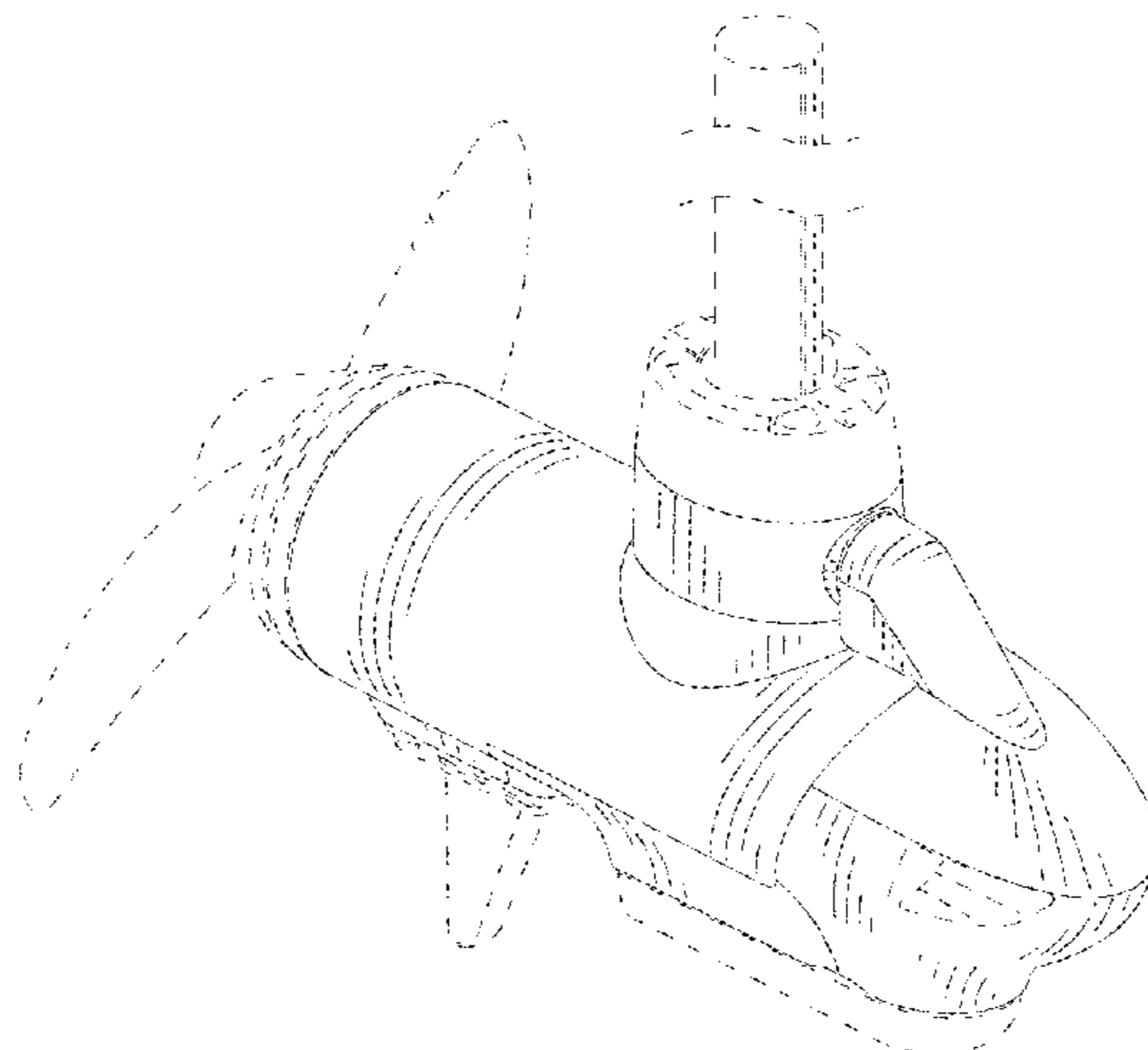
U.S. PATENT DOCUMENTS

4,911,664 A * 3/1990 Gremillion B63H 5/165
416/146 R
5,501,622 A * 3/1996 Phelan B63H 5/165
416/247 A
5,807,150 A * 9/1998 Minter, Sr. B63H 5/165
416/146 R
D462,078 S * 8/2002 Hansen D15/4
D655,308 S * 3/2012 Steinberg D15/4
9,296,454 B1 * 3/2016 Lucarelli B63H 5/165
10,351,220 B1 * 7/2019 Witte B63H 20/32
2002/0044500 A1 * 4/2002 Hansen G01S 15/88
367/173
2009/0191773 A1 * 7/2009 Lloyd B63H 21/305
440/52
2015/0298782 A1 * 10/2015 Bernloehr B63H 20/007
440/6

FIG. 1 is a front perspective view of a trolling motor housing according to the present invention;
FIG. 2 is a rear perspective view of the trolling motor housing;
FIG. 3 is a top view of the trolling motor housing;
FIG. 4 is a front view of the trolling motor housing;
FIG. 5 is a bottom view of the trolling motor housing;
FIG. 6 is a rear view of the trolling motor housing;
FIG. 7 is a left side view of the trolling motor housing; and,
FIG. 8 is a right side view of the trolling motor housing.
The broken lines shown in the drawings represent portions of the trolling motor housing that form no part of the claimed design.

(Continued)

1 Claim, 8 Drawing Sheets



(56)

References Cited

U.S. PATENT DOCUMENTS

2017/0210455 A1* 7/2017 Bernloehr B63H 20/06
2018/0273151 A1* 9/2018 Manning, Sr. B63H 5/165
2018/0281914 A1* 10/2018 Burton B63H 20/32

OTHER PUBLICATIONS

West Marine, "Motorguide Trolling Motors," <https://www.westmarine.com/trolling-motors/motorguide>, printed Oct. 2, 2019, published before May 24, 2019.

Wikipedia, "Trolling Motor," https://en.wikipedia.org/wiki/Trolling_motor, printed Oct. 2, 2019, published before May 24, 2019.

* cited by examiner

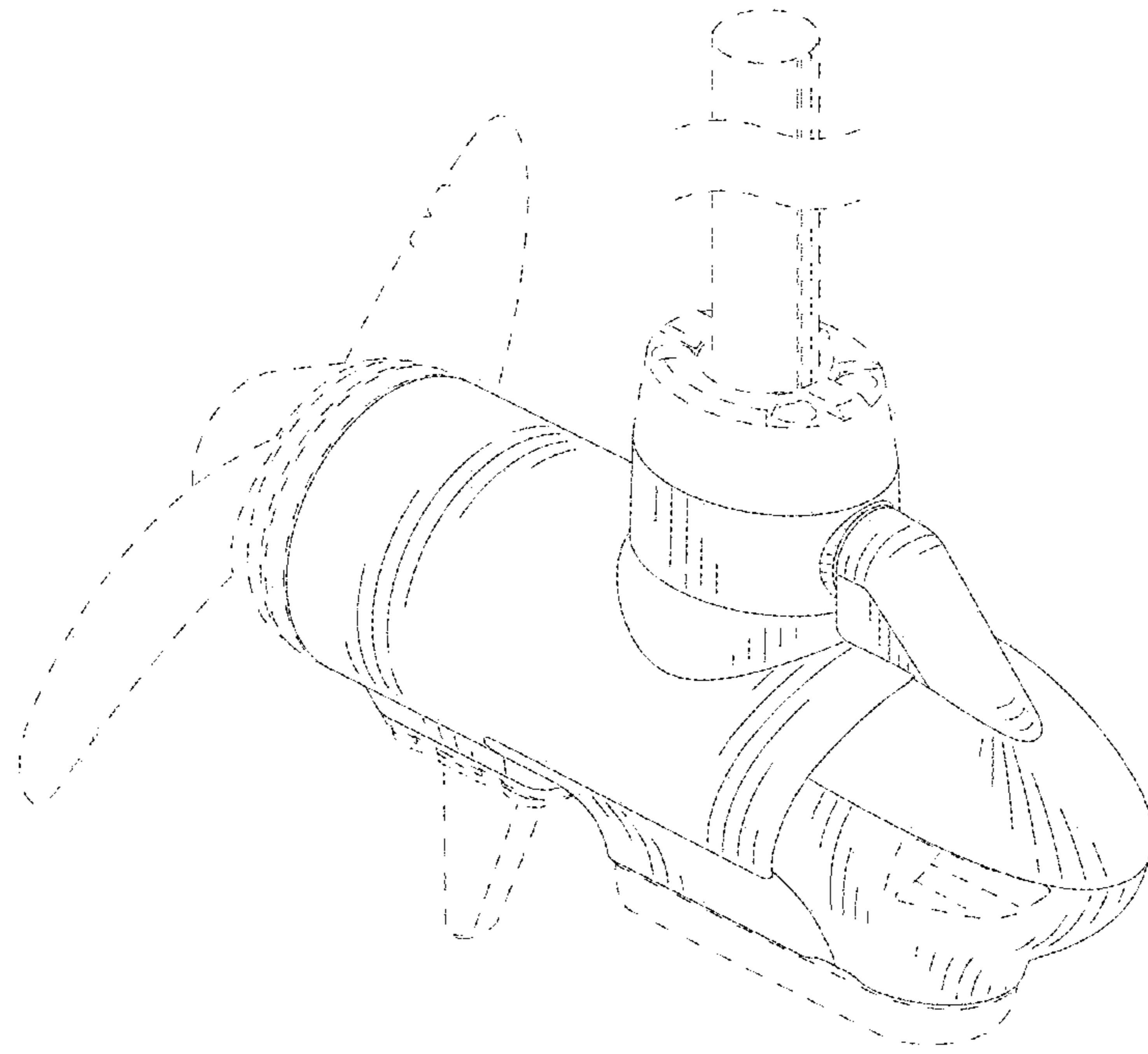


Fig. 1

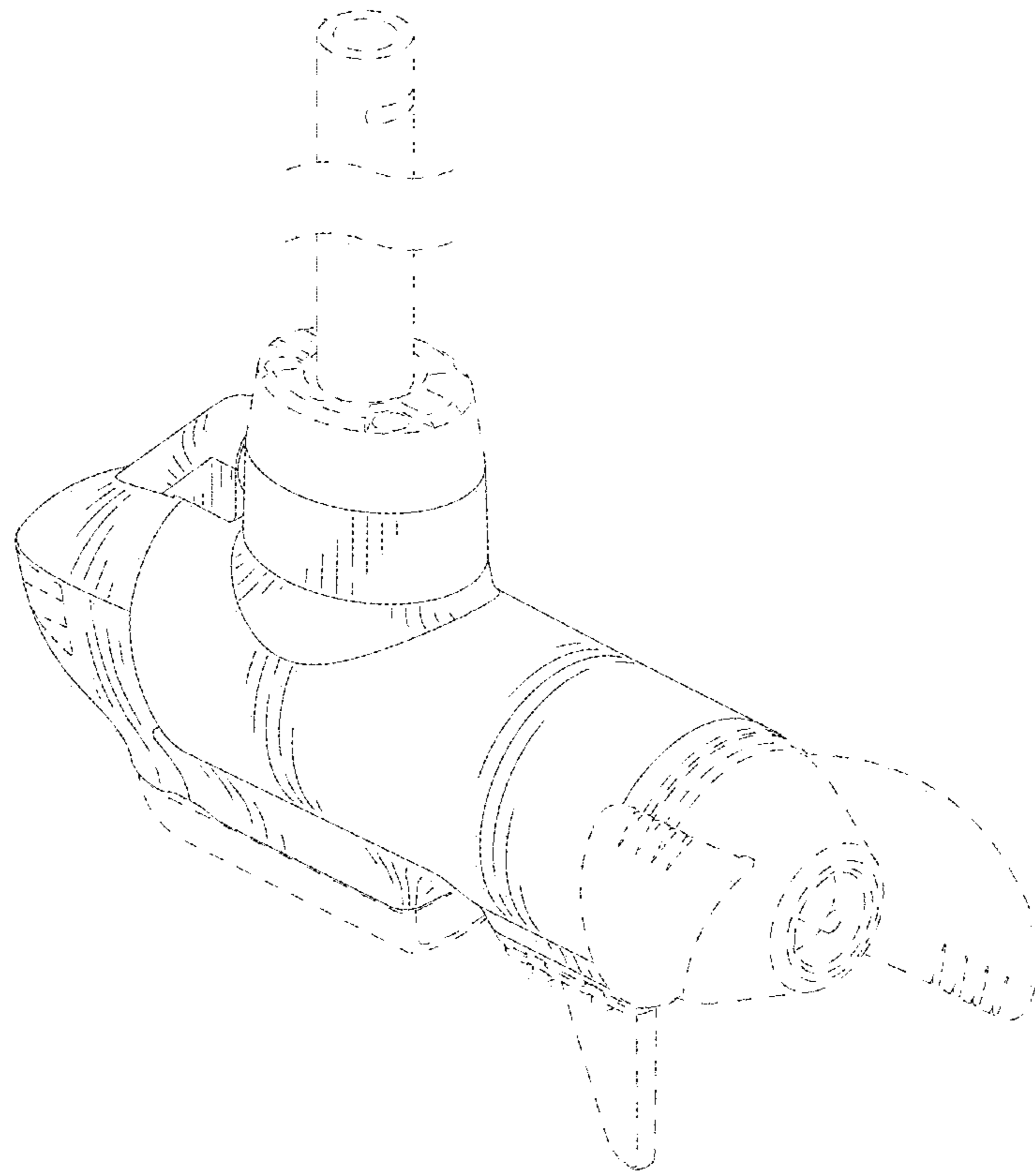


Fig. 2

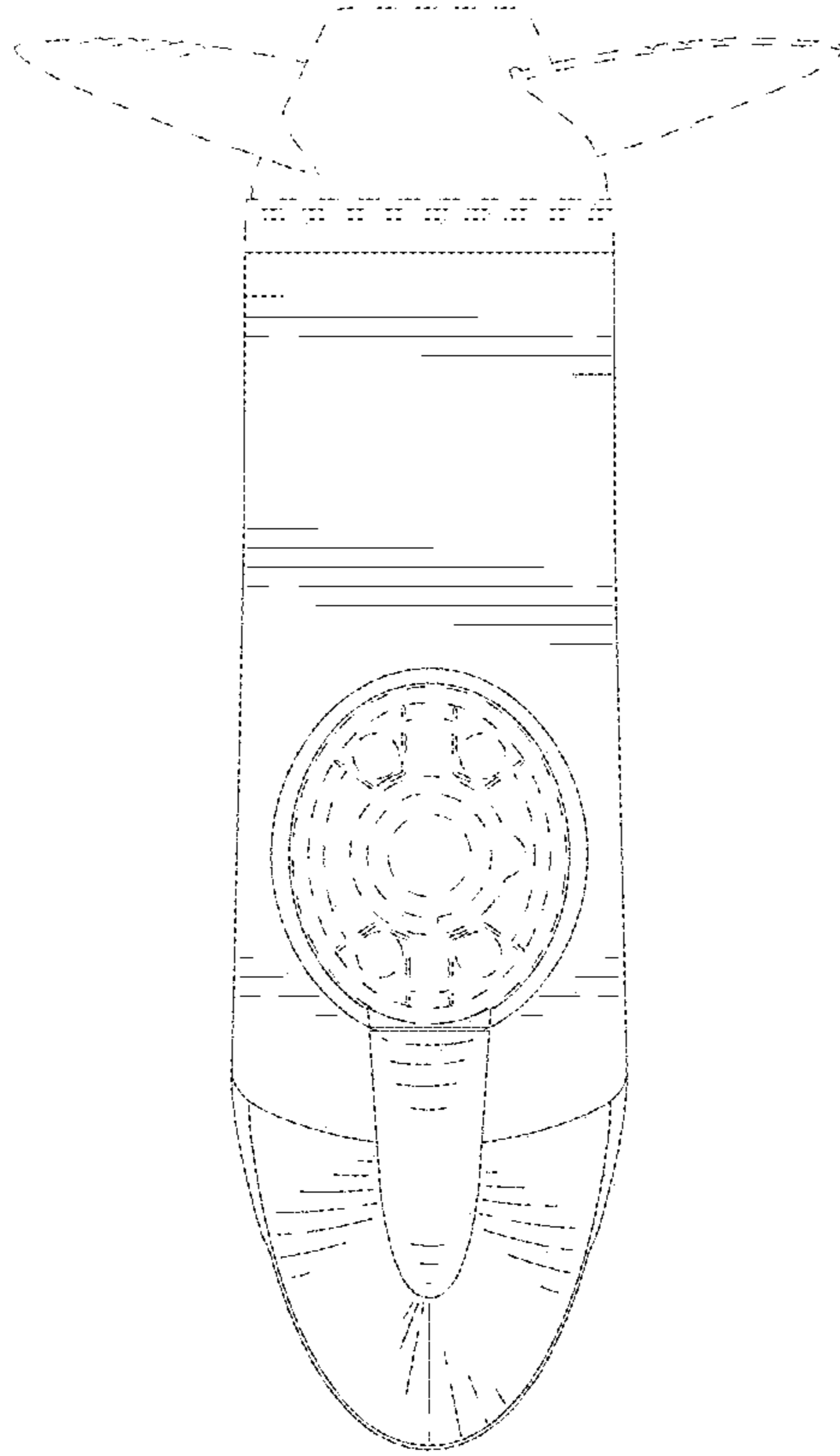


Fig. 3

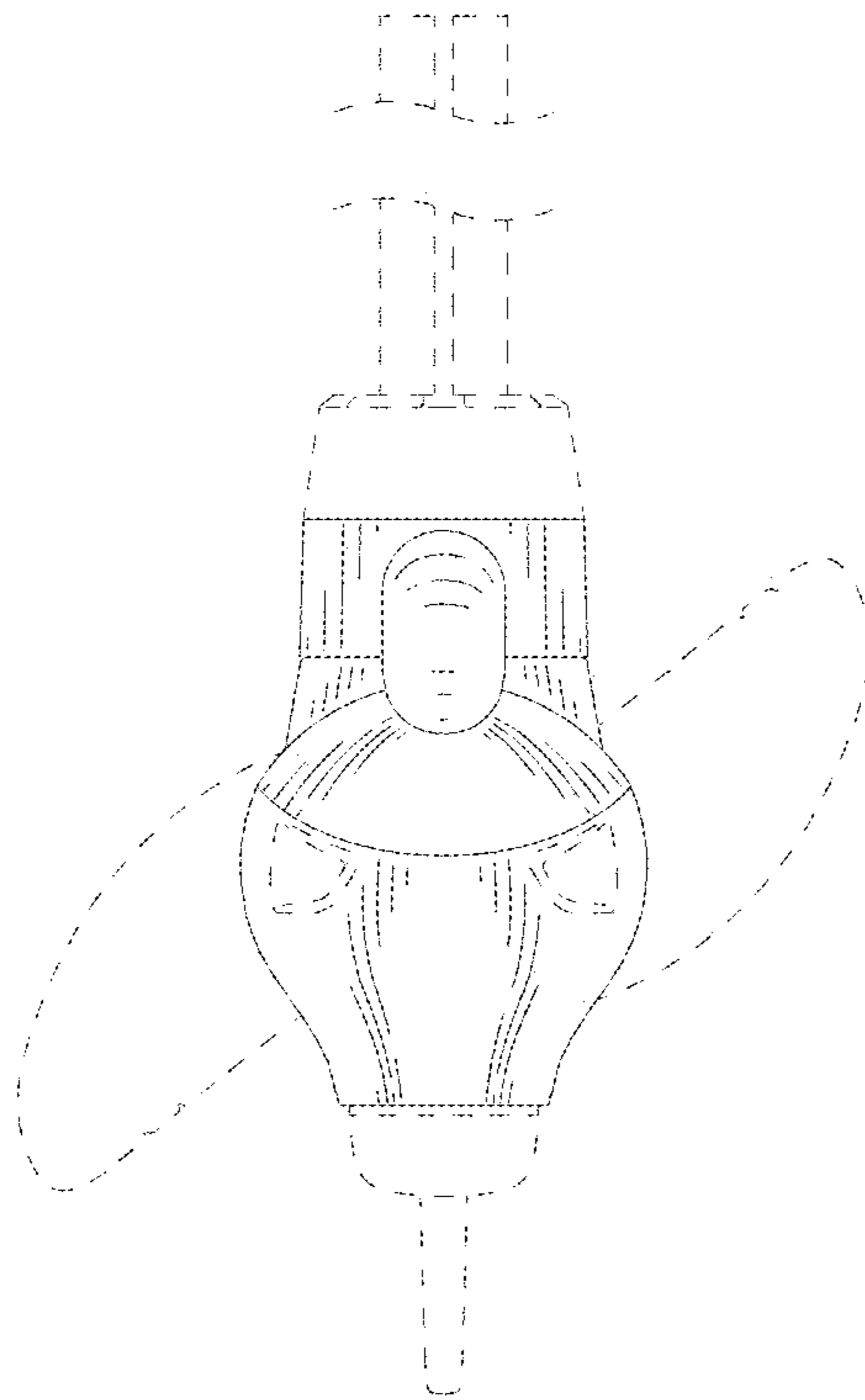


Fig. 4

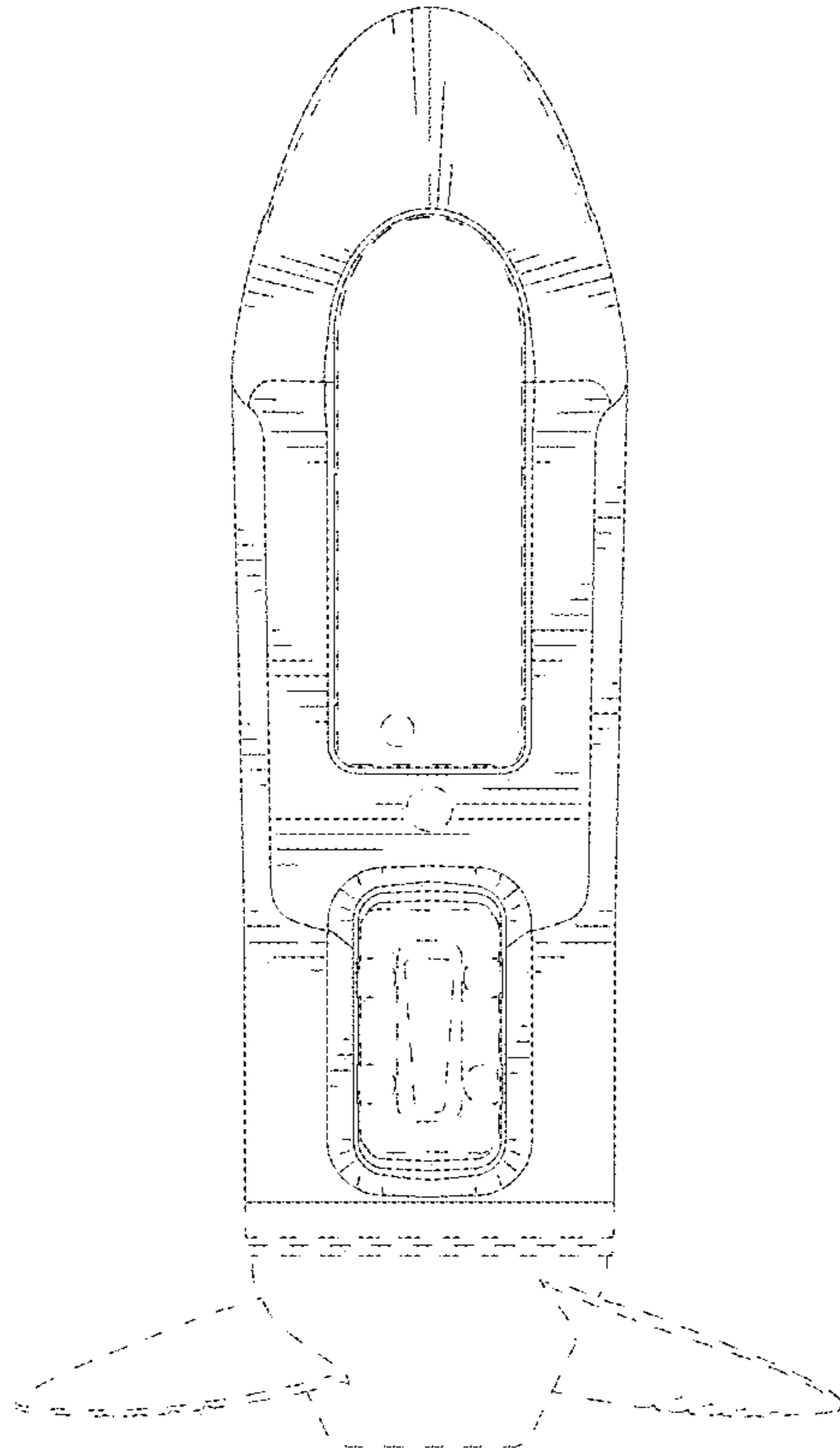


Fig. 5

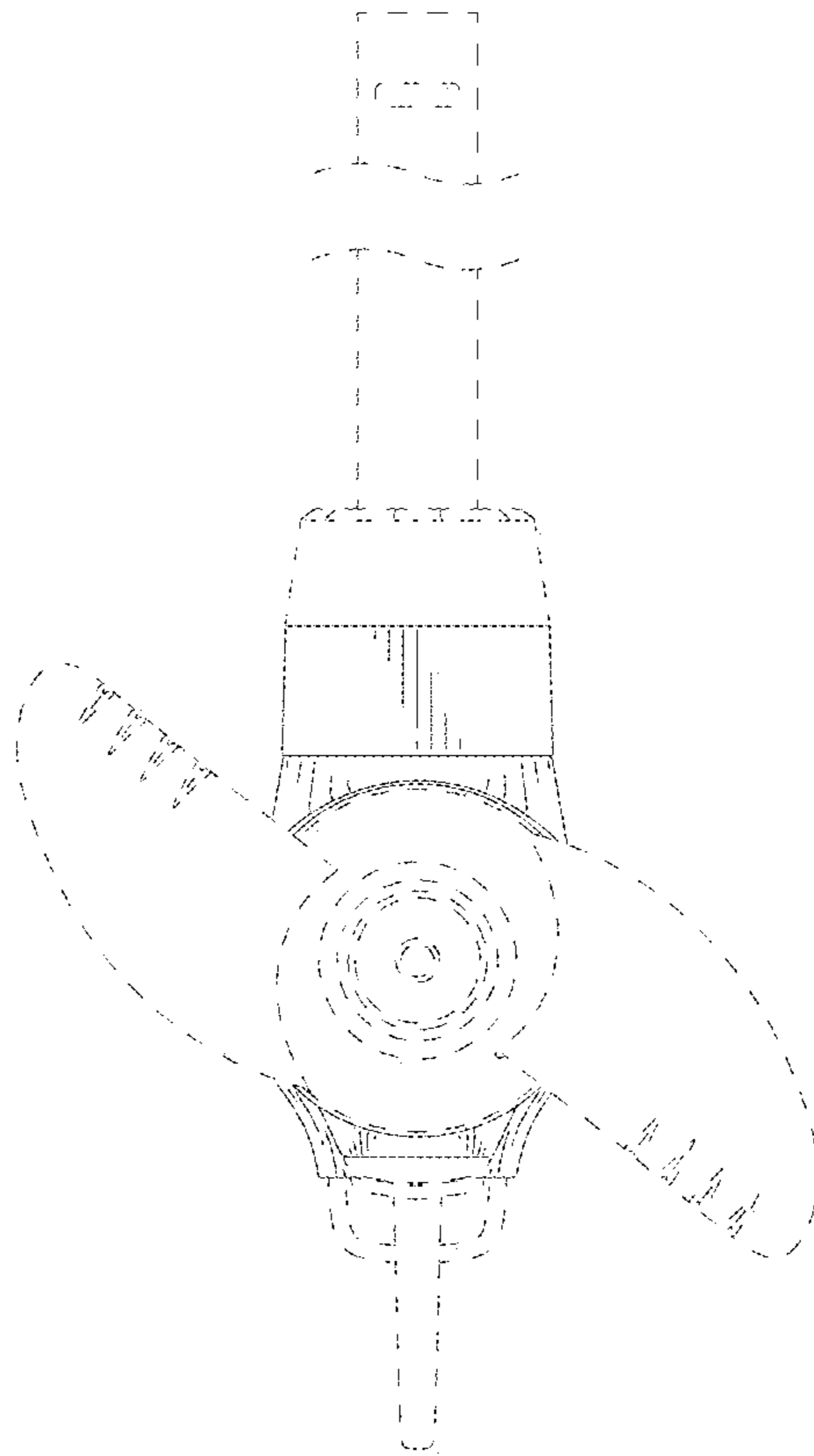


Fig. 6

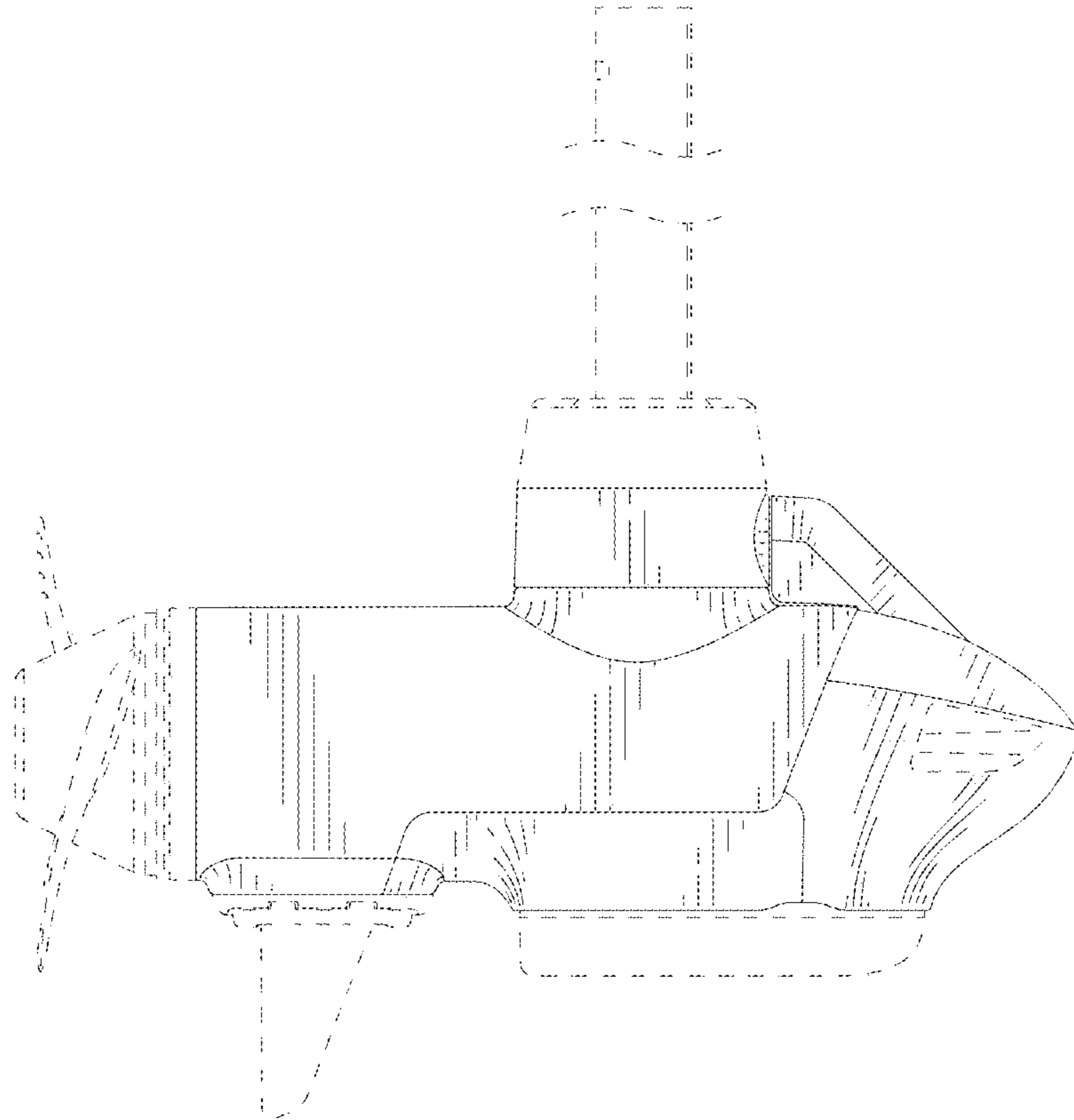


Fig. 7

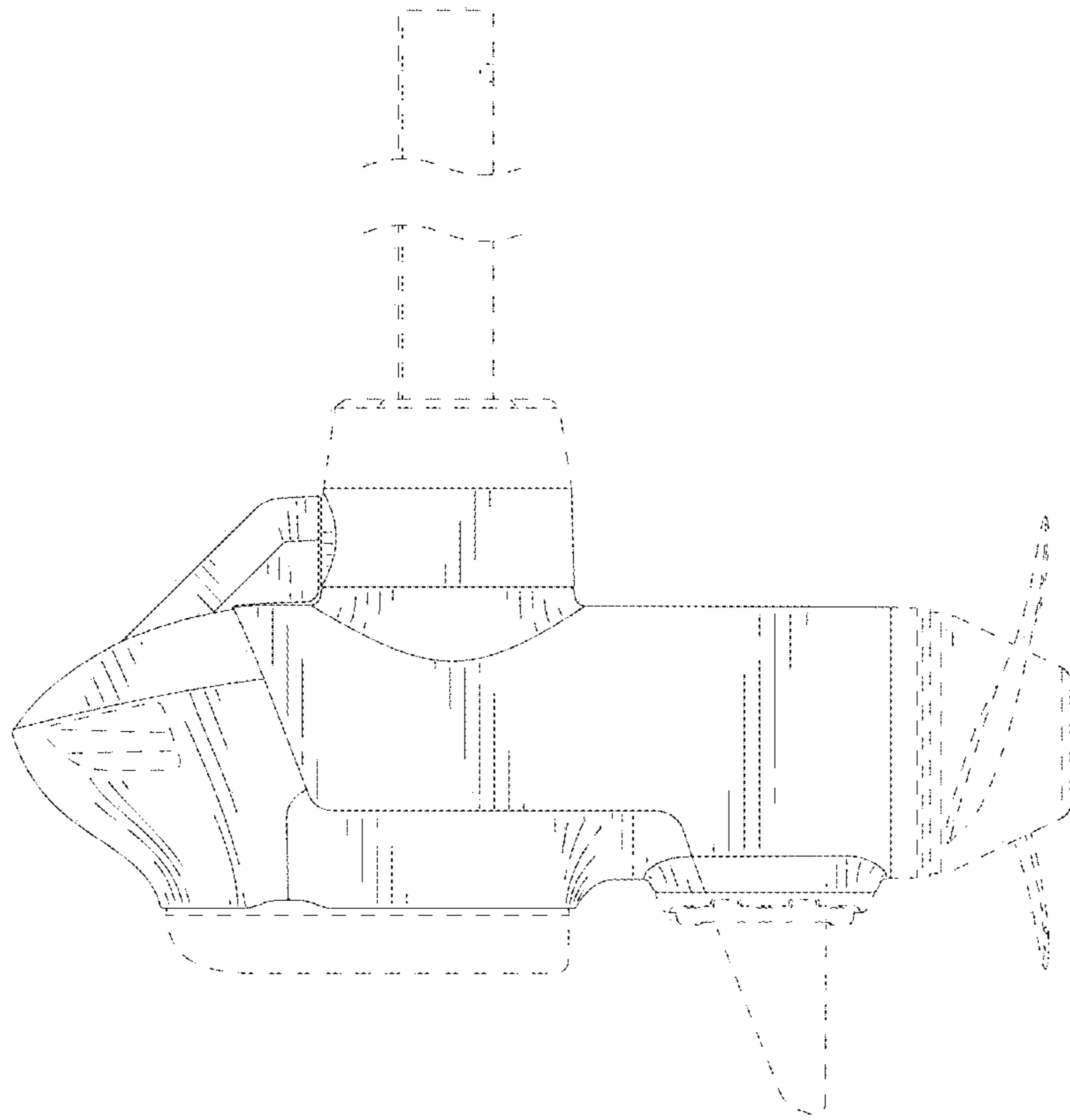


Fig. 8