



US00D905744S

(12) **United States Design Patent**  
**Kim et al.**

(10) **Patent No.:** **US D905,744 S**

(45) **Date of Patent:** **\*\* Dec. 22, 2020**

(54) **DISPLAY SCREEN OR PORTION THEREOF WITH ICON**

(71) Applicant: **Samsung Electronics Co., Ltd.**,  
Suwon-si (KR)

(72) Inventors: **Young Sun Kim**, Suwon-si (KR);  
**Hyun Soo Yuk**, Suwon-si (KR); **Heui Jin Kwon**,  
Suwon-si (KR); **Hae In Lee**, Suwon-si (KR)

(73) Assignee: **Samsung Electronics Co., Ltd.**,  
Suwon-si (KR)

(\*\*) Term: **15 Years**

(21) Appl. No.: **29/687,811**

(22) Filed: **Apr. 16, 2019**

(30) **Foreign Application Priority Data**

Feb. 7, 2019 (KR) ..... 30-2019-0005539

(51) **LOC (12) Cl.** ..... **14-04**

(52) **U.S. Cl.**  
USPC ..... **D14/489**

(58) **Field of Classification Search**  
USPC ..... D14/485-495; D20/11; D21/324, 325  
CPC .... G06F 3/048; G06F 3/0481; G06F 3/04817;  
G06F 3/0482; G06F 3/0483; G06F  
3/04842; G06F 3/0485; G06F 3/04855;  
G06F 3/0486; G06F 3/0488; G06F  
3/04886; G06F 9/4443; G06F 17/211;  
G06F 17/212

See application file for complete search history.

(56) **References Cited**

**U.S. PATENT DOCUMENTS**

D593,571 S \* 6/2009 Ball ..... D14/485  
D695,309 S \* 12/2013 Lee ..... D14/491  
D711,392 S \* 8/2014 Campiranon ..... D14/485

D738,915 S \* 9/2015 Park ..... D14/492  
D745,889 S \* 12/2015 Jung ..... D14/492  
D755,840 S \* 5/2016 Odemchuk ..... D14/489  
D762,220 S \* 7/2016 Oh ..... D14/485  
D764,541 S \* 8/2016 Huang ..... D14/489

(Continued)

**FOREIGN PATENT DOCUMENTS**

CN 2017301106830 12/2017  
CN 2017304103124 5/2018

(Continued)

**OTHER PUBLICATIONS**

“Architecture, design, shape, square icon” May 14, 2016, posted at  
iconfinder.com, [site visited Aug. 25, 2020]. [https://www.iconfinder.com/icons/1163290/architecture\\_design\\_shape\\_square\\_icon](https://www.iconfinder.com/icons/1163290/architecture_design_shape_square_icon) (Year:  
2016).\*

(Continued)

*Primary Examiner* — John M Otte

(74) *Attorney, Agent, or Firm* — NSIP Law

(57) **CLAIM**

We claim the ornamental design for a display screen or  
portion thereof with icon, as shown and described.

**DESCRIPTION**

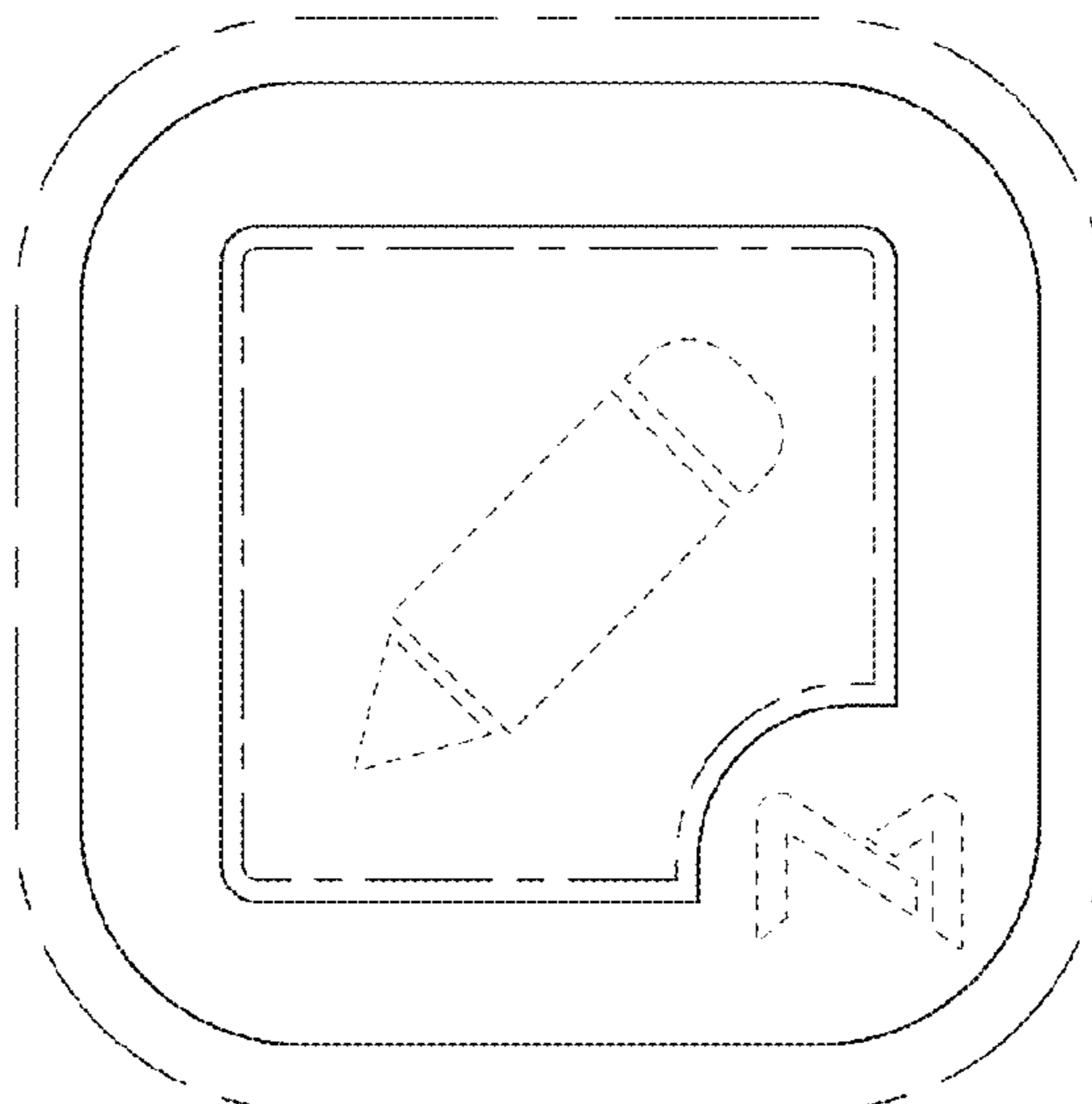
FIG. 1 is a front view of a display screen or portion thereof  
with icon showing our new design; and,  
FIG. 2 is an enlarged view of the encircled portion in FIG.  
1.

The outermost pair of dash-dash broken lines depict a  
display screen or portion thereof that forms no part of the  
claimed design.

The remaining dash-dash broken lines depict portions of the  
icon which form no part of the claimed design.

The dot-dash broken lines in the drawings represent a  
boundary of the claimed design and form no part thereof.

**1 Claim, 2 Drawing Sheets**



(56)

**References Cited**

U.S. PATENT DOCUMENTS

D785,045 S \* 4/2017 Coffinan ..... D14/492  
D798,334 S \* 9/2017 Dye ..... D14/489  
D846,593 S \* 4/2019 Anzures ..... D14/489  
2003/0142120 A1\* 7/2003 Nii ..... G06F 3/0486  
715/700  
2017/0010794 A1\* 1/2017 Cho ..... G06F 3/04817

FOREIGN PATENT DOCUMENTS

EM 002447409-0001 4/2014  
JP D1550365 5/2016  
WO DM/096 984 4/2017

OTHER PUBLICATIONS

Spiegel, Michael, "Dynamic Icons in Sketch" May 16, 2017, posted at uxdesign.cc, [site visited Aug. 25, 2020]. <https://uxdesign.cc/dynamic-icons-in-sketch-29463c946434> (Year: 2017).\*

Kirma, Andrejs, "Circle, overlay, shapes, square icon" Jan. 28, 2019, posted at iconfinder.com, [site visited Aug. 25, 2020]. [https://www.iconfinder.com/icons/4169132/circle\\_overlay\\_shapes\\_square\\_icon](https://www.iconfinder.com/icons/4169132/circle_overlay_shapes_square_icon) (Year: 2019).\*

\* cited by examiner

FIG. 1

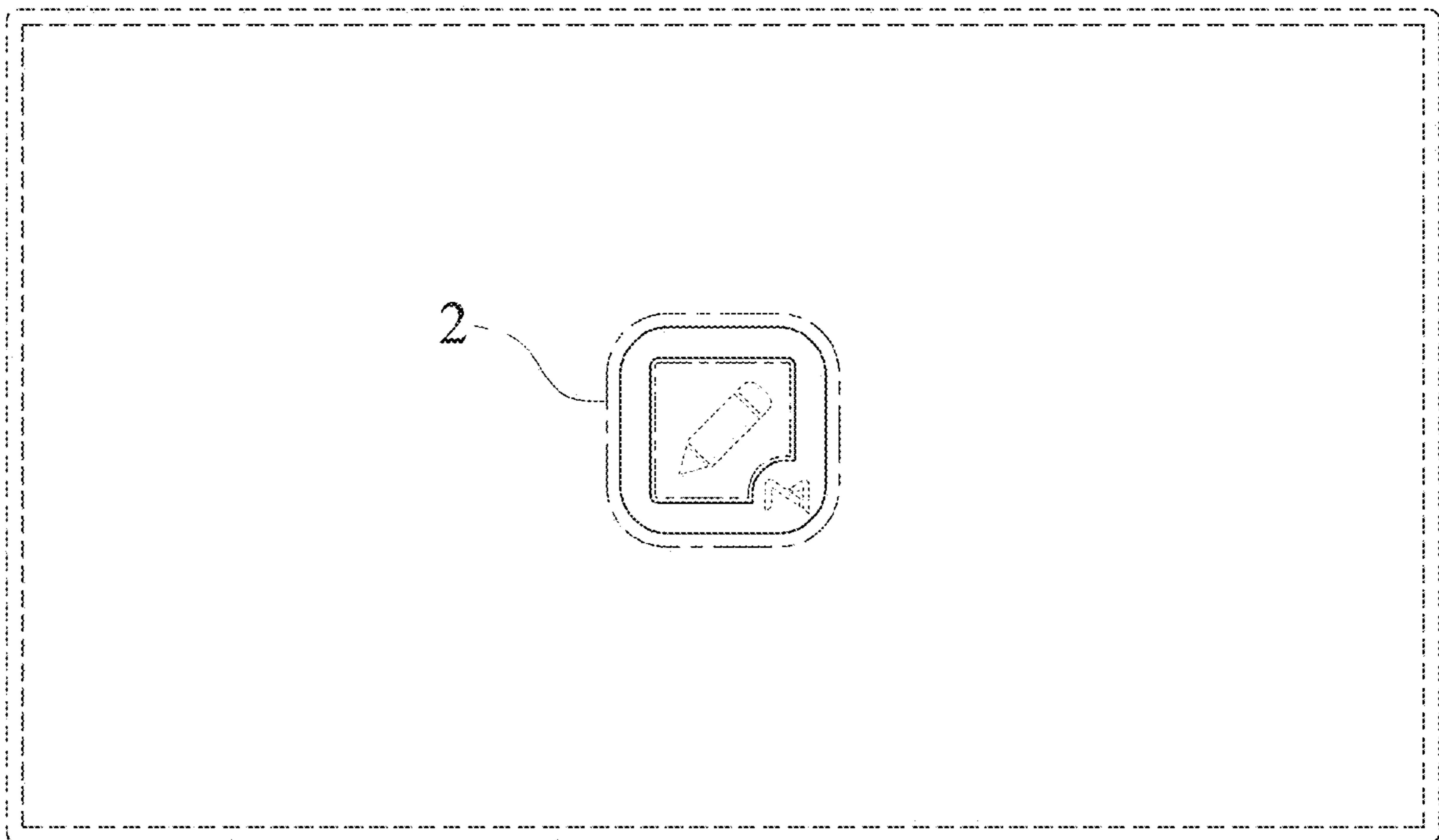


FIG. 2

