



US00D905730S

(12) **United States Design Patent** (10) **Patent No.:** **US D905,730 S**
Newsom (45) **Date of Patent:** **** Dec. 22, 2020**

(54) **DISPLAY SCREEN WITH GRAPHICAL USER INTERFACE**

(71) Applicant: **Allstate Insurance Company,**
Northbrook, IL (US)

(72) Inventor: **Thomas Newsom,** Oak Park, IL (US)

(73) Assignee: **Allstate Insurance Company,**
Northbrook, IL (US)

(**) Term: **15 Years**

(21) Appl. No.: **29/665,491**

(22) Filed: **Oct. 3, 2018**

(51) **LOC (12) Cl.** **14-04**

(52) **U.S. Cl.**
USPC **D14/487**

(58) **Field of Classification Search**
USPC D14/485-495
CPC G06F 3/048; G06F 3/0481; G06F 3/04812;
G06F 3/04815; G06F 3/04817; G06F
3/0482; G06F 3/0483; G06F 3/0484;
G06F 3/04842; G06F 3/04845; G06F
3/04847; G06F 3/0485; G06F 3/04855;
G06F 3/0486; G06F 3/0487; G06F
3/0488; G06F 3/04883; G06F 3/04886;
H04N 1/00424

See application file for complete search history.

(56) **References Cited**

U.S. PATENT DOCUMENTS

D587,725 S	3/2009	Krieter et al.	
D712,920 S *	9/2014	Sloo	D14/487
D732,062 S *	6/2015	Kwon	D14/487
D733,740 S *	7/2015	Lee	D14/487
D733,741 S *	7/2015	Lee	D14/487
D755,827 S *	5/2016	Anzures	D14/486
D781,339 S *	3/2017	Li	D14/487
D781,877 S *	3/2017	Ko	D14/485

D782,506 S *	3/2017	Kim	D14/485
D783,031 S *	4/2017	Kim	D14/485
D784,360 S *	4/2017	Harder	D14/485
D790,586 S *	6/2017	Gopalan	D14/487
D791,165 S *	7/2017	Modestine	D14/487
D791,166 S *	7/2017	Sandhu	D14/487
D794,669 S *	8/2017	Baker	D14/482
D797,138 S *	9/2017	Reiter	D14/487
D798,309 S *	9/2017	Rickes	D14/485
D806,716 S *	1/2018	Pahwa	D14/485
D807,379 S *	1/2018	Pahwa	D14/485
D826,952 S *	8/2018	Duriseti	D14/485
D826,956 S *	8/2018	Pillalamarri	D14/485
D830,407 S *	10/2018	Kisielius	D14/487
D831,060 S *	10/2018	Bachman	D14/486
D839,896 S *	2/2019	Kuscher	D14/486
D841,028 S *	2/2019	Judge	D14/486
D845,965 S *	4/2019	Kim	D14/485
D846,566 S *	4/2019	Kim	D14/485

(Continued)

Primary Examiner — Bao-Yen T Nguyen

(74) *Attorney, Agent, or Firm* — Banner & Witcoff, Ltd.

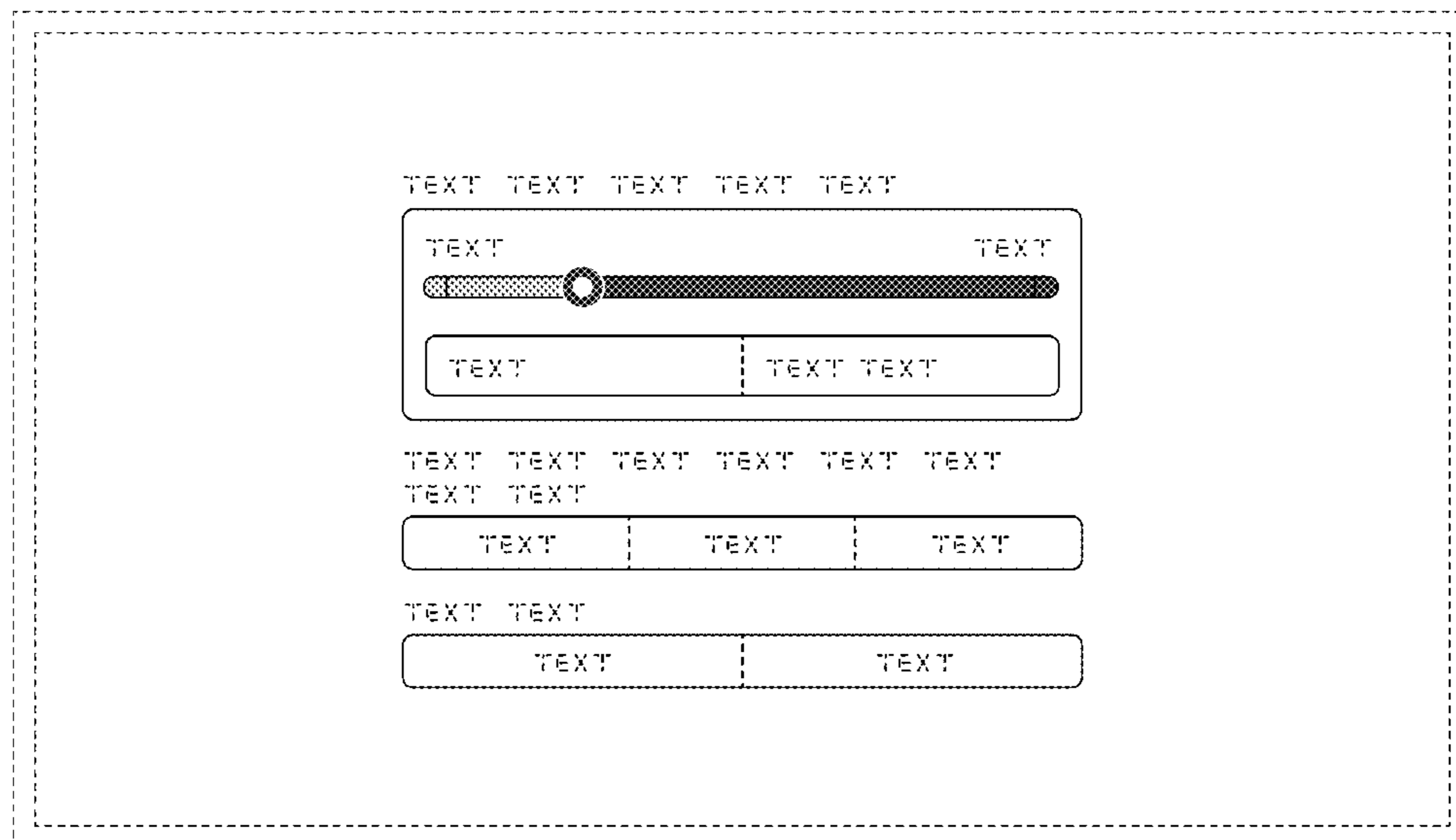
(57) **CLAIM**

The ornamental design for a display screen with graphical user interface, as shown and described.

DESCRIPTION

FIG. 1 is a front view of a display screen with graphical user interface showing my new design; FIG. 2 is a front view of a display screen with graphical user interface showing an alternative embodiment; and, FIG. 3 is a front view of a display screen with graphical user interface showing another alternative embodiment. The broken lines illustrate the display screen and form no part of the claimed design. The broken lines illustrate portions of the graphical user interface and form no part of the claimed design. The broken lines illustrate text and form no part of the claimed design. The difference in shading indicates a contrast of appearance and does not depict any particular color, texture, or material.

1 Claim, 3 Drawing Sheets



(56)

References Cited

U.S. PATENT DOCUMENTS

D847,829	S	*	5/2019	Kim	D14/485
D855,069	S	*	7/2019	Shimomura	D14/487
D857,733	S	*	8/2019	Kuscher	D14/486
D860,231	S	*	9/2019	Hussain	D14/486
D861,708	S	*	10/2019	Gibson	D14/485
D871,431	S	*	12/2019	Cullum	D14/486
2013/0325154	A1	*	12/2013	Oh	G11B 27/28 700/94

* cited by examiner

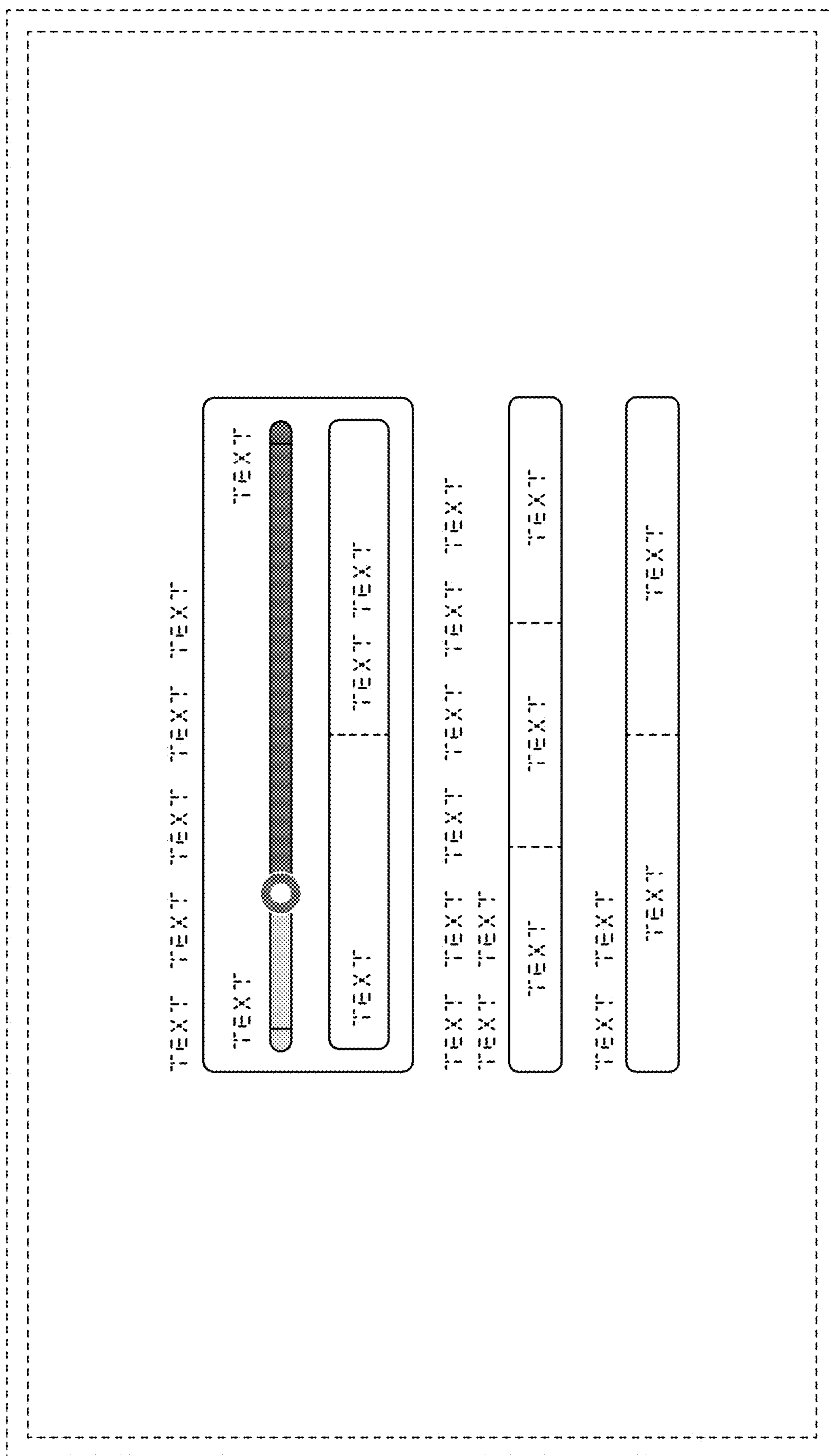


FIG. 1

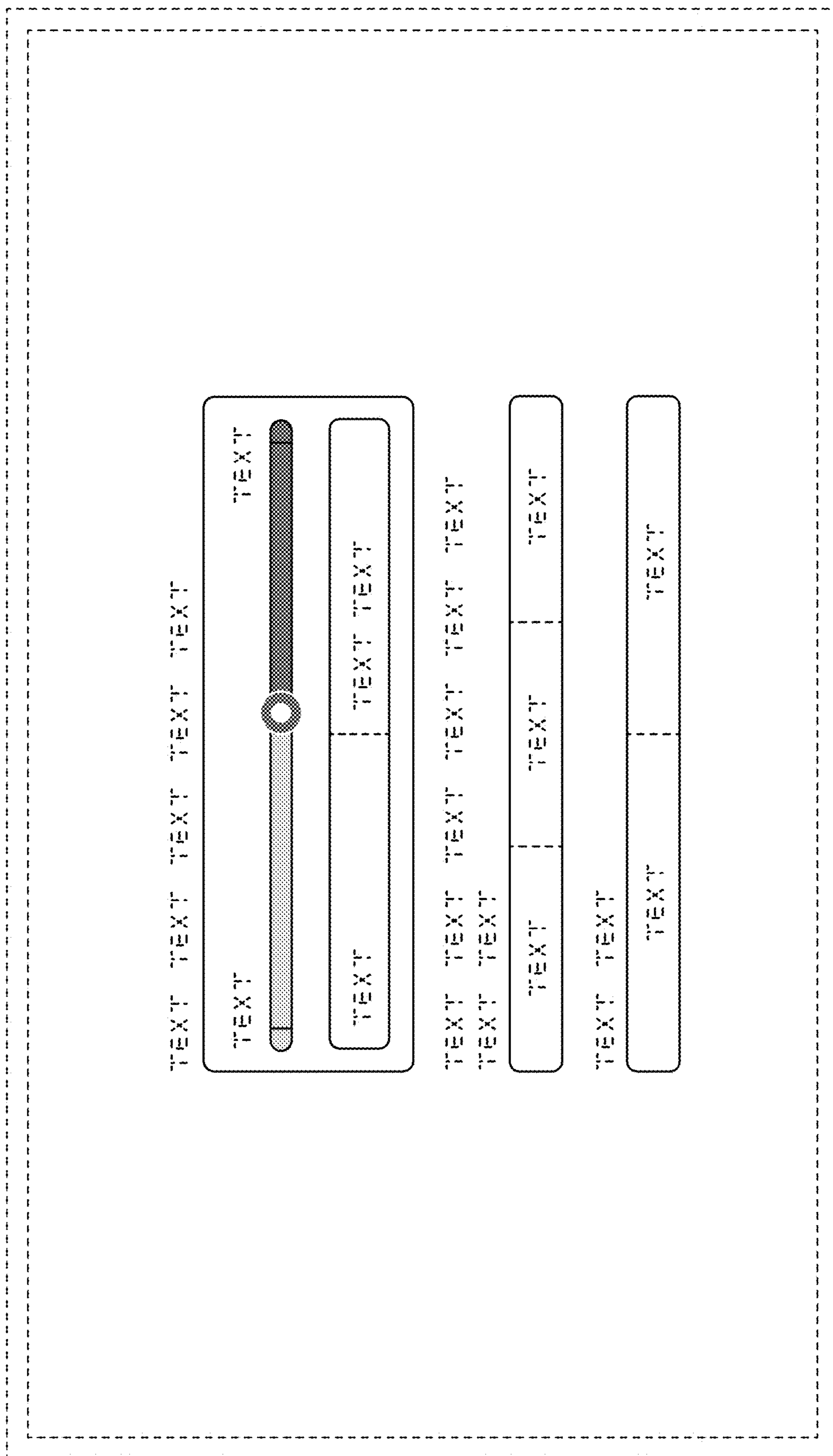


FIG. 2

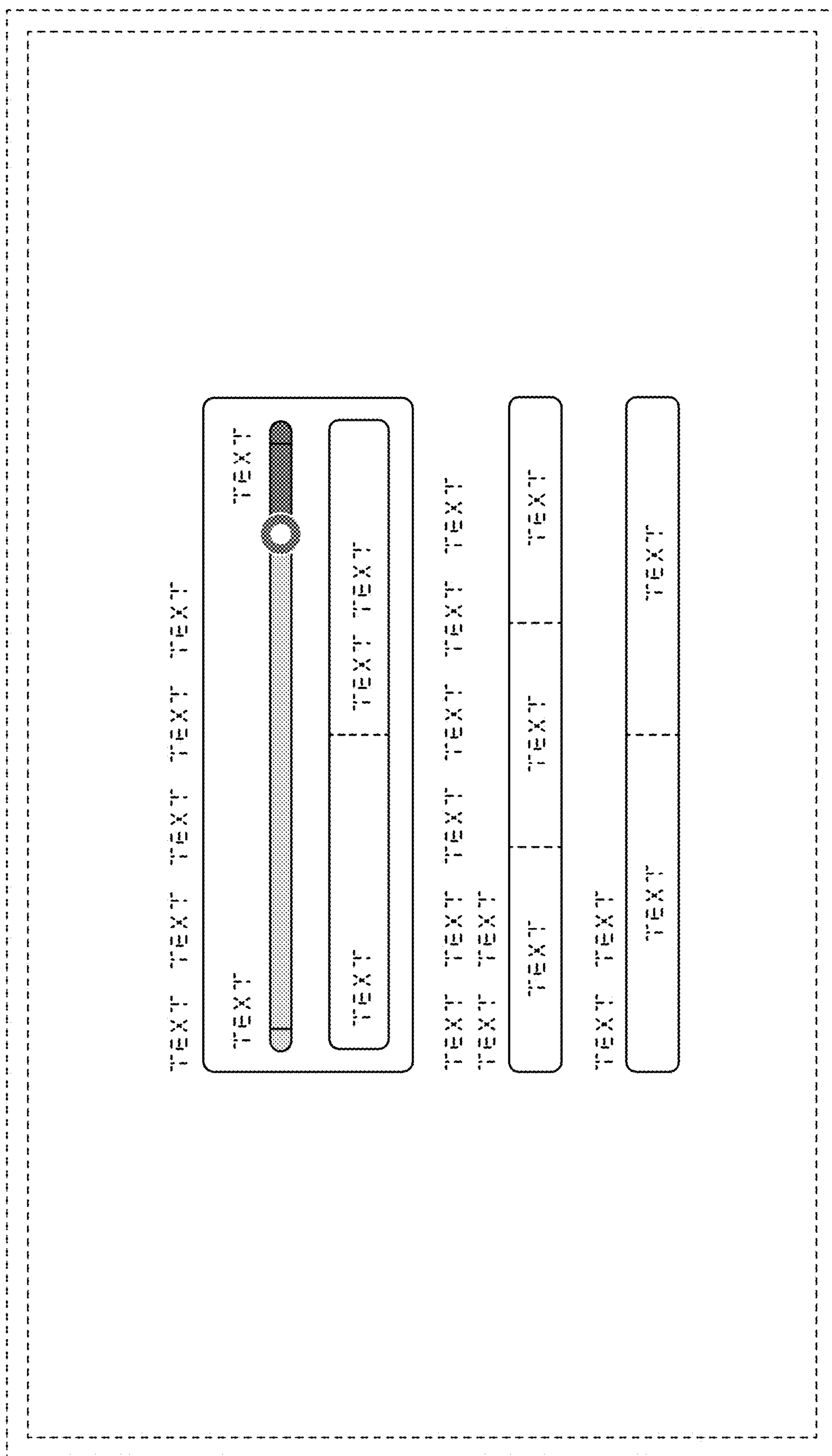


FIG. 3