



US00D905711S

(12) **United States Design Patent** (10) **Patent No.:** **US D905,711 S**
Chitalia et al. (45) **Date of Patent:** **** Dec. 22, 2020**

- (54) **DISPLAY SCREEN WITH ANIMATED GRAPHICAL USER INTERFACE**
- (71) Applicant: **Juniper Networks, Inc.**, Sunnyvale, CA (US)
- (72) Inventors: **Harshit Naresh Chitalia**, Mountain View, CA (US); **Avi K. Patel**, San Jose, CA (US); **Parantap Roy**, Mountain View, CA (US); **Travis Gregory Newhouse**, Encinitas, CA (US); **Sumeet Singh**, Saratoga, CA (US)
- (73) Assignee: **Juniper Networks, Inc.**, Sunnyvale, CA (US)
- (**) Term: **15 Years**
- (21) Appl. No.: **29/737,345**
- (22) Filed: **Jun. 8, 2020**

RE36,707	E *	5/2000	Papanicolaou	H04L 12/2801	348/14.04
6,137,499	A *	10/2000	Tesler	G06T 11/206	345/440
6,564,217	B2 *	5/2003	Bunney	H04L 67/42	
7,913,177	B1 *	3/2011	Smith	G06F 9/44526	715/762
8,004,525	B2 *	8/2011	Brinkmann	G06T 11/206	345/440
D681,656	S *	5/2013	Lawrence	D14/486	
D691,158	S *	10/2013	Ramesh	D14/486	
D691,626	S	10/2013	Philopoulos		
D693,831	S *	11/2013	Edwards	D14/485	
D716,332	S *	10/2014	Chotin	D14/486	
D731,510	S	6/2015	Kiruluta et al.		
9,075,515	B2 *	7/2015	Hong	G06F 3/0488	
D740,842	S *	10/2015	Liu	D14/486	
9,153,078	B2 *	10/2015	Fish	G06F 3/048	
D744,507	S	12/2015	Fujioka		
D748,126	S *	1/2016	Sarukkai	D14/486	
D750,120	S	2/2016	Kovacevic et al.		
D751,086	S	3/2016	Winther et al.		
D752,616	S *	3/2016	Kouvas	D14/486	
D753,167	S	4/2016	Yu et al.		
D753,168	S	4/2016	Chan et al.		
D756,371	S *	5/2016	Bertnick	D14/485	
D757,070	S	5/2016	Dziuba		
D757,071	S *	5/2016	Kouvas	D14/486	
D760,237	S	6/2016	Sabadash et al.		
D760,261	S	6/2016	Yu et al.		
D761,828	S	7/2016	Koeten et al.		
D763,890	S	8/2016	Pan		
D764,506	S	8/2016	Rathke et al.		
D765,120	S *	8/2016	Kim	D14/486	
D766,295	S	9/2016	Smith		
D767,600	S	9/2016	Dias et al.		
D767,609	S	9/2016	Mehrzad		
D768,169	S	10/2016	Binder et al.		
D768,183	S	10/2016	Steplyk et al.		
D770,503	S	11/2016	Wise		
D774,534	S *	12/2016	Takahashi	D14/486	
D775,635	S *	1/2017	Raji	D14/485	
D777,759	S	1/2017	LaBorde		
D779,514	S	2/2017	Baris et al.		
D780,203	S *	2/2017	Bray	D14/486	
D780,213	S *	2/2017	Hotchkiss	D14/488	
D781,302	S *	3/2017	Baguley	D14/485	
D781,320	S *	3/2017	Deshpande	D14/486	
D781,325	S	3/2017	Perry et al.		
D788,128	S	5/2017	Wada		
9,641,435	B1 *	5/2017	Sivaramakrishnan	H04L 69/166	
D792,421	S *	7/2017	Day, II	D14/485	

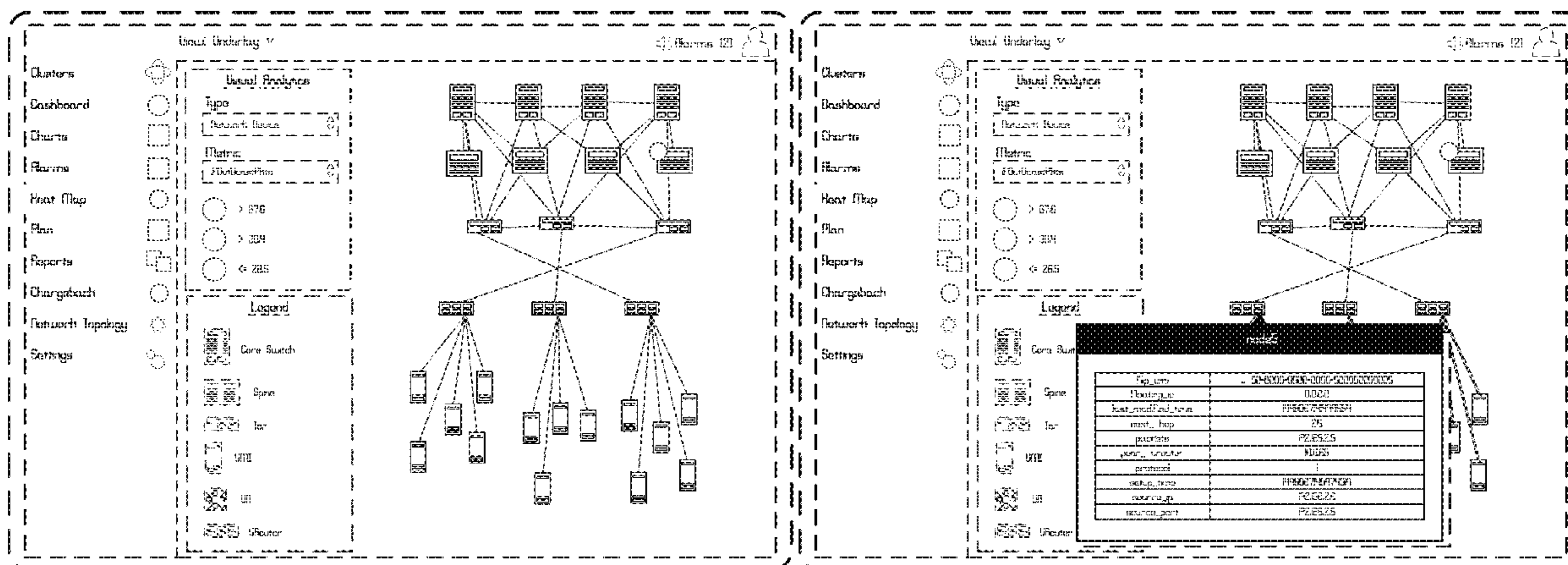
Related U.S. Application Data

- (60) Division of application No. 29/642,650, filed on Mar. 30, 2018, now Pat. No. Des. 886,834, which is a continuation of application No. 15/637,686, filed on Jun. 29, 2017, now Pat. No. 10,673,714.
- (51) **LOC (12) Cl.** **14-04**
- (52) **U.S. Cl.**
USPC **D14/485**
- (58) **Field of Classification Search**
USPC D14/485-495
CPC G06F 17/211; G06F 17/212; G06F 3/1251;
G06F 3/0481; G06F 2203/04807
See application file for complete search history.

References Cited

U.S. PATENT DOCUMENTS

5,444,837	A *	8/1995	Bomans	G05D 1/0055	345/440
5,515,487	A *	5/1996	Beudet	G06T 11/206	345/440



D799,537 S 10/2017 Lalor et al.
D801,989 S 11/2017 Iketsuki et al.
D803,231 S 11/2017 Guinness et al.
D803,847 S 11/2017 Wu et al.
D805,535 S * 12/2017 Danielyan D14/486
D808,978 S * 1/2018 Hazam D14/485
D809,544 S * 2/2018 Ambielli B33Y 40/00
D14/486
D809,560 S * 2/2018 Alfonzo D14/492
D810,100 S 2/2018 Govindan Sankar Selvan et al.
D810,109 S * 2/2018 Makowski D14/486
D810,121 S * 2/2018 McClellan D14/488
D810,122 S * 2/2018 McClellan D14/488
D813,248 S 3/2018 Burton et al.
D814,483 S * 4/2018 Gavaskar D14/485
D816,689 S * 5/2018 Chalker D14/485
D817,976 S 5/2018 Shilwant et al.
D818,474 S * 5/2018 Kato D14/485
D818,475 S * 5/2018 Yopez D14/485
D819,672 S * 6/2018 Nakae D14/486
D822,678 S * 7/2018 Wu D14/485
D822,701 S 7/2018 Leabman
D823,324 S 7/2018 McGinn-Straub et al.
D823,860 S 7/2018 Wiffen et al.
D825,589 S 8/2018 Sparandara et al.
D828,391 S * 9/2018 Cabot D14/489
D830,382 S 10/2018 Marohn
D834,039 S * 11/2018 Einspahr D14/485
D836,120 S * 12/2018 Dudey D14/486
D836,652 S * 12/2018 Fowler D14/486
D837,242 S 1/2019 Kuo et al.
D840,412 S * 2/2019 Donini D14/485
D840,421 S * 2/2019 Chalker D14/485
D841,663 S * 2/2019 Yuguchi D14/485
D841,665 S * 2/2019 Matheson D14/485
D841,675 S 2/2019 Hoffman et al.
D842,313 S * 3/2019 Kagan D14/485
D842,314 S 3/2019 Govindan Sankar Selvan et al.
D842,319 S * 3/2019 Kawaichi D14/486
D842,322 S 3/2019 Torrento et al.
D843,386 S 3/2019 Shewman
D843,387 S * 3/2019 Yuguchi D14/485
D844,634 S * 4/2019 Roberts D14/485
D847,181 S * 4/2019 Hurst D14/486
D847,201 S * 4/2019 Thiel D14/488
D849,047 S * 5/2019 Thiel D14/488
D849,050 S * 5/2019 Clymer D14/492
D851,112 S * 6/2019 Papolu D14/486
D854,560 S * 7/2019 Field D14/486
D859,433 S * 9/2019 Kim D14/485
D866,588 S * 11/2019 Agarwal D14/486
D872,121 S * 1/2020 Einspahr D14/488
D876,445 S * 2/2020 Ting D14/485
D881,936 S * 4/2020 Meixner D14/488
D883,997 S * 5/2020 Einspahr D14/485
D884,024 S * 5/2020 Kwiatkowski D14/489
D884,726 S * 5/2020 Regev D14/486
D885,413 S * 5/2020 Ramkumar D14/486
D885,419 S * 5/2020 Argo D14/486
D886,834 S * 6/2020 Chitalia H04L 43/0876
D14/485
D888,737 S * 6/2020 Punzalan D14/486
D888,740 S * 6/2020 Loychik D14/486
10,673,714 B1 * 6/2020 Chitalia H04L 43/06
D889,506 S * 7/2020 Kanauchi D14/488
D890,781 S * 7/2020 Dauss D14/485
D891,458 S * 7/2020 Clymer D14/487
2002/0152305 A1 10/2002 Jackson et al.
2003/0018643 A1 1/2003 Mi et al.
2003/0225876 A1 12/2003 Oliver et al.
2008/0297513 A1 * 12/2008 Greenhill G05B 19/4183
345/440
2009/0228832 A1 * 9/2009 Cheng G06F 3/0482
715/810
2010/0023865 A1 * 1/2010 Fulker H04L 12/2809
715/734
2011/0234595 A1 * 9/2011 Poston G06F 3/04812
345/440
2014/0297835 A1 10/2014 Buys et al.

2015/0169500 A1 6/2015 Balinsky et al.
2017/0104658 A1 4/2017 Sykes et al.
2017/0185278 A1 * 6/2017 Sundermeyer ... G08B 13/19682
2018/0089272 A1 3/2018 Bath et al.
2018/0091392 A1 3/2018 Richards et al.
2018/0109429 A1 4/2018 Gupta et al.
2020/0077483 A1 * 3/2020 Agarwal G05B 15/02

FOREIGN PATENT DOCUMENTS

WO 2013/184846 A1 12/2013

OTHER PUBLICATIONS

Hopps, "Analysis of an Equal-Cost Multi-Path Algorithm," RFC 2992, Network Working Group, Nov. 2000, 8 pp.
Stahl et al., "Performance and Capacity Themes for Cloud Computing," International Technical Support Organization, IBM, Red Paper, Mar. 2013, 76 pp.
Mallick et al., "A Resource Prediction Model for Virtualization Servers," Laboratory for Algorithmics, Complexity and Logic (LACL), University of Paris-Est Creteil (UPEC), Dec. 2011, 25 pp.
Prosecution History from U.S. Appl. No. 29/642,650, dated Apr. 11, 2018 through Apr. 15, 2020, 99 pp.
U.S. Appl. No. 29/737,333, filed Jun. 8, 2020, naming inventors Chitalia et al.
U.S. Appl. No. 29/737,334, filed Jun. 8, 2020, naming inventors Chitalia et al.
U.S. Appl. No. 29/737,340, filed Jun. 8, 2020, naming inventors Chitalia et al.
U.S. Appl. No. 29/737,342, filed Jun. 8, 2020, naming inventors Chitalia et al.
Notice of Allowance from U.S. Appl. No. 29/737,333, dated Aug. 10, 2020, 7 pages.
Notice of Allowance from U.S. Appl. No. 29/737,334, dated Aug. 13, 2020, 7 pages.
Notice of Allowance from U.S. Appl. No. 29/737,340, dated Aug. 10, 2020, 7 pages.
Notice of Allowance from U.S. Appl. No. 29/737,342, dated Aug. 10, 2020, 7 pages.

* cited by examiner

Primary Examiner — Daniel J Domino
(74) *Attorney, Agent, or Firm* — Shumaker & Sieffert, P.A.

(57) CLAIM

The ornamental design for a display screen with animated graphical user interface, as shown and described.

DESCRIPTION

FIG. 1 is a first image in a sequence of a display screen with animated graphical user interface showing our new design according to a first embodiment;
FIG. 2 is a second image thereof;
FIG. 3 is a first image in a sequence of a display screen with animated graphical user interface showing our new design according to a second embodiment;
FIG. 4 is a second image thereof;
FIG. 5 is a first image in a sequence of a display screen with animated graphical user interface showing our new design according to a third embodiment; and,
FIG. 6 is a second image thereof.
The outermost broken lines showing a display device illustrate environmental subject matter, whereas the broken lines showing a display screen and elements of the animated

graphical user interface illustrate portions of the article. No subject matter depicted in broken lines forms part of the claimed design.

Grey shading, patterning, or the appearance thereof included in at least the claimed portions of FIGS. 1-6 are illustrative of contrast, and are not representative of any particular color, shade, or patterning.

The appearance of the animated graphical user interface sequentially transitions between the images shown in FIGS. 1-2, 3-4, and 5-6. The process or period in which one image transitions to another image forms no part of the claimed design.

1 Claim, 6 Drawing Sheets

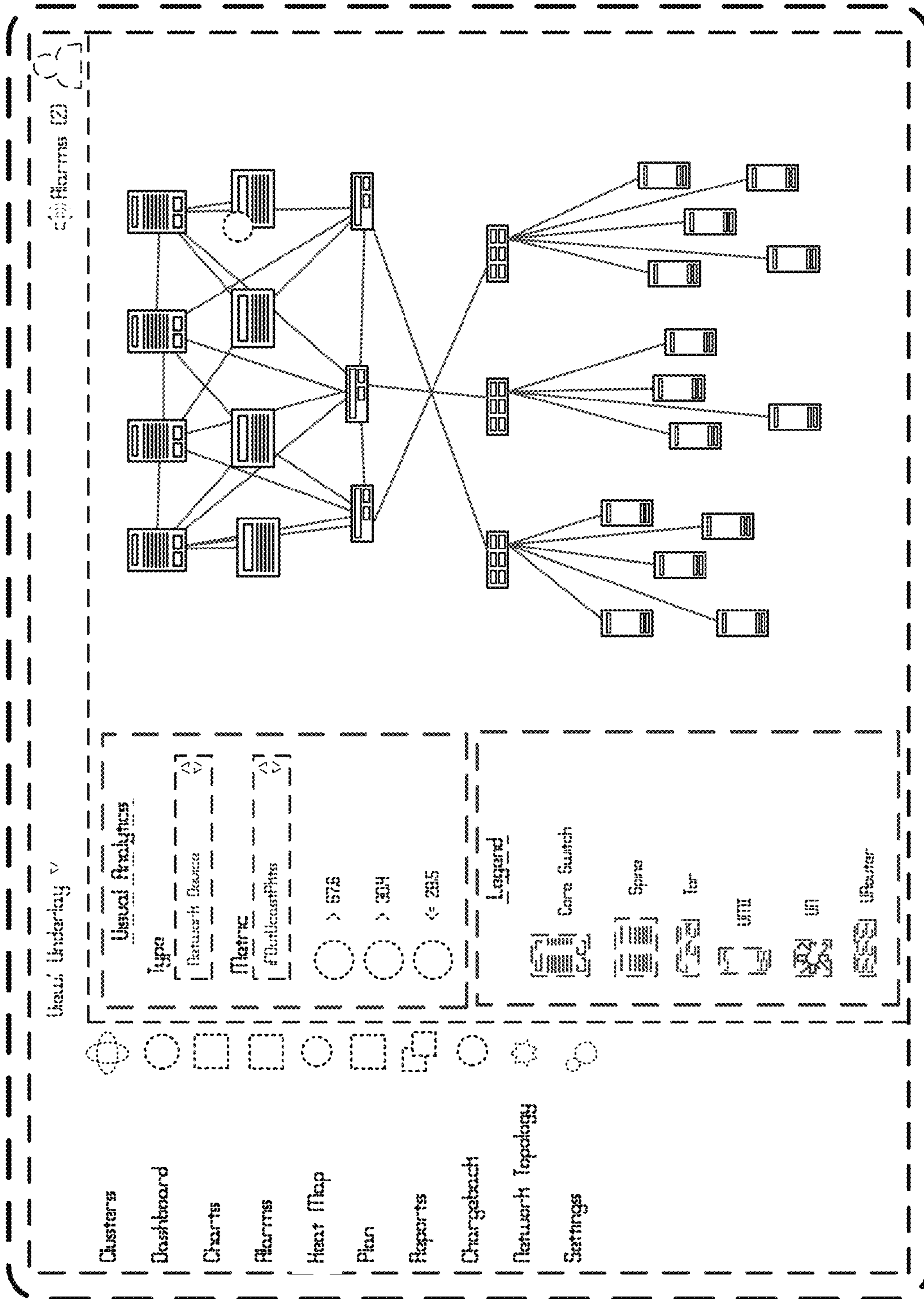


FIG. 1

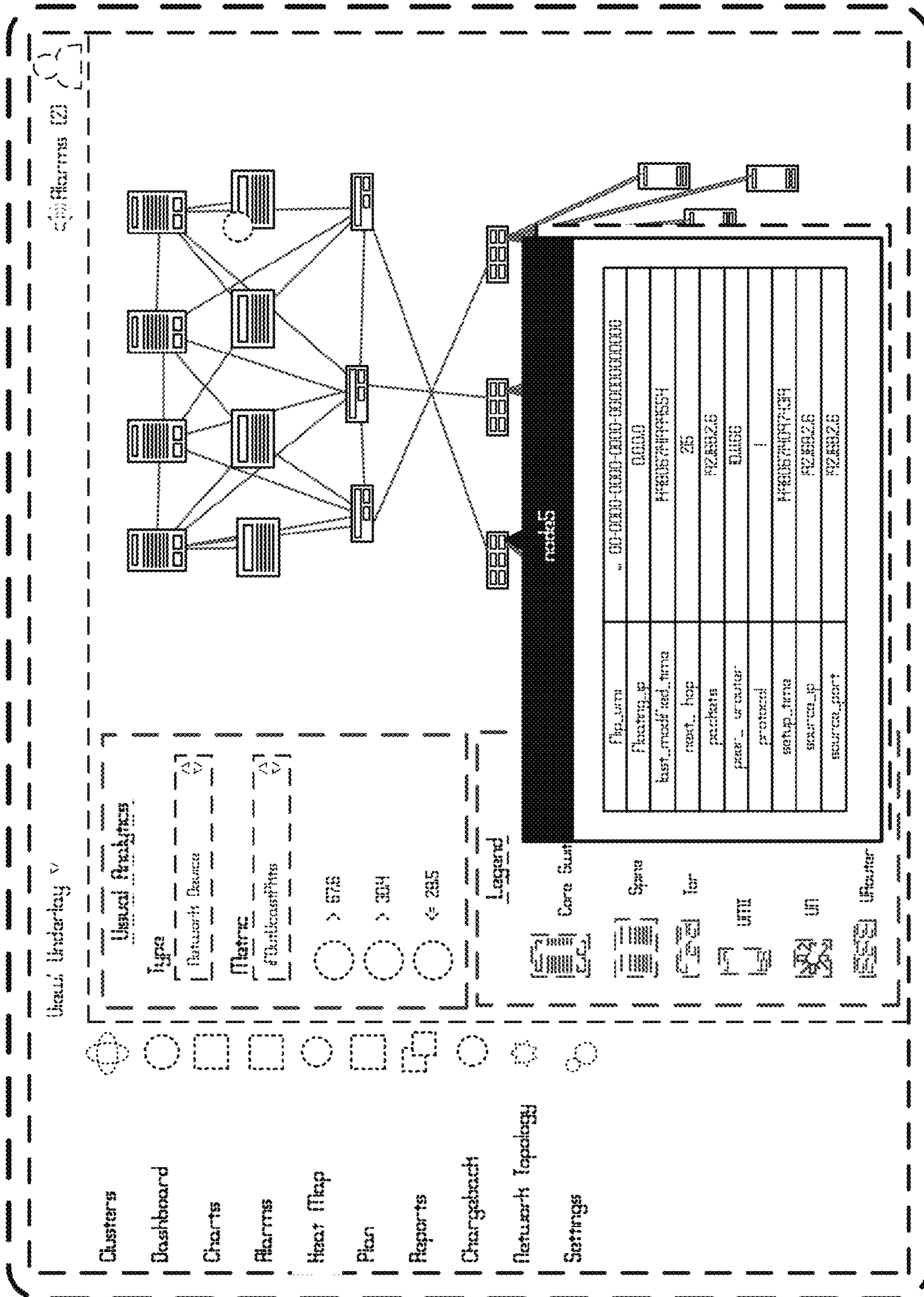


FIG. 2

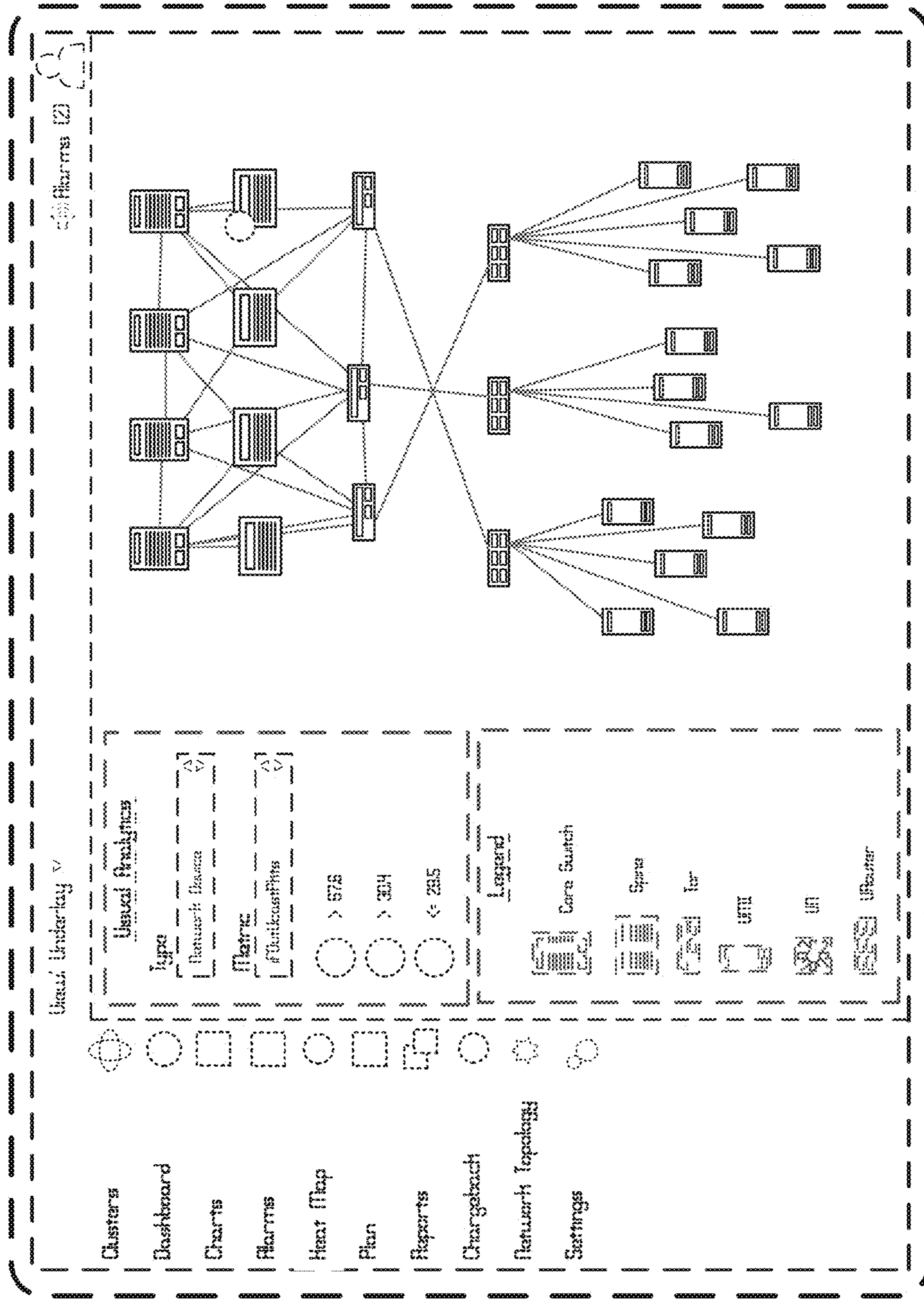


FIG. 3

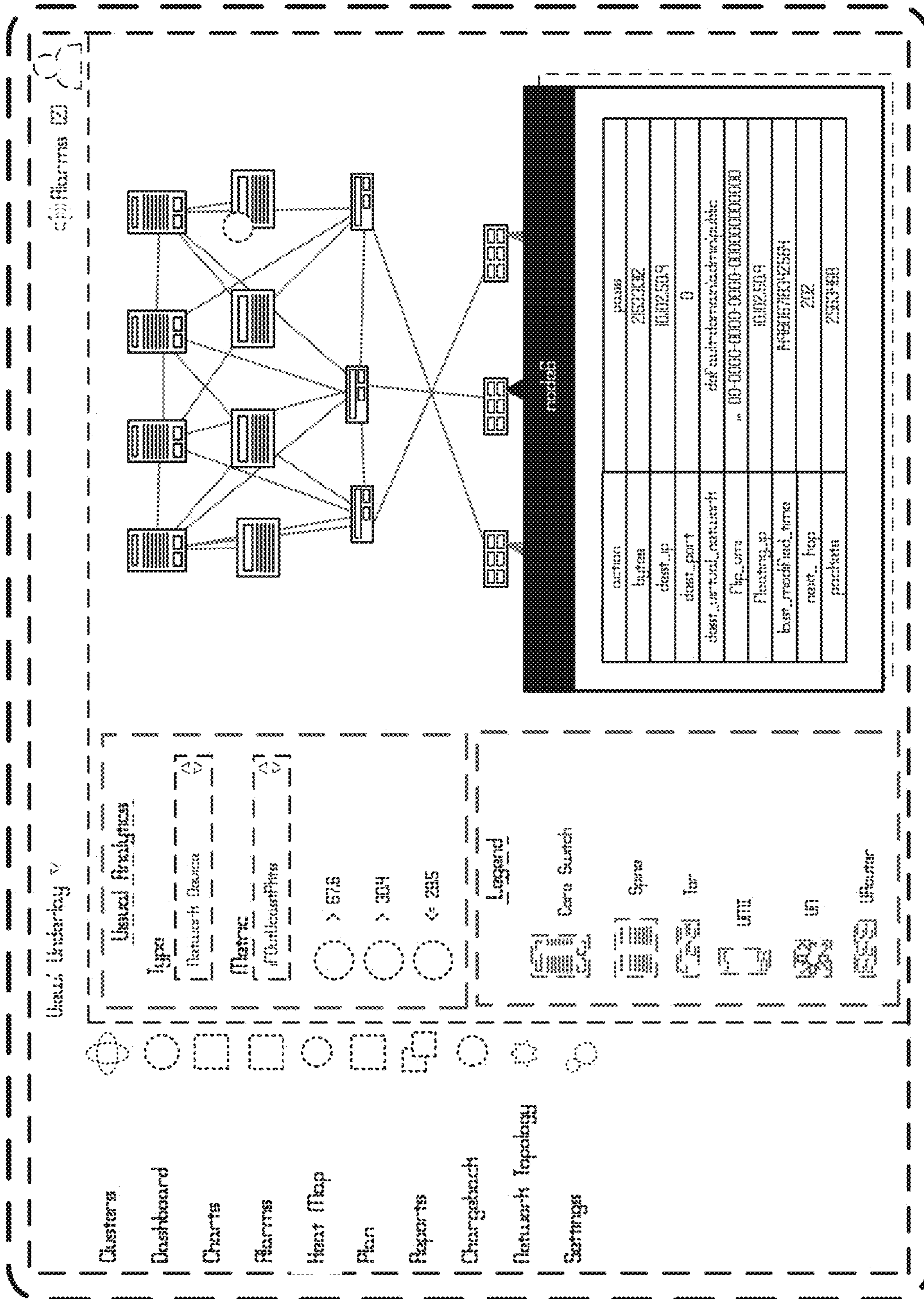


FIG. 4

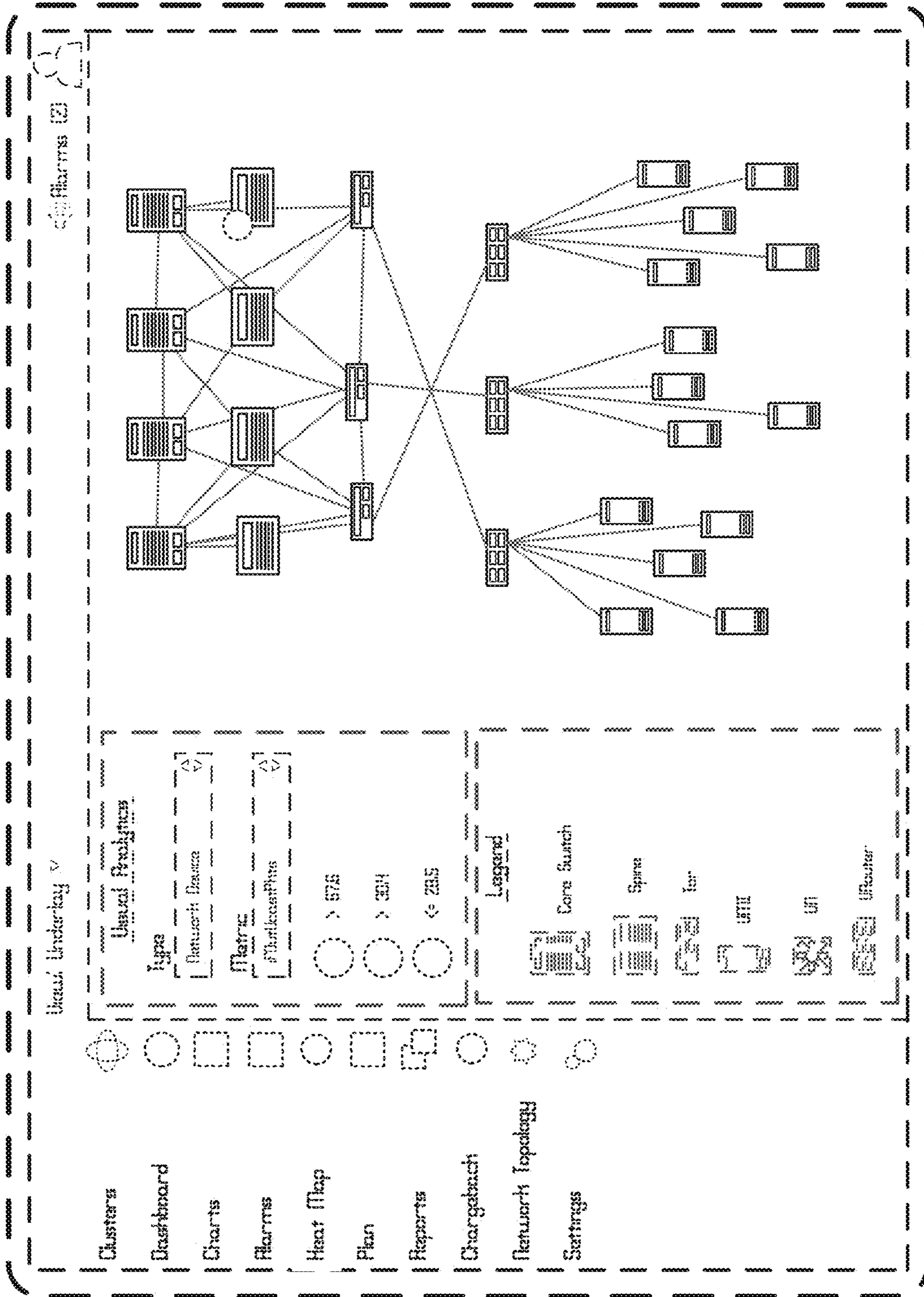


FIG. 5

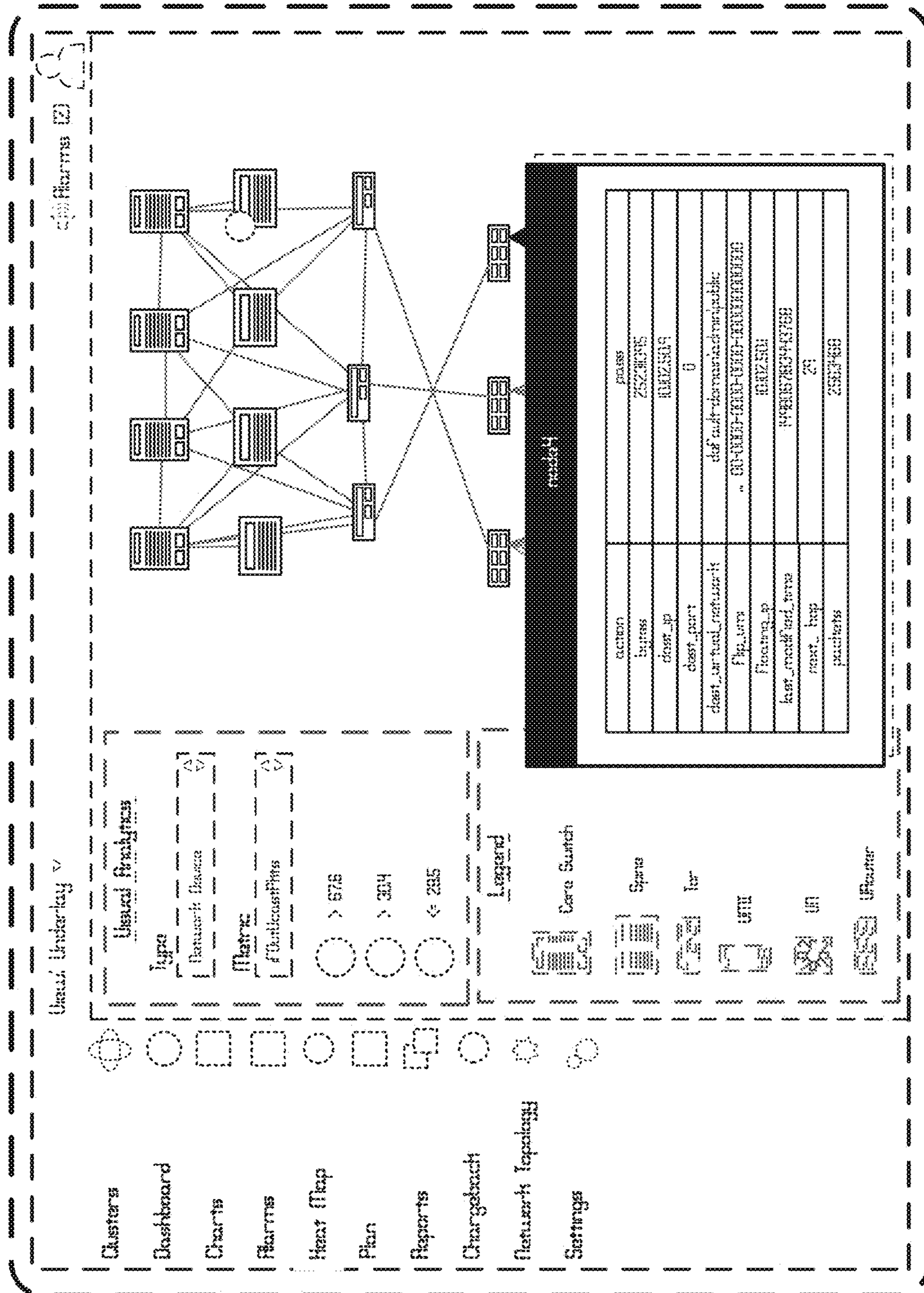


FIG. 6