



US00D905700S

(12) **United States Design Patent**  
**Lu et al.**

(10) **Patent No.:** **US D905,700 S**  
(45) **Date of Patent:** **\*\* Dec. 22, 2020**

(54) **MONITOR MOUNT**

(71) Applicant: **Hangzhou Yue Fu Si Supply Chain Management Co., Ltd, Hangzhou (CN)**

(72) Inventors: **Zhiye Lu, Hangzhou (CN); Weiwei Li, Hangzhou (CN)**

(73) Assignee: **Hangzhou Yue Fu Si Supply Chain Management Co., Ltd, Hangzhou (CN)**

(\*\*) Term: **15 Years**

(21) Appl. No.: **29/732,582**

(22) Filed: **Apr. 24, 2020**

(30) **Foreign Application Priority Data**

Mar. 19, 2020 (CN) ..... 2020 3 0095347

(51) **LOC (12) Cl.** ..... **14-02**

(52) **U.S. Cl.**  
USPC ..... **D14/452**

(58) **Field of Classification Search**  
USPC ..... D14/447-452, 371-374, 375-382, 126, D14/127, 128, 129, 239; D8/363  
CPC .... F16M 11/105; F16M 11/10; F16M 11/048; F16M 11/12; F16M 13/022  
See application file for complete search history.

(56) **References Cited**

**U.S. PATENT DOCUMENTS**

- D395,298 S 6/1998 Rosen
- 7,369,401 B1 \* 5/2008 Floersch ..... F16M 11/08 292/301
- D632,301 S \* 2/2011 Kasuga ..... D14/452
- 8,534,615 B2 \* 9/2013 Huang ..... F16M 11/24 248/125.1
- D771,633 S \* 11/2016 Xiang ..... D14/451
- D805,523 S \* 12/2017 Bowman ..... D14/452
- 10,066,785 B1 \* 9/2018 Chen ..... F16C 11/0614

- D841,642 S 2/2019 Eslava et al.
  - D853,404 S \* 7/2019 Bowman ..... D14/452
  - D854,861 S \* 7/2019 Lee ..... D6/656
- (Continued)

**FOREIGN PATENT DOCUMENTS**

- CA 2801412 A1 \* 12/2011 ..... F16M 11/10
- WO WO-2015192653 A1 \* 12/2015 ..... F16M 11/10

**OTHER PUBLICATIONS**

CDW. Link: <https://www.cdw.com/product/siig-ce-mt1u12-s1-mounting-kit/5385344#PO>. Visited Jul. 9, 2020. SIIG CE-MT1U12-S1—mounting kit. (Year: 2020).\*

*Primary Examiner* — Lauren D McVey

(74) *Attorney, Agent, or Firm* — ScienBiziP, P.C.

(57) **CLAIM**

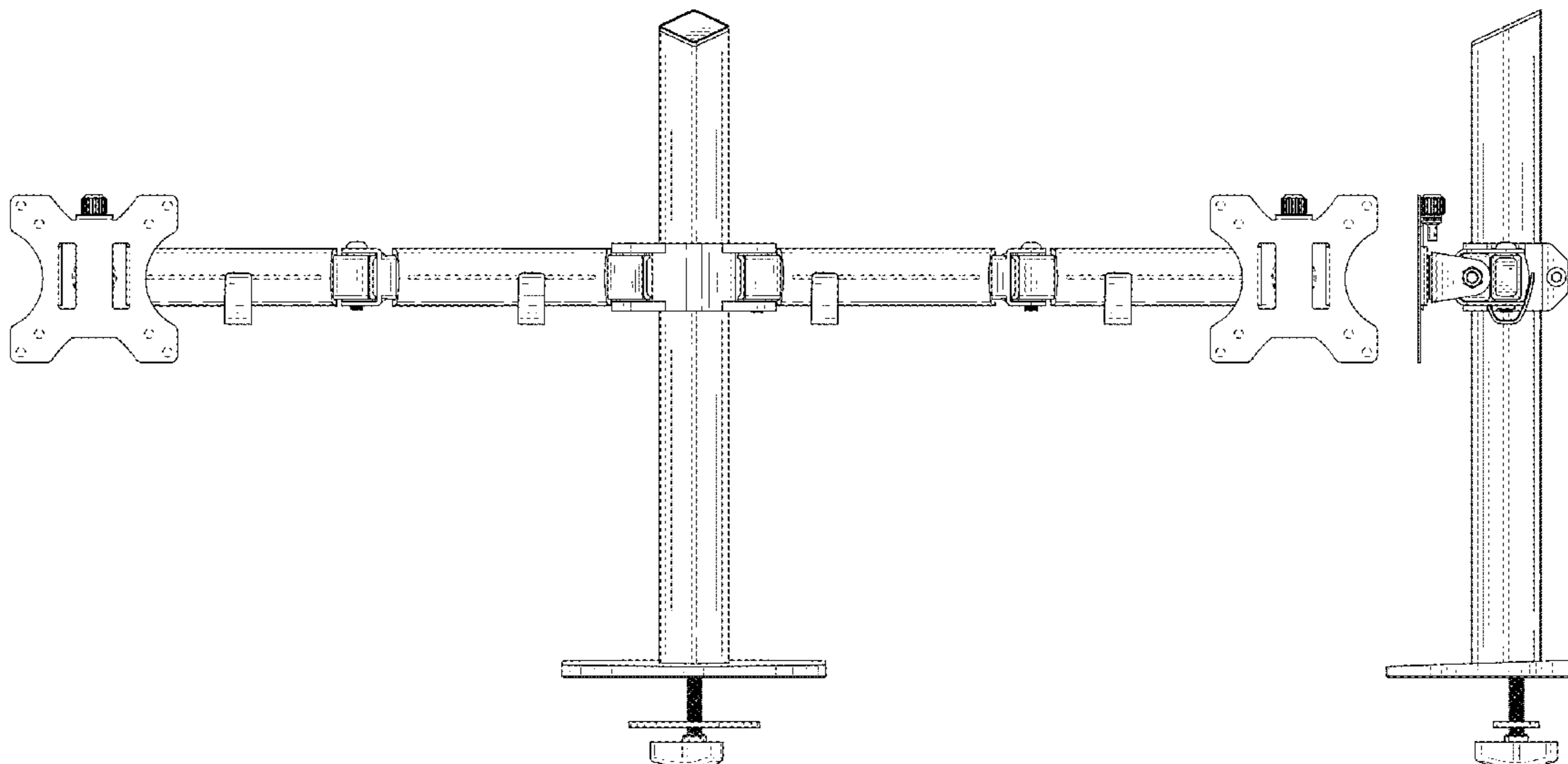
The ornamental design for a monitor mount, as shown and described.

**DESCRIPTION**

FIG. 1 is a front perspective view of a monitor mount, showing our new design;  
 FIG. 2 is a back and bottom perspective view thereof;  
 FIG. 3 is a front elevation view thereof;  
 FIG. 4 is a rear elevation view thereof;  
 FIG. 5 is a left side elevation view thereof;  
 FIG. 6 is a right side elevation view thereof;  
 FIG. 7 is a top plan view thereof;  
 FIG. 8 is a bottom plan view thereof;  
 FIG. 9 is an enlarged view of the encircled portion in FIG. 1; and,  
 FIG. 10 is an enlarged view of the encircled portion in FIG. 2.

The broken lines immediately adjacent to the shaded areas depict the bounds of the claimed design and form no part of the claimed design. All other broken lines are directed to environmental structure and form no part of the claimed design.

**1 Claim, 10 Drawing Sheets**



(56)

**References Cited**

U.S. PATENT DOCUMENTS

D877,745 S \* 3/2020 Knapp ..... D14/452  
D880,474 S \* 4/2020 Finckh ..... D14/336  
2009/0095857 A1\* 4/2009 Su ..... F16M 11/10  
248/188.5  
2009/0134285 A1\* 5/2009 Huang ..... F16M 11/2014  
248/124.1  
2019/0374025 A1\* 12/2019 Bowman ..... F16M 13/022  
2020/0170406 A1\* 6/2020 Knapp ..... A47B 9/10  
2020/0323339 A1\* 10/2020 Sierra Murillo ..... A47B 23/06

\* cited by examiner

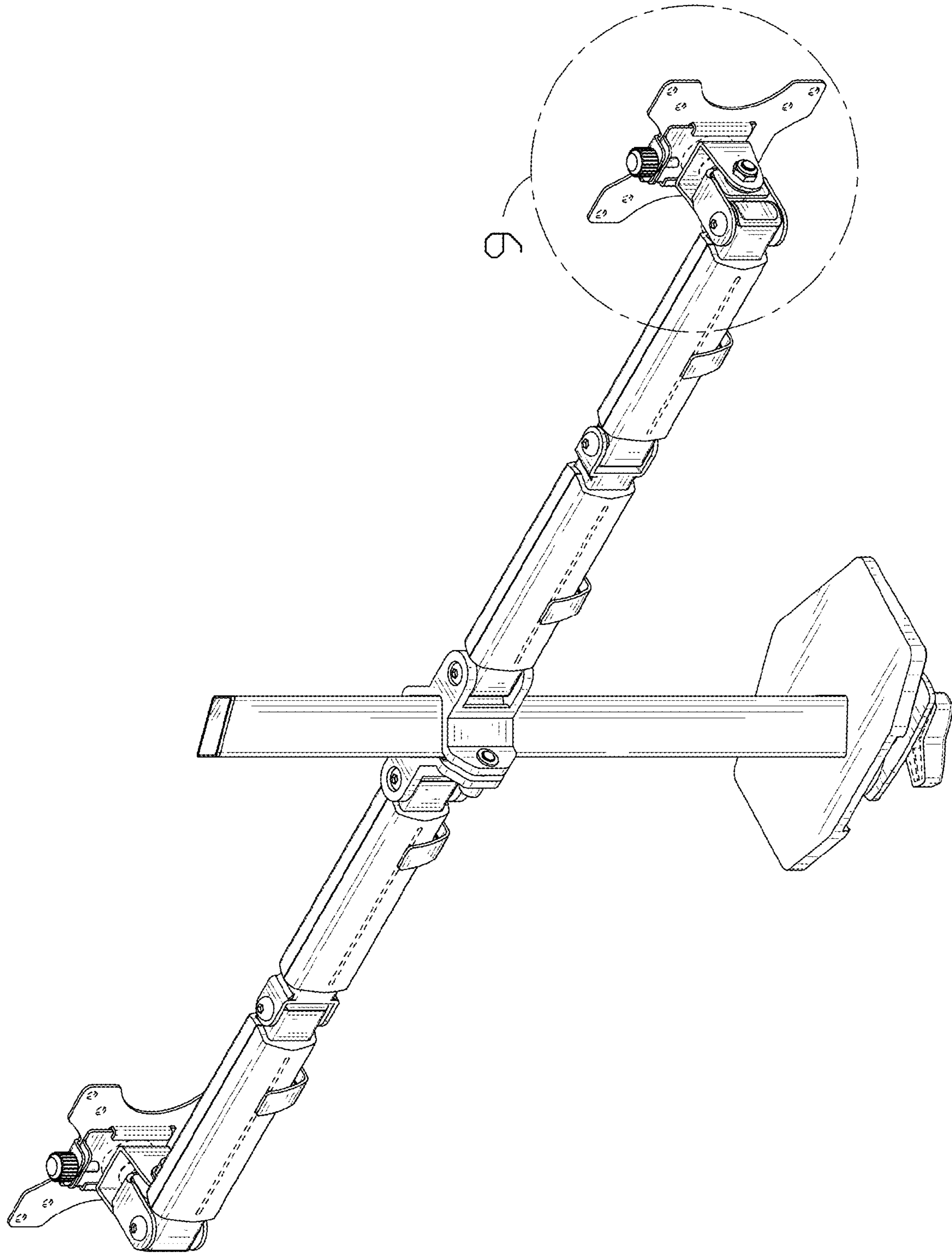


FIG. 1

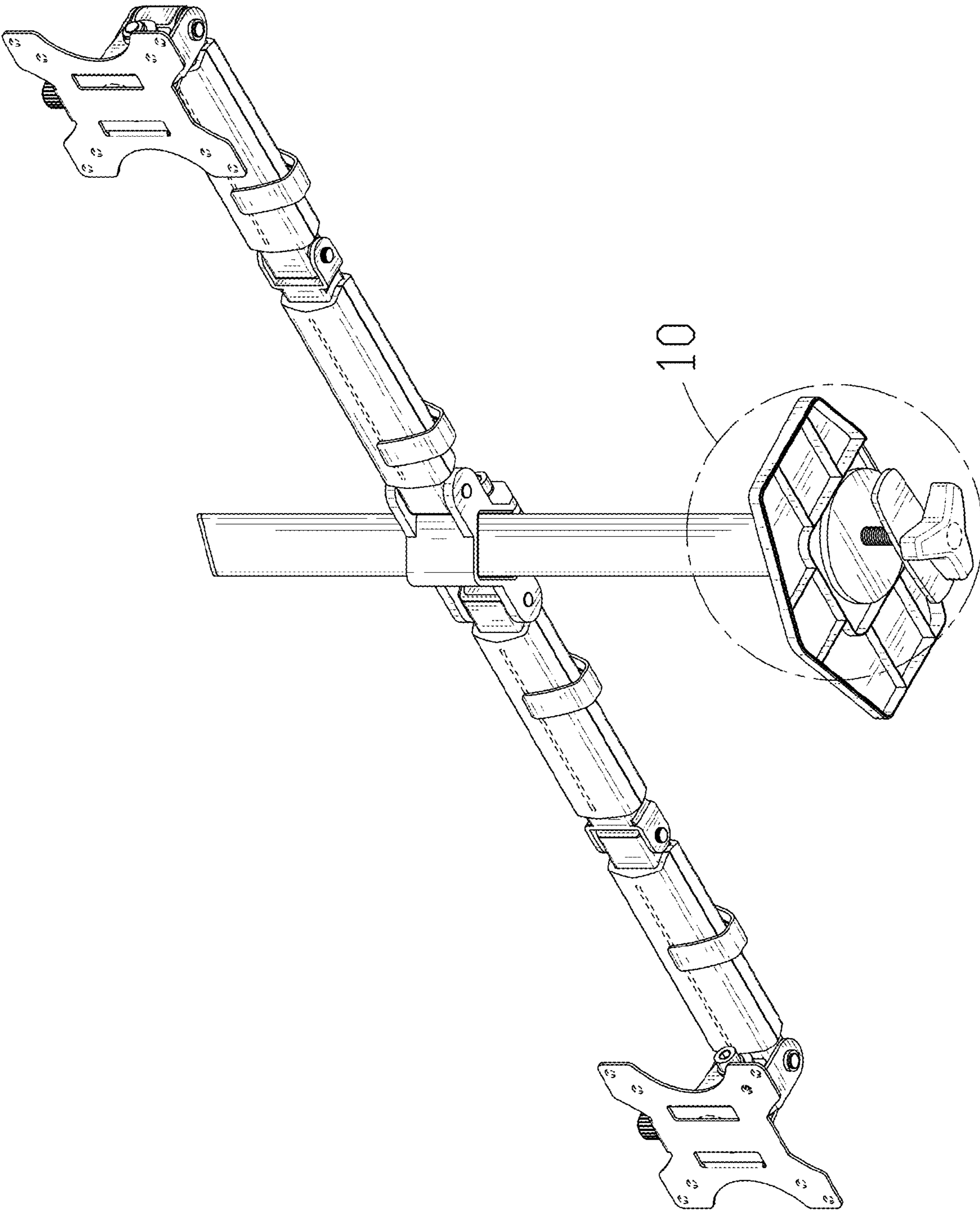


FIG. 2

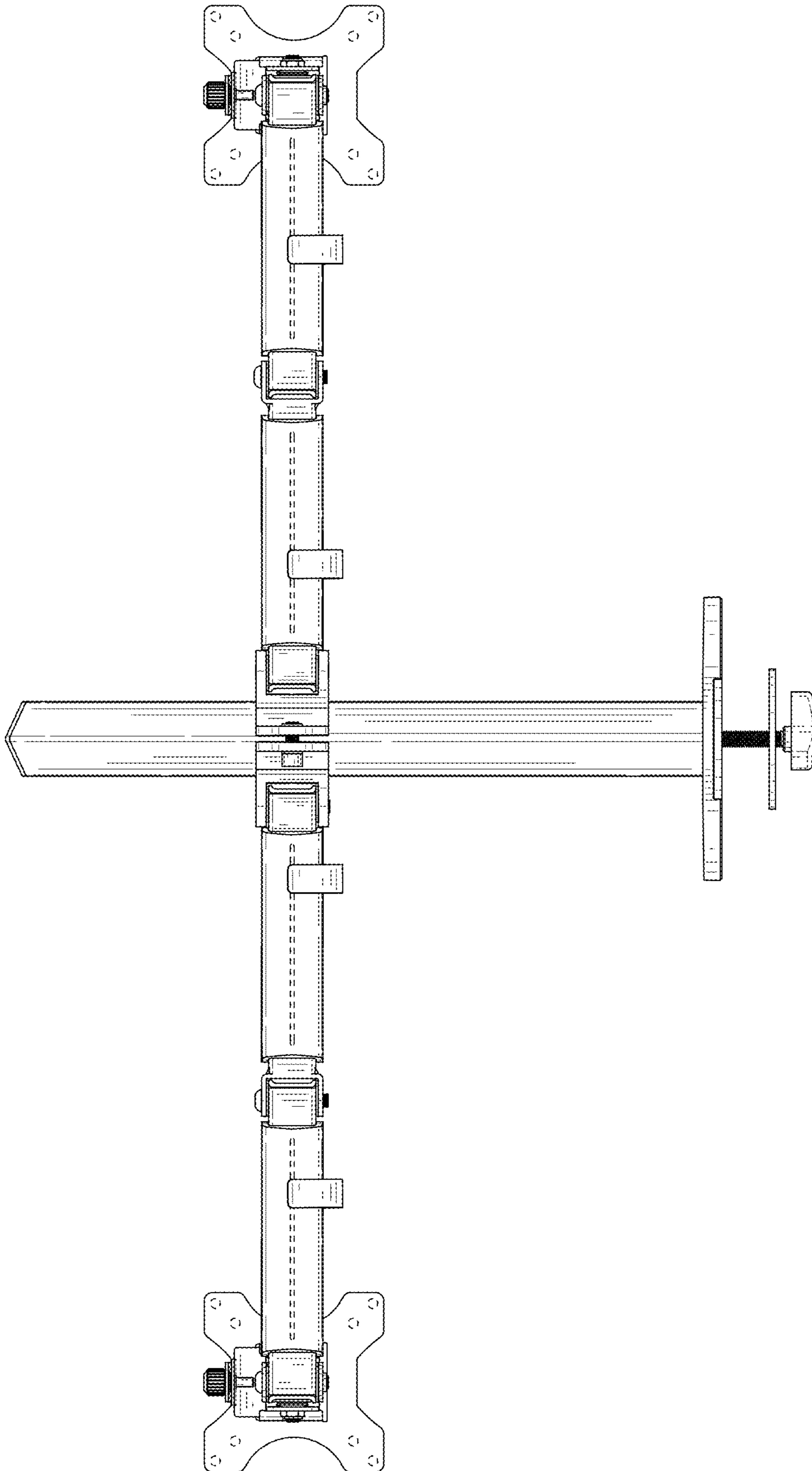


FIG. 3

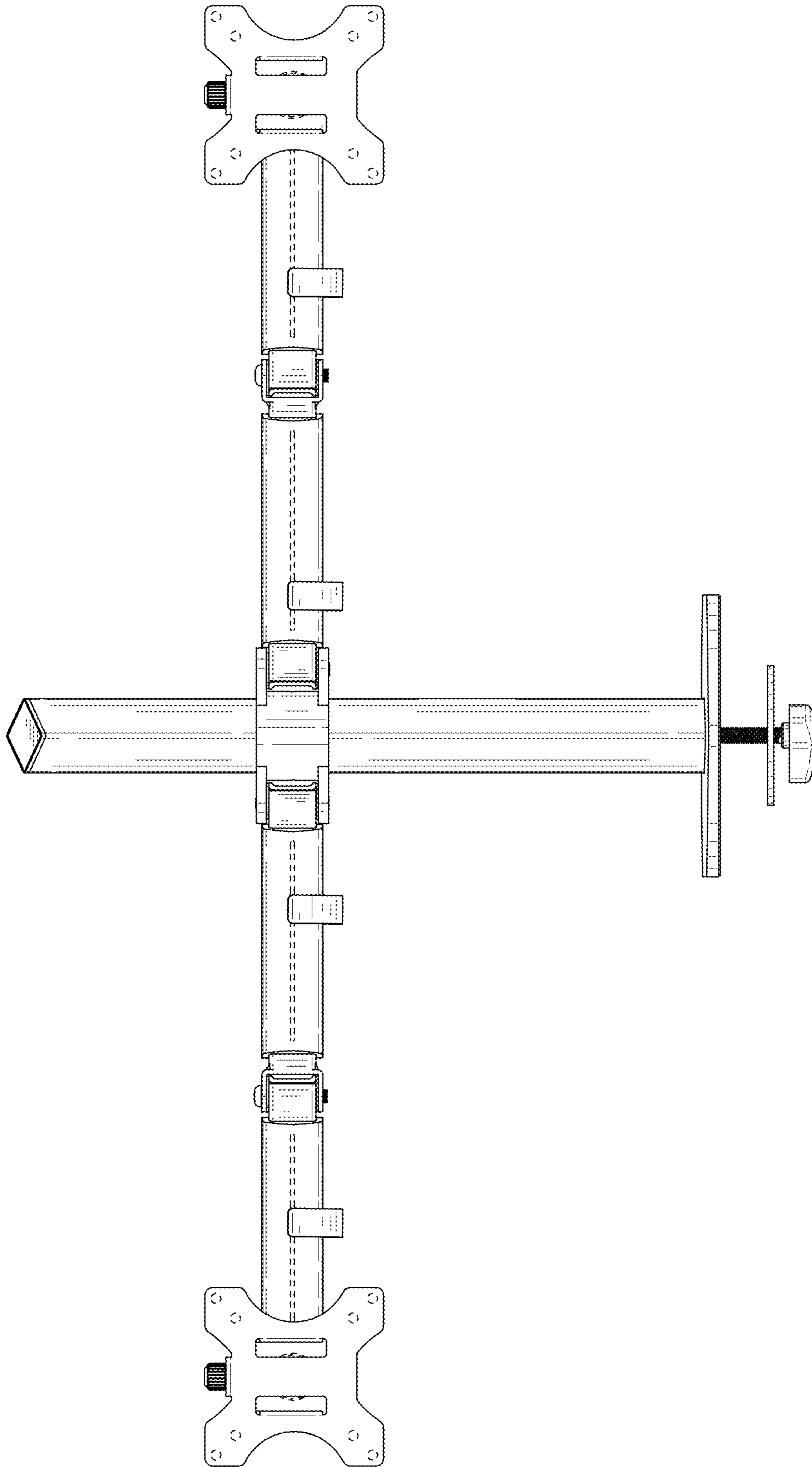


FIG. 4

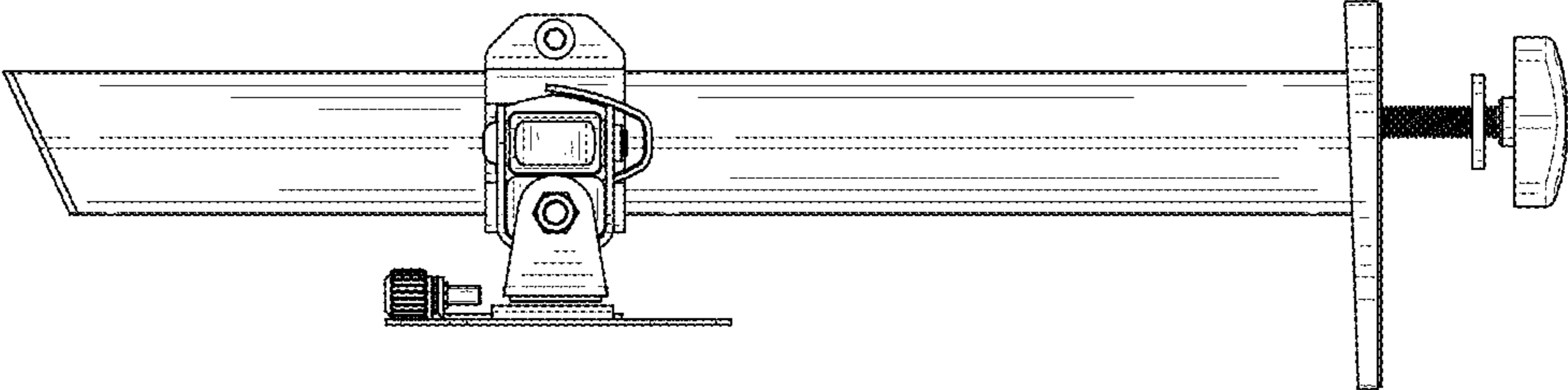


FIG. 5

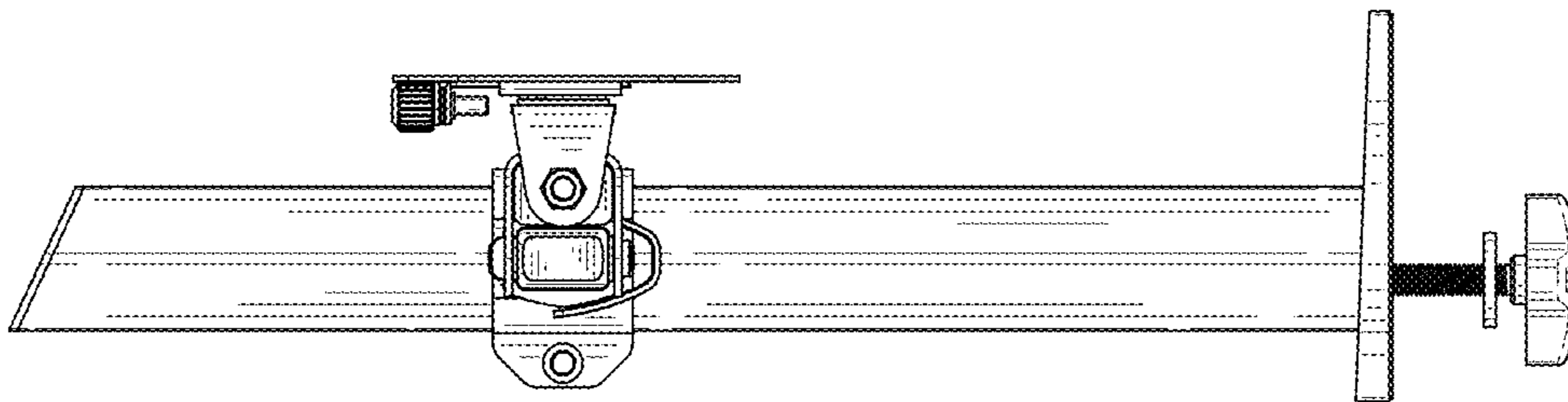


FIG. 6



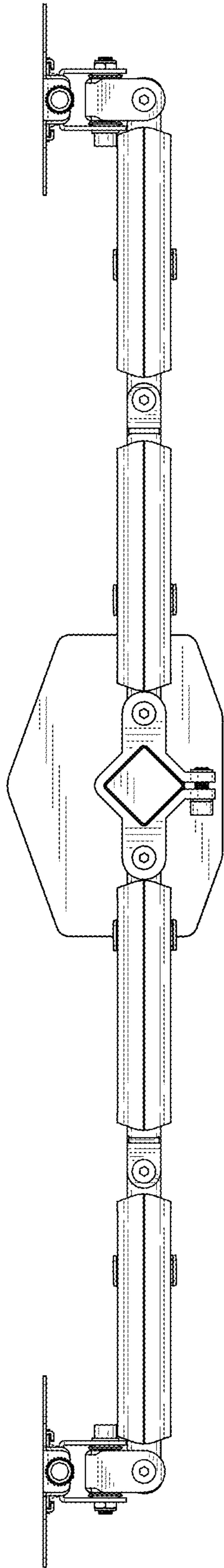


FIG. 7

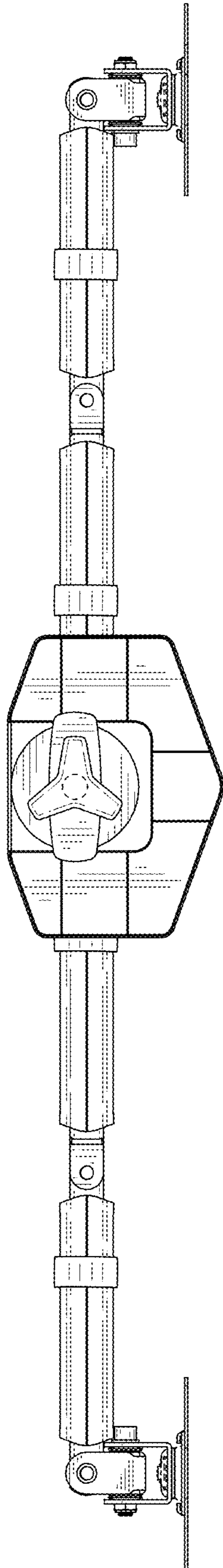


FIG. 8

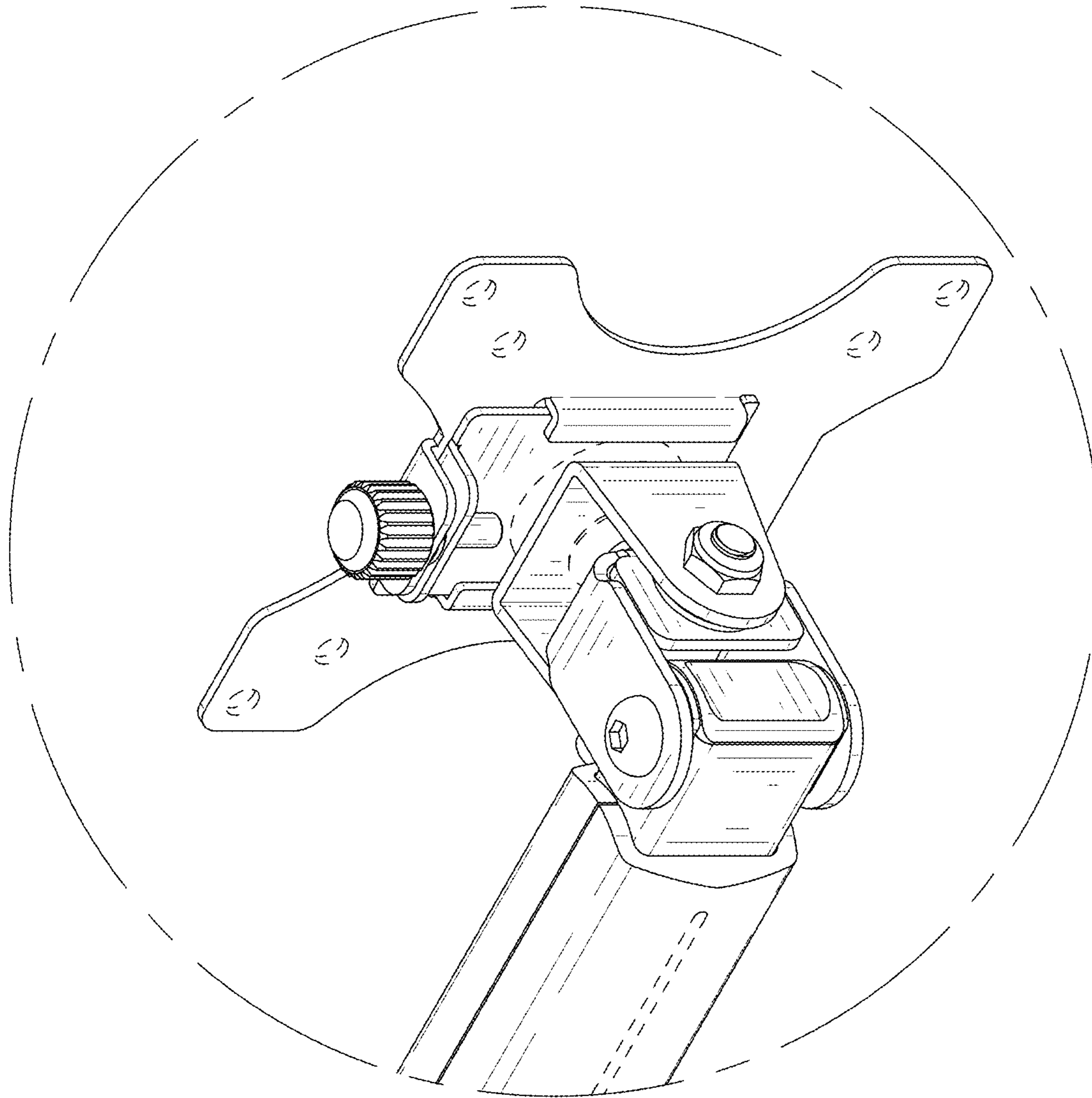


FIG. 9

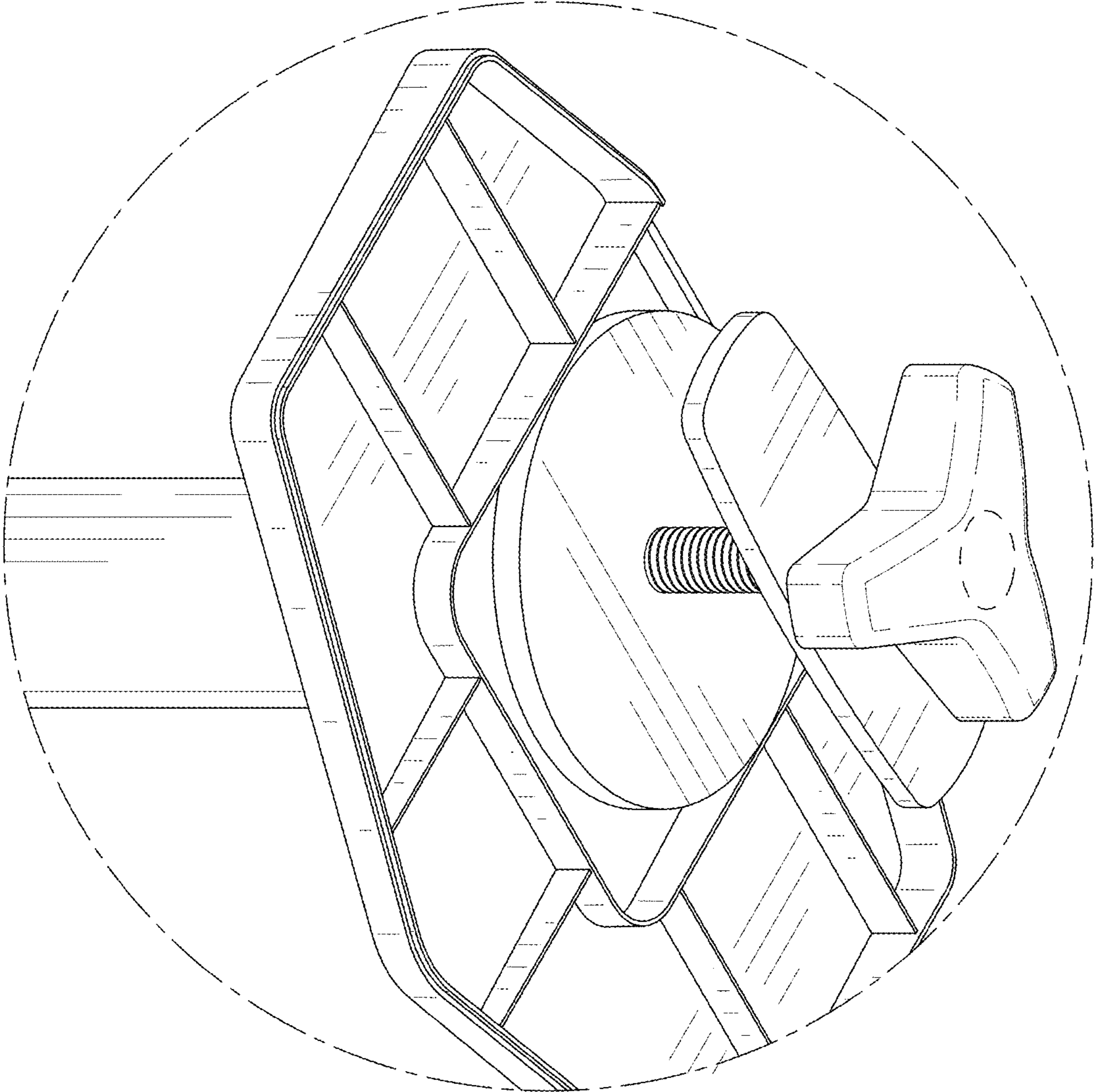


FIG. 10