



US00D905699S

(12) **United States Design Patent**
Hyun

(10) **Patent No.:** **US D905,699 S**

(45) **Date of Patent:** **** Dec. 22, 2020**

- (54) **CASE FOR TABLET COMPUTER**
- (71) Applicant: **SPIGEN KOREA CO., LTD.**, Seoul (KR)
- (72) Inventor: **Young Kwang Hyun**, Seoul (KR)
- (73) Assignee: **Spigen Korea CO., LTD.**, Seoul (KR)
- (**) Term: **15 Years**
- (21) Appl. No.: **29/714,224**
- (22) Filed: **Nov. 21, 2019**
- (51) **LOC (12) Cl.** **14-02**
- (52) **U.S. Cl.**
USPC **D14/440**
- (58) **Field of Classification Search**
USPC D14/440, 447, 250, 316, 455; 206/45.23,
206/320, 45.2; 361/679.55; 294/25;
224/218
CPC G06F 1/1628; G06F 1/1626; G06F 1/1669;
A47B 23/044; H04B 1/3888
See application file for complete search history.

(56) **References Cited**

U.S. PATENT DOCUMENTS

D508,954 S *	8/2005	Cetera	D19/65
D522,583 S *	6/2006	Goserud	D19/78
D619,361 S	7/2010	Andre et al.	
D638,006 S	5/2011	Chang	
D645,505 S *	9/2011	Melnick	D19/2
D646,265 S	10/2011	Fathollahi	
D650,371 S	12/2011	Wibby	
D654,491 S	2/2012	Melanson et al.	
D655,281 S	3/2012	Turocy	
D668,646 S	10/2012	Li	
D673,545 S	1/2013	Magness et al.	
D677,249 S	3/2013	Li	
D679,271 S	4/2013	Liu	

D679,692 S	4/2013	Fahrendorff et al.
D681,615 S	5/2013	Fathollahi
D681,617 S	5/2013	Weller et al.

(Continued)

OTHER PUBLICATIONS

“Samsung Galaxy J7 Unicorn Beetle Pro Full Body Rugged Holster Case”, <https://www.i-blason.com/samsung-galaxy-j7-unicorn-beetle-pro-case>, Earliest review date of Dec. 14, 2017, downloaded on Aug. 8, 2019.

(Continued)

Primary Examiner — Cynthia R Underwood

(74) *Attorney, Agent, or Firm* — Heedong Chae; Lucem, PC

(57) **CLAIM**

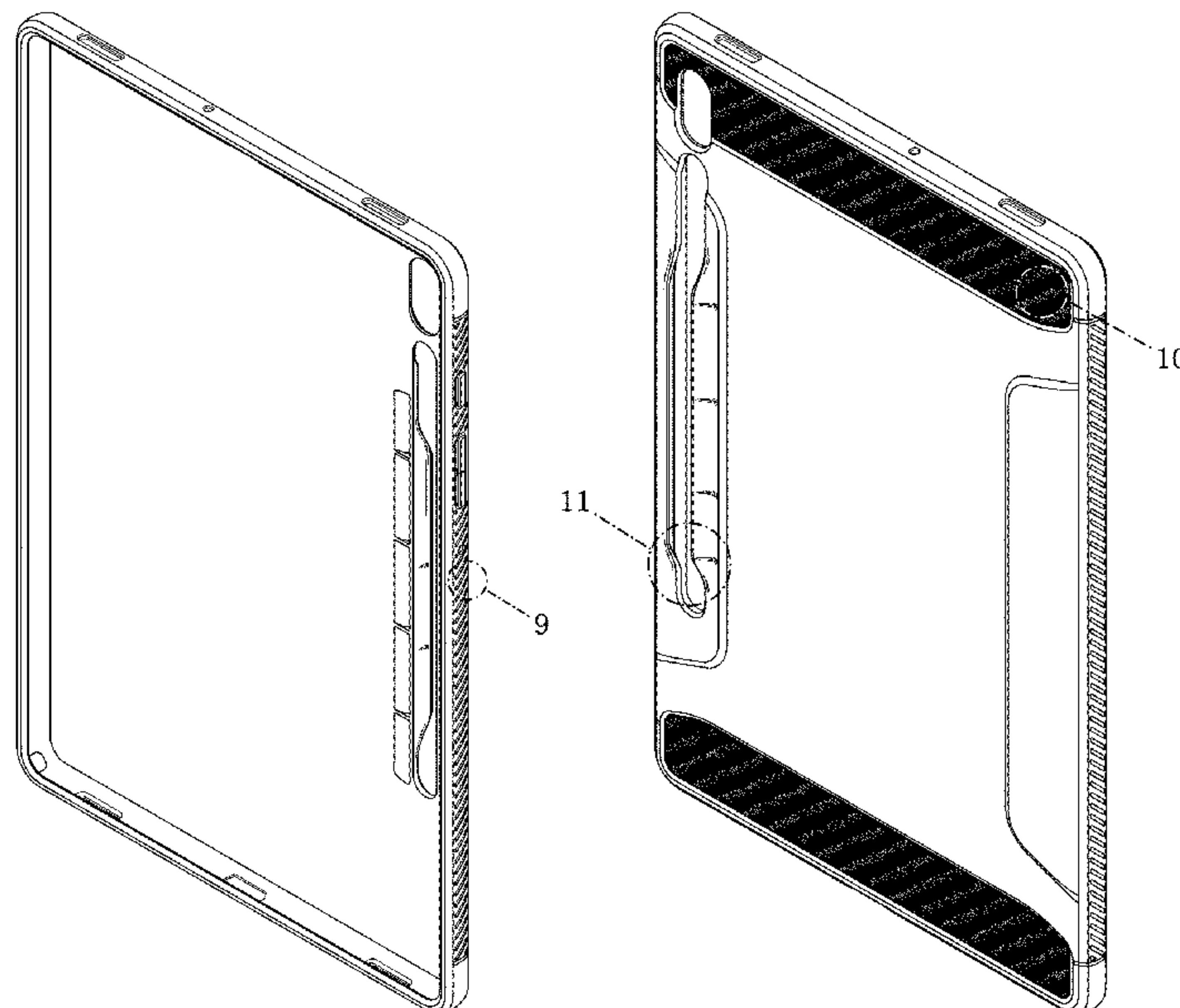
The ornamental design for a case for tablet computer, as shown and described.

DESCRIPTION

FIG. 1 is a front perspective view of the case for tablet computer showing my new design;
 FIG. 2 is a rear perspective view thereof;
 FIG. 3 is a front elevational view thereof;
 FIG. 4 is a rear elevational view thereof;
 FIG. 5 is a left side elevational view thereof;
 FIG. 6 is a right side elevational view thereof;
 FIG. 7 is a top plan view thereof;
 FIG. 8 is a bottom plan view thereof;
 FIG. 9 is an enlarged detail view of the encircled region in FIG. 1;
 FIG. 10 is an enlarged detail view of the encircled region in FIG. 2; and,
 FIG. 11 is an enlarged detail view of the encircled region in FIG. 2.

The dot-dash broken line circles in FIGS. 1 and 2 delineate portions of the case that are shown enlarged in FIGS. 9, 10 and 11. The dot-dash broken lines form no part of the claim.

1 Claim, 11 Drawing Sheets



(56)

References Cited

U.S. PATENT DOCUMENTS

D683,340 S 5/2013 Chang et al.
 D684,568 S 6/2013 Fitzgerald
 D694,759 S 12/2013 Chang et al.
 D697,905 S 1/2014 Chang
 D698,343 S 1/2014 Chang et al.
 D698,767 S 2/2014 Son
 D700,172 S 2/2014 Li
 D702,672 S 4/2014 Mather
 D706,254 S 6/2014 Chang
 D714,273 S 9/2014 Kim et al.
 D716,281 S 10/2014 Melanson et al.
 D716,282 S 10/2014 Melanson et al.
 D716,783 S 11/2014 Loncar et al.
 D717,774 S 11/2014 Fathollahi
 D720,759 S 1/2015 Deng et al.
 D721,070 S 1/2015 Pickett
 D724,093 S * 3/2015 Dong D14/440
 D727,883 S 4/2015 Brand
 D727,886 S 4/2015 Bertrand et al.
 D731,481 S 6/2015 Akana et al.
 D732,012 S 6/2015 Tsai
 D733,693 S 7/2015 Wang et al.
 D739,391 S 9/2015 Chen et al.
 D741,845 S 10/2015 Kim
 D743,387 S 11/2015 Choi
 D746,273 S 12/2015 Herbst
 D746,274 S 12/2015 Herbst
 D747,707 S 1/2016 Roberts et al.
 D748,614 S 2/2016 Ju
 D749,068 S 2/2016 Zaborski et al.
 D749,535 S 2/2016 Joung et al.
 D749,555 S 2/2016 Poon et al.
 D749,557 S 2/2016 Feng
 D756,343 S 5/2016 Wall
 D756,345 S 5/2016 Roberts et al.
 D756,909 S 5/2016 Gupta
 D756,910 S 5/2016 Gupta
 D756,911 S 5/2016 Gupta
 D757,704 S 5/2016 Roberts et al.
 D761,239 S 7/2016 Kim
 D763,241 S 8/2016 Kim
 D763,242 S 8/2016 Kim
 D763,837 S 8/2016 Choe et al.
 D763,842 S 8/2016 Chang et al.
 D765,627 S 9/2016 Watt
 D765,635 S 9/2016 Chang et al.
 D765,638 S 9/2016 Gaylord et al.
 D765,640 S 9/2016 Bulkley et al.
 D765,641 S 9/2016 Bulkley et al.
 D765,642 S 9/2016 Bulkley
 D765,645 S 9/2016 Kim
 D766,227 S 9/2016 Wu
 D767,485 S 9/2016 To et al.
 D767,554 S 9/2016 Bertrand et al.
 D771,611 S 11/2016 Chang et al.
 D772,854 S 11/2016 Igarashi
 D772,856 S 11/2016 Taylor et al.
 D772,858 S 11/2016 Hu
 9,480,319 B2 11/2016 Dining et al.
 D773,447 S 12/2016 Taylor
 D775,614 S 1/2017 Kim
 D776,098 S 1/2017 Poon
 D776,647 S 1/2017 Kim
 D777,157 S 1/2017 Kim
 D777,160 S 1/2017 Kim
 D781,835 S 3/2017 Kim et al.
 D781,840 S 3/2017 Kim et al.
 D782,460 S 3/2017 Bertrand et al.
 D783,602 S 4/2017 Akana et al.
 D784,309 S 4/2017 Lee et al.
 D784,311 S 4/2017 Yoon
 D785,615 S 5/2017 Kim et al.
 D786,849 S 5/2017 Park et al.
 D786,853 S 5/2017 Friedland et al.
 D788,093 S 5/2017 Lee et al.

D790,526 S 6/2017 Babichenko
 D792,394 S 7/2017 Lee et al.
 D794,625 S * 8/2017 Armstrong D14/250
 D795,237 S 8/2017 Jung et al.
 D797,715 S 9/2017 Kim
 D798,286 S 9/2017 Roberts et al.
 D798,288 S 9/2017 Babichenko
 D798,854 S 10/2017 Babichenko
 D799,462 S 10/2017 Wright
 D800,105 S 10/2017 Roberts et al.
 D801,323 S 10/2017 Kim
 D801,324 S 10/2017 Kim
 D801,325 S 10/2017 Kim
 D801,959 S 11/2017 Kuo et al.
 D801,976 S * 11/2017 Li D14/440
 D807,336 S 1/2018 Kim
 D807,369 S * 1/2018 Chen D14/440
 D812,600 S 3/2018 Altaras
 D812,618 S 3/2018 Altaras
 D812,619 S 3/2018 Altaras
 D813,217 S 3/2018 Kim
 D813,219 S 3/2018 Hyun
 D815,627 S 4/2018 Cho et al.
 D816,651 S 5/2018 Chiang et al.
 D816,653 S 5/2018 Yu
 D816,654 S 5/2018 Chen
 D819,006 S 5/2018 Kim
 D826,929 S 8/2018 Andre et al.
 D831,017 S 10/2018 Choe et al.
 D831,636 S 10/2018 Zhu
 D832,852 S * 11/2018 Jinkinson D14/440
 D832,853 S * 11/2018 Jinkinson D14/440
 D832,854 S * 11/2018 Jinkinson D14/440
 D832,855 S * 11/2018 Jinkinson D14/440
 D832,856 S * 11/2018 Jinkinson D14/440
 D832,857 S * 11/2018 Jinkinson D14/440
 D834,026 S * 11/2018 Moore D14/440
 D834,582 S * 11/2018 Zhuang D14/440
 D837,194 S 1/2019 Roberts et al.
 D837,778 S 1/2019 Yun
 D837,779 S 1/2019 Kim
 D838,264 S 1/2019 Wright et al.
 D838,706 S 1/2019 Li et al.
 D838,710 S 1/2019 Wang
 D839,255 S 1/2019 Roberts et al.
 D840,385 S * 2/2019 Deng D14/250
 D840,991 S 2/2019 Kim
 D840,992 S 2/2019 Kim
 D843,360 S 3/2019 Han et al.
 D843,993 S 3/2019 Jeong et al.
 D843,994 S 3/2019 Jeong et al.
 D845,943 S 4/2019 Skovsted et al.
 D845,944 S 4/2019 Gronewoller et al.
 D845,945 S 4/2019 Bohman et al.
 D847,129 S 4/2019 To et al.
 D847,140 S * 4/2019 Chapuis D14/440
 D847,806 S 5/2019 Kim
 D847,807 S 5/2019 Wright et al.
 D849,011 S * 5/2019 Pang D14/440
 D850,431 S 6/2019 Igarashi
 D850,453 S * 6/2019 Wu D14/440
 D850,456 S * 6/2019 Armstrong D14/440
 D851,648 S * 6/2019 Tan D14/440
 D852,199 S * 6/2019 Kim D14/440
 D868,788 S * 12/2019 Weng D14/440
 D868,790 S * 12/2019 Weng D14/440
 D875,102 S * 2/2020 Gao D14/440
 2011/0050606 A1 3/2011 Zhang
 2015/0068934 A1 * 3/2015 Armstrong A45C 11/00
 206/320

OTHER PUBLICATIONS

Tracy, "SwitchEasy Introduces CoverBuddy, the Apple Pencil Holder case for iPad Pro", <https://9to5mac.com/community/switcheasy-introduces-coverbuddy-the-apple-pencil-holder-case-for-ipad-pro/>, Earliest review date of Nov. 19, 2015, downloaded on Feb. 26, 2020.

(56)

References Cited

OTHER PUBLICATIONS

“iPad Pro 9.7 Case—Poetic Rugged Protective Silicone Case [Corner/Bumper Protection][Grip][Sound—Amplification][Bottom Air Vents] w/Apple Pencil Holder for iPad Pro 9.7 (2016) Purple”, <https://www.amazon.com/iPad-Pro-9-7-Case-Sound-Amplification/dp/B01BN2H1DC>, Earliest review date of Apr. 28, 2016, downloaded on Feb. 26, 2020.

“ZUGU CASE—2018/2017 iPad 9.7-5/6 Gen & iPad Air 1 Prodigy X Case—Very Protective But Thin + Convenient Magnetic Stand + Sleep/Wake Cover (Purple)”, <https://www.amazon.com/ZUGU-CASE-Protective-Convenient-Magnetic/dp/B075NTRHWG>, Earliest review date of Oct. 11, 2017, downloaded on Feb. 26, 2020.

“Fintie Keyboard Case for iPad Pro 11" 2018 [Supports 2nd Gen Pencil Charging Mode]—Slim Shell Stand Cover with [Secure Pencil Holder] Magnetically Detachable Wireless Bluetooth Keyboard, Galaxy”, <https://www.amazon.com/Fintie-Keyboard-Supports-Pencil-Charging/dp/B07KH8RQFZ>, Earliest review date of Nov. 24, 2018, downloaded on Feb. 26, 2020.

“Cantis iPad Air 3 Case, iPad Air 10.5 Case, iPad Pro 10.5 Case 2017, Slim Heavy Duty Shockproof Rugged Full Body Protective Case with Auto Wake/Sleep for iPad Air 3rd Generation 10.5" 2019, Black”, <https://www.amazon.com/Cantis-iPad-Air-10-5-2019/dp/B07SFYKMP5>, Earliest review date of Jun. 17, 2019, downloaded on Feb. 26, 2020.

“TSQ iPad 6th Generation Cases with Pencil Holder 2018, iPad Case 5th Generation 2017 Hybrid Shockproof Rugged Protective Kids Case with Stand/Hand Strap/Shoulder Belt for iPad 9.7 Inch Tablet, Purple”, <https://www.amazon.com/Generation-TSQ-Shockproof-Protective-Shoulder/dp/B07P1HRSPY>, Earliest review date of Aug. 6, 2019, downloaded on Feb. 26, 2020.

“iPad Air 3 Case 2019, iPad Pro 10.5 Inch 2017 Case for Kids, Herize 3 Layer Hybrid Dropproof Durable Rugged Protective Silicon Case with Pencil Holder&Hand Strap&Shoulder Belt for iPad 10.5 Tablet Red”, <https://www.amazon.com/Herize-Dropproof-Durable-Protective-Shoulder/dp/B07X5ZZKX5>, Earliest review date of Oct. 17, 2019, downloaded on Feb. 26, 2020.

“ZenRich New iPad 10.2 Case 2019, iPad 7th Generation Case with Pencil Holder, Rotatable Stand Hand Strap and Shoulder Belt, Shockproof Case for iPad 10.2 inch 2019 Tablet A2197/A2198/A2199/A2200—Black”, <https://www.amazon.com/ZenRich-10-2-Generation-Shockproof-A2200-Black/dp/B07Y9HC37L>, Earliest review date of Oct. 27, 2019, downloaded on Feb. 26, 2020.

“CWNOTBHY iPad 7th Generation Case 10.2 Inch 2019 / iPad 10.2 Case, Heavy Duty Shockproof Protective Case with 360 Rotate Kickstand/Hand Strap/Shoulder Strap (Black/Blue)”, <https://www.amazon.com/CWNOTBHY-Generation-Shockproof-Protective-Kickstand/dp/B07YRSCW7D>, Earliest review date of Nov. 7, 2019, downloaded on Feb. 26, 2020.

“Caseology Vault for Apple iPhone 8 Case (2017) / for iPhone 7 Case (2016)—Rugged & Flexible—Matte Black”, <https://www.amazon.com/dp/B01JSZOJ7M>, Earliest review date of Sep. 10, 2016, Downloaded on Jan. 16, 2020.

“The best iPhone 7 & 7 Plus cases available now”, <https://9to5mac.com/2016/09/07/best-iphone-7-7-plus-cases-accessories-available-now/>, Earliest review date of Sep. 17, 2016, Downloaded on Mar. 18, 2020.

“Caseology Vault for Google Pixel Case (2016)—Rugged & Flexible—Black”, <https://www.amazon.com/dp/B01MEDIMGS>, Earliest review date of Nov. 10, 2016, Downloaded on Jan. 16, 2020.

“Caseology Vault for Apple iPhone 7 Plus Case (2016)—Rugged Matte Finish—Black”, <https://www.amazon.com/dp/B01N2OCQV4>, Earliest review date of Dec. 16 2016, Downloaded on Jan. 16, 2020.

“Caseology Vault for LG G6 Case (2017)—Rugged Matte Finish—Black”, <https://www.amazon.com/dp/B06W52JLH>, Earliest review date of Mar. 28, 2017, Downloaded on Jan. 16, 2020.

“Caseology Nero Tough for iPhone 8 Plus Case (2017) / iPhone 7 Plus Case (2016)—360 Protection—Black”, <https://www.amazon.com/dp/B07534JMM2>, Earliest review date of Aug. 23, 2017, Downloaded on Nov. 19, 2019.

“Spigen Rugged Armor Galaxy S6 Case with Resilient Shock Absorption and Carbon Fiber Design for Galaxy S6 2015—Black”,

<https://www.amazon.com/dp/BOOT6P05ZK>, Earliest review date of Mar. 10, 2015, Downloaded on Jul. 17, 2018.

“Spigen Rugged Armor Galaxy S6 Edge Case with Flexible and Durable Shock Absorption with Carbon Fiber Design for Samsung Galaxy S6 Edge (2015)—Black”, <https://www.amazon.com/dp/B00SVCITW0>, Earliest review date of Mar. 13, 2015, Downloaded on Jul. 17, 2018.

“Spigen Rugged Armor Galaxy Note 5 Case with Resilient Shock Absorption and Carbon Fiber Design for Galaxy Note 5 2015—Black”, <https://www.amazon.com/dp/B010MWFUBY>, Earliest review date of Aug. 23, 2015, Downloaded on Jul. 17, 2018.

“Spigen Rugged Armor iPhone 6S Case with Resilient Shock Absorption and Carbon Fiber Design for iPhone 6S/ iPhone 6—Black”, <https://www.amazon.com/dp/B010MVJM5K>, Earliest review date of Sep. 3, 2015, Downloaded on Jul. 17, 2018.

“Spigen Rugged Armor iPhone 6S Plus Case with Resilient Shock Absorption and Carbon Fiber Design for iPhone 6S Plus 2015—Black”, <https://www.amazon.com/dp/B010MVR76Q>, Earliest review date of Sep. 7, 2015, Downloaded on Jul. 17, 2018.

“Spigen Tough Armor Tech iPhone 6S Case with Extreme Shock and Drop Protection for Apple iPhone 6 / 6S Gunmetal”, <https://www.amazon.com/Spigen-Tough-iPhone-Extreme-Protection/dp/B013TKNSIS>, Earliest review date of Oct. 3, 2015, Downloaded on Jan. 15, 2019.

“Spigen Rugged Armor Samsung Galaxy S7 Case with Resilient Shock Absorption and Carbon Fiber Design for Samsung Galaxy S7 2016—Black”, <https://www.amazon.com/Spigen-Rugged-Designed-Samsung-Galaxy/dp/B01A7ICVVT>, Earliest review date of Feb. 25, 2016, Downloaded on Jul. 17, 2018.

“Spigen Rugged Armor Galaxy S7 Edge Case with Flexible and Durable Shock Absorption with Carbon Fiber Design for Samsung Galaxy S7 Edge (2016)—Black”, <https://www.amazon.com/Spigen-Rugged-Designed-Samsung-Galaxy/dp/B01A7IDHOU>, Earliest review date of Feb. 28, 2016, Downloaded on Jul. 17, 2018.

“Spigen Rugged Armor Galaxy A5 Case with Resilient Shock Absorption and Carbon Fiber Design for Galaxy A5 Black”, <https://www.amazon.com/Spigen-Rugged-Designed-Samsung-Galaxy/dp/B018J07A46>, Earliest review date of Mar. 18, 2016, Downloaded on Jul. 17, 2018.

“Spigen Rugged Armor iPhone Se Case with Resilient Shock Absorption and Carbon Fiber Design for iPhone SE 2016—Black”, <https://www.amazon.com/Spigen-Rugged-iPhone-Resilient-Absorption/dp/B01BEDNUDK>, Earliest review late of Apr. 10, 2016, Downloaded on Jan. 15, 2019.

“Spigen Rugged Armor Honor 5X Case with Resilient Shock Absorption and Carbon Fiber Design for Huawei Honor 5X—Black”, <https://www.amazon.com/Spigen-Rugged-Resilient-Absorption-Carbon/dp/B01DJHDXD2>, Earliest review late of May 1, 2016, Downloaded on Jan. 15, 2019.

“Spigen Rugged Armor HTC 10 Case with Resilient Shock Absorption and Carbon Fiber Design for HTC 10 2016—Black”, <https://www.amazon.com/dp/B01DAN1T4E>, Earliest review date of May 4, 2016, Downloaded on Jul. 18, 2018.

“Spigen Rugged Armor Huawei P8 Lite Case with Resilient Shock Absorption and Carbon Fiber Design for Huawei P8 Lite (2015)—Black”, <https://www.amazon.com/dp/B01DLODME6>, Earliest review date of Jun. 1, 2016, Downloaded on Jul. 18, 2018.

“Spigen Rugged Armor OnePlus 3 Case/OnePlus 3T Case with Resilient Shock Absorption and Carbon Fiber Design for OnePlus 3 2016—Black”, <https://www.amazon.com/dp/B01H3PEWDK>, Earliest review date of Jul. 28, 2016, Downloaded on Jul. 17, 2018.

“Spigen Rugged Armor iPhone 8 Case / iPhone 7 Case with Resilient Shock Absorption and Carbon Fiber Design for Apple iPhone 8 (2017) / iPhone 7 (2016)—Black”, <https://www.amazon.co.uk/Spigen-Rugged-iPhone-Resilient-Absorption/dp/B01GIVX7TA>, Earliest review date of Aug. 2, 2016, downloaded on Oct. 24, 2018.

“Spigen Rugged Armor iPhone 8 Plus/iPhone 7 Plus Case with Resilient Shock Absorption and Carbon Fiber Design for Apple iPhone 8 Plus (2017)/iPhone 7 Plus (2016)—Black”, <https://www.amazon.com/dp/B01GIWGAAC>, Earliest review date of Sep. 2, 2016, Downloaded on Jul. 17, 2018.

(56)

References Cited

OTHER PUBLICATIONS

“Spigen Rugged Armor Huawei P9 Lite Case with Resilient Shock Absorption and Carbon Fiber Design for Huawei P9 Lite—Black”, <https://www.amazon.com/B01DLODJGM>, Earliest review date of Sep. 6, 2016, Downloaded on Jul. 18, 2018.

“Spigen Rugged Armor iPhone 8 Case/iPhone 7 Case with Resilient Shock Absorption and Carbon Fiber Design for Apple iPhone 8 (2017)/iPhone 7 (2016)—Black”, <https://www.amazon.com/dp/B01GIVX7TA>, Earliest review date of Sep. 11, 2016, Downloaded on Jul. 17, 2018.

“Spigen Rugged Armor Google Pixel XL Case with Resilient Shock Absorption and Carbon Fiber Design for Google Pixel XL 2016—Black”, <https://www.amazon.com/dp/B01M1EEXWJ>, Earliest review date of Oct. 2, 2016, Downloaded on Jul. 17, 2018.

“Spigen Rugged Armor LG V20 Case with Resilient Shock Absorption and Carbon Fiber Design for LG V20 2016 Black”, <https://www.amazon.com/dp/B01MOHW9P4>, Earliest review date of Oct. 19, 2016, Downloaded on Jul. 18, 2018.

“Spigen Rugged Armor Honor 8 Case with Resilient Shock Absorption for Huawei Honor 8 2016—Black”, <https://www.amazon.com/dp/B01LXTROW1>, Earliest review date of Oct. 20, 2016, Downloaded on Jul. 18, 2018.

“Spigen Rugged Armor Moto Z Droid Case with Resilient Shock Absorption and Carbon Fiber Design for Moto Z Droid 2016—Black”, <https://www.amazon.com/dp/B01HCACIMBQ>, Earliest review date of Dec. 9, 2016, Downloaded on Jul. 17, 2018.

“Spigen Rugged Armor Galaxy A3 2016 Case with Resilient Shock Absorption and Carbon Fiber Design for Galaxy A3 2016—Black”, <https://www.amazon.com/Spigen-Rugged-Armor-Samsung-Galaxy/dp/B01HFMYLIC>, Earliest review date of Dec. 18, 2016, Downloaded on Jul. 17, 2018.

“Spigen Rugged Armor ZenFone 3 Max Case (ZC520TL) with Resilient Shock Absorption and Carbon Fiber Design for Asus ZenFone 3 Max (ZC520TL)—Black”, <https://www.amazon.com/dp/B01MSDJO7C>, Earliest review date of Mar. 9, 2017, Downloaded on Jul. 18, 2018.

“Spigen Rugged Armor Extra Designed for LG G6 Case (2017) / Designed for LG G6 Plus (2017)—Black”, <https://www.amazon.com/Spigen-Rugged-Resilient-Absorption-Carbon/dp/B01N6T9PHS>, Earliest review date of Mar. 28, 2017, Downloaded on Jan. 9, 2020.

“Spigen Rugged Armor LG G6 Case/G6 Plus Case with Resilient Shock Absorption and Carbon Fiber Design for LG 36/G6 Plus (2017)—Black”, <https://www.amazon.com/dp/B01MUCZILA>, Earliest review date of Mar. 30, 2017, Downloaded on Jul. 18, 2018.

“Spigen Rugged Armor Galaxy S8 Plus Case with Resilient Shock Absorption and Carbon Fiber Design for Galaxy S8 Plus (2017)—Black”, <https://www.amazon.com/Spigen-Rugged-Designed-Samsung-Galaxy/dp/B06XNW4ZVJ>, Earliest review date of Apr. 3, 2017, Downloaded on Jul. 17, 2018.

“Spigen Rugged Armor Galaxy S8 Case with Resilient Shock Absorption and Carbon Fiber Design for Samsung Galaxy S8 (2017)—Black”, <https://www.amazon.com/Spigen-Rugged-Designed-Samsung-Galaxy/dp/B06XNNJ4KM>, Earliest review date of Apr. 7, 2017, Downloaded on Jul. 17, 2018.

Spigen, “Spigen Rugged Armor Extra”, <https://www.youtube.com/watch?v=ILUEjn1P2hk>, Published May 26, 2017, downloaded on Jan. 9, 2020.

“Spigen Rugged Armor Huawei P10 Plus Case with Resilient Shock Absorption and Carbon Fiber Design for Huawei P10 Plus(2017)—Rugged Armor”, <https://www.amazon.com/dp/B06XFZW779>, Earliest review date of May 26, 2017, Downloaded on Jul. 18, 2018.

“Spigen Rugged Armor Galaxy J7 2017 Case, J7 Prime, J7 2017(At &T), J7 Sky Pro, J7 Perx case with Resilient Shock Absorption and Carbon Fiber Design for Samsung Galaxy J7 V 2017—Black”, <https://www.amazon.com/Spigen-Rugged-Resilient-Absorption-Samsung/dp/B06WRRF36B>, Earliest review date of May 31, 2017, Downloaded on Jan. 15, 2019.

“Spigen Rugged Armor Huawei P10 Lite Case with Resilient Shock Absorption and Carbon Fiber Design for Huawei P10 Lite (2017)—

Black”, <https://www.amazon.com/dp/B06XCNQ3S4>, Earliest review date of Jun. 7, 2017, Downloaded on Jul. 18, 2018.

“Spigen Rugged Armor Huawei P10 Case with Resilient Shock Absorption and Carbon Fiber Design for Huawei P10 (2017)—Black”, <https://www.amazon.com/dp/B06XCTQR1W>, Earliest review date of Jun. 8, 2017, Downloaded on Jul. 18, 2018.

“Spigen Rugged Armor HTC U11 Case with Resilient Shock Absorption and Carbon Fiber Design for HTC U 11 (2017)—Black”, <https://www.amazon.com/dp/B07234FLGX>, Earliest review date of Jun. 17, 2017, Downloaded on Jul. 18, 2018.

“Spigen Rugged Armor Huawei P8 Lite 2017 Case with Resilient Shock Absorption and Carbon Fiber Design for Huawei P8 Lite (2017)/nova lite/P9 lite 2017/Honor 8 lite—Black”, <https://www.amazon.com/dp/B06XFVXMLN>, Earliest review date of Jun. 24, 2017, Downloaded on Jul. 18, 2018.

“Spigen Rugged Armor Extra Galaxy Temp Case with Resilient Shock Absorption and Carbon Fiber Design for Galaxy Temp (2017)—Black”, <https://www.amazon.com/Spigen-Rugged-Galaxy-Resilient-Absorption/dp/B01MTEQVNB>, Earliest review date of Jul. 6, 2017, downloaded on Jan. 9, 2020.

“Spigen Rugged Armor Sony Xperia XZ Premium Case with Resilient Shock Absorption and Carbon Fiber Design for Sony Xperia XZ Premium (2017)—Black”, <https://www.amazon.com/dp/B072PRXPQC>, Earliest review date of Jul. 14, 2017, Downloaded on Jul. 18, 2018.

“Spigen Rugged Armor OnePlus 5 Case with Resilient Shock Absorption and Carbon Fiber Design for OnePlus 5 (2017)—Black”, <https://www.amazon.com/dp/B06XG19W3G>, Earliest review date of Jul. 25, 2017, Downloaded on Jul. 17, 2018.

“Spigen Rugged Armor Moto Z2 Play Case with Resilient Shock Absorption and Carbon Fiber Design for Moto Z2 Play Black”, <https://www.amazon.com/dp/B071WR4H9V>, Earliest review date of Jul. 27, 2017, Downloaded on Jul. 17, 2018.

“Spigen Rugged Armor Galaxy Note 8 Case with Resilient Shock Absorption and Carbon Fiber Design for Galaxy Note 3 (2017)—Matte Black”, <https://www.amazon.com/Spigen-Rugged-Galaxy-Resilient-Absorption/dp/B073RWJ6Z7>, Earliest review date of Aug. 26, 2017, Downloaded on Jan. 15, 2019.

“Spigen Rugged Armor Galaxy Note 8 Case with Resilient Shock Absorption and Carbon Fiber Design for Galaxy Note 3 (2017)—Matte Black”, <https://www.amazon.com/Spigen-Rugged-Designed-Samsung-Galaxy/dp/B073RWJ6Z7>, Earliest review date of Aug. 24, 2017, Downloaded on Jul. 17, 2018.

“Spigen Rugged Armor Moto E4 Case with Resilient Shock Absorption and Carbon Fiber Design for Moto E4 (2017) Black”, <https://www.amazon.com/Spigen-Rugged-Armor-Designed-Motorola/dp/B073RVC6YY>, Earliest review date of Sep. 5, 2017, Downloaded on Jul. 17, 2018.

“Spigen Rugged Armor Extra Designed for Apple iPhone 7 Case (2016)—Black”, <https://www.amazon.com/Spigen-Rugged-iPhone-Resilient-Absorption/dp/B06XC8WL7P>, Earliest review date of Sep. 7, 2017, downloaded on Jan. 9, 2020.

“Spigen Rugged Armor Moto Z2 Force Case with Resilient Shock Absorption and Carbon Fiber Design for Moto Z2 Force (2017)—Black”, <https://www.amazon.com/Spigen-Rugged-Resilient-Absorption-Carbon/dp/B074BCC6K7>, Earliest review date of Sep. 23, 2017, downloaded on Jul. 17, 2018.

“Spigen Rugged Armor Designed for Apple iPhone Xs Case (2018) / Designed for Apple iPhone X Case (2017)—Matte Black”, <https://www.amazon.com/Spigen-Rugged-Armor-Designed-iPhone/dp/B074CNF6YW>, Earliest review date of Sep. 28, 2017, Downloaded on Jan. 15, 2019.

“Spigen Rugged Armor iPhone X Case with Resilient Shock Absorption and Carbon Fiber Design for Apple iPhone X (2017)—Matte Black”, <https://www.amazon.com/dp/B074CNF6YW>, Earliest review date of Sep. 28, 2017, Downloaded on Jan. 17, 2018.

“Spigen Rugged Armor LG V30 with Resilient Shock Absorption and Carbon Fiber Design for LG V30 (2017)—Black”, <https://www.amazon.com/dp/B071JV1L9Z>, Earliest review date of Oct. 15, 2017, Downloaded on Jul. 17, 2018.

“Spigen Rugged Armor Google Pixel 2 Case with Resilient Shock Absorption and Carbon Fiber Design for Google Pixel 2 (2017)—

(56)

References Cited

OTHER PUBLICATIONS

Black”, <https://www.amazon.com/Spigen-Rugged-Google-Resilient-Absorption/dp/B07471C38C>, Earliest review date of Oct. 10, 2017, Downloaded on Jan. 5, 2019.

“Spigen Rugged Armor Google Pixel 2 Case with Resilient Shock Absorption and Carbon Fiber Design for Google Pixel 2 (2017)—Black”, <https://www.amazon.com/dp/B07471C38C>, Earliest review date of Oct. 10, 2017, Downloaded on Jan. 17, 2018.

“Spigen Rugged Armor Google Pixel 2 XL Case with Resilient Shock Absorption and Carbon Fiber Design for Google Pixel 2 XL (2017)—Black”, <https://www.amazon.com/Spigen-Rugged-Google-Resilient-Absorption/dp/B07475TXJQ>, Earliest review date of Oct. 11, 2017, Downloaded on Jan. 5, 2019.

“Spigen Rugged Armor Moto X4 Case with Resilient Shock Absorption and Carbon Fiber Design for Moto X4—Black”, <https://www.amazon.com/dp/B072N3WT4J>, Earliest review date of Oct. 22, 2017, Downloaded on Jul. 17, 2018.

“Spigen Rugged Armor Galaxy A8 (2016) Case with Resilient Shock Absorption and Carbon Fiber Design for Galaxy A8 (2016)—Black”, <https://www.amazon.com/dp/B01M26EX8X>, Earliest review date of Oct. 25, 2017, Downloaded on Jan. 17, 2018.

“Spigen Rugged Armor Zte Axon 7 Case with Resilient Shock Absorption and Carbon Fiber Design for Zte Axon 7—Black”, <https://www.amazon.com/dp/B01DCS2BQW>, Earliest review date of Nov. 22, 2017, Downloaded on Jul. 18, 2018.

“Spigen Rugged Armor Sony Xperia XZ1 Case with Resilient Shock Absorption and Carbon Fiber Design for Sony Xperia XZ1 (2017)—Black”, <https://www.amazon.com/dp/B075DRB8TX>, Earliest review date of Nov. 22, 2017, Downloaded on Jul. 18, 2018.

“Spigen Rugged Armor Huawei Honor 7X Case/Huawei Mate SE Case with Resilient Shock Absorption and Carbon Fiber Design for Huawei Honor 7X (2017)/Huawei Mate SE (2018)—Black”, <https://www.amazon.com/dp/B076V3D2F5>, Earliest review date of Dec. 19, 2017, Downloaded on Jul. 18, 2018.

“Spigen Rugged Armor OnePlus 5T Case with Resilient Shock Absorption and Carbon Fiber Design for OnePlus 5T (2017)—Black”, <https://www.amazon.com/dp/B077H6RVD6>, Earliest review date of Dec. 25, 2017, Downloaded on Jul. 17, 2018.

“Spigen Rugged Armor Honor 9 Case with Resilient Shock Absorption and Carbon Fiber Design for Honor 9—Black”, <https://www.amazon.com/dp/B071GPHBFF>, Earliest review date of Jan. 2, 2018, Downloaded on Jul. 18, 2018.

“Spigen Rugged Armor Galaxy J3 Prime case/Galaxy J3 Luna Pro case/Galaxy J3 Emerge Case with Resilient Shock Absorption and Carbon Fiber Design for Galaxy J3 Emerge/Galaxy J3/J3 2017—Black”, <https://www.amazon.com/dp/B0746RC5BJ>, Earliest review date of Jan. 5, 2018, Downloaded on Jul. 17, 2018.

“Spigen Rugged Armor Honor 5X Case with Resilient Shock Absorption and Carbon Fiber Design for Huawei Honor 5X—Black”, <https://www.amazon.com/dp/B01DJHXXD2>, Earliest review date of Jan. 22, 2018, Downloaded on Jul. 18, 2018.

“Spigen Rugged Armor Razer Phone Case with Flexible and Durable Shock Absorption with Carbon Fiber Design for Razer Phone (2017)—Black”, <https://www.amazon.com/dp/B078KJQH5V>, Earliest review date of Feb. 8, 2018, Downloaded on Jul. 17, 2018.

“Spigen Rugged Armor Galaxy S9 Case with Flexible and Durable Shock Absorption with Carbon Fiber Design for Samsung Galaxy S9 (2018)—Matte Black”, <https://www.amazon.com/dp/B078BJQMPG>, Earliest review date of Mar. 3, 2018, Downloaded on Jul. 17, 2018.

“Spigen Rugged Armor Galaxy S9 Plus Case with Flexible and Durable Shock Absorption with Carbon Fiber Design for Samsung Galaxy S9 Plus (2018)—Matte Black”, <https://www.amazon.com/dp/B0789S2MPW>, Earliest review date g Mar. 9, 2018, Downloaded on Jul. 17, 2018.

“Spigen Rugged Armor Mi A1 /Mi 5X Case with Flexible and Durable Shock Absorption with Carbon Fiber Design for Xiaomi Mi

A1 /Mi SX (2017)—Black”, <https://www.amazon.com/dp/B078Z531CZ>, Earliest review date of Mar. 19, 2018, Downloaded on Jul. 18, 2018.

“Spigen Rugged Armor Designed for LG G7 ThinQ Case (2018)—Black”, <https://www.amazon.com/Spigen-Rugged-Armor-Designed-ThinQ/dp/B078MVT3GJ>, Earliest review date of Jun. 2, 2018, Downloaded on Jan. 15, 2019.

“Spigen Rugged Armor Moto G6 Case with Flexible and Durable Shock Absorption with Carbon Fiber Design for Motorola Moto G6 (2018)—Black”, <https://www.amazon.com/Spigen-Flexible-Durable-Absorption-Motorola/dp/B079LS3T4T>, Earliest review date of Jun. 11, 2018, Downloaded on Jan. 15, 2019.

“Spigen Rugged Armor Moto G6 Case with Flexible and Durable Shock Absorption with Carbon Fiber Design for Motorola Moto G6 (2018)—Black”, <https://www.amazon.com/dp/B079LS3T4T>, Earliest review date of Jun. 22, 2018, Downloaded on Jul. 17, 2018.

“Spigen Rugged Armor Moto G5S Plus Case with Resilient Shock Absorption and Carbon Fiber Design for Moto G5S Plus—Black”, <https://www.amazon.com/dp/B0731QBBYY>, Earliest review date of Jul. 3, 2018, Downloaded on Jan. 15, 2019.

“Spigen Rugged Armor Design for Apple iPad 9/ Case iPad Case (2017/2018)—Black”, <https://www.amazon.com/Spigen-Rugged-Armor-Design-Apple/dp/B07CTZS3KJ>, Earliest review date of Jul. 25, 2018, Downloaded on Jan. 15, 2019.

“Spigen Rugged Armor Galaxy J7 Refine Case/Galaxy J7 2018 Case/Galaxy J7 Star Case with Flexible and Durable Shock Absorption with Carbon Fiber Design for Samsung Galaxy J7 (2018)—Black”, <https://www.amazon.com/Spigen-Flexible-Durable-Absorption-Samsung/dp/B07DHTP1WZ>, Earliest review date of Aug. 7, 2018, Downloaded on Jan. 15, 2019.

“Spigen Rugged Armor LG Stylo 4 Phone Case/LG Stylo 4 Case/Q Stylus Case/LG Stylo 4 Case with Flexible and Durable Shock Absorption with Carbon Fiber Design for LG Stylo 4 (2018)—Black”, <https://www.amazon.com/Spigen-Rugged-Flexible-Durable-Absorption/dp/B07DHTL8G>, Earliest review date of Aug. 12, 2018, Downloaded on Jan. 15, 2019.

“Spigen Rugged Armor Galaxy Note 9 Case with Resilient Shock Absorption and Carbon Fiber Design for Galaxy Note) (2018)—Matte Black”, <https://www.amazon.com/Spigen-Rugged-Galaxy-Resilient-Absorption/dp/B07FLXM5KJ>, Earliest review date of Aug. 14, 2018, Downloaded on Jan. 15, 2019.

“Spigen Rugged Armor Moto Z3 / Moto Z3 Play Case with Air Cushion Technology for Motorola Moto Z3 / Moto Z3 Play (2018)—Black”, <https://www.amazon.com/Spigen-Rugged-Cushion-Technology-Motorola/dp/B07DRXMCZ3>, Earliest review date of Aug. 25, 2018, Downloaded on Jan. 15, 2019.

“Spigen Rugged Armor Designed for Apple iPhone Xs MAX Case (2018)—Matte Black”, <https://www.amazon.com/Spigen-Rugged-Armor-Designed-iPhone/dp/B07GT9VYKF>, Earliest review date of Sep. 21, 2018, Downloaded on Jan. 15, 2019.

“Spigen Rugged Armor Designed for Google Pixel 3 XL Case (2018)—Black”, <https://www.amazon.com/Spigen-Rugged-Armor-Designed-Google/dp/B07H5T6DQ8>, Earliest review date of Oct. 13, 2018, Downloaded on Jan. 15, 2019.

“Spigen Rugged Armor Designed for Google Pixel 3 Case (2018)—Black”, <https://www.amazon.com/Spigen-Rugged-Armor-Designed-Google/dp/B07H5S33FL>, Earliest review date of Oct. 14, 2018, Downloaded on Jan. 15, 2019.

“Spigen Rugged Armor Designed for Apple iPhone XR Case (2018)—Matte Black”, <https://www.amazon.com/Spigen-Rugged-Armor-Designed-iPhone/dp/B07GJKPM1D>, Earliest review date of Oct. 20, 2018, Downloaded on Jan. 15, 2019.

“Spigen Rugged Armor Designed for LG V40 ThinQ Case (2018)—Black”, <https://www.amazon.com/Spigen-Rugged-Armor-Designed-ThinQ/dp/B07GQBN1MX>, Earliest review date of Oct. 21, 2018, Downloaded on Jan. 15, 2019.

“Samsung Galaxy J7 Unicorn Beetle Pro Full Body Rugged Holster Case”, <https://www.i-blason.com/samsung-galaxy-7-unicorn-beetle-pro-case>, Earliest review date of Dec. 14, 2017, Downloaded on Aug. 8, 2019.

* cited by examiner

FIG. 1

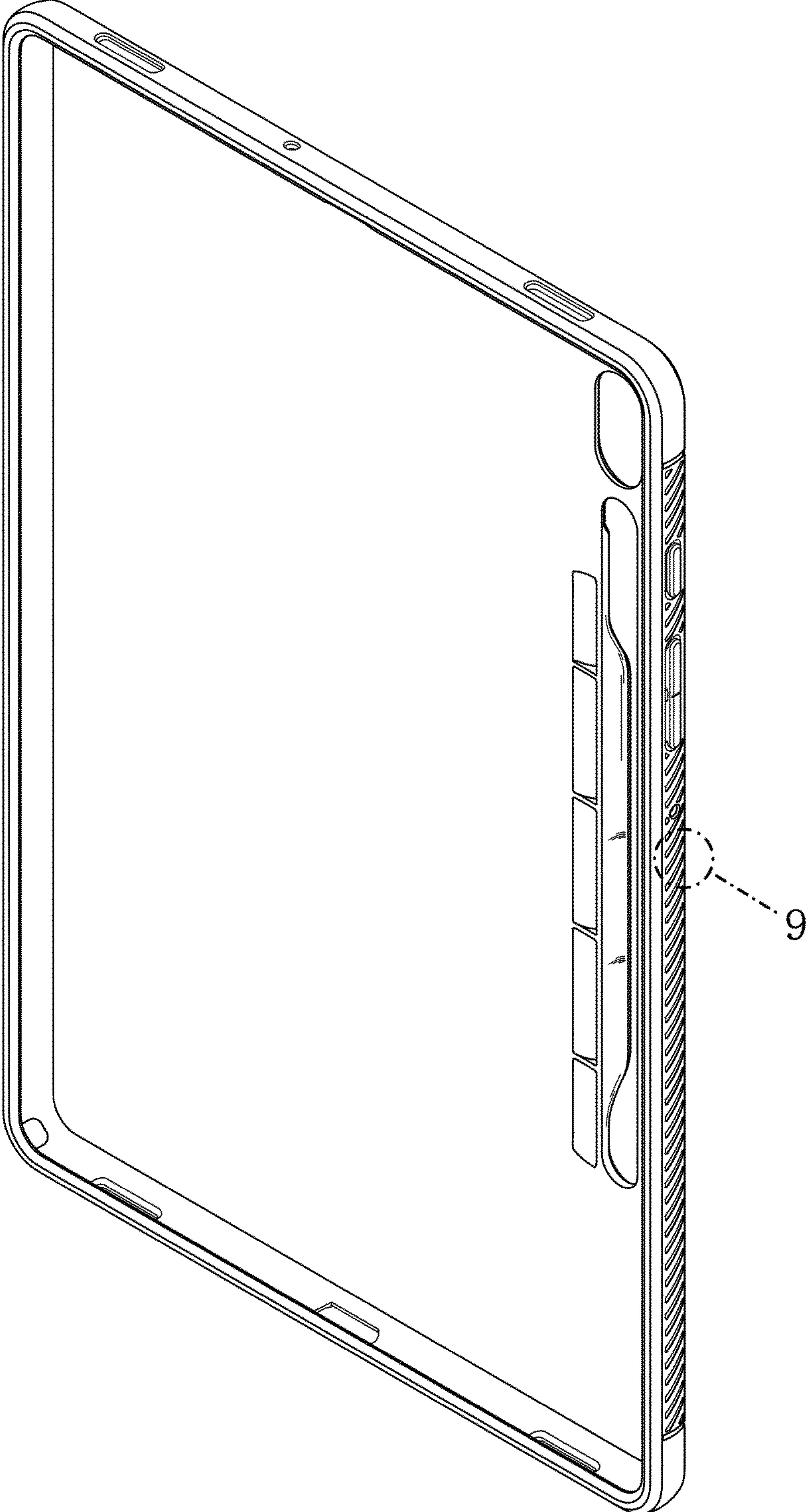


FIG. 2

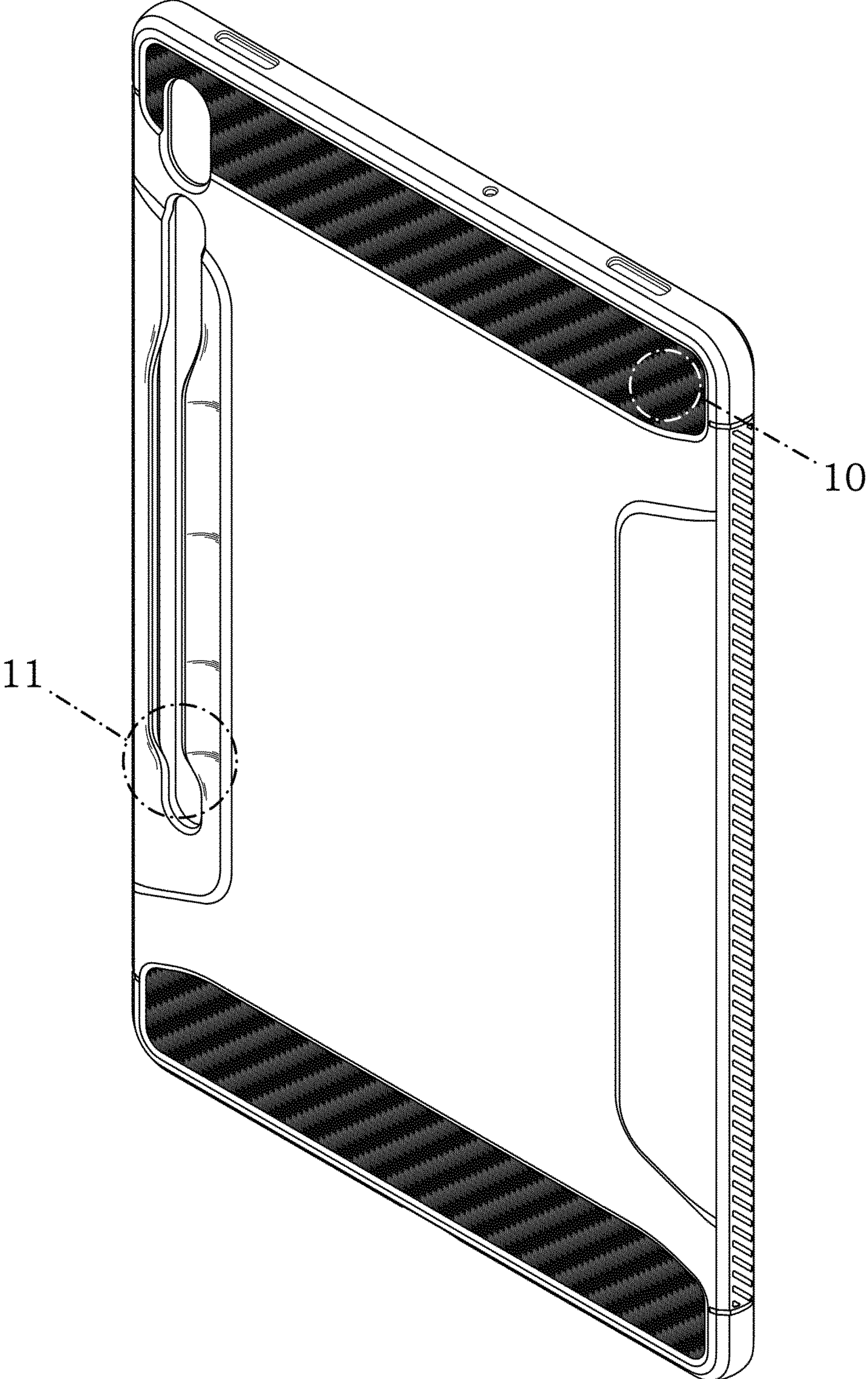


FIG. 3

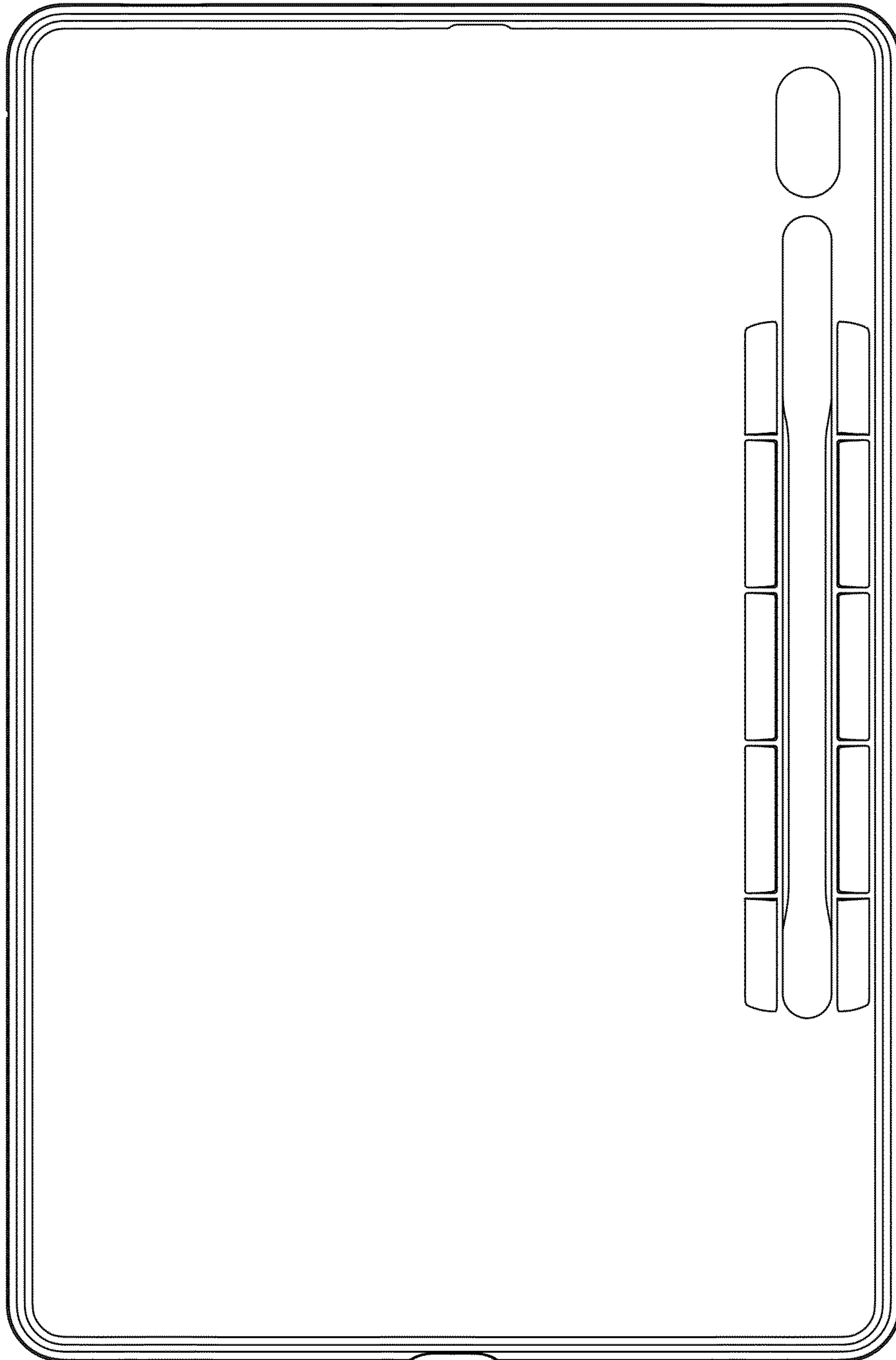


FIG. 4

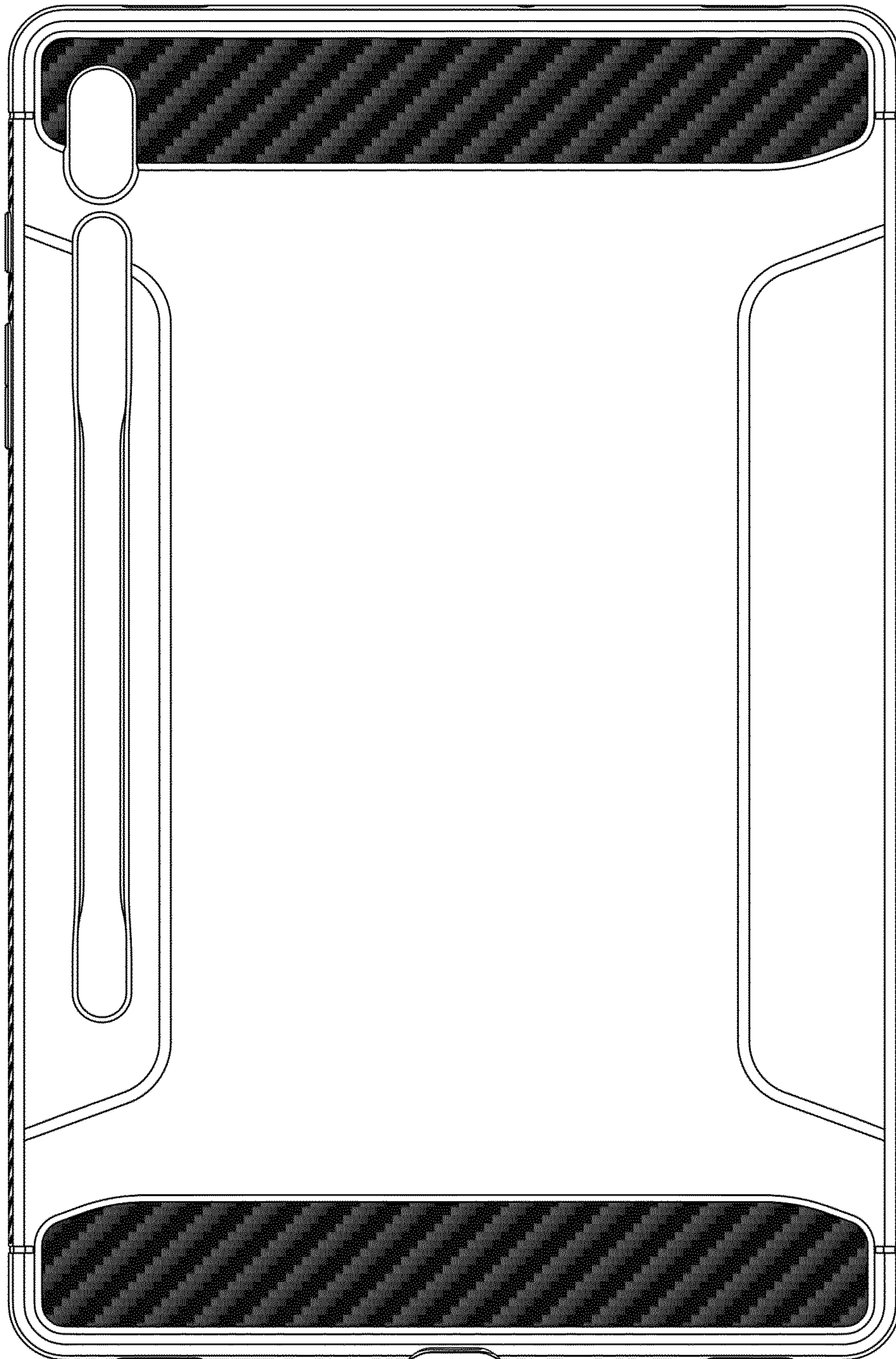


FIG. 5

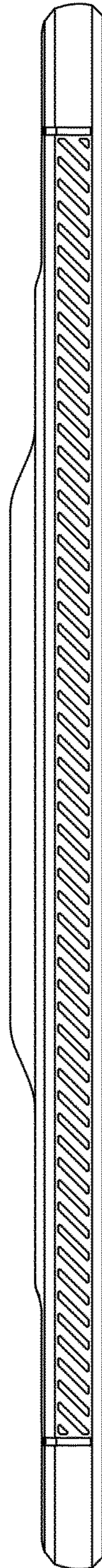


FIG. 6

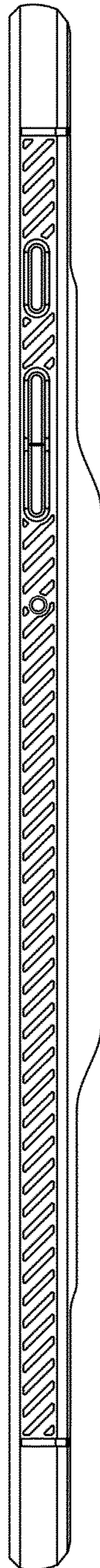


FIG. 7



FIG. 8

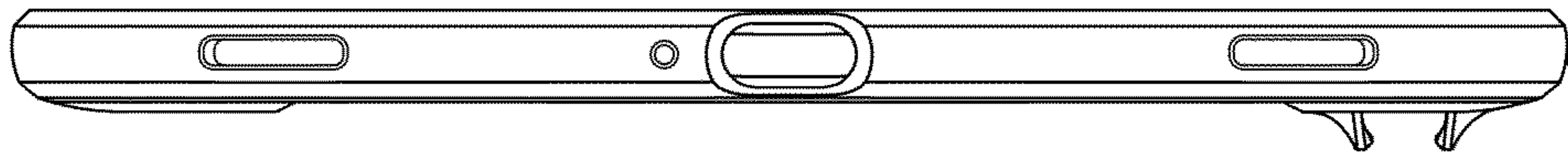


FIG. 9

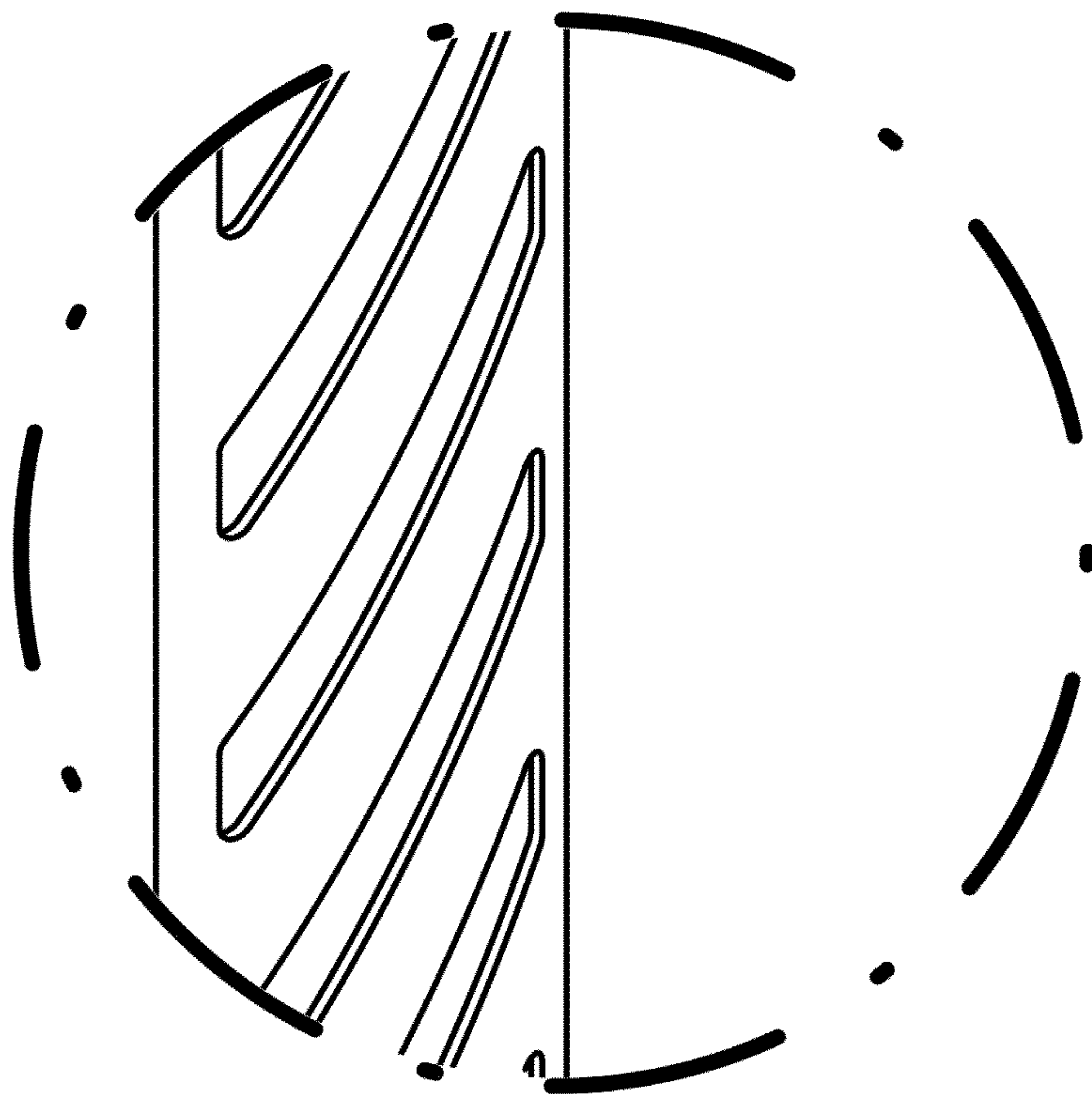


FIG. 10

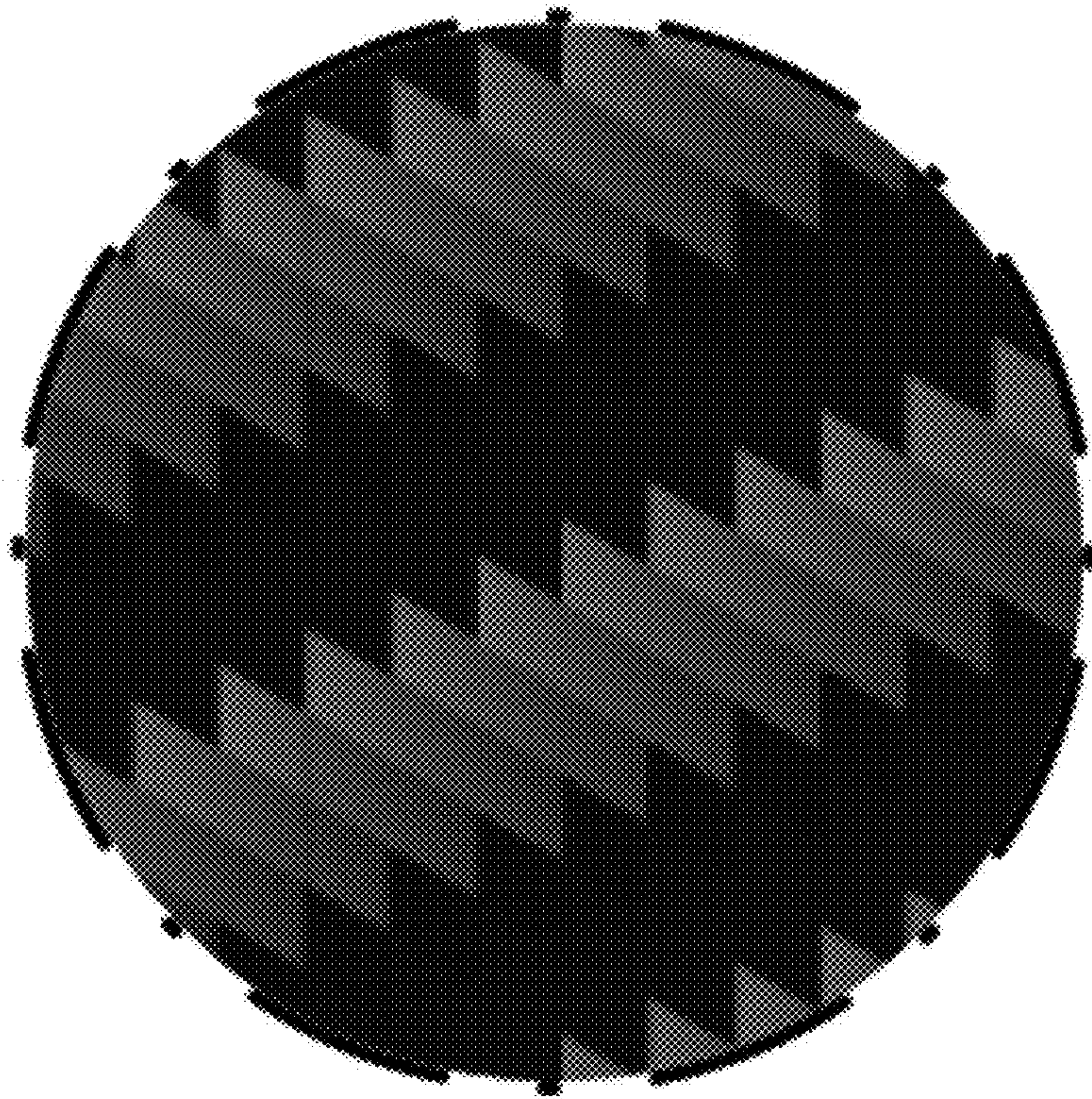


FIG. 11

