



US00D905694S

(12) **United States Design Patent**
Goh et al.

(10) **Patent No.:** **US D905,694 S**

(45) **Date of Patent:** **** *Dec. 22, 2020**

(54) **INFORMATION HANDLING SYSTEM
STYLUS DOCK**

(71) Applicant: **Dell Products L.P.**, Round Rock, TX
(US)

(72) Inventors: **Eddie Goh**, Taipei (TW); **Jihun Yeom**,
Seoul (KR); **An-Chung Hsieh**, New
Taipei (TW); **Justin Cole Lyles**, Austin,
TX (US)

(73) Assignee: **Dell Products L.P.**, Round Rock, TX
(US)

(*) Notice: This patent is subject to a terminal dis-
claimer.

(**) Term: **15 Years**

(21) Appl. No.: **29/671,870**

(22) Filed: **Nov. 30, 2018**

(51) **LOC (12) Cl.** **14-02**

(52) **U.S. Cl.**
USPC **D14/439**; D14/315

(58) **Field of Classification Search**
USPC ... D14/411, 439, 434, 432, 433, 435, 435.1,
D14/356, 357, 358, 440, 447, 300, 301,
D14/302, 314, 348, 389, 363, 365, 451,
D14/452, 454, 388, 390, 315, 341;
D19/202, 88, 99, 101, 102, 113
CPC . G06F 1/16; G06F 1/1616; G06F 1/26; G06F
1/266; G06F 1/1632; G06F 1/1643; G06F
2200/1632
See application file for complete search history.

(56) **References Cited**

U.S. PATENT DOCUMENTS

D307,134 S * 4/1990 Makidera D14/342
D312,449 S * 11/1990 Komada D14/389
5,067,573 A * 11/1991 Uchida G06F 1/1626
345/173
D333,814 S * 3/1993 Swanson D14/390

(Continued)

Primary Examiner — Marie D. Fast Horse

(74) *Attorney, Agent, or Firm* — Zagorin Cave LLP;
Robert W. Holland

(57) **CLAIM**

We claim the ornamental design for an information handling
system stylus dock, as shown and described.

DESCRIPTION

FIG. 1 is a perspective view of the information handling
system stylus dock comprising the present invention,
wherein the information handling system is configured into
a tablet state;

FIG. 2 is a rear elevation view thereof;

FIG. 3 is a front elevation view thereof;

FIG. 4 is a top view thereof;

FIG. 5 is a bottom view thereof;

FIG. 6 is a left angled perspective view thereof;

FIG. 7 is a right angled perspective view thereof;

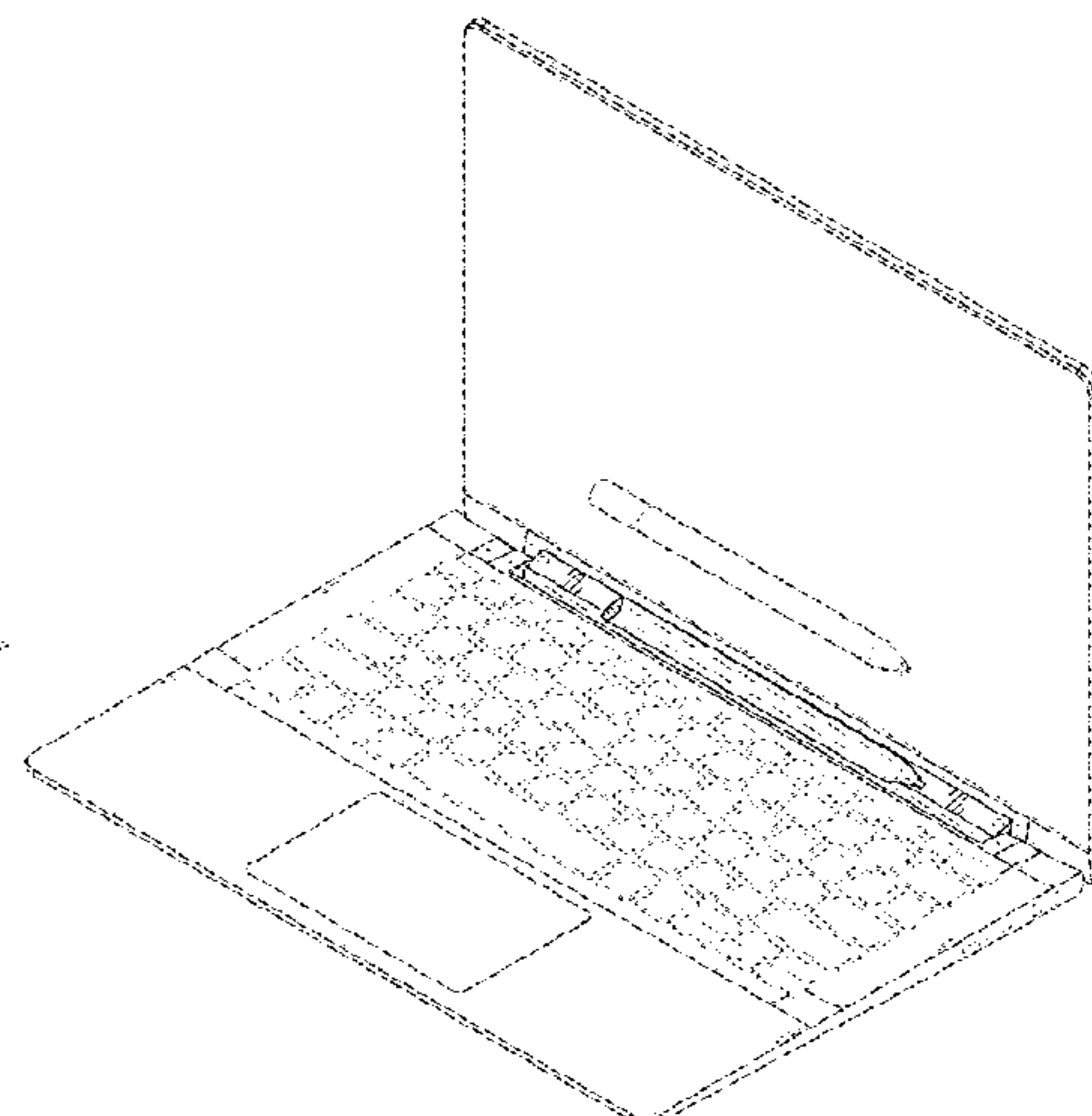
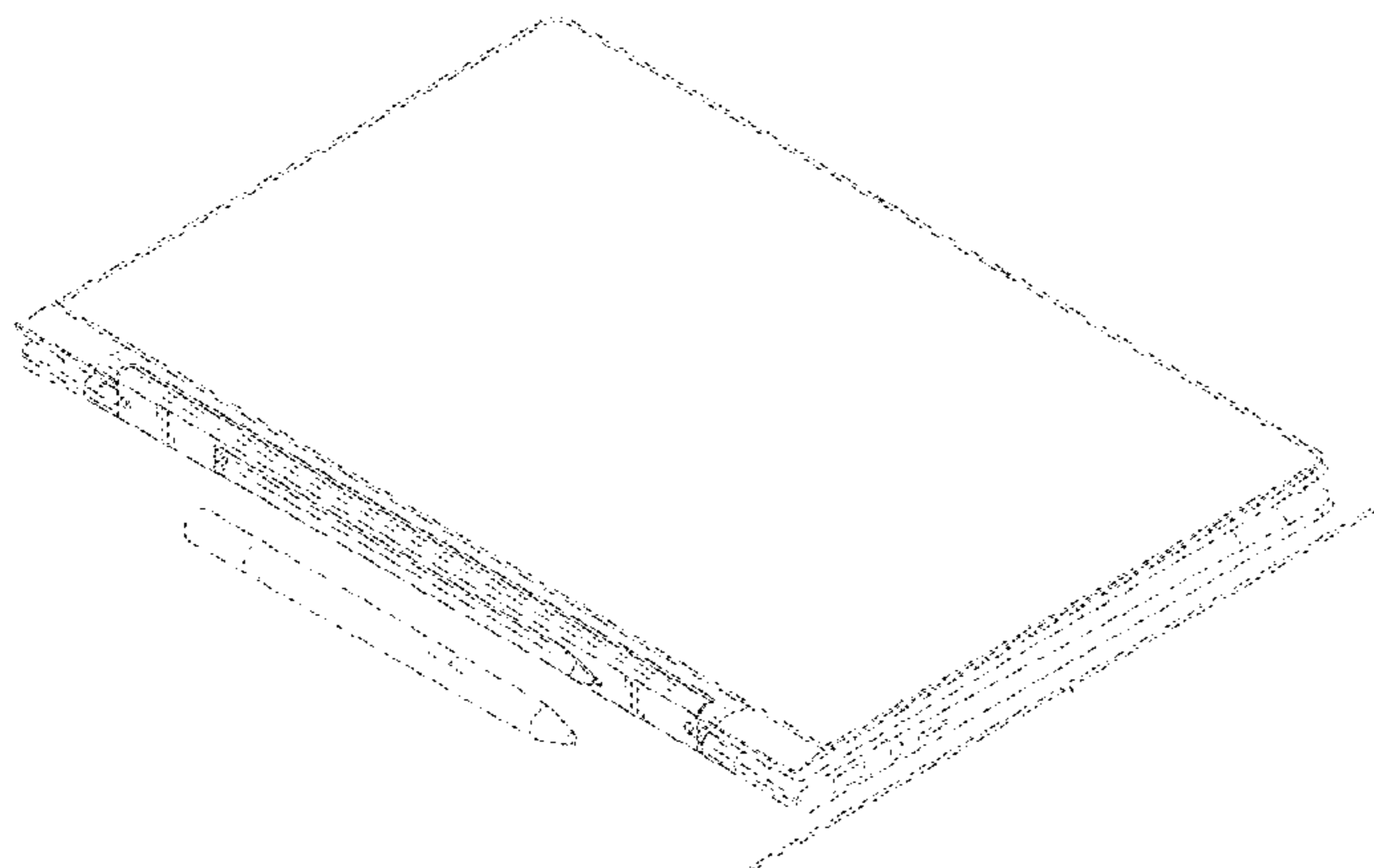
FIG. 8 is a bottom perspective view thereof, wherein the
information handling system is configured into a closed
state;

FIG. 9 is an open perspective view thereof, wherein the
information handling system is configured into an open
clamshell state; and,

FIG. 10 is left upper perspective view thereof, wherein the
information handling system is configured in a tent state.

The broken lines consisting of unevenly sized dashes define
the boundary of the claim, which extends to the boundary
but does not include the boundary. The broken lines showing
the stylus in FIGS. 1, 2, 3, 4, 5, 6, 7, 9 and 10 depict
environment only and form no part of the claim, while all
other broken lines depict portions of the information han-
dling system stylus dock that form no part of the claimed
design.

1 Claim, 8 Drawing Sheets



(56)

References Cited

U.S. PATENT DOCUMENTS

| | | | | | | |
|--------------|------|---------|------------------|-------|--------------|---------|
| 5,200,913 | A * | 4/1993 | Hawkins | | G06F 1/1615 | D14/315 |
| D338,015 | S * | 8/1993 | Mohri | | | D14/239 |
| D345,147 | S * | 3/1994 | Fukutake | | | D14/342 |
| D346,591 | S * | 5/1994 | Lee | | | D14/342 |
| D349,690 | S * | 8/1994 | Miyata | | | D14/339 |
| D353,803 | S * | 12/1994 | Kuzumoto | | | D14/341 |
| D356,824 | S * | 3/1995 | Mak | | | D19/113 |
| 5,401,917 | A * | 3/1995 | Yoshida | | G06F 3/03545 | D14/315 |
| | | | | | 178/19.01 | |
| D359,984 | S * | 7/1995 | Mak | | | D14/390 |
| D362,662 | S * | 9/1995 | Baudot | | | D14/389 |
| D376,583 | S * | 12/1996 | Ishiura | | | D14/389 |
| D395,639 | S * | 6/1998 | Ham | | | D14/389 |
| D398,292 | S * | 9/1998 | Matsumoto | | | D14/389 |
| D428,003 | S * | 7/2000 | Lee | | | D14/315 |
| D432,133 | S * | 10/2000 | Oross | | | D14/439 |
| D435,047 | S * | 12/2000 | Suzuki | | | D14/439 |
| D446,548 | S * | 8/2001 | Green | | | D19/81 |
| D448,765 | S * | 10/2001 | Cohen | | | D14/341 |
| D458,268 | S * | 6/2002 | Lee | | | D14/439 |
| D461,802 | S * | 8/2002 | Tu | | | D14/341 |
| D496,658 | S * | 9/2004 | Koloski | | | D14/341 |
| D501,853 | S * | 2/2005 | Koloski | | | D14/341 |
| D503,170 | S * | 3/2005 | Leviel | | | D14/341 |
| 7,035,665 | B2 * | 4/2006 | Kido | | G06F 1/1616 | D14/315 |
| | | | | | 379/433.13 | |
| D534,215 | S * | 12/2006 | Nakata | | | D19/113 |
| 7,181,256 | B2 * | 2/2007 | Hyun | | H04M 1/0216 | D14/315 |
| | | | | | 345/173 | |
| D550,364 | S * | 9/2007 | Glover | | | D24/186 |
| 7,385,596 | B2 * | 6/2008 | Lin | | G06F 1/1613 | D14/315 |
| | | | | | 178/18.01 | |
| D584,313 | S * | 1/2009 | Pittel | | | D14/434 |
| D616,439 | S * | 5/2010 | Mugica | | | D14/383 |
| D624,051 | S * | 9/2010 | Shimizu | | | D14/217 |
| D631,043 | S * | 1/2011 | Kell | | | D14/341 |
| D631,880 | S * | 2/2011 | Hirota | | | D14/383 |
| D651,206 | S * | 12/2011 | Kim | | | D14/315 |
| D658,172 | S * | 4/2012 | Lee | | | D14/342 |
| D659,693 | S * | 5/2012 | TerMeer | | | D14/342 |
| D661,308 | S * | 6/2012 | Capozzoli, II | | | D14/447 |
| D665,799 | S * | 8/2012 | Massaro | | | D14/315 |
| D666,197 | S * | 8/2012 | Ashcraft | | | D14/315 |
| D672,355 | S * | 12/2012 | Lee | | | D14/447 |
| D683,343 | S * | 5/2013 | Wen | | | D14/315 |
| D685,381 | S * | 7/2013 | Symons | | | D14/447 |
| D691,129 | S * | 10/2013 | Akana | | | D14/315 |
| D696,245 | S * | 12/2013 | Lee | | | D14/315 |
| D700,909 | S * | 3/2014 | Bowser | | | D14/411 |
| D705,771 | S * | 5/2014 | Kubota | | | D14/315 |
| D706,261 | S * | 6/2014 | Sharma | | | D14/341 |
| D708,604 | S * | 7/2014 | Tanner | | | D14/315 |
| D712,900 | S * | 9/2014 | Miki | | | D14/345 |
| D722,057 | S * | 2/2015 | Schoenith | | | D14/440 |
| D723,036 | S * | 2/2015 | Longo | | | D14/411 |
| D726,710 | S * | 4/2015 | Lee | | | D14/411 |
| D726,711 | S * | 4/2015 | Lee | | | D14/315 |
| D726,713 | S * | 4/2015 | Lee | | | D14/315 |
| D729,801 | S * | 5/2015 | Daniel | | | D14/307 |
| D734,758 | S * | 7/2015 | Myung | | | D14/439 |
| D736,761 | S * | 8/2015 | Tanner | | | D14/315 |
| 9,144,279 | B2 * | 9/2015 | Venida | | A45C 11/34 | D14/315 |
| D741,317 | S * | 10/2015 | Kang | | | D14/434 |
| D742,871 | S * | 11/2015 | Schoenith | | | D14/315 |
| D753,123 | S * | 4/2016 | Probst | | | D14/440 |
| D766,233 | S * | 9/2016 | Lam | | | D14/315 |
| D775,624 | S * | 1/2017 | Kong | | | D14/315 |
| D784,344 | S * | 4/2017 | Myung | | | D14/439 |
| D789,373 | S * | 6/2017 | King | | | D14/434 |
| D789,374 | S * | 6/2017 | King | | | D14/434 |
| D798,304 | S * | 9/2017 | Sung | | | D14/447 |
| D811,409 | S * | 2/2018 | Zhong | | | D14/432 |
| D816,666 | S * | 5/2018 | Jiang | | | D14/341 |
| D827,646 | S * | 9/2018 | Mitchell | | | D14/389 |
| D829,708 | S * | 10/2018 | Wu | | | D14/315 |
| D830,368 | S * | 10/2018 | Zhang | | | D14/440 |
| D832,256 | S * | 10/2018 | King | | | D14/432 |
| D834,582 | S * | 11/2018 | Zhuang | | | D14/440 |
| D837,218 | S * | 1/2019 | Ham | | | D14/440 |
| D837,793 | S * | 1/2019 | Ham | | | D14/440 |
| D839,271 | S * | 1/2019 | King-Murrey | | | D14/432 |
| D850,452 | S * | 6/2019 | Akana | | | D14/440 |
| D852,192 | S * | 6/2019 | Mitchell | | | D14/389 |
| D855,052 | S * | 7/2019 | Jiang | | | D14/341 |
| D860,196 | S * | 9/2019 | Fan | | | D14/341 |
| D863,318 | S * | 10/2019 | Zhang | | | D14/447 |
| D864,196 | S * | 10/2019 | Wei | | | D14/341 |
| D869,457 | S * | 12/2019 | Tzou | | | D14/317 |
| D869,458 | S * | 12/2019 | Tzou | | | D14/317 |
| D874,457 | S * | 2/2020 | Oakley | | | D14/327 |
| 2006/0044288 | A1 * | 3/2006 | Nakamura | | G06F 3/03545 | D14/315 |
| | | | | | 345/179 | |
| 2011/0102979 | A1 | 5/2011 | Jinkinson et al. | | | |
| 2014/0029183 | A1 | 1/2014 | Ashcraft et al. | | | |
| 2014/0078116 | A1 | 3/2014 | Mercea et al. | | | |
| 2017/0222456 | A1 | 8/2017 | Perez et al. | | | |

* cited by examiner

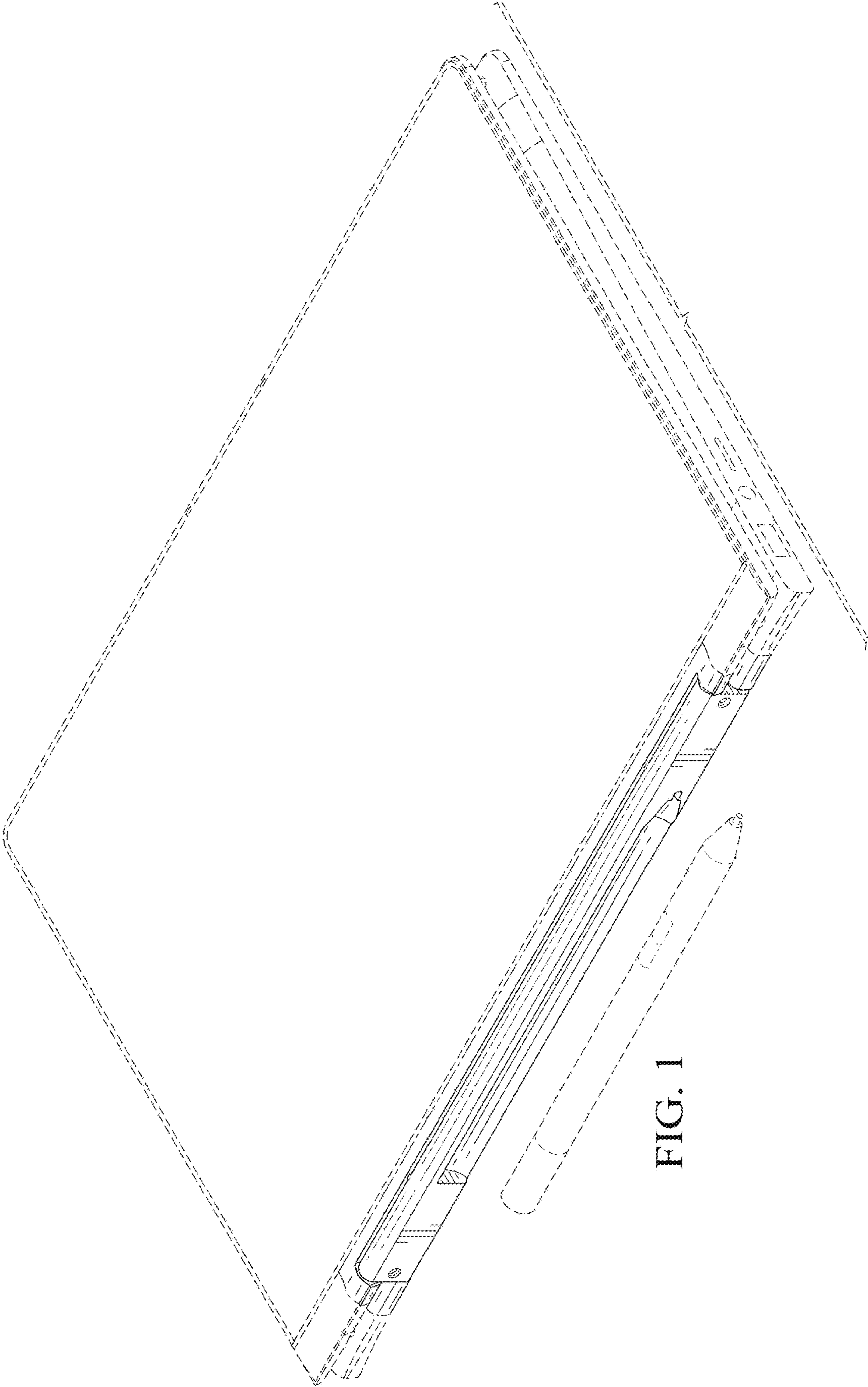


FIG. 1

FIG. 2

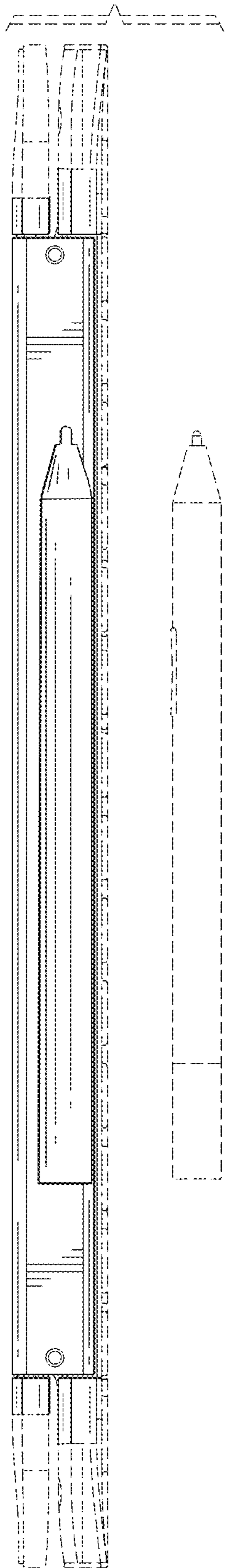
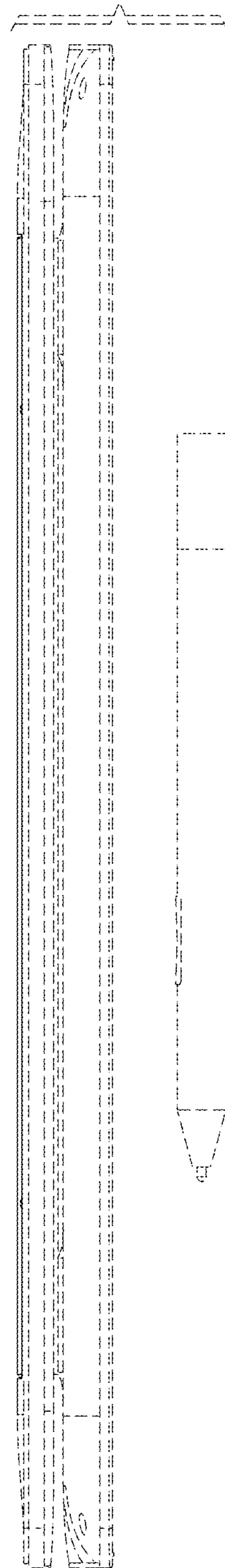


FIG. 3



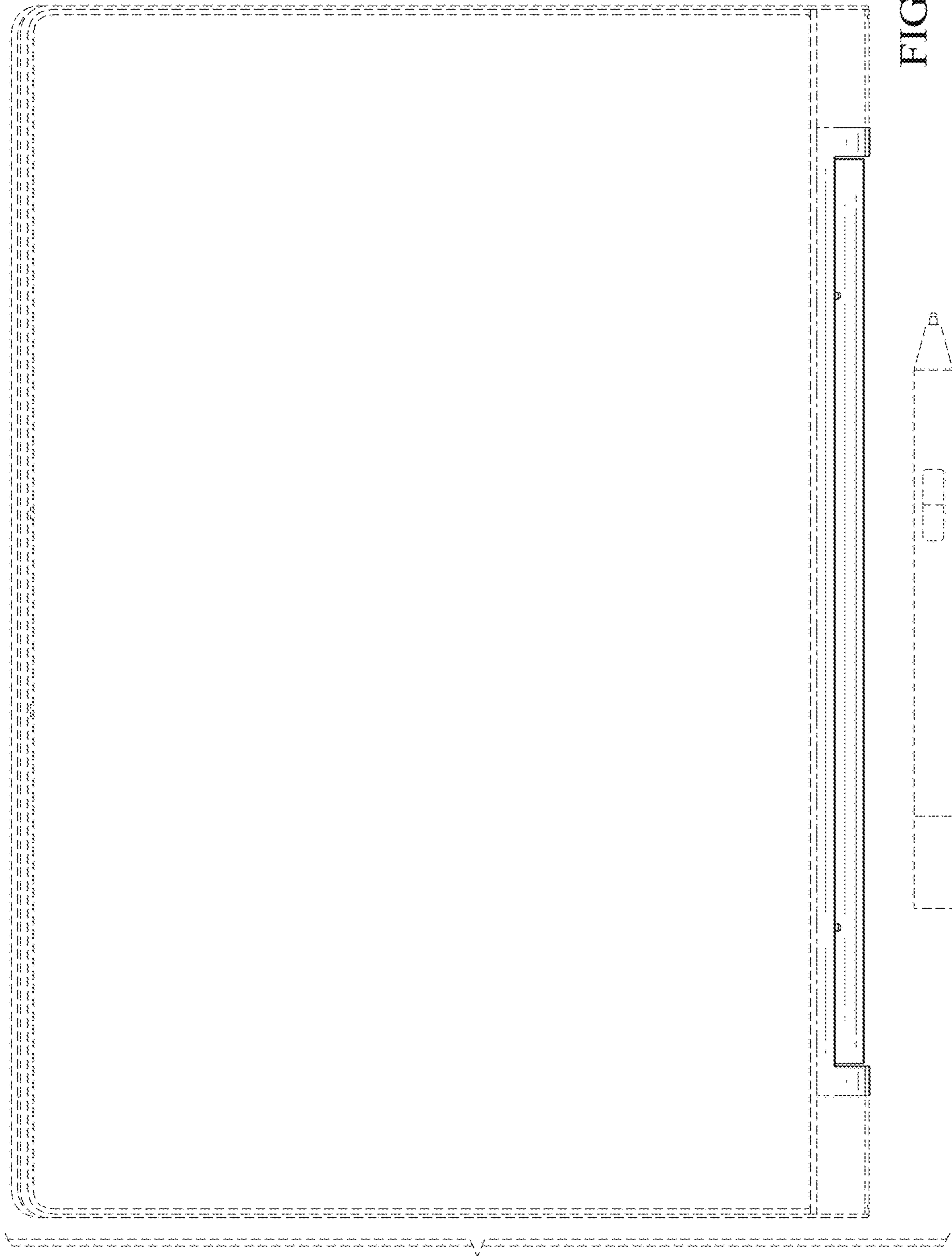
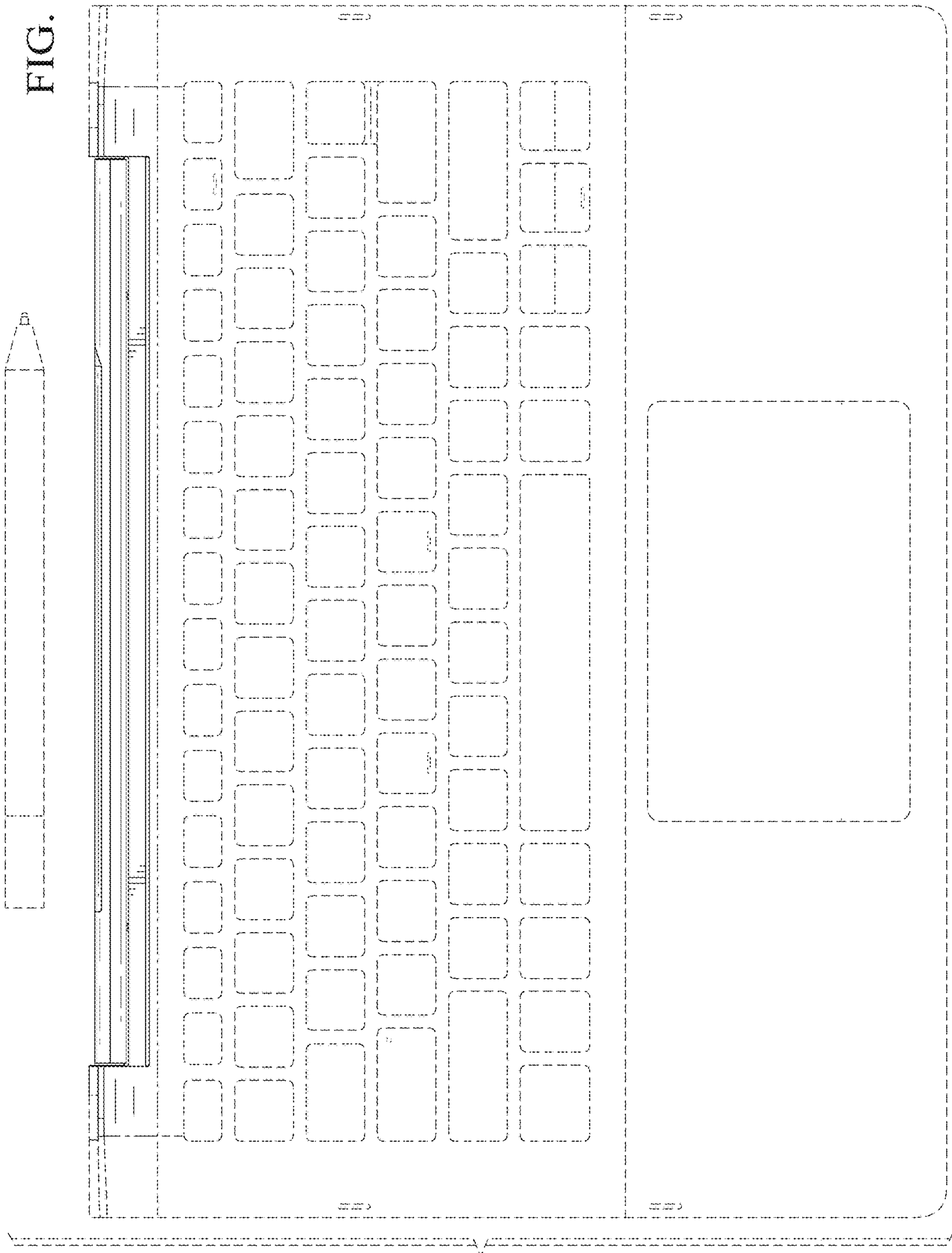


FIG. 4

FIG. 5



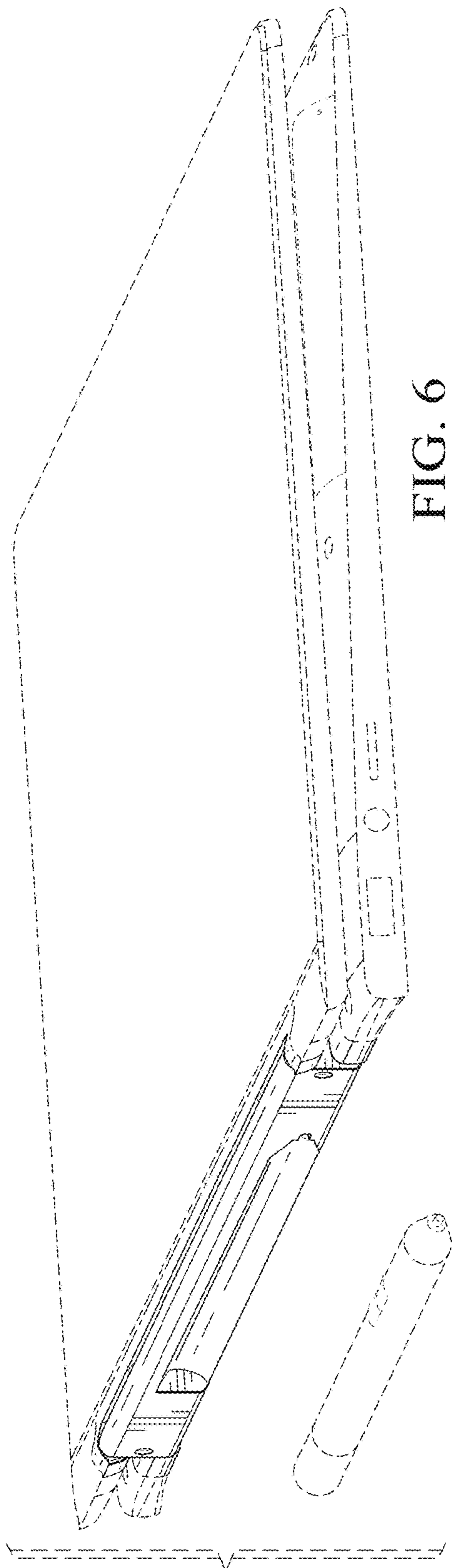


FIG. 6

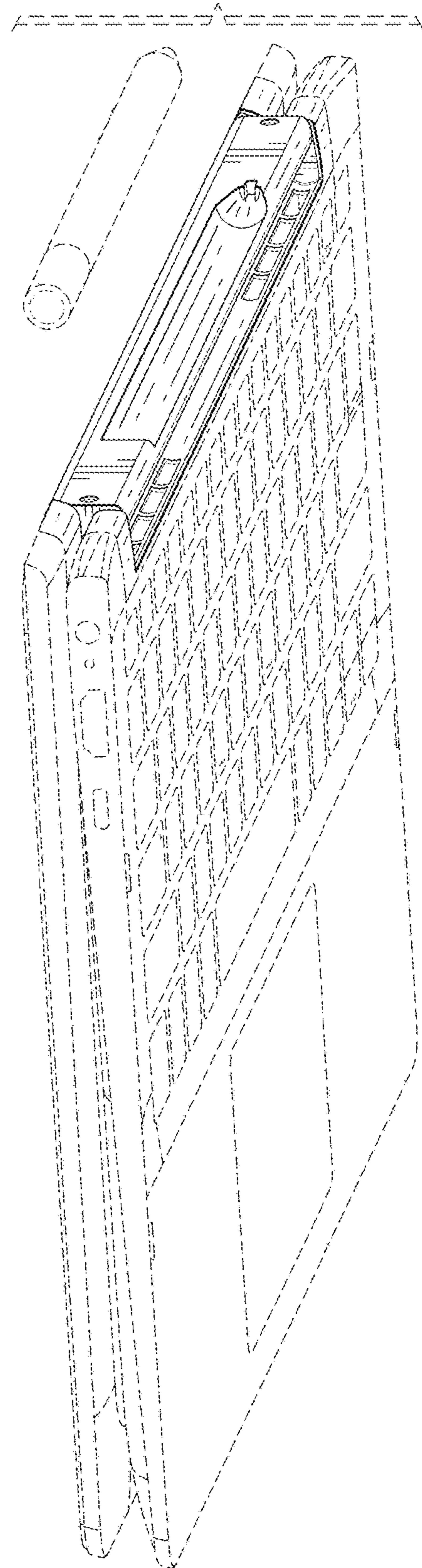


FIG. 7

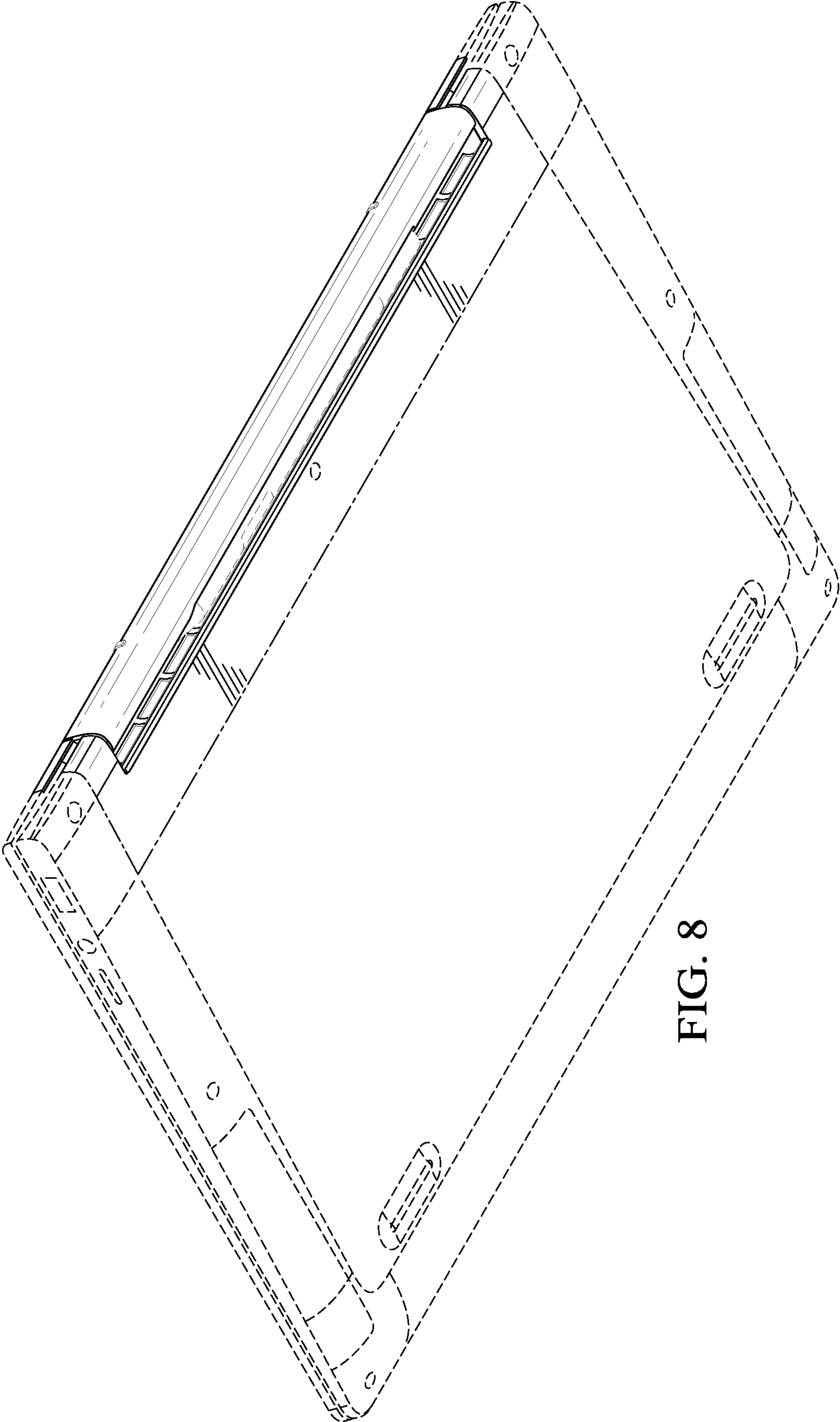


FIG. 8

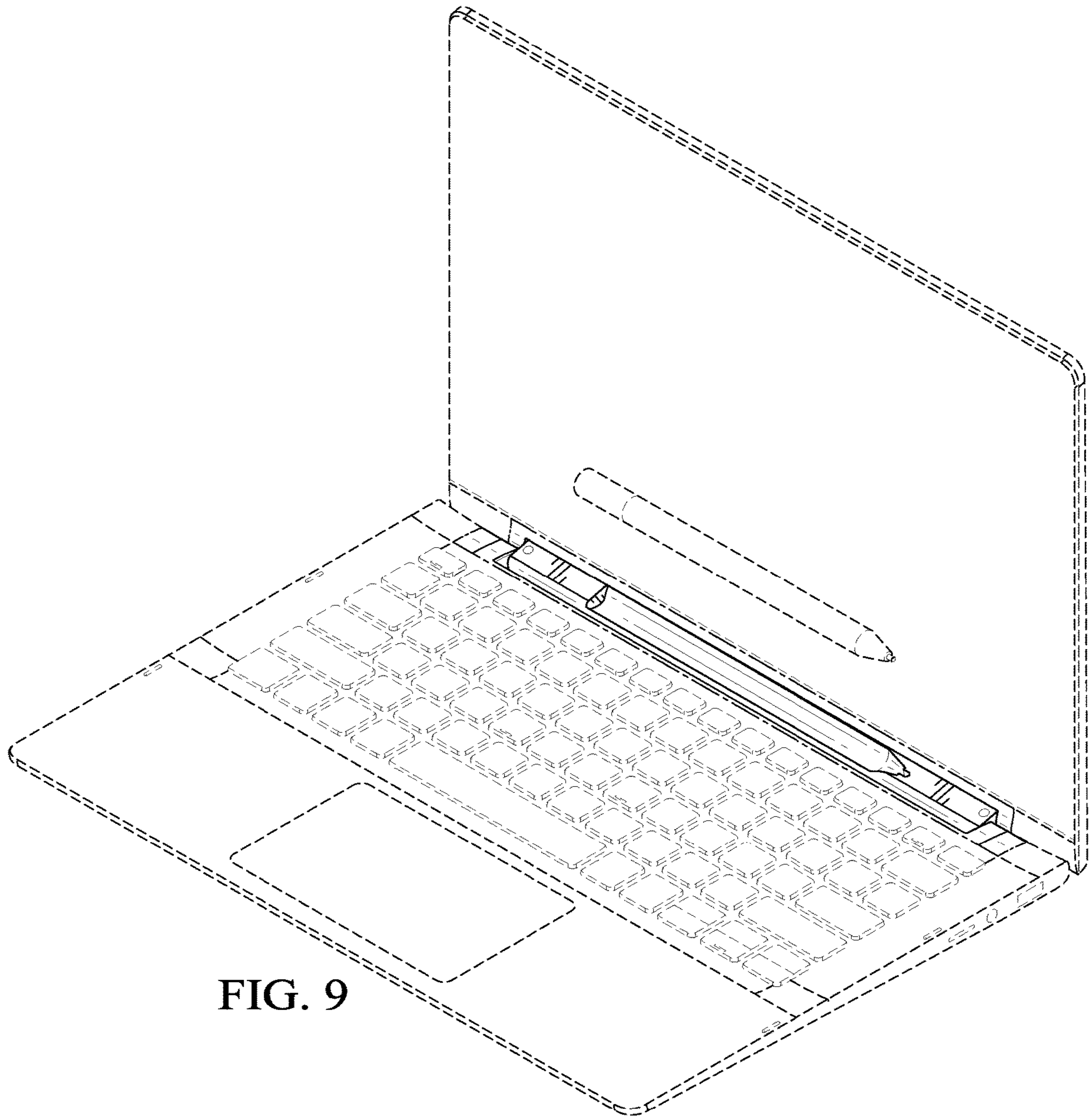


FIG. 9

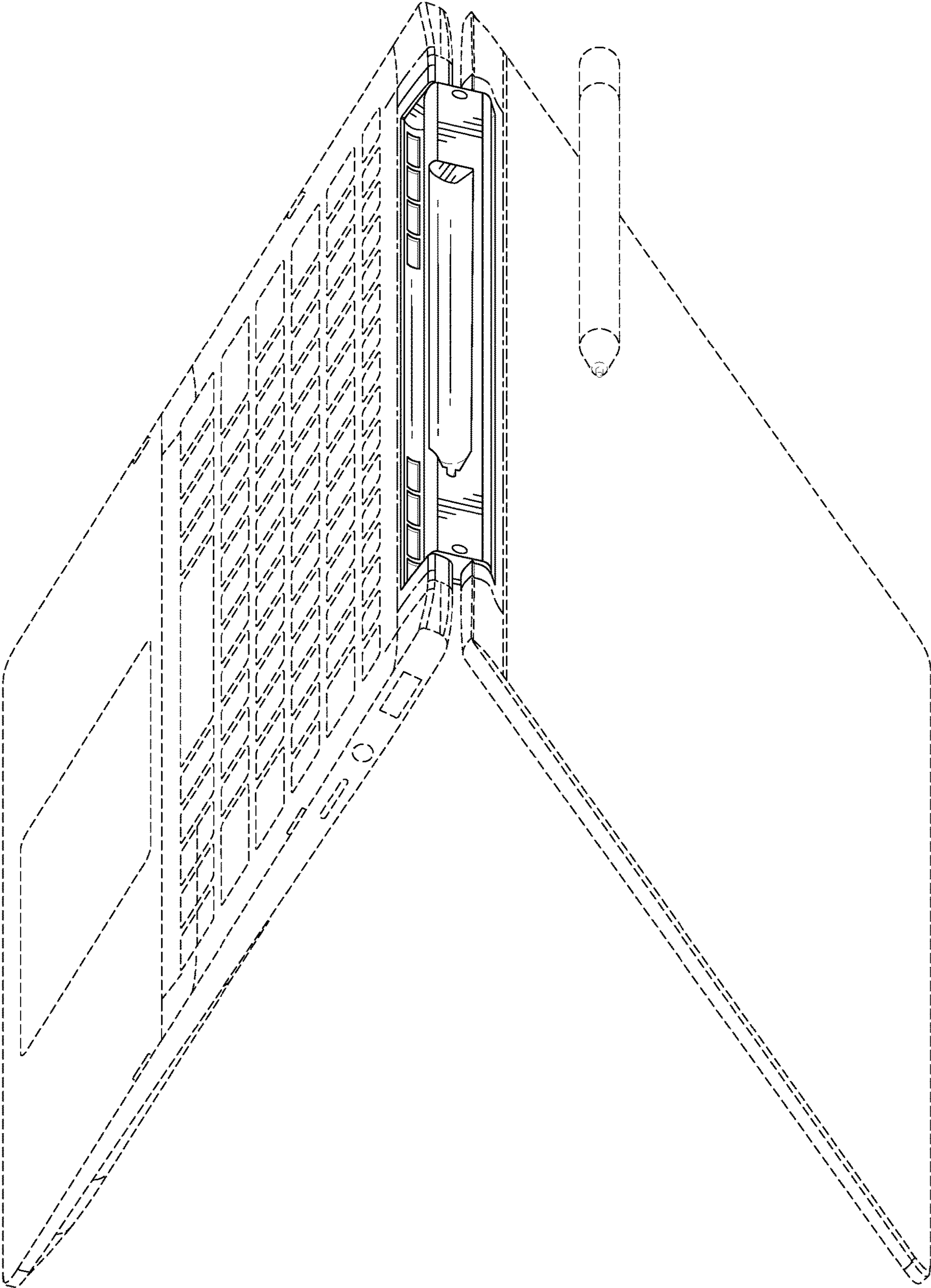


FIG. 10