



US00D905693S

(12) **United States Design Patent** (10) **Patent No.:** **US D905,693 S**
Xie (45) **Date of Patent:** **** Dec. 22, 2020**

(54) **USB CONTROLLER**

(71) Applicant: **Huarong Xie**, Guangdong (CN)

(72) Inventor: **Huarong Xie**, Guangdong (CN)

(**) Term: **15 Years**

(21) Appl. No.: **29/702,446**

(22) Filed: **Aug. 19, 2019**

(51) **LOC (12) Cl.** **14-03**

(52) **U.S. Cl.**
USPC **D14/435.1**

(58) **Field of Classification Search**
USPC D14/480.1–480.7, 435.1, 411, 433, 436,
D14/484.1, 137, 155, 203.1–203.8, 240,
D14/242; D13/133, 154
CPC H05K 5/0278; G06K 19/07732
See application file for complete search history.

(56) **References Cited**

U.S. PATENT DOCUMENTS

- D470,499 S * 2/2003 Salazar A01K 11/004
D14/433
- D494,969 S * 8/2004 Lin D14/480.7
- D542,789 S * 5/2007 Depay D14/435.1
- D576,619 S * 9/2008 Udagawa D14/435.1
- D577,019 S * 9/2008 Udagawa D14/435.1
- D601,093 S * 9/2009 Wu D13/147

- D625,730 S * 10/2010 Cacioppo D14/435.1
- D707,234 S * 6/2014 Tan D14/480.1
- D758,371 S * 6/2016 Daniel D14/435.1
- D759,661 S * 6/2016 Liao D14/480.7
- D764,479 S * 8/2016 Kim D14/480.1
- D799,497 S * 10/2017 Piron D14/480.1
- D800,138 S * 10/2017 Brown D14/480.5

* cited by examiner

Primary Examiner — Angela J Lee

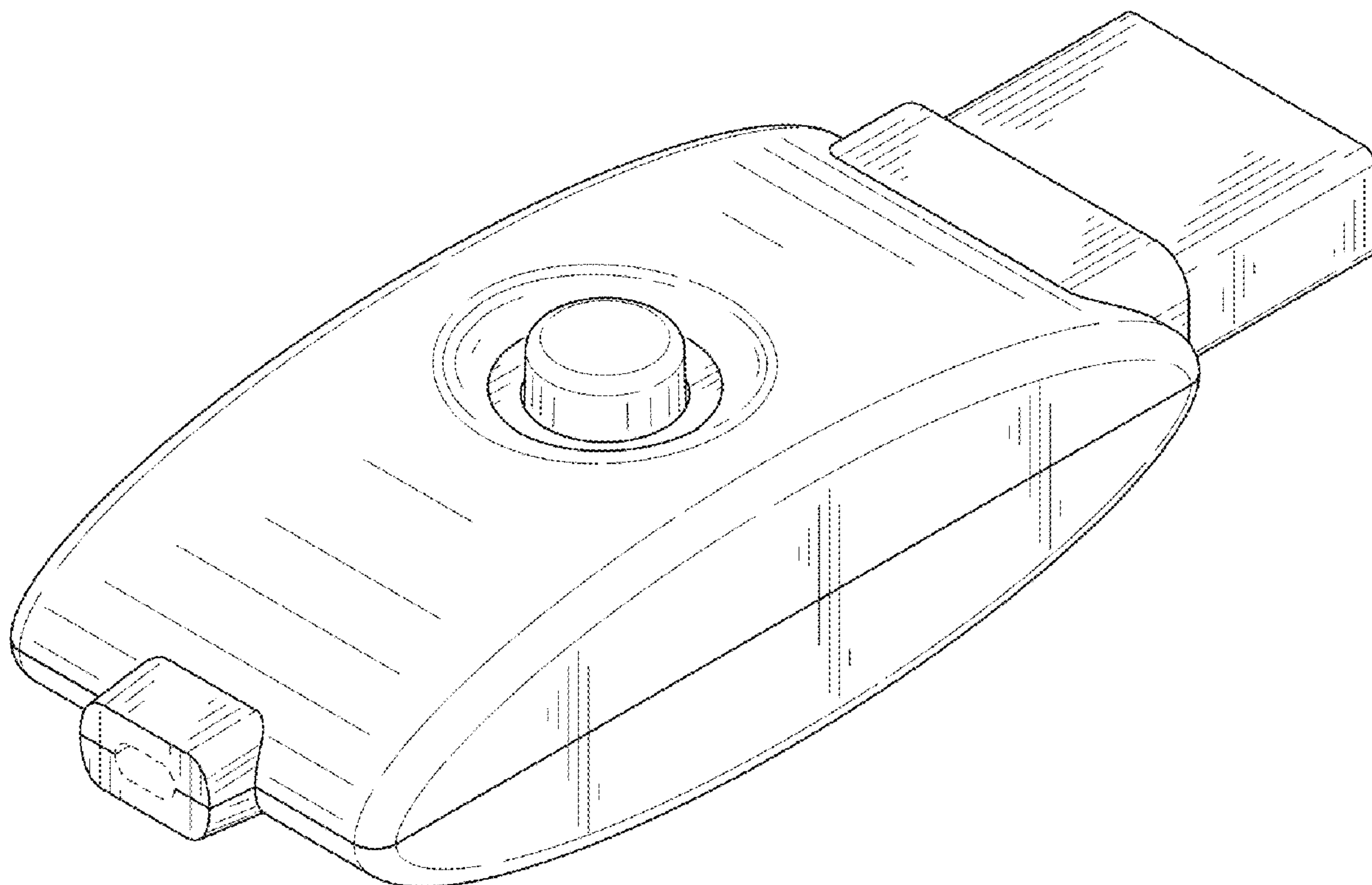
(57) **CLAIM**

The ornamental design for a USB controller, as shown and described.

DESCRIPTION

FIG. 1 is a top, front and left side perspective view of a USB controller showing my new design;
 FIG. 2 is a bottom, rear and right side perspective view thereof;
 FIG. 3 is a front elevational view thereof;
 FIG. 4 is a rear elevational view thereof;
 FIG. 5 is a left side view thereof;
 FIG. 6 is a right side view thereof;
 FIG. 7 is a top plan view thereof; and,
 FIG. 8 is a bottom plan view thereof.
 The broken lines in the drawings illustrate portions of the USB controller which form no part of the claimed design.

1 Claim, 8 Drawing Sheets



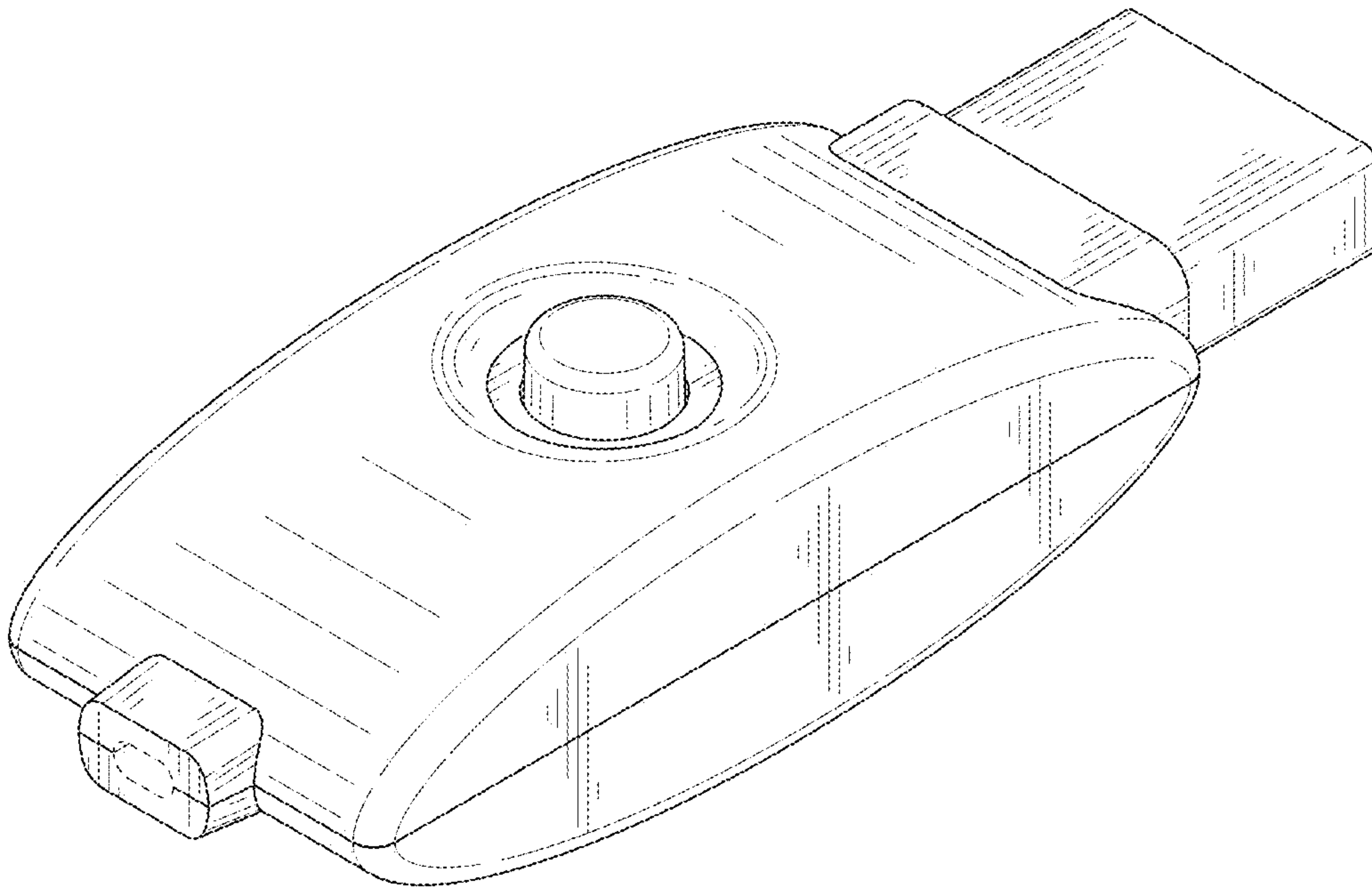


FIG. 1

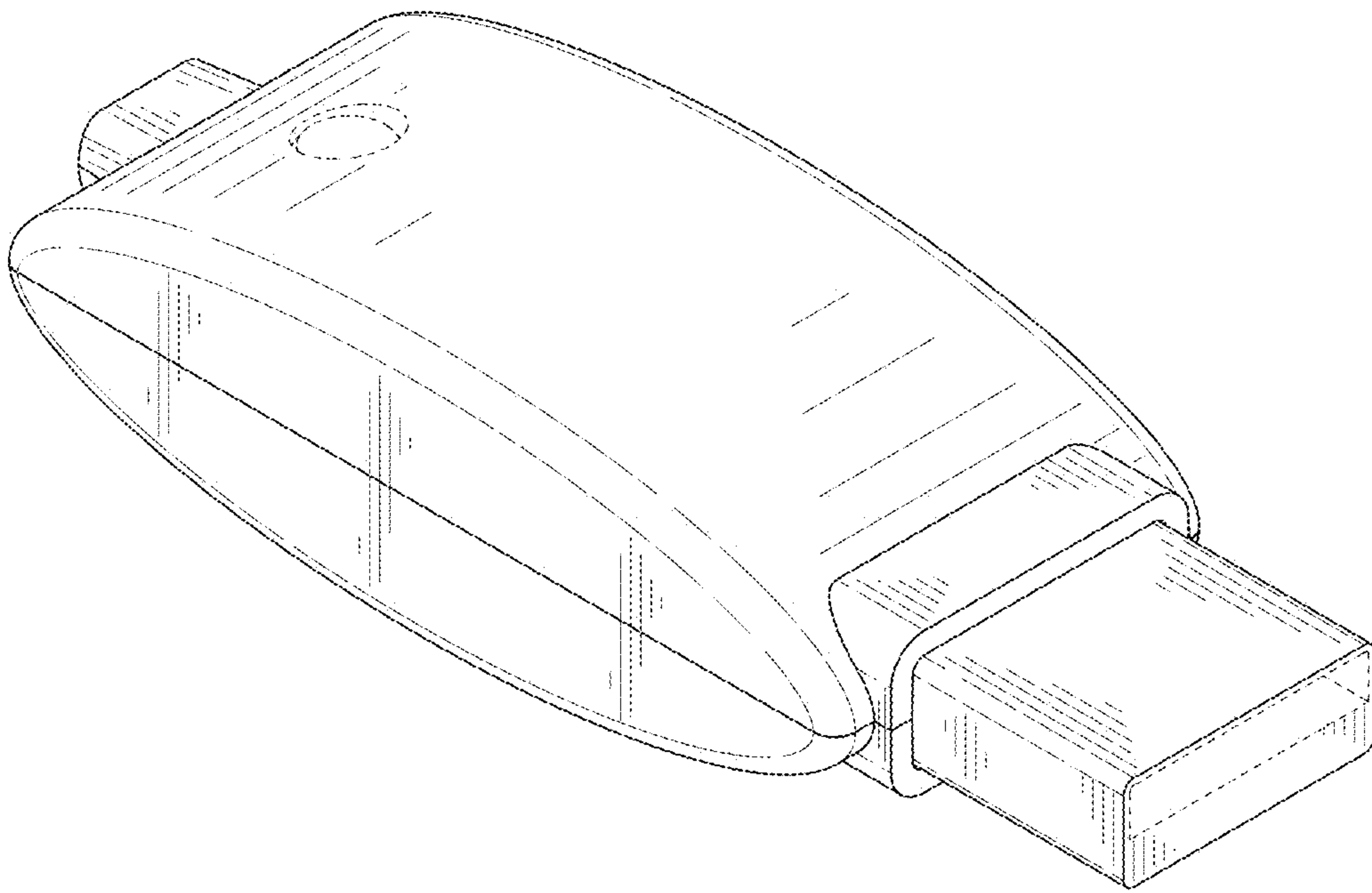


FIG. 2

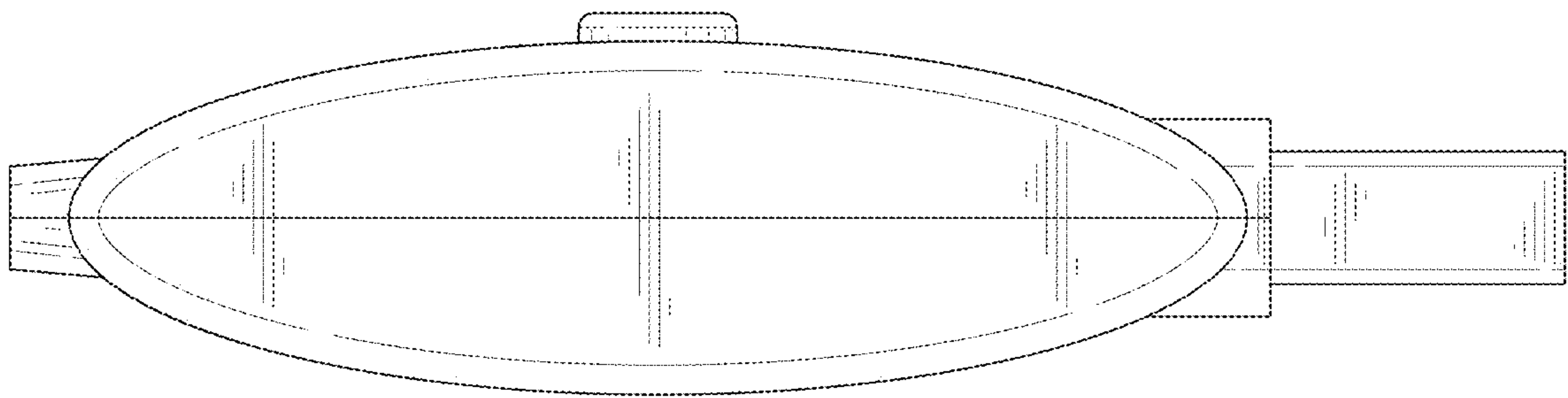


FIG. 3

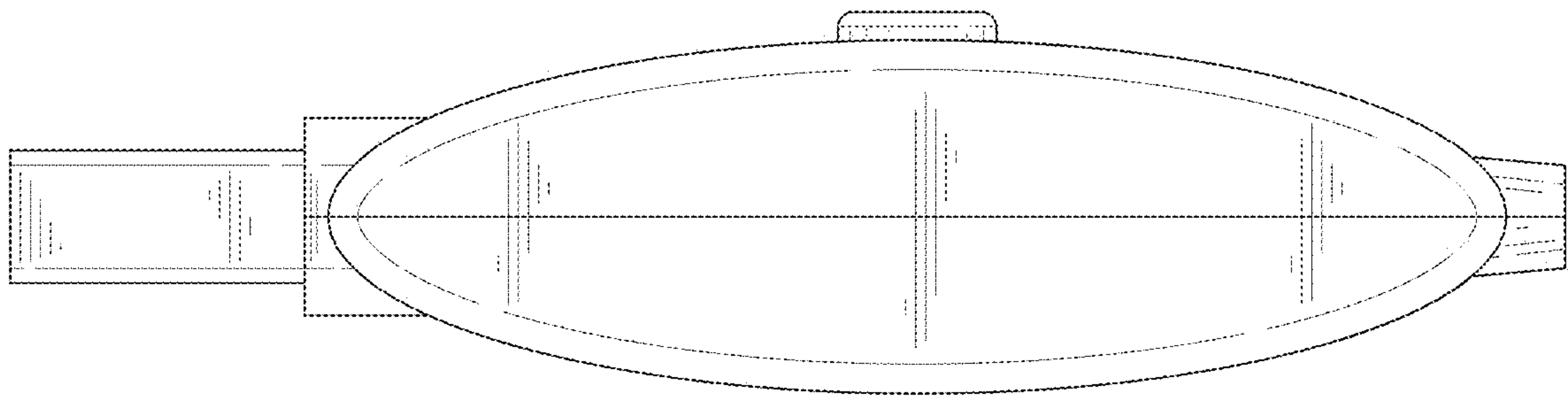


FIG. 4

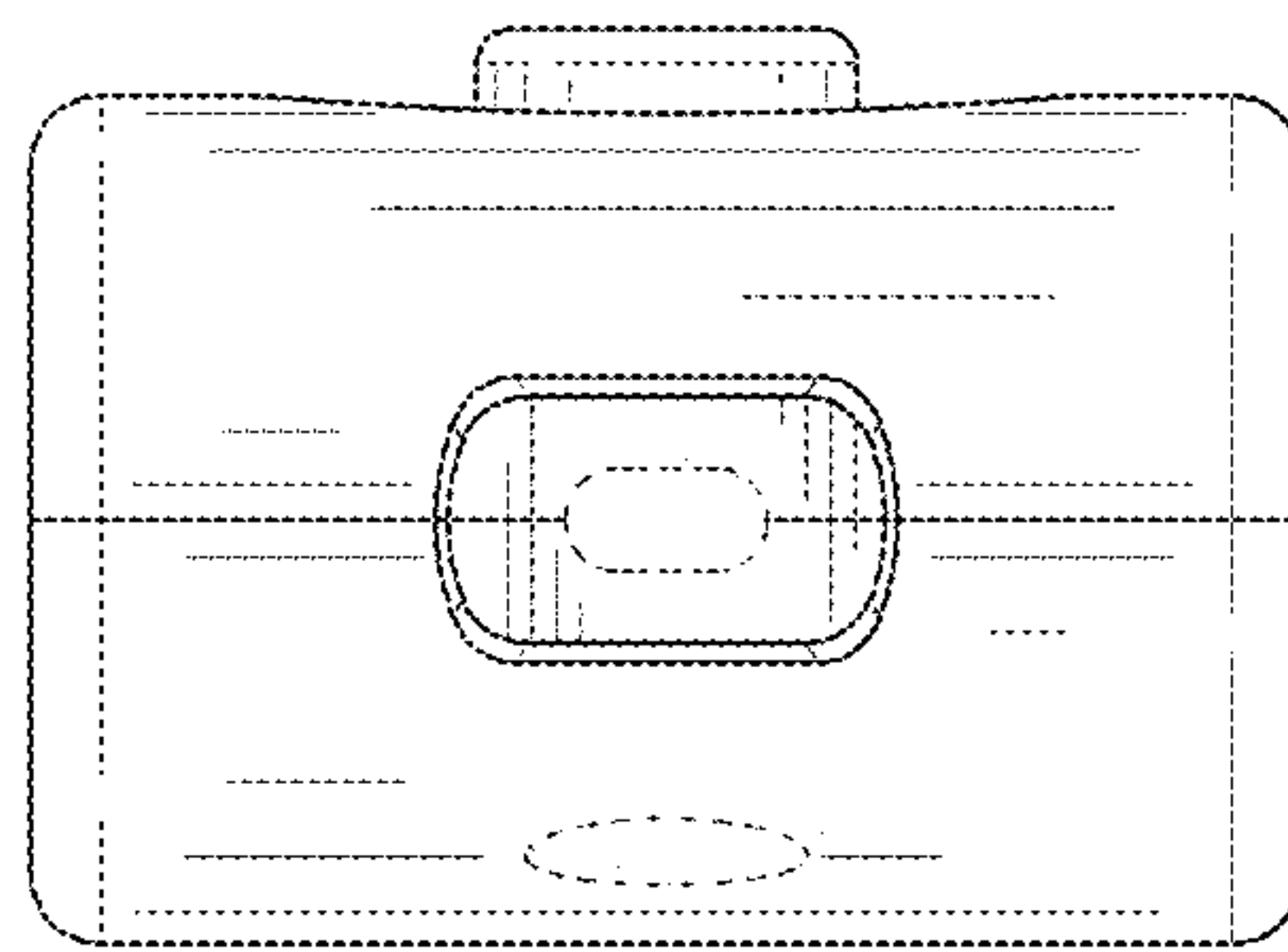


FIG. 5

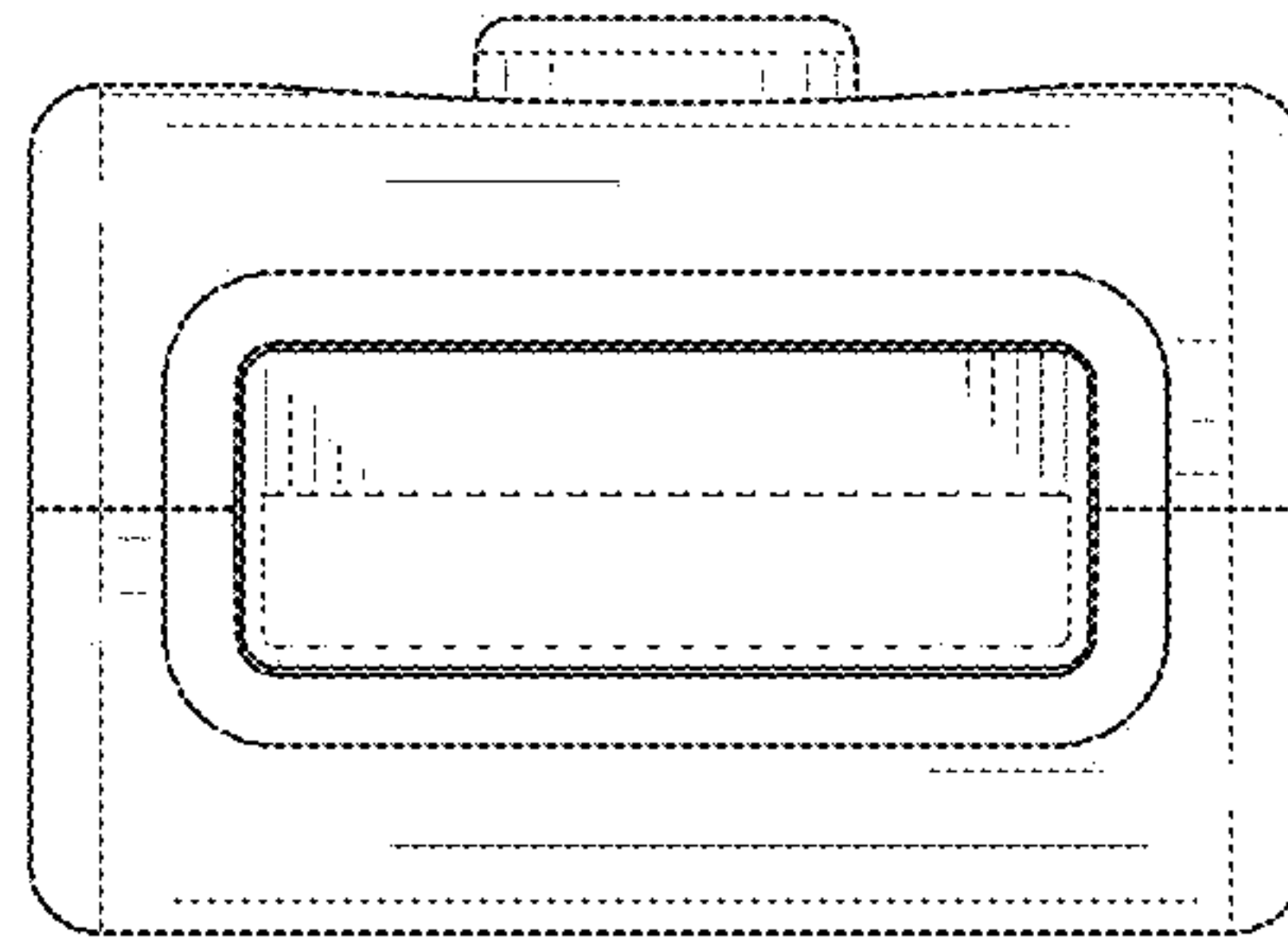


FIG. 6

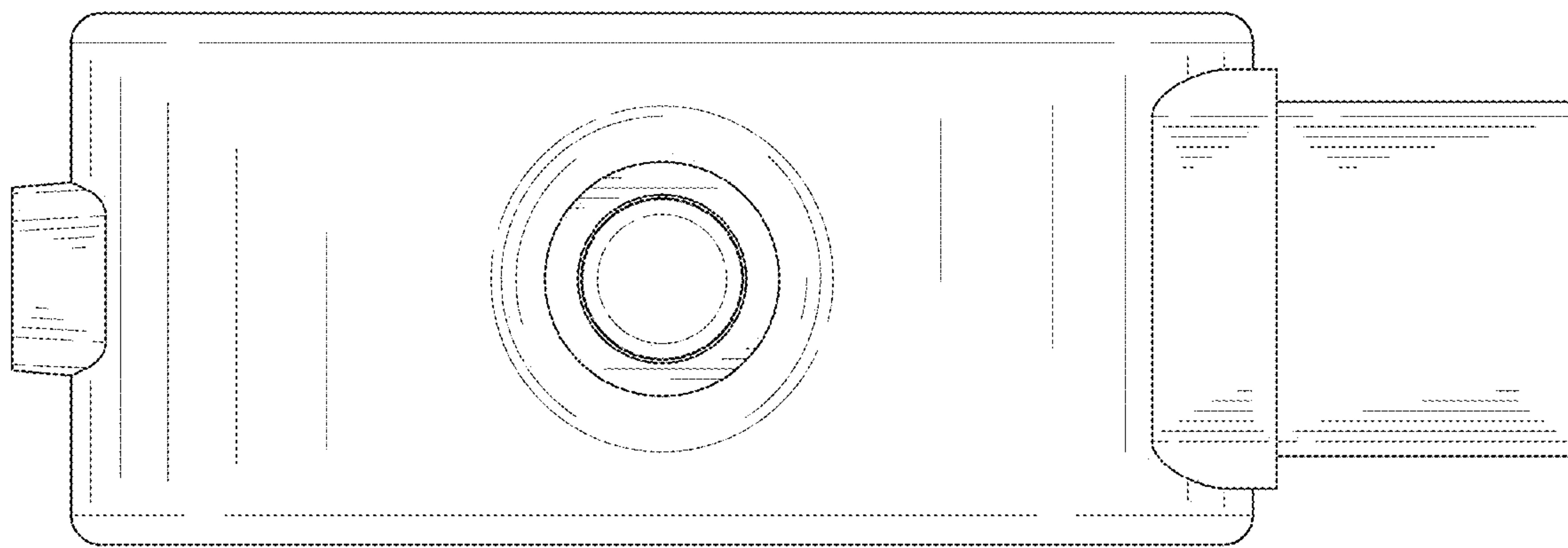


FIG. 7

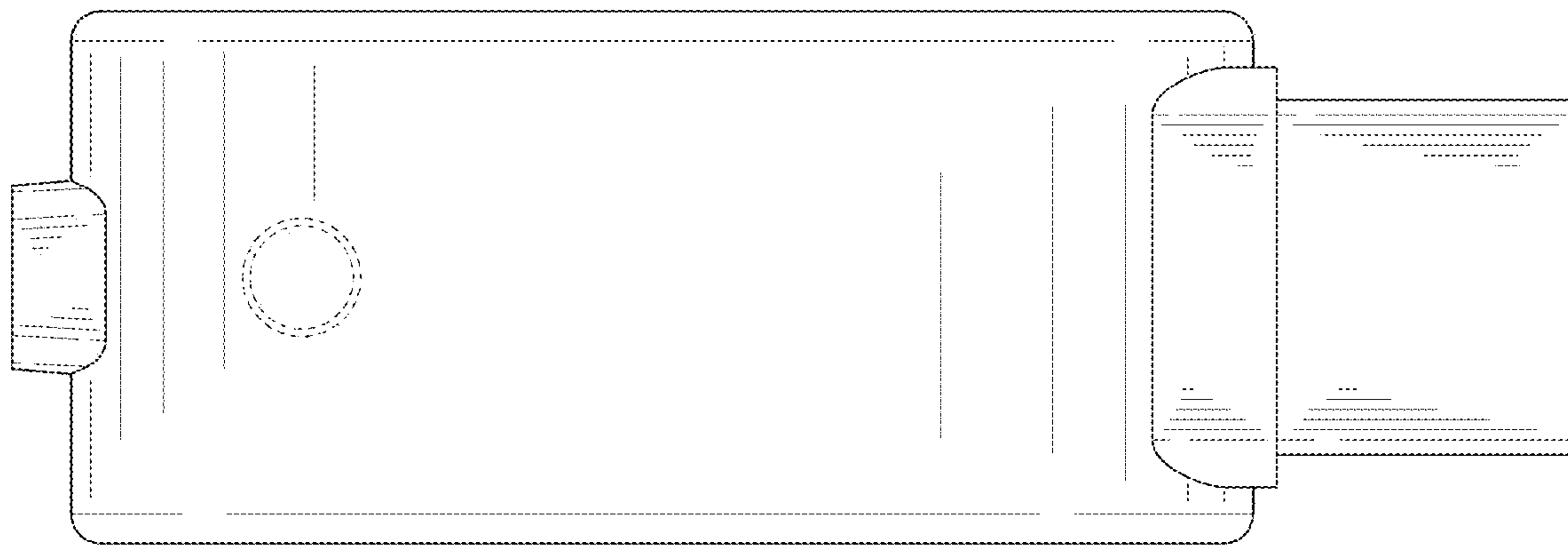


FIG. 8