



US00D905690S

(12) **United States Design Patent**
Li et al.

(10) **Patent No.:** **US D905,690 S**

(45) **Date of Patent:** **** Dec. 22, 2020**

(54) **BUILDING CONTROL MODULE**

(71) Applicant: **Honeywell International Inc.**, Morris Plains, NJ (US)

(72) Inventors: **Peilin Li**, Shanghai (CN); **Haitao Li**, Beijing (CN); **Ke Zhang**, Beijing (CN); **Yidan Zhao**, Shanghai (CN); **Unmesh Kulkarni**, Bangalore (IN); **Michael Zheng**, Beijing (CN); **Cary Leen**, Hammond, WI (US)

(73) Assignee: **Honeywell International Inc.**, Charlotte, NC (US)

(**) Term: **15 Years**

(21) Appl. No.: **29/713,129**

(22) Filed: **Nov. 13, 2019**

(51) **LOC (12) Cl.** **14-02**

(52) **U.S. Cl.**
USPC **D14/358**; D13/162.1

(58) **Field of Classification Search**
USPC D13/162, 162.1, 184; D10/49, 50;
D14/240, 358

(Continued)

(56) **References Cited**

U.S. PATENT DOCUMENTS

D400,180 S * 10/1998 Shimizu D13/162.1
D578,029 S 10/2008 Plewa

(Continued)

OTHER PUBLICATIONS

JACE 8000 Controller; before Jan. 1, 2017; 6 pgs.; https://www.google.com/search?q=Honeywell+International+building+controller+before%3A2017-01-01&tbm=isch&ved=2ahUKEwj70K6EsZDoAhWJBN8KHbFPB1sQ2-cCegQIABAA&oq=Honeywell+International+building+controller+before%3A2017-01-01&gs_l=img.3...378229.396120..397891...6.*

(Continued)

Primary Examiner — Selina Sikder

(74) *Attorney, Agent, or Firm* — Seager Turfte & Wickhem LLP

(57) **CLAIM**

The ornamental design for a building control module, as shown and described.

DESCRIPTION

FIG. 1 is a perspective view of a building control module; FIG. 2 is a front elevation view of the building control module of FIG. 1;

FIG. 3 is a left side view of the building control module of FIG. 1;

FIG. 4 is a right side view of the building control module of FIG. 1;

FIG. 5 is a top plan view of the building control module of FIG. 1;

FIG. 6 is a bottom plan view of the building control module of FIG. 1;

FIG. 7 is a perspective view of the building control module of FIG. 1 with top and bottom covers removed;

FIG. 8 is a perspective view of another building control module;

FIG. 9 is a front elevation view of the building control module of FIG. 8;

FIG. 10 is a left side view of the building control module of FIG. 8;

FIG. 11 is a right side view of the building control module of FIG. 8;

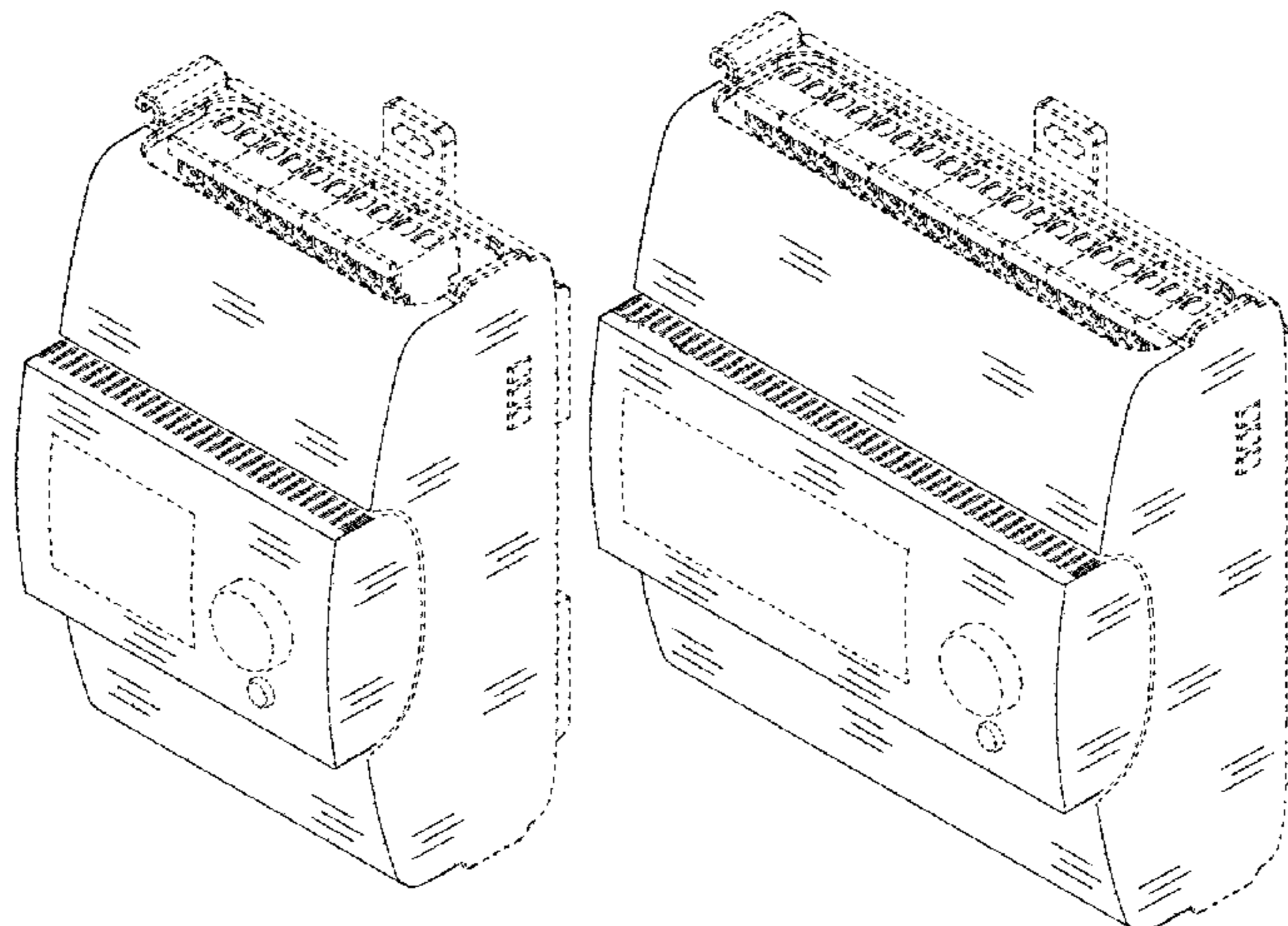
FIG. 12 is a top plan view of the building control module of FIG. 8;

FIG. 13 is a bottom plan view of the building control module of FIG. 8; and,

FIG. 14 is a perspective view of the building control module of FIG. 8 with top and bottom covers removed.

In the drawings, the claimed design is defined by the shaded surfaces; broken lines immediately adjacent shaded surfaces represent boundaries of the claim and form no part thereof; all other broken lines depict unclaimed environmental subject matter and form no part of the claim.

1 Claim, 14 Drawing Sheets



(58) **Field of Classification Search**

CPC G06F 1/181; G05B 11/01; G05B 15/02;
 G08C 17/00; G08C 17/02; H01Q 1/007;
 H04W 88/005; H04W 88/02; H04W
 88/08; H04W 88/085; H04W 88/10;
 H04W 88/12; H04W 88/14; H04W 88/16;
 G11B 33/08; G11B 33/126; G11B
 33/128; H02J 7/0042; H02J 7/0044; H02J
 7/0068

See application file for complete search history.

D765,031 S	8/2016	Mielnik et al.	
D768,585 S *	10/2016	Moore	D13/184
D774,005 S	12/2016	Ye et al.	
D792,353 S *	7/2017	Yoshida	D13/162
D793,967 S *	8/2017	Leeland	D10/50
D815,606 S *	4/2018	Nada	D13/162.1
D828,816 S	9/2018	Spors et al.	
D865,731 S *	11/2019	Sun	D14/240
D873,269 S *	1/2020	Hu	D14/358

OTHER PUBLICATIONS

(56)

References Cited

U.S. PATENT DOCUMENTS

D596,963 S	7/2009	Novotny et al.	
D596,964 S	7/2009	Wang et al.	
D607,843 S	1/2010	Borax	
D620,454 S *	7/2010	Lissola	D13/164
D628,199 S	11/2010	Yukikado et al.	
D659,652 S *	5/2012	Wong	D13/162.1
D678,084 S	3/2013	Beland et al.	
D705,223 S	5/2014	Akana et al.	
D720,633 S	1/2015	Novotny et al.	
D735,667 S	8/2015	Mielnik et al.	
D758,365 S *	6/2016	Shimano	D14/358
D762,842 S	8/2016	Kokeny et al.	

“Building Controller-Google Search,” Google, 34 pages, accessed Dec. 28, 2018.

“Building Controller Honeywell—Google Search,” Google, 34 pages, accessed Dec. 28, 2018.

“Advantech Introduces New Direct Digital Controller with Integrated BACNet Router-BAS-3500BC,” Advantech, 1 page, Dec. 2012.

“Advantech Launches Full-Featured Building Automation Controller Series,” Design World Staff, 9 pages, Jan. 28, 2009.

U.S. Appl. No. 29/662,117, “Building Controller,” filed Sep. 1, 2018.

U.S. Appl. No. 29/662,118, “User Interface Module and Mounting Base For A Building Control System,” filed Sep. 1, 2018.

* cited by examiner

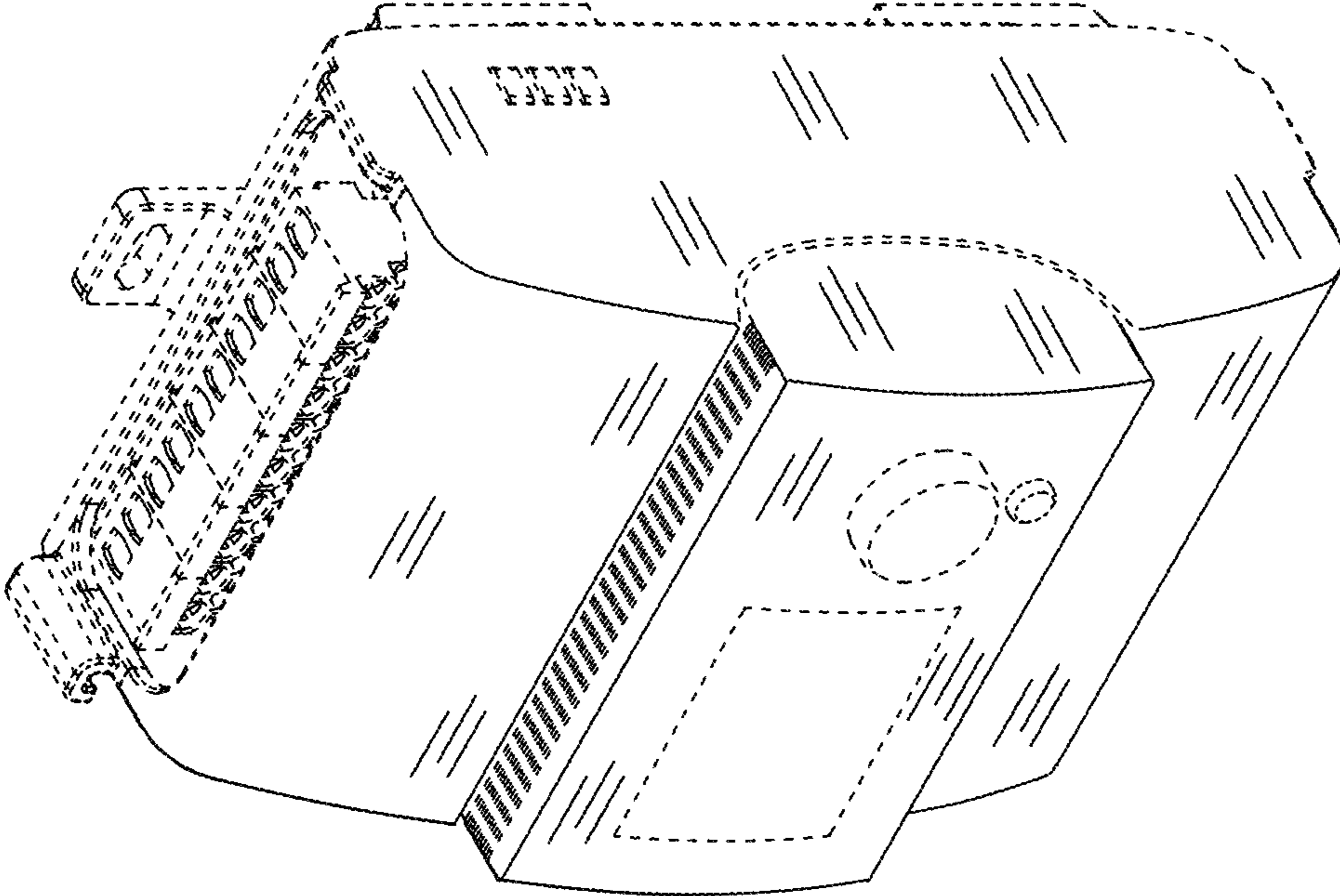


FIG. 1

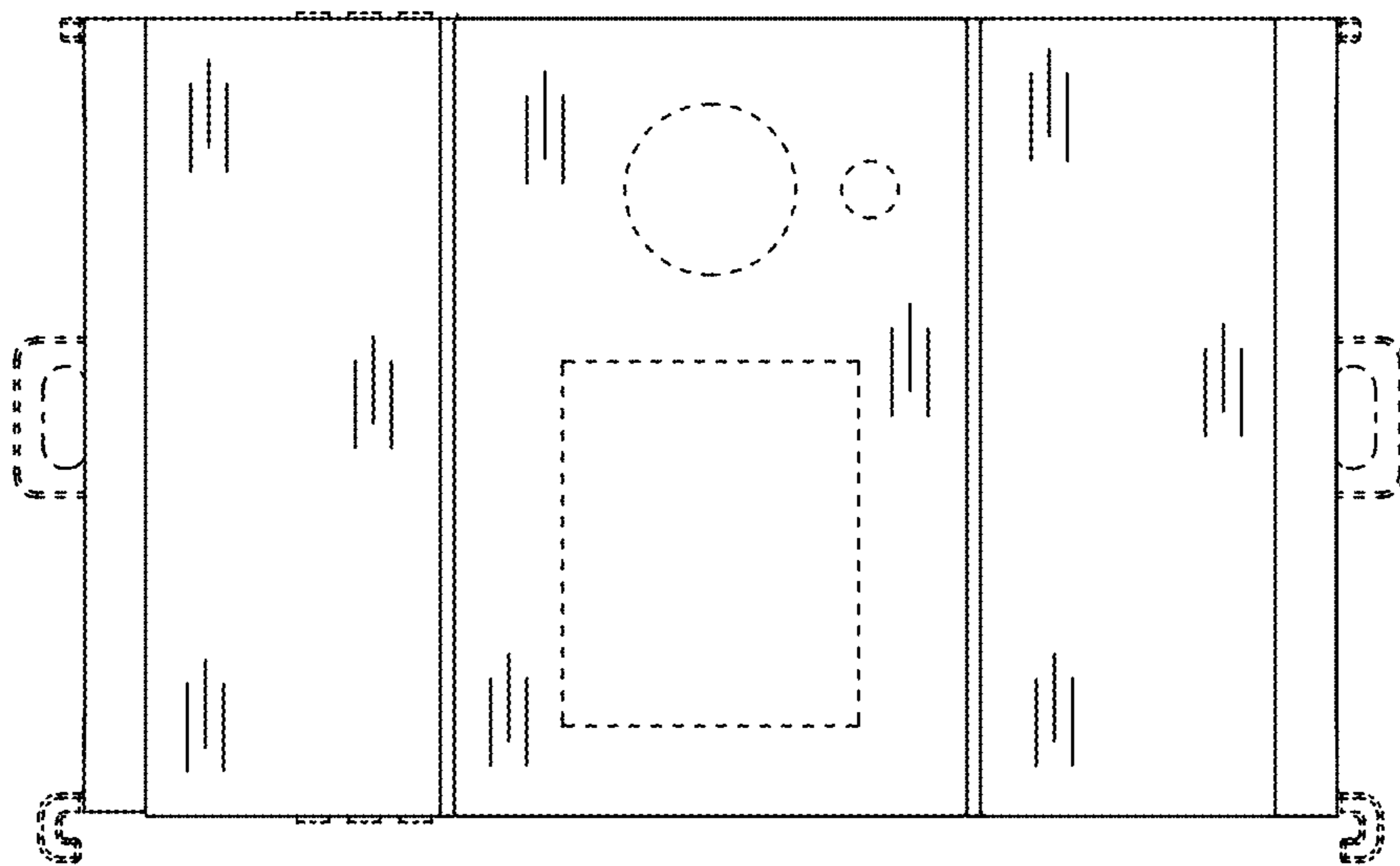


FIG. 2

FIG. 3

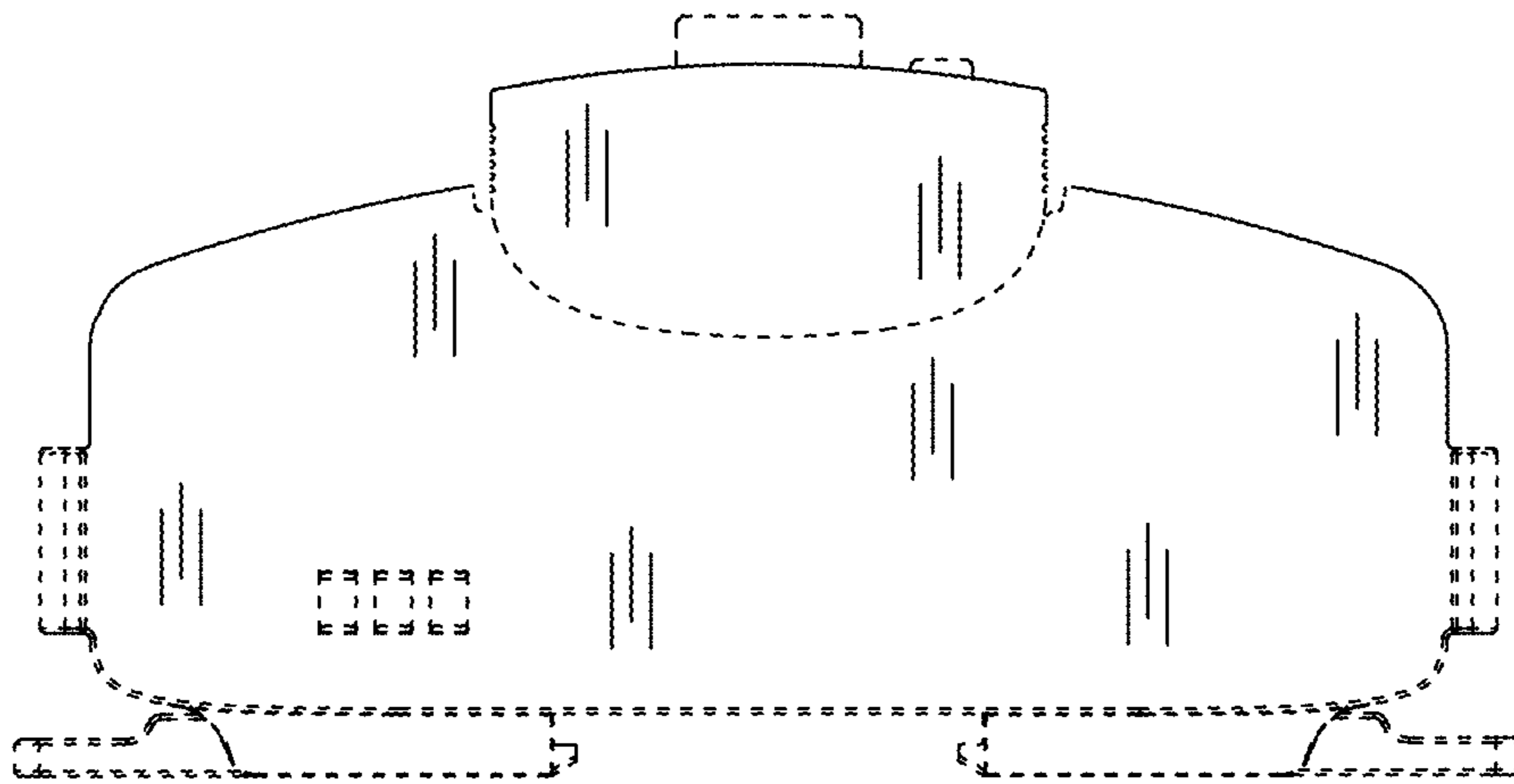
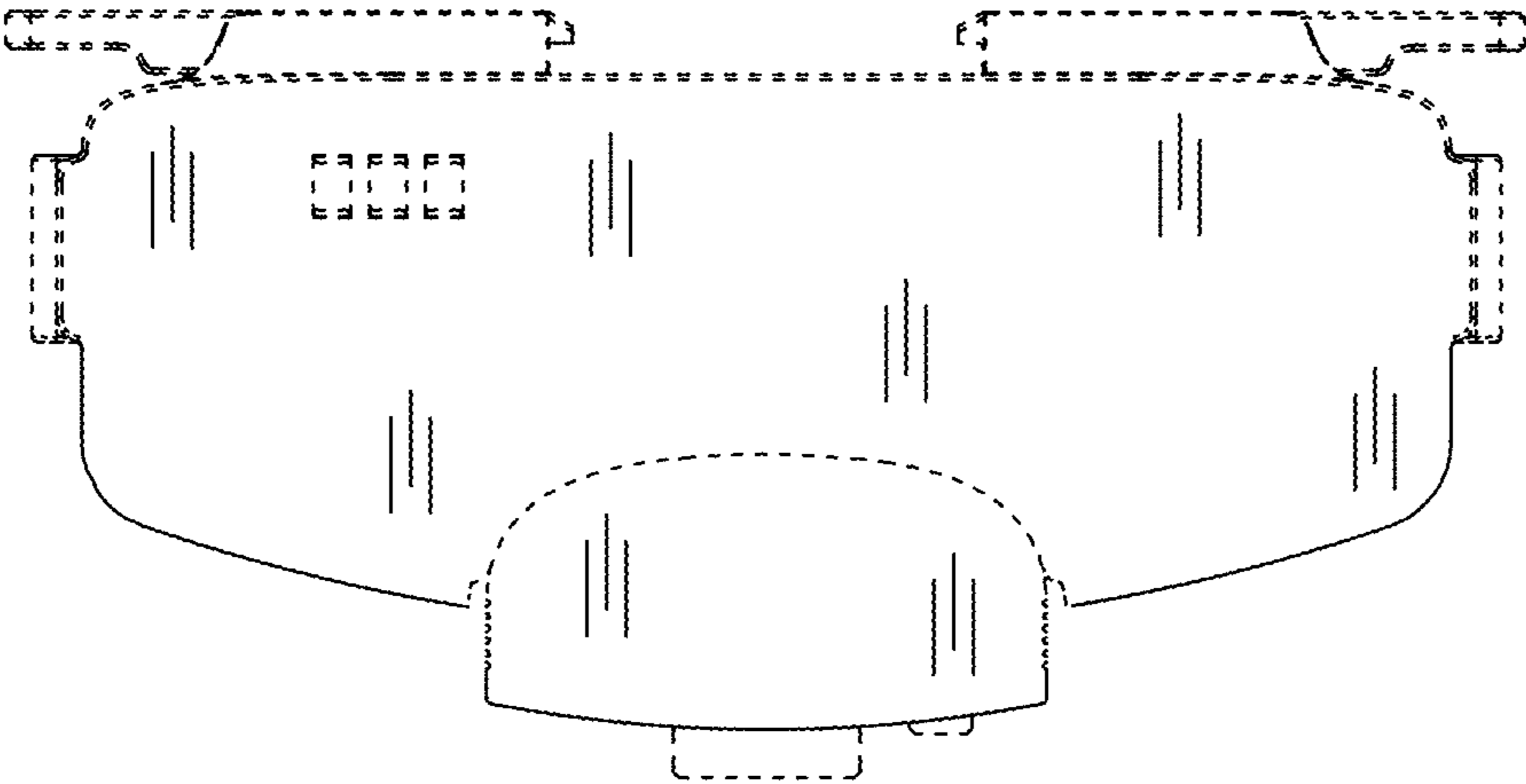


FIG. 4



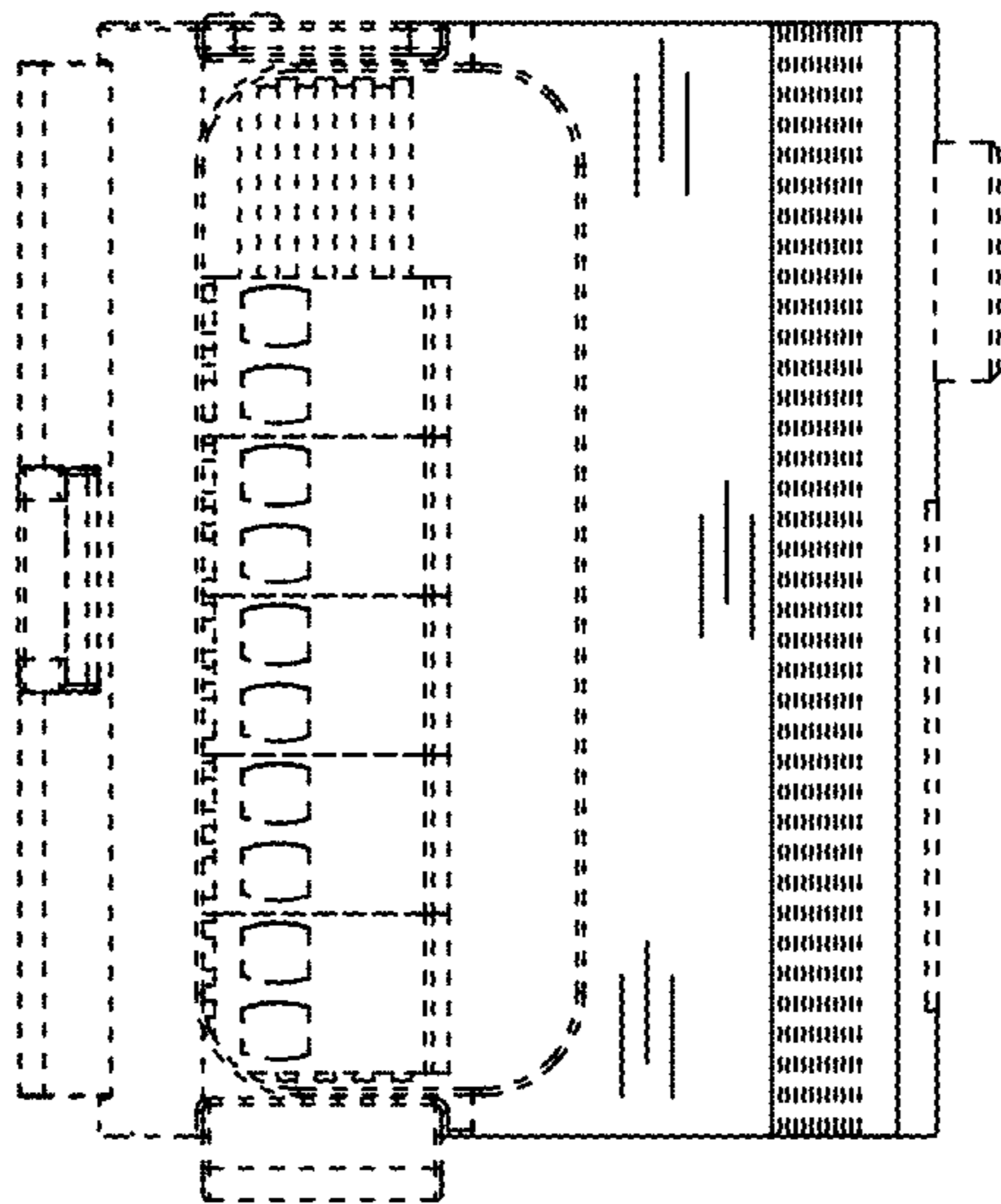


FIG. 5

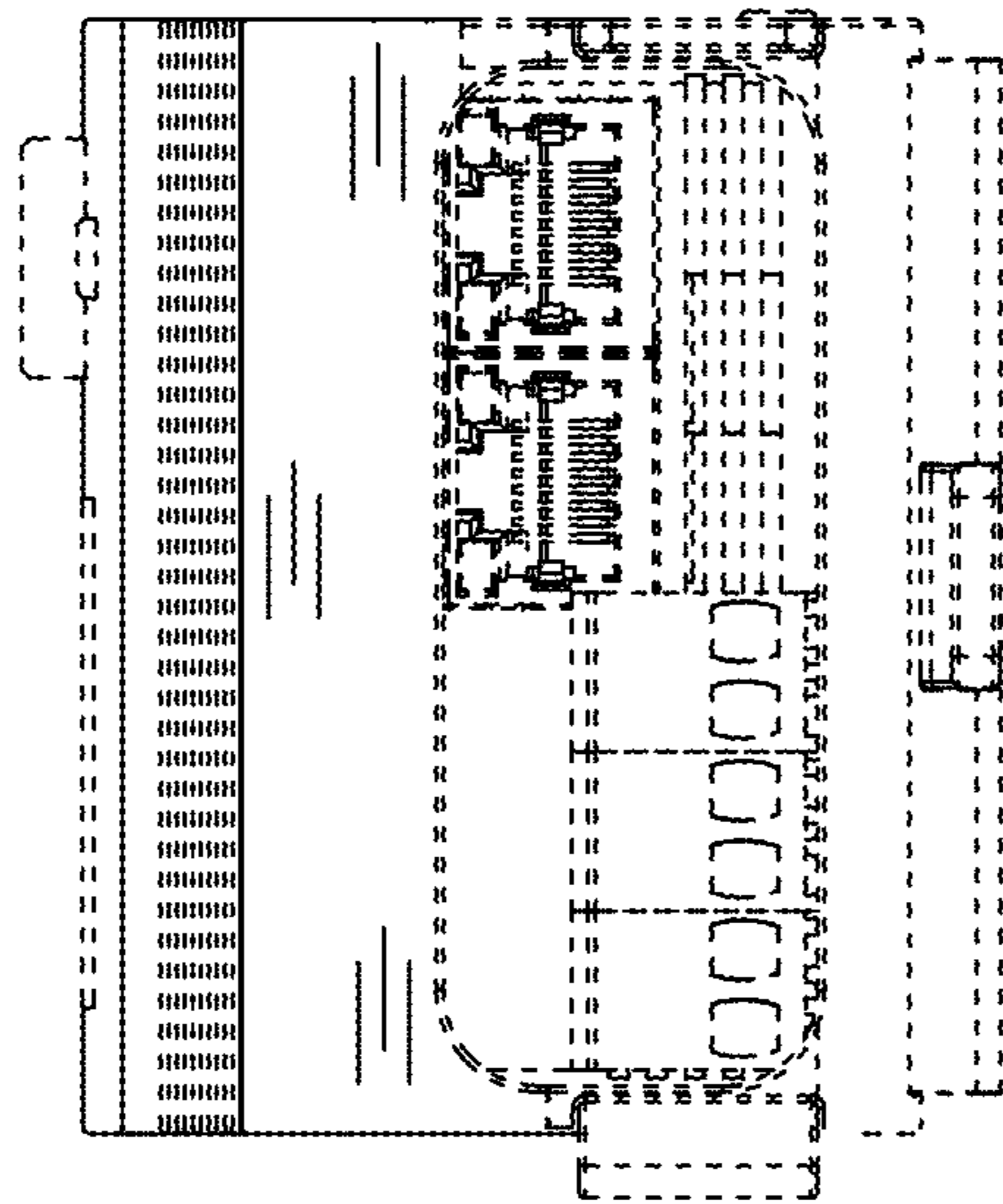
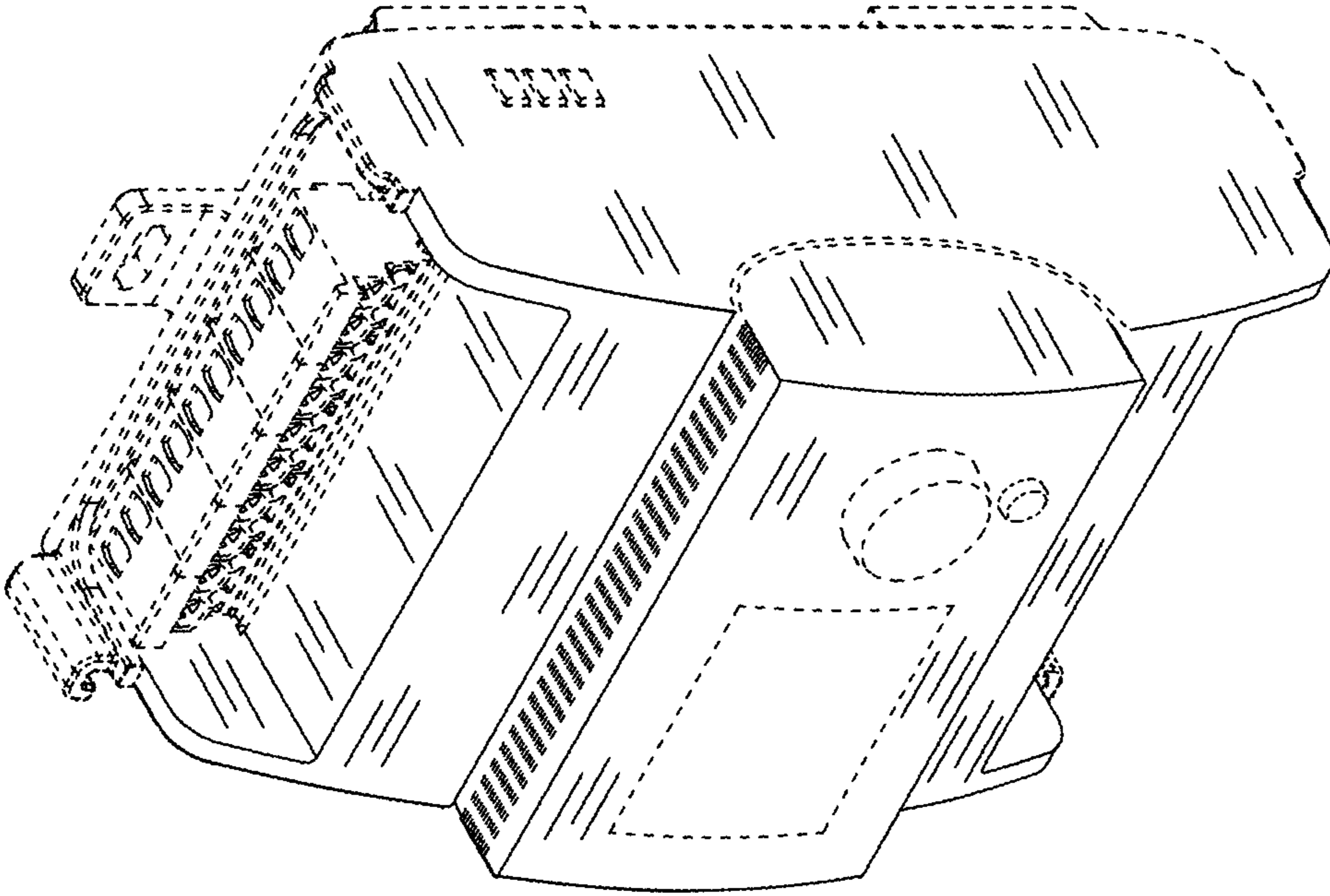


FIG. 6

FIG. 7



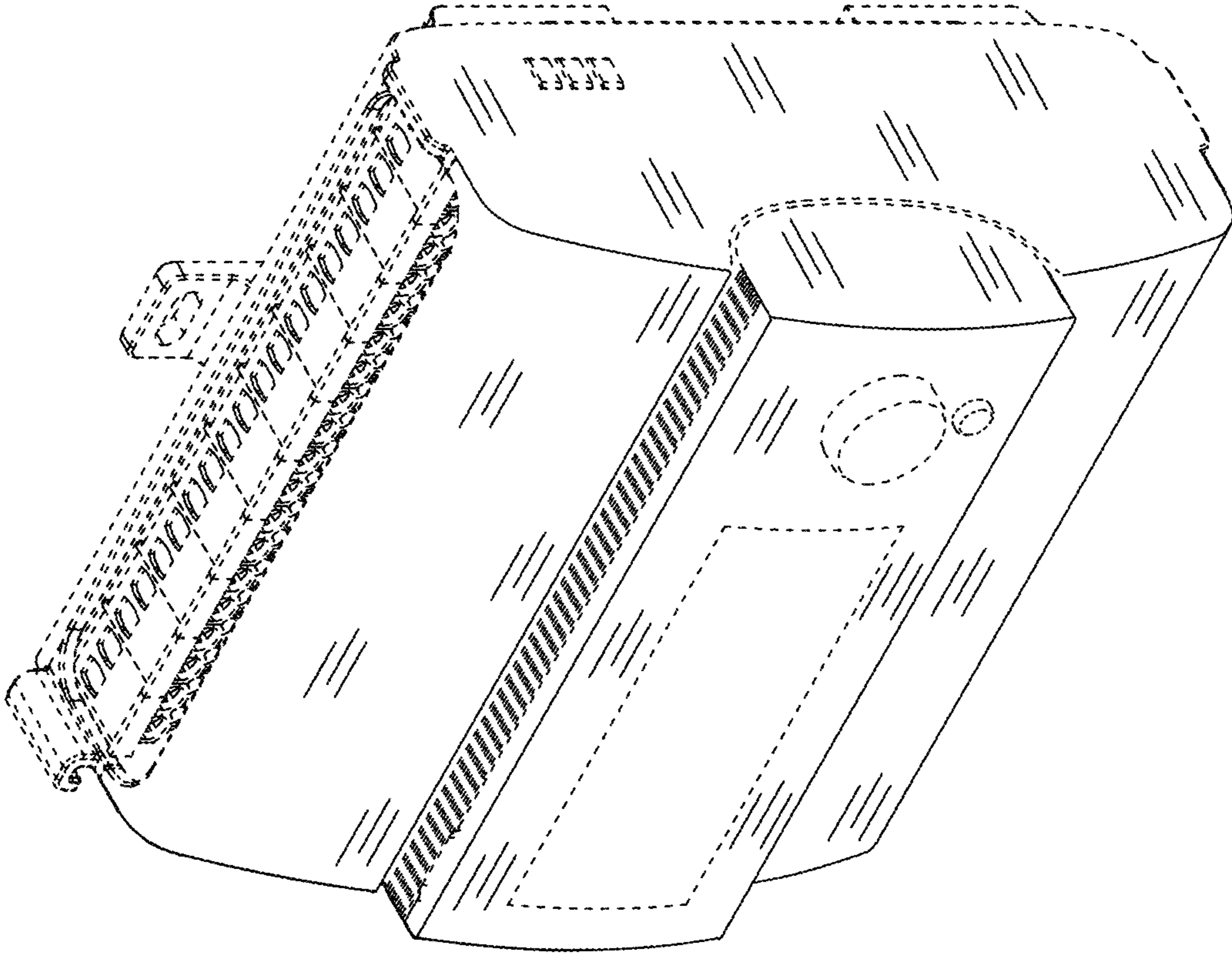


FIG. 8

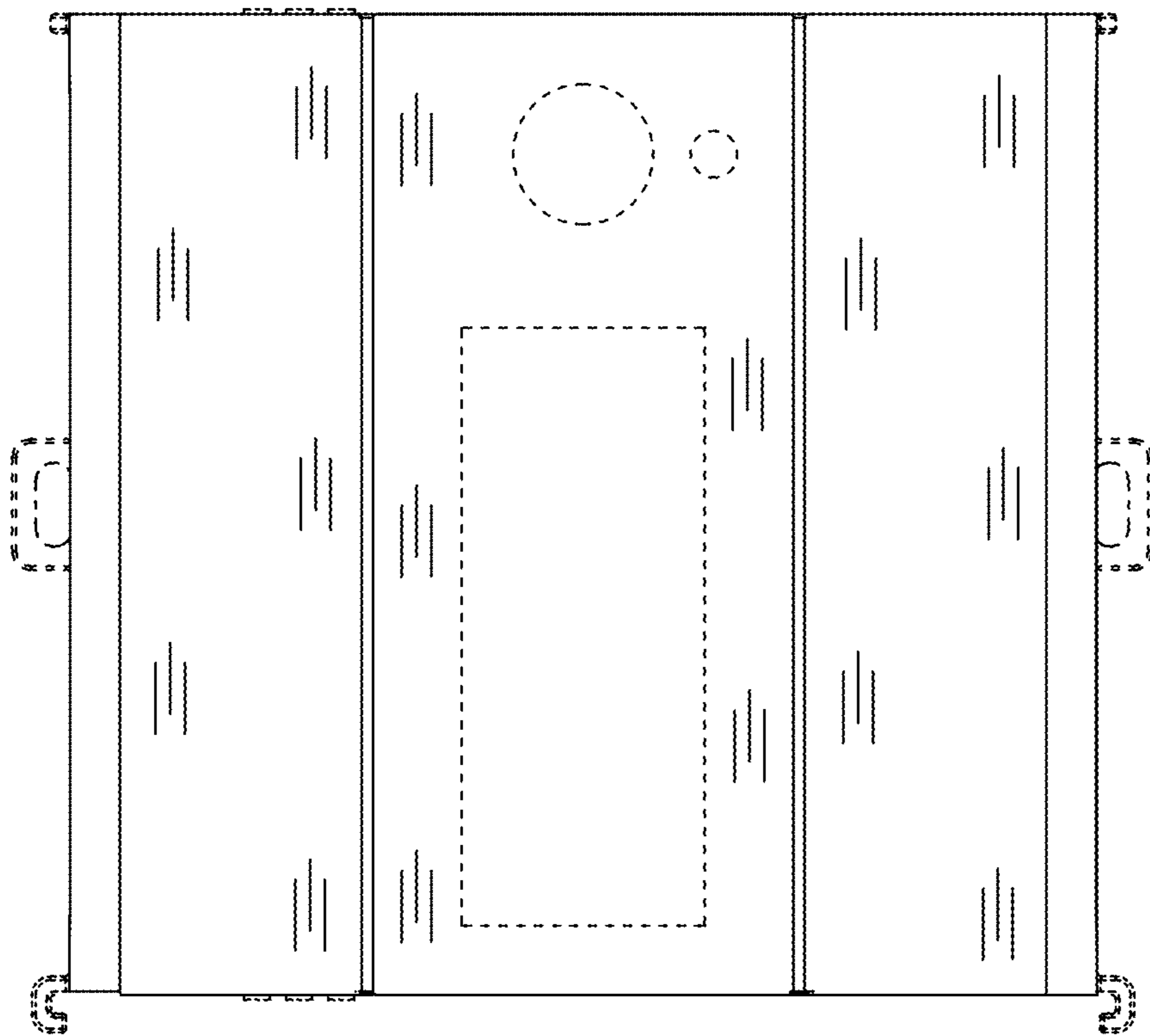


FIG. 9

FIG. 10

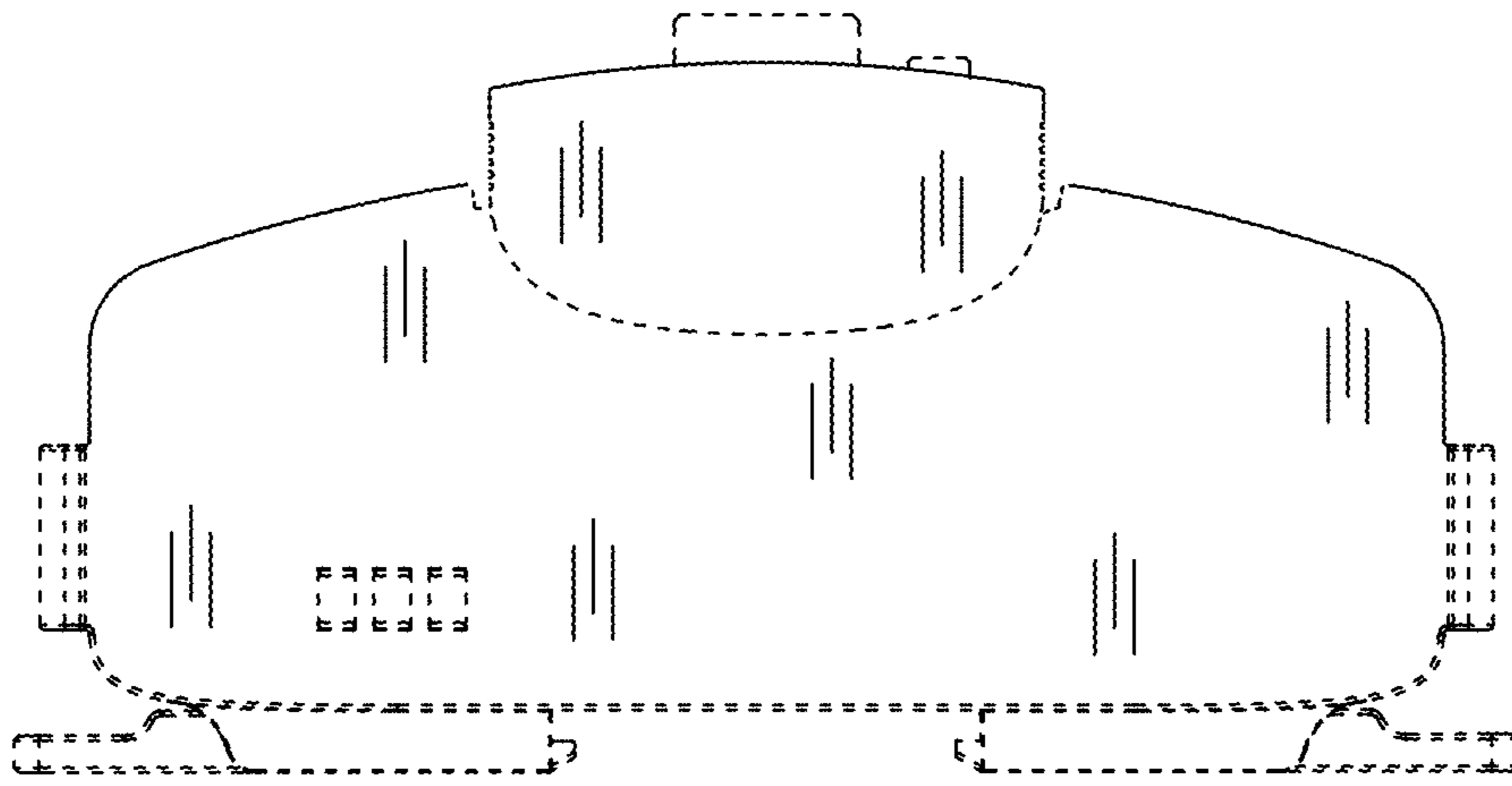
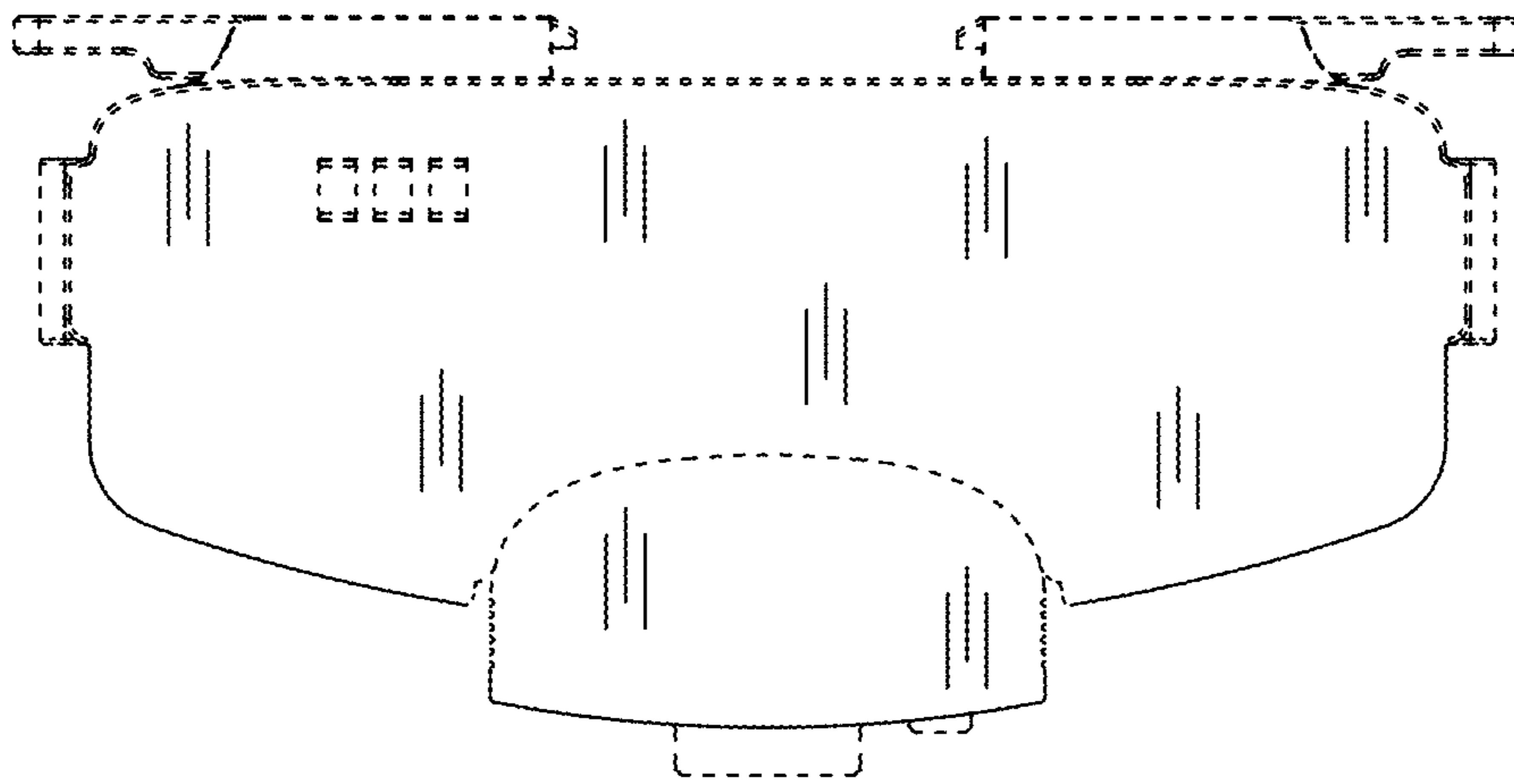


FIG. 11



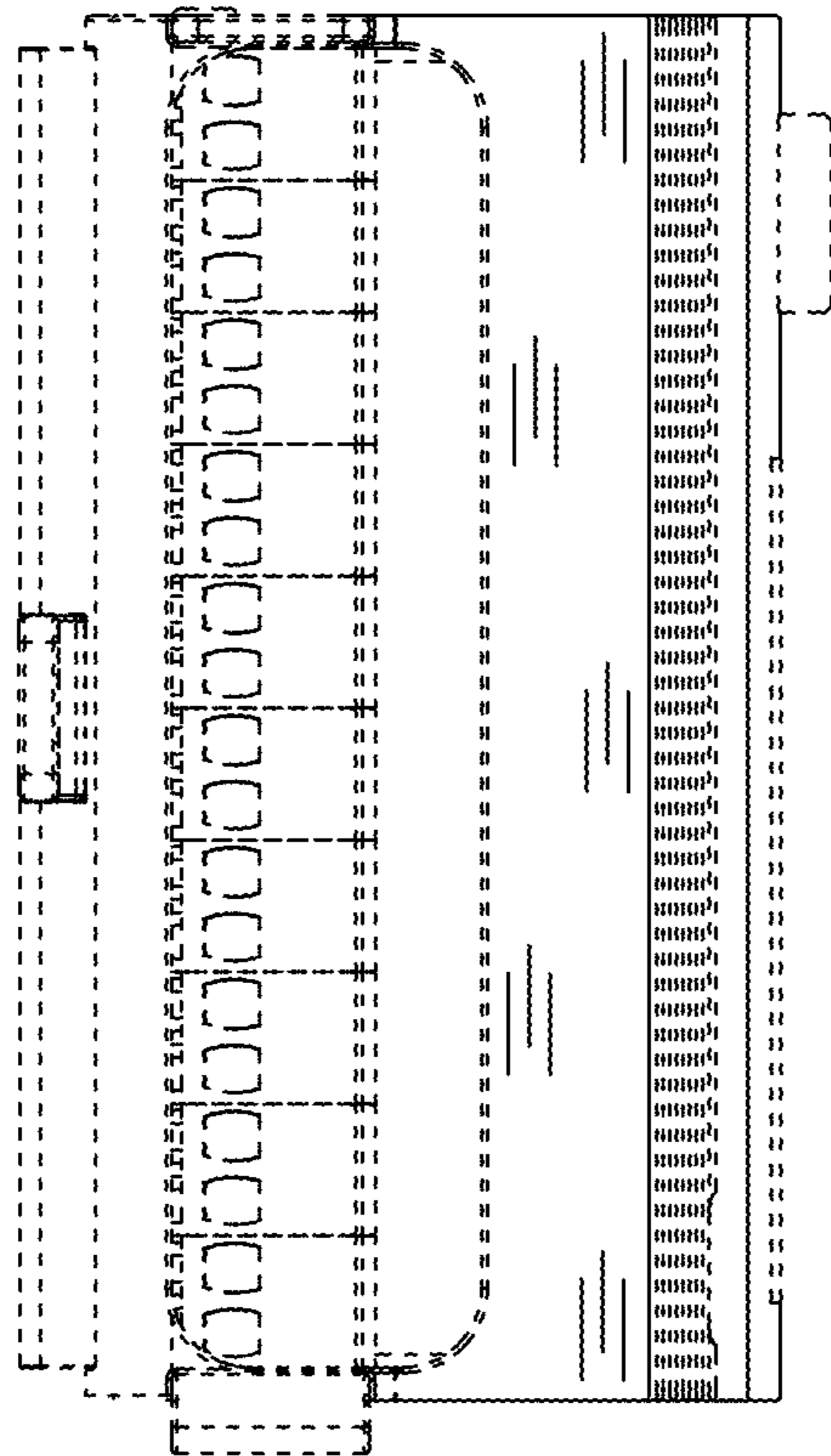


FIG. 12

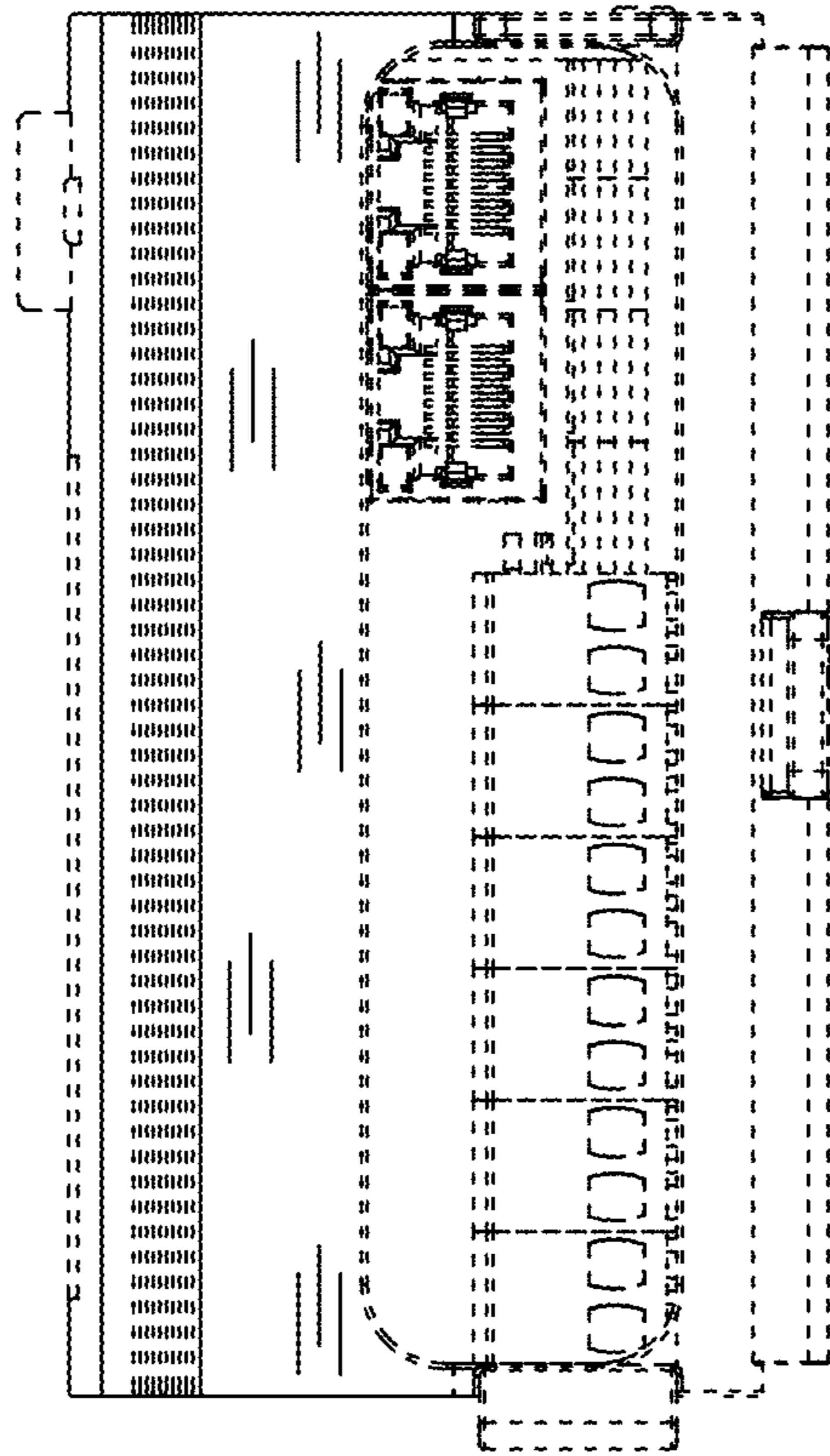


FIG. 13

FIG. 14

