



US00D905687S

(12) **United States Design Patent**
Cho et al.

(10) **Patent No.:** **US D905,687 S**

(45) **Date of Patent:** **** Dec. 22, 2020**

(54) **SMART WATCH CASE**

DESCRIPTION

(71) Applicant: **SAMSUNG ELECTRONICS CO., LTD.**, Suwon-si (KR)

(72) Inventors: **Yonghee Cho**, Seoul (KR); **Hyemin Bae**, Seoul (KR); **Minki Ham**, Seoul (KR); **Jaehyung Hong**, Seoul (KR)

(73) Assignee: **SAMSUNG ELECTRONICS CO., LTD.**, Gyeonggi-do (KR)

(**) Term: **15 Years**

(21) Appl. No.: **29/628,585**

(22) Filed: **Dec. 6, 2017**

(30) **Foreign Application Priority Data**

Aug. 18, 2017 (KR) 30-2017-0038454
Aug. 18, 2017 (KR) 30-2017-0038455

(51) **LOC (12) Cl.** **14-02**

(52) **U.S. Cl.**
USPC **D14/344**

(58) **Field of Classification Search**
USPC .. D14/138 R, 144, 341, 344, 358, 388, 218;
D10/30-39, 70, 98; D11/3, 4, 26, 93-94,
(Continued)

(56) **References Cited**

U.S. PATENT DOCUMENTS

D287,470 S * 12/1986 Houlihan D10/30
D380,391 S * 7/1997 Osit D10/30
(Continued)

Primary Examiner — Shannon W Morgan

Assistant Examiner — Kristin E Reed

(74) *Attorney, Agent, or Firm* — Cantor Colburn LLP

(57) **CLAIM**

The ornamental design for a smart watch case, as shown and described.

FIG. 1 is a front perspective view of a first embodiment of a smart watch case, showing our new design;

FIG. 2 is a front view thereof;

FIG. 3 is a rear view thereof;

FIG. 4 is a left-side view thereof;

FIG. 5 is a right-side view thereof;

FIG. 6 is a top view thereof;

FIG. 7 is a bottom view thereof;

FIG. 8 is another perspective view showing a use state of the first embodiment of the smart watch case to which a strap is connected;

FIG. 9 is a front perspective view of a second embodiment of a smart watch case, showing our new design;

FIG. 10 is a front view thereof;

FIG. 11 is a rear view thereof;

FIG. 12 is a left-side view thereof;

FIG. 13 is a right-side view thereof;

FIG. 14 is a top view thereof;

FIG. 15 is a bottom view thereof;

FIG. 16 is another perspective view showing a use state of the second embodiment of the smart watch case to which a strap is connected;

FIG. 17 is a front perspective view of a third embodiment of a smart watch case, showing our new design;

FIG. 18 is a front view thereof;

FIG. 19 is a rear view thereof;

FIG. 20 is a left-side view thereof;

FIG. 21 is a right-side view thereof;

FIG. 22 is a top view thereof;

FIG. 23 is a bottom view thereof;

FIG. 24 is another perspective view showing a use state of the third embodiment of the smart watch case to which a strap is connected;

FIG. 25 is a front perspective view of a fourth embodiment of a Smart Watch Case, showing our new design;

FIG. 26 is a front view thereof;

FIG. 27 is a rear view thereof;

FIG. 28 is a left-side view thereof;

FIG. 29 is a right-side view thereof;

FIG. 30 is a top view thereof;

FIG. 31 is a bottom view thereof; and,

(Continued)

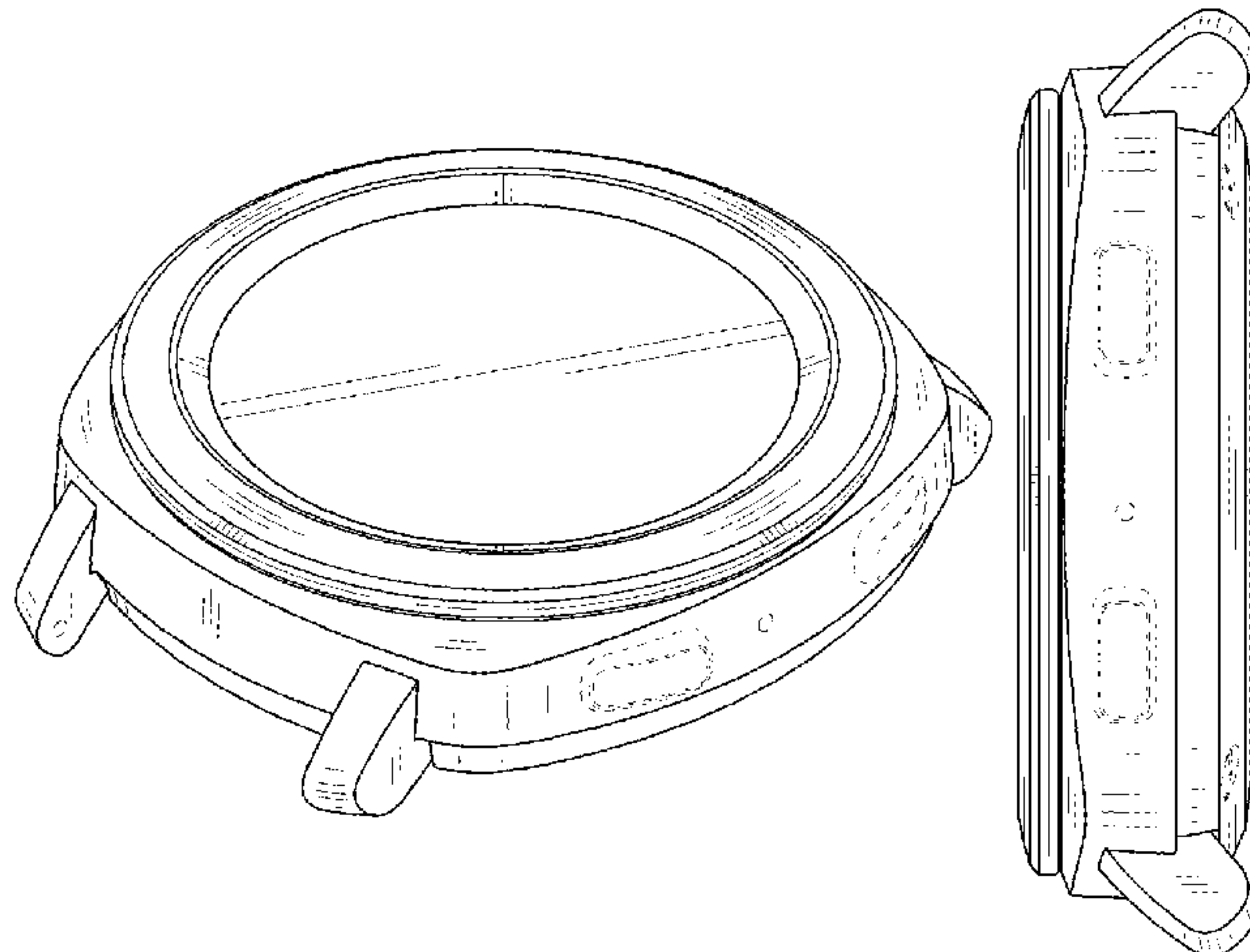


FIG. 32 is another perspective view showing a use state of the fourth embodiment of the smart watch case to which a strap is connected.

The broken lines illustrating portions of the smart watch case form no part of the claimed design.

1 Claim, 16 Drawing Sheets

(58) **Field of Classification Search**

USPC D11/78.1, 79, 86; D24/167, 169,
D24/186-187, 164; D3/315, 318, 320,
D3/322
CPC A41D 1/002; A41D 19/0034; G06F 1/04;
G06F 1/08; G06F 1/10; G06F 1/14; G06F
1/1626; G06F 1/1628; G06F 1/163; G06F
1/1635; G06F 1/3203; G06Q 20/10;
G06Q 20/12; G06Q 20/108; G06Q
20/145; H04B 1/3833; H04B 1/385;

H04B 1/3888; H04M 1/02; H04M 1/03;
H04M 1/04; H04M 1/05; H04M 1/667;
H04M 1/6058; Y02B 60/1217

See application file for complete search history.

(56)

References Cited

U.S. PATENT DOCUMENTS

D438,122	S	*	2/2001	Lai	D10/30
D470,776	S	*	2/2003	Blondin	D10/30
D735,586	S	*	8/2015	Stegmann	D10/30
D771,505	S	*	11/2016	Cerrato	D10/30
D772,868	S	*	11/2016	Park	D10/39
D794,631	S	*	8/2017	Solomon	D10/38
D812,498	S	*	3/2018	Lacroix-Gachet	D10/32
D817,952	S	*	5/2018	Choi	D14/344
D822,508	S	*	7/2018	Tonohori	D10/38
D836,101	S	*	12/2018	Bang	D14/344
2017/0020453	A1	*	1/2017	Nakagawa	A61B 5/681

* cited by examiner

FIG.1

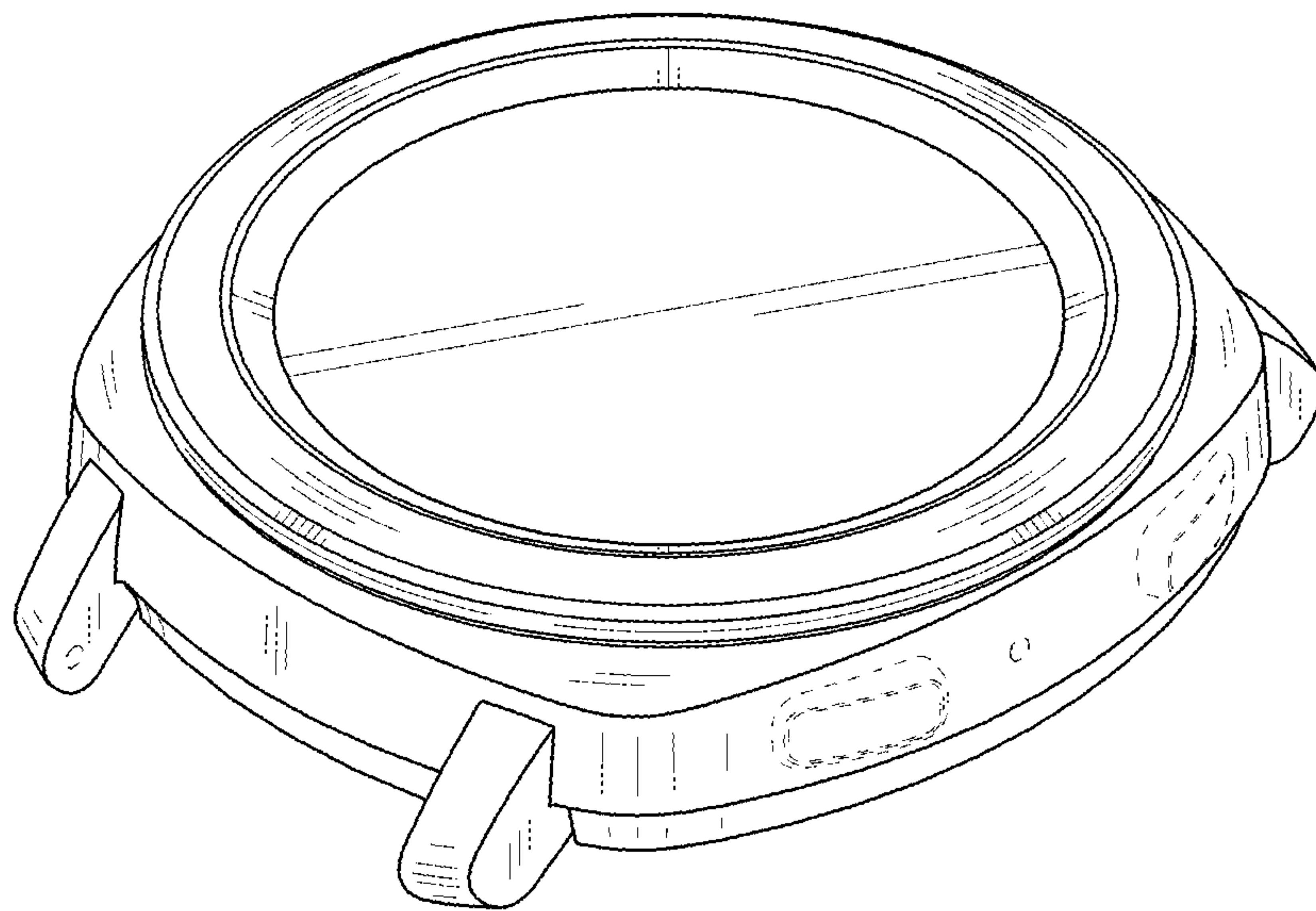


FIG.2

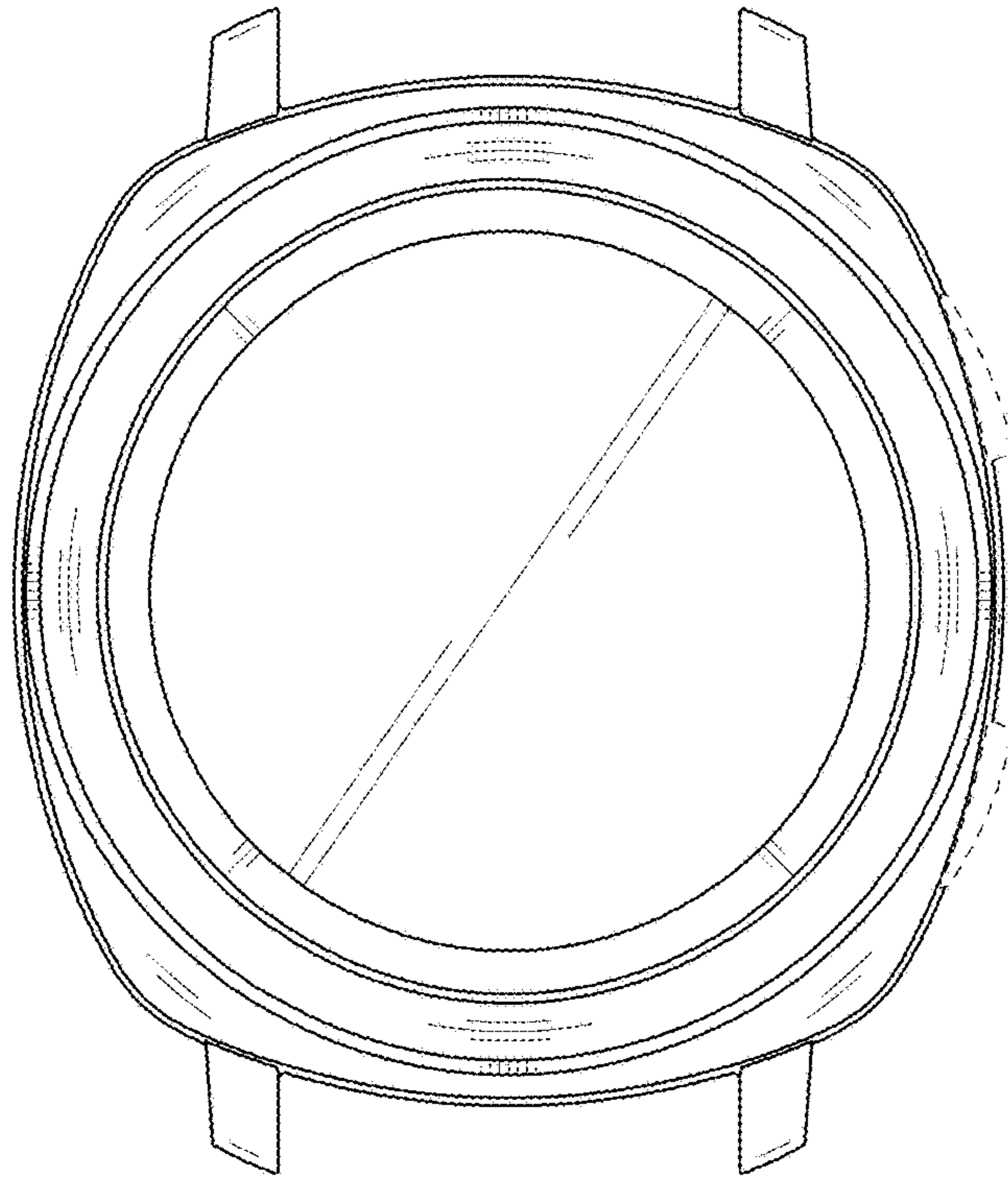


FIG.3

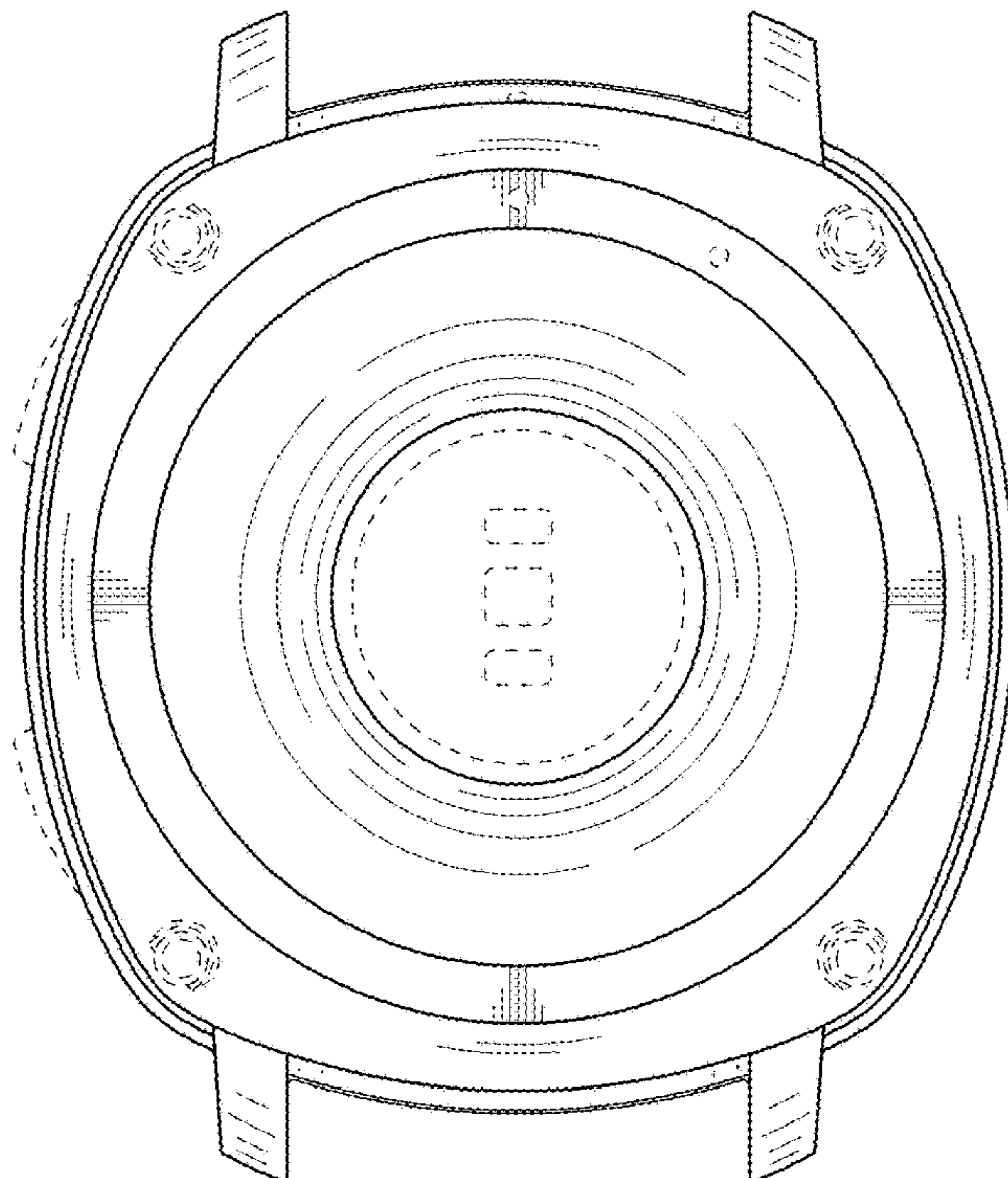


FIG.4

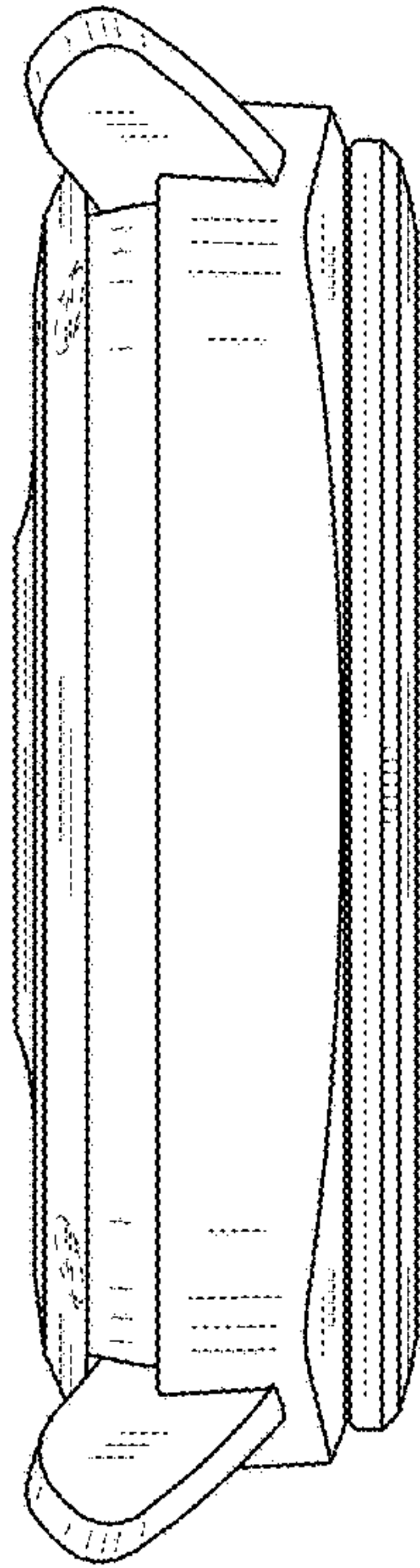


FIG.5

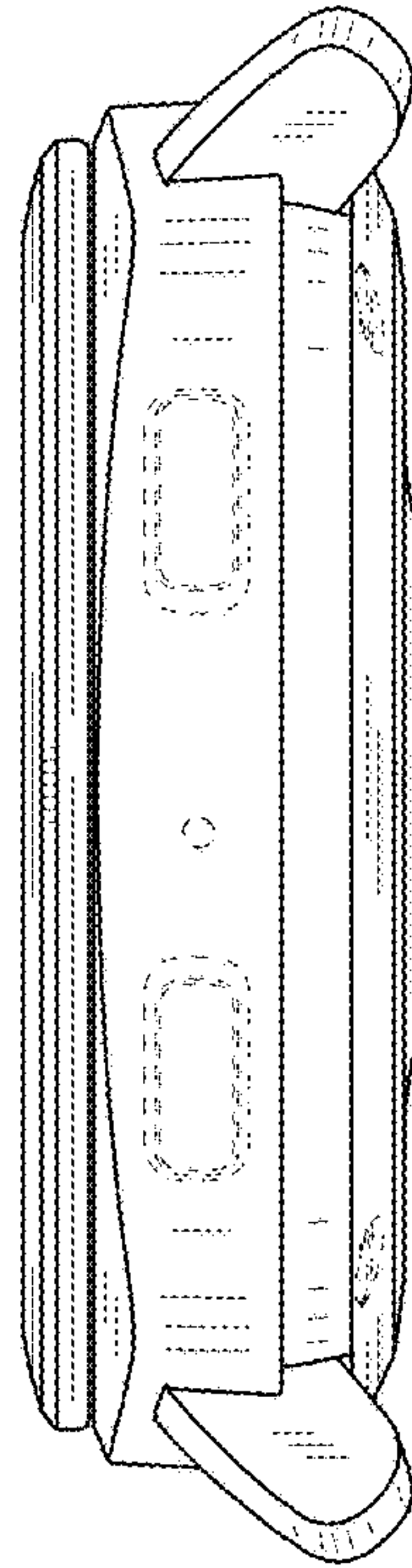


FIG.6

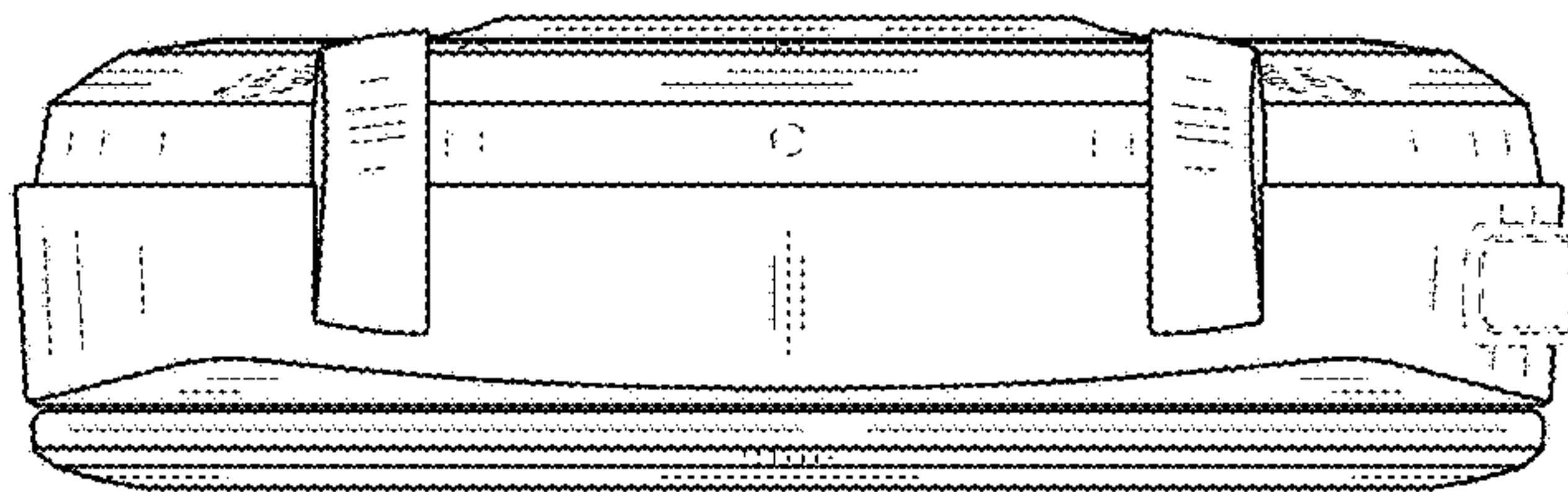


FIG.7

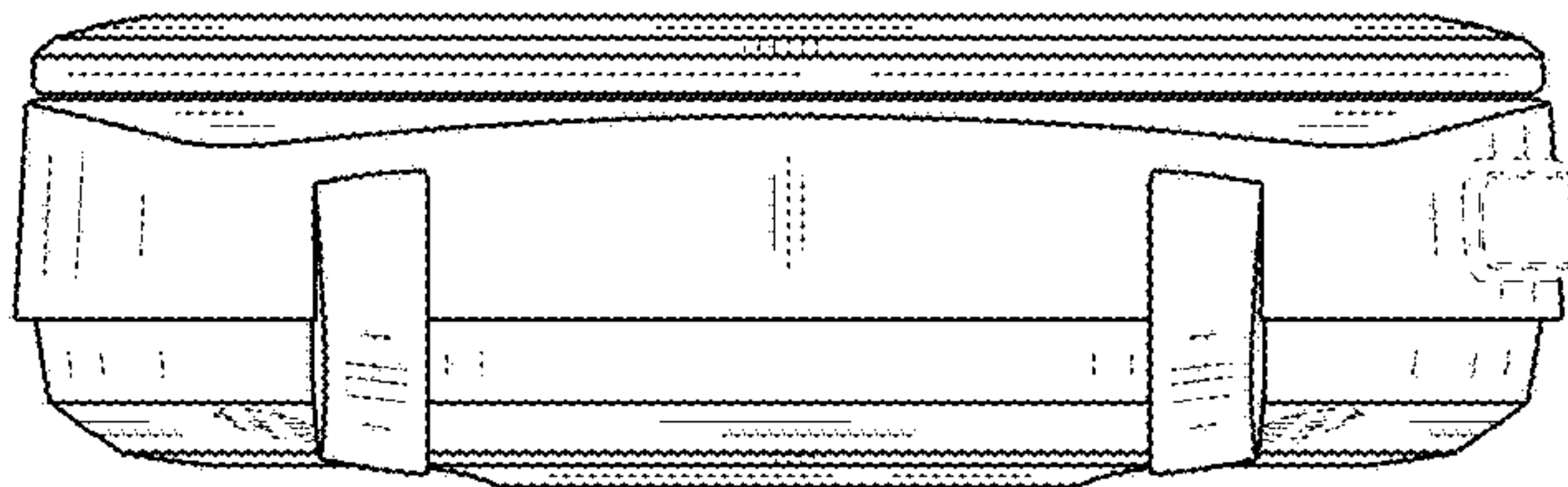


FIG.8

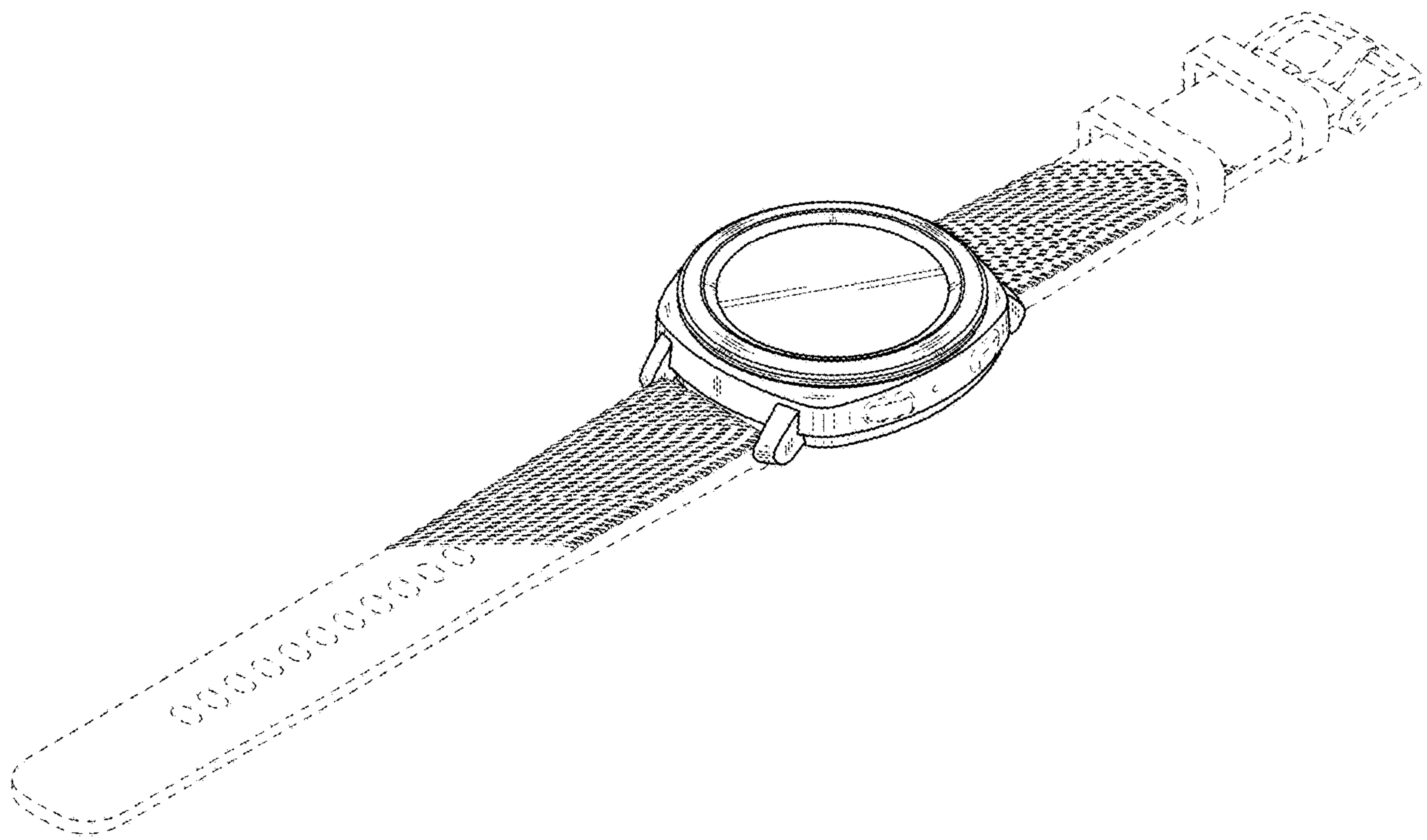


FIG.9

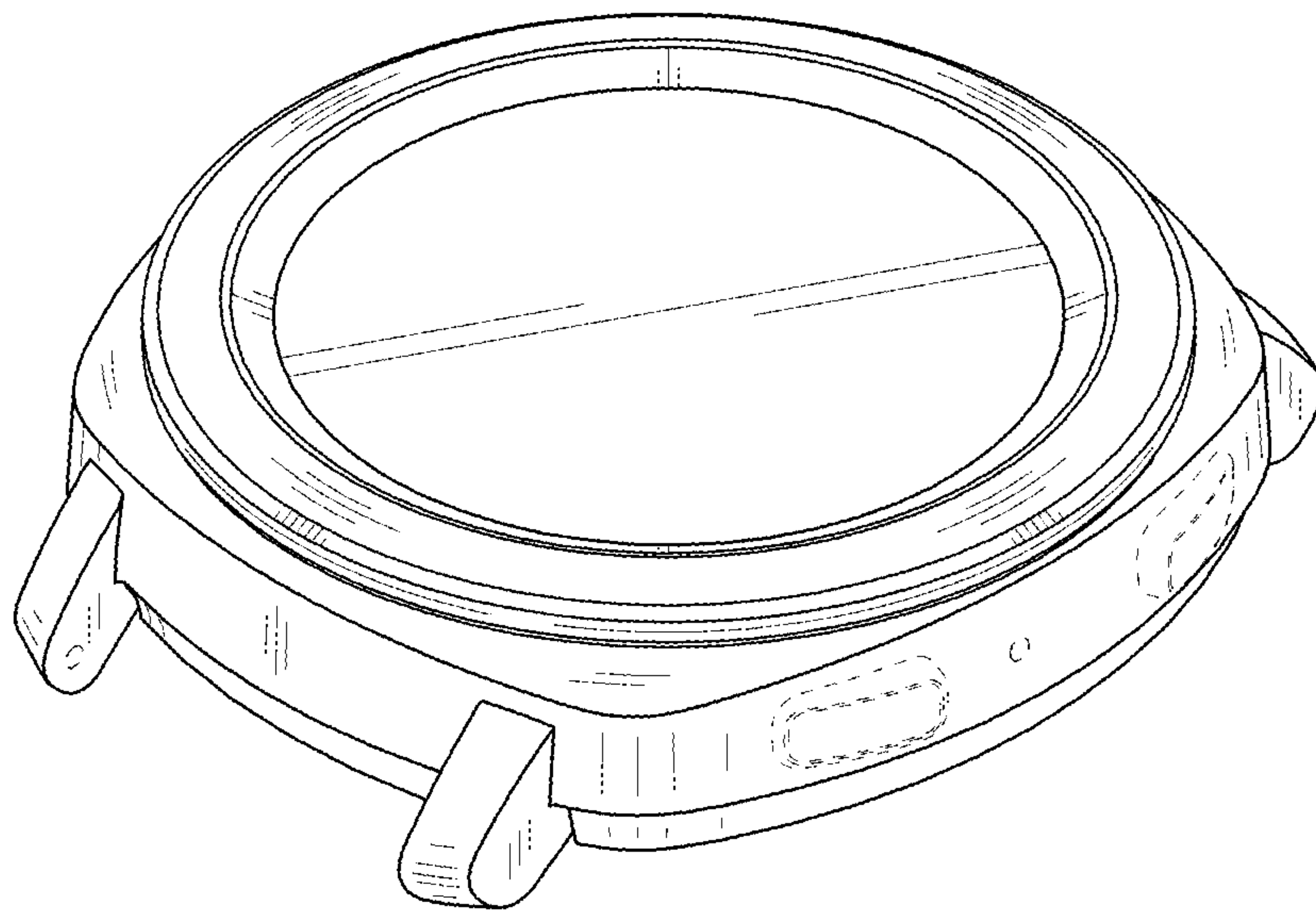


FIG.10

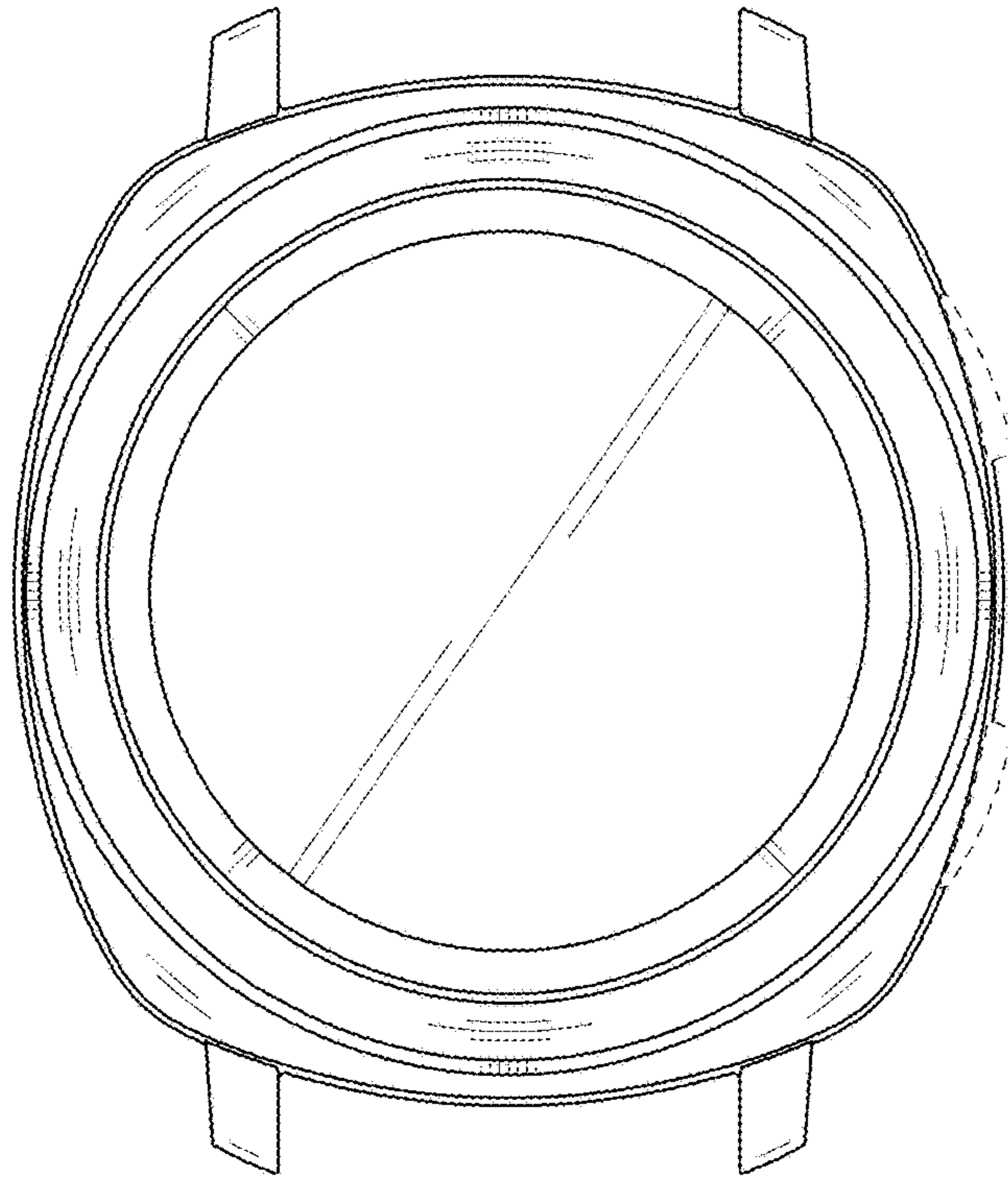


FIG.11

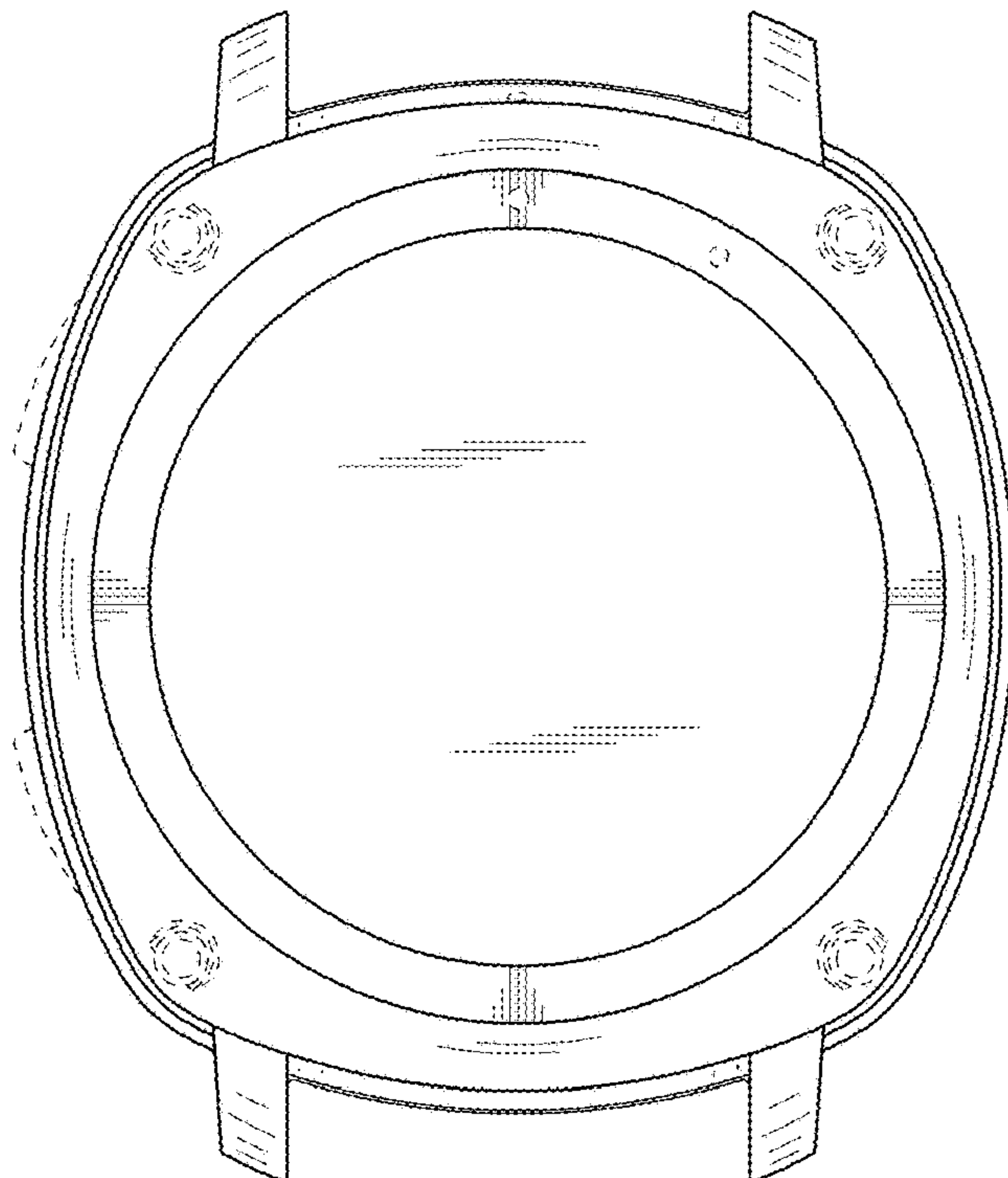


FIG.12

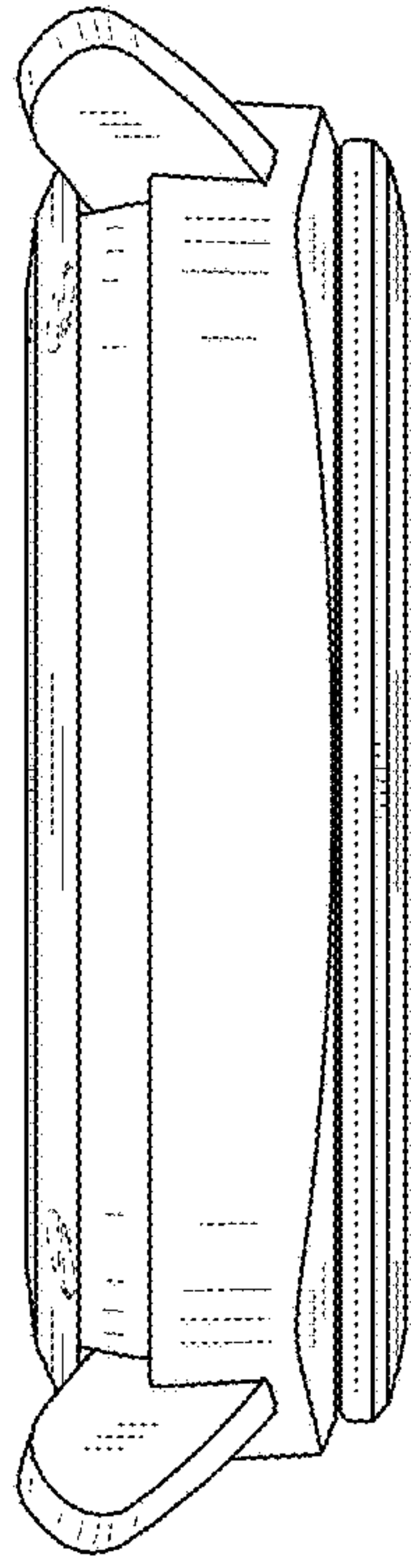


FIG.13

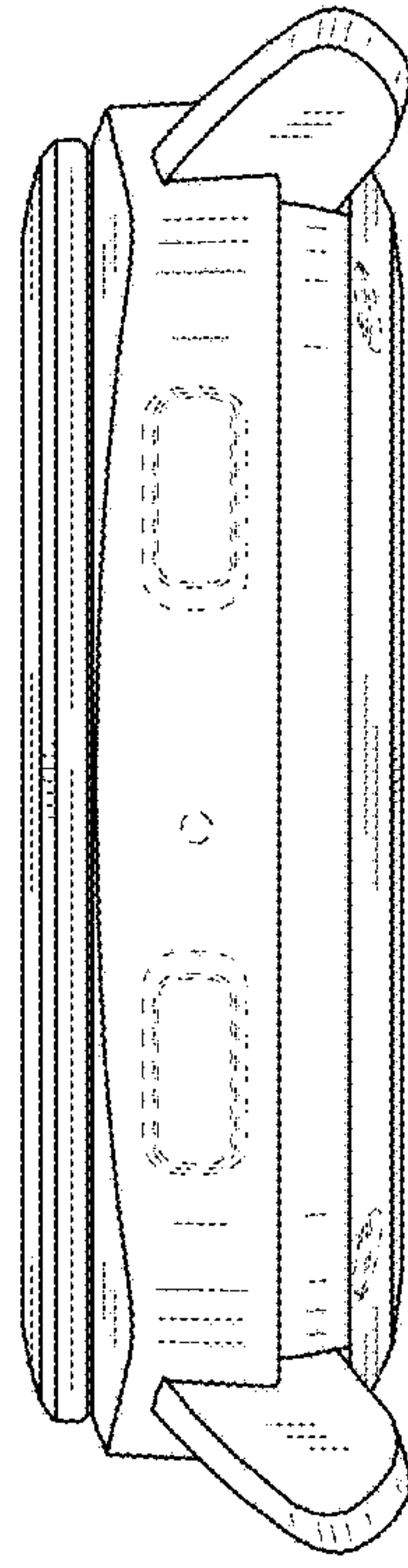


FIG.14

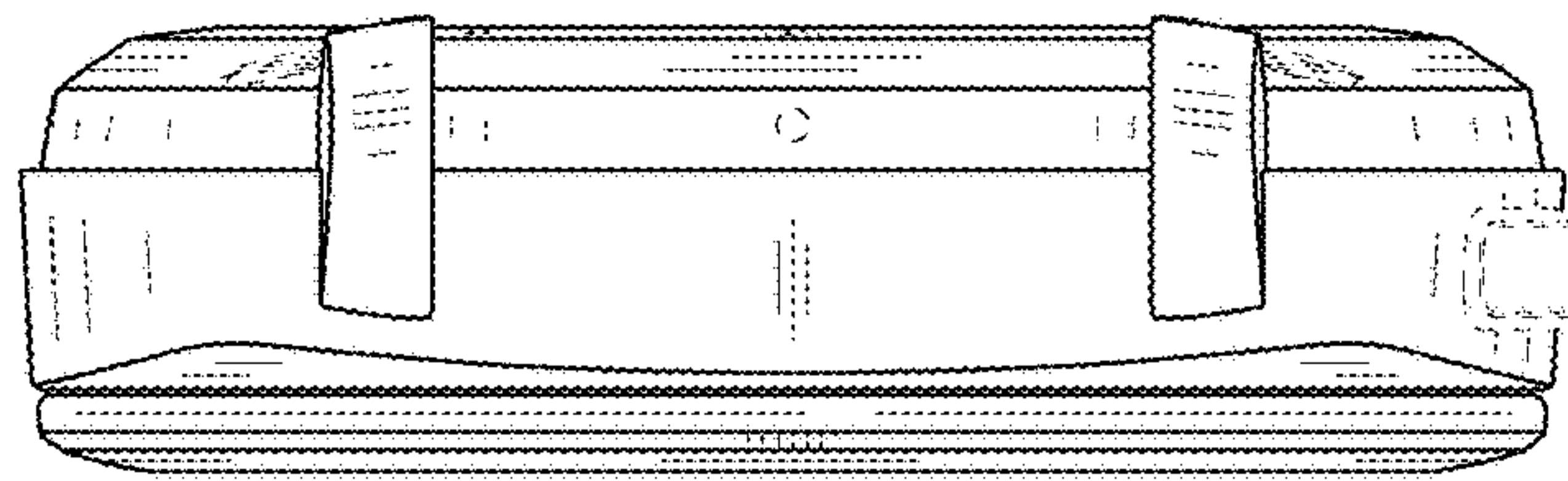


FIG.15

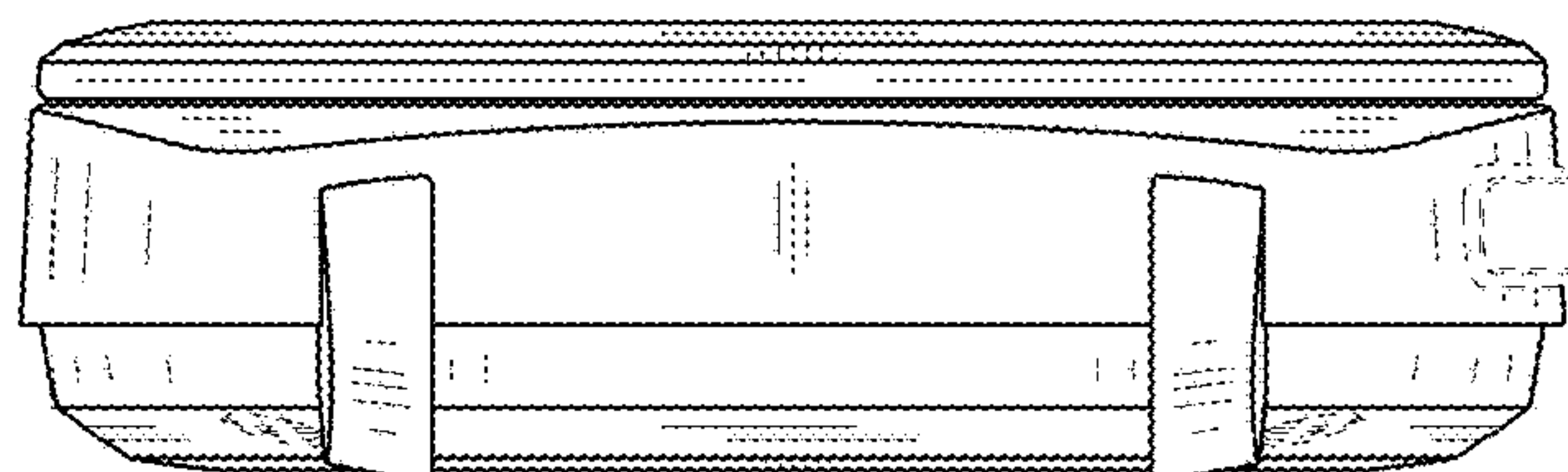


FIG.16

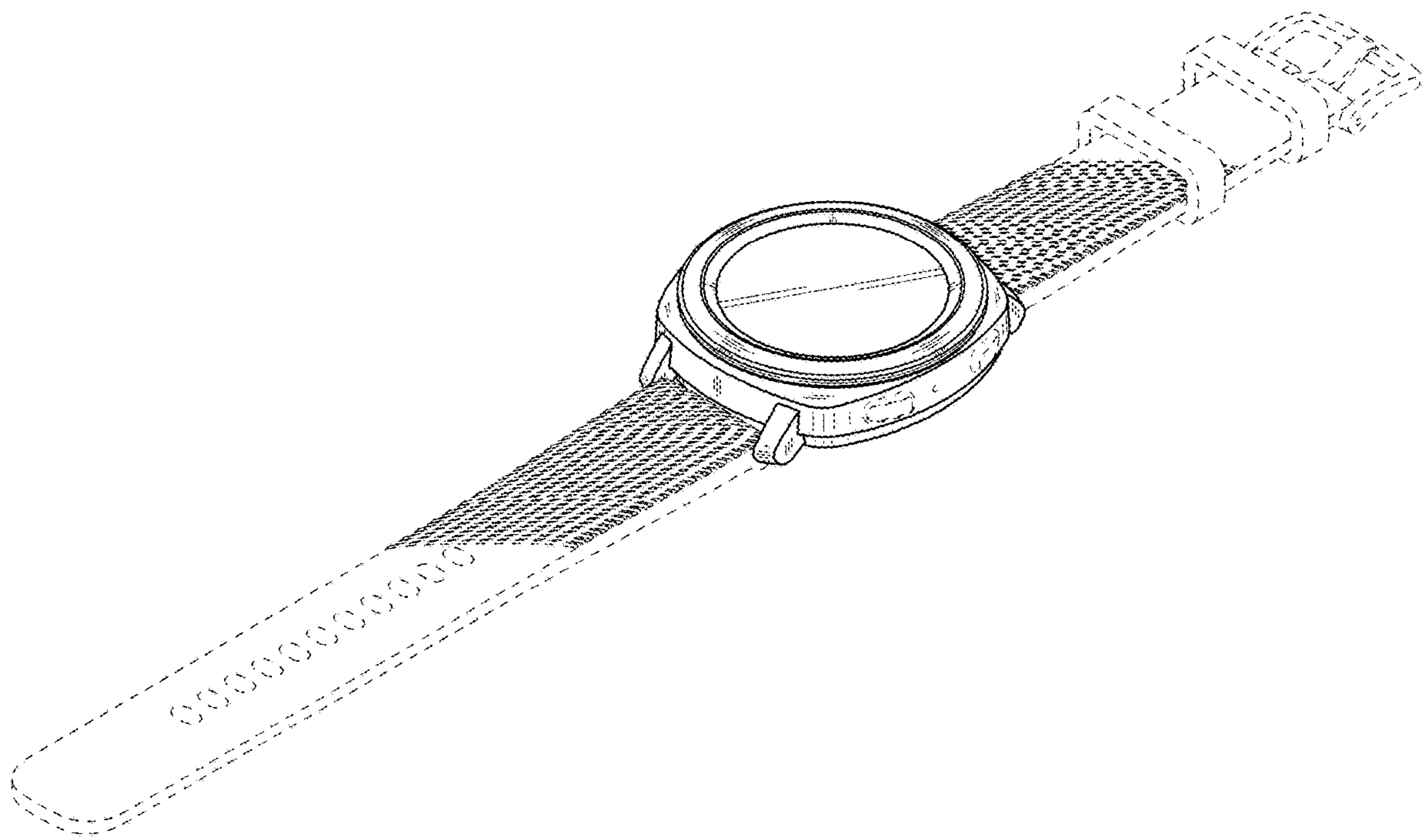


FIG.17

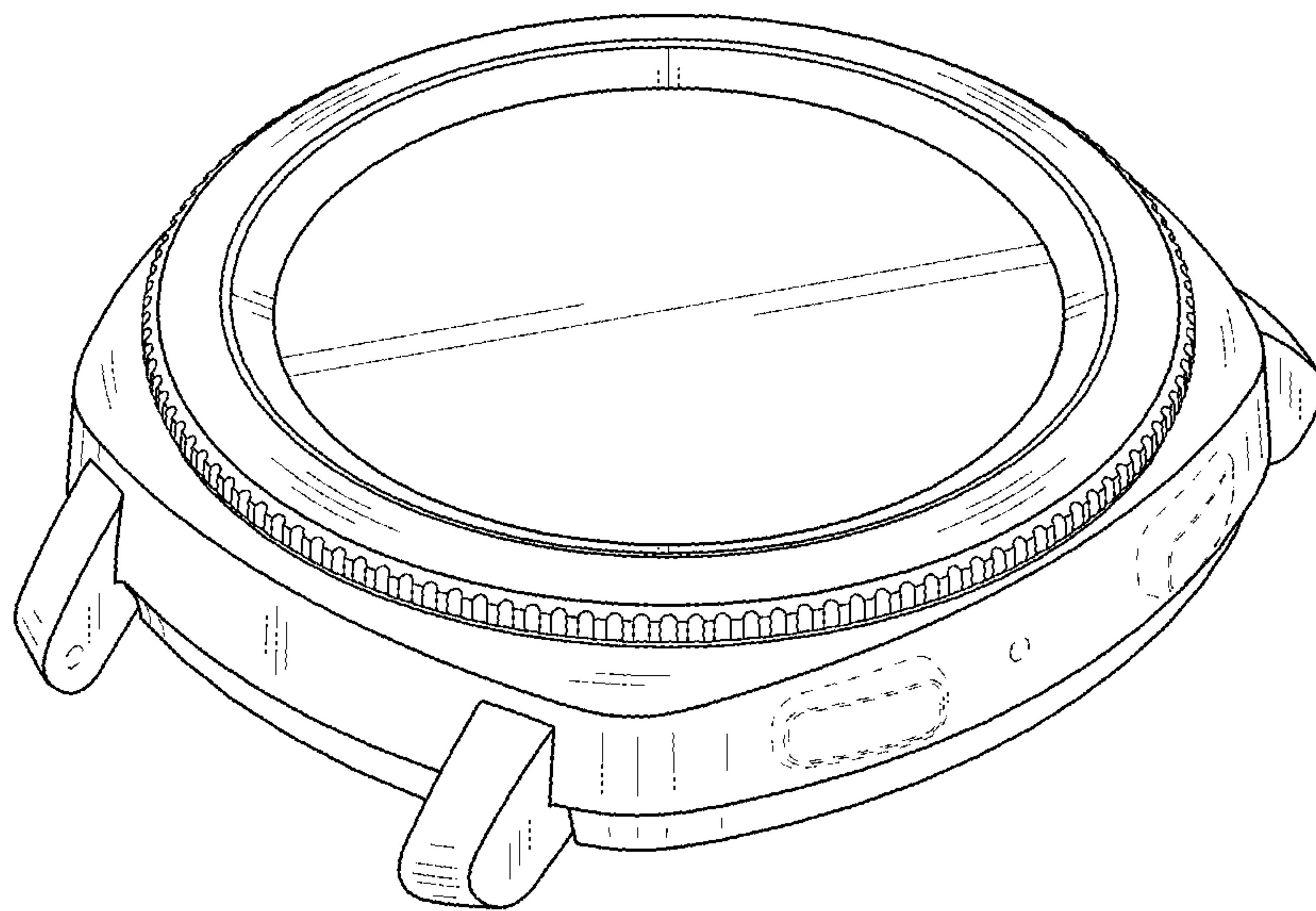


FIG.18

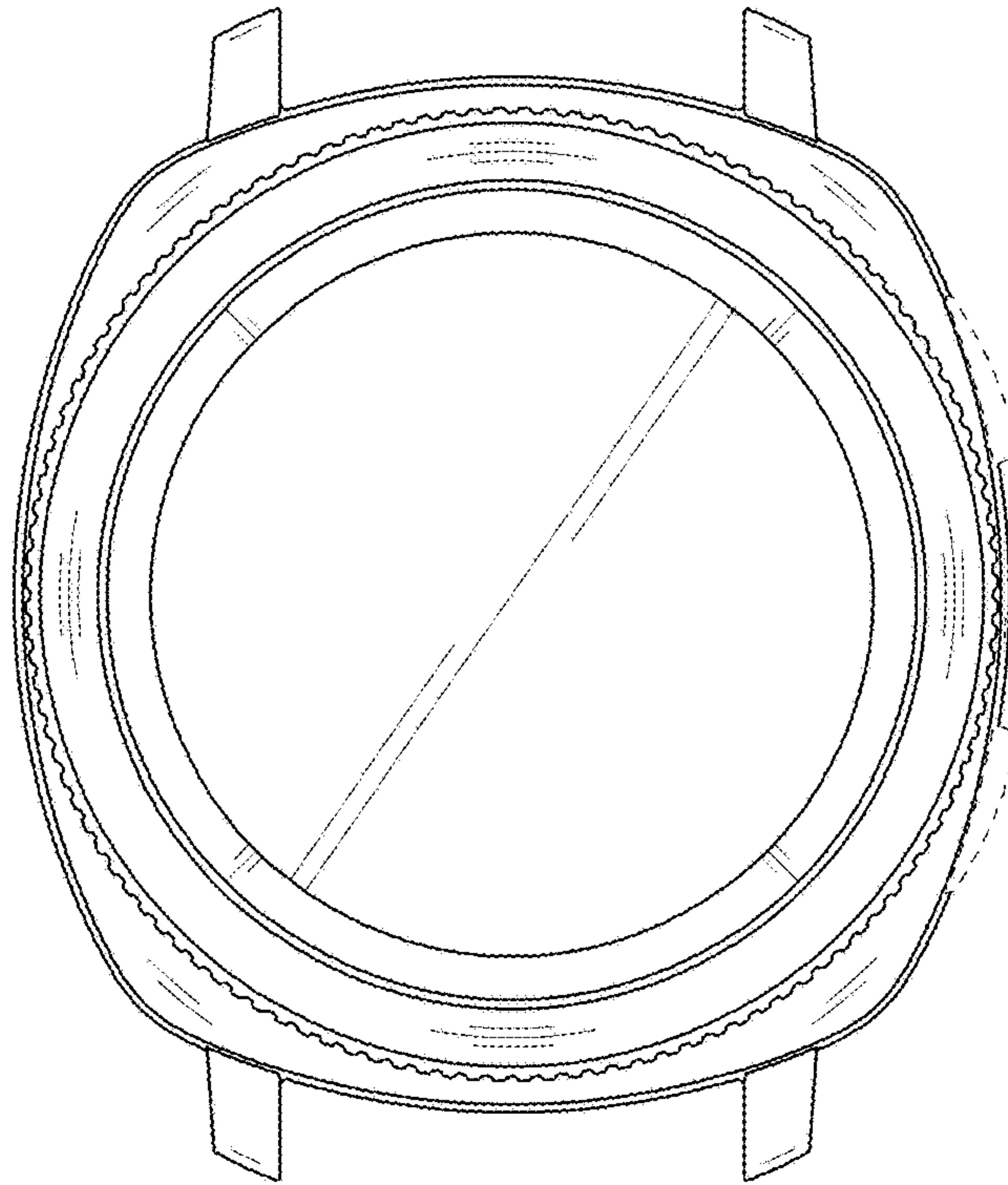


FIG.19

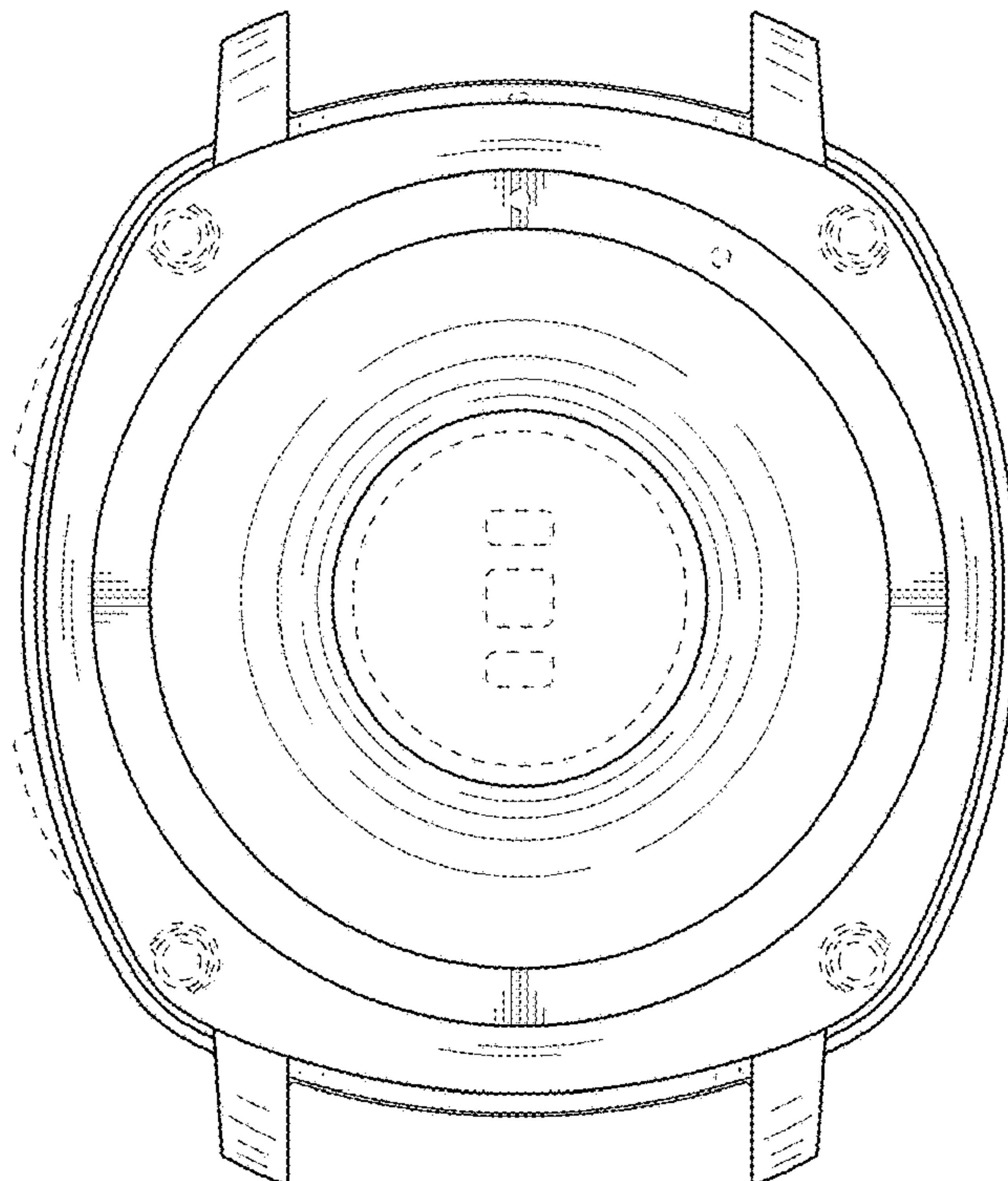


FIG.20

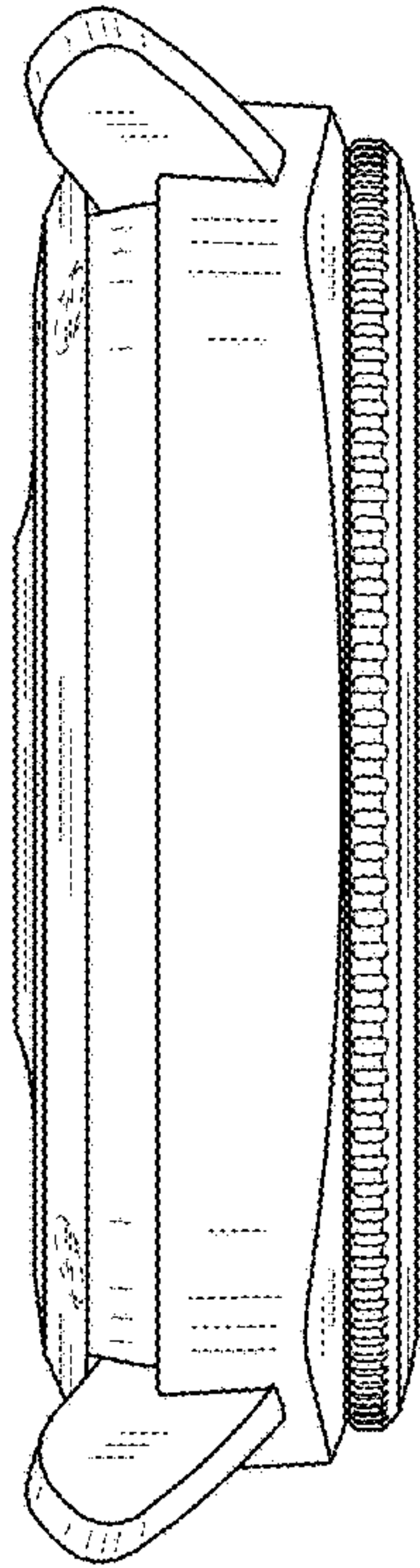


FIG.21

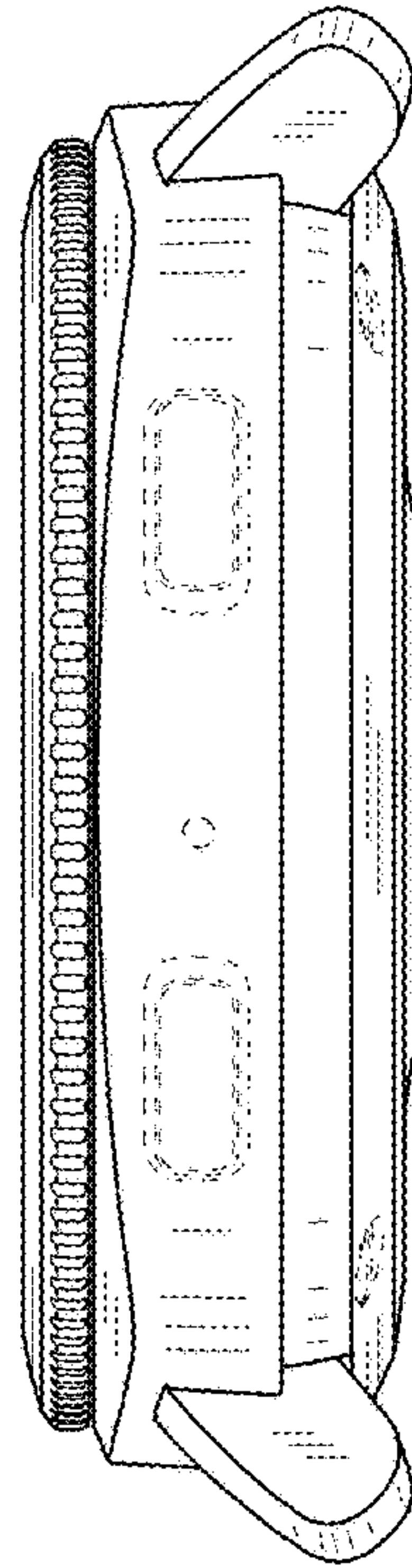


FIG.22

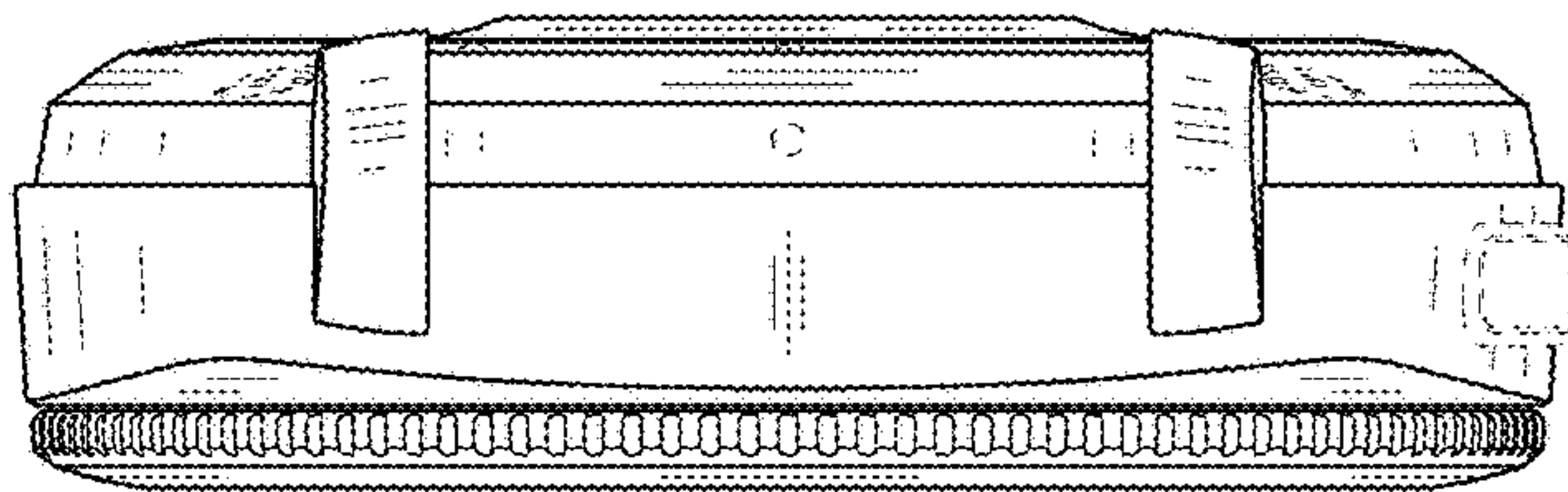


FIG.23

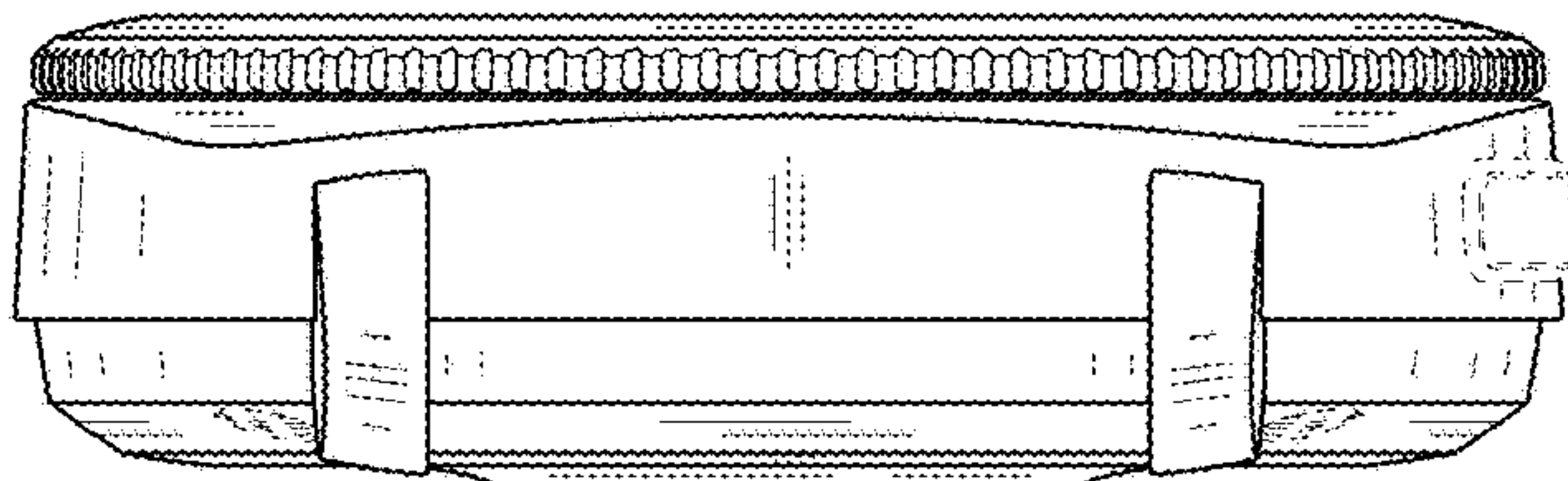


FIG.24

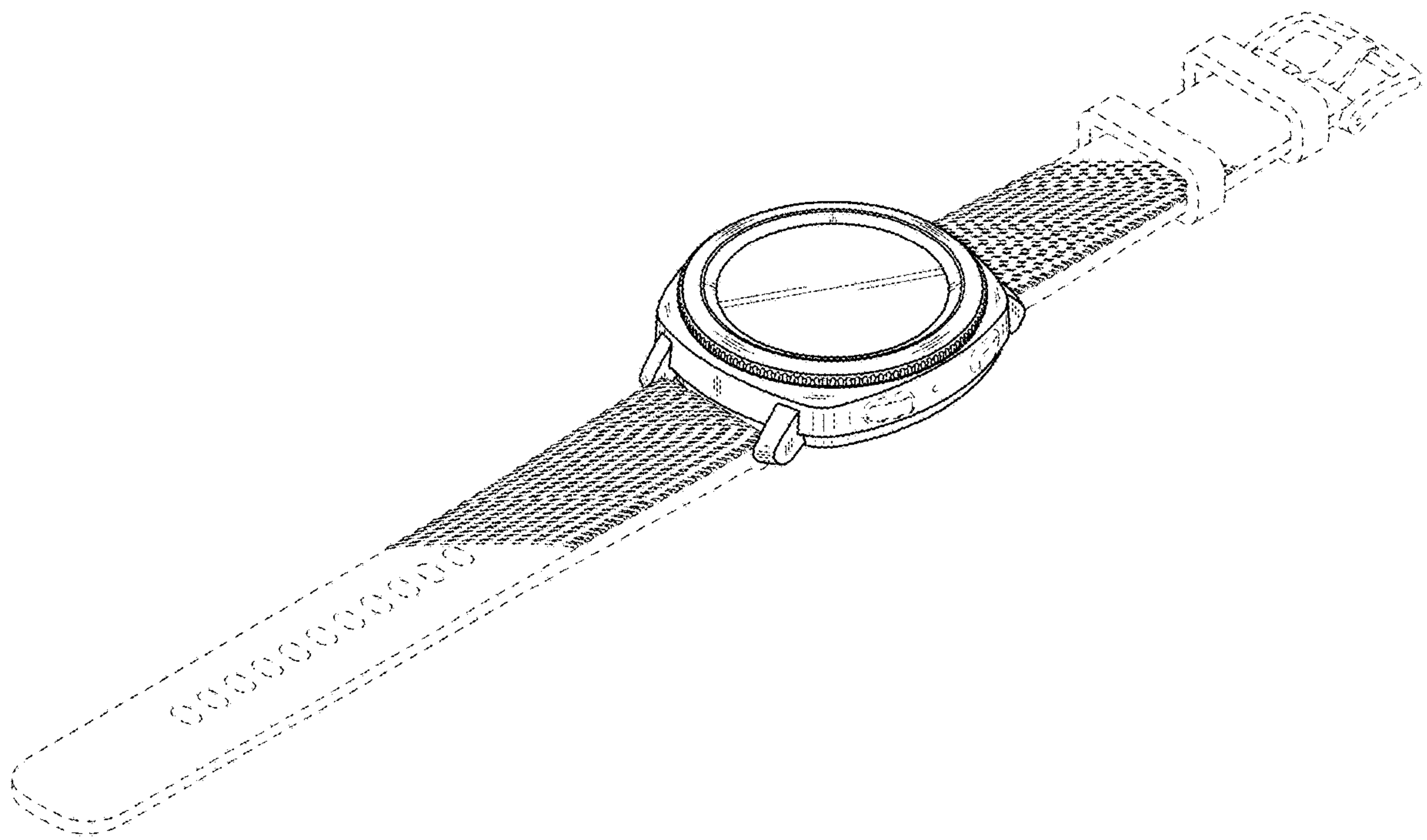


FIG.25

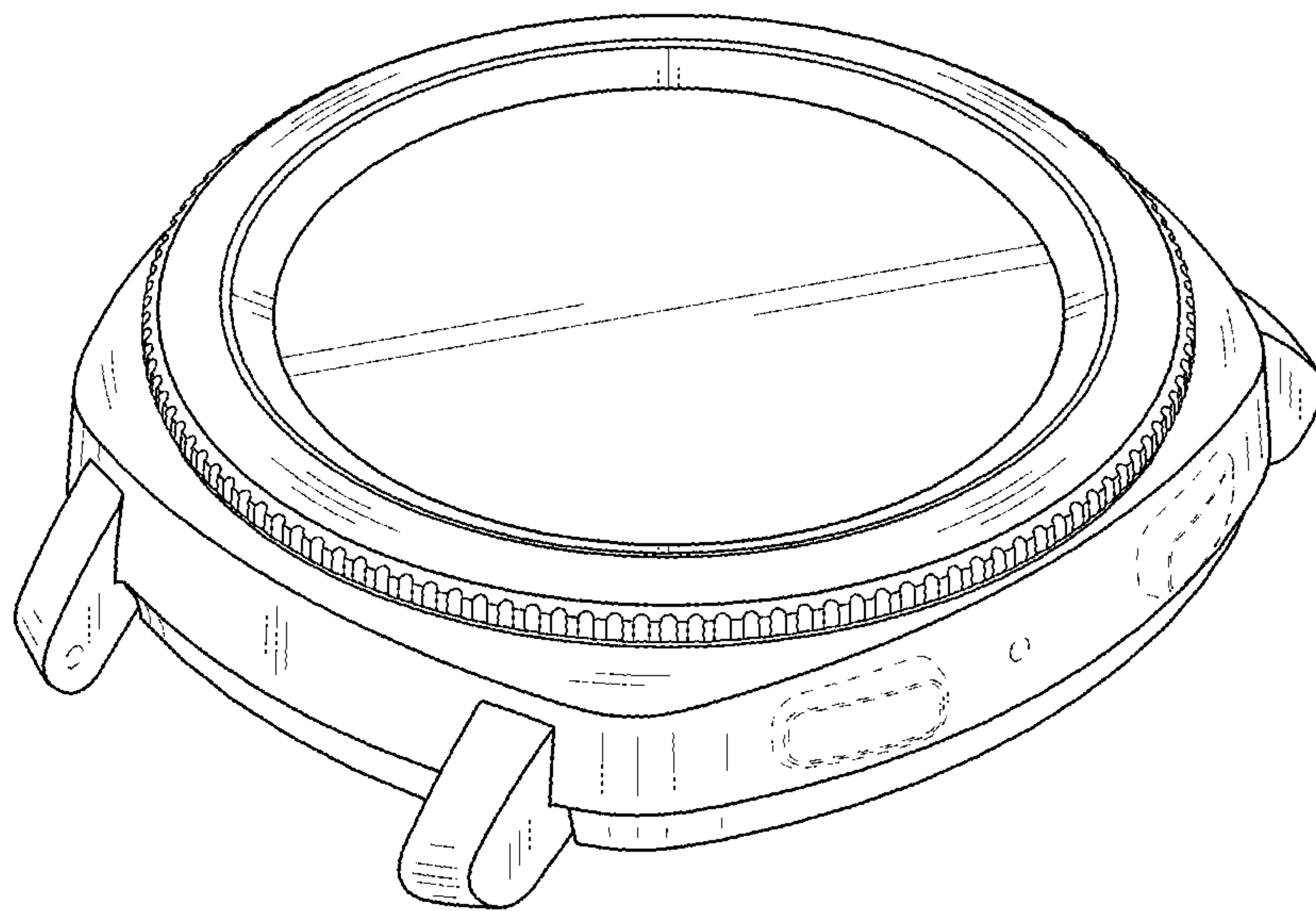


FIG.26

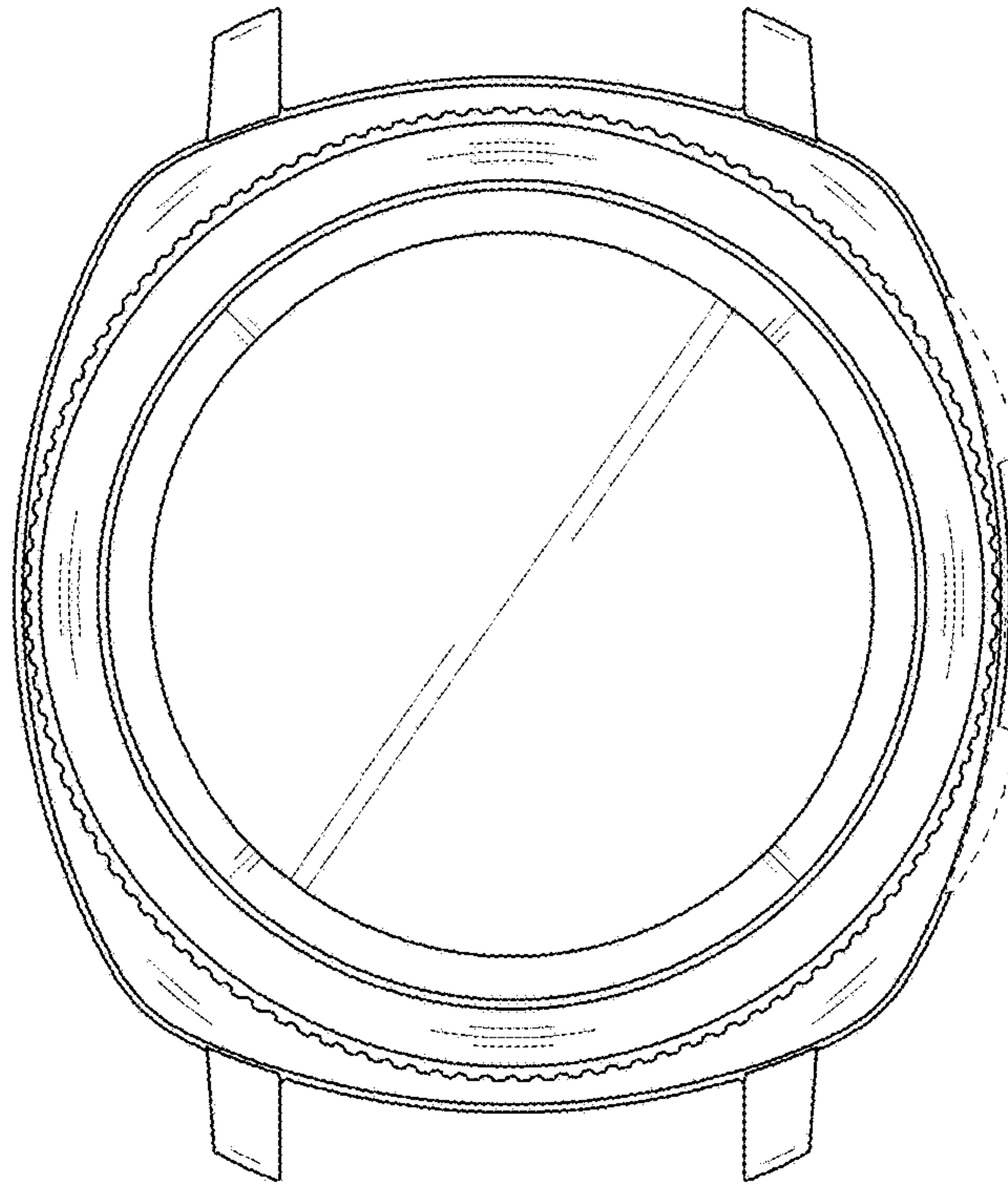


FIG.27

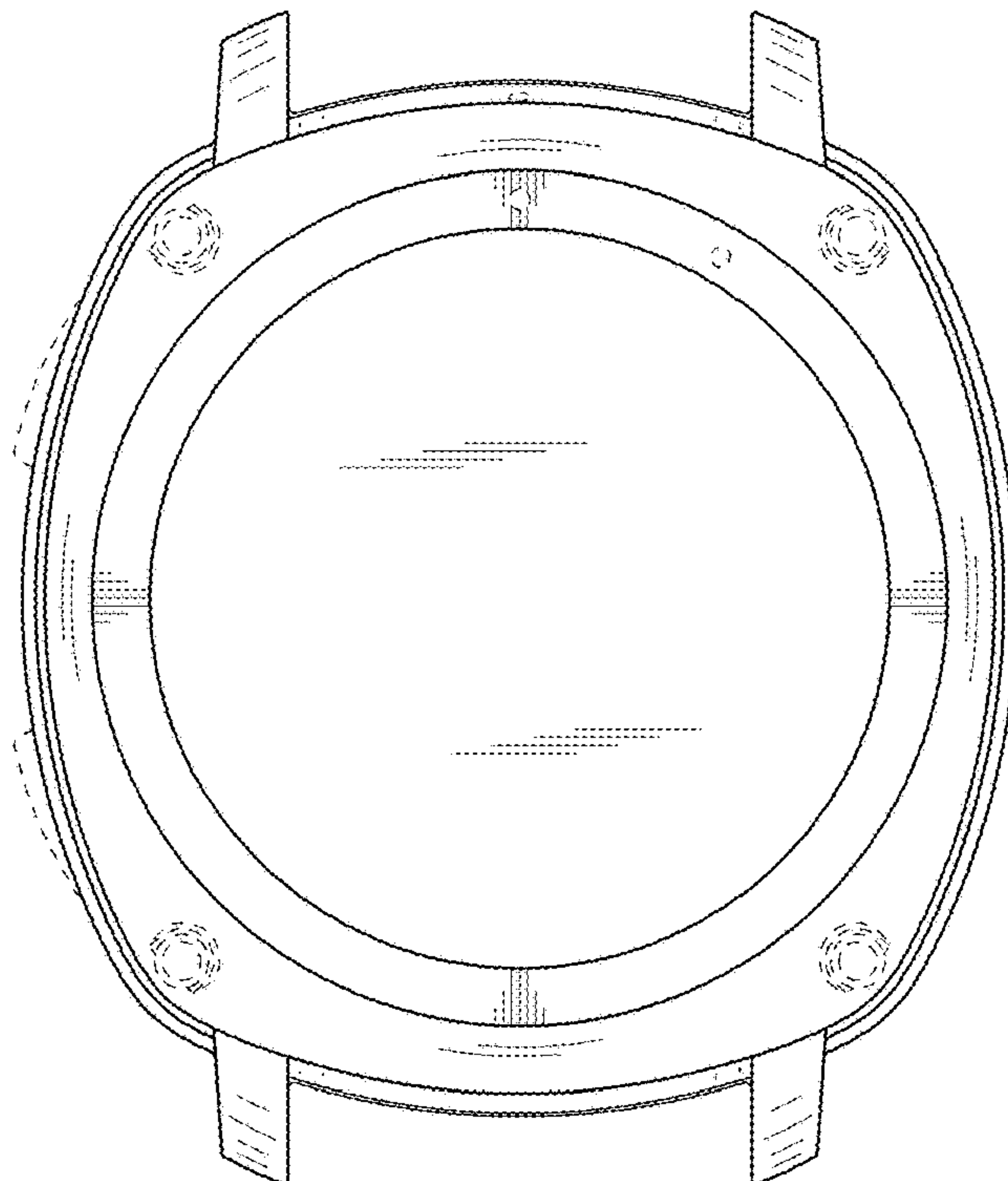


FIG.28

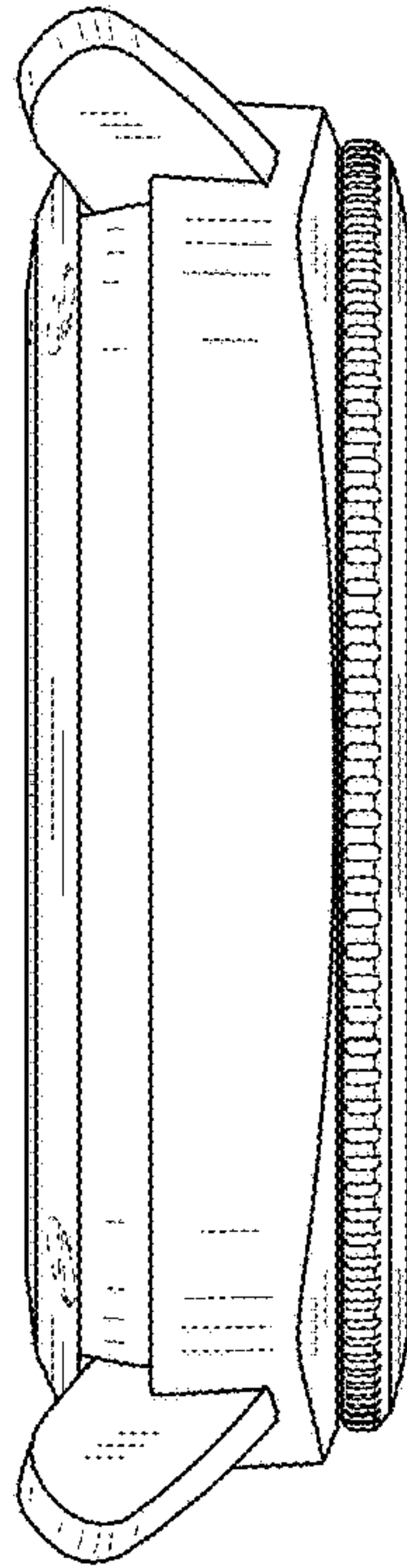


FIG.29

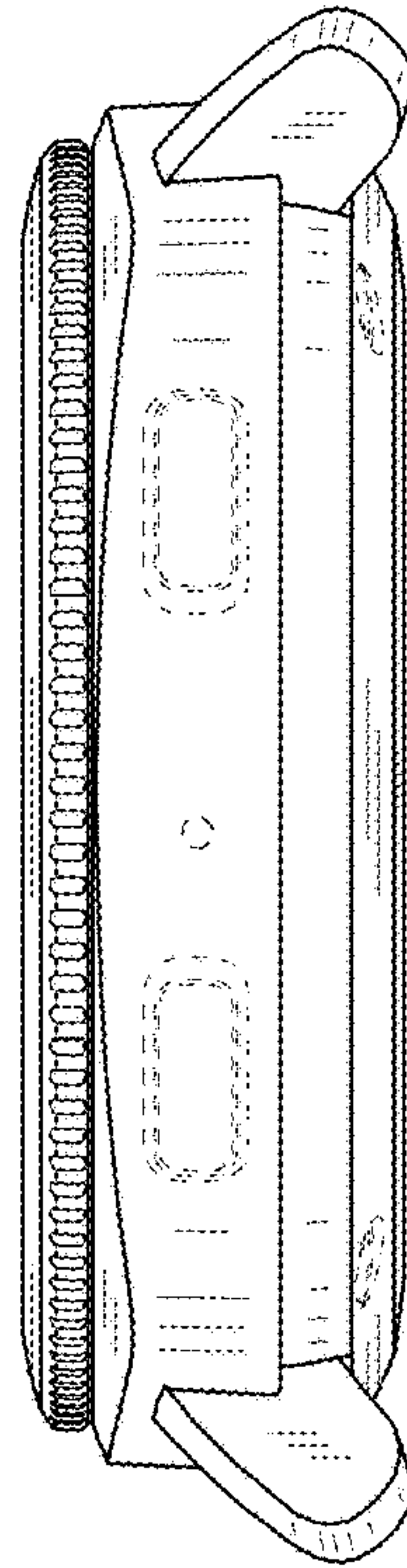


FIG.30

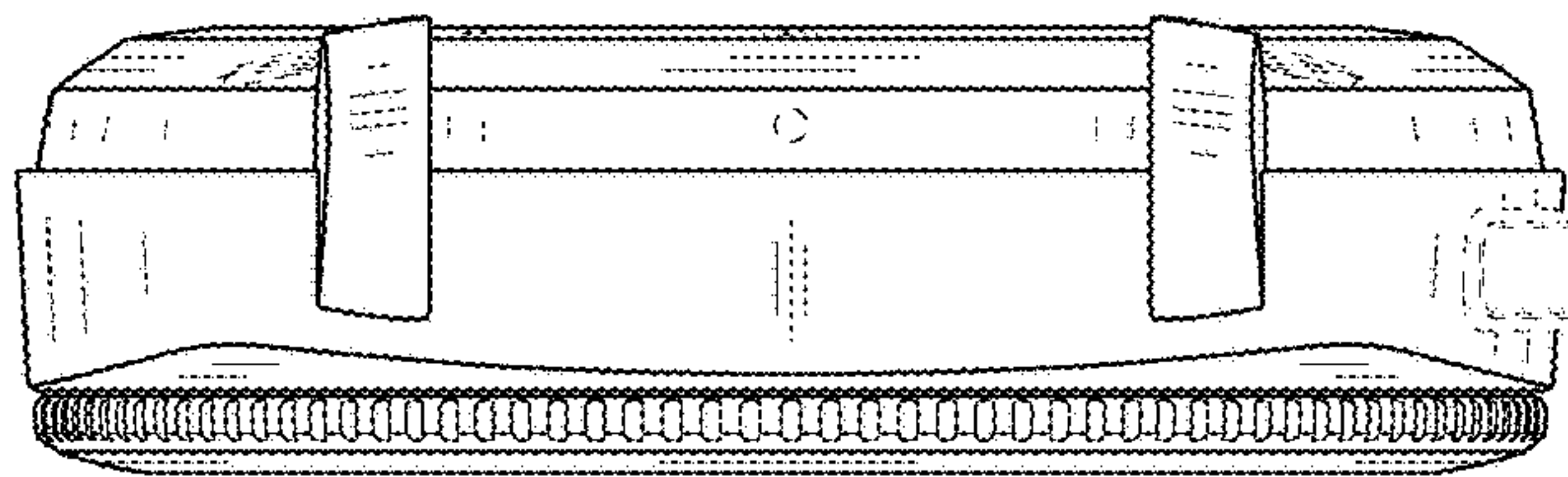


FIG.31

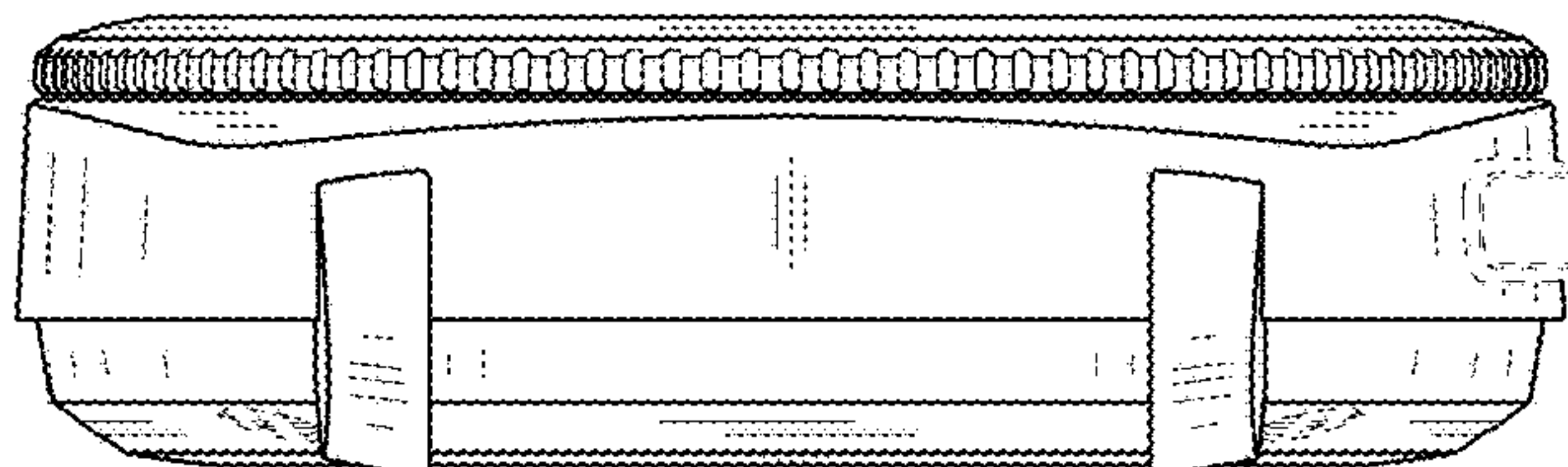


FIG.32

