



US00D905686S

(12) **United States Design Patent**
Zhang

(10) **Patent No.:** **US D905,686 S**

(45) **Date of Patent:** **** Dec. 22, 2020**

(54) **MOBILE PHONE STAND**

(71) Applicant: **Qinbing Zhang**, Shanghai (CN)

(72) Inventor: **Qinbing Zhang**, Shanghai (CN)

(73) Assignee: **Shanghai Xinxie Industrial Co., Ltd**,
Shanghai (CN)

(**) Term: **15 Years**

(21) Appl. No.: **29/700,025**

(22) Filed: **Jul. 30, 2019**

(51) **LOC (12) Cl.** **14-03**

(52) **U.S. Cl.**
USPC **D14/253**

(58) **Field of Classification Search**
USPC D14/251–253, 447, 452, 432–434, 440;
D12/415; D3/218; D8/349, 363
CPC H04M 1/02; H04M 1/04; B60R 11/02;
F16M 11/00; F16M 11/04; F16M 11/06;
F16M 13/02; F16M 13/00; H05K 7/00;
H05K 5/02; A47G 1/17
See application file for complete search history.

(56) **References Cited**

U.S. PATENT DOCUMENTS

D703,676 S * 4/2014 Smith D14/447
D720,343 S * 12/2014 Nichols D14/253

D772,812 S * 11/2016 Choe D13/108
D812,564 S * 3/2018 Feng D13/108
D816,027 S * 4/2018 Chen D13/108
D825,550 S * 8/2018 Wang D14/253
D839,869 S * 2/2019 Wang D14/253
D840,930 S * 2/2019 Lu D13/108
D840,997 S * 2/2019 Chen D14/253
D855,566 S * 8/2019 Chen D13/108
10,563,812 B2 * 2/2020 Chen G06F 1/1607
D884,711 S * 5/2020 Zhang D14/447
D886,051 S * 6/2020 Chen D13/108
2017/0223862 A1 * 8/2017 Justiss A47B 23/043

* cited by examiner

Primary Examiner — Janice Hallmark

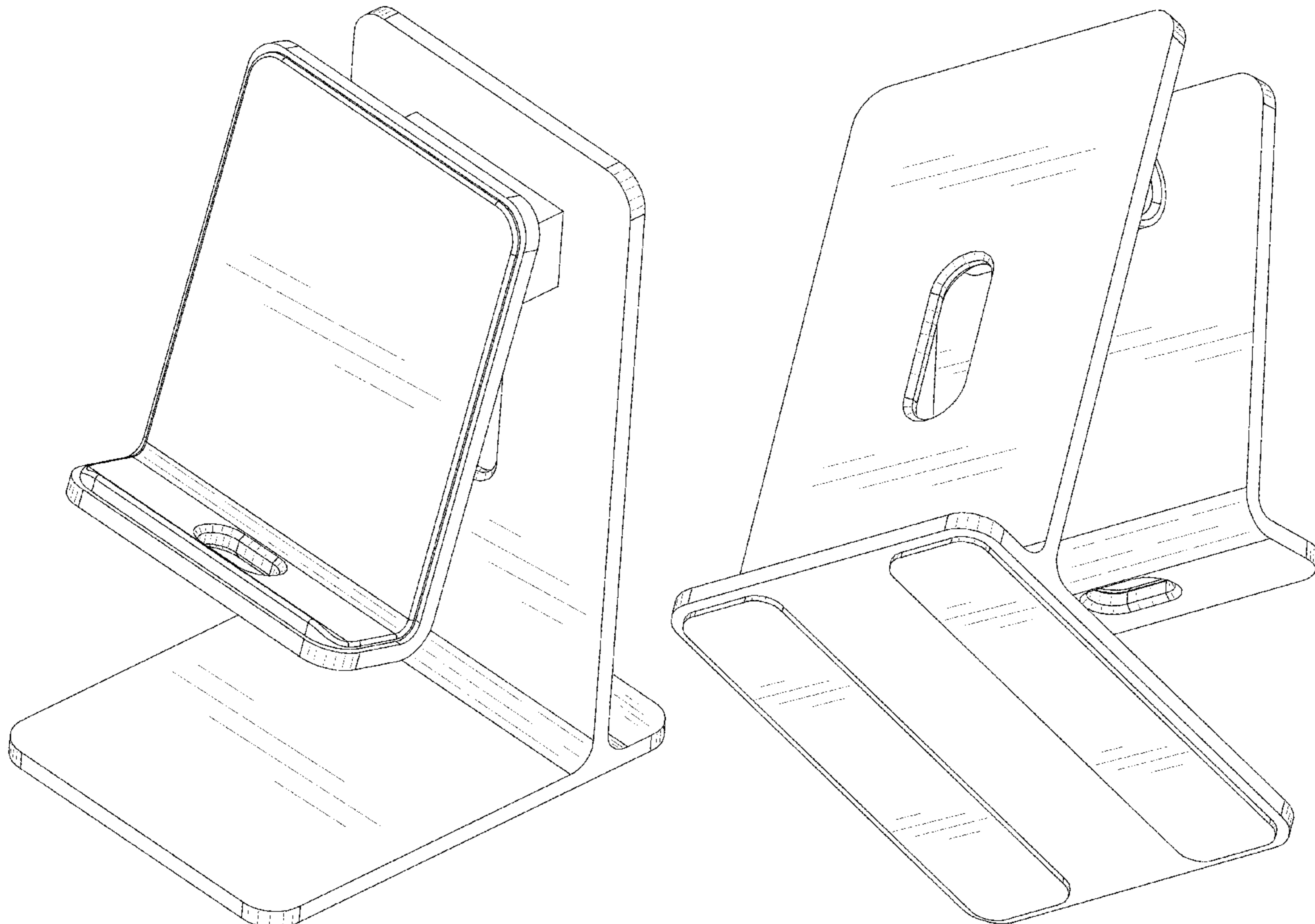
(57) **CLAIM**

The ornamental design for a mobile phone stand, as shown and described.

DESCRIPTION

FIG. 1 is a front, top perspective view of the mobile phone stand showing my new design;
FIG. 2 is a rear, bottom perspective view thereof;
FIG. 3 is a front elevational view thereof;
FIG. 4 is a rear elevational view thereof;
FIG. 5 is a left side elevational view thereof;
FIG. 6 is a right side elevational view thereof;
FIG. 7 is a top plan view thereof; and,
FIG. 8 is a bottom plan view thereof.

1 Claim, 8 Drawing Sheets



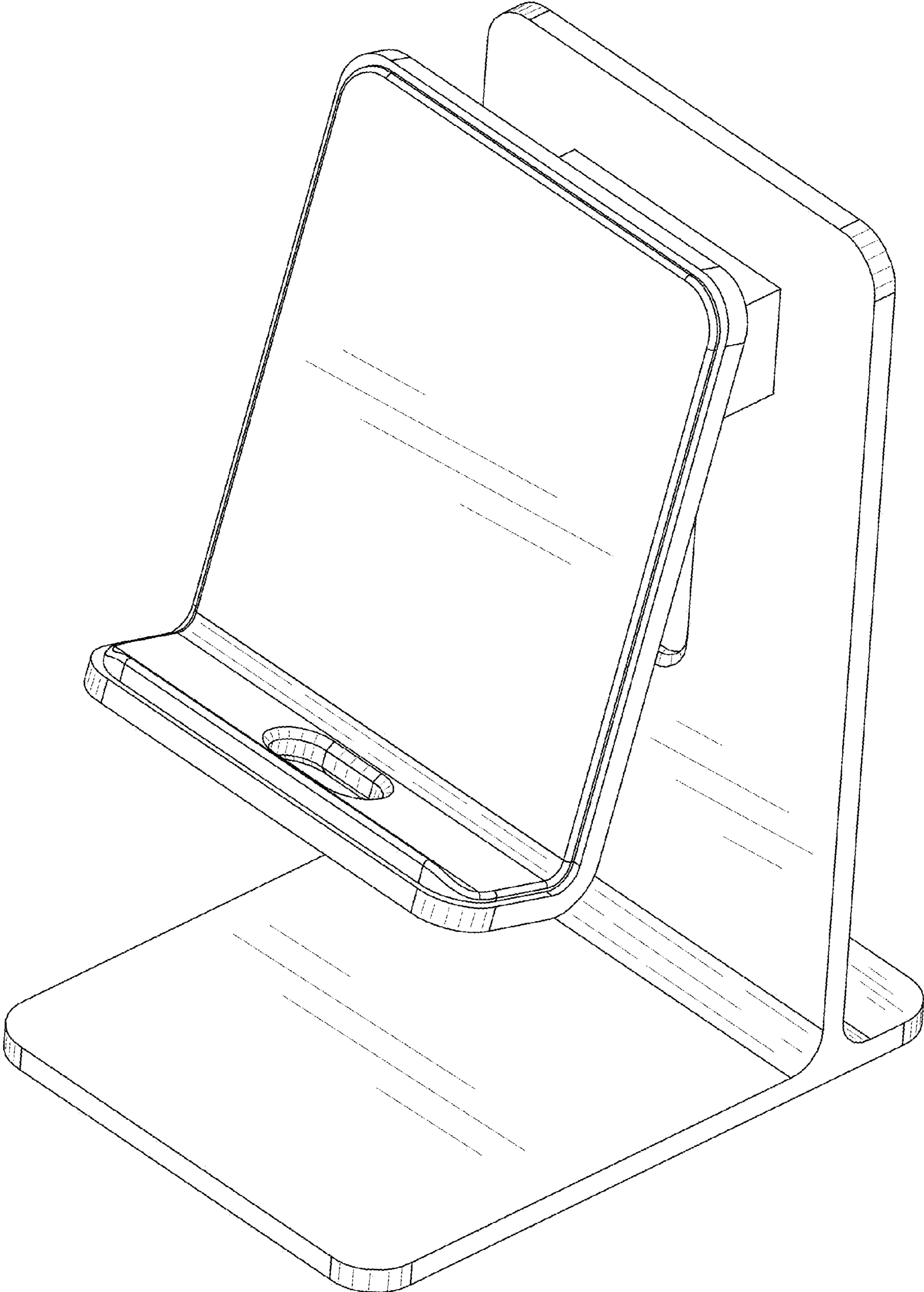


FIG. 1

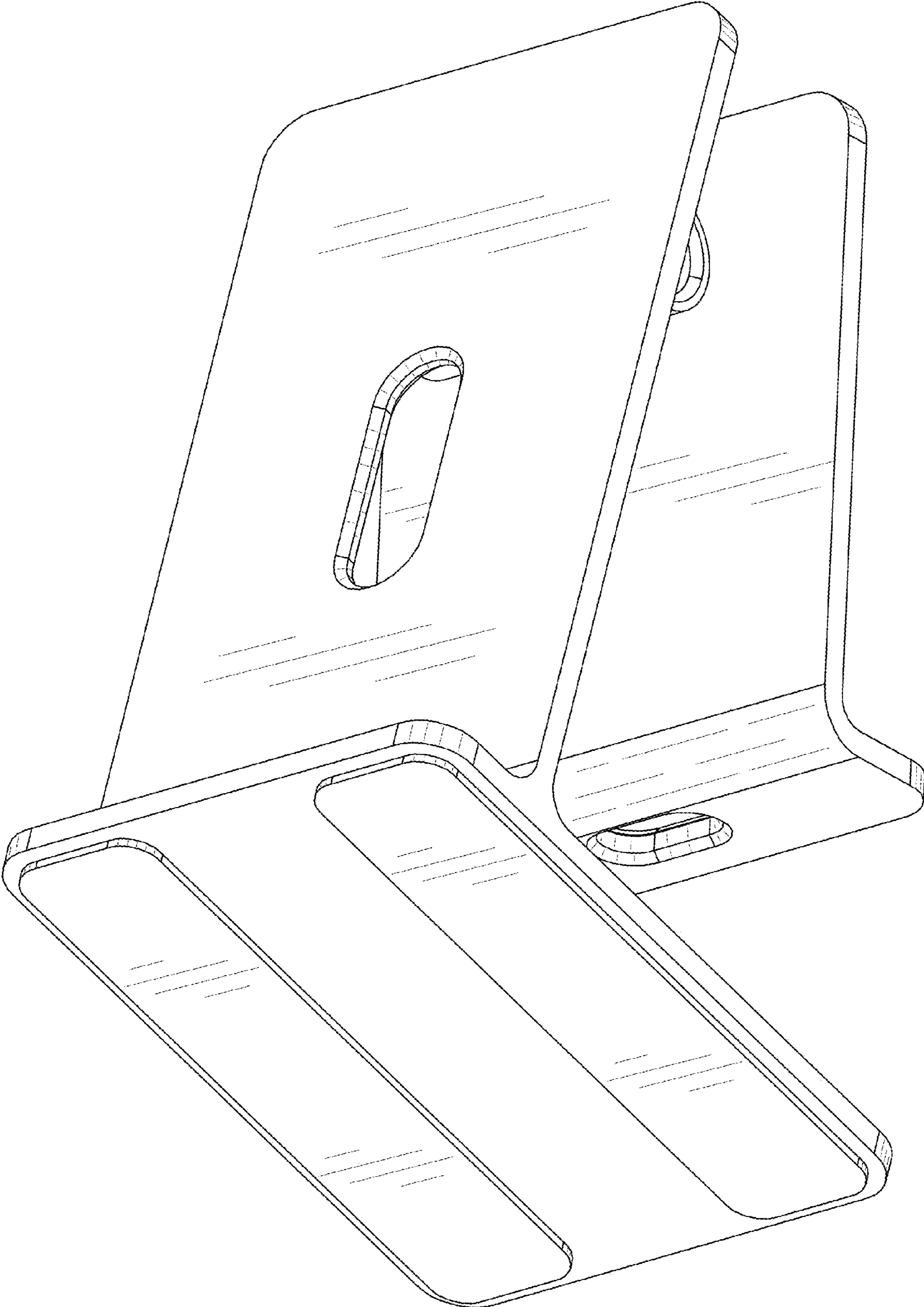


FIG. 2

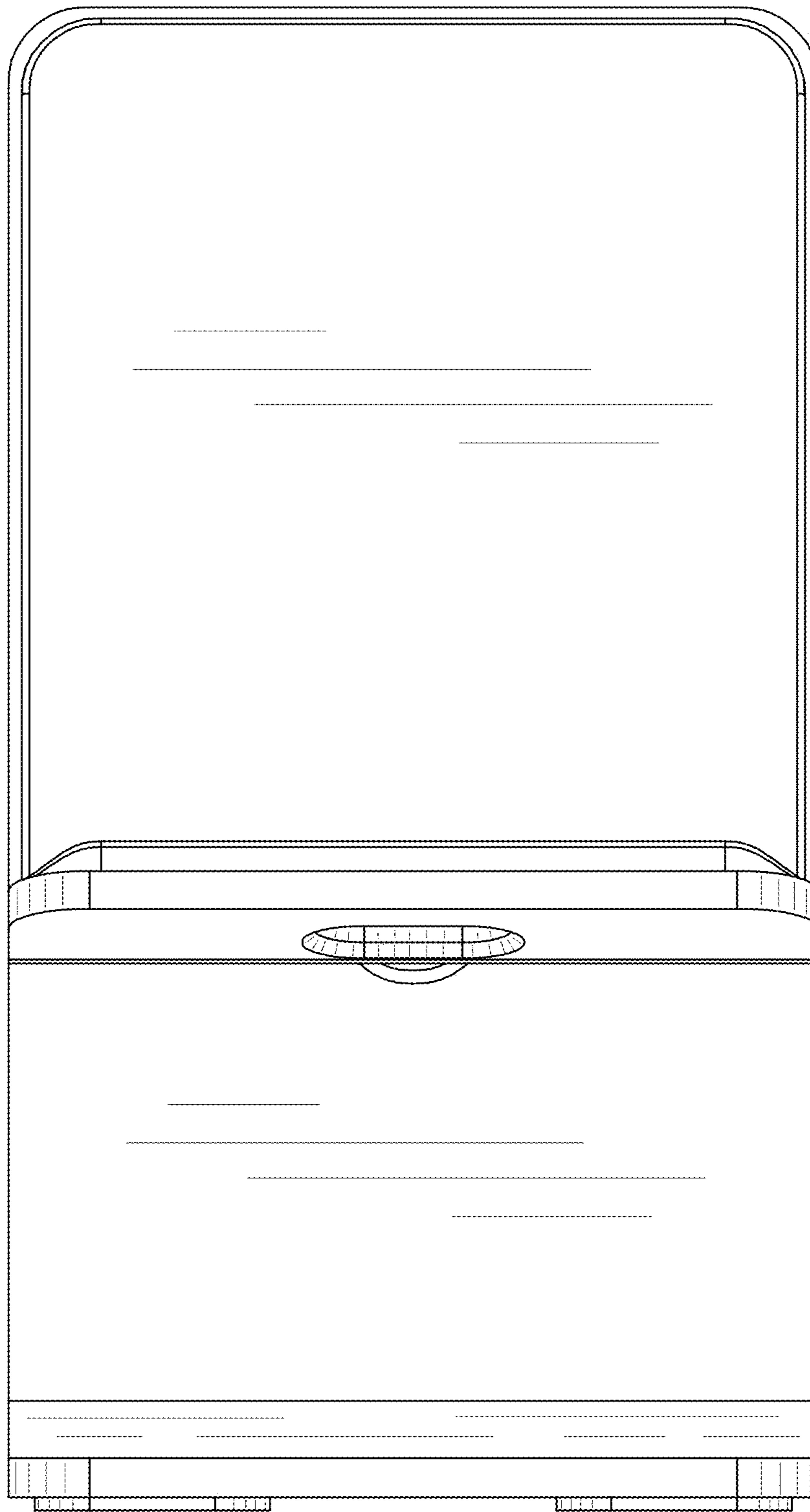


FIG. 3

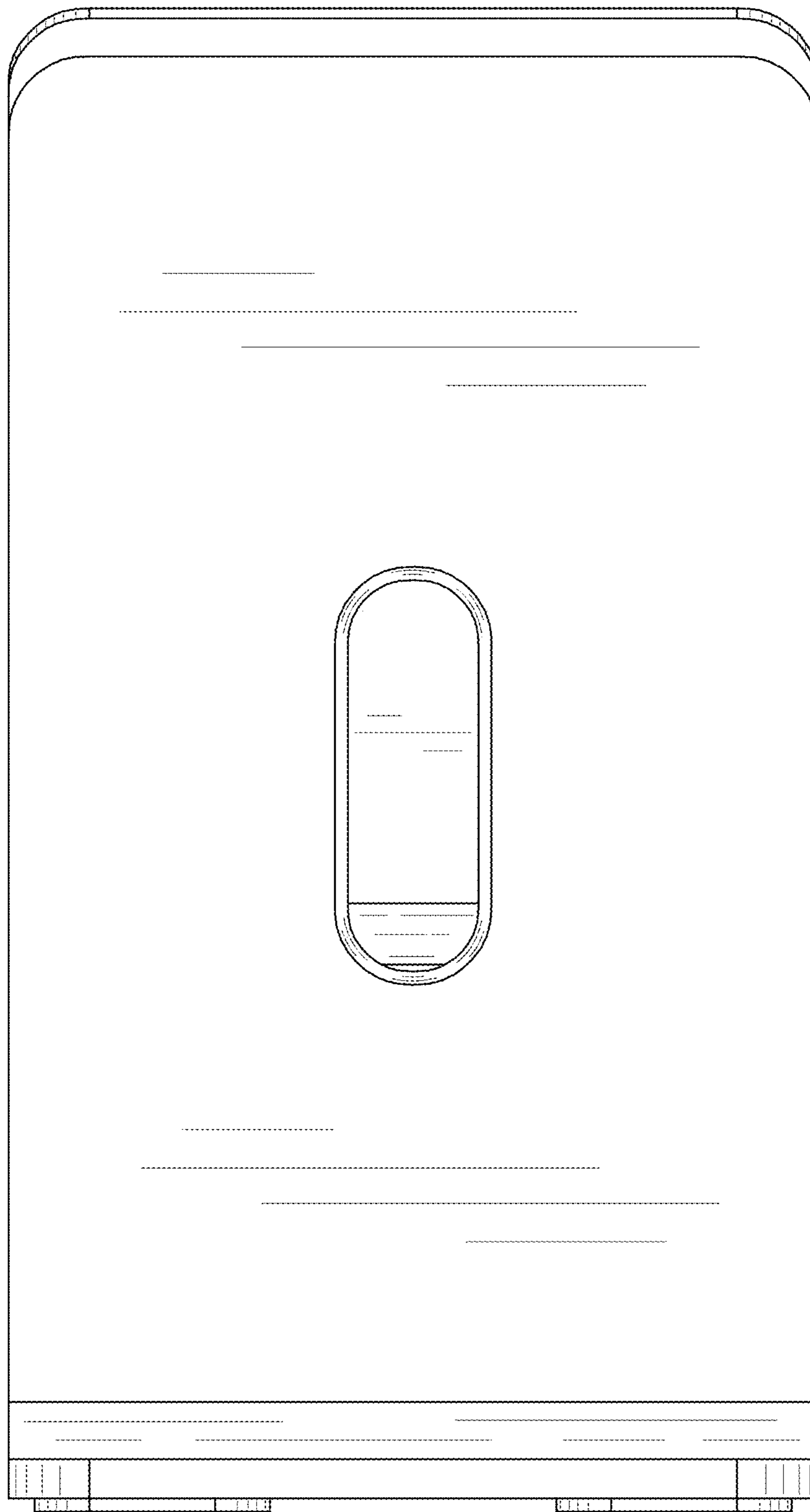


FIG. 4

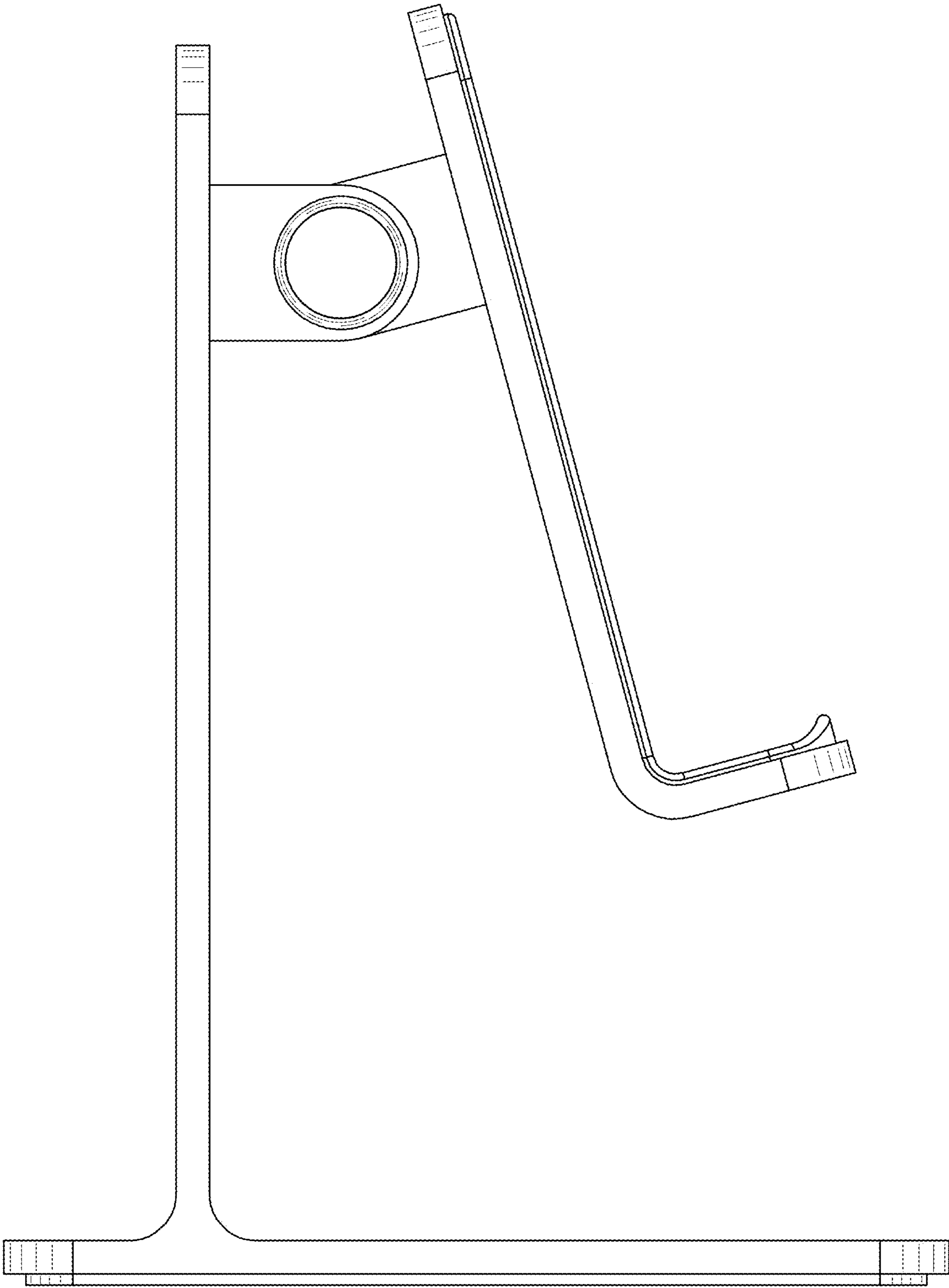


FIG. 5

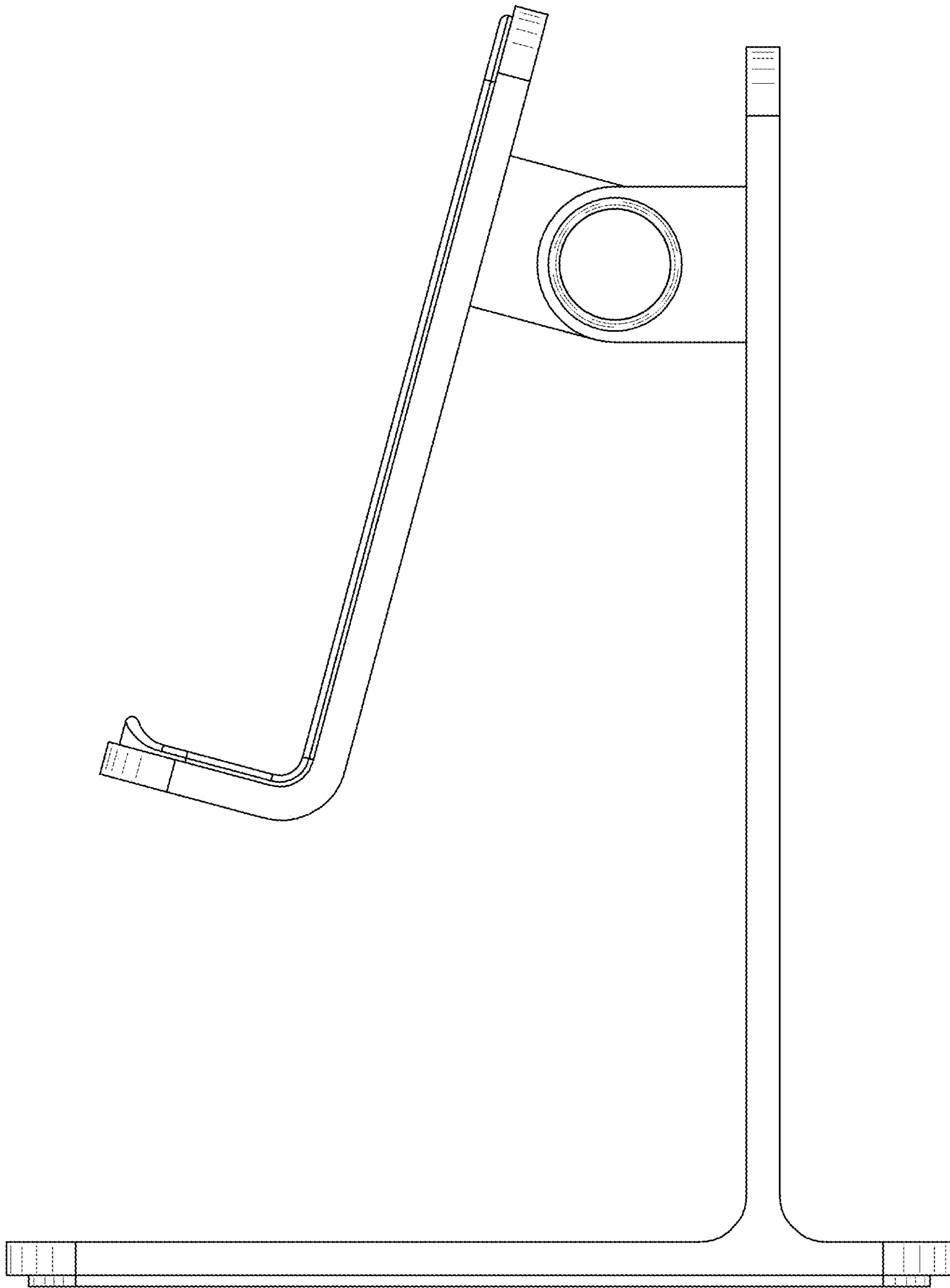


FIG. 6

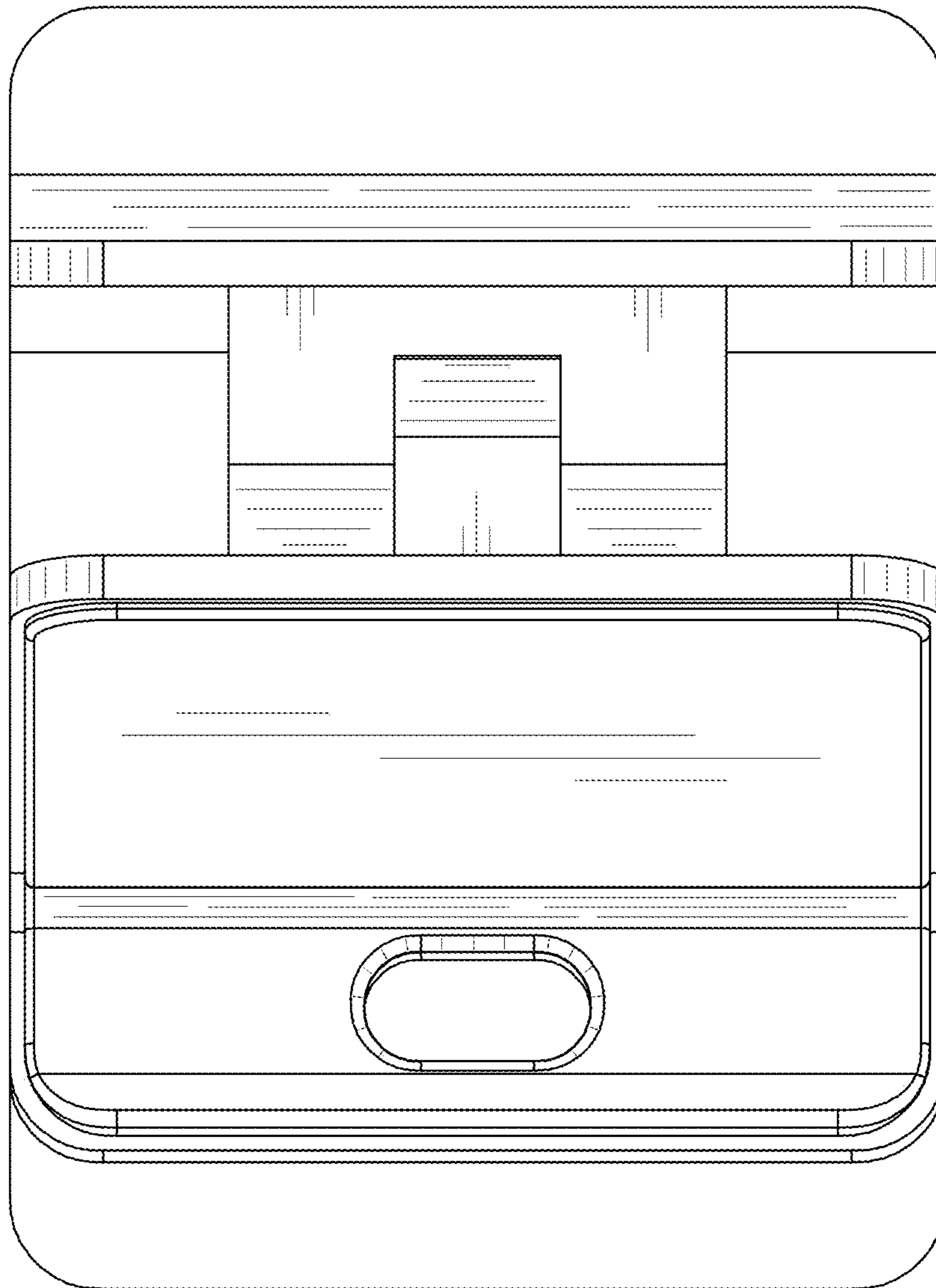


FIG. 7

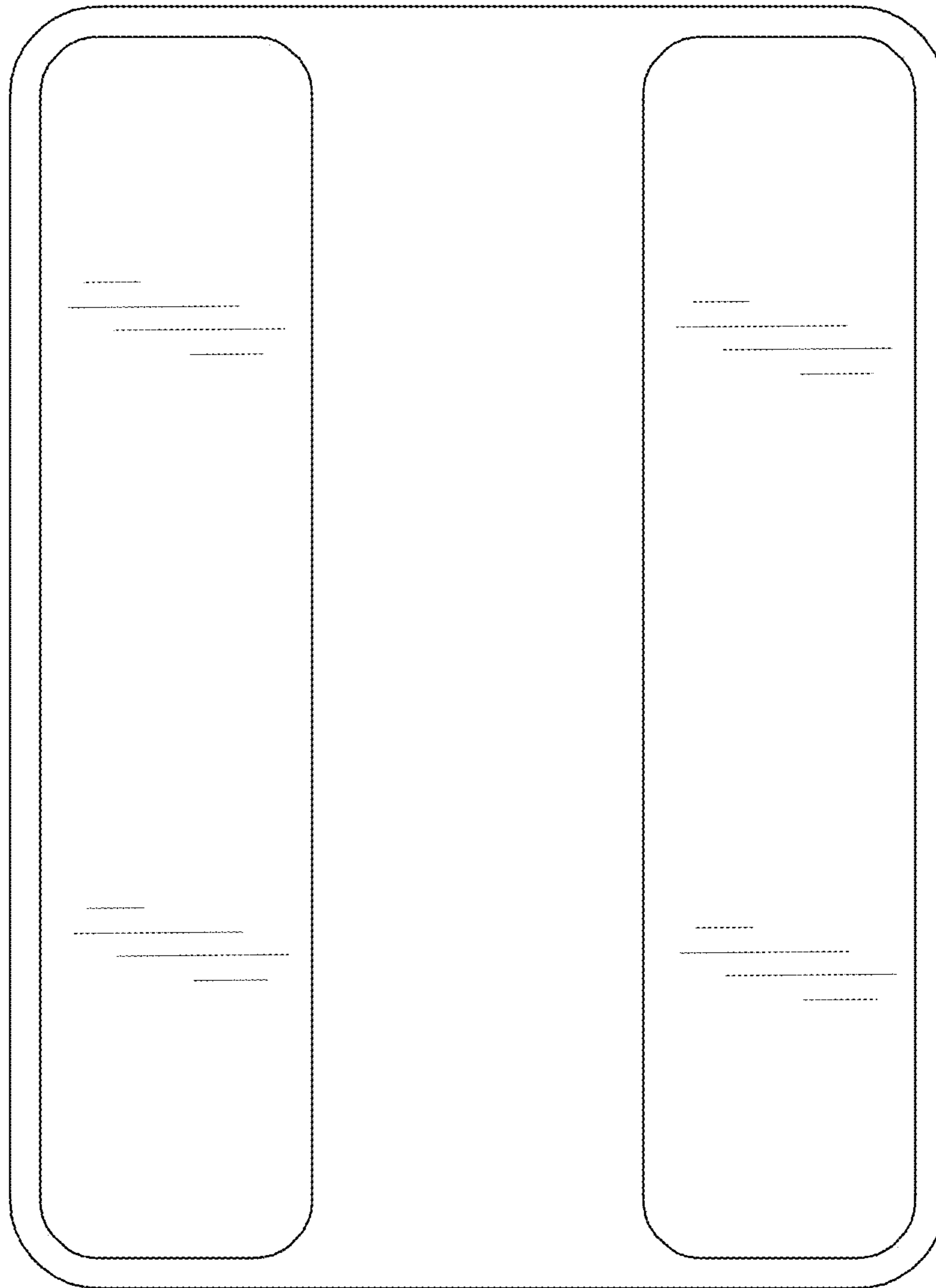


FIG. 8