



US00D905685S

(12) **United States Design Patent**
Moon

(10) **Patent No.:** **US D905,685 S**

(45) **Date of Patent:** **** Dec. 22, 2020**

- (54) **MOBILE DEVICE CASE WITH DEPLOYABLE PRIVACY SCREENS**
- (71) Applicant: **Sang-Ho Moon**, Rego Park, NY (US)
- (72) Inventor: **Sang-Ho Moon**, Rego Park, NY (US)
- (**) Term: **15 Years**
- (21) Appl. No.: **29/720,922**
- (22) Filed: **Jan. 16, 2020**

Related U.S. Application Data

- (63) Continuation-in-part of application No. 16/698,787, filed on Nov. 27, 2019.
- (51) **LOC (12) Cl.** **14-03**
- (52) **U.S. Cl.**
USPC **D14/250**
- (58) **Field of Classification Search**
USPC D14/203.3–203.7, 439, 251–253, 447, D14/217, 240, 248, 238.1, 250, 440; D13/103, 107–108, 119; D3/201, 218, D3/247, 249, 269, 273, 301, 303
CPC H04B 1/3888; H04M 1/0283; H04M 1/0202; A45C 1/06; A45C 11/00; A45C 13/02; A45C 2011/002; A45F 2005/026; A45F 2200/0525; A45F 2200/0516
See application file for complete search history.

(56) **References Cited**

U.S. PATENT DOCUMENTS

- 5,717,566 A * 2/1998 Tao G06F 1/1603 348/834
- 6,046,754 A * 4/2000 Stanek G06F 1/1603 345/169
- D574,819 S * 8/2008 Andre D3/269
- D575,056 S * 8/2008 Tan D3/201
- 7,553,034 B1 * 6/2009 Liou G06F 1/1603 359/601

- D622,716 S * 8/2010 Andre D14/250
- D638,829 S 5/2011 Melanson et al.
- D647,518 S 10/2011 Fathollahi
- D673,554 S * 1/2013 Simmer D14/250
- 8,727,546 B2 * 5/2014 Trinh B60K 35/00 359/601
- 8,781,109 B2 * 7/2014 Hong H04B 1/3888 379/441
- D743,389 S * 11/2015 Akana D14/250
- D755,764 S 5/2016 Dong
- D756,340 S 5/2016 Babichenko
- D776,100 S * 1/2017 Igarashi D14/250
- D790,551 S * 6/2017 Hoejlund-Hansen D14/440
- D793,377 S * 8/2017 Vinci D14/250
- 9,742,457 B2 * 8/2017 Tymus H04B 1/3888

(Continued)

FOREIGN PATENT DOCUMENTS

- WO WO 2013/019937 2/2013
- WO WO 2014/036570 6/2014

Primary Examiner — Carla J Wright

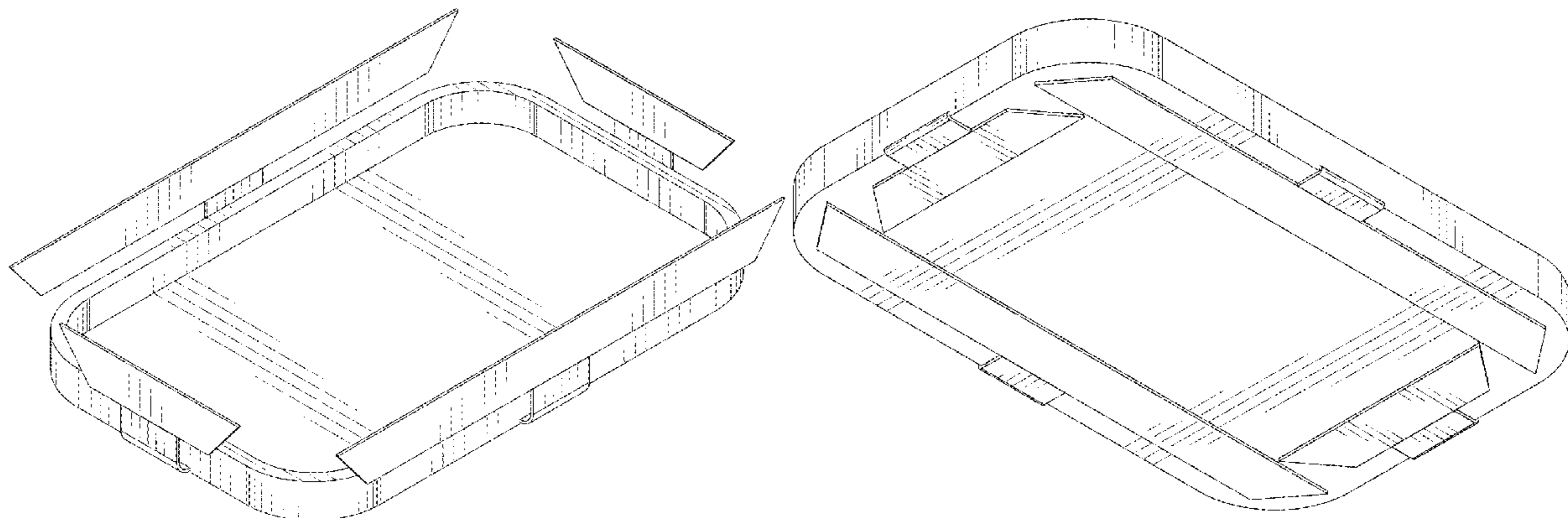
(57) **CLAIM**

The ornamental design for a mobile device case with deployable privacy screens, as shown and described.

DESCRIPTION

FIG. 1 is a top perspective view of a mobile device case with deployable privacy screens showing my new design with the privacy screens in a deployed position;
 FIG. 2 is a front elevational view thereof;
 FIG. 3 is a rear elevational view thereof;
 FIG. 4 is a left side elevational view thereof;
 FIG. 5 is a right side elevational view thereof;
 FIG. 6 is a top plan view thereof;
 FIG. 7 is a bottom plan view thereof;
 FIG. 8 is a top perspective view thereof showing the privacy screens in a stored position; and,
 FIG. 9 is a bottom perspective view thereof.

1 Claim, 9 Drawing Sheets



(56)

References Cited

U.S. PATENT DOCUMENTS

9,806,756 B1 * 10/2017 Jacobs H04M 1/185
D807,869 S * 1/2018 Petersen D14/250
D851,697 S * 6/2019 Qiu D18/4.6
D862,446 S 10/2019 Jia et al.
D868,052 S 11/2019 Jia et al.
D880,466 S * 4/2020 Hyll D14/250
2009/0275366 A1 * 11/2009 Schilling G06F 1/1654
455/566
2014/0375901 A1 * 12/2014 Stockett H04N 5/64
348/838
2015/0124328 A1 * 5/2015 Dorros G06F 1/1603
359/609
2015/0381785 A1 * 12/2015 Gander A45F 5/00
455/575.1
2016/0227663 A1 * 8/2016 Holmes A45C 11/00
2019/0097669 A1 * 3/2019 Zaccaria H04M 1/0266

* cited by examiner

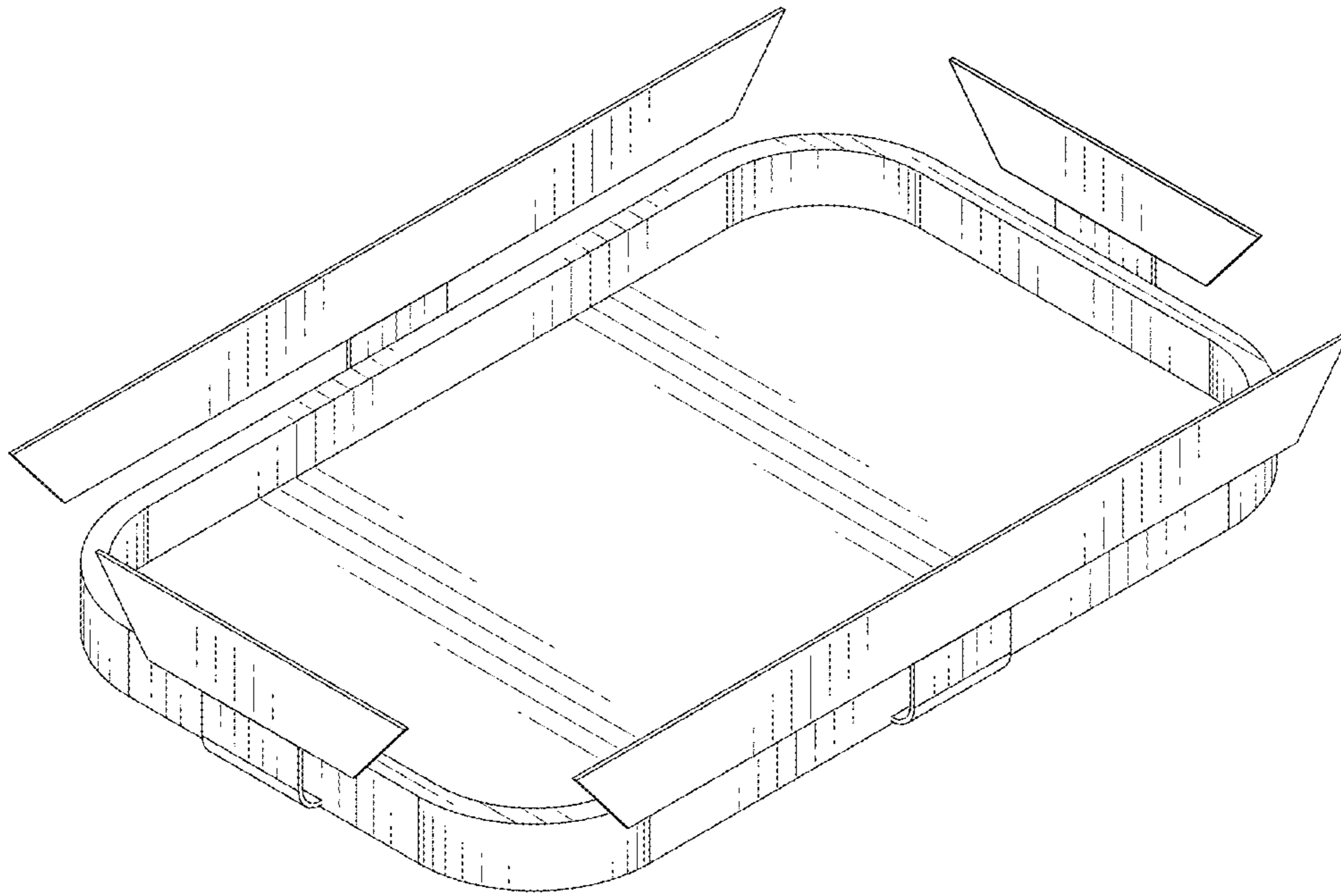


FIG. 1

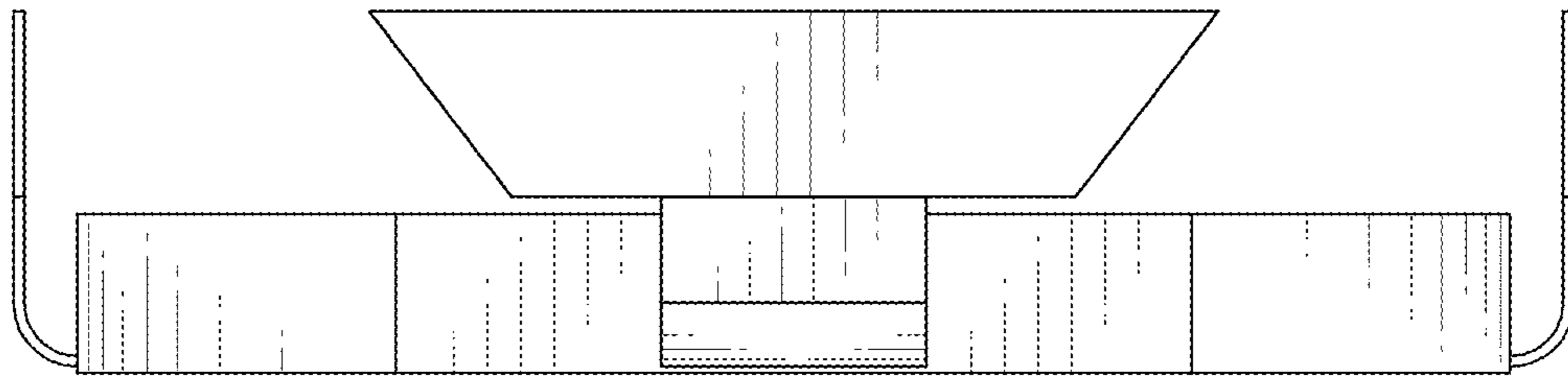


FIG. 2

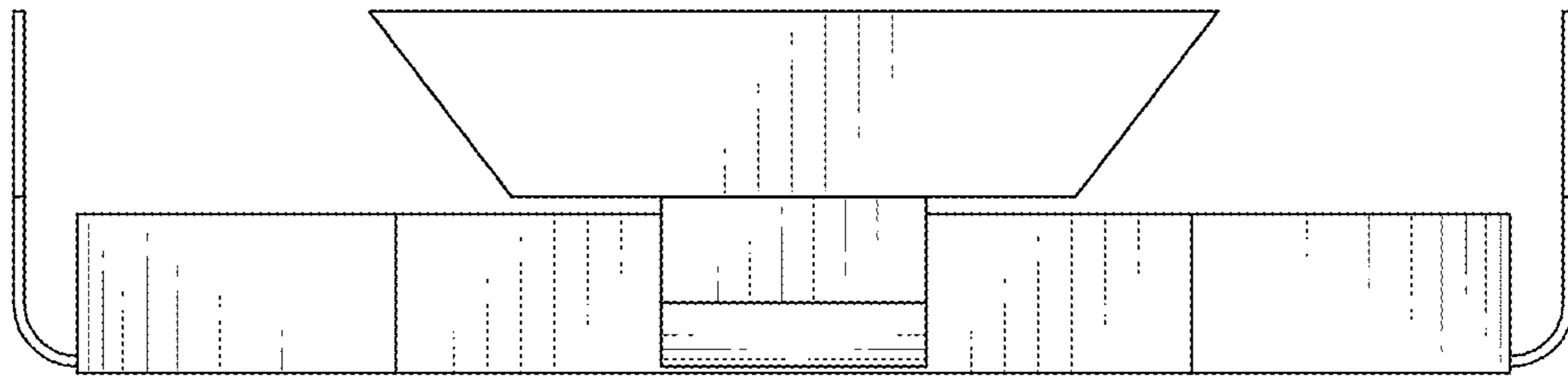


FIG. 3

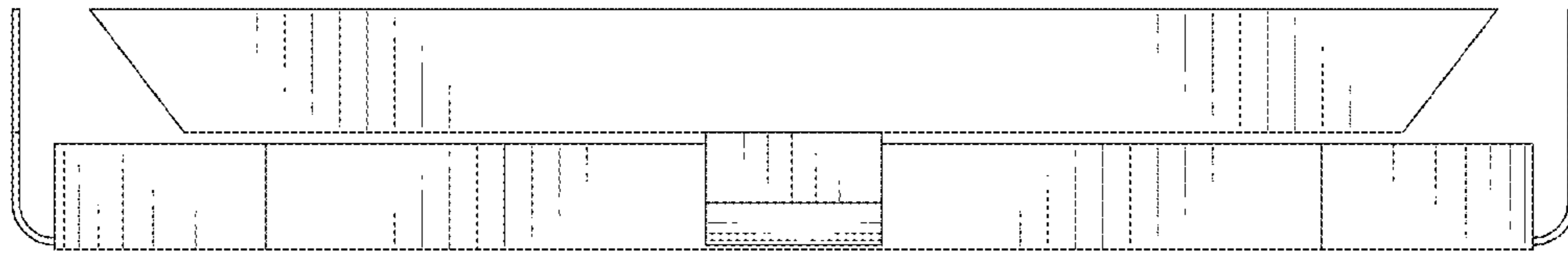


FIG. 4

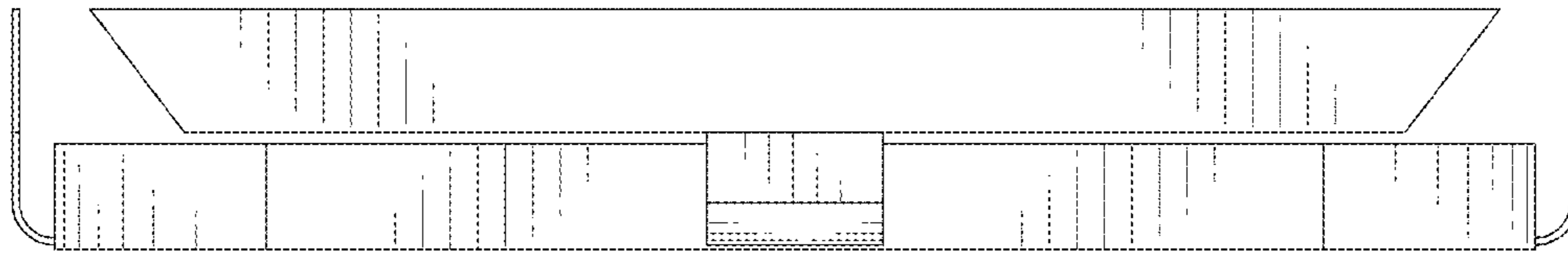


FIG. 5

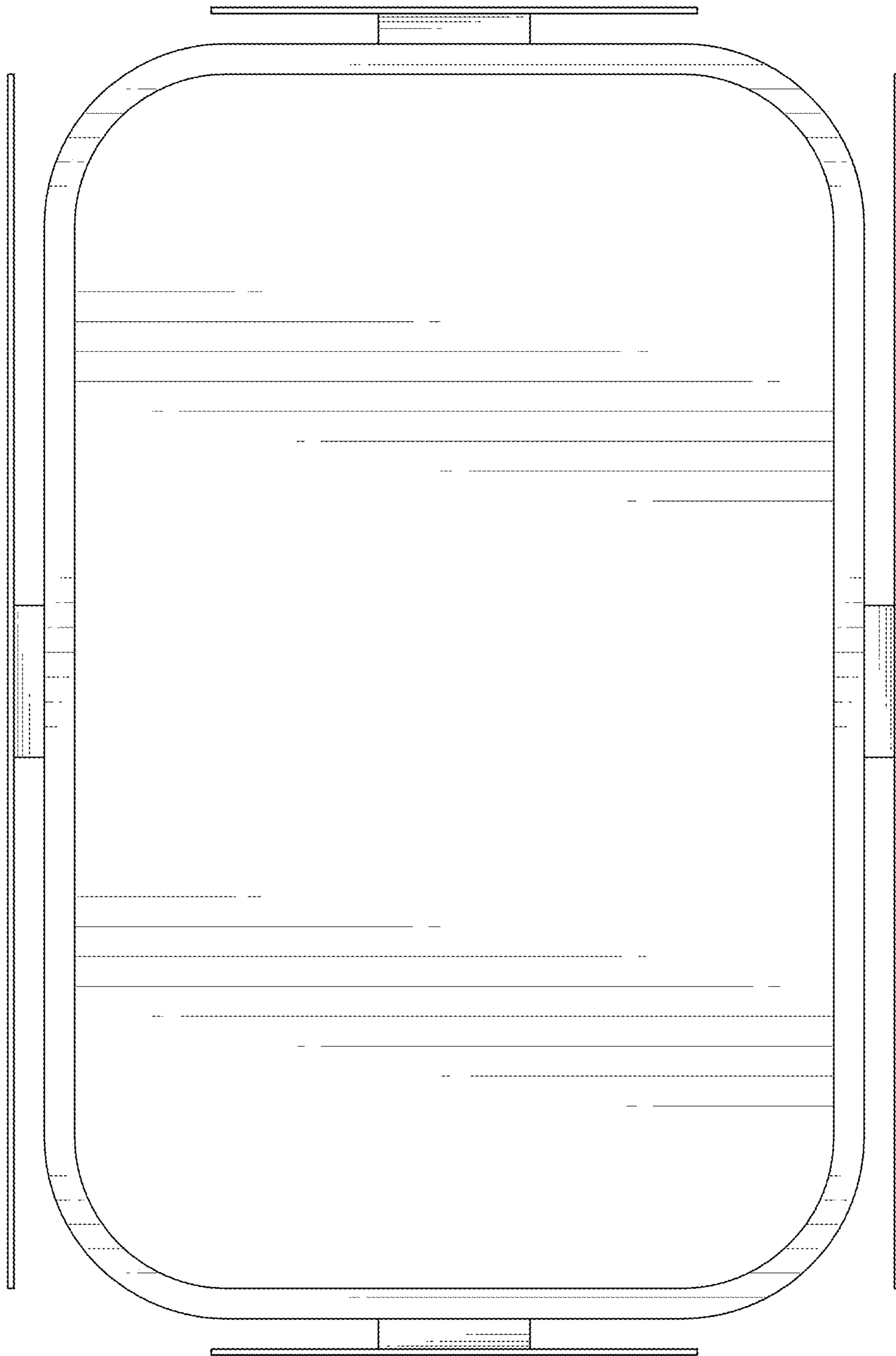


FIG. 6

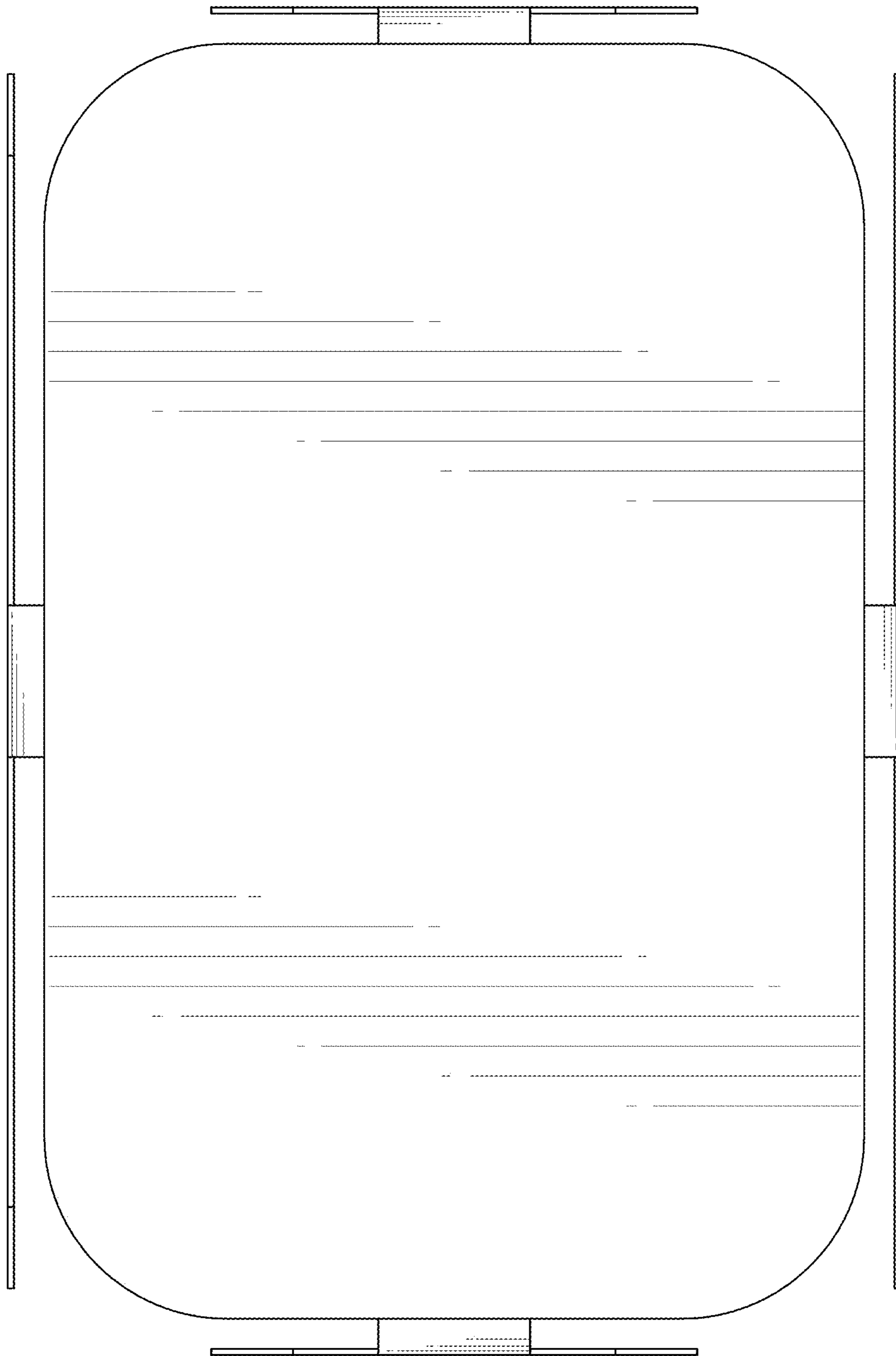


FIG. 7

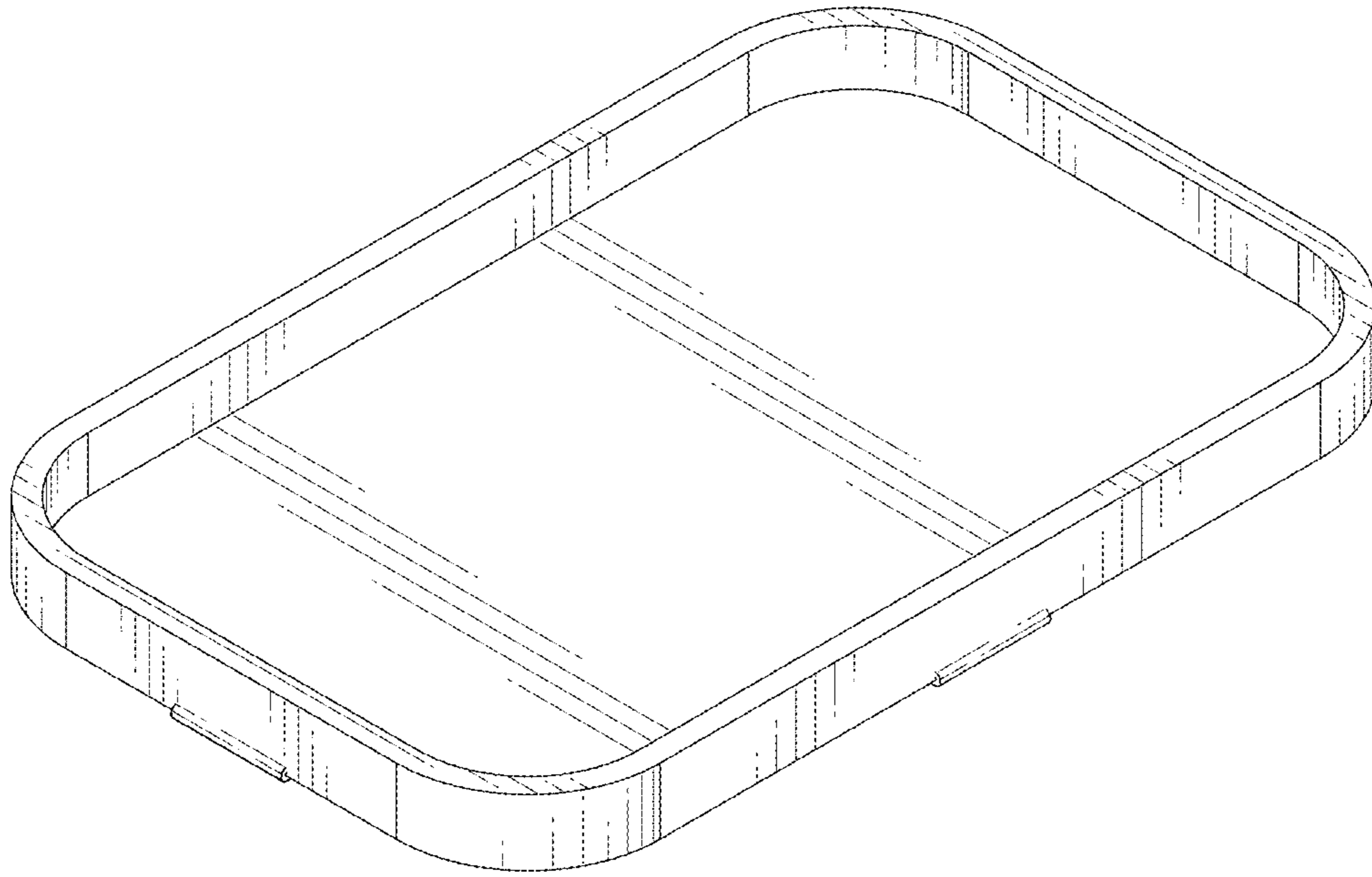


FIG. 8

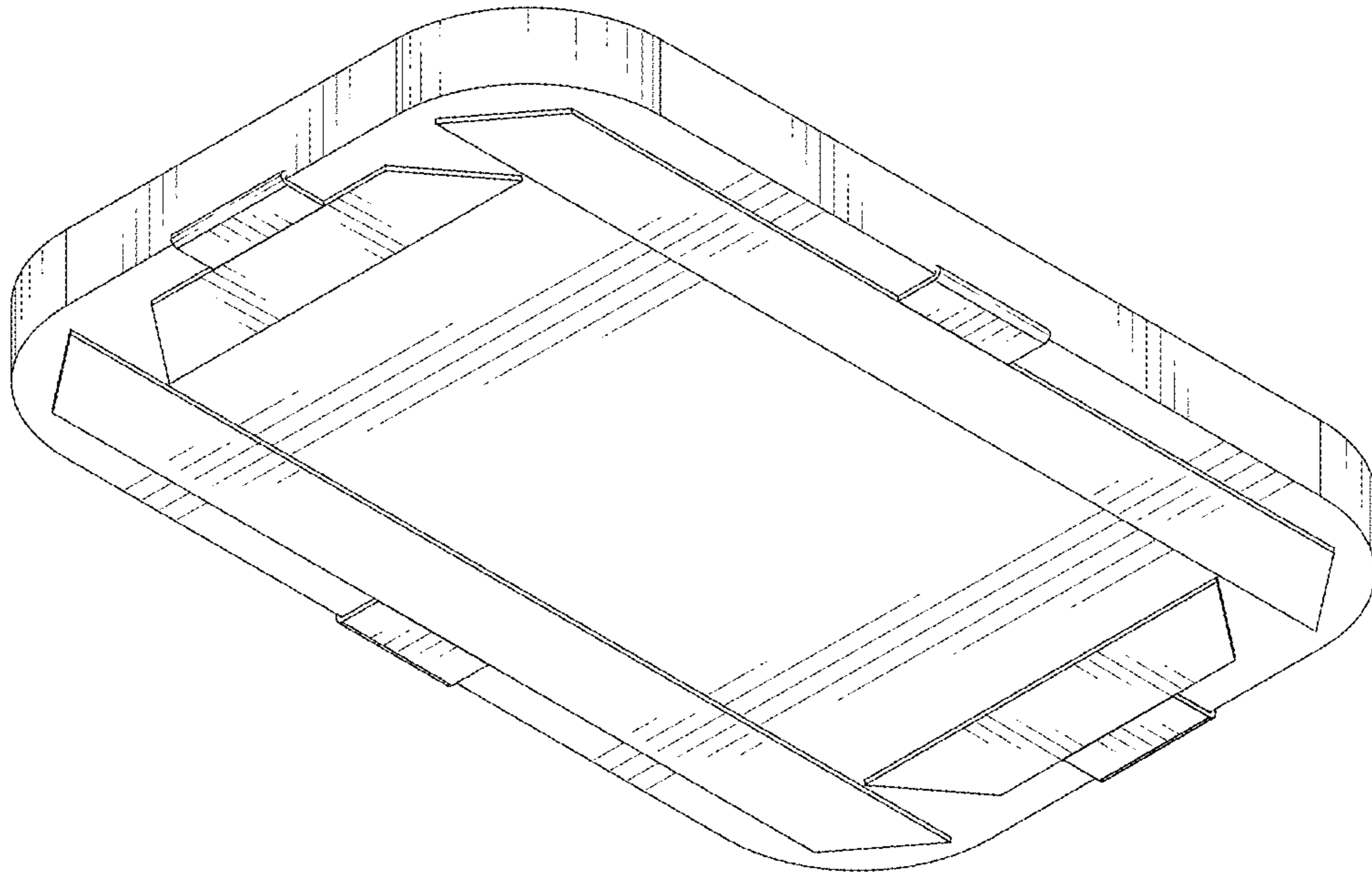


FIG. 9