



US00D905684S

(12) **United States Design Patent** (10) **Patent No.:** **US D905,684 S**
Kim (45) **Date of Patent:** **** *Dec. 22, 2020**

(54) **CASE FOR ELECTRONIC COMMUNICATIONS DEVICE**

(74) *Attorney, Agent, or Firm* — Heedong Chae; Lucem, PC

(71) Applicant: **SPIGEN KOREA CO., LTD.**, Seoul (KR)

(57) **CLAIM**

The ornamental design for a case for electronic communications device, as shown and described.

(72) Inventor: **Ji-Hyun Kim**, Seoul (KR)

(73) Assignee: **SPIGEN KOREA CO., LTD.**, Seoul (KR)

DESCRIPTION

(*) Notice: This patent is subject to a terminal disclaimer.

FIG. 1 is a front perspective view of a case for electronic communications device showing my new design; FIG. 2 is a rear perspective view thereof; FIG. 3 is a front elevational view thereof; FIG. 4 is a rear elevational view thereof; FIG. 5 is a left side elevational view thereof; FIG. 6 is a right side elevational view thereof; FIG. 7 is a top plan view thereof; FIG. 8 is a bottom plan view thereof; FIG. 9 is a front perspective view showing the inner shell component of the case in isolation; FIG. 10 is a rear perspective view showing the inner shell component of the case in isolation; FIG. 11 is a front perspective view showing the outer frame component of the case in isolation; FIG. 12 is a rear perspective view showing the outer frame component of the case in isolation; FIG. 13 is a front perspective view showing the kickstand component of the case in isolation; FIG. 14 is a rear perspective view showing the kickstand component of the case in isolation; FIG. 15 is an exploded front perspective view showing the components of the case separated for clarity of disclosure; and, FIG. 16 is an exploded rear perspective view showing the components of the case separated for clarity of disclosure. Although the case for electronic communications device in which the claimed design is embodied has an inner shell, an outer frame, and a kickstand component, the claim is directed to the ornamental appearance of the case in its entirety and does not extend to the ornamental appearance of each of the individual components in isolation.

(**) Term: **15 Years**

(21) Appl. No.: **29/703,469**

(22) Filed: **Aug. 27, 2019**

(51) **LOC (12) Cl.** **14-03**

(52) **U.S. Cl.**
USPC **D14/250**

(58) **Field of Classification Search**
USPC D3/201, 218, 226, 227, 247, 249, 250, D3/269, 303; D13/103, 107, 108, 119;
(Continued)

(56) **References Cited**

U.S. PATENT DOCUMENTS

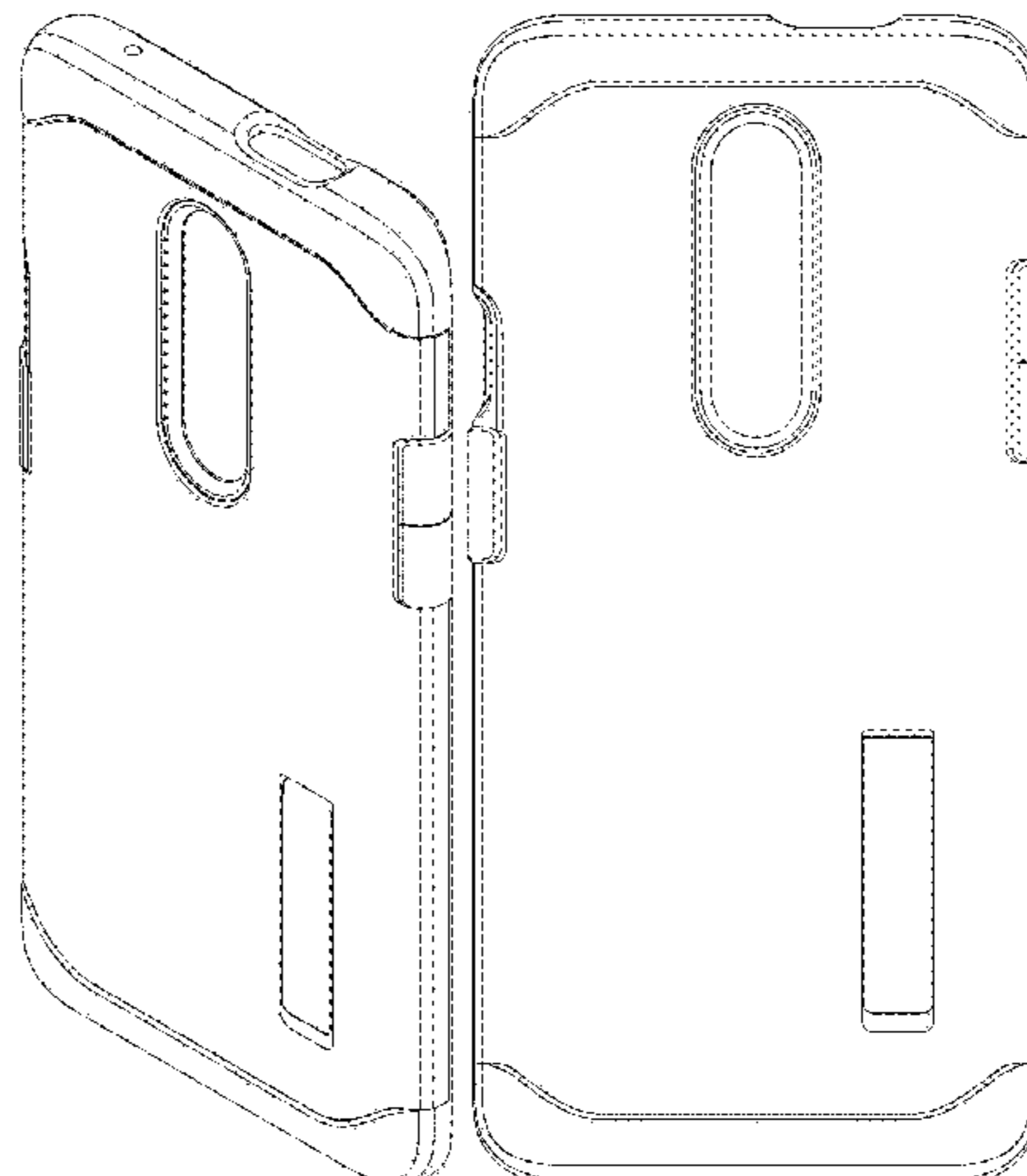
D619,361 S 7/2010 Andre
D637,589 S 5/2011 Willes et al.
(Continued)

OTHER PUBLICATIONS

Spigen Tough Armor for Samsung Galaxy S9 Plus, publication date Jun. 10, 2018, [online][site visited Jan. 16, 2020] URL: <https://www.amazon.com/Spigen-Reinforced-Kickstand-Protection-Technology/dp/B078B69W6S> (Year: 2018).
(Continued)

Primary Examiner — Susan E Krakower
Assistant Examiner — L. A. Grabenstetter

1 Claim, 16 Drawing Sheets



(58) **Field of Classification Search**

USPC D14/137, 138 R, 138 AA, 138 C, 138 G,
D14/172, 192, 203.3–203.7, 217, 238.1,
D14/247, 248, 250–253, 434, 440, 447,
D14/496
CPC H04B 1/3888; H04M 1/0283; H04M
1/0202; A45C 1/06; A45C 2011/002;
A45C 11/00; A45F 2005/028; A45F
2200/0525

See application file for complete search history.

(56) **References Cited**

U.S. PATENT DOCUMENTS

| | | | |
|------------|-----------|--------------------|---------|
| D646,265 S | 10/2011 | Fathollahi | |
| D650,371 S | 12/2011 | Wibby | |
| D655,281 S | 3/2012 | Turocy | |
| D663,263 S | * 7/2012 | Gupta | D13/103 |
| D673,547 S | 1/2013 | Melanson et al. | |
| D681,615 S | 5/2013 | Fathollahi | |
| D686,199 S | * 7/2013 | Fahrendorff | D14/250 |
| D689,852 S | * 9/2013 | Azoulay | D14/250 |
| D703,646 S | 4/2014 | Fathollahi | |
| D706,254 S | 6/2014 | Chang | |
| D718,757 S | 12/2014 | Jaffee | |
| D718,758 S | 12/2014 | Jaffee | |
| D721,360 S | 1/2015 | Laffon de Mazieres | |
| D721,694 S | 1/2015 | Lee et al. | |
| D739,394 S | 9/2015 | Rayner et al. | |
| D746,273 S | 12/2015 | Herbst | |
| D746,275 S | 12/2015 | Mohammad | |
| D749,535 S | 2/2016 | Joung | |
| D753,099 S | 4/2016 | Kim | |
| D763,841 S | 8/2016 | Kim | |
| D765,628 S | 9/2016 | Watt et al. | |
| D765,634 S | 9/2016 | McCray et al. | |
| D765,638 S | 9/2016 | Gaylord et al. | |
| D765,640 S | 9/2016 | Bulkley et al. | |
| D765,645 S | 9/2016 | Kim | |
| D771,028 S | 11/2016 | Kim | |
| D771,608 S | 11/2016 | Kim | |
| D772,209 S | 11/2016 | Kim | |
| D775,112 S | * 12/2016 | Hemesath | D14/250 |
| D776,104 S | 1/2017 | Tien | |
| D776,649 S | 1/2017 | Kim | |
| D777,155 S | 1/2017 | Kim | |
| D777,156 S | 1/2017 | Kim | |
| D777,160 S | 1/2017 | Kim | |
| D777,716 S | 1/2017 | Kim | |
| D777,717 S | 1/2017 | Kim | |
| D778,897 S | 2/2017 | Kim | |
| D778,898 S | 2/2017 | Kim | |
| D780,164 S | 2/2017 | Lee | |
| D780,166 S | 2/2017 | Lin | |
| D780,167 S | 2/2017 | Tien | |
| D786,233 S | 5/2017 | Kim | |
| D786,851 S | 5/2017 | Kim | |
| D786,852 S | 5/2017 | Kim | |
| D786,854 S | 5/2017 | Kim | |
| D787,491 S | 5/2017 | Kim | |
| D787,492 S | 5/2017 | Kim | |
| D788,090 S | 5/2017 | Kim | |
| D788,757 S | 6/2017 | Kim | |
| D789,344 S | 6/2017 | Kim | |
| D791,755 S | 7/2017 | Kim | |
| D792,394 S | 7/2017 | Lee et al. | |
| D797,094 S | 9/2017 | Kim | |
| D798,284 S | 9/2017 | Kim | |
| D800,713 S | 10/2017 | Kim | |
| D803,206 S | 11/2017 | Kim | |
| D806,063 S | 12/2017 | Kim | |
| D813,854 S | 3/2018 | Lee et al. | |
| D815,085 S | 4/2018 | Kim | |
| D819,014 S | 5/2018 | Kim | |
| D820,819 S | 6/2018 | Kim | |
| D823,293 S | 7/2018 | Kim et al. | |
| D823,296 S | 7/2018 | Kim et al. | |

| | | | |
|------------------|-----------|------------|------------|
| D823,297 S | 7/2018 | Kim et al. | |
| D823,298 S | 7/2018 | Kim et al. | |
| D828,346 S | 9/2018 | Kim | |
| D833,426 S | * 11/2018 | Yun | D14/250 |
| D837,197 S | * 1/2019 | Kim | D14/250 |
| D838,710 S | * 1/2019 | Wang | D14/250 |
| D853,373 S | * 7/2019 | Kim | D14/250 |
| D858,501 S | * 9/2019 | Jung | D14/250 |
| D861,658 S | * 10/2019 | Yun | D14/250 |
| D862,449 S | * 10/2019 | Jung | D14/250 |
| 2011/0050606 A1 | 3/2011 | Zhang | |
| 2015/0335116 A1 | 11/2015 | Kim | |
| 2016/0101902 A1 | 4/2016 | Kim | |
| 2016/0204817 A1 | 7/2016 | Kim | |
| 2016/0249472 A1* | 8/2016 | Tu | A45C 11/00 |
| 2016/0269516 A1 | 9/2016 | Kim | |
| 2016/0285301 A1 | 9/2016 | Kim | |
| 2016/0374443 A1 | 12/2016 | Kim | |
| 2017/0150792 A1 | 6/2017 | Kim | |

OTHER PUBLICATIONS

Spigen Tough Armor for iPhone X, publication date Dec. 11, 2017, [online][site visited Feb. 13, 2020] URL: <https://www.youtube.com/watch?v=foz1A5CKGZc> (Year: 2017).*

“Spigen Slim Armor iPhone 5S /SE/5 Case with Advanced Drop Protection and Dual Layer Design for iPhone 5S / iPhone SE /iPhone 5—Metal Slate”, <https://www.amazon.com/dp/B00DD62R40>, Earliest review date of Dec. 14, 2012, Downloaded on Sep. 18, 2018.

“Spigen Slim Armor View Galaxy S4 Case with Automatic Sleep / Wake Feature for Galaxy S4 2013—Soul Black”, <https://www.amazon.com/dp/B00DCCVS5Y>, Earliest review date of Mar. 18, 2013, Downloaded on Feb. 19, 2019.

“Spigen Slim Armor Nexus 5 Case with Air Cushion Technology and Hybrid Drop Protection for Nexus 5 2013—Infinity White”, <https://www.amazon.com/dp/B00EV8Y7XI>, Earliest review date of Nov. 4, 2013, Downloaded on Jan. 16, 2019.

“Spigen Slim Armor View Galaxy S5 Case with Automatic Sleep / Wake Feature for Samsung Galaxy S5 2014—View Smooth White”, <https://www.amazon.com/dp/B00KGG02EI>, Earliest review date of Jan. 18, 2014, Downloaded on Jan. 16, 2019.

“Spigen Slim Armor Galaxy S5 Case with Air Cushion Technology and Hybrid Drop Protection for Samsung Galaxy S5 2014—Metal Slate”, <https://www.amazon.com/dp/B00I3UWD7C>, Earliest review date of Apr. 11, 2014, Downloaded on Sep. 18, 2018.

“Spigen Slim Armor LG G3 Case with Air Cushion Technology and Hybrid Drop Protection for LG G3 2014—Metal Slate”, <https://www.amazon.com/dp/B00JQI2G5O>, Earliest review date of Jul. 9, 2014, Downloaded on Jan. 16, 2019.

“Spigen Slim Armor iPhone 6 Case with Air Cushion Technology and Hybrid Drop Protection for iPhone 6 2014—Gunmetal”, <https://www.amazon.com/dp/B00JH88GB6>, Earliest review date of Aug. 13, 2014, Downloaded on Sep. 18, 2018.

“Spigen Slim Armor iPhone 6 Plus Case with Air Cushion Technology and Hybrid Drop Protection for iPhone 6S Plus / iPhone 6 Plus—Shimmery White”, <https://www.amazon.com/dp/B00JH83C6U>, Earliest review date of Sep. 12, 2014, Downloaded on Sep. 18, 2018.

“Spigen Slim Armor Galaxy Note 4 Case with Air Cushion Technology and Hybrid Drop Protection for Samsung Galaxy Note 4 2014—Shimmery White”, <https://www.amazon.com/dp/B00MAWQPJQ>, Earliest review date of Oct. 7, 2014, Downloaded on Jul. 30, 2018.

“Spigen Slim Armor Galaxy S6 Case with Air Cushion Technology and Hybrid Drop Protection with Kickstand for Samsung Galaxy S6 (2015)—Shimmery White”, <https://www.amazon.com/dp/B00QU4NQMY>, Earliest review date of Mar. 21, 2015, Downloaded on Sep. 18, 2018.

“Spigen Slim Armor HTC One M9 Case with Kickstand and Air Cushion Technology Hybrid Drop Protection for HTC One M9 2015—Metal Slate”, <https://www.amazon.com/dp/B00SNOTASI>, Earliest review date of Mar. 31, 2015, Downloaded on Jan. 16, 2019.

(56)

References Cited

OTHER PUBLICATIONS

Spigen Slim Armor Galaxy S6 Edge Case with Kickstand and Air Cushion Technology and Hybrid Drop Protection for Galaxy S6 Edge 2015—Gunmetal, <https://www.amazon.com/dp/B00SV638ZE>, Earliest review date of Apr. 3, 2015, Downloaded on Sep. 18, 2018.

“Spigen Slim Armor Galaxy Note 5 Case with Air Cushion Technology and Hybrid Drop Protection for Galaxy Note 5 2015—Metal Slate”, <https://www.amazon.com/dp/B010MWHIKA>, Earliest review date of Aug. 21, 2015, Downloaded on Jul. 18, 2018.

“Spigen Slim Armor iPhone 6S Case with Kickstand and Air Cushion Technology Hybrid Drop Protection for iPhone 6S 2015—Rose Gold”, <https://www.amazon.com/dp/B012PKFAQ6>, Earliest review date of Sep. 1, 2015, Downloaded on Sep. 18, 2018.

Korguenkomodo, “Slim Armor case—Galaxy S6 Edge Plus”, Published on Oct. 12, 2015, Downloaded on Mar. 19, 2019.

“Spigen Slim Armor LG V10 Case with Air Cushion Technology and Hybrid Drop Protection for LG V10—Gunmetal”, <https://www.amazon.com/dp/B016X1FODW>, Earliest review date of Nov. 16, 2015, Downloaded on Sep. 18, 2018.

“Spigen Slim Armor Galaxy S7 Edge Case with Kickstand and Air Cushion Technology and Hybrid Drop Protection for Samsung Galaxy S7 Edge 2016—Champagne Gold”, <https://www.amazon.com/dp/B01BEBBWWY6>, Earliest review date of Feb. 26, 2016, Downloaded on Sep. 18, 2018.

“Spigen Slim Armor Galaxy S7 Case with Air Cushion Technology and Hybrid Drop Protection for Samsung Galaxy S7 2016—Violet”, <https://www.amazon.com/dp/B01AUR1D8K>, Earliest review date of Mar. 2, 2016, Downloaded on Sep. 18, 2018.

“Spigen Slim Armor iPhone SE Case with Air Cushion Technology and Hybrid Drop Protection for iPhone SE 2016—Rose Gold”, <https://www.amazon.com/dp/B01BEJOH5E>, Earliest review date of Apr. 6, 2016, Downloaded on Jan. 16, 2019.

“Spigen Slim Armor LG G5 Case with Air Cushion Technology and Hybrid Drop Protection for LG G5 2016—Shimmery White”, <https://www.amazon.com/dp/B01B1GQIHA>, Earliest review date of Apr. 7, 2016, Downloaded on Sep. 18, 2018.

“Spigen Slim Armor HTC 10 Case with Kickstand and Air Cushion Technology Hybrid Drop Protection for HTC 10 2016—Champagne Gold”, <https://www.amazon.com/dp/B01DAN2WTA>, Earliest review date of May 6, 2016, Downloaded on Jan. 16, 2019.

“Spigen Slim Armor iPhone 7 / iPhone 8 Case with Kickstand and Air Cushion Technology Hybrid Drop Protection for Apple iPhone 7 (2016) / iPhone 8 (2017)—Black”, <https://www.amazon.com/dp/B01HMY5WKY>, Earliest review date of Sep. 12, 2016, Downloaded on Sep. 18, 2018.

“Spigen Slim Armor iPhone 7 Plus Case with Kickstand and Air Cushion Technology Hybrid Drop Protection for Apple iPhone 7 Plus (2016)—Black”, <https://www.amazon.com/dp/B01HMY5Y3E>, Earliest review date of Sep. 22, 2016, Downloaded on Jan. 16, 2019.

“Spigen Slim Armor Google Pixel XL Case with Kickstand and SF Coated Non Slip Matte Surface and Air Cushion Technology Protection for Google Pixel XL 2016—Black”, <http://www.amazon.com/dp/B01M0FIVZ3>, Earliest review date of Oct. 20, 2016, downloaded on Jan. 16, 2019.

“Spigen Slim Armor LG G6 Case with Air Cushion Technology and Hybrid Drop Protection for LG G6 (2017)—Champagne Gold”, <http://www.amazon.com/dp/B01N1395SE>, Earliest review date of Mar. 25, 2017, downloaded on Sep. 18, 2018.

“Spigen Slim Armor Galaxy A5 2017 Case with Air Cushion Technology and Hybrid Drop Protection with Kickstand for Samsung Galaxy A5 2017—Metal Slate”, <http://www.amazon.com/dp/B01MTA3AAN>, Earliest review date of Apr. 1, 2017, downloaded on Sep. 18, 2018.

“Spigen Slim Armor Galaxy S8 Plus Case with Air Cushion Technology and Hybrid Drop Protection for Galaxy S8 Plus (2017)—Orchid Gray”, <http://www.amazon.com/dp/B0716CZ3Z1>, Earliest review date of Apr. 8, 2017, downloaded on Jul. 18, 2018.

“Spigen Slim Armor S8 Case with Air Cushion Technology and Hybrid Drop Protection for Samsung S8 (2017)—Black”, <http://www.amazon.com/dp/B01LP5XLOK>, Earliest review date of Apr. 22, 2017, downloaded on Sep. 18, 2018.

“Spigen Slim Armor Galaxy Note P Case with Air Cushion Technology and Hybrid Drop Protection for Galaxy Note P (2017)—Metal Slate”, <https://www.amazon.com/Spigen-Galaxy-Cushion-Technology-Protection/dp/B073RWL7WP>, Earliest review date of Nov. 28, 2017, downloaded on Jan. 16, 2019.

“Spigen Slim Armor iPhone a Case with Air Cushion Technology and Hybrid Drop Protection for iPhone A (2017)—Rose Gold”, <https://www.amazon.com/Spigen-Apple-iPhone-Slim-Armor/dp/B074CMJY4J>, Earliest review date of Feb. 14, 2018, downloaded on Jan. 16, 2019.

“Spigen SGP10864 LG G3 Sgp Slim Armor Case—Smooth Black”, <https://www.amazon.com/Spigen-SGP10864-Slim-Armor-Case/dp/B019PB15GM>, Earliest review date of Jul. 23, 2018, downloaded on Jan. 16, 2019.

“Spigen Slim Armor Crystal Shockproof Dual Layered Cover Case for the LG G7 ThinQ (Crystal Clear)”, <https://www.amazon.com/Spigen-Armor-Crystal-Shockproof-Layered/dp/B078RDR864>, Earliest review date of Aug. 3, 2018, Downloaded on Jan. 16, 2019.

* cited by examiner

FIG. 1

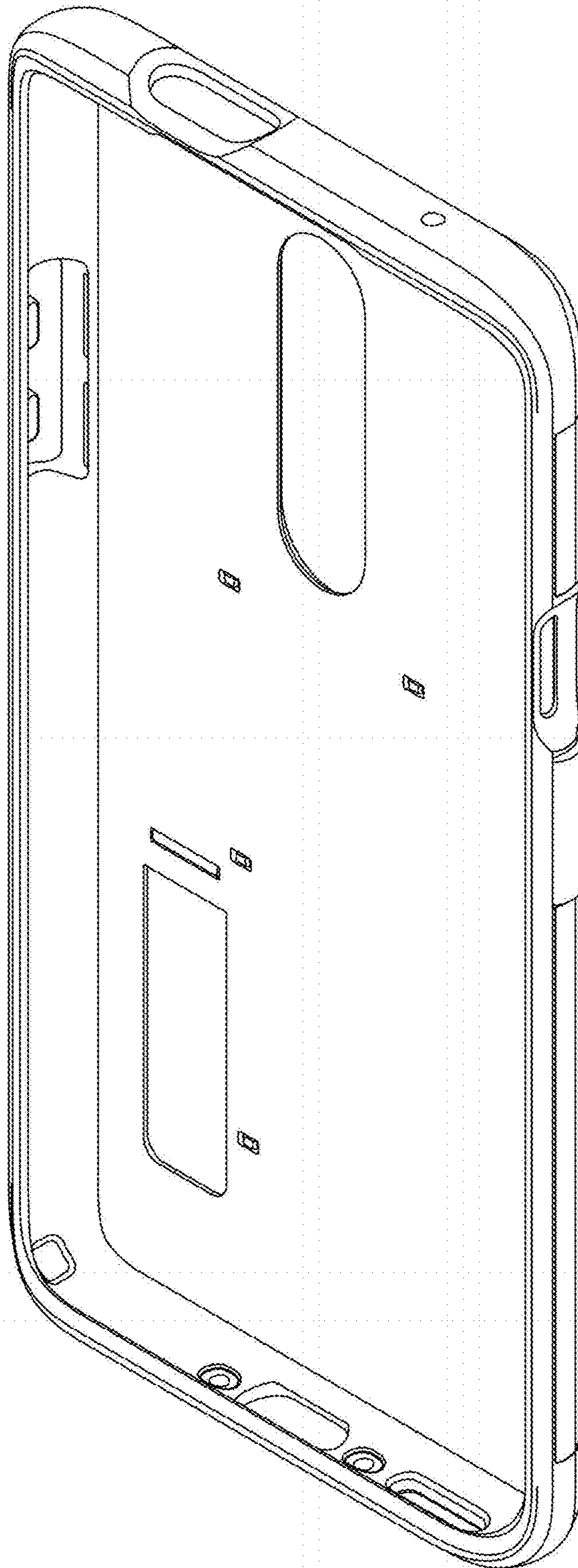


FIG. 2

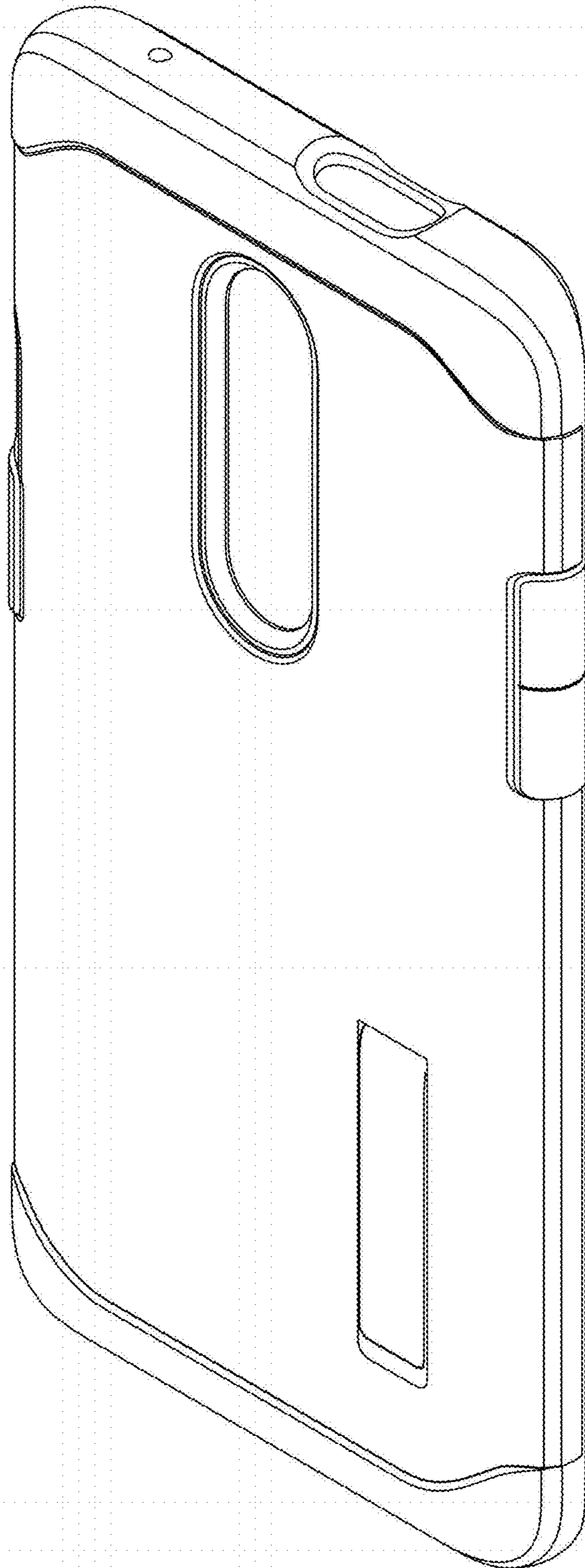


FIG. 3

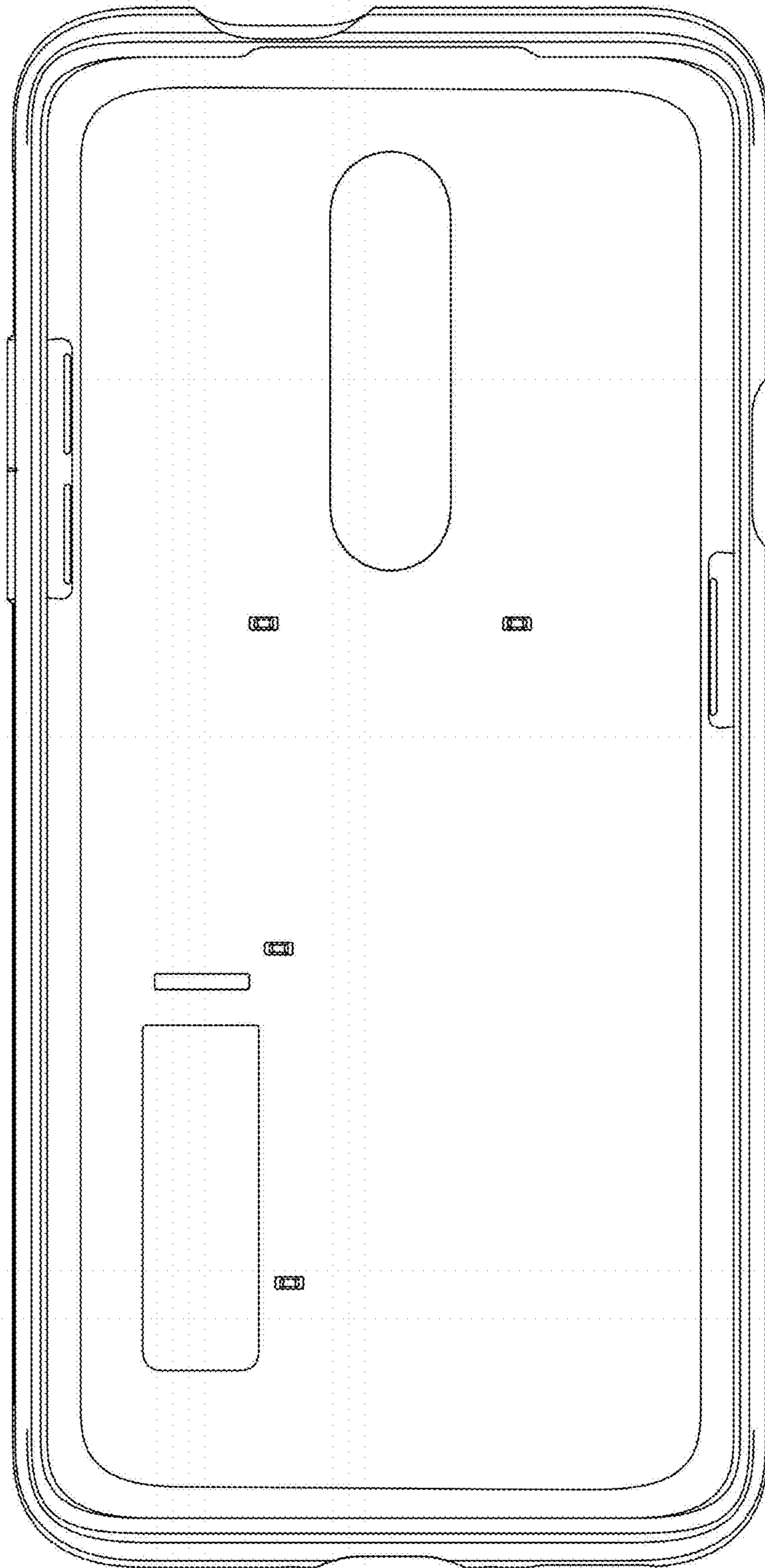


FIG. 4

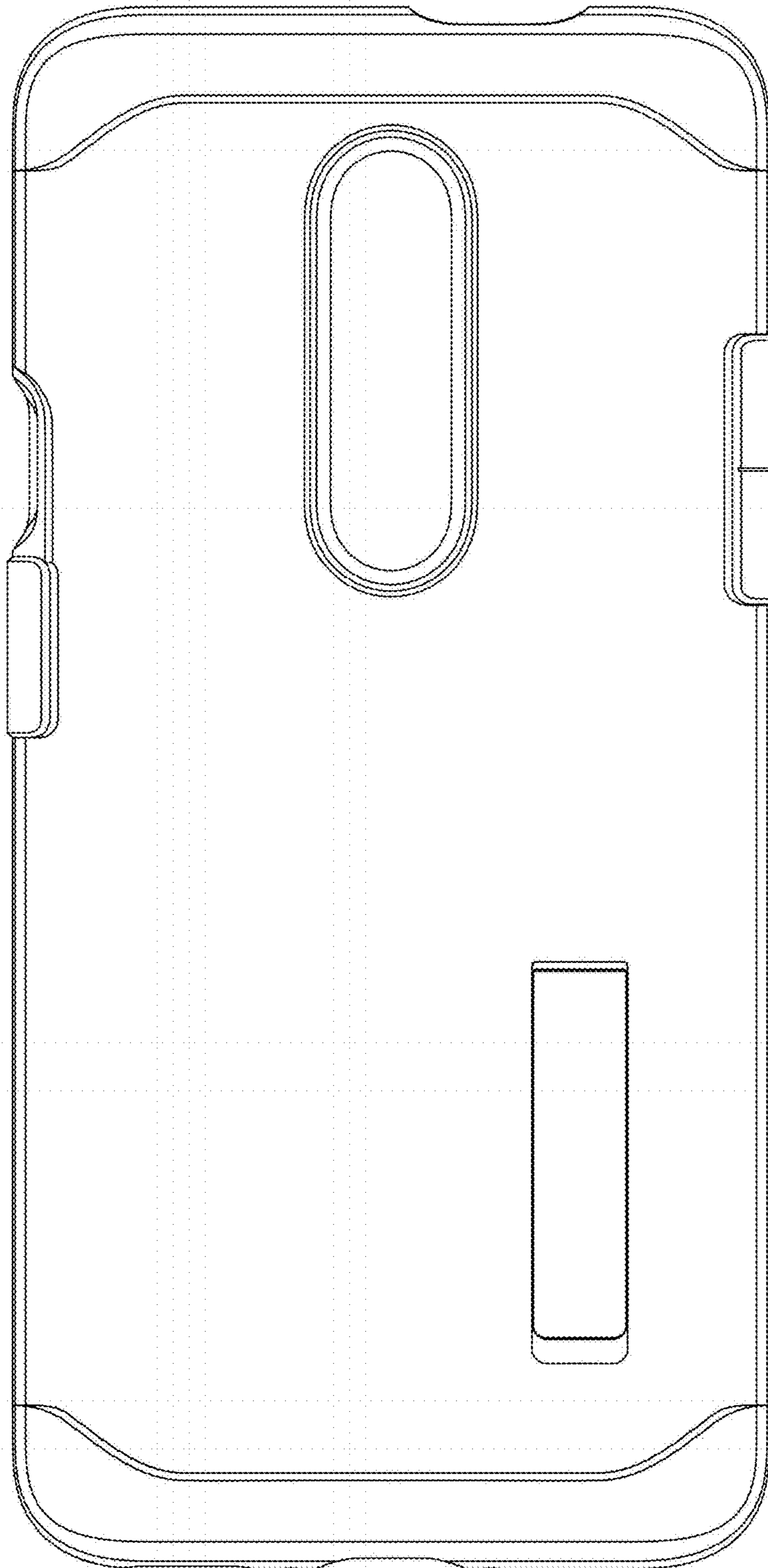


FIG. 5

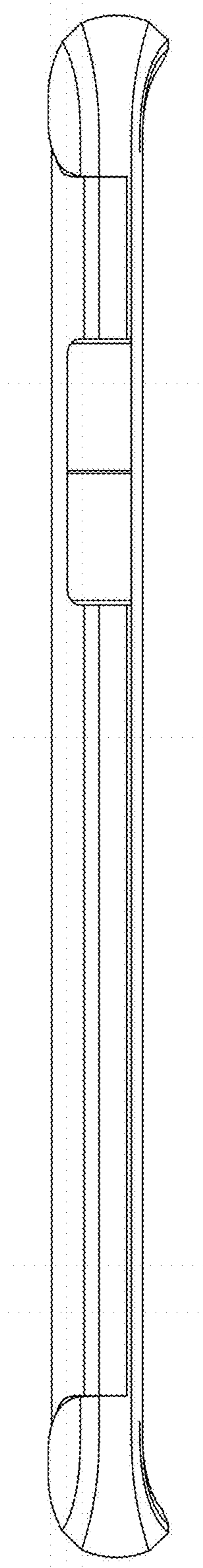


FIG. 6

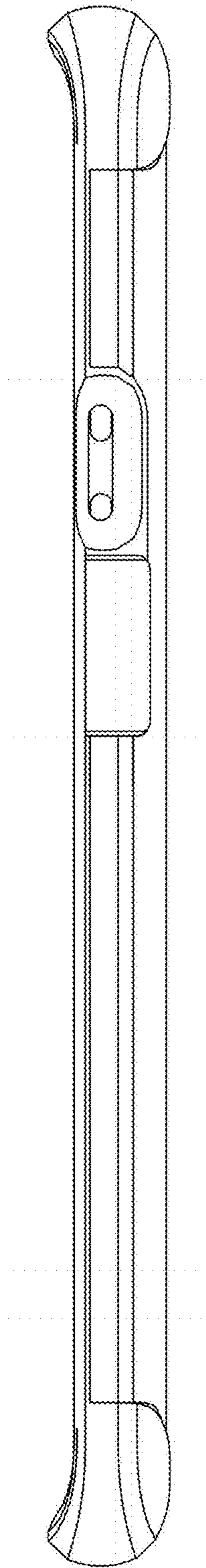


FIG. 7

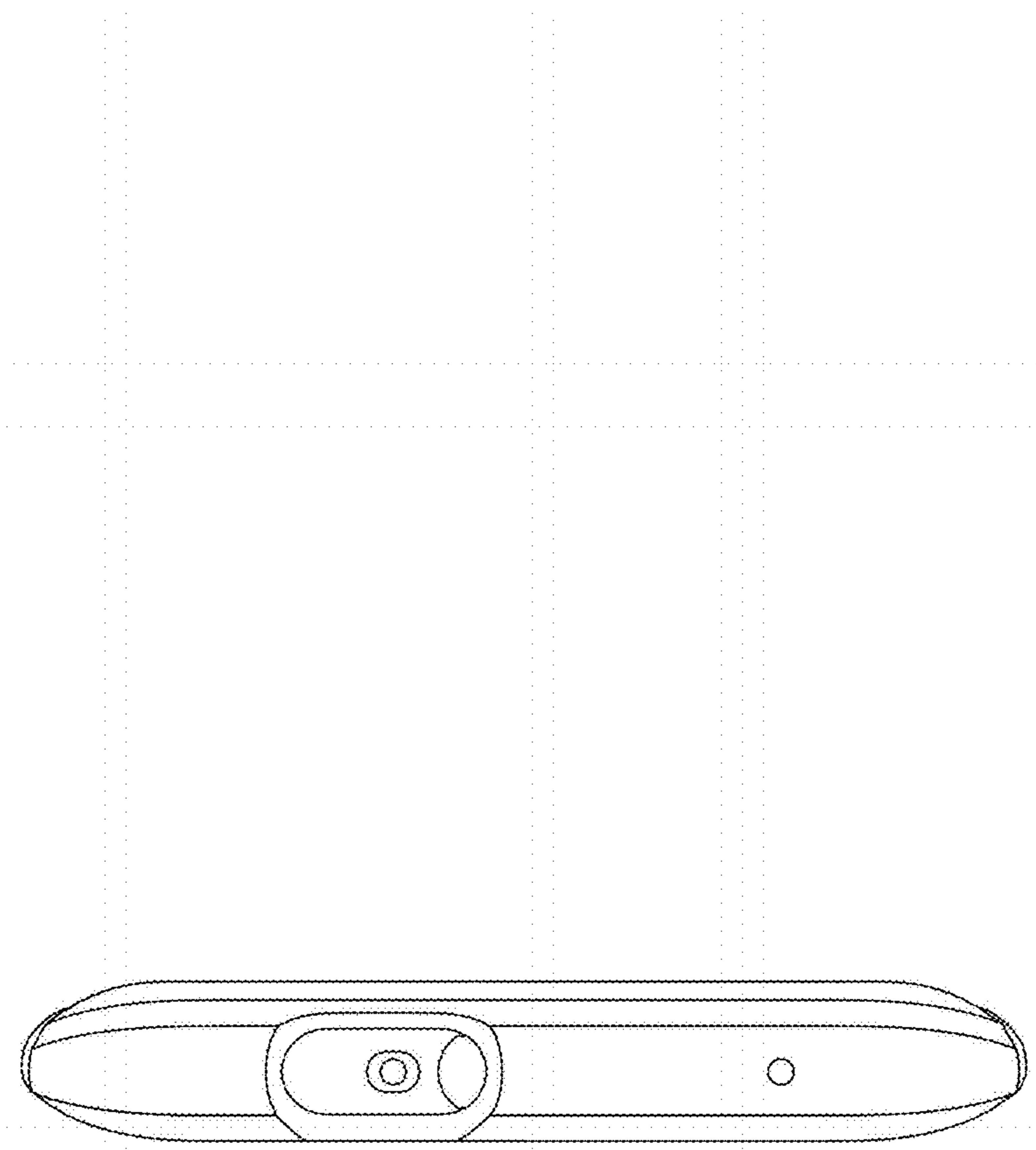


FIG. 8

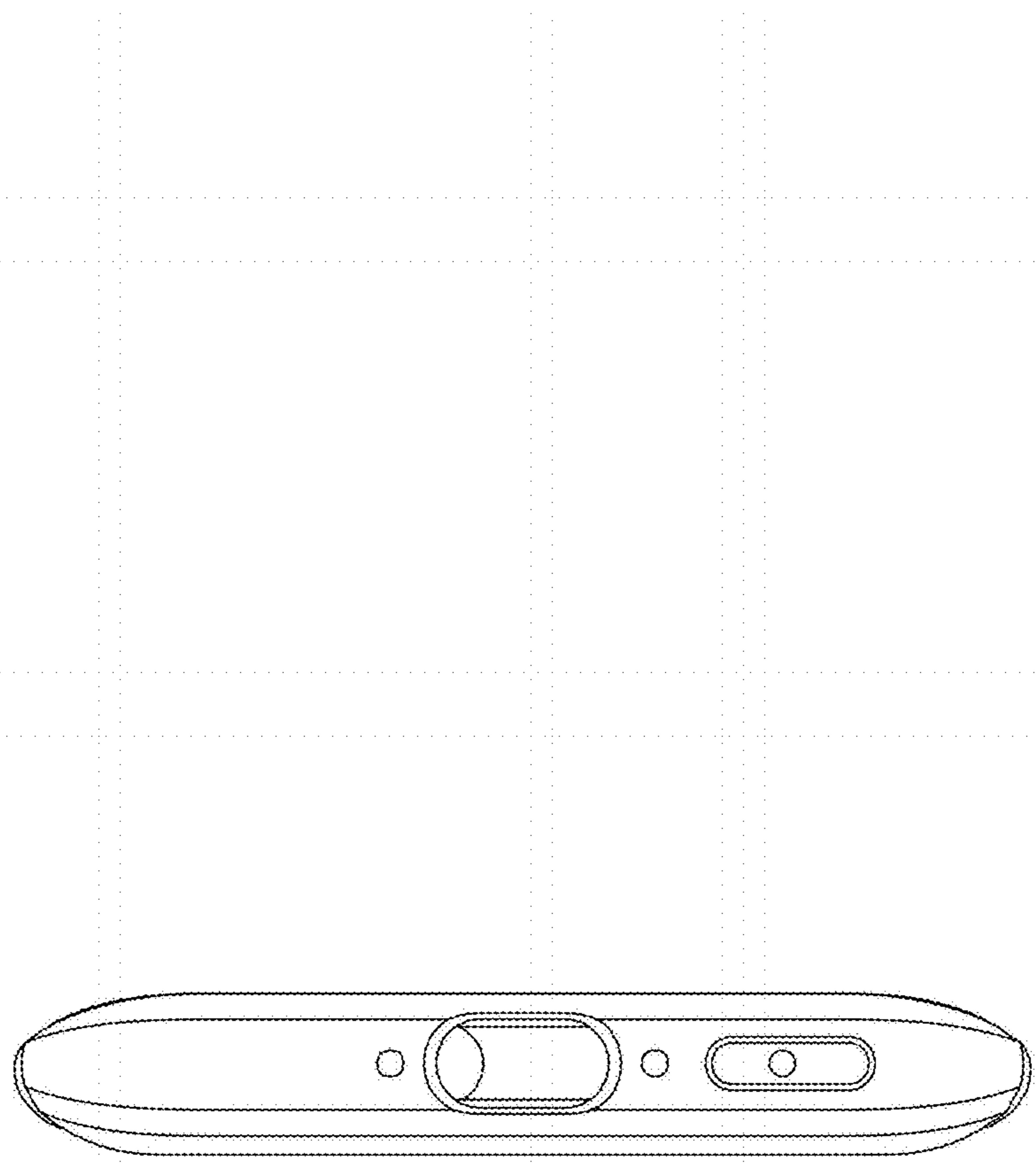


FIG. 9

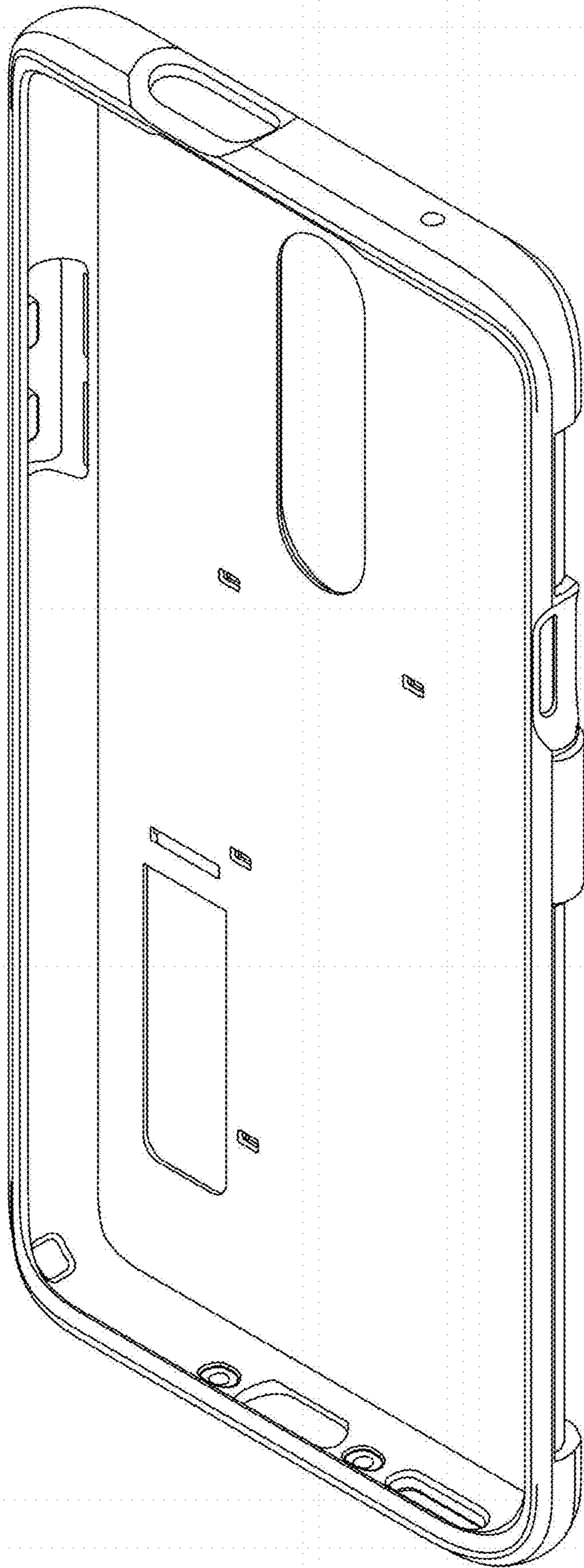


FIG. 10

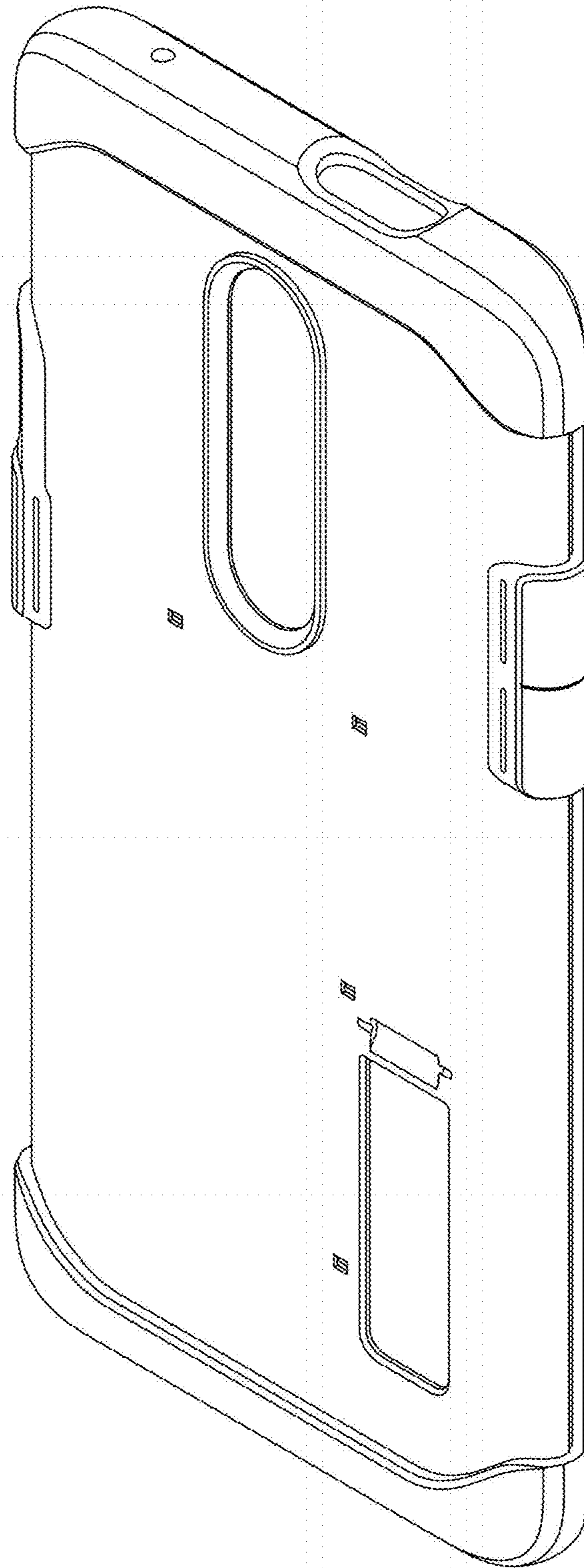


FIG. 11

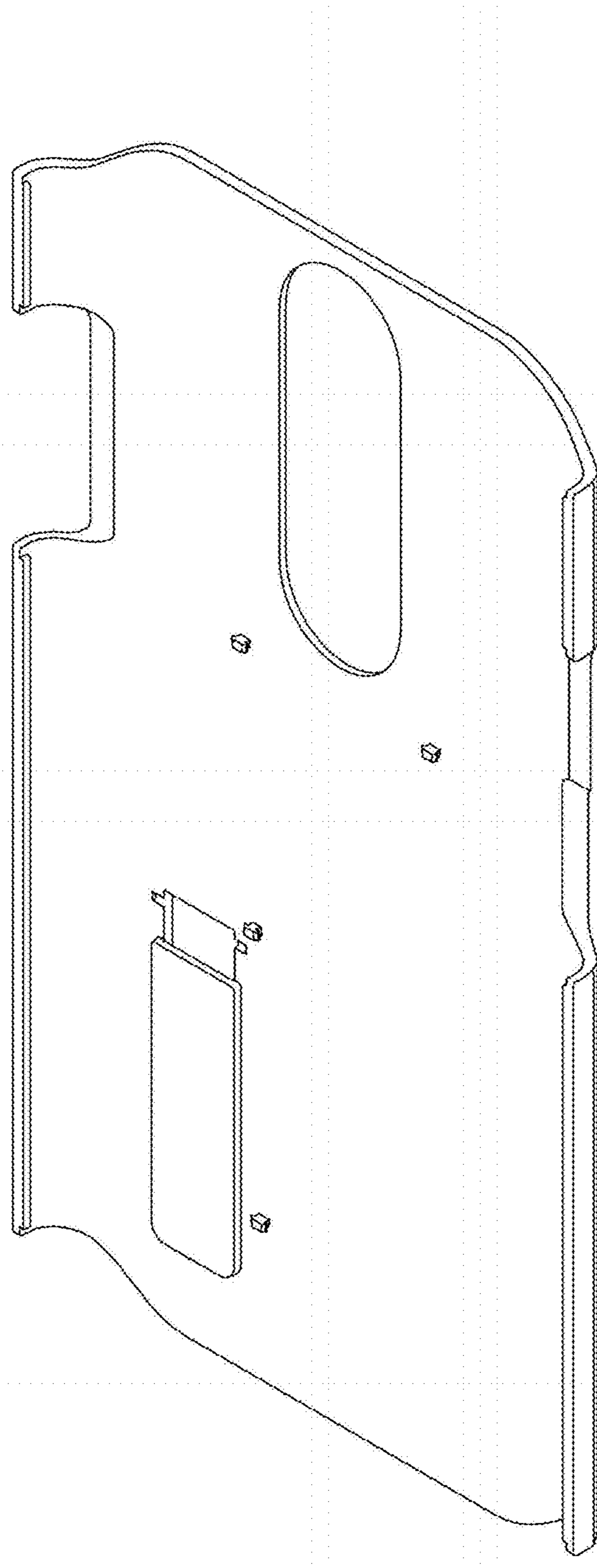


FIG. 12

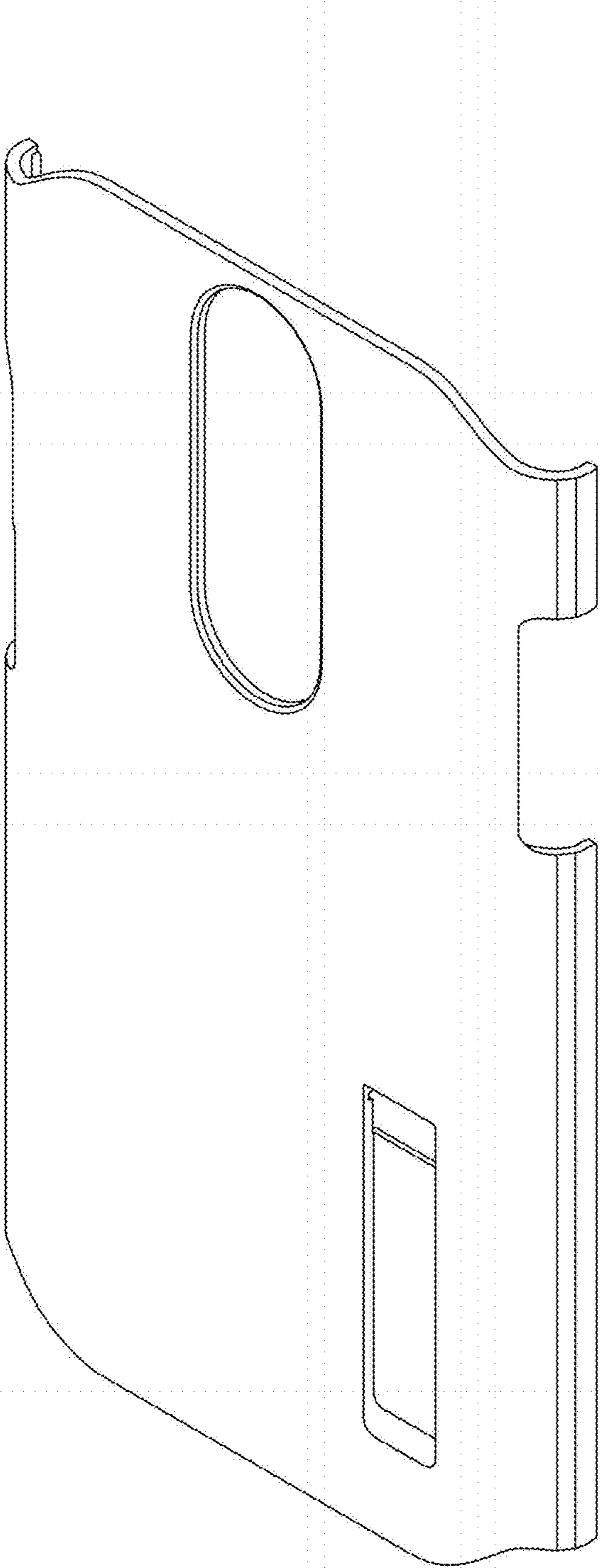


FIG. 13

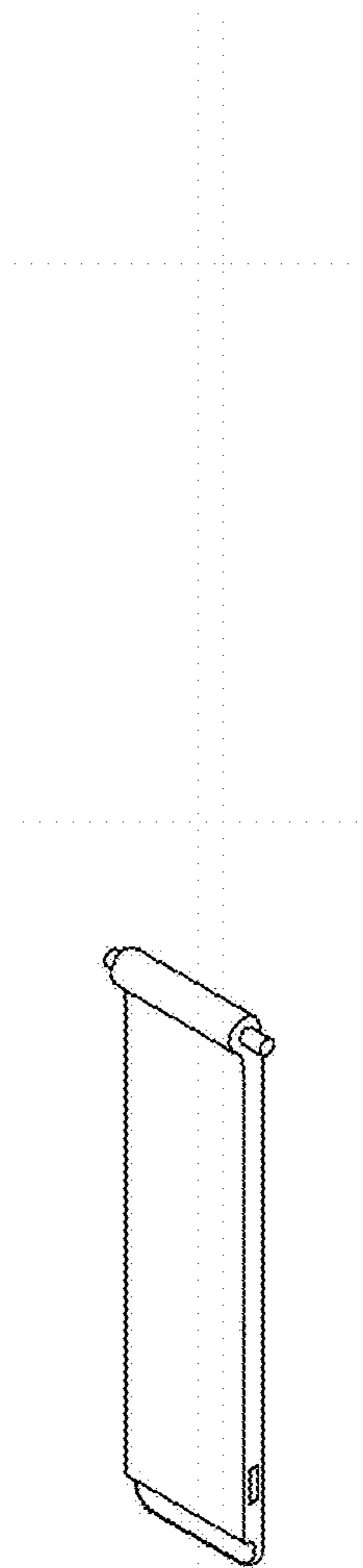


FIG. 14

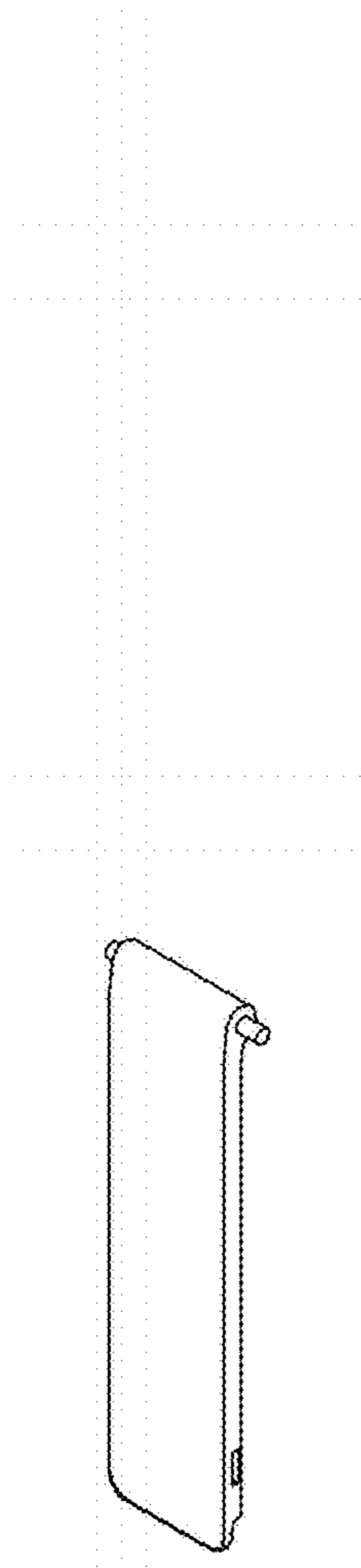


FIG. 15

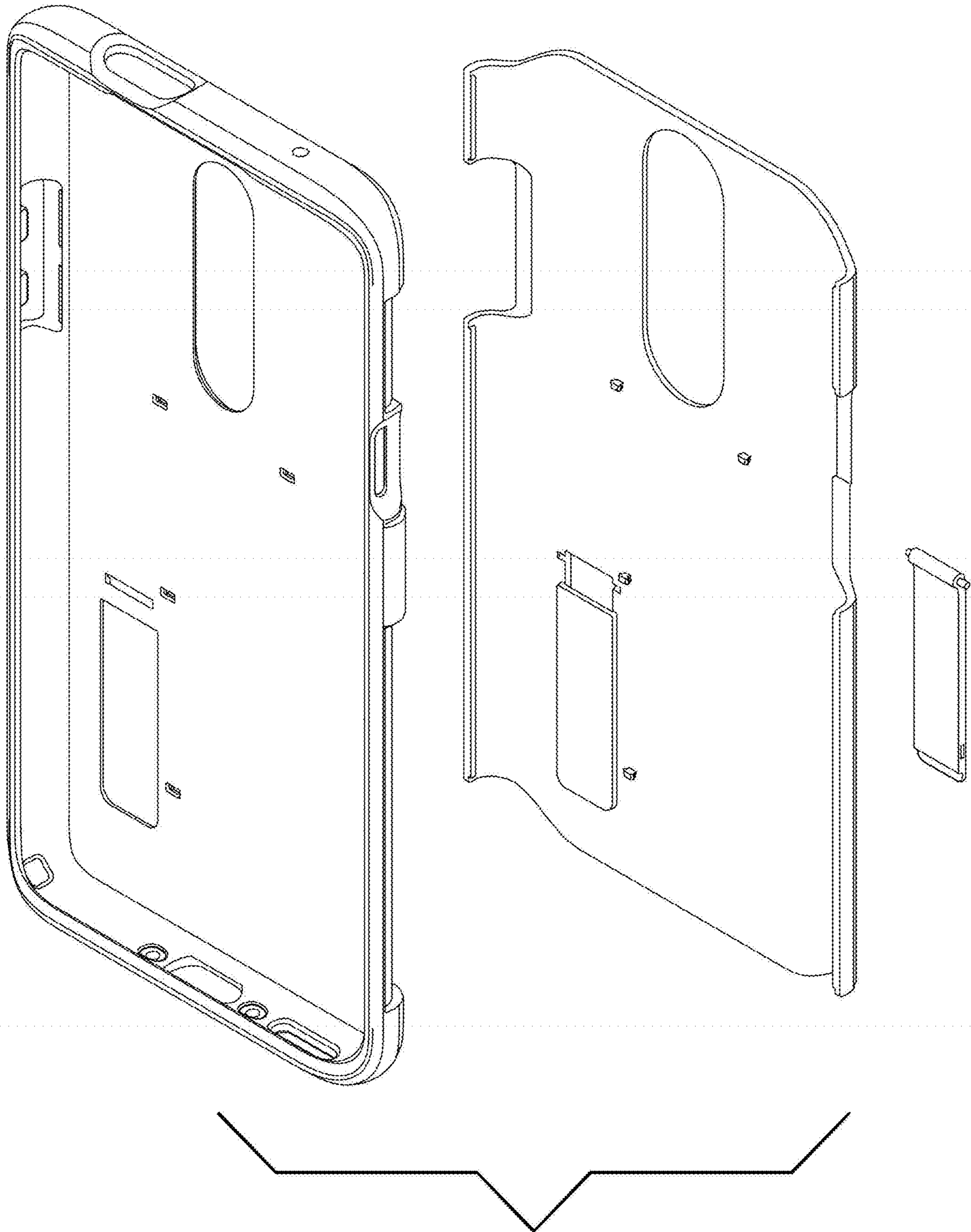


FIG. 16

