



US00D905683S

(12) **United States Design Patent** (10) **Patent No.:** **US D905,683 S**
Yoon (45) **Date of Patent:** **** *Dec. 22, 2020**

(54) **CASE FOR ELECTRONIC COMMUNICATIONS DEVICE**

(74) *Attorney, Agent, or Firm* — Heedong Chae; Lucem, PC

(71) Applicant: **SPIGEN KOREA CO., LTD.**, Seoul (KR)

(57) **CLAIM**

The ornamental design for a case for electronic communications device, as shown and described.

(72) Inventor: **Tae Sung Yoon**, Seoul (KR)

(73) Assignee: **SPIGEN KOREA CO., LTD.**, Seoul (KR)

DESCRIPTION

(*) Notice: This patent is subject to a terminal disclaimer.

FIG. 1 is a front perspective view of a case for electronic communications device showing our new design; FIG. 2 is a rear perspective view thereof; FIG. 3 is a front elevational view thereof; FIG. 4 is a rear elevational view thereof; FIG. 5 is a left side elevational view thereof; FIG. 6 is a right side elevational view thereof; FIG. 7 is a top plan view thereof; FIG. 8 is a bottom plan view thereof; FIG. 9 is a front perspective view showing the inner shell component of the case in isolation; FIG. 10 is a rear perspective view showing the inner shell component of the case in isolation; FIG. 11 is a front perspective view showing the outer frame component of the case in isolation; FIG. 12 is a rear perspective view showing the outer frame component of the case in isolation; FIG. 13 is a front perspective view showing the kickstand component of the case in isolation; FIG. 14 is a rear perspective view showing the kickstand component of the case in isolation; FIG. 15 is an exploded front perspective view showing the components of the case separated for clarity of disclosure; and, FIG. 16 is an exploded rear perspective view showing the components of the case separated for clarity of disclosure. Although the case for electronic communications device in which the claimed design is embodied has an inner shell, an outer frame, and a kickstand component, the claim is directed to the ornamental appearance of the case in its entirety and does not extend to the ornamental appearance of each of the individual components in isolation.

(**) Term: **15 Years**

(21) Appl. No.: **29/703,324**

(22) Filed: **Aug. 26, 2019**

(51) **LOC (12) Cl.** **14-03**

(52) **U.S. Cl.**
USPC **D14/250**

(58) **Field of Classification Search**
USPC D3/201, 218, 226, 227, 247, 249, 250, D3/269, 303; D13/103, 107, 108, 119;
(Continued)

(56) **References Cited**

U.S. PATENT DOCUMENTS

D613,761 S 4/2010 Jones

D613,762 S 4/2010 Jones

(Continued)

OTHER PUBLICATIONS

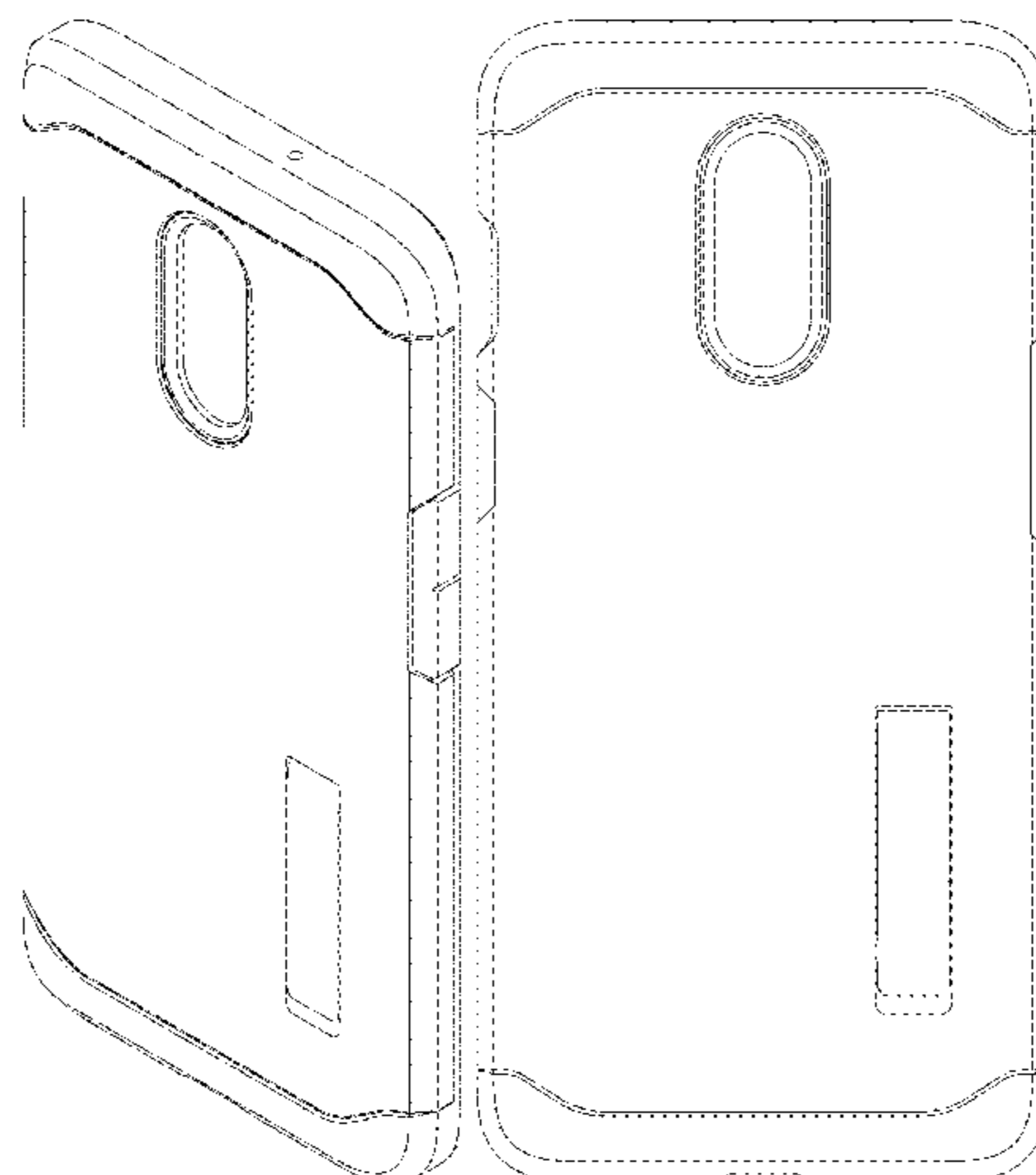
Spigen Tough Armor for Samsung Galaxy S9 Plus, publication date Jun. 10, 2018, [online][site visited Jan. 16, 2020] URL: <https://www.amazon.com/Spigen-Reinforced-Kickstand-Protection-Technology/dp/B078B69W6S> (Year: 2018).*

(Continued)

Primary Examiner — Susan E Krakower

Assistant Examiner — L. A. Grabenstetter

1 Claim, 16 Drawing Sheets



- (58) **Field of Classification Search**
 USPC D14/137, 138 R, 138 AA, 138 C, 138 G,
 D14/172, 192, 203.3–203.7, 217, 238.1,
 D14/247, 248, 250–253, 434, 440, 447,
 D14/496
 CPC H04B 1/3888; H04M 1/0283; H04M
 1/0202; A45C 1/06; A45C 2011/002;
 A45C 11/00; A45F 2005/028; A45F
 2200/0525
 See application file for complete search history.

(56) **References Cited**

U.S. PATENT DOCUMENTS

D613,763 S	4/2010	Jones	
D614,668 S	4/2010	Jones	
D619,361 S	7/2010	Andre	
D624,908 S	10/2010	Huskinson	
D636,387 S	4/2011	Willes	
D637,589 S	5/2011	Willes et al.	
D646,265 S	10/2011	Fathollahi	
D648,332 S	11/2011	Kim et al.	
D663,263 S *	7/2012	Gupta	D13/103
D663,294 S	7/2012	Buxton	
D673,547 S	1/2013	Melanson et al.	
D676,035 S	2/2013	Chang	
D679,271 S	4/2013	Liu	
D681,615 S	5/2013	Fathollahi	
D686,199 S *	7/2013	Fahrendorff	D14/250
8,517,172 B1	8/2013	Chang	
D689,852 S *	9/2013	Azoulay	D14/250
8,706,176 B1	4/2014	Jia	
D706,254 S	6/2014	Chang	
D709,871 S	7/2014	Lee	
D721,071 S	1/2015	Nelson	
9,049,283 B1	6/2015	Kim	
D740,798 S	10/2015	Poon et al.	
9,185,954 B2	11/2015	Cheung	
D749,068 S	2/2016	Zaborski	
D749,535 S	2/2016	Joung	
D749,594 S	2/2016	Kim	
D755,764 S	5/2016	Dong	
D755,772 S	5/2016	Sasaki	
D756,339 S	5/2016	Tussy	
D756,340 S	5/2016	Babichenko	
D756,343 S	5/2016	Wall et al.	
D756,909 S	5/2016	Gupta	
D756,977 S	5/2016	Schriefer	
D756,978 S	5/2016	Addonisio	
D756,980 S	5/2016	Beeman	
D757,703 S	5/2016	Kanazawa	
D759,641 S	6/2016	Lai et al.	
D759,642 S	6/2016	Chao	
D762,633 S	8/2016	Fife	
D765,634 S	9/2016	McCray et al.	
D765,635 S	9/2016	Chang	
D765,638 S	9/2016	Gaylord	
D765,640 S	9/2016	Bulkley	
D768,615 S	10/2016	Wang	
9,467,189 B2	10/2016	Day et al.	
D771,028 S	11/2016	Kim	
D771,607 S	11/2016	Kim	
D771,608 S	11/2016	Kim	
D772,209 S	11/2016	Kim	
D772,211 S	11/2016	Poon et al.	
D772,858 S	11/2016	Hu	
9,503,147 B2	11/2016	Witter et al.	
D775,112 S *	12/2016	Hemesath	D14/250
D775,620 S	1/2017	Kim	
D776,104 S	1/2017	Tien	
D776,648 S	1/2017	Kim	
D776,649 S	1/2017	Kim	
D777,155 S	1/2017	Kim	
D777,156 S	1/2017	Kim	
D777,160 S	1/2017	Kim	
9,545,140 B1	1/2017	Johnson et al.	
D778,897 S	2/2017	Kim	

D778,898 S	2/2017	Kim	
D780,166 S	2/2017	Lin	
D780,167 S	2/2017	Tien	
D780,738 S	3/2017	Barfoot et al.	
D781,835 S	3/2017	Kim et al.	
D781,836 S	3/2017	Kim et al.	
D781,839 S	3/2017	Kim et al.	
D781,840 S	3/2017	Kim et al.	
D786,233 S	5/2017	Kim	
D786,851 S	5/2017	Kim	
D786,852 S	5/2017	Kim	
D787,491 S	5/2017	Kim	
D787,942 S	5/2017	Kim	
D788,760 S	6/2017	Kim	
D789,344 S	6/2017	Kim	
D791,116 S	7/2017	Kim	
D791,755 S	7/2017	Kim	
D796,497 S	9/2017	Kim	
D797,094 S	9/2017	Kim	
D798,284 S	9/2017	Kim	
D800,713 S	10/2017	Kim	
D801,323 S	10/2017	Kim	
D802,574 S	11/2017	Kim	
D803,206 S	11/2017	Kim	
D806,063 S	12/2017	Kim	
D808,375 S	1/2018	Kim et al.	
D808,955 S	1/2018	Park et al.	
D810,726 S	2/2018	Chou et al.	
D813,854 S	3/2018	Lee et al.	
D819,012 S	5/2018	Kim et al.	
D819,013 S	5/2018	Kim et al.	
D819,014 S	5/2018	Kim	
D820,245 S	6/2018	Kim et al.	
D823,293 S	7/2018	Kim et al.	
D823,296 S	7/2018	Kim et al.	
D823,297 S	7/2018	Kim et al.	
D823,298 S	7/2018	Kim et al.	
D824,377 S	7/2018	Kim et al.	
D833,426 S *	11/2018	Yun	D14/250
D834,571 S	11/2018	Ravid	
D837,197 S *	1/2019	Kim	D14/250
D838,710 S *	1/2019	Wang	D14/250
D853,373 S *	7/2019	Kim	D14/250
D858,501 S *	9/2019	Jung	D14/250
D861,658 S *	10/2019	Yun	D14/250
D862,449 S *	10/2019	Jung	D14/250
2009/0017883 A1	1/2009	Lin	
2011/0050606 A1	3/2011	Zhang	
2013/0077211 A1	3/2013	Wang	
2013/0126531 A1	5/2013	Hynecek	
2014/0262855 A1	9/2014	Gandhi	
2014/0360892 A1	12/2014	Lin	
2015/0156297 A1	6/2015	Crawford	
2015/0335116 A1	11/2015	Kim	
2016/0028430 A1	1/2016	Crawford	
2016/0101902 A1	4/2016	Kim	
2016/0204817 A1	7/2016	Kim	
2016/0249472 A1 *	8/2016	Tu	A45C 11/00
2016/0285301 A1	9/2016	Kim	
2016/0374443 A1	12/2016	Kim	
2017/0150792 A1	6/2017	Kim	
2017/0230072 A1	8/2017	Kim	

OTHER PUBLICATIONS

Spigen Tough Armor for iPhone X, publication date Dec. 11, 2017, [online][site visited Feb. 13, 2020] URL: <https://www.youtube.com/watch?v=foz1A5CKGZc> (Year: 2017).*

“Spigen Tough Armor iPhone SE/5S/5 Case with Extreme Heavy Duty Protection and Air Cushion Technology for iPhone SE/iPhone 5S/iPhone 5—Metal Slate”, <https://www.amazon.com/Spigen-Extreme-Protection-Cushion-Technology/dp/B00DMKGPP4>, Earliest review date of Aug. 1, 2013, Downloaded on Aug. 9, 2018.

“Spigen Tough Armor Designed for Apple iPad Mini 3 Case, iPad Mini 2 Case, iPad Mini Case—Metal Slate”, <https://www.amazon.com/Spigen-Tough-Armor-Designed-Apple/dp/B00FRVDVXK>, Earliest review date of Dec. 27, 2013, Downloaded on Jan. 15, 2019.

(56)

References Cited

OTHER PUBLICATIONS

“Spigen Tough Armor Galaxy S5 Case with Extreme Heavy Duty Protection and Air Cushion Technology for Samsung Galaxy S5 2014—Gunmetal”, <https://www.amazon.com/Spigen-Extreme-Protection-Cushion-Technology/dp/B00I3UWDV8>, Earliest review date of Mar. 9, 2014, Downloaded on Aug. 9, 2018.

“Spigen Tough Armor iPhone 6 Plus Case with Kickstand and Extreme Heavy Duty Protection and Air Cushion Technology for iPhone 6S Plus / iPhone 6 Plus—Gunmetal”, <https://www.amazon.com/dp/B00LL987W2>, Earliest review date of Jul. 8, 2014, Downloaded on Oct. 4, 2017.

“Spigen Tough Armor iPhone 6 Case with Extreme Heavy Duty Protection and Air Cushion Technology for iPhone 6S/ iPhone 6—Smooth Black”, <https://www.amazon.com/Spigen-Extreme-Protection-Cushion-Technology/dp/B00NSSX23I>, Earliest review date of Aug. 14, 2014, Downloaded on Aug. 9, 2018.

“Spigen Tough Armor iPhone 6 Case with Extreme Heavy Duty Protection and Air Cushion Technology for iPhone 6S / iPhone 6—Gunmetal”, <https://www.amazon.com/Spigen-Extreme-Protection-Cushion-Technology/dp/B00LL60JU8>, Earliest review date of Sep. 10, 2014, Downloaded on Jan. 15, 2019.

“Spigen Tough Armor S iPhone 6 Case with Extreme Heavy Duty Protection and Card Kickstand Feature for iPhone 6S / iPhone 6—S Mint”, <https://www.amazon.com/Spigen-Extreme-Protection-Kickstand-Feature/dp/B00LL65B06>, Earliest review date of Sep. 18, 2014, Downloaded on Jan. 15, 2019.

“Spigen Tough Armor Galaxy Note 4 Case with Extreme Heavy Duty Protection and Air Cushion Technology for Samsung Galaxy Note 4 2014—Gunmetal”, <https://www.amazon.com/dp/B00MAWQU14>, Earliest review date of Oct. 9, 2014, Downloaded on Aug. 31, 2018.

“Spigen Tough Armor FX iPhone 6 Case with Extreme Protection and Front Built-In Screen Protector Cover for iPhone 6S / iPhone 6—Gunmetal”, <https://www.amazon.com/Spigen-iPhone-Extreme-Protection-Protector/dp/B00PR9XE5C>, Earliest review date of Jan. 8, 2015, Downloaded on Jan. 15, 2019.

“Spigen Tough Armor Galaxy S6 Edge Case with Kickstand and Extreme Heavy Duty Protection and Air Cushion Technology for Galaxy S6 Edge 2015—Gunmetal”, <https://www.amazon.com/dp/B00SV63L38>, Earliest review date of Mar. 12, 2015, Downloaded on Aug. 9, 2018.

“Spigen Tough Armor Galaxy S6 Case with Kickstand and Air Cushion Technology for Galaxy S6 2015—Gunmetal”, <https://www.amazon.com/dp/B00QU4PUKK>, Earliest review date of Mar. 23, 2015, Downloaded on Aug. 9, 2018.

“Spigen Tough Armor iPhone 6S Case with Extreme Heavy Duty Protection and Air Cushion Technology for iPhone 6S/iPhone 6—Rose Gold”, <https://www.amazon.com/dp/B013TKNNGK>, Earliest review date of Aug. 30, 2015, Downloaded on Aug. 8, 2018.

“Spigen Tough Armor iPhone 6S Plus Case with Kickstand and Heavy Duty Air Cushion Technology Protection for iPhone 6S Plus/iPhone 6 Plus Only—Gunmetal”, <https://www.amazon.com/Spigen-Kickstand-Cushion-Technology-Protection/dp/B010MVQJPQ>, Earliest review date of Sep. 9, 2015, Downloaded on Aug. 9, 2018.

“Spigen Tough Armor Galaxy S7 Edge Case with Kickstand and Extreme Heavy Duty Protection and Air Cushion Technology for Samsung Galaxy S7 Edge 2016—Gunmetal”, <https://www.amazon.com/dp/B01A7IDNWQ>, Earliest review date of Feb. 24, 2016, Downloaded on Aug. 9, 2018.

“Spigen Tough Armor Galaxy S7 Case with Extreme Heavy Duty Protection and Air Cushion Technology for Samsung Galaxy S7 2016—Gunmetal”, <https://www.amazon.com/dp/B01A7ID3PS>, Earliest review date of Feb. 25, 2016, Downloaded on Aug. 9, 2018.

“Spigen Tough Armor LG G5 Case with Reinforced Kickstand and Heavy Duty Protection and Air Cushion Technology for LG G5 (2016)—Gunmetal”, <https://www.amazon.com/dp/B01B1GQL6I>, Earliest review date of Mar. 11, 2016, Downloaded on Aug. 9, 2018.

“Spigen Tough Armor iPhone SE Case with Extreme Heavy Duty Protection and Air Cushion Technology for iPhone SE 2016—

Black”, <https://www.amazon.com/Spigen-Extreme-Protection-Cushion-Technology/dp/B01BEJB9XM>, Earliest review date of Apr. 7, 2016, Downloaded on Aug. 9, 2018.

“Spigen Tough Armor Heavy Duty Extreme Protection Rugged Slim Dual Layer Protective Cover Case for Apple iPhone 7—Gunmetal”, <https://www.amazon.co.uk/dp/B01GIVWY30>, Date first available at Amazon.co.uk of Aug. 2, 2016, Downloaded on Sep. 17, 2018.

“Spigen Tough Armor iPhone 7 Plus / iPhone 8 Plus Case with Extreme Heavy Duty Protection and Air Cushion Technology with Kickstand for Apple iPhone 7 Plus 2016 / iPhone 8 Plus 2017—Rose Gold”, <https://www.amazon.com/dp/B01GIWGE8A>, Earliest review date of Sep. 6, 2016, Downloaded on Aug. 9, 2018.

“Spigen Tough Armor iPhone 7 Case with Extreme Heavy Duty Protection and Air Cushion Technology for iPhone 7 2016—Black”, <https://www.amazon.com/dp/B01GIVX30I>, Earliest review date of Sep. 9, 2016, Downloaded on Aug. 9, 2018.

“Spigen Tough Armor iPhone 7 Case with Jet Black Optimized Color and Extreme Heavy Duty Protection and Air Cushion Technology for iPhone 7 2016—Jet Black”, <https://www.amazon.com/Spigen-Optimized-Extreme-Protection-Technology/dp/B01LRSFLFM>, Earliest review date of Sep. 25, 2016, Downloaded on Aug. 9, 2018.

“Spigen Tough Armor Google Pixel Case with Kickstand and Heavy Duty Air Cushion Technology Protection for Google Pixel 2016—Black”, <https://www.amazon.com/Spigen-Kickstand-Cushion-Technology-Protection/dp/B01M12Z4PY>, Earliest review date of Oct. 20, 2016, Downloaded on Aug. 9, 2018.

“Spigen Tough Armor Google Pixel XL Case with Kickstand and Heavy Duty Air Cushion Technology Protection for Google Pixel XL 2016—Gunmetal”, <https://www.amazon.com/Spigen-Kickstand-Cushion-Technology-Protection/dp/B01LZGCH6E>, Earliest review date of Oct. 21, 2016, Downloaded on Aug. 9, 2018.

“Spigen Tough Armor LG V20 Case with Kickstand and Extreme Heavy Duty Protection and Air Cushion Technology for LG V20—Gunmetal”, <https://www.amazon.com/Spigen-Kickstand-Extreme-Protection-Technology/dp/B01M9FI54B>, Earliest review date of Dec. 2, 2016, Downloaded on Aug. 9, 2018.

“Spigen Tough Armor Designed for Apple Watch Case for 42mm Series 3 / Series 2/1 / Original (2015) / Nike+ Sport Edition and Built in Screen Protector—Gunmetal”, <https://www.amazon.com/dp/B01N74P26H>, Earliest review date of Jan. 4, 2017, Downloaded on Jan. 15, 2019.

“Spigen Tough Armor LG G6 Case with Extreme Heavy Duty Protection and Air Cushion Technology for LG G6 (2017)—Black”, <https://www.amazon.com/dp/B01MR8C4RY>, Earliest review date of Mar. 26, 2017, Downloaded on Aug. 9, 2018.

“Spigen Tough Armor Galaxy S8 Plus Case with Reinforced Kickstand and Heavy Duty Protection and Air Cushion Technology for Samsung Galaxy S8 Plus (2017)—Black”, <https://www.amazon.com/dp/B06XP4FP8N>, Earliest review date of Apr. 8, 2017, Downloaded on Aug. 9, 2018.

“Spigen Tough Armor Galaxy S8 Case with Kickstand and Extreme Heavy Duty Protection and Air Cushion Technology for Samsung Galaxy S8 (2017)—Black”, <http://www.amazon.com/dp/B0716CZ3Z1>, Earliest review date of Apr. 9, 2017, downloaded on Aug. 9, 2018.

“Spigen Tough Armor [2nd Generation] iPhone 8 Plus Case/iPhone 7 Plus Case with Kickstand Air Cushion Technology for Apple iPhone 8 Plus (2017) / iPhone 7 Plus (2016)—Black”, <http://www.amazon.com/dp/B07482KRLP>, Earliest review date of Aug. 18, 2017, downloaded on Jan. 15, 2019.

“Spigen Tough Armor [2nd Generation] iPhone 8 Plus Case/iPhone 7 Plus Case with Kickstand Air Cushion Technology for Apple iPhone 8 Plus (2017)/iPhone 7 Plus (2016)—Rose Gold”, <http://www.amazon.com/dp/B074826HMD>, Earliest review date of Aug. 18, 2017, downloaded on Aug. 9, 2018.

“Spigen Tough Armor Galaxy Note 8 Case with Kickstand and Extreme Heavy Duty Protection and Air Cushion Technology for Galaxy Note 8 (2017)—Orchid Gray”, <http://www.amazon.com/dp/B073R7MND3>, Earliest review date of Aug. 26, 2017, downloaded on Aug. 9, 2018.

“Spigen Tough Armor [2nd Generation] iPhone 8 Case/iPhone 7 Case with Kickstand and Heavy Duty Protection and Air Cushion

(56)

References Cited

OTHER PUBLICATIONS

Technology for Apple iPhone 8 (2017)/iPhone 7 (2016)—Gunmetal”, <http://www.amazon.com/dp/B07482KVD3>, Earliest review date of Sep. 2, 2017, downloaded on Aug. 9, 2018.

“Spigen Tough Armor LG V30 Case with Kickstand and Heavy Duty Protection for LG V30 (2017)—Black”, <http://www.amazon.com/dp/B071WS1TYG>, Earliest review date of Sep. 8, 2017, downloaded on Aug. 9, 2018.

“Spigen Tough Armor Galaxy S8 Active Case with Kickstand and Extreme Heavy Duty Protection and Air Cushion Technology for Galaxy S8 Active (2017)—Gunmetal”, <http://www.amazon.com/dp/B0746PT25T>, Earliest review date of Sep. 15, 2017, downloaded on Aug. 9, 2018.

“Spigen Tough Armor Designed for Apple iPhone X Case (2018) / Designed for Apple iPhone X Case (2017)—Matte Black”, <http://www.amazon.com/dp/B074CMT7HV>, Earliest review date of Sep. 27, 2017, downloaded on Jan. 15, 2019.

“Spigen Tough Armor Designed for Apple iPad Pro 10.5 Case (2017)—Black”, <http://www.amazon.com/dp/B0751GFB8X>, Earliest review date of Oct. 11, 2017, downloaded on Jan. 15, 2019.

“Spigen Tough Armor Designed for Apple iPad 9.7 Case iPad Case (2017/2018)—Black”, <http://www.amazon.com/dp/B072F7DGMJ>, Earliest review date of Oct. 23, 2017, downloaded on Jan. 15, 2019.

“Spigen Tough Armor Google Pixel 2 Case with Kickstand and Extreme Heavy Duty Protection and Air Cushion Technology for Google Pixel 2 (2017)—Gunmetal”, <http://www.amazon.com/dp/B0747523HC>, Earliest review date of Oct. 28, 2017, downloaded on Aug. 9, 2018.

“Spigen Tough Armor Google Pixel 2 XL Case with Kickstand and Extreme Heavy Duty Protection and Air Cushion Technology for Google Pixel 2 XL (2017)—Black”, <http://www.amazon.com/dp/B07477LL8Q>, Earliest review date of Oct. 29, 2017, downloaded on Aug. 9, 2018.

“Spigen Tough Armor Moto Z2 Force Case with Kickstand and Extreme Heavy Duty Protection and Air Cushion Technology for Moto Z2 Force (2017)—Gunmetal”, <http://www.amazon.com/dp/B074PB5HQ1>, Earliest review date of Nov. 21, 2017, downloaded on Aug. 9, 2018.

“Spigen Tough Armor TECH Designed for Apple iPad 9.7 Case iPad Case (2017/2018)—Black”, <http://www.amazon.com/dp/B078FGC17H>, Earliest review date of Feb. 18, 2018, downloaded on Jan. 15, 2019.

“Spigen Tough Armor Galaxy S9 Plus Case with Reinforced Kickstand and Heavy Duty Protection and Air Cushion Technology for Samsung Galaxy S9 Plus (2018)—Lilac Purple”, <http://www.amazon.com/dp/B078BBPY98>, Earliest review date of Mar. 1, 2018, downloaded on Jan. 15, 2019.

“Spigen Tough Armor Galaxy S9 Case with Reinforced Kickstand and Heavy Duty Protection and Air Cushion Technology for Samsung Galaxy S9 (2018)—Graphite Gray”, <http://www.amazon.com/dp/B078B3K513>, Earliest review date of Mar. 10, 2018, downloaded on Jan. 16, 2019.

“Spigen Tough Armor Galaxy S9 Case with Reinforced Kickstand and Heavy Duty Protection and Air Cushion Technology for Samsung Galaxy S9 (2018)—Graphite Gray”, <http://www.amazon.com/dp/B078B3K513>, Earliest review date of Mar. 10, 2018, downloaded on Aug. 9, 2018.

“Spigen Tough Armor LG G7 Case/LG G7 ThinQ Case with Reinforced Kickstand and Heavy Duty Protection and Air Cushion Technology for LG G7 ThinQ (2018)—Gunmetal”, <https://www.amazon.com/Spigen-Reinforced-Kickstand-Protection-Technology/dp/B078MVT4YD>, Earliest review date of Jun. 1, 2018, downloaded on Aug. 9, 2018.

“Spigen Tough Armor Moto G6 Case with Reinforced Kickstand and Heavy Duty Protection and Air Cushion Technology for Motorola Moto G6 (2018)—Metal Slate”, <https://www.amazon.com/Spigen-Reinforced-Kickstand-Protection-Technology/dp/B07D2YP2QZ>, Earliest review date of Aug. 5, 2018, downloaded on Aug. 9, 2018.

“Spigen Tough Armor Galaxy Note 9 Case with Kickstand and Extreme Heavy Duty Protection and Air Cushion Technology for Samsung Galaxy Note 9 (2018)—Ocean Blue”, <https://www.amazon.com/Spigen-Kickstand-Extreme-Protection-Technology/dp/B07FN5D7T8>, Earliest review date of Aug. 10, 2018, downloaded on Jan. 15, 2019.

* cited by examiner

FIG. 1

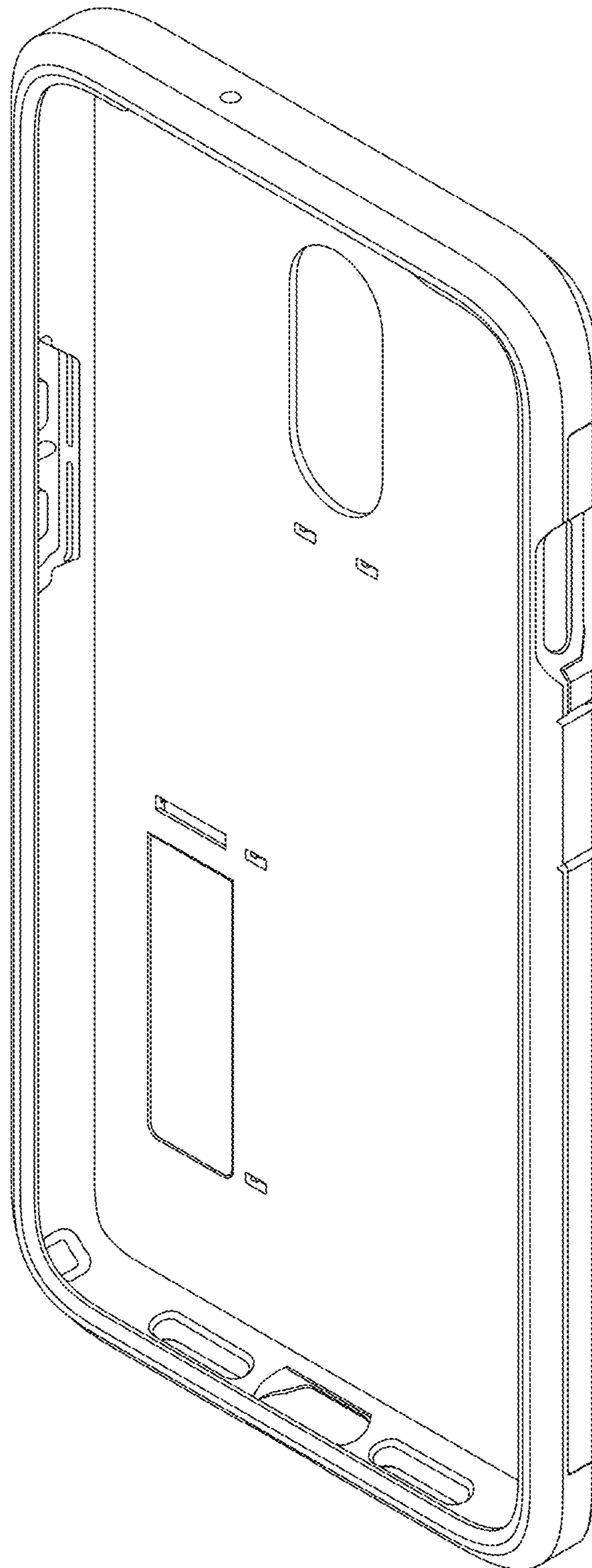


FIG. 2

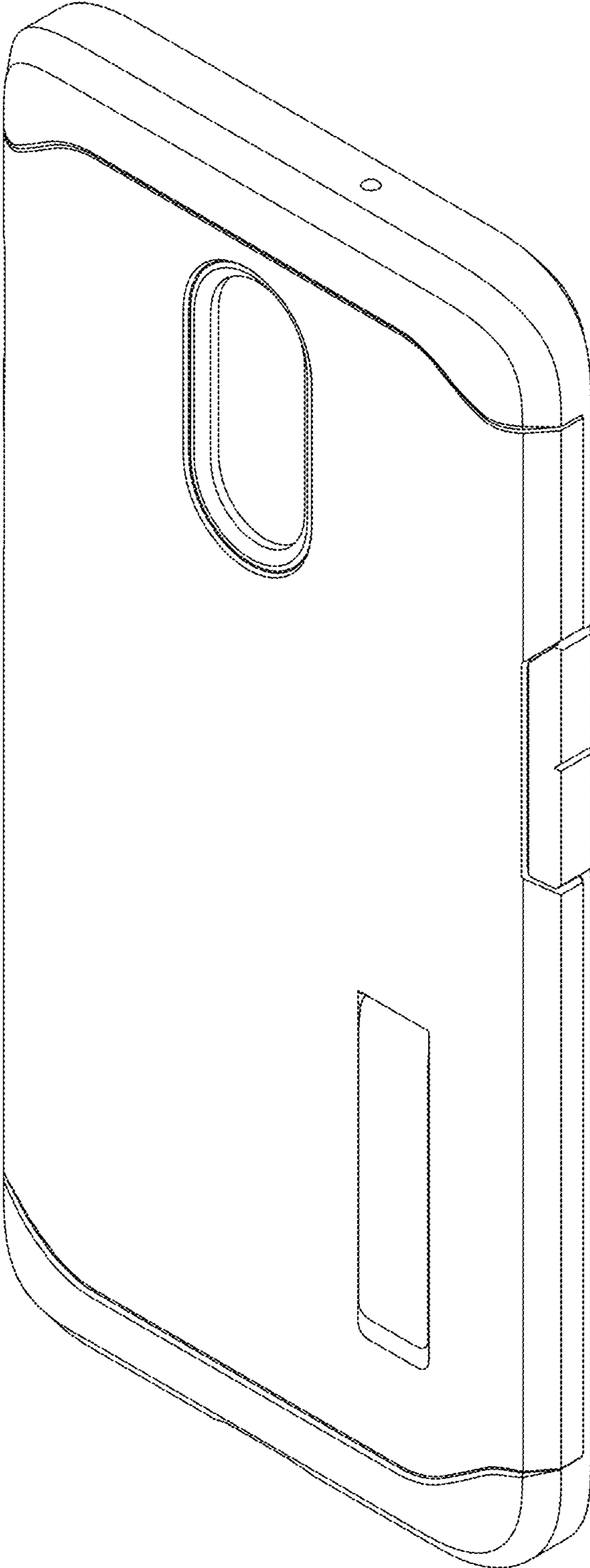


FIG. 3

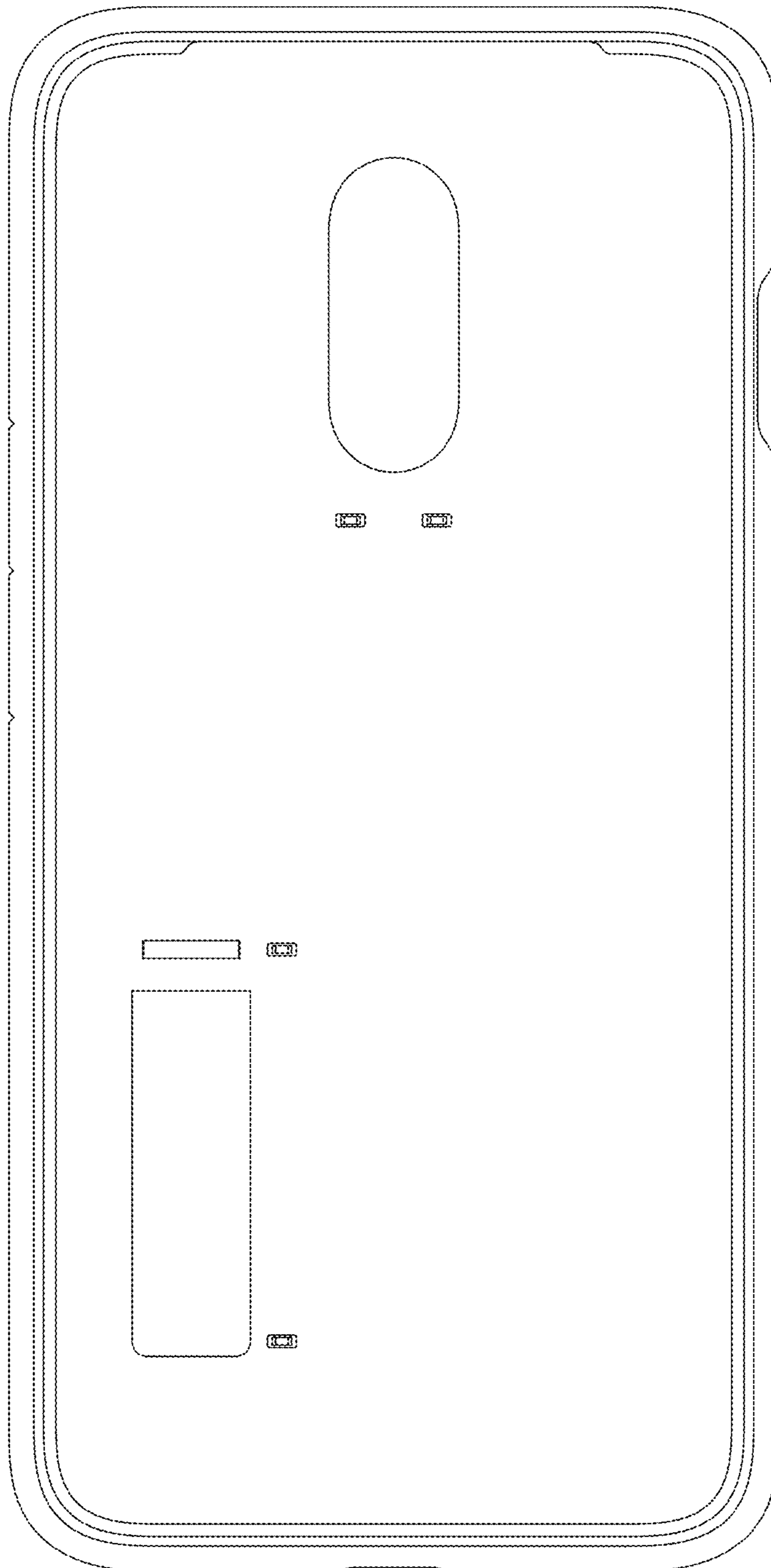


FIG. 4

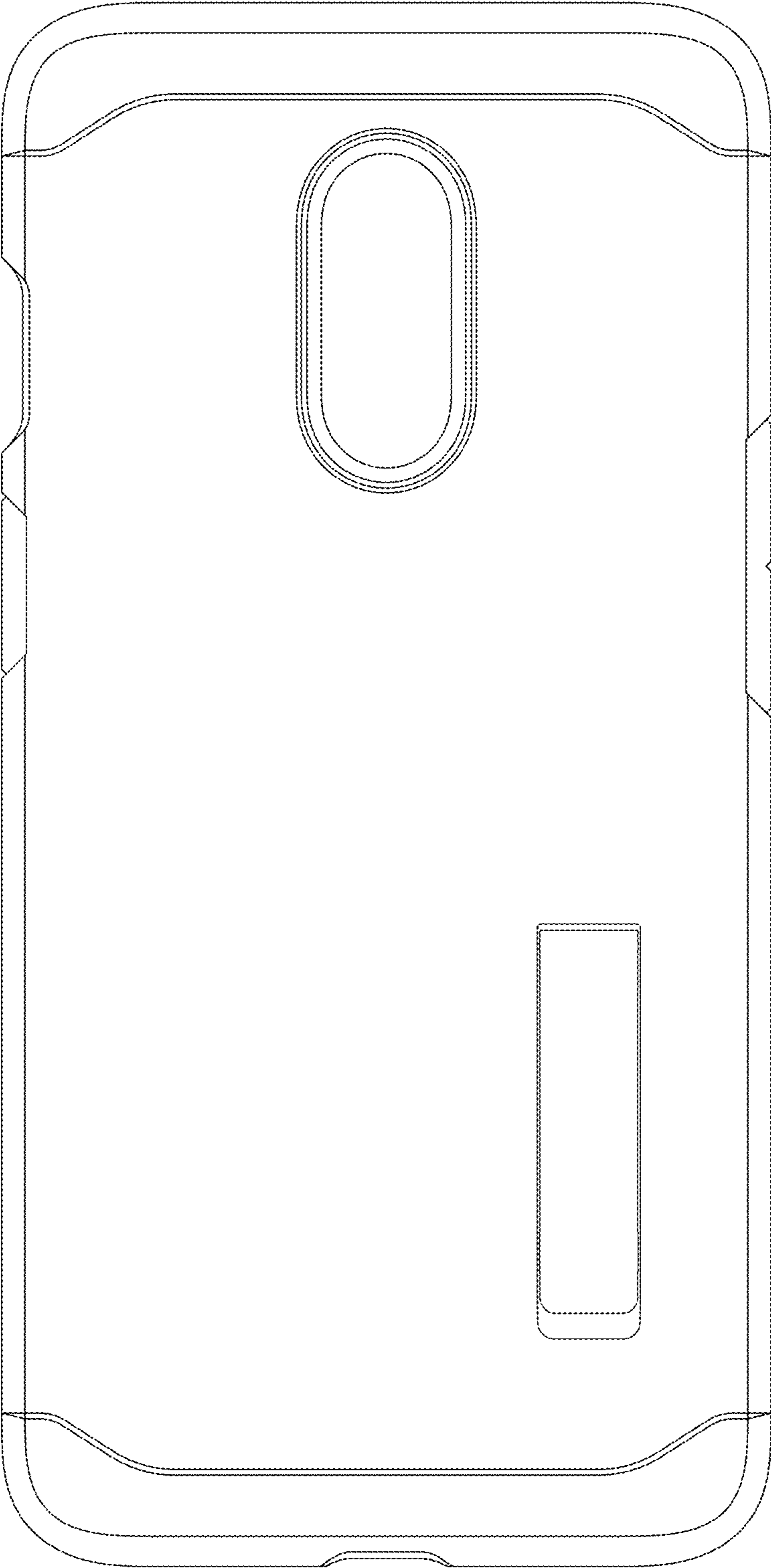


FIG. 5

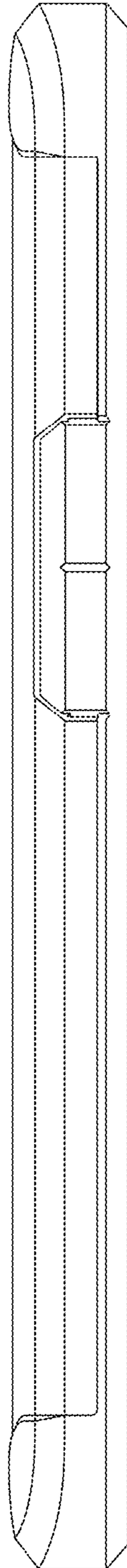


FIG. 6

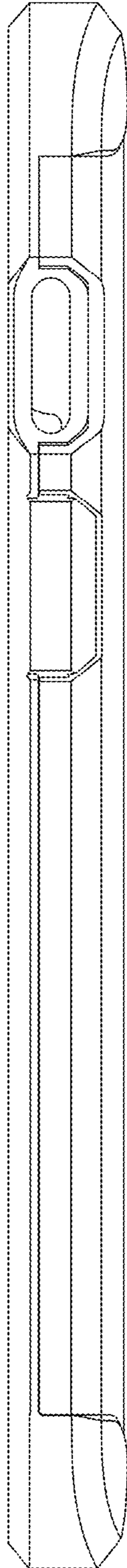


FIG. 7

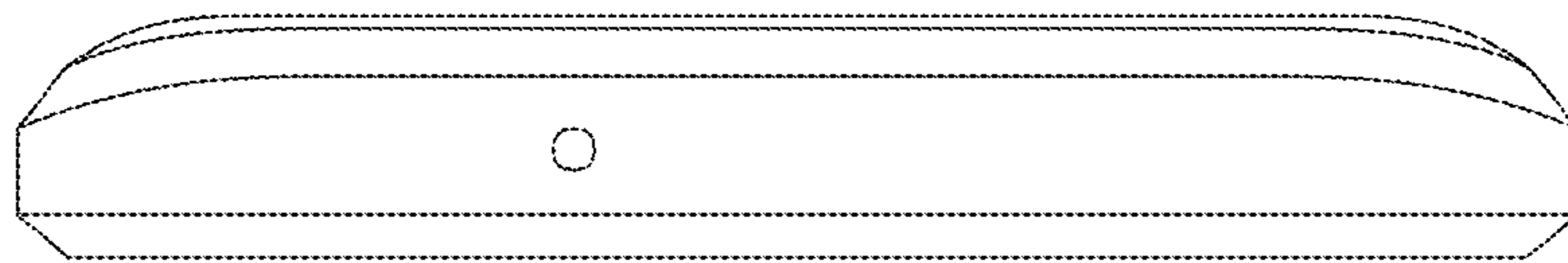


FIG. 8

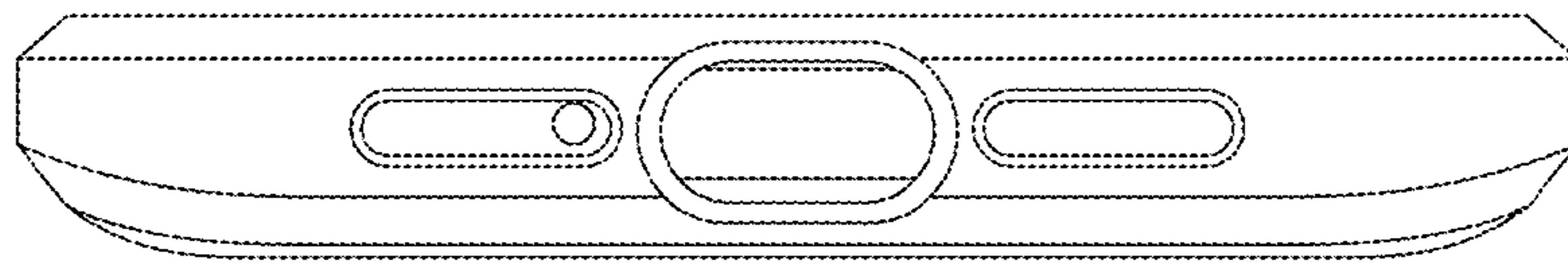


FIG. 9

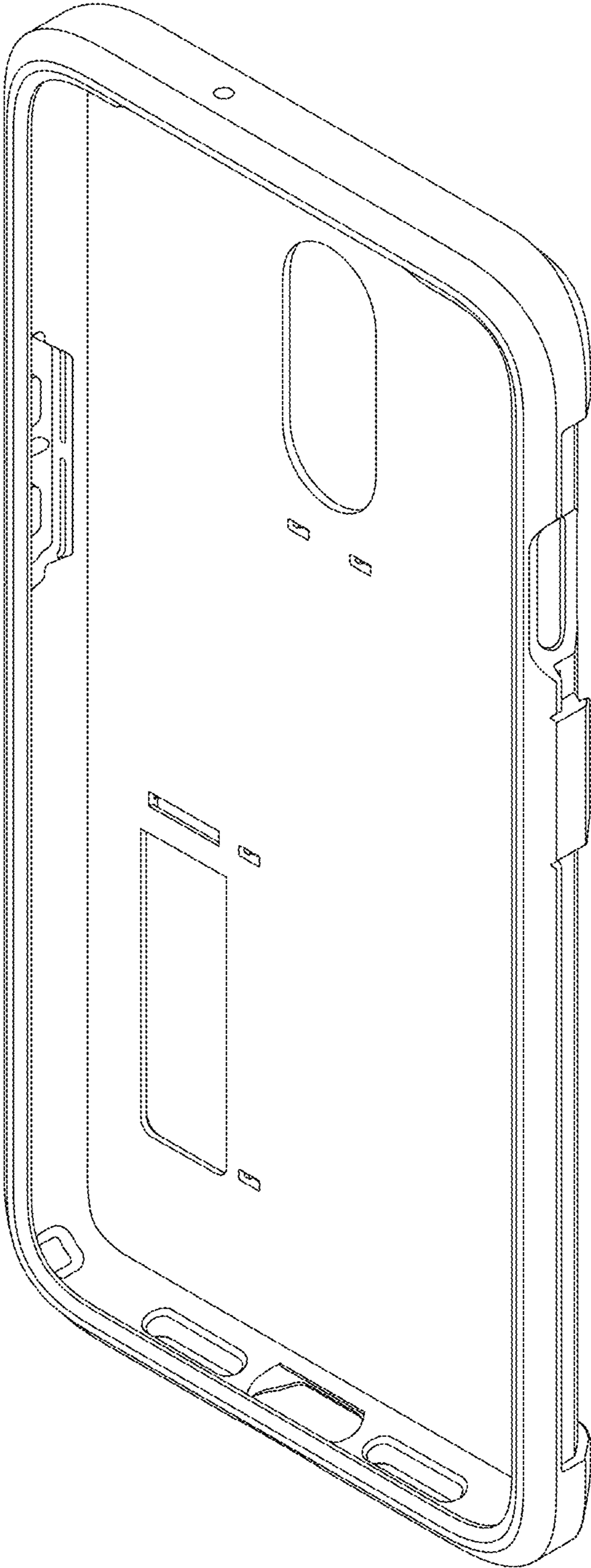


FIG. 10

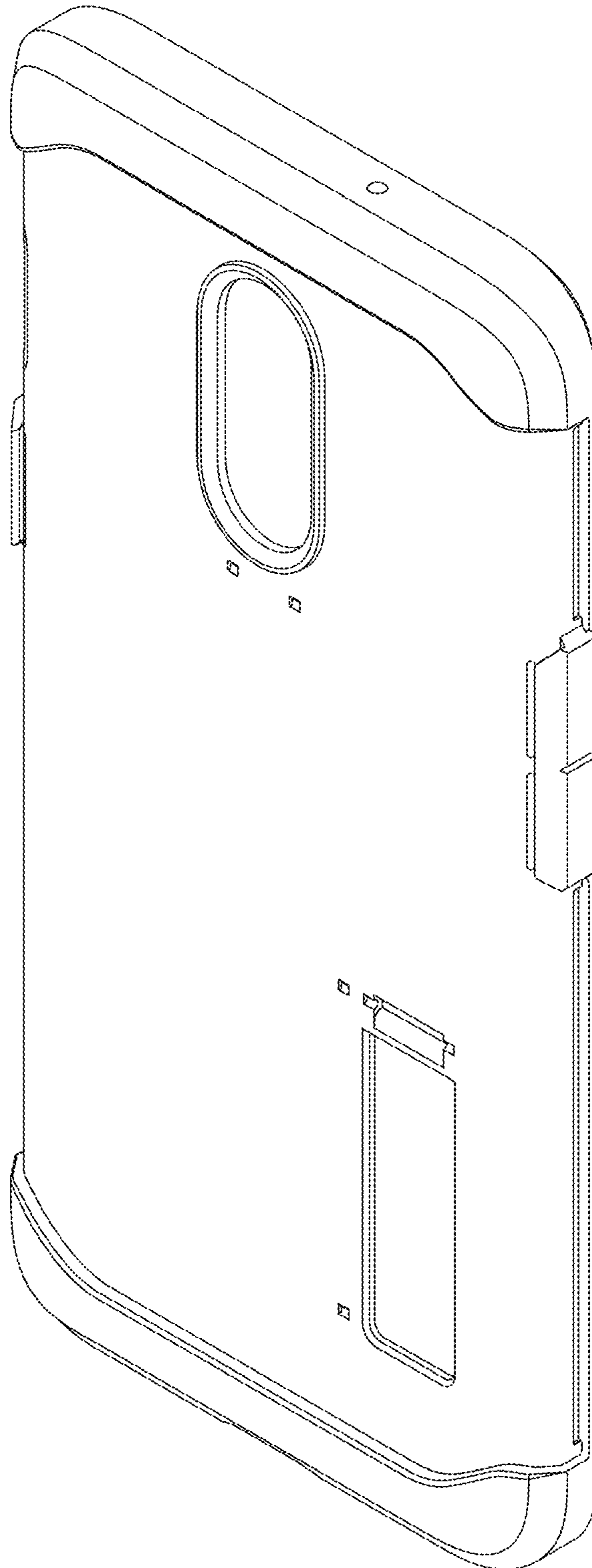


FIG. 11

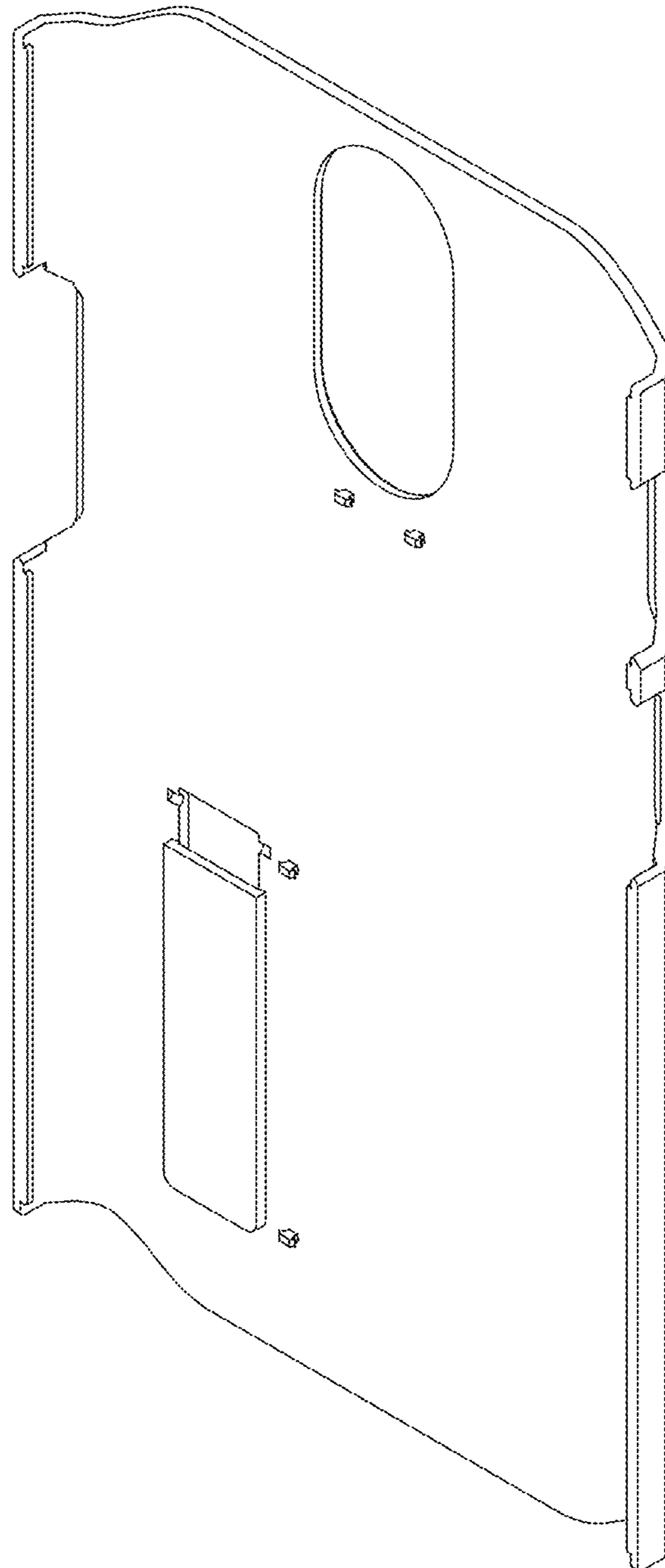


FIG. 12

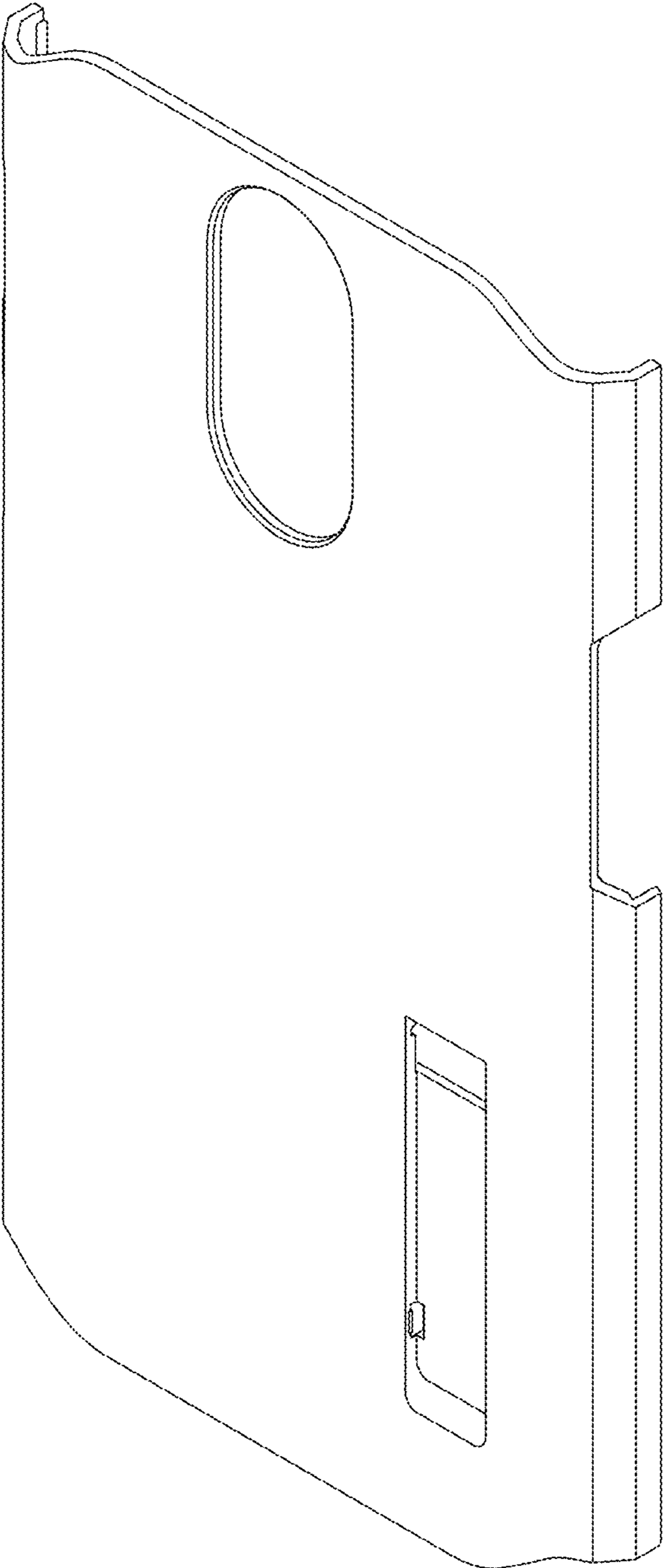


FIG. 13

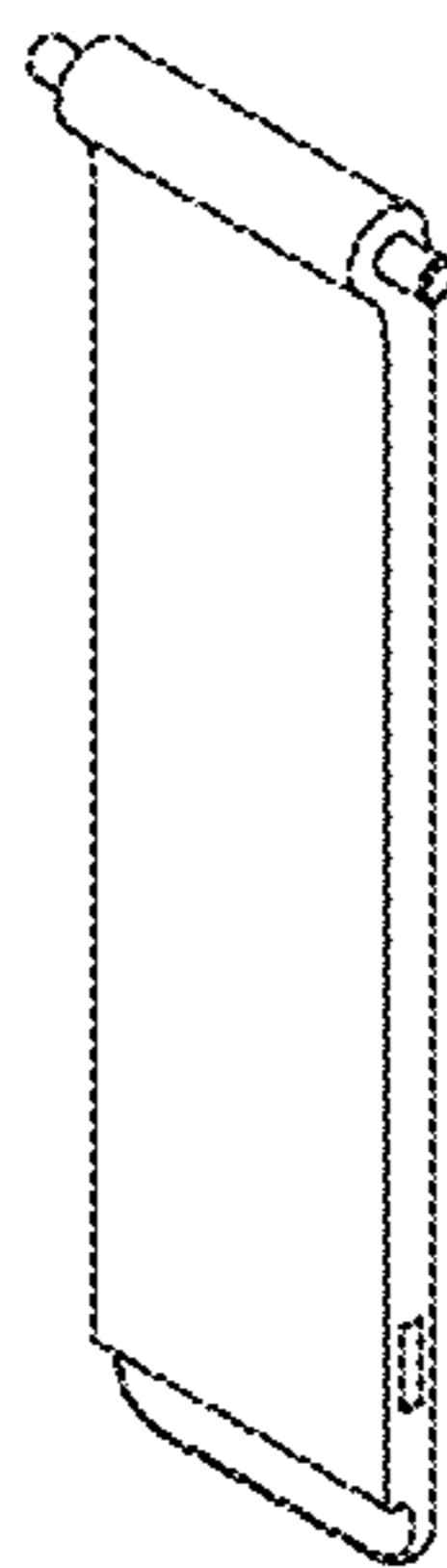


FIG. 14

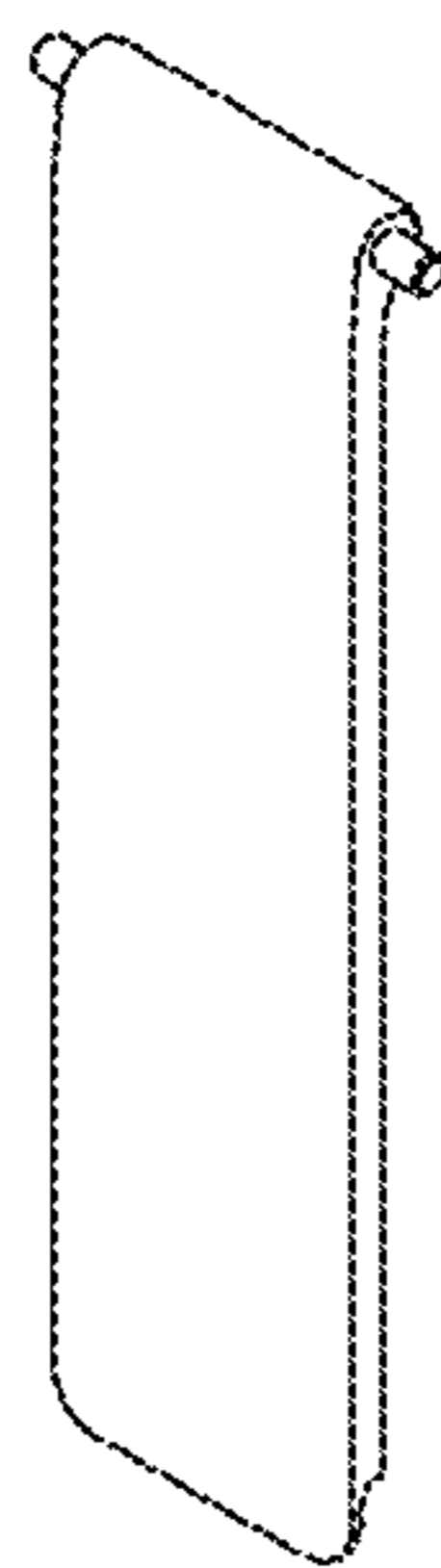


FIG. 15

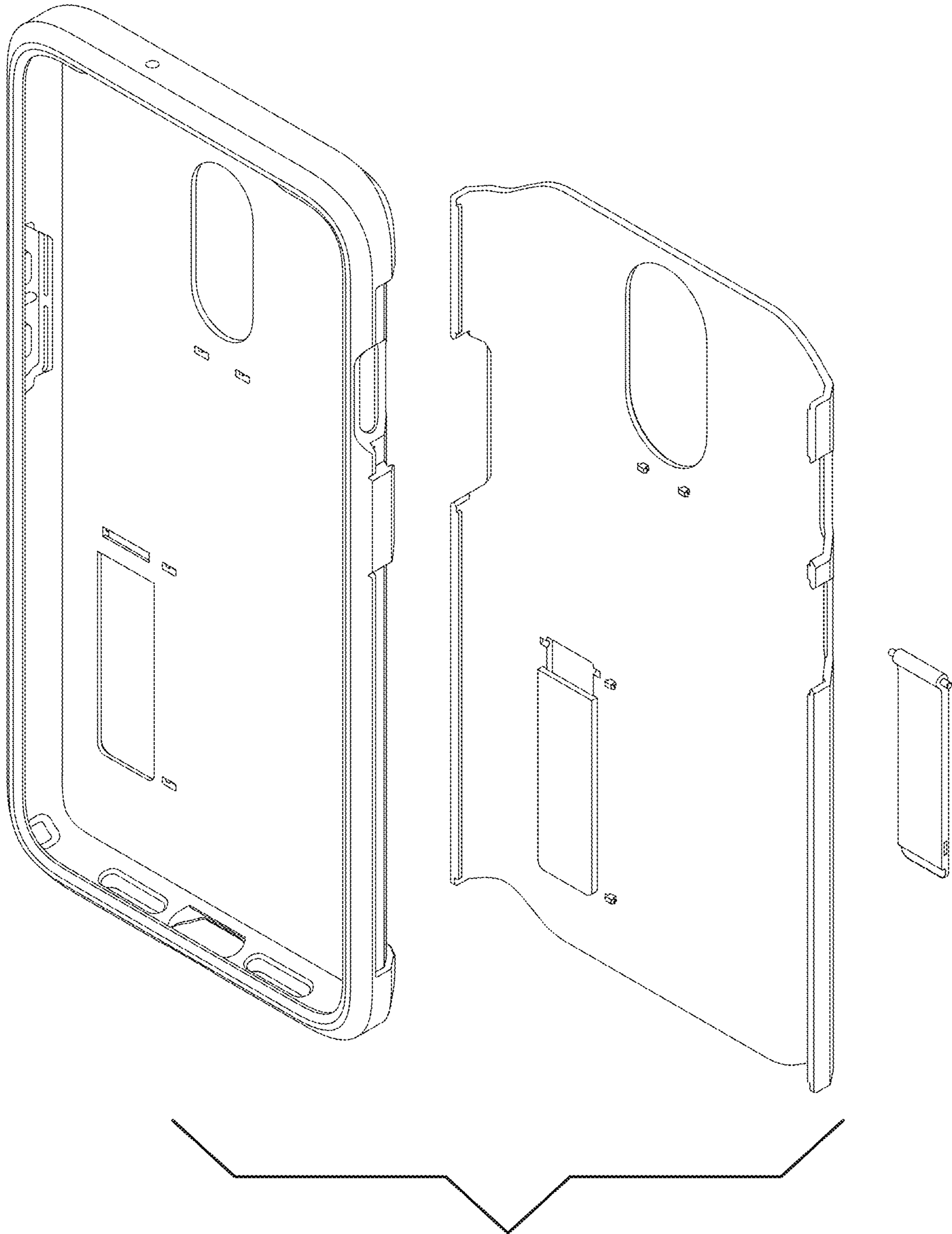


FIG. 16

