



US00D905681S

(12) **United States Design Patent** (10) **Patent No.:** **US D905,681 S**
Kim (45) **Date of Patent:** **** Dec. 22, 2020**

(54) **CASE FOR ELECTRONIC COMMUNICATIONS DEVICE**

(71) Applicant: **SPIGEN KOREA CO., LTD.**, Seoul (KR)

(72) Inventor: **Tae Heon Kim**, Seoul (KR)

(73) Assignee: **SPIGEN KOREA CO., LTD.**, Seoul (KR)

(**) Term: **15 Years**

(21) Appl. No.: **29/702,743**

(22) Filed: **Aug. 21, 2019**

(51) **LOC (12) Cl.** **14-03**

(52) **U.S. Cl.**

USPC **D14/250**

(58) **Field of Classification Search**

USPC D14/440, 203.3–203.7, 439, 238.1, D14/251–253, 447, 217, 240, 248, 250;

(Continued)

(56) **References Cited**

U.S. PATENT DOCUMENTS

D382,535 S * 8/1997 Chiang D13/103
D597,067 S 7/2009 Oh et al.

(Continued)

OTHER PUBLICATIONS

“Spigen Ultra Hybrid iPhone 7 Plus Case with Air Cushion Technology and Hybrid Drop Protection for Apple iPhone 7 Plus 2016—Crystal Clear”, <https://www.amazon.com/dp/B01GIWGFMU>, Earliest review date of Sep. 6, 2016, Downloaded on Jan. 8, 2019.

(Continued)

Primary Examiner — Carla J Wright

(74) *Attorney, Agent, or Firm* — Heedong Chae; Lucem, PC

(57) **CLAIM**

The ornamental design for a case for electronic communications device, as shown and described.

DESCRIPTION

FIG. 1 is a front perspective view of a case for electronic communications device showing my new design;

FIG. 2 is a rear perspective view thereof;

FIG. 3 is a front elevational view thereof;

FIG. 4 is a rear elevational view thereof;

FIG. 5 is a left side elevational view thereof;

FIG. 6 is a right side elevational view thereof;

FIG. 7 is a top plan view thereof;

FIG. 8 is a bottom plan view thereof;

FIG. 9 is an enlarged detail view of the encircled region of FIG. 2;

FIG. 10 is an enlarged detail view of the encircled region of FIG. 4; and,

FIG. 11 is a cross-sectional view of the case for electronic communications device taken along the line 11-11 of FIG. 4.

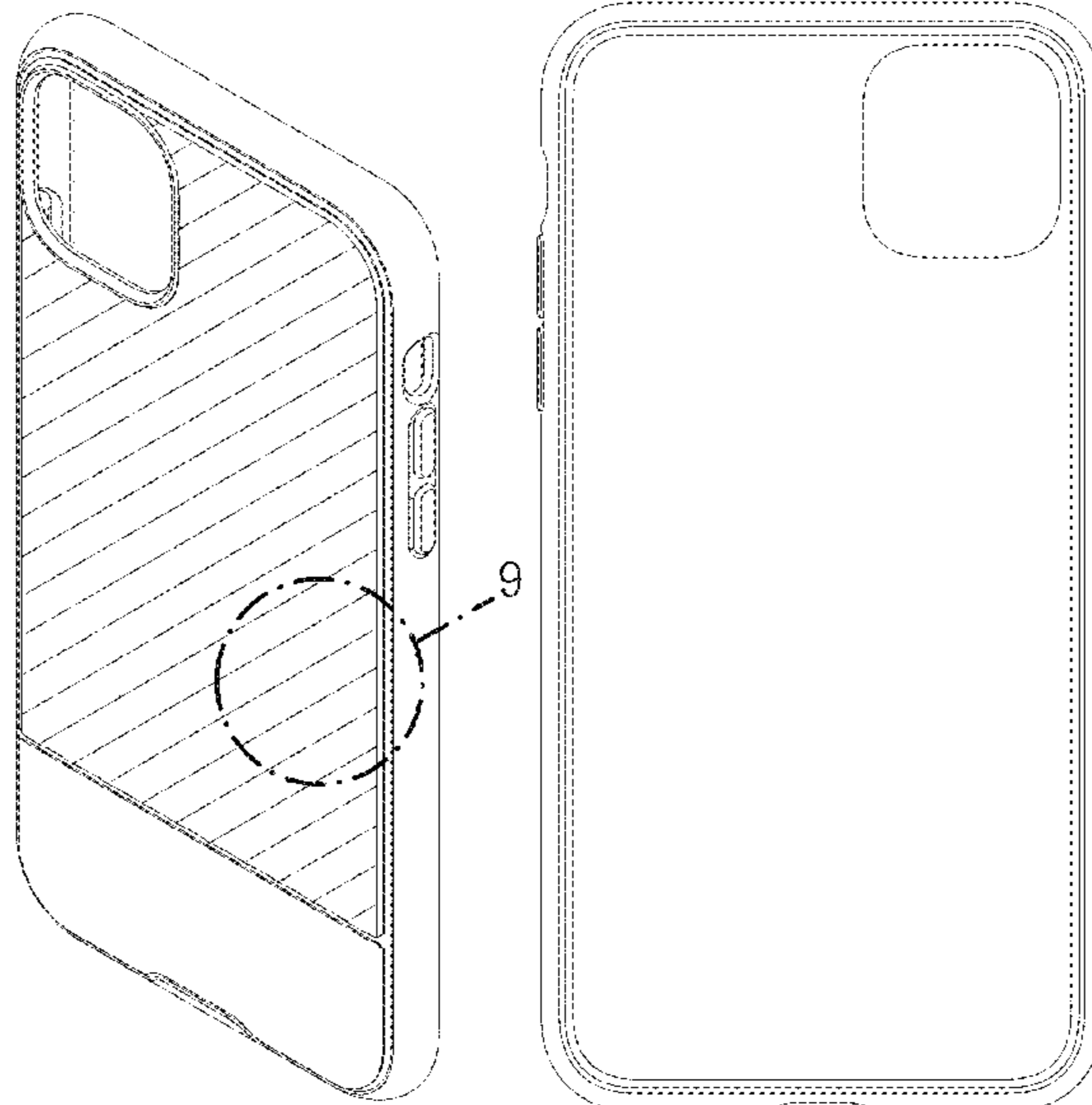
Except for the interior portions of the openings and button regions that are shown in solid lines along the interior side and bottom of the case, the interior of the case forms no part of the claimed design.

The dash-dot broken line circles in FIGS. 2, 4, and 9-10 delineate portions of the case for electronic communications device that are part of the claimed design and that are shown on an enlarged scale in FIG. 9 and 10.

The straight dot-dash dash broken line in FIG. 4 is the line along which the cross-sectional view of FIG. 11 is taken.

The straight horizontal dot-dash broken line in FIG. 11 depicts a portion of the interior surface of the case that forms no part of the claimed design, and the two straight vertical broken lines in FIG. 11 represent the edges of the portion shown in cross-section.

1 Claim, 11 Drawing Sheets



(58) **Field of Classification Search**

USPC D3/201, 218, 247, 269, 273, 301, 303;
 D13/103, 119, 107–108
 CPC H04B 1/3888; H04M 1/0283; H04M
 1/0202; A45C 1/06; A45C 11/00; A45C
 13/02; A45C 2011/002; A45F 2005/026;
 A45F 2200/0525; A45F 2200/0516
 See application file for complete search history.

D812,047 S * 3/2018 Koo D14/250
 D819,621 S 6/2018 Diebel
 D834,571 S 11/2018 Ravid
 D840,992 S * 2/2019 Kim D14/250
 D853,375 S 7/2019 Jeong et al.
 D853,376 S 7/2019 Jeong et al.
 10,362,847 B1 * 7/2019 Okada A45C 11/00
 2014/0221056 A1 * 8/2014 Gandhi H04B 1/3888
 455/575.8

(56)

References Cited

U.S. PATENT DOCUMENTS

D610,111 S * 2/2010 Kim D14/138 AA
 D617,266 S * 6/2010 Sasada D13/102
 D623,180 S 9/2010 Diebel
 D623,640 S 9/2010 Freeman
 D624,065 S 9/2010 Bosch et al.
 D626,121 S 10/2010 Richardson et al.
 D626,538 S 11/2010 Brown et al.
 D626,539 S 11/2010 Brown et al.
 D626,540 S 11/2010 Brown et al.
 D636,755 S 4/2011 Chen
 D637,589 S 5/2011 Willes et al.
 D642,169 S 7/2011 Andre et al.
 D644,218 S 8/2011 Akana et al.
 D646,265 S 10/2011 Fathollahi
 D647,084 S 10/2011 Fathollahi
 D648,332 S 11/2011 Kim et al.
 D654,068 S 2/2012 Monaco et al.
 D654,491 S 2/2012 Melanson et al.
 D655,287 S 3/2012 de Jong et al.
 D659,691 S * 5/2012 Kim D14/250
 D662,923 S 7/2012 Piedra et al.
 D669,458 S 10/2012 Wilson et al.
 D670,693 S * 11/2012 Li D14/341
 D672,739 S 12/2012 Sin
 D673,550 S 1/2013 Magness et al.
 D678,327 S * 3/2013 Lee D14/203.3
 D681,616 S 5/2013 Weller et al.
 D681,617 S 5/2013 Weller et al.
 D683,340 S * 5/2013 Chang D14/250
 8,457,701 B2 6/2013 Diebel
 D685,356 S 7/2013 Diebel
 D685,740 S * 7/2013 Moore D13/119
 D691,601 S 10/2013 Murchison et al.
 D692,419 S * 10/2013 Rayner D14/250
 D695,728 S * 12/2013 Shi D14/248
 D696,239 S 12/2013 Murchison et al.
 D703,197 S 4/2014 Melanson et al.
 D708,570 S * 7/2014 Martin D13/102
 D709,484 S 7/2014 Yoo
 D709,867 S * 7/2014 Chang D14/250
 D712,892 S 9/2014 Hong et al.
 D716,282 S * 10/2014 Melanson D14/250
 D716,779 S 11/2014 Lee et al.
 D716,783 S 11/2014 Loncar et al.
 D718,754 S 12/2014 To et al.
 D718,755 S 12/2014 To et al.
 D719,559 S 12/2014 Dukerschein et al.
 D720,733 S 1/2015 Fathollahi
 D721,360 S 1/2015 Laffon de Mazieres et al.
 D722,310 S 2/2015 Diebel
 D722,311 S 2/2015 Diebel
 D727,303 S * 4/2015 Sin D14/248
 9,004,275 B2 4/2015 Lee
 D734,250 S * 7/2015 Rennick D13/107
 D739,394 S * 9/2015 Rayner D14/250
 D740,798 S 10/2015 Poon et al.
 D751,058 S * 3/2016 Cocchia D14/250
 D757,699 S * 5/2016 Lee D14/248
 D765,643 S 9/2016 Witter et al.
 D779,470 S 2/2017 Kim et al.
 D786,232 S 5/2017 Kim et al.
 D792,877 S 7/2017 Kim et al.
 D792,878 S 7/2017 Kim et al.
 D801,323 S 10/2017 Kim
 D811,412 S * 2/2018 McCurdy D14/440

OTHER PUBLICATIONS

“Spigen Ultra Hybrid S iPhone Seven Plus Case with Air Cushion Technology and Magnetic Metal Kickstand for Apple iPhone Seven Plus Two Thousand and Sixteen Clear Black”, <https://www.amazon.com/dp/B01LRSF986>, Earliest review date of Sep. 7, 2016, Downloaded on Jan. 8, 2019.
 “Spigen Neo Hybrid Crystal iPhone 7 Plus Case with Flexible Casing and Hard Bumper Frame for Apple iPhone 7 Plus 2016—Champagne Gold”, <https://www.amazon.com/dp/B01GIWHKXI>, Earliest review date of Sep. 8, 2016, Downloaded on Dec. 18, 2018.
 “Spigen Neo Hybrid iPhone 7 Case with Flexible Inner Protection and Reinforced Hard Bumper Frame for iPhone 7 2016—Gunmetal”, <https://www.amazon.com/dp/B01GIVXKUG>, Earliest review date of Sep. 8, 2016, Downloaded on Dec. 18, 2018.
 “Spigen Ultra Hybrid S iPhone 7 Case with Air Cushion Technology and Magnetic Metal Kickstand for iPhone 7 2016—Crystal Clear”, <https://www.amazon.com/dp/B01J9DVBWE>, Earliest review date of Sep. 13, 2016, Downloaded on Jan. 8, 2019.
 “Spigen Neo Hybrid Crystal iPhone 7 Case with Flexible Inner Casing and Reinforced Hard Bumper Frame for iPhone 7 2016—Rose Gold”, <https://www.amazon.com/dp/B01GIVXVN2>, Earliest review date of Sep. 14, 2016, Downloaded on Dec. 18, 2018.
 “Spigen Neo Hybrid iPhone 7 Plus Case with Flexible Inner Protection and Hard Bumper Frame for Apple iPhone 7 Plus (2016)—Gunmetal”, <https://www.amazon.com/dp/B01GIWH6H8>, Earliest review date of Sep. 14, 2016, Downloaded on Dec. 18, 2018.
 “Spigen Neo Hybrid Google Pixel XL Case with Flexible Inner Protection and Reinforced Hard Bumper Frame for Google Pixel XL 2016—Satin Silver”, <https://www.amazon.com/dp/B01LZW1LW3>, Earliest review date of Jan. 23, 2016, Downloaded on Dec. 18, 2018.
 “Spigen Neo Hybrid Crystal Google Pixel Case with Flexible Inner Casing and Reinforced Hard Bumper Frame for Google Pixel 2016—Gunmetal”, <https://www.amazon.com/dp/B01M03SL8Y>, Earliest review date of Dec. 14, 2016, Downloaded on Dec. 20, 2018.
 “Spigen Neo Hybrid Crystal Google Pixel XL Case with Flexible Inner Casing and Reinforced Hard Bumper Frame for Google Pixel XL 2016—Gunmetal”, <https://www.amazon.com/dp/B01LZS6PON>, Earliest review date of Dec. 15, 2016, Downloaded on Dec. 18, 2018.
 “Spigen Ultra Hybrid [2nd Generation] iPhone 8 Plus Case/iPhone 7 Plus Case with Clear Protection and Air Cushion Technology for iPhone 8 Plus (2017) / iPhone 7 Plus (2016)—Crystal Clear”, <https://www.amazon.com/dp/B01MXKNPQ5>, Earliest review date of Jan. 9, 2017, Downloaded on Jan. 8, 2019.
 “Spigen Neo Hybrid Google Pixel Case with Flexible Inner Protection and Reinforced Hard Bumper Frame for Google Pixel 2016—Blue”, <https://www.amazon.com/dp/B01N3VR9EA>, Earliest review date of Jan. 10, 2017, Downloaded on Dec. 18, 2018.
 “Spigen Ultra Hybrid [2nd Generation] iPhone 7 Case/iPhone 8 Case with Air Cushion Technology for Apple iPhone 7 (2016)/ iPhone 8 (2017)—Crystal Clear”, <https://www.amazon.com/dp/B01MOUSRWG>, Earliest review date of Jan. 17, 2017, Downloaded on Jan. 8, 2019.
 “Spigen Neo Hybrid Huawei Y6 Case with Flexible Inner Protection and Reinforced Hard Bumper Frame for Huawei Y6 2015—Champagne Gold”, <https://www.amazon.com/dp/B0182SKWUO>, Earliest review date of Feb. 13, 2017, Downloaded on Dec. 18, 2018.

(56)

References Cited

OTHER PUBLICATIONS

“Spigen Neo Hybrid LG G6 Case Herringbone with Flexible Inner Protection and Reinforced Hard Bumper Frame for LG G6 (2017)—Satin Silver”, <https://www.amazon.com/dp/B01MR8C5Z7>, Earliest review date of Mar. 25, 2017, Downloaded on Dec. 18, 2018.

“Spigen Neo Hybrid Galaxy S8 Plus Case Herringbone with Flexible Inner Protection and Reinforced Hard Bumper Frame for Galaxy S8 Plus (2017)—Gunmetal”, <https://www.amazon.com/dp/B06XP6CRP5>, Earliest review date of Apr. 2, 2017, Downloaded on Dec. 18, 2018.

“Spigen Neo Hybrid Galaxy S8 Case Herringbone with Flexible Inner Protection and Reinforced Hard Bumper Frame for Samsung Galaxy S8 (2017)—Gunmetal”, <https://www.amazon.com/dp/B06XP521V1>, Earliest review date of Apr. 6, 2017, Downloaded on Dec. 18, 2018.

“Spigen Neo Hybrid Crystal Glitter Galaxy S8 Case with Flexible Inner Casing and Reinforced Hard Bumper Frame for Samsung Galaxy S8 (2017)—Space Quartz”, <https://www.amazon.com/dp/B06XP5KTXN>, Earliest review date of Apr. 15, 2017, Downloaded on Dec. 18, 2018.

“Spigen Neo Hybrid Crystal Galaxy S8 Plus Case with Clear Hard Casing and Reinforced Hard Bumper Frame for Galaxy S8 Plus (2017)—Gunmetal”, <https://www.amazon.com/dp/B06XP5HHV1>, Earliest review date of Apr. 20, 2017, Downloaded on Dec. 18, 2018.

“Spigen Neo Hybrid Crystal Glitter Galaxy S8 Plus Case with Flexible Inner Protection and Reinforced Hard Bumper Frame for Galaxy S8 Plus (2017)—Space Quartz”, <https://www.amazon.com/dp/B06XNW4WS9>, Earliest review date of Apr. 20, 2017, Downloaded on Dec. 18, 2018.

“Spigen Neo Hybrid Crystal Galaxy S6 Edge Plus Case with Flexible Inner Casing and Reinforced Hard Bumper Frame for Galaxy S6 Edge Plus 2015—Blue Topaz”, <https://www.amazon.com/dp/B010MWIIXQ>, Earliest review date of Jun. 25, 2017, Downloaded on Dec. 18, 2018.

“Spigen Neo Hybrid OnePlus 5 Case with Flexible Inner Protection and Reinforced Hard Bumper Frame for OnePlus 5 (2017)—Gunmetal”, <https://www.amazon.com/dp/B06XG24Q98>, Earliest review date of Aug. 23, 2017, Downloaded on Dec. 18, 2018.

“Spigen Neo Hybrid Galaxy Note 8 Case with Herringbone Flexible Inner Protection and Reinforced Hard Bumper Frame for Galaxy Note 8 (2017)—Gunmetal”, <https://www.amazon.com/dp/B073RWTZ5V>, Earliest review date of Aug. 27, 2017, Downloaded on Dec. 18, 2018.

“Spigen Neo Hybrid Crystal Galaxy Note 8 Case with Clear Hard Casing and Reinforced Hard Bumper Frame for Galaxy Note 8 (2017)—Gunmetal”, <https://www.amazon.com/dp/B073R79115>, Earliest review date of Aug. 28, 2017, Downloaded on Dec. 18, 2018.

“Spigen Neo Hybrid Herringbone iPhone 8 Plus Case/iPhone 7 Plus Case with Hard Bumper Frame for Apple iPhone 8 Plus (2017) / Apple iPhone 7 Plus (2016)—Black & Gunmetal”, <https://www.amazon.com/dp/B07482D1JW>, Earliest review date of Sep. 12, 2017, Downloaded on Dec. 18, 2018.

“Spigen Neo Hybrid [2nd Generation] iPhone 8 Plus Case/iPhone 7 Plus Case with Hard Frame for Apple iPhone 8 Plus (2017) / Apple iPhone 7 Plus (2016)—Gunmetal”, <https://www.amazon.com/dp/B07519W92L>, Earliest review date of Sep. 14, 2017, Downloaded on Dec. 18, 2018.

“Spigen Neo Hybrid Herringbone iPhone 8 Case/iPhone 7 Case with Flexible Inner Protection and Reinforced Hard Bumper Frame for Apple iPhone 8 (2017) / iPhone 7 (2016)—Gunmetal”, <https://www.amazon.com/dp/B07482P44X>, Earliest review date of Sep. 20, 2017, Downloaded on Dec. 18, 2018.

“Spigen Neo Hybrid Crystal [2nd Generation] iPhone 8 Case/iPhone 7 Case with Clear Hard Casing and Reinforced Hard Bumper Frame for Apple iPhone 8 (2017) / iPhone 7 (2016)—Gunmetal”, <https://www.amazon.com/dp/B0751C7FF2>, Earliest review date of Sep. 22, 2017, Downloaded on Dec. 18, 2018.

“Spigen Neo Hybrid Crystal [2nd Generation] iPhone 8 Plus Case/iPhone 7 Plus Case with Clear Casing and Hard Bumper

Frame for Apple iPhone 8 Plus (2017) / Apple iPhone 7 Plus (2016)—Rose Gold”, <https://www.amazon.com/dp/B0751D3JTL>, Earliest review date of Sep. 23, 2017, Downloaded on Dec. 18, 2018.

“Spigen Neo Hybrid [2nd Generation] iPhone 8 Case/iPhone 7 Case with Flexible Inner Protection and Reinforced Hard Bumper Frame for Apple iPhone 8 (2017) / iPhone 7 (2016)—Gunmetal”, <https://www.amazon.com/dp/B074Z51MBW>, Earliest review date of Sep. 24, 2017, Downloaded on Dec. 18, 2018.

“Spigen Neo Hybrid Crystal iPhone X Case with Clear Hard Casing and Reinforced Hard Bumper Frame for Apple Phone X (2017)—Satin Silver”, <https://www.amazon.com/dp/B074CMZ6YV>, Earliest review date of Oct. 5, 2017, Downloaded on Dec. 18, 2018.

“Spigen Neo Hybrid LG V30 Case / V30S / V30 Plus Case Herringbone with Flexible Inner Protection and Reinforced Hard Bumper Frame for LG V30 (2017)—Satin Silver”, <https://www.amazon.com/dp/B072QZTQWC>, Earliest review date of Oct. 6, 2017, Downloaded on Dec. 18, 2018.

“Spigen Neo Hybrid iPhone X Case Herringbone with Flexible Inner Protection and Reinforced Hard Bumper Frame for Apple iPhone X (2017)—Black & Gunmetal”, <https://www.amazon.com/dp/B074CMNSXV>, Earliest review date of Oct. 20, 2017, Downloaded on Dec. 17, 2018.

“Spigen Neo Hybrid Herringbone Google Pixel 2 XL Case with Flexible Inner Protection and Reinforced Hard Bumper Frame for Google Pixel 2 XL (2017)—Gunmetal”, <https://www.amazon.com/dp/B07474WTTCG>, Earliest review date of Oct. 30, 2017, Downloaded on Dec. 18, 2018.

“Spigen Neo Hybrid Huawei P10 Lite Case with Flexible Inner Protection and Reinforced Hard Bumper Frame for Huawei P10 Lite (2017)—Champagne Gold”, <https://www.amazon.com/dp/B06XD1Z6XW>, Earliest review date of Oct. 30, 2017, Downloaded on Dec. 18, 2018.

“Spigen Neo Hybrid Herringbone Google Pixel 2 Case with Flexible Inner Protection and Reinforced Hard Bumper Frame for Google Pixel 2 (2017)—Gunmetal”, <https://www.amazon.com/dp/B0746Z1KYN>, Earliest review date of Nov. 2, 2017, Downloaded on Dec. 18, 2018.

“Spigen Neo Hybrid Galaxy S9 Plus Case with Flexible Herringbone Pattern Protection and Reinforced Hard Bumper Frame for Samsung Galaxy S9 Plus (2018)—Gunmetal”, <https://www.amazon.com/dp/B0789S2LZH>, Earliest review date of Mar. 4, 2018, Downloaded on Dec. 18, 2018.

“Spigen Neo Hybrid Galaxy S9 Case with Flexible Herringbone Pattern Protection and Reinforced Hard Bumper Frame for Samsung Galaxy S9 (2018)—Gunmetal”, <https://www.amazon.com/dp/B078BFJ2YR>, Earliest review date of Mar. 7, 2018, Downloaded on Dec. 18, 2018.

“Spigen Neo Hybrid NC Galaxy S9 Case with Disassemblable Top and Bottom Frames with Clear Rigid Back for 2018 Samsung Galaxy S9—Lilac Purple”, <https://www.amazon.com/dp/B07CZ7WJLR>, Earliest review date of Apr. 25, 2018, Downloaded on Dec. 18, 2018.

“Spigen Neo Hybrid NC Galaxy S9 Plus Case with Disassemblable Top and Bottom Frames with Clear Rigid Back for 2018 Samsung Galaxy S9 Plus—Lilac Purple”, <https://www.amazon.com/dp/B07CZ98B53>, Earliest review date of Apr. 25, 2018, Downloaded on Dec. 18, 2018.

“Spigen Neo Hybrid Galaxy A8 Case with Flexible Inner Protection and Reinforced Hard Bumper Frame for Galaxy A8 (2018)—Gunmetal”, <https://www.amazon.com/dp/B077MW27DR>, Earliest review date of Apr. 27, 2018, Downloaded on Dec. 18, 2018.

“Spigen Neo Hybrid LG G7 Case/LG G7 ThinQ Case with Flexible Herringbone Pattern Protection and Reinforced Hard Bumper Frame for LG G7 ThinQ (2018)—Gunmetal”, <https://www.amazon.com/dp/B078MPT645>, Earliest review date of Jun. 4, 2018, Downloaded on Dec. 18, 2018.

“Spigen Neo Hybrid Designed for Galaxy Note 9 Case (2018)—Ocean Blue”, <https://www.amazon.com/dp/B07GDT2M7X>, Earliest review date of Aug. 14, 2018, Downloaded on Dec. 18, 2018.

“Spigen Neo Hybrid iPhone 6S Case with Flexible Inner Protection and Reinforced Hard Bumper Frame for iPhone 6S 2015—

(56)

References Cited

OTHER PUBLICATIONS

Gunmetal”, <https://www.amazon.com/dp/B010MVIZTE>, Earliest review date of Sep. 1, 2019, Downloaded on Dec. 18, 2018.

“Gold Apple iPhone 5 5S Hubrid Shockproof Hard Bumper Spft Case Cover Skin”, <https://www.nywatchstore.com/goapip55shys.html>, Earliest review date of Mar. 21, 2016, Downloaded on Jan. 22, 2019.

“Installation video of SGP Neo Hybrid Case”, <https://www.youtube.com/watch?v=mVASro4MsEg>, Downloaded Oct. 30, 2009.

“Installation video of SGP Neo Hybrid2”, https://www.youtube.com/watch?v=y5_NdOVOfZo, Downloaded May 25, 2010.

“Installation video of SGP Neo Hybrid EX on iPhone 4”, <https://www.youtube.com/watch?v=Z-IRDIH1w0E>, Downloaded Sep. 3, 2010.

“SGP Neo Hybrid Matte Series Case for the iPhone 4”, <https://www.youtube.com/watch?v=fOH74451I-8>, Downloaded Sep. 22, 2010.

“SGP iPhone 4 Case Neo Hybrid Matte Series Gun Metal”, <https://www.amazon.com/dp/B004F1IQ7E>, Earliest review date of Dec. 3, 2010, Downloaded on Aug. 15, 2018.

“Installation video of SGP Neo Hybrid on iPhone 4”, <https://www.youtube.com/watch?v=GnVusVoDrOc>, Downloaded Dec. 15, 2010.

“Installation video of SGP Case Neo Hybrid EX on Galaxy S2”, <https://www.youtube.com/watch?v=ZPhSIAUxXWg>, Downloaded Aug. 24, 2011.

“Spigen SGP Neo Hybrid 2S iPhone 4s & Neo Hybrid Galaxy S2 LTE”, <https://www.youtube.com/watch?v=SLzDq11dyiY>, Downloaded Nov. 21, 2011.

“Spigen SGP Neo Hybrid case for iphone 4S”, <https://www.youtube.com/watch?v=nLvfpPhRyX3g>, Downloaded Nov. 22, 2011.

“Neo Hybrid Case for Galaxy S3”, <https://www.youtube.com/watch?v=lgpahRniVkU>, Downloaded Jun. 27, 2012.

“Installation video of Spigen SGP Case Neo Hybrid EX on iPhone 5”, <https://www.youtube.com/watch?v=X2GAS9FT6U4>, Downloaded Oct. 11, 2012.

“Spigen Neo Hybrid Galaxy S4 Case with Flexible Inner Protection and Reinforced Hard Bumper Frame for Galaxy S4 2013—Dante Red”, <https://www.amazon.com/dp/B00BYJXI1Y>, Earliest review date of May 9, 2013, Downloaded on Jan. 22, 2019.

“Spigen Neo Hybrid iPhone 5 & 5s Case Review”, <https://www.youtube.com/watch?v=vTvTYZfSmal>, Downloaded Jul. 21, 2013.

“Spigen SGP Neo Hybrid for Galaxy Note 3 Review”, <https://www.youtube.com/watch?v=W80JtBDSckK>, Downloaded Nov. 3, 2013.

“Spigen Neo Hybrid Galaxy S5 Case with Flexible Inner Protection and Reinforced Hard Bumper Frame for Samsung Galaxy S5 2014—Electric Blue”, <https://www.amazon.com/dp/B00I3UWJJY>, Earliest review date of Apr. 12, 2014, Downloaded on Jan. 22, 2019.

“Spigen Ultra Hybrid iPhone 6 Case with Air Cushion Technology and Hybrid Drop Protection for iPhone 6S/ iPhone 6—Crystal Clear”, <https://www.amazon.com/dp/B00JH88D10>, Earliest review date of Jul. 10, 2014, Downloaded on Dec. 28, 2018.

“Spigen Neo Hybrid iPhone 6 Case with Flexible Inner Protection and Reinforced Hard Bumper Frame for iPhone 6S / iPhone 6—Gunmetal”, <https://www.amazon.com/dp/B00LL6ZPXY>, Earliest review date of Aug. 28, 2014, Downloaded on Dec. 18, 2018.

“Spigen Neo Hybrid EX iPhone 6 Case with Flexible Inner Bumper and Reinforced Hard Frame for iPhone 6S/iPhone 6—EX Satin Silver”, <https://www.amazon.com/dp/B00LL6RZ3C>, Earliest review date of Sep. 6, 2014, Downloaded on Dec. 18, 2018.

“Spigen Neo Hybrid Nexus 6 Case with Flexible Inner Protection and Reinforced Hard Bumper Frame for Google Nexus 6 2014—Dante Red”, <https://www.amazon.com/dp/B00OH4HKGC>, Earliest review date of Nov. 16, 2014, Downloaded on Dec. 18, 2018.

“Spigen Neo Hybrid Galaxy S6 Case with Flexible Inner Protection and Reinforced Hard Bumper Frame for Galaxy S6 2015—Satin Silver”, <https://www.amazon.com/dp/B00QU4Q31A>, Earliest review date of Mar. 6, 2015, Downloaded on Dec. 18, 2018.

“Spigen Neo Hybrid Galaxy S6 Edge Case with Flexible Inner Protection and Reinforced Hard Bumper Frame for Galaxy S6 Edge

2015—Gunmetal”, <https://www.amazon.com/dp/B00SV635BG>, Earliest review date of Mar. 19, 2015, Downloaded on Dec. 18, 2018.

“Spigen Neo Hybrid CC Galaxy S6 Case with Flexible Inner Casing and Reinforced Hard Bumper Frame for Galaxy S6 2015—Satin Silver”, <https://www.amazon.com/dp/B00UMDOZLU>, Earliest review date of Mar. 25, 2015, Downloaded on Dec. 18, 2018.

“Spigen Neo Hybrid CC Galaxy S6 Edge Case with Flexible Inner Casing and Reinforced Hard Bumper Frame for Galaxy S6 Edge 2015—Blue Topaz”, <https://www.amazon.com/dp/B00USAPGKQ>, Earliest review date of Apr. 4, 2015, Downloaded on Dec. 18, 2018.

“Spigen Neo Hybrid Carbon Galaxy S6 Edge Plus Case with Carbon Fiber Design and Reinforced Hard Bumper Frame for Galaxy S6 Edge Plus 2015—Dante Red”, <https://www.amazon.com/dp/B010MWHZS0>, Earliest review date of Aug. 18, 2015, Downloaded on Dec. 18, 2018.

“Spigen Neo Hybrid Crystal Galaxy Note 5 Case with Flexible Inner Casing and Reinforced Hard Bumper Frame for Galaxy Note 5 2015—Champagne Gold”, <https://www.amazon.com/dp/B010MWIG1K>, Earliest review date of Aug. 22, 2015, Downloaded on Dec. 18, 2018.

“iPhone 6S Case, Spigen [Neo Hybrid EX] Premium Bumper [Rose Gold] Clear TPU / PC Frame Slim Dual Layer Premium Case for iPhone 6 (2014) / 6S (2015)—Rose Gold (SGP11725)”, <https://www.amazon.com/dp/B012PKV30S>, Earliest review date of Aug. 28, 2015, Downloaded on Dec. 18, 2018.

“Spigen Ultra Hybrid iPhone 6S Case with Air Cushion Technology and Hybrid Drop Protection for iPhone 6S/ iPhone 6—Crystal Clear”, <https://www.amazon.com/dp/B010MVJNTK>, Earliest review date of Aug. 31, 2015, Downloaded on Dec. 28, 2018.

“Spigen Neo Hybrid Carbon iPhone 6s Case with Carbon Fiber Design and Reinforced Hard Bumper Frame for Apple iPhone 6s / iPhone 6 (2015)—Reventon Yellow”, <https://www.amazon.com/dp/B010MVJ508>, Earliest review date of Sep. 1, 2015, Downloaded on Dec. 18, 2018.

“Spigen Neo Hybrid EX iPhone 6S Plus Case with Flexible Inner Bumper and Reinforced Hard Frame for iPhone 6S Plus/iPhone 6 Plus—Champagne Gold”, <https://www.amazon.com/dp/B010MVR16>, Earliest review date of Sep. 4, 2015, Downloaded on Dec. 18, 2018.

“iPhone 6S Plus Case, Caseology [Wavelength Series] Slim Fit Military-Grade Drop Protection [Navy Blue] for Apple iPhone 6S Plus (2015) & iPhone 6 Plus (2014)”, <https://www.amazon.com/dp/B013W2C77G>, Earliest review date of Sep. 10, 2015, Downloaded on Mar. 13, 2018.

“Spigen Neo Hybrid Carbon iPhone 6S Plus Case with Carbon Fiber Design and Reinforced Hard Bumper Frame for iPhone 6S Plus 2015—Gunmetal”, <https://www.amazon.com/dp/B010MVRGMQ>, Earliest review date of Sep. 11, 2015, Downloaded on Dec. 18, 2018.

“iPhone 6s Plus Case, Spigen [Ultra Hybrid] Air Cushion [Crystal Clear] Clear back panel + TPU bumper for iPhone 6 Plus (2014)/ 6s Plus (2015)—Crystal Clear (SGP11644)”, <https://www.amazon.com/dp/B010MVRC20>, Earliest review date of Sep. 15, 2015, Downloaded on Jan. 4, 2019.

“iPhone SE Case, for Apple iPhone 5S/5 Case, Rock [Royce] Antiscratch Drop Protection Slim Fit Dual Layered Heavy Duty Armor Hybrid Hard PC + Soft TPU Protective Shell Case Champagne Gold/Black”, <https://www.amazon.com/dp/B014A8AM7I>, Earliest review date of Oct. 16, 2015, Downloaded on Jan. 30, 2019.

“Spigen Neo Hybrid EX Nexus 6P Case with Flexible Inner Bumper and Reinforced Hard Frame for Nexus 6P 2015—Gunmetal”, <https://www.amazon.com/dp/B018418Z4W>, Earliest review date of Oct. 20, 2015, Downloaded on Dec. 18, 2018.

“Spigen Ultra Hybrid Tech iPhone 6S Plus Case with Bumper Protection for iPhone 6S Plus 2015—Crystal White”, <https://www.amazon.com/dp/B013TKNIOC>, Earliest review date of Oct. 26, 2015, Downloaded on Jan. 4, 2019.

George Tinari, “Caseology review: Testing 4 of the nicest iPhone 6s cases available”, <http://www.cultofmac.com/Category/Reviews/>, Downloaded on Nov. 28, 2015.

“Spigen Neo Hybrid Crystal Galaxy S7 Edge Case with Flexible Inner Casing and Reinforced Hard Bumper Frame for Samsung

(56)

References Cited

OTHER PUBLICATIONS

Galaxy S7 Edge 2016—Satin Silver”, <https://www.amazon.com/dp/B01A7IDQV4>, Earliest review date of Feb. 22, 2016, Downloaded on Dec. 18, 2018.

“Spigen Neo Hybrid Galaxy S7 Case with Flexible Inner Protection and Reinforced Hard Bumper Frame for Samsung Galaxy S7 2016—Gunmetal”, <https://www.amazon.com/dp/B01B116J0E>, Earliest review date of Feb. 27, 2016, Downloaded on Dec. 18, 2018.

“Spigen Neo Hybrid Galaxy S7 Edge Case with Flexible Inner Protection and Reinforced Hard Bumper Frame for Samsung Galaxy S7 Edge 2016—Satin Silver”, <https://www.amazon.com/dp/B01B116JMM>, Earliest review date of Feb. 27, 2016, Downloaded on Dec. 18, 2018.

“Spigen Neo Hybrid Crystal Galaxy S7 Case with Flexible Inner Casing and Reinforced Hard Bumper Frame for Samsung Galaxy S7 2016—Champagne Gold”, <https://www.amazon.com/dp/B01B29WCOY>, Earliest review date of Mar. 3, 2016, Downloaded on Dec. 18, 2018.

“Rock PC+TPU Neo Hybrid Durable Slim Armor cover case for iPhone SE Plus”, <https://www.ebay.com/itm/Rock-PC-TPU-Neo-Hybrid-Durable-Slim-Armor-cover-case-for-iphone-X-6S-5S-SE-Plus-/111952466831>, Earliest review date of Mar. 30, 2016, Downloaded on Mar. 9, 2018.

“Spigen Neo Hybrid iPhone SE Case with Flexible Inner Protection and Reinforced Hard Bumper Frame for iPhone SE 2016—Gunmetal”, <https://www.amazon.com/dp/B01BEJBBSK>, Earliest review date of Apr. 6, 2016, Downloaded on Dec. 20, 2018.

“Spigen Neo Hybrid Crystal iPhone SE Case with Flexible Inner Casing and Reinforced Hard Bumper Frame for iPhone SE 2016—Rose Gold”, <https://www.amazon.com/dp/B01BEJB7TI>, Earliest review date of Apr. 7, 2016, Downloaded on Dec. 18, 2018.

“Spigen Ultra Hybrid iPhone SE Case with Air Cushion Technology and Hybrid Drop Protection for iPhone SE 2016—Crystal Clear”, <https://www.amazon.com/dp/B01BEDO0PS>, Earliest review date of Apr. 15, 2016, Downloaded on Jan. 4, 2019.

“Spigen Neo Hybrid Crystal LG G5 Case with Flexible Inner Casing and Reinforced Hard Bumper Frame for LG G5 2016—Champagne Gold”, <https://www.amazon.com/dp/B01B1GQKIC>, Earliest review date of Apr. 17, 2016, Downloaded Dec. 18, 2018.

“Spigen Neo Hybrid OnePlus 3 Case/OnePlus 3T Case with Flexible Inner Protection and Reinforced Hard Bumper Frame for OnePlus 3 2016—Gunmetal”, <https://www.amazon.com/dp/B01H3PF76Q>, Earliest review date of Aug. 9, 2016, Downloaded on Dec. 18, 2018.

“Rock Royce Hybrid Case for Apple iPhone 5 5S & SE Iron Grey”, <https://www.gadgetwear.co.uk/products/rock-royce-hybrid-case-for-apple-iphone-5-5s-se-iron-grey>, Earliest review date of Aug. 26, 2016, Downloaded on Mar. 9, 2018.

“Spigen Ultra Hybrid iPhone 7 Case with Air Cushion Technology and Hybrid Drop Protection for iPhone 7 2016—Black”, <https://www.amazon.com/dp/B01GIVXBVY>, Earliest review date of Sep. 1, 2016, Downloaded on Jan. 8, 2019.

“Incase iPhone 3&3GS Metallic Slider Case (Gunmetal)”, <https://www.amazon.com/Incase-iPhone-Metallic-Slider-Gunmetal/dp/B002NLHV5Q>, Earliest review date of Apr. 8, 2010, Downloaded Jun. 3, 2016, 5 pages.

* cited by examiner

FIG. 1

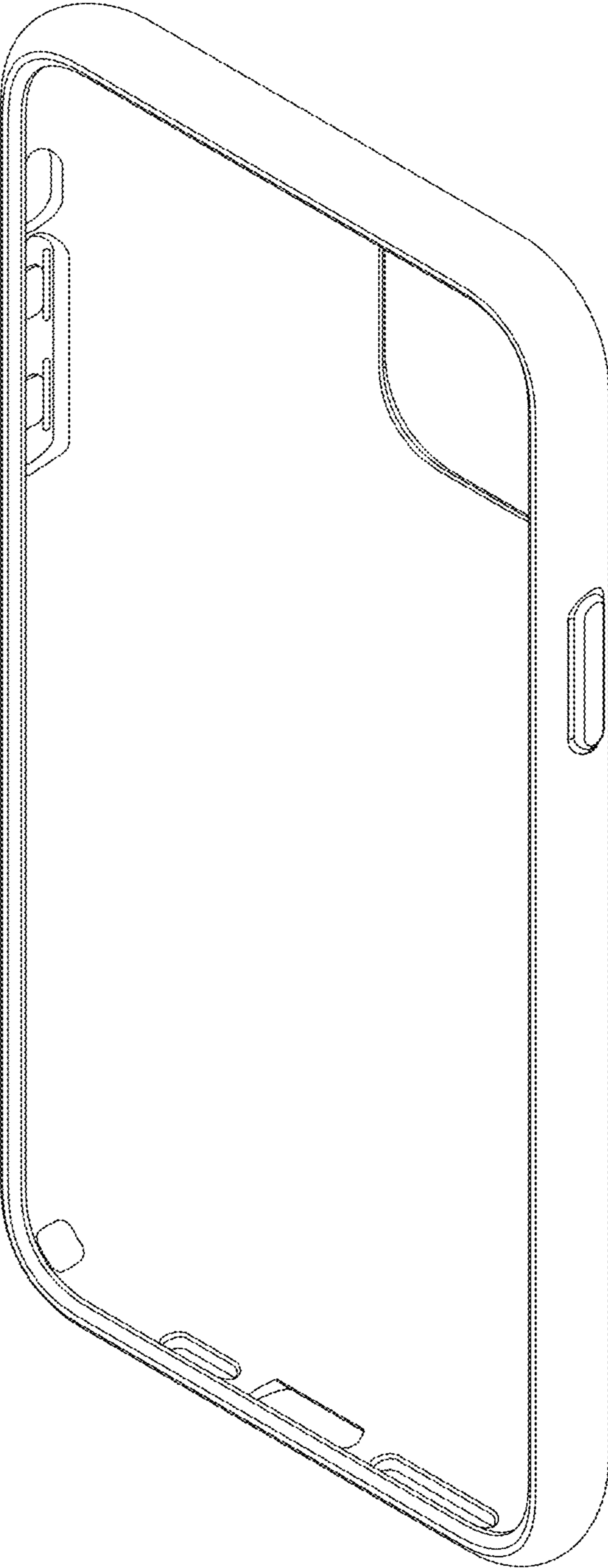


FIG. 2

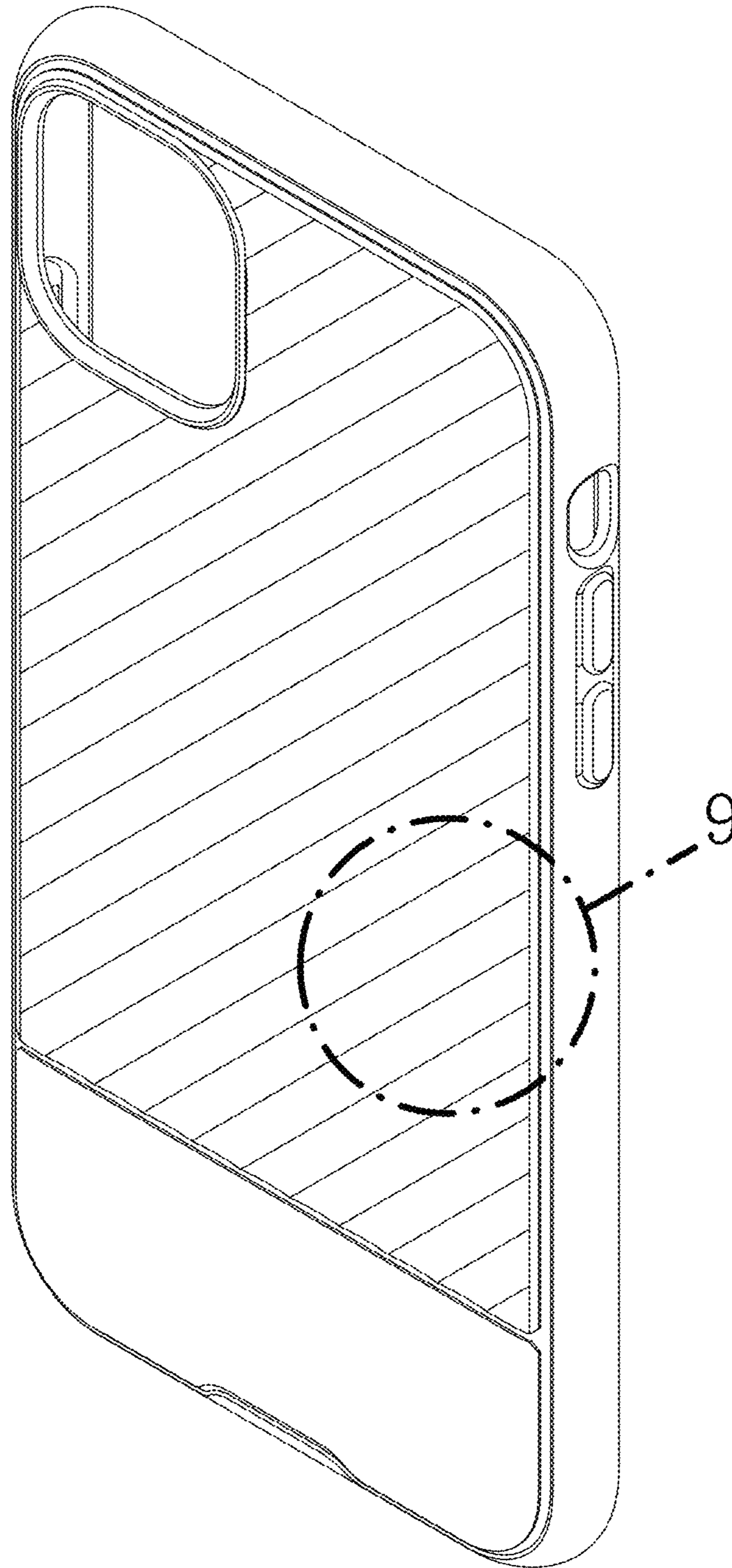


FIG. 3

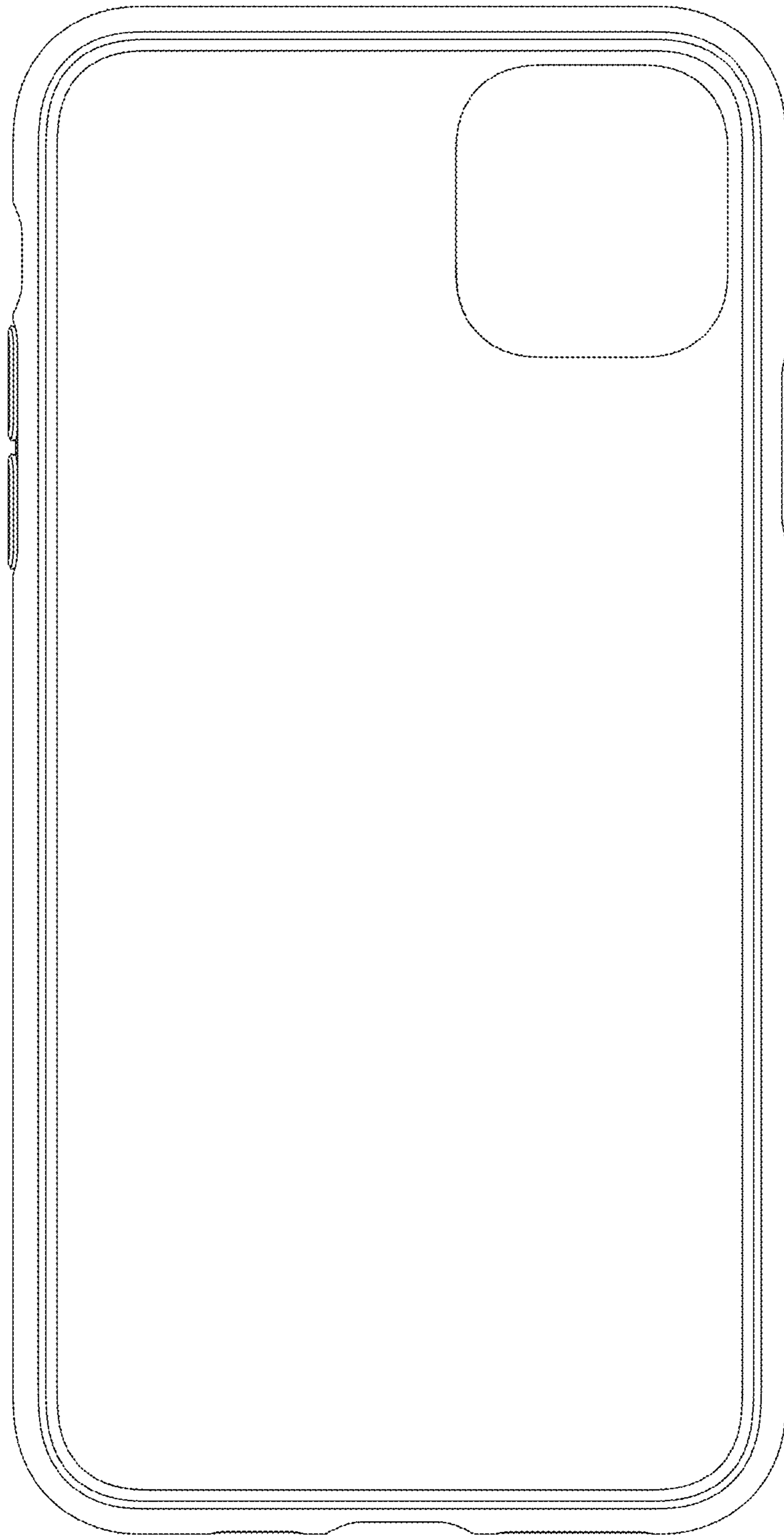


FIG. 4

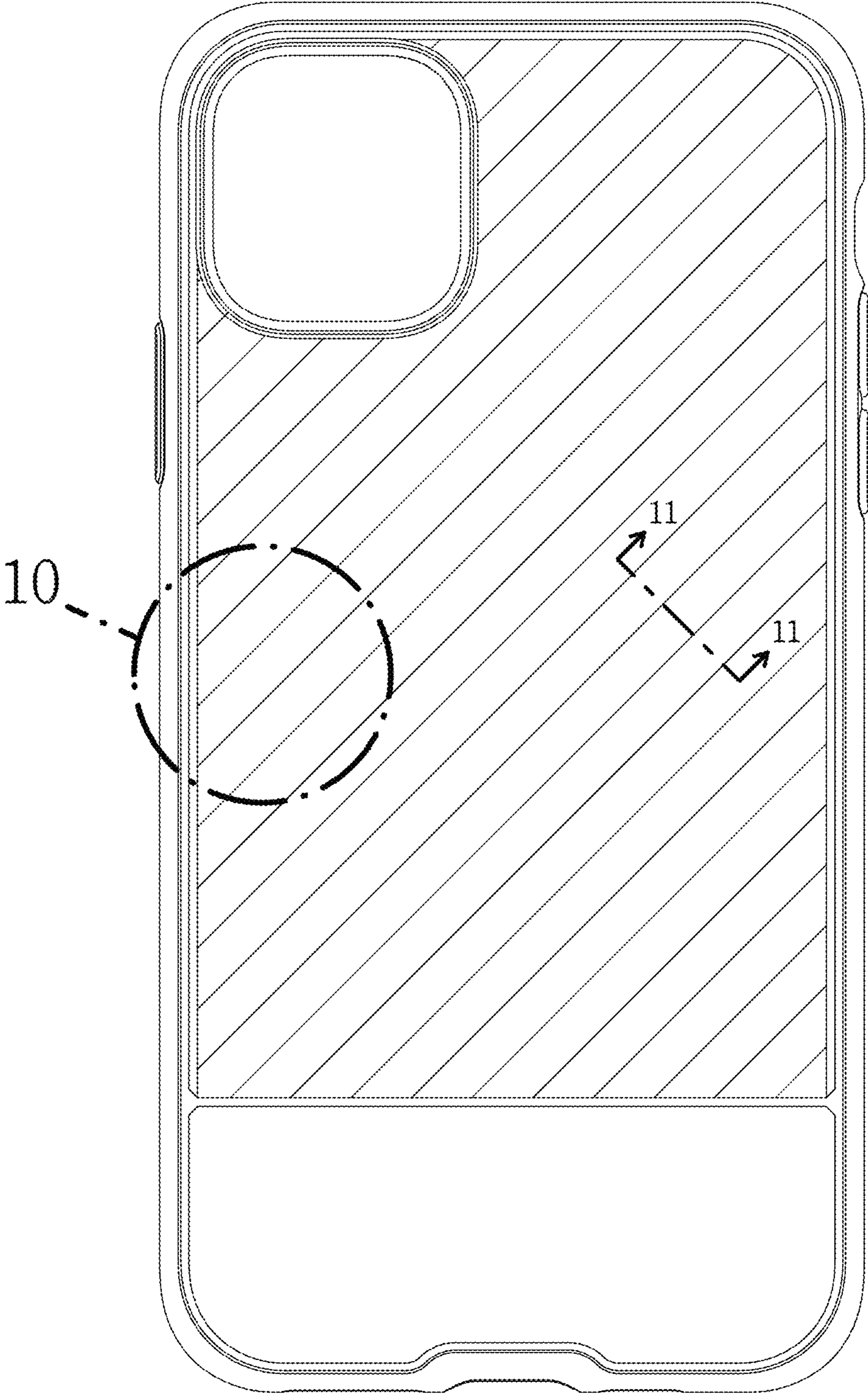


FIG. 5

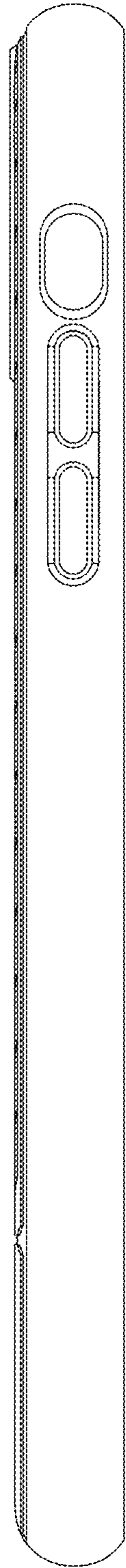


FIG. 6

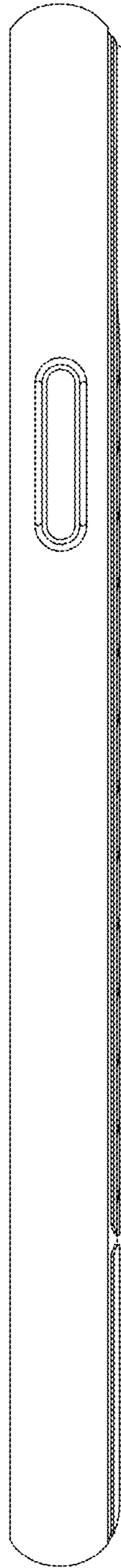


FIG. 7

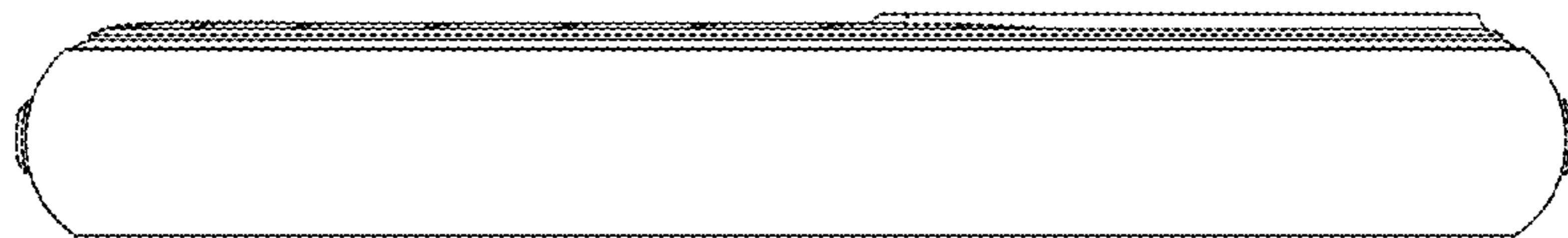


FIG. 8

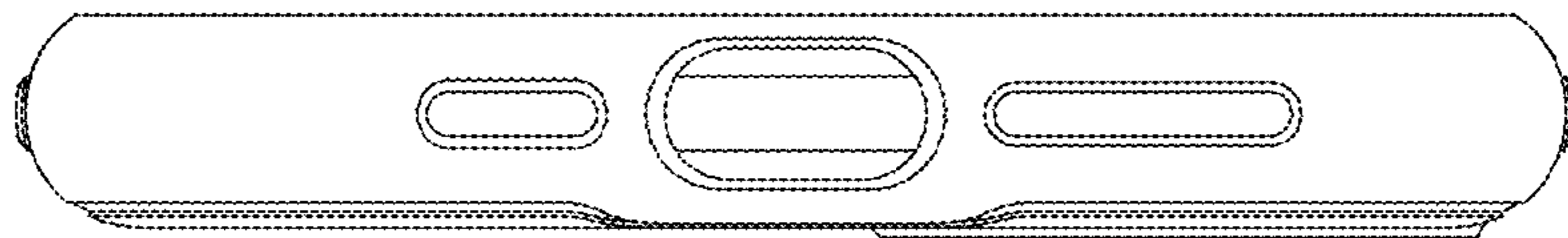


FIG. 9

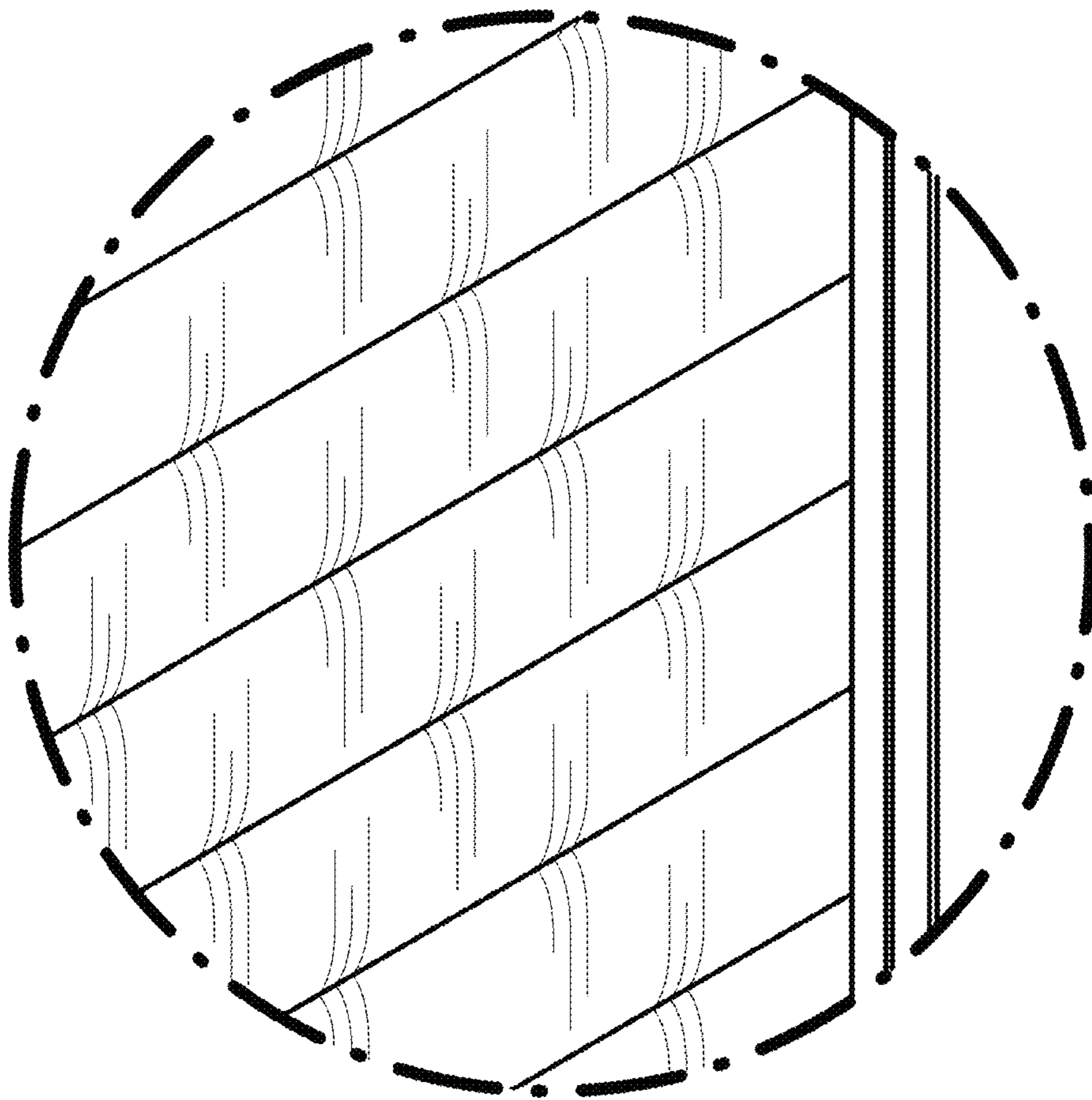


FIG. 10

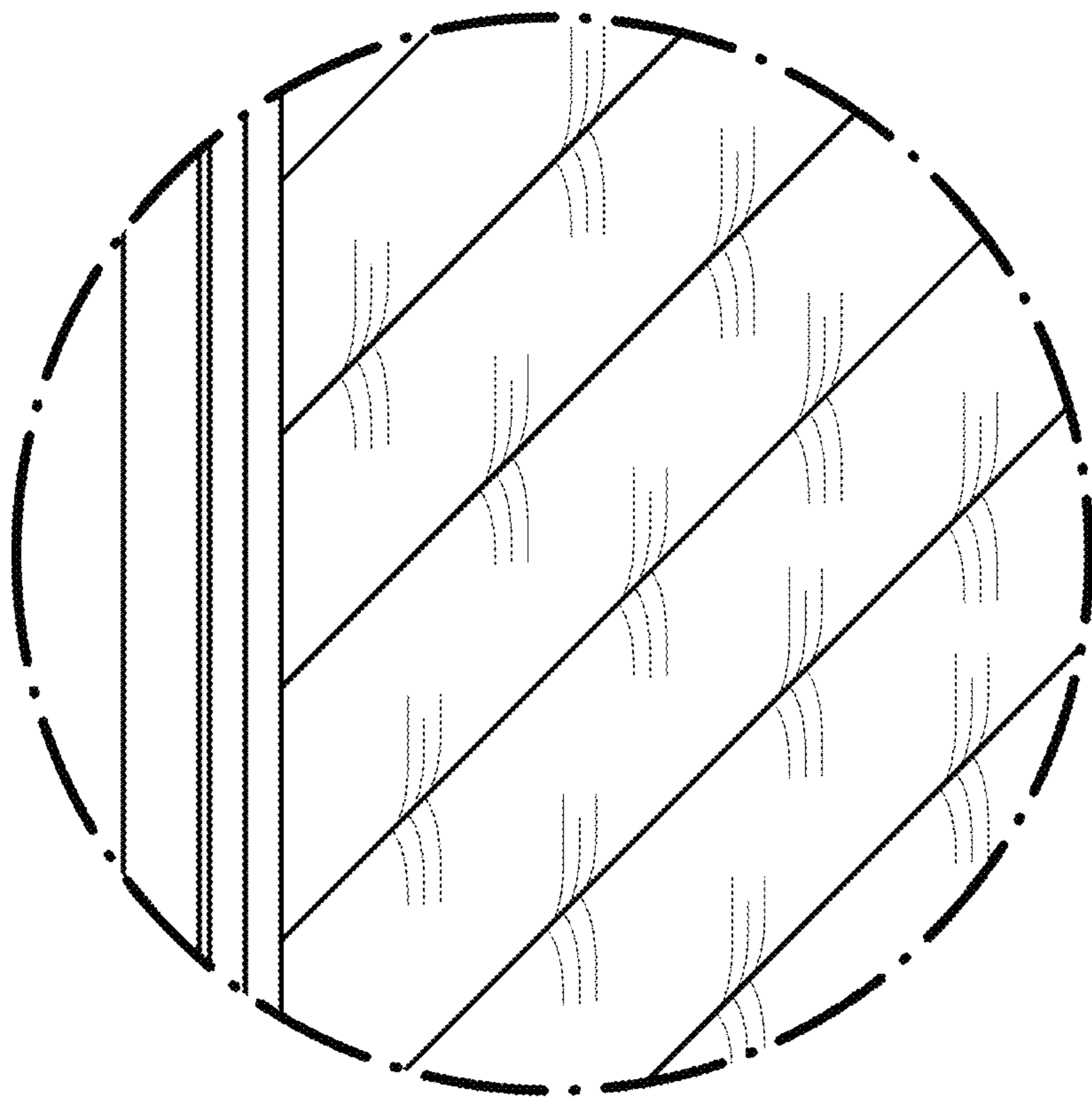


FIG. 11

