



US00D905680S

(12) **United States Design Patent** (10) **Patent No.:** **US D905,680 S**  
**Kim** (45) **Date of Patent:** **\*\* \*Dec. 22, 2020**

- (54) **CASE FOR ELECTRONIC COMMUNICATIONS DEVICE**
- (71) Applicant: **SPIGEN KOREA CO., LTD.**, Seoul (KR)
- (72) Inventor: **Jong Eun Kim**, Seoul (KR)
- (73) Assignee: **SPIGEN KOREA CO., LTD.**, Seoul (KR)
- (\*) Notice: This patent is subject to a terminal disclaimer.
- (\*\*) Term: **15 Years**
- (21) Appl. No.: **29/702,740**
- (22) Filed: **Aug. 21, 2019**
- (51) **LOC (12) Cl.** ..... **14-03**
- (52) **U.S. Cl.**  
USPC ..... **D14/250**
- (58) **Field of Classification Search**  
USPC ..... D14/440, 203.3–203.7, 439, 238.1,  
D14/251–253, 447, 217, 240, 248, 250;  
D3/201, 218, 247, 269, 273, 301, 303;  
D13/103, 119, 107–108  
CPC ..... H04B 1/3888; H04M 1/0283;  
H04M 1/0202; A45C 1/06; A45C 11/00;  
A45C 13/02; A45C 2011/002; A45F  
2005/026; A45F 2200/0525; A45F  
2200/0516  
See application file for complete search history.

(56) **References Cited**  
U.S. PATENT DOCUMENTS

D484,874 S	1/2004	Chang
D485,357 S	1/2004	Kapinos, Sr.
D545,653 S	7/2007	Kirkpatrick
D574,819 S	8/2008	Andre
D575,056 S	8/2008	Tan

D581,151 S	11/2008	Aipa
D618,230 S	6/2010	Brown
D622,716 S	8/2010	Andre
D623,180 S	9/2010	Diebel
D635,757 S	4/2011	Ward, Jr.
D648,332 S	11/2011	Kim et al.
D669,062 S	10/2012	Rothbaum
D669,458 S	10/2012	Wilson et al.
D670,281 S	11/2012	Corpuz et al.
D671,930 S	12/2012	Akana et al.
D676,837 S	2/2013	Rothbaum et al.
D686,606 S	7/2013	Hong

(Continued)

**OTHER PUBLICATIONS**

“Spigen Liquid Crystal Galaxy S9 Case with Light but Durable Flexible Clear TPU Protection for Samsung Galaxy S9 (2018)—Blossom Flower”, <https://www.amazon.com/dp/B0789T9WQN>, Earliest review date of Mar. 15, 2018, Downloaded on Jan. 9, 2019.

(Continued)

*Primary Examiner* — Carla J Wright

(74) *Attorney, Agent, or Firm* — Heedong Chae; Lucem, PC

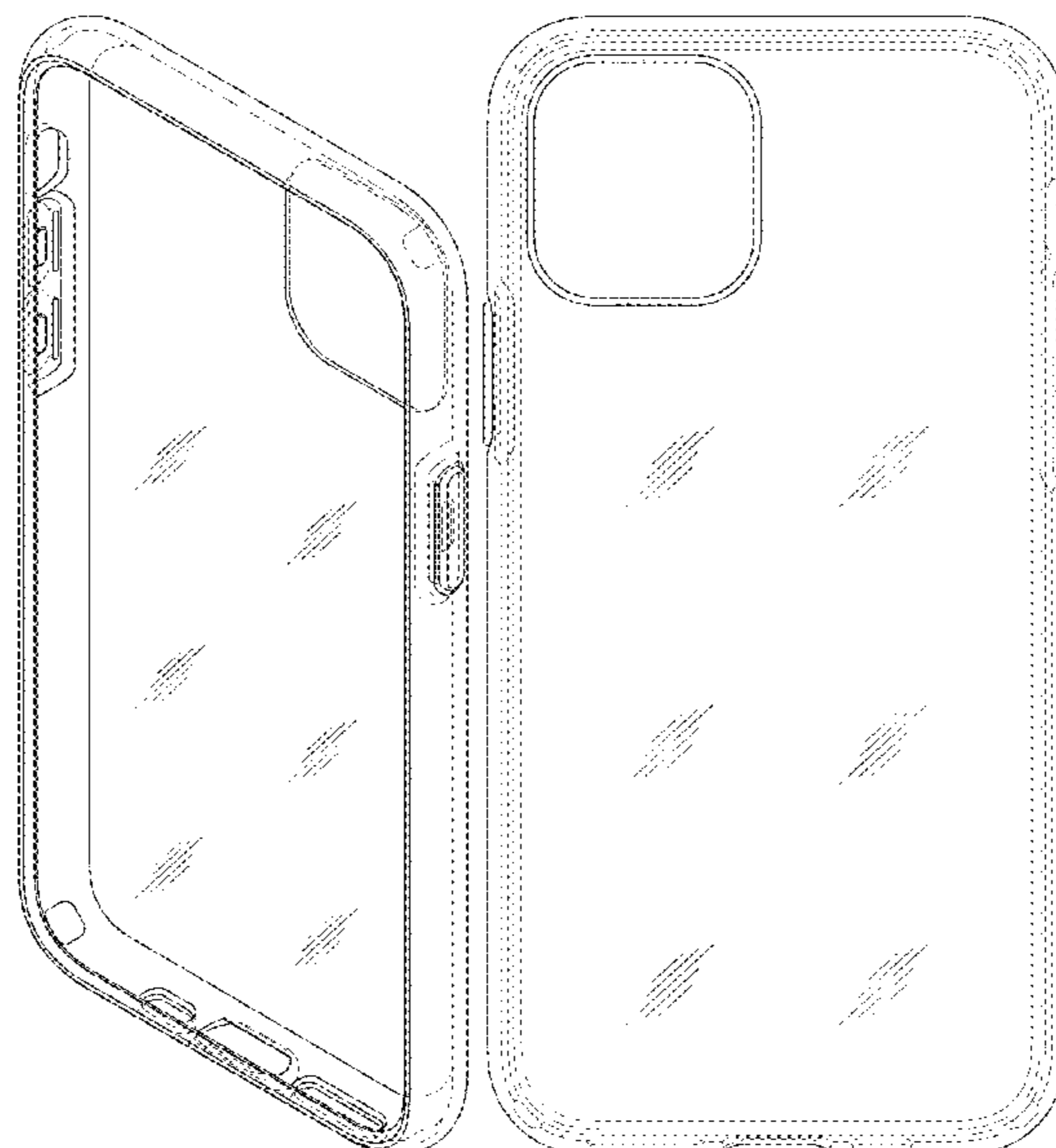
(57) **CLAIM**

The ornamental design for a case for electronic communications device, as shown and described.

**DESCRIPTION**

FIG. 1 is a front perspective view of the case for electronic communications device showing my new design; FIG. 2 is a rear perspective view thereof; FIG. 3 is a front elevational view thereof; FIG. 4 is a rear elevational view thereof; FIG. 5 is a left side elevational view thereof; FIG. 6 is a right side elevational view thereof; FIG. 7 is a top plan view thereof; and, FIG. 8 is a bottom plan view thereof.

**1 Claim, 8 Drawing Sheets**



(56)

References Cited

U.S. PATENT DOCUMENTS

D686,607 S 7/2013 Hong  
 D692,419 S \* 10/2013 Rayner ..... D14/250  
 D712,892 S 9/2014 Hong et al.  
 D714,053 S 9/2014 Yoo  
 D714,276 S 9/2014 Hu et al.  
 D715,786 S 10/2014 Lee et al.  
 D718,291 S 11/2014 Hong  
 D719,559 S 12/2014 Dukerschein et al.  
 D721,064 S 1/2015 Sun  
 D721,072 S 1/2015 Laffon De Mazieres et al.  
 D721,360 S 1/2015 Laffon de Mazieres et al.  
 D721,694 S 1/2015 Lee et al.  
 D723,531 S 3/2015 Katzke  
 D723,535 S 3/2015 Minn et al.  
 D726,172 S 4/2015 Watkins et al.  
 D735,182 S 7/2015 Watkins et al.  
 D739,394 S \* 9/2015 Rayner ..... D14/250  
 D740,798 S 10/2015 Poon et al.  
 D743,389 S 11/2015 Akana et al.  
 D746,275 S 12/2015 Mohammad  
 D746,805 S \* 1/2016 Kim ..... D14/250  
 D747,708 S 1/2016 Roberts  
 D756,345 S \* 5/2016 Roberts ..... D14/250  
 D757,702 S 5/2016 Kanazawa  
 D757,703 S 5/2016 Kanazawa  
 D761,774 S 7/2016 Liang  
 D761,775 S 7/2016 Pan et al.  
 D763,841 S 8/2016 Kim  
 D765,634 S 9/2016 McCray et al.  
 9,451,066 B1 9/2016 Jia  
 D772,210 S 11/2016 Igarashi  
 D772,854 S 11/2016 Igarashi  
 D774,498 S 12/2016 Tao  
 D775,619 S 1/2017 Tien  
 D776,100 S 1/2017 Igarashi  
 D777,715 S 1/2017 Sawaya  
 D777,716 S 1/2017 Kim  
 D779,470 S 2/2017 Kim  
 D779,471 S 2/2017 Tien  
 D781,839 S 3/2017 Kim et al.  
 D800,105 S 10/2017 Roberts  
 D800,711 S 10/2017 Kim  
 D801,323 S 10/2017 Kim  
 D803,823 S 11/2017 Feng  
 D807,337 S 1/2018 Kim et al.  
 D808,373 S \* 1/2018 Brown ..... D14/250  
 D808,376 S 1/2018 Kim  
 D808,377 S 1/2018 Witter et al.  
 D815,082 S 4/2018 Kim  
 D815,083 S 4/2018 Fitzgerald et al.  
 D822,652 S 7/2018 Kim et al.  
 D823,293 S 7/2018 Kim et al.  
 D823,294 S \* 7/2018 Kim ..... D14/250  
 D823,296 S 7/2018 Kim et al.  
 D823,298 S 7/2018 Kim et al.  
 D829,201 S 9/2018 Kim et al.  
 D830,353 S 10/2018 Kim et al.  
 D834,571 S 11/2018 Ravid  
 D836,622 S 12/2018 Kim et al.  
 D837,194 S \* 1/2019 Roberts ..... D14/250  
 D839,256 S 1/2019 Kim et al.  
 D839,859 S 2/2019 Zhang  
 D845,940 S \* 4/2019 Roberts ..... D14/250  
 D851,082 S 6/2019 Fitzgerald et al.  
 D854,530 S \* 7/2019 Kim ..... D14/250  
 10,362,847 B1 \* 7/2019 Okada ..... A45C 11/00  
 D856,995 S \* 8/2019 Hyun ..... D14/250  
 D856,996 S \* 8/2019 Kim ..... D14/250  
 D856,997 S \* 8/2019 Kim ..... D14/250  
 D860,182 S \* 9/2019 Hyun ..... D14/250  
 D860,183 S \* 9/2019 Hyun ..... D14/250  
 D860,184 S \* 9/2019 Kim ..... D14/250

D860,983 S \* 9/2019 Kim ..... D14/250  
 2014/0221056 A1 \* 8/2014 Gandhi ..... H04B 1/3888  
 455/575.8  
 2016/0142522 A1 5/2016 Kim

OTHER PUBLICATIONS

“Spigen Liquid Crystal Galaxy S9 Case with Light but Durable Flexible Clear TPU Protection for Samsung Galaxy S9 (2018)—Blossom Nature”, <https://www.amazon.com/dp/B0789VK9D8>, Earliest review date of Mar. 17, 2018, Downloaded on Jan. 9, 2019.  
 “Spigen Liquid Crystal Galaxy S9 Case with Light but Durable Flexible Clear TPU Protection for Samsung Galaxy S9 (2018)—Blossom Crystal Clear”, <https://www.amazon.com/dp/B0789VFC3D>, Earliest review date of Mar. 19, 2018, Downloaded on Jan. 9, 2019.  
 “Spigen Liquid Crystal Galaxy S9 Plus Case with Light but Durable Flexible Sleek Clean Matte Black TPU Protection for Samsung Galaxy S9 Plus (2018)-”, <https://www.amazon.com/dp/B078B8ZGMY>, Earliest review date of Apr. 9, 2018, Downloaded on Jan. 9, 2019.  
 “Spigen Liquid Crystal Galaxy A8 Case with Slim Protection and Premium TPU for Galaxy A8 (2018)—Blossom Nature”, <https://www.amazon.com/dp/B077MMFYPM> Item model, Earliest review date of May 12, 2018, Downloaded on Jan. 9, 2019.  
 “Spigen Liquid Crystal LG G7 Case/LG G7 ThinQ Case with Light but Durable Flexible Clear TPU Protection for LG G7 ThinQ (2018)—”, <https://www.amazon.com/dp/B078MWRDR8> Item model, Earliest review date of Jun. 4, 2018, Downloaded on Jan. 9, 2019.  
 “Spigen Liquid Crystal Huawei P20 lite Case with Light but Durable Flexible Clear TPU Protection for Huawei P20 lite (2018)—Glitter Crystal Quartz”, <https://www.amazon.com/dp/B0792JPQFS> Item model, Earliest review date of Jul. 2, 2018, Downloaded on Jan. 9, 2019.  
 “Spigen Liquid Crystal HTC U12 Plus Case/HTC U12 + Case with Light but Durable Flexible Clear TPU Protection for HTC U12 Plus/HTC U12 + (2018)—Crystal Clear”, <https://www.amazon.com/dp/B07B9Q7S7K> Item model, Earliest review date of Jul. 17, 2018, Downloaded on Jan. 9, 2019.  
 “Spigen Liquid Crystal Google Pixel Case with Slim Protection and Premium Clarity for Google Pixel 2016—Crystal Clear”, <https://www.amazon.com/dp/B07B9Q7S7K> Item model, Earliest review date of Oct. 17, 2016, Downloaded on Aug. 9, 2018.  
 “Spigen Liquid Crystal Galaxy Note 9 Case with Slim Protection and Premium Clarity for Galaxy Note 9”, <https://www.amazon.com/dp/B07FMB2ZX3> Item model, Earliest review date of Aug. 18, 2018, Downloaded on Sep. 1, 2019.  
 “Spigen Liquid Crystal Galaxy S6 Case with Light but Durable Flexible Clear TPU Protection for Samsung Galaxy S6 (2015)—Crystal Clear”, <https://www.amazon.com/dp/B00QU4N7AK>, Earliest review date of Mar. 25, 2015, Downloaded on Aug. 9, 2018.  
 “Spigen Liquid Crystal Galaxy S6 Edge Case with Light but Durable Flexible Clear TPU Protection for Samsung Galaxy S6 Edge (2015)—Crystal Clear”, <https://www.amazon.com/dp/B00UCETHEO>, Earliest review date of Mar. 25, 2015, Downloaded on Aug. 9, 2018.  
 “Spigen Liquid Crystal Galaxy Note 5 Case with Slim Protection and Premium Clarity for Galaxy Note 5 2015—Crystal Clear”, <https://www.amazon.com/dp/B010MWEUII>, Earliest review date of Aug. 22, 2015, Downloaded on Aug. 9, 2018.  
 “Spigen Liquid Crystal iPhone 6S Plus Case with Slim Protection and Premium Clarity for iPhone 6S Plus/iPhone 6”, <https://www.amazon.com/dp/B010MVR3FG>, Earliest review date of Sep. 3, 2015, Downloaded on Aug. 9, 2018.  
 “Spigen Liquid Crystal iPhone 6S Case with Slim Protection and Premium Clarity for iPhone 6S/iPhone 6—Crystal Clear”, <https://www.amazon.com/dp/B010MVJK9I>, Earliest review date of Sep. 5, 2015, Downloaded on Aug. 9, 2018.  
 “Spigen Liquid Crystal OnePlus 2 Case with Slim Protection and Premium Clarity for OnePlus 2—Crystal Clear”, <https://www.amazon.com/dp/B014Q5A1NK>, Earliest review date of Sep. 29, 2015, Downloaded on Aug. 9, 2018.

(56)

**References Cited**

## OTHER PUBLICATIONS

“Spigen Liquid Crystal Galaxy S7 Edge Case with Slim Protection and Premium Clarity for Samsung Galaxy S7 Edge 2016—Crystal Clear”, <https://www.amazon.com/dp/B01A7IDF3S>, Earliest review date of Feb. 23, 2016, Downloaded on Aug. 9, 2018.

“Spigen Liquid Crystal Galaxy S7 Case with Slim Protection and Premium Clarity for Samsung Galaxy S7 2016—Crystal Clear”, <https://www.amazon.com/dp/B01A7ICULQ>, Earliest review date of Mar. 3, 2016, Downloaded on Aug. 9, 2018.

“Spigen Liquid Crystal Honor 5X Case with Slim Protection and Premium Clarity for Huawei Honor 5X—Crystal Clear”, <https://www.amazon.com/dp/B01DJHHW74>, Earliest review date of Jul. 16, 2016, Downloaded on Aug. 9, 2018.

“Spigen Liquid Crystal Shine iPhone 6s Case with Laser Precision Design and Premium Clarity for iPhone 6s—Blossom”, <https://www.amazon.com/dp/B01N9QFDHT>, Earliest review date of Sep. 4, 2016, Downloaded on Aug. 9, 2018.

“Spigen Liquid Crystal iPhone 7 Plus Case with Light but Durable Flexible Clear TPU Protection for Apple iPhone 7 Plus (2016)—Crystal Clear”, <https://www.amazon.com/dp/B01GIWFRHO>, Earliest review date of Sep. 6, 2016, Downloaded on Aug. 9, 2018.

“Spigen Liquid Crystal iPhone 7 Case with Jet Black Optimized Color and Premium Semitransparent Protection for iPhone 7 2016—Space Crystal”, <https://www.amazon.com/dp/B01LRSET82>, Earliest review date of Sep. 16, 2016, Downloaded on Aug. 9, 2018.

“Spigen Liquid Crystal Google Pixel XL Case with Slim Protection and Premium Clarity for Google Pixel XL 2016—Crystal Clear”, <https://www.amazon.com/dp/B01M1DR187>, Earliest review date of Oct. 20, 2016, Downloaded on Aug. 9, 2018.

“Spigen Liquid Crystal Honor 8 Case with Slim Protection Premium Clarity for Huawei Honor 8 2016—Crystal Clear”, <https://www.amazon.com/dp/B01LYH8E39>, Earliest review date of Oct. 26, 2016, Downloaded on Aug. 9, 2018.

“Spigen Liquid Crystal Shine iPhone 6s Case with Laser Precision Design and Premium Clarity for iPhone 6s—Blossom”, <https://www.amazon.com/dp/B01N9QFDHT>, Earliest review date of Mar. 9, 2017, Downloaded on Jan. 9, 2019.

“Spigen Liquid Crystal [2nd Generation] iPhone 8 Case/iPhone 7 Case with Slim Protection and Premium Clarity for Apple iPhone 8 (2017)/iPhone 7 (2016)—Blossom 53 customer”, <https://www.amazon.com/dp/B01MR4QY0H>, Earliest review date of Mar. 28, 2017, Downloaded on Aug. 9, 2018.

“Spigen Liquid Crystal LG G6 Case/LG G6 Plus Case with Slim Protection and Premium Clarity for LG G6 / G6 Plus (2017)—Crystal Clear”, <https://www.amazon.com/dp/B01NBWSX8S>, Earliest review date of Mar. 29, 2017, Downloaded on Aug. 9, 2018.

“Spigen Liquid Crystal Galaxy S8 Plus Case with Slim Protection and Premium Clarity for Galaxy S8 Plus (2017)—Crystal Clear”, <https://www.amazon.com/dp/B06XP4QY2B>, Earliest review date of Apr. 1, 2017, Downloaded on Aug. 9, 2018.

“Spigen Liquid Crystal Galaxy S8 Case with Slim Protection and Premium Clarity for Samsung Galaxy S8 (2017)—Crystal Clear”, <https://www.amazon.com/dp/B06XP6KZKC>, Earliest review date of Apr. 5, 2017, Downloaded on Aug. 9, 2018.

“Spigen Liquid Crystal Glitter Galaxy S8 Plus Case with Slim Protection and Premium Clarity for Galaxy S8 Plus (2017)—Rose Quartz”, <https://www.amazon.com/dp/B06XP5X8S2>, Earliest review date of Apr. 6, 2017, Downloaded on Aug. 9, 2018.

“Spigen Liquid Crystal iPhone 7 Plus Case with Slim Protection and Matte Finish for Apple iPhone 7 Plus (2016)-”, <https://www.amazon.com/dp/B06X6GG6WJ>, Earliest review date of Apr. 9, 2017, Downloaded on Jan. 9, 2019.

“Spigen Liquid Crystal Galaxy J5 Pro (2017) Case with Slim Protection and Premium Clarity for Galaxy J5 Pro(2017) International version—Crystal Clear”, <https://www.amazon.com/dp/B072HGQ2L7>, Earliest review date of Apr. 11, 2017, Downloaded on Aug. 9, 2018.

“Spigen Liquid Crystal Glitter Galaxy S8 Case with Slim Protection and Premium Clarity for Samsung Galaxy S8 (2017)—Crystal

Quartz”, <https://www.amazon.com/dp/B06XP5LW2G>, Earliest review date of Apr. 16, 2017, Downloaded on Aug. 9, 2018.

“Spigen Liquid Crystal Glitter iPhone 6s Plus Case with Slim Protection and Premium Clarity for iPhone 6s Plus (2015)—Crystal Quartz”, <https://www.amazon.com/dp/B06Y4GVLLM>, Earliest review date of Jun. 11, 2017, Downloaded on Aug. 9, 2018.

“Spigen Liquid Crystal HTC U11 Case with Slim Protection and Premium Clarity for HTC U11 (2017)—Crystal Clear”, <https://www.amazon.com/dp/B0728937FV>, Earliest review date of Jun. 22, 2017, Downloaded on Aug. 9, 2018.

“Spigen Liquid Crystal [2nd Generation] iPhone 8 Case/iPhone 7 Case with Slim Protection and Premium Clarity for Apple iPhone 8 (2017)/iPhone 7 (2016)—Glitter Crystal Quartz”, <https://www.amazon.com/dp/B06Y452NGF>, Earliest review date of Jul. 6, 2017, Downloaded on Aug. 9, 2018.

“Spigen Liquid Crystal [2nd Generation] iPhone 8 Plus Case/iPhone 7 Plus Case with Premium Clarity for Apple iPhone 8 Plus (2017)/iPhone 7 Plus (2016)—Glitter Rose Quartz”, <https://www.amazon.com/dp/B06Y458K3K>, Earliest review date of Jul. 13, 2017, Downloaded on Aug. 9, 2018.

“Spigen Liquid Crystal Galaxy J5 Pro (2017) Case with Slim Protection and Premium Clarity for Galaxy J5 Pro(2017) International Version—Crystal Clear”, <https://www.amazon.com/dp/B072HGQ2L7>, Earliest review date of Aug. 11, 2017, Downloaded on Jan. 9, 2019.

“Spigen Liquid Crystal Moto Z2 Play Case with Slim Protection and Premium Clarity for Moto Z2 Play—Crystal Clear”, <https://www.amazon.com/dp/B072MM24J7>, Earliest review date of Aug. 17, 2017, Downloaded on Jan. 9, 2019.

“Spigen Liquid Crystal Galaxy Note 8 Case with Slim Protection and Premium Clarity for Galaxy Note 8 (2017)—Glitter Crystal Quartz”, <https://www.amazon.com/dp/B073R7K5D1>, Earliest review date of Sep. 1, 2017, Downloaded on Aug. 9, 2018.

“Spigen Liquid Crystal [2nd Generation] iPhone 8 Plus Case/iPhone 7 Plus Case with Premium Clarity for Apple iPhone 8 Plus (2017)/iPhone 7 Plus (2016)—Crystal Clear”, <https://www.amazon.com/dp/B0748154WK>, Earliest review date of Sep. 13, 2017, Downloaded on Aug. 9, 2018.

“Spigen Liquid Crystal LG V30 Case/V30S/V30 Plus with Slim Protection and Premium Clarity for LG V30 (2017)—Crystal Clear”, <https://www.amazon.com/dp/B071G815YQ>, Earliest review date of Sep. 20, 2017, Downloaded on Aug. 9, 2018.

“Spigen Liquid Crystal [2nd Generation] iPhone 8 Case/iPhone 7 Case with Slim Protection and Premium Clarity for Apple iPhone 8 (2017)/iPhone 7 (2016)—Crystal Clear”, <https://www.amazon.com/dp/B0747ZLTJB>, Earliest review date of Sep. 22, 2017, Downloaded on Aug. 9, 2018.

“Spigen Liquid Crystal [2nd Generation] iPhone 8 Case/iPhone 7 Case with Slim Protection and Premium Clarity for Apple iPhone 8 (2017)/iPhone 7 (2016)—Blossom Nature”, <https://www.amazon.com/dp/B0748272WP>, Earliest review date of Sep. 30, 2017, Downloaded on Aug. 9, 2018.

“Spigen Liquid Crystal iPhone X Case with Slim Protection and Premium TPU for Apple iPhone X (2017)—Crystal Clear”, <https://www.amazon.com/dp/B074CN96GL>, Earliest review date of Oct. 1, 2017, Downloaded on Aug. 9, 2018.

“Spigen Liquid Crystal [2nd Generation] iPhone 8 Case/iPhone 7 Case with Slim Protection and Premium Clarity for Apple iPhone 8 (2017)/iPhone 7 (2016)—Glitter Rose”, <https://www.amazon.com/dp/B01MV3CXQG>, Earliest review date of Oct. 15, 2017, Downloaded on Aug. 9, 2018.

“Spigen Liquid Crystal Google Pixel 2 XL Case with Slim Protection and Premium Clarity for Google Pixel 2 XL (2017)—Crystal Clear”, <https://www.amazon.com/dp/B0747813GV>, Earliest review date of Oct. 20, 2017, Downloaded on Aug. 9, 2018.

“Spigen Liquid Crystal Pixel 2 Case with Light but Durable Flexible Clear TPU Protection for Google Pixel 2 (2017)—Crystal Clear”, <https://www.amazon.com/dp/B0746YX7J7>, Earliest review date of Oct. 23, 2017, Downloaded on Aug. 9, 2018.

“Spigen Liquid Crystal Designed for Apple iPhone Xs Case (2018) / Designed for Apple iPhone X Case (2017)—Matte Black”, <https://www.amazon.com/dp/B074CMZJMN>, Earliest review date of Oct. 28, 2017, Downloaded on Jan. 9, 2019.

(56)

**References Cited**

## OTHER PUBLICATIONS

“Spigen Liquid Crystal Designed for Apple iPhone Xs Case (2018) / Designed for Apple iPhone X Case (2017)—Blossom Crystal Clear”, <https://www.amazon.com/dp/B074CMDQ5K>, Earliest review date of Nov. 2, 2017, Downloaded on Jan. 9, 2019.

“Spigen Liquid Crystal Designed for Apple iPhone Xs Case (2018) / Designed for Apple iPhone X Case (2017)—Shine Crystal Clear”, <https://www.amazon.com/dp/B074CMJZQ9>, Earliest review date of Nov. 4, 2017, Downloaded on Jan. 9, 2019.

“Spigen Liquid Crystal Galaxy A5 2017 Case with Slim Protection and Premium Clarity for Samsung Galaxy A5 (2017)—Glitter Crystal Quartz”, <https://www.amazon.com/dp/B06VV5B16K>, Earliest review date of Nov. 5, 2017, Downloaded on Aug. 9, 2018.

“Spigen Liquid Crystal Honor 9 Case with Slim Protection and Premium Clarity for Honor 9—Crystal Clear”, <https://www.amazon.com/dp/B071GPHF5J>, Earliest review date of Dec. 3, 2017, Downloaded on Jan. 9, 2019.

“Spigen Liquid Crystal Moto X4 Case with Slim Protection and Premium TPU for Moto X4 (2017)—Crystal Clear”, <https://www.amazon.com/dp/B077H8CZPC>, Earliest review date of Dec. 13, 2017, Downloaded on Aug. 9, 2018.

“Spigen Liquid Crystal Galaxy A3 2017 Case with Slim Protection and Premium Clarity for Galaxy A3 (2017)—Crystal Clear”, <https://www.amazon.com/dp/B01MXVRL5H>, Earliest review date of Feb. 9, 2018, Downloaded on Jan. 9, 2019.

“Spigen Liquid Crystal Galaxy S9 Case with Light but Durable Flexible Clear TPU Protection for Samsung Galaxy S9 (2018)—Glitter Crystal Quartz”, <https://www.amazon.com/dp/B0789VKBNF>, Earliest review date of Mar. 9, 2018, Downloaded on Jan. 9, 2019.

“Spigen Liquid Crystal Galaxy S9 Plus Case with Light but Durable Flexible Clear TPU Protection for Samsung Galaxy S9 Plus (2018)-”, <https://www.amazon.com/dp/B078BJQX5K>, Earliest review date of Mar. 13, 2018, Downloaded on Jan. 9, 2019.

“Spigen Liquid Crystal Designed for Apple iPhone Xs Case (2018) / Designed for Apple iPhone X Case (2017)—Blossom Flower”, <https://www.amazon.com/dp/B0763TRL1N>, Earliest review date of Mar. 14, 2018, Downloaded on Jan. 9, 2019.

\* cited by examiner

FIG. 1

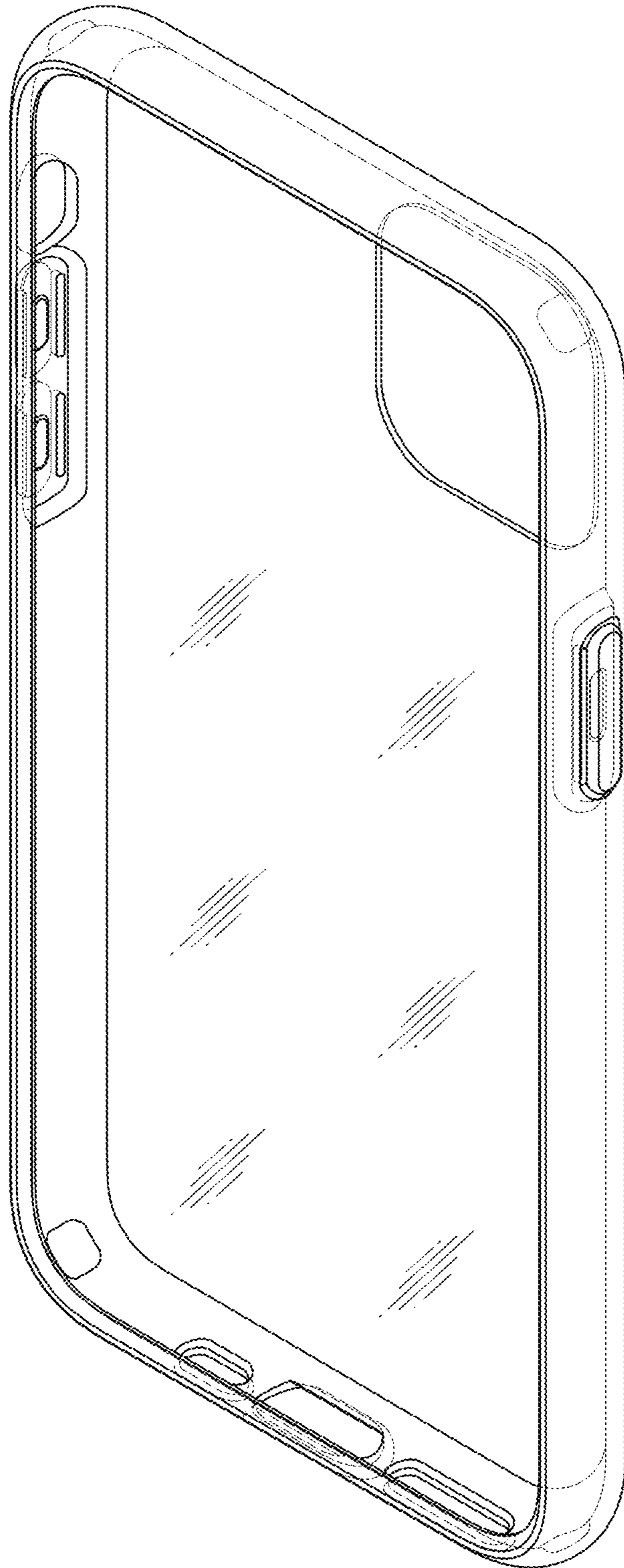


FIG. 2

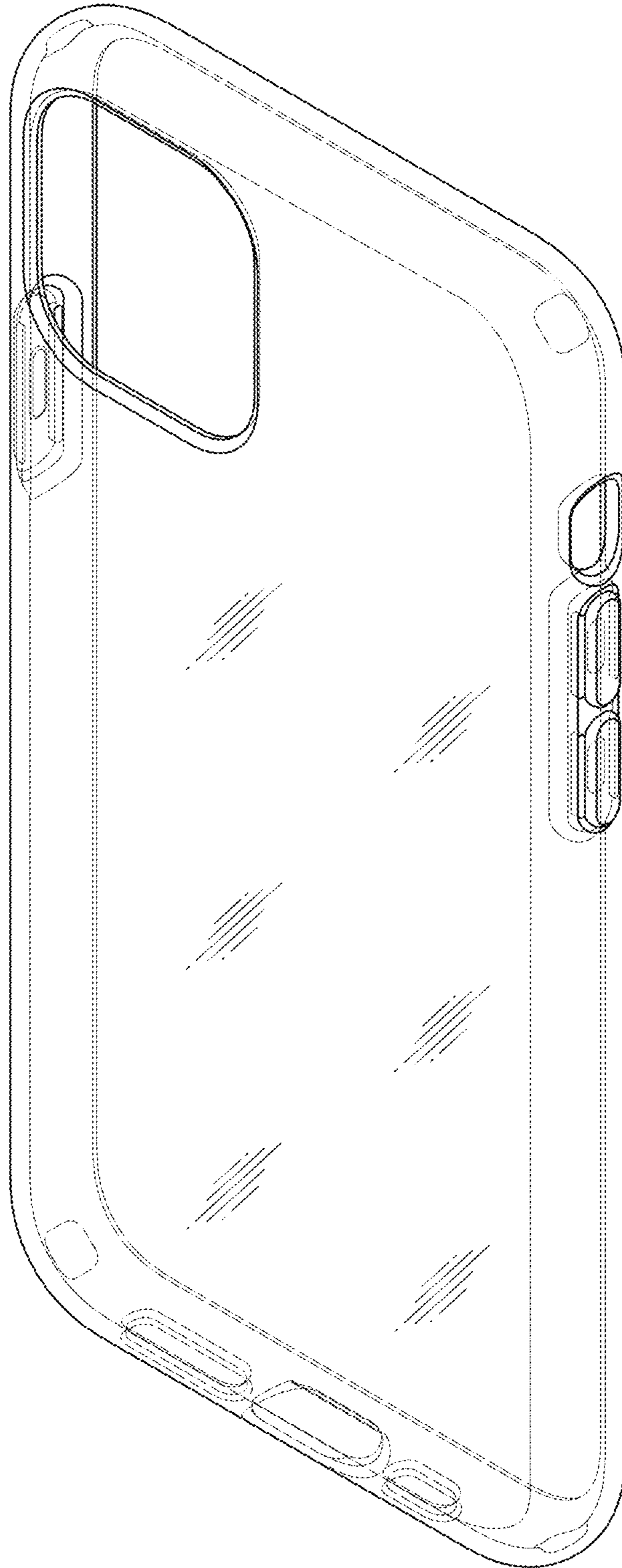


FIG. 3

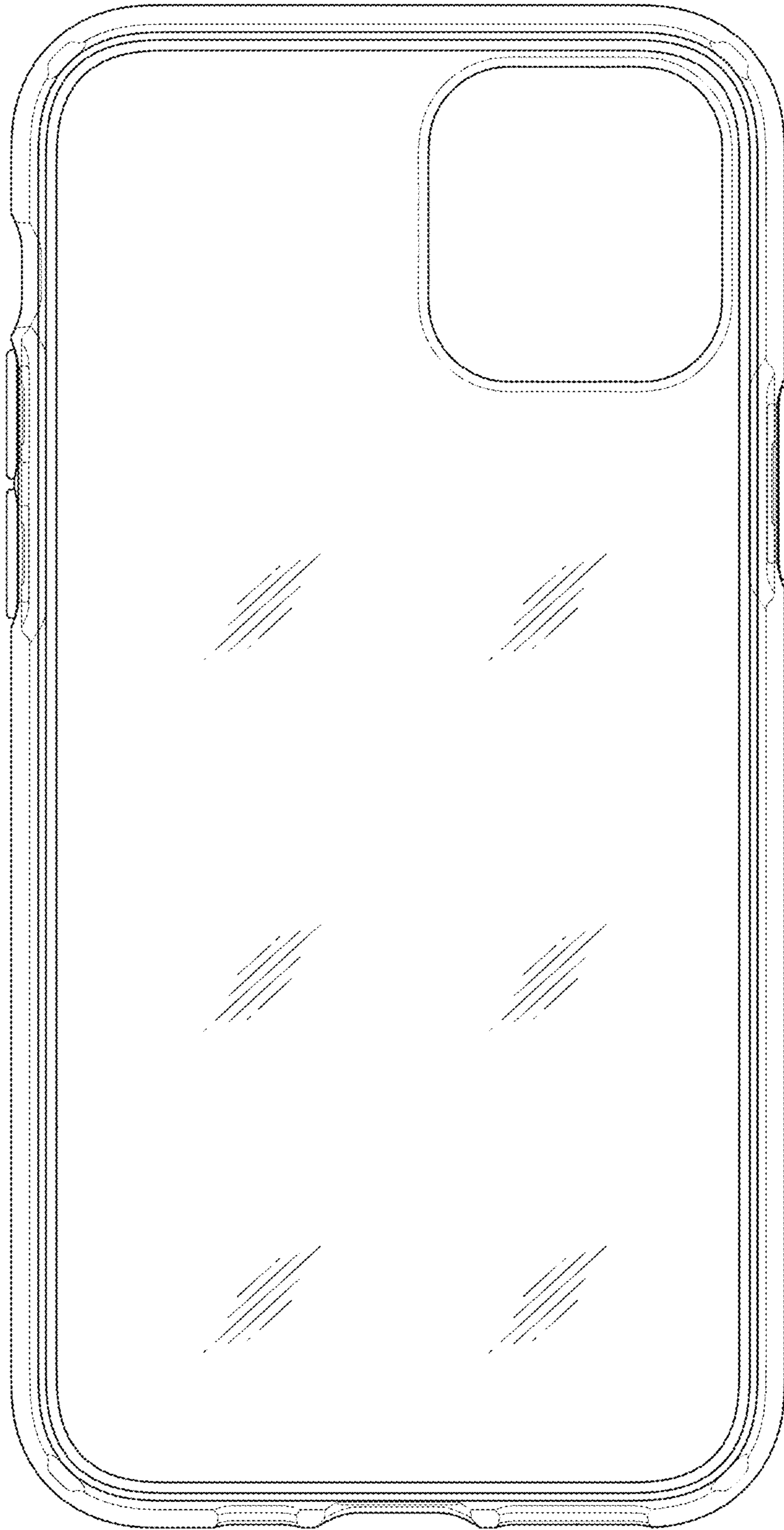


FIG. 4





FIG. 5

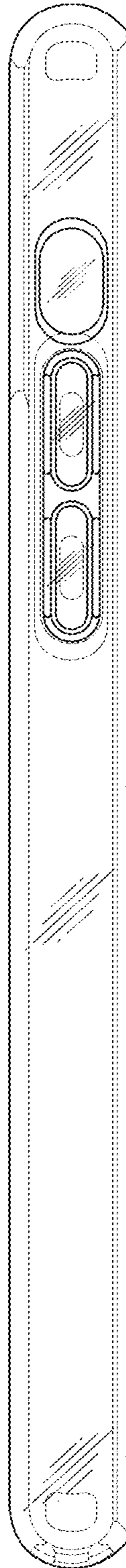


FIG. 6

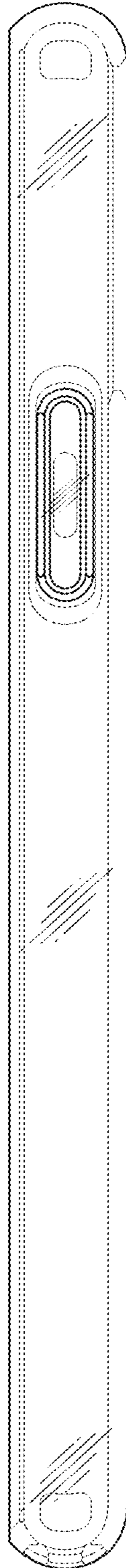


FIG. 7

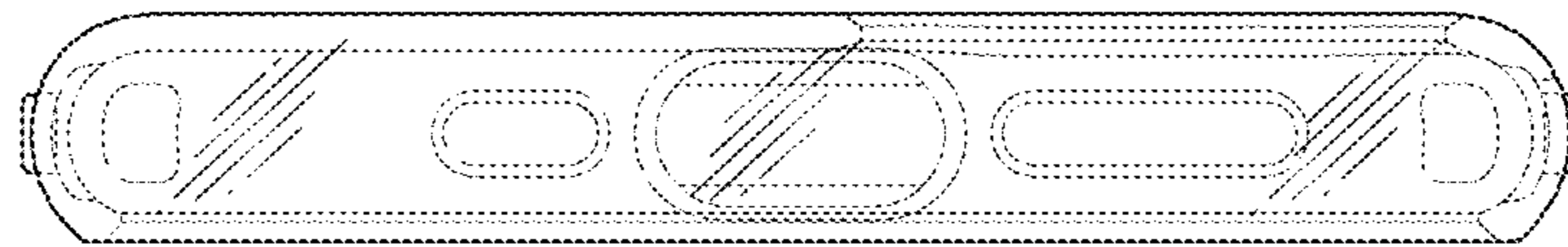


FIG. 8

