



US00D905679S

(12) **United States Design Patent** (10) **Patent No.:** **US D905,679 S**
Kim (45) **Date of Patent:** **** Dec. 22, 2020**

(54) **CASE FOR ELECTRONIC COMMUNICATIONS DEVICE**

(71) Applicant: **SPIGEN KOREA CO., LTD.**, Seoul (KR)

(72) Inventor: **Seungjoo Kim**, Seoul (KR)

(73) Assignee: **SPIGEN KOREA CO., LTD.**, Seoul (KR)

(**) Term: **15 Years**

(21) Appl. No.: **29/701,989**

(22) Filed: **Aug. 15, 2019**

(51) **LOC (12) Cl.** **14-03**

(52) **U.S. Cl.**
 USPC **D14/250**

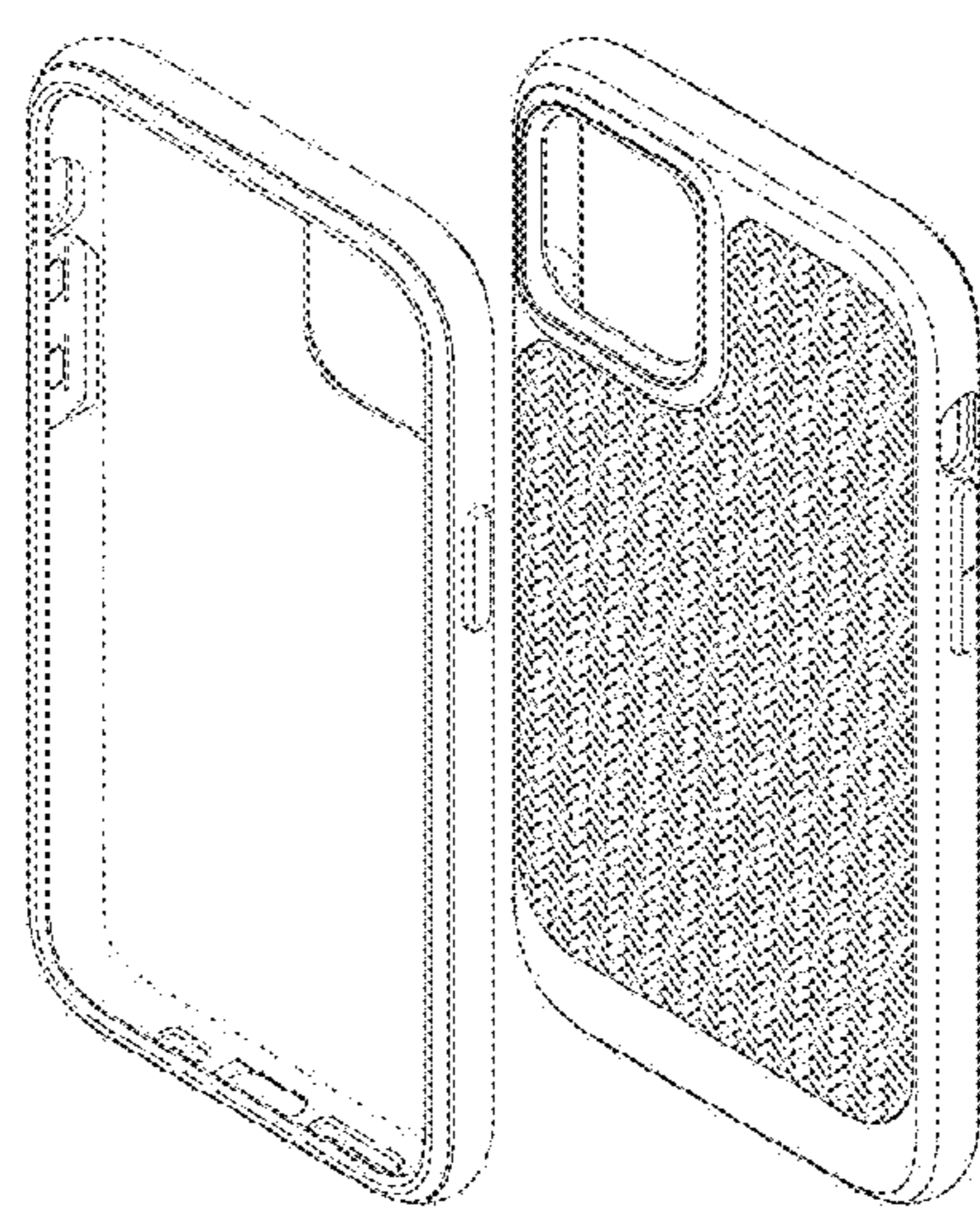
(58) **Field of Classification Search**
 USPC D14/440, 203.3–203.7, 439, 238.1, D14/251–253, 447, 217, 240, 248, 250; D3/201, 218, 247, 269, 273, 301, 303; D13/103, 119, 107–108
 CPC H04B 1/3888; H04M 1/0283; H04M 1/0202; A45C 1/06; A45C 11/00; A45C 13/02; A45C 2011/002; A45F 2005/026; A45F 2200/0525; A45F 2200/0516
 See application file for complete search history.

D651,202 S 12/2011 Fathollahi
 D662,929 S 7/2012 Fahrendorff et al.
 D669,889 S 10/2012 Li et al.
 D671,930 S 12/2012 Akana et al.
 D673,539 S 1/2013 Magness et al.
 D674,789 S 1/2013 Wen
 D679,695 S 4/2013 Fahrendorff et al.
 D679,698 S 4/2013 Murchison et al.
 D687,027 S 7/2013 Melanson et al.
 D691,122 S 10/2013 Bau
 D691,601 S 10/2013 Murchison et al.
 D692,419 S * 10/2013 Rayner D14/250
 D694,224 S 11/2013 Wooseung
 D694,759 S 12/2013 Chang et al.
 D696,238 S 12/2013 Murchison et al.
 D696,240 S 12/2013 Kim et al.
 D703,653 S 4/2014 Brubaker et al.
 D703,656 S 4/2014 Witter et al.
 D721,071 S 1/2015 Nelson et al.
 D721,686 S 1/2015 Jacob et al.
 D721,693 S 1/2015 Lee et al.
 D732,525 S 6/2015 Seo et al.
 D734,747 S 7/2015 Seo et al.
 D735,182 S 7/2015 Watkins et al.
 D739,394 S 9/2015 Rayner et al.
 D740,798 S 10/2015 Poon et al.
 D741,845 S 10/2015 Kim
 D746,805 S 1/2016 Kim
 9,264,089 B2 * 2/2016 Tages H04B 1/3888
 D756,343 S 5/2016 Wall et al.
 D763,241 S 8/2016 Kim
 D765,627 S 9/2016 Watt
 D765,632 S * 9/2016 Northrup D14/250
 D765,633 S 9/2016 Northrup et al.
 D765,638 S 9/2016 Gaylord et al.
 D765,644 S 9/2016 Witter et al.
 D765,645 S 9/2016 Kim
 D767,554 S 9/2016 Bertrand et al.
 D771,612 S 11/2016 Roberts et al.
 D771,613 S 11/2016 Poon et al.
 D772,211 S 11/2016 Poon et al.
 D773,445 S 12/2016 Witter et al.
 D776,647 S 1/2017 Kim
 D777,157 S 1/2017 Kim
 D777,159 S 1/2017 Lee et al.
 D778,271 S 2/2017 Stump et al.
 D781,835 S 3/2017 Kim et al.
 D781,836 S 3/2017 Kim et al.
 D781,837 S 3/2017 Kim et al.
 D781,838 S 3/2017 Kim et al.
 D781,839 S 3/2017 Kim et al.
 D781,840 S 3/2017 Kim et al.
 D782,453 S 3/2017 Kim et al.

(56) **References Cited**

U.S. PATENT DOCUMENTS

D105,038 S * 6/1937 Turpan D5/47
 D515,809 S * 2/2006 Perella D3/232
 D567,783 S * 4/2008 Lee D14/138 AB
 D574,819 S 8/2008 Andre et al.
 D599,788 S * 9/2009 Nuovo D14/248
 D615,077 S 5/2010 Richardson et al.
 D615,536 S 5/2010 Richardson et al.
 D623,639 S 9/2010 Richardson et al.
 D623,640 S 9/2010 Freeman
 D640,246 S * 6/2011 Liu D14/248
 D643,029 S 8/2011 Feng
 D643,837 S 8/2011 Smith
 D648,332 S 11/2011 Kim et al.



D782,454 S	3/2017	Kim et al.	
D782,460 S	3/2017	Bertrand et al.	
D784,309 S	4/2017	Lee et al.	
D786,848 S	5/2017	Park et al.	
D786,849 S	5/2017	Park et al.	
D786,853 S	5/2017	Friedland et al.	
D792,394 S	7/2017	Lee et al.	
D795,237 S	8/2017	Jung et al.	
D797,715 S	9/2017	Kim	
D800,714 S	10/2017	Lee et al.	
D801,323 S	10/2017	Kim	
D808,372 S	1/2018	Brown et al.	
D816,074 S	* 4/2018	Deng	D14/250
D821,380 S	* 6/2018	Cramer et al.	
D832,246 S	* 10/2018	Kim	D14/250
D834,571 S	11/2018	Ravid	
D834,581 S	11/2018	Li	
D836,095 S	12/2018	Kim et al.	
D839,255 S	1/2019	Roberts et al.	
D839,860 S	* 2/2019	Kim	D14/250
D840,990 S	2/2019	Kim	
D840,991 S	2/2019	Kim	
D845,290 S	4/2019	Brubaker et al.	
D848,996 S	* 5/2019	Kim	D14/250
D848,997 S	* 5/2019	Kim	D14/250
D851,078 S	* 6/2019	Yuan	D14/250
D851,083 S	* 6/2019	Kim	D14/250
D851,638 S	6/2019	Kim et al.	
D851,639 S	* 6/2019	Kim	D14/250
D852,180 S	* 6/2019	Kim	D14/250
10,362,847 B1	* 7/2019	Okada	A45C 11/00
D855,608 S	* 8/2019	Kim	D14/250
D855,610 S	* 8/2019	Wei	D14/250
D857,682 S	* 8/2019	Wang	D14/250
D857,683 S	* 8/2019	Kim	D14/250
D862,443 S	* 10/2019	Kim	D14/250
D863,279 S	* 10/2019	Kim	D14/250
D877,731 S	* 3/2020	Kim	D14/250

OTHER PUBLICATIONS

“Installation video of SGP Neo Hybrid Case”, <https://www.youtube.com/watch?v=mVASro4MsEg>, Downloaded Oct. 30, 2009.

“Installation video of SGP Neo Hybrid2”, https://www.youtube.com/watch?v=y5_NdOVO2o, Downloaded May 25, 2010.

“Installation video of SGP NEO Hybrid EX on iPhone 4”, <https://www.youtube.com/watch?v=Z-IRDIH1w0E>, Downloaded Sep. 3, 2010.

“SGP Neo Hybrid Matte Series Case for the iPhone 4”, <https://www.youtube.com/watch?v=fOH74451I-8>, Downloaded Sep. 22, 2010.

“SGP iPhone 4 Case Neo Hybrid Matte Series Gun Metal”, <https://www.amazon.com/dp/B004FIIQ7E>, Earliest review date of Dec. 3, 2010, Downloaded on Aug. 15, 2018.

“Installation video of SGP NEO Hybrid on iPhone 4”, <https://www.youtube.com/watch?v=GnVusVoDrOc>, Downloaded Dec. 15, 2010.

“Installation video of SGP Case NEO Hybrid EX on Galaxy S2”, <https://www.youtube.com/watch?v=ZPhSIAUxXWg>, Downloaded Aug. 24, 2011.

“Spigen SGP NEO Hybrid 2S iPhone 4S & Neo Hybrid Galaxy S2 LTE”, <https://www.youtube.com/watch?v=SLzDq11dyiY>, Downloaded Nov. 21, 2011.

“Spigen SGP NEO Hybrid case for iPhone 4S”, <https://www.youtube.com/watch?v=nLvPhRyX3g>, Downloaded Mar. 22, 2011.

“NEO Hybrid Case for Galaxy S3”, <https://www.youtube.com/watch?v=IgpahRniVku>, Downloaded Jun. 27, 2012.

“Installation video of Spigen SGP Case Neo Hybrid EX on iPhone 5”, <https://www.youtube.com/watch?v=X2GAS9FT6U4>, Downloaded Oct. 11, 2012.

“Spigen Neo Hybrid Galaxy S4 Case with Flexible Inner Protection and Reinforced Hard Bumper Frame for Galaxy S4 2013—Dante Red”, <https://www.amazon.com/dp/B00BYJXI1Y>, Earliest review date of May 9, 2013, Downloaded on Jan. 22, 2019.

“Spigen Neo Hybrid iPhone 5 & 5s Case Review”, <https://www.youtube.com/watch?v=vTvTYZfSmal>, Downloaded Jul. 21, 2013.

“Spigen SGP Neo Hybrid for Galaxy Note 3 Review”, <https://www.youtube.com/watch?v=W80JtBDSckk>, Downloaded Nov. 3, 2013.

“Spigen Neo Hybrid Galaxy S5 Case with Flexible Inner Protection and Reinforced Hard Bumper Frame for Samsung Galaxy S5 2014—Electric Blue”, <https://www.amazon.com/dp/B0013UWJJY>, Earliest review date of Apr. 12, 2014, Downloaded on Jan. 22, 2019.

“Gold Apple iPhone 5 5S Hybrid Shockproof Hard Bumper Spft Case Cover Skin”, <https://www.nywatchstore.com/goapip55shys.html>, Earliest review date of Mar. 21, 2016, Downloaded on Jan. 22, 2019.

“Spigen Neo Hybrid iPhone 6 Case with Flexible Inner Protection and Reinforced Hard Bumper Frame for iPhone 6S / iPhone 6—Gunmetal”, <https://www.amazon.com/dp/B00LL6ZPXY>, Earliest review date of Aug. 28, 20140828, Downloaded on Dec. 18, 2018.

“Spigen Neo Hybrid EX iPhone 6 Case with Flexible Inner Bumper and Reinforced Hard Frame for iPhone 6S/iPhone 6—EX Satin Silver”, <https://www.amazon.com/dp/B00LL6RZ3C>, Earliest review date of Sep. 6, 2014, Downloaded on Dec. 18, 2018.

“Spigen Neo Hybrid Nexus 6 Case with Flexible Inner Protection and Reinforced Hard Bumper Frame for Google Nexus 6 2014—Dante Red”, <https://www.amazon.com/dp/B000H4HKGC>, Earliest review date of Nov. 16, 2014, Downloaded on Dec. 18, 2018.

“Spigen Neo Hybrid Galaxy S6 Case with Flexible Inner Protection and Reinforced Hard Bumper Frame for Galaxy S6 2015—Satin Silver”, <https://www.amazon.com/dp/B00QU4Q31A>, Earliest review date of Mar. 6, 2015, Downloaded on Dec. 18, 2018.

“Spigen Neo Hybrid Galaxy S6 Edge Case with Flexible Inner Protection and Reinforced Hard Bumper Frame for Galaxy S6 Edge 2015—Gunmetal”, <https://www.amazon.com/dp/B00SV635BG>, Earliest review date of Mar. 19, 2015, Downloaded on Dec. 18, 2018.

“Spigen Neo Hybrid CC Galaxy S6 Case with Flexible Inner Casing and Reinforced Hard Bumper Frame for Galaxy S6 2015—Satin Silver”, <https://www.amazon.com/dp/B00UMDOZLU>, Earliest review date of Mar. 25, 2015, Downloaded on Dec. 12, 2018.

“Spigen Neo Hybrid CC Galaxy S6 Edge Case with Flexible Inner Casing and Reinforced Hard Bumper Frame for Galaxy S6 Edge 2015—Blue Topaz”, <https://www.amazon.com/dp/B00USAPGKQ>, Earliest review date of Apr. 4, 2015, Downloaded on Dec. 18, 2018.

“Spigen Neo Hybrid Carbon Galaxy S6 Edge Plus Case with Carbon Fiber Design and Reinforced Hard Bumper Frame for Galaxy S6 Edge Plus 2015—Dante Red”, <https://www.amazon.com/dp/B010MWHZS0>, Earliest review date of Aug. 18, 2015, Downloaded on Dec. 18, 2018.

“Spigen Neo Hybrid Crystal Galaxy Note 5 Case with Flexible Inner Casing and Reinforced Hard Bumper Frame for Galaxy Note 5 2015—Champagne Gold”, <https://www.amazon.com/dp/B010MWIG1K>, Earliest review date of Aug. 22, 2015, Downloaded on Dec. 18, 2018.

“iPhone 6s Case, Spigen [Neo Hybrid EX] Premium Bumper [Rose Gold] Clear TPU / PC Frame Slim Dual Layer Premium Case for iPhone 6 (2014) / 6s (2015)—Rose Gold (SGP11725)”, <https://www.amazon.com/dp/B012PKV30S>, Earliest review date of Aug. 28, 2015, Downloaded on Dec. 18, 2018.

“Spigen Neo Hybrid iPhone 6S Case with Flexible Inner Protection and Reinforced Hard Bumper Frame for iPhone 6S 2015—Gunmetal”, <https://www.amazon.com/dp/B010MVIZTE>, Earliest review date of Sep. 1, 2019, Downloaded on Dec. 18, 2018.

“Spigen Neo Hybrid Carbon iPhone 6s Case with Carbon Fiber Design and Reinforced Hard Bumper Frame for Apple iPhone 6s / iPhone 6 (2015)—Reventon Yellow”, <https://www.amazon.com/dp/B010MVJ508>, Earliest review date of Sep. 1, 2015, Downloaded on Dec. 18, 2018.

“Spigen Neo Hybrid EX iPhone 6S Plus Case with Flexible Inner Bumper and Reinforced Hard Frame for iPhone 6S Plus/iPhone 6 Plus—Champagne Gold”, <https://www.amazon.com/dp/B010MVR16>, Earliest review date of Sep. 4, 2015, Downloaded on Dec. 18, 2018.

“iPhone 6S Plus Case, Caseology [Wavelength Series] Slim Fit Military-Grade Drop Protection [Navy Blue] for Apple iPhone 6S Plus (2015) & iPhone 6 Plus (2014)”, <https://www.amazon.com/dp/B013W2C77G>, Earliest review date of Sep. 10, 2015, Downloaded on Mar. 13, 2018.

“Spigen Neo Hybrid Carbon iPhone 6S Plus Case with Carbon Fiber Design and Reinforced Hard Bumper Frame for iPhone 6S Plus 2015—Gunmetal”, <https://www.amazon.com/dp/B010MVRGMQ>, Earliest review date of Sep. 11, 2015, Downloaded on Dec. 18, 2018.

“Spigen Neo Hybrid LG G7 Case/LG G7 ThinQ Case with Flexible Herringbone Pattern Protection and Reinforced Hard Bumper Frame for LG G7 ThinQ (2018)—Gunmetal”, <https://www.amazon.com/dp/B078MPT645>, Earliest review date of Jun. 4, 2018, Downloaded on Dec. 18, 2018.

“iPhone SE Case, for Apple iPhone 5S/5 Case, Rock [Royce] Antiscratch Drop Protection Slim Fit Dual Layered Heavy Duty Armor Hybrid Hard PC + Soft TPU Protective Shell Case Champagne Gold/Black”, <https://www.amazon.com/dp/B014A8AM7I>, Earliest review date of Oct. 16, 2015, Downloaded on Jan. 30, 2019.

“Spigen Neo Hybrid EX Nexus 6P Case with Flexible Inner Bumper and Reinforced Hard Frame for Nexus 6P 2015—Gunmetal”, <https://www.amazon.com/dp/B0184I8Z4W>, Earliest review date of Oct. 20, 2015, Downloaded on Dec. 18, 2018.

“Spigen Neo Hybrid Galaxy A8 Case with Flexible Inner Protection and Reinforced Hard Bumper Frame for Galaxy A8 (2018)—Gunmetal”, <https://www.amazon.com/dp/B077MW27DR>, Earliest review date of Apr. 27, 2018, Downloaded on Dec. 18, 2018.

George Tinari, “Caseology review: Testing 4 of the nicest iPhone 6s cases available”, <http://www.cultofmac.com/category/reviews/>, Downloaded on Nov. 28, 2015.

“Spigen Neo Hybrid Crystal Galaxy S7 Edge Case with Flexible Inner Casing and Reinforced Hard Bumper Frame for Samsung Galaxy S7 Edge 2016—Satin Silver”, <https://www.amazon.com/dp/B01A7IDQV4>, Earliest review date of Feb. 22, 2016, Downloaded on Dec. 18, 2018.

“Spigen Neo Hybrid Galaxy S7 Case with Flexible Inner Protection and Reinforced Hard Bumper Frame for Samsung Galaxy S7 2016—Gunmetal”, <https://www.amazon.com/dp/B01B1I6J0E>, Earliest review date of Feb. 27, 2016, Downloaded on Dec. 18, 2018.

“Spigen Neo Hybrid Galaxy S7 Edge Case with Flexible Inner Protection and Reinforced Hard Bumper Frame for Samsung Galaxy S7 Edge 2016—Satin Silver”, <https://www.amazon.com/dp/B01B1I6JMM>, Earliest review date of Feb. 27, 2016, Downloaded on Dec. 18, 2018.

“Spigen Neo Hybrid Crystal Galaxy S7 Case with Flexible Inner Casing and Reinforced Hard Bumper Frame for Samsung Galaxy S7 2016—Champagne Gold”, <https://www.amazon.com/dp/B01B29WCOY>, Earliest review date of Mar. 3, 2016, Downloaded on Dec. 18, 2018.

“Rock PC+TPU Neo Hybrid Durable Slim Armor cover case for iPhone SE Plus”, <https://www.ebay.com/itm/ROCK-PC-TPU-Neo-Hybrid-Durable-Slim-Armor-cover-case-for-iphone-X-6S-5S-SE-Plus-/111952466831>, Earliest review date of Mar. 30, 2016, Downloaded on Mar. 9, 2018.

“Spigen Neo Hybrid iPhone SE Case with Flexible Inner Protection and Reinforced Hard Bumper Frame for iPhone SE 2016—Gunmetal”, <https://www.amazon.com/dp/B01BEJBBSK>, Earliest review date of Apr. 6, 2016, Downloaded on Dec. 20, 2018.

“Spigen Neo Hybrid Crystal iPhone SE Case with Flexible Inner Casing and Reinforced Hard Bumper Frame for iPhone SE 2016—Rose Gold”, <https://www.amazon.com/dp/B01BEJB7TI>, Earliest review date of Apr. 7, 2016, Downloaded on Dec. 18, 2018.

“Spigen Neo Hybrid NC Galaxy S9 Plus Case with Disassemblable Top and Bottom Frames with Clear Rigid Back for 2018 Samsung Galaxy S9 Plus—Lilac Purple”, <https://www.amazon.com/dp/B07CZ981353>, Earliest review date of Apr. 25, 2018, Downloaded on Dec. 18, 2018.

“Spigen Neo Hybrid Crystal LG G5 Case with Flexible Inner Casing and Reinforced Hard Bumper Frame for LG G5 2016—Champagne Gold”, <https://www.amazon.com/dp/B01B1GOKIC>, Earliest review date of Apr. 17, 2016, Downloaded on Dec. 18, 2018.

“Spigen Neo Hybrid OnePlus 3 Case/OnePlus 3T Case with Flexible Inner Protection and Reinforced Hard Bumper Frame for OnePlus 3 2016—Gunmetal”, <https://www.amazon.com/dp/B01H3PF76Q>, Earliest review date of Aug. 9, 2016, Downloaded on Dec. 18, 2018.

“Rock Royce Hybrid Case for Apple iPhone 5 5S & SE Iron Grey”, <https://www.gadgetwear.co.uk/products/rock-oyce-hybrid-case-for-apple-iphone-5-5s-se-iron-grey>, Earliest review date of Aug. 26, 2016, Downloaded on Mar. 9, 2018.

“Spigen Neo Hybrid NC Galaxy S9 Case with Disassemblable Top and Bottom Frames with Clear Rigid Back for 2018 Samsung Galaxy S9—Lilac Purple”, <https://www.amazon.com/dp/B07CZ7WJLR>, Earliest review date of Apr. 25, 2018, Downloaded on Dec. 18, 2018.

“Spigen Neo Hybrid Galaxy S9 Case with Flexible Herringbone Pattern Protection and Reinforced Hard Bumper Frame for Samsung Galaxy S9 (2018)—Gunmetal”, <https://www.amazon.com/dp/B078BFJ2YR>, Earliest review date of Mar. 7, 2018, Downloaded on Dec. 18, 2018.

“Spigen Neo Hybrid Galaxy S9 Plus Case with Flexible Herringbone Pattern Protection and Reinforced Hard Bumper Frame for Samsung Galaxy S9 Plus (2018)—Gunmetal”, <https://www.amazon.com/dp/B0789S2LZH>, Earliest review late of Mar. 4, 2018, Downloaded on Dec. 18, 2018.

“Spigen Neo Hybrid Crystal iPhone 7 Plus Case with Flexible Casing and Hard Bumper Frame for Apple iPhone 7 Plus 2016—Champagne Gold”, <https://www.amazon.com/dp/B01GIWHKXI>, Earliest review date of Sep. 8, 2016, Downloaded on Dec. 18, 2018.

“Spigen Neo Hybrid iPhone 7 Case with Flexible Inner Protection and Reinforced Hard Bumper Frame for iPhone 7 2016—Gunmetal”, <https://www.amazon.com/dp/B01GIVXKUG>, Earliest review date of Sep. 8, 2016, Downloaded on Dec. 18, 2018.

“Spigen Neo Hybrid Herringbone Google Pixel 2 Case with Flexible Inner Protection and Reinforced Hard Bumper Frame for Google Pixel 2 (2017)—Gunmetal”, <https://www.amazon.com/dp/B0746Z1KYN>, Earliest review date of Nov. 2, 2017, Downloaded on Dec. 18, 2018.

“Spigen Neo Hybrid Crystal iPhone 7 Case with Flexible Inner Casing and Reinforced Hard Bumper Frame for iPhone 7 2016—Rose Gold”, <https://www.amazon.com/dp/B01GIVXV2>, Earliest review date of Sep. 14, 2016, Downloaded on Dec. 18, 2018.

“Spigen Neo Hybrid iPhone 7 Plus Case with Flexible Inner Protection and Hard Bumper Frame for Apple iPhone 7 Plus (2016)—Gunmetal”, <https://www.amazon.com/dp/B01G1WH6H8>, Earliest review date of Sep. 14, 2016, Downloaded on Dec. 18, 2018.

“Spigen Neo Hybrid Google Pixel XL Case with Flexible Inner Protection and Reinforced Hard Bumper Frame for Google Pixel XL 2016—Satin Silver”, <https://www.amazon.com/dp/B01LZW1LW3>, Earliest review date of Oct. 23, 2016, Downloaded on Dec. 18, 2018.

“Spigen Neo Hybrid Crystal Google Pixel Case with Flexible Inner Casing and Reinforced Hard Bumper Frame for Google Pixel 2016—Gunmetal”, <https://www.amazon.com/dp/B01M03SL8Y>, Earliest review date of Dec. 14, 2016, Downloaded on Dec. 20, 2018.

“Spigen Neo Hybrid Crystal Google Pixel XL Case with Flexible Inner Casing and Reinforced Hard Bumper Frame for Google Pixel XL 2016—Gunmetal”, <https://www.amazon.com/dp/B01LZS6PON>, Earliest review date of Dec. 15, 2016, Downloaded on Dec. 18, 2018.

“Spigen Neo Hybrid Huawei P10 Lite Case with Flexible Inner Protection and Reinforced Hard Bumper Frame for Huawei P10 Lite (2017)—Champagne Gold”, <https://www.amazon.com/dp/B06XD1Z6XW>, Earliest review date of Oct. 30, 2017, Downloaded on Dec. 18, 2018.

“Spigen Neo Hybrid Google Pixel Case with Flexible Inner Protection and Reinforced Hard Bumper Frame for Google Pixel 2016—Blue”, <https://www.amazon.com/dp/B01N3VR9EA>, Earliest review date of Jan. 10, 2017, Downloaded on Dec. 18, 2018.

“Spigen Neo Hybrid Herringbone Google Pixel 2 XL Case with Flexible Inner Protection and Reinforced Hard Bumper Frame for Google Pixel 2 XL (2017)—Gunmetal”, <https://www.amazon.com/dp/B07474WTCG>, Earliest review date of Oct. 30, 2017, Downloaded on Dec. 18, 2018.

“Spigen Neo Hybrid Huawei Y6 Case with Flexible Inner Protection and Reinforced Hard Bumper Frame for Huawei Y6 2015—

Champagne Gold”, <https://www.amazon.com/dp/B0182SKWUO>, Earliest review date of Feb. 13, 2017, Downloaded on Dec. 18, 2018.

“Spigen Neo Hybrid LG G6 Case Herringbone with Flexible Inner Protection and Reinforced Hard Bumper Frame for LG G6 (2017)—Satin Silver”, <https://www.amazon.com/dp/B01MR8C5Z7>, Earliest review date of Mar. 25, 2017, Downloaded on Dec. 18, 2018.

“Spigen Neo Hybrid Galaxy S8 Plus Case Herringbone with Flexible Inner Protection and Reinforced Hard Bumper Frame for Galaxy S8 Plus (2017)—Gunmetal”, <https://www.amazon.com/dp/B06XP6CRP5>, Earliest review date of Apr. 2, 2017, Downloaded on Dec. 18, 2018.

“Spigen Neo Hybrid Galaxy S8 Case Herringbone with Flexible Inner Protection and Reinforced Hard Bumper Frame for Samsung Galaxy S8 (2017)—Gunmetal”, <https://www.amazon.com/dp/B06XP521V1>, Earliest review date of Apr. 6, 2017, Downloaded on Dec. 18, 2018.

“Spigen Neo Hybrid Crystal Glitter Galaxy S8 Case with Flexible Inner Casing and Reinforced Hard Bumper Frame for Samsung Galaxy S8 (2017)—Space Quartz”, <https://www.amazon.com/dp/B06XP5KTXN>, Earliest review date of Apr. 15, 2017, Downloaded on Dec. 18, 2018.

“Spigen Neo Hybrid Crystal Galaxy S8 Plus Case with Clear Hard Casing and Reinforced Hard Bumper Frame for Galaxy S8 Plus (2017)—Gunmetal”, <https://www.amazon.com/dp/B06XP5HHV1>, Earliest review date of Apr. 20, 2017, Downloaded on Dec. 18, 2018.

“Spigen Neo Hybrid Crystal Glitter Galaxy S8 Plus Case with Flexible Inner Protection and Reinforced Hard Bumper Frame for Galaxy S8 Plus (2017)—Space Quartz”, <https://www.amazon.com/dp/B06XNW4WS9>, Earliest review date of Apr. 20, 2017, Downloaded on Dec. 18, 2018.

“Spigen Neo Hybrid Crystal Galaxy S6 Edge Plus Case with Flexible Inner Casing and Reinforced Hard Bumper Frame for Galaxy S6 Edge Plus 2015—Blue Topaz”, <https://www.amazon.com/dp/B010MWIIXQ>, Earliest review date of Jun. 25, 2017, Downloaded on Dec. 18, 2018.

“Spigen Neo Hybrid OnePlus 5 Case with Flexible Inner Protection and Reinforced Hard Bumper Frame for OnePlus 5 (2017)—Gunmetal”, <https://www.amazon.com/dp/B06XG24Q98>, Earliest review date of Aug. 23, 2017, Downloaded on Dec. 18, 2018.

“Spigen Neo Hybrid Galaxy Note 8 Case with Herringbone Flexible Inner Protection and Reinforced Hard Bumper Frame for Galaxy Note 8 (2017)—Gunmetal”, <https://www.amazon.com/dp/B073RWTZ5V>, Earliest review date of Aug. 27, 2017, Downloaded on Dec. 18, 2018.

“Spigen Neo Hybrid Crystal Galaxy Note 8 Case with Clear Hard Casing and Reinforced Hard Bumper Frame for Galaxy Note 8 (2017)—Gunmetal”, <https://www.amazon.com/dp/B073R79115>, Earliest review date of Aug. 28, 2017, Downloaded on Dec. 18, 2018.

“Spigen Neo Hybrid Herringbone iPhone 8 Plus Case/iPhone 7 Plus Case with Hard Bumper Frame for Apple iPhone 8 Plus (2017) / Apple iPhone 7 Plus (2016)—Black & Gunmetal”, <https://www.amazon.com/dp/B07482D1JW>, Earliest review date of Sep. 12, 2017, Downloaded on Dec. 18, 2018.

“Spigen Neo Hybrid [2nd Generation] iPhone 8 Plus Case/iPhone 7 Plus Case with Hard Frame for Apple iPhone 8 Plus (2017) / Apple iPhone 7 Plus (2016)—Gunmetal”, <https://www.amazon.com/dp/B07519W92L>, Earliest review date of Sep. 14, 2017, Downloaded on Dec. 18, 2018.

“Spigen Neo Hybrid Herringbone iPhone 8 Case/iPhone 7 Case with Flexible Inner Protection and Reinforced Hard Bumper Frame for Apple iPhone 8 (2017) / iPhone 7 (2016)—Gunmetal”, <https://www.amazon.com/dp/B07482P44X>, Earliest review date of Sep. 20, 2017, Downloaded on Dec. 18, 2018.

“Spigen Neo Hybrid Crystal [2nd Generation] iPhone 8 Case/iPhone 7 Case with Clear Hard Casing and Reinforced Hard Bumper Frame for Apple iPhone 8 (2017) / iPhone 7 (2016)—Gunmetal”, <https://www.amazon.com/dp/B0751C7FF2>, Earliest review date of Sep. 22, 2017, Downloaded on Dec. 18, 2018.

“Spigen Neo Hybrid Crystal [2nd Generation] iPhone 8 Plus Case/iPhone 7 Plus Case with Clear Casing and Hard Bumper Frame for Apple iPhone 8 Plus (2017) / Apple iPhone 7 Plus

(2016)—Rose Gold”, <https://www.amazon.com/dp/B0751D3JTL>, Earliest review date of Sep. 23, 2017, Downloaded on Dec. 18, 2018.

“Spigen Neo Hybrid [2nd Generation] iPhone 8 Case/iPhone 7 Case with Flexible Inner Protection and Reinforced Hard Bumper Frame for Apple iPhone 8 (2017) / iPhone 7 (2016)—Gunmetal”, <https://www.amazon.com/dp/B074Z51MBW>, Earliest review date of Sep. 24, 2017, Downloaded on Dec. 18, 2018.

“Spigen Neo Hybrid Crystal iPhone X Case with Clear Hard Casing and Reinforced Hard Bumper Frame for Apple iPhone X (2017)—Satin Silver”, <https://www.amazon.com/dp/B074CMZ6YV>, Earliest review date of Oct. 5, 2017, Downloaded on Dec. 18, 2018.

“Spigen Neo Hybrid LG V30 Case / V30S / V30 Plus Case Herringbone with Flexible Inner Protection and Reinforced Hard Bumper Frame for LG V30 (2017)—Satin Silver”, <https://www.amazon.com/dp/B0720ZTQWC>, Earliest review date of Oct. 6, 2017, Downloaded on Dec. 18, 2018.

“Spigen Neo Hybrid iPhone X Case Herringbone with Flexible Inner Protection and Reinforced Hard Bumper Frame for Apple iPhone X (2017)—Black & Gunmetal”, <https://www.amazon.com/dp/B074CMNSXV>, Earliest review date of Oct. 30, 2017, Downloaded on Dec. 17, 2018.

* cited by examiner

Primary Examiner — Carla J Wright

(74) *Attorney, Agent, or Firm* — Heedong Chae; Lucem, PC

(57) **CLAIM**

The ornamental design for a case for electronic communications device, as shown and described.

DESCRIPTION

FIG. 1 is a front perspective view of a case for electronic communications device showing my new design;

FIG. 2 is a rear perspective view thereof;

FIG. 3 is a front elevational view thereof;

FIG. 4 is a rear elevational view thereof;

FIG. 5 is a left side elevational view thereof;

FIG. 6 is a right side elevational view thereof;

FIG. 7 is a top plan view thereof;

FIG. 8 is a bottom plan view thereof;

FIG. 9 a front perspective view showing the inner shell component of the case in isolation;

FIG. 10 is a rear perspective view showing the inner shell component of the case in isolation;

FIG. 11 is a front perspective view showing the outer frame component of the case in isolation;

FIG. 12 is a rear perspective view showing the outer frame component of the case in isolation;

FIG. 13 is an exploded front perspective view showing the components of the case separated;

FIG. 14 is an exploded rear perspective view showing the components of the case separated; and,

FIG. 15 is an enlarged detail view of the encircled region of FIG. 4.

For clarity of disclosure, the components of the case for electronic communications device are shown in isolation in FIGS. 9-12 and separated in FIGS. 13-14. Although the case for electronic communications device, in which the claimed design is embodied, has an inner shell component and an outer frame component, the claim is directed to the overall ornamental appearance of the case in its entirety and does not extend to the ornamental appearance of each of the individual components.

The dot-dash broken line circle in FIGS. 4 and 15 delineates a portion of the case that is part of the claimed design and that is shown on an enlarged scale in FIG. 15. The dashed broken lines in FIGS. 2, 10, and 14 depict a portion of the case for electronic communications device that form no part of the claimed design. The dashed broken line in FIGS. 1, 9, and 13 forms no part of the claimed design and, except for the interior regions immediately surrounding the openings and buttons that are bounded by solid lines, the interior surfaces of the case shown in FIGS. 1, 3, 9, and 13 also form no part of the claimed design.

1 Claim, 15 Drawing Sheets

FIG. 1

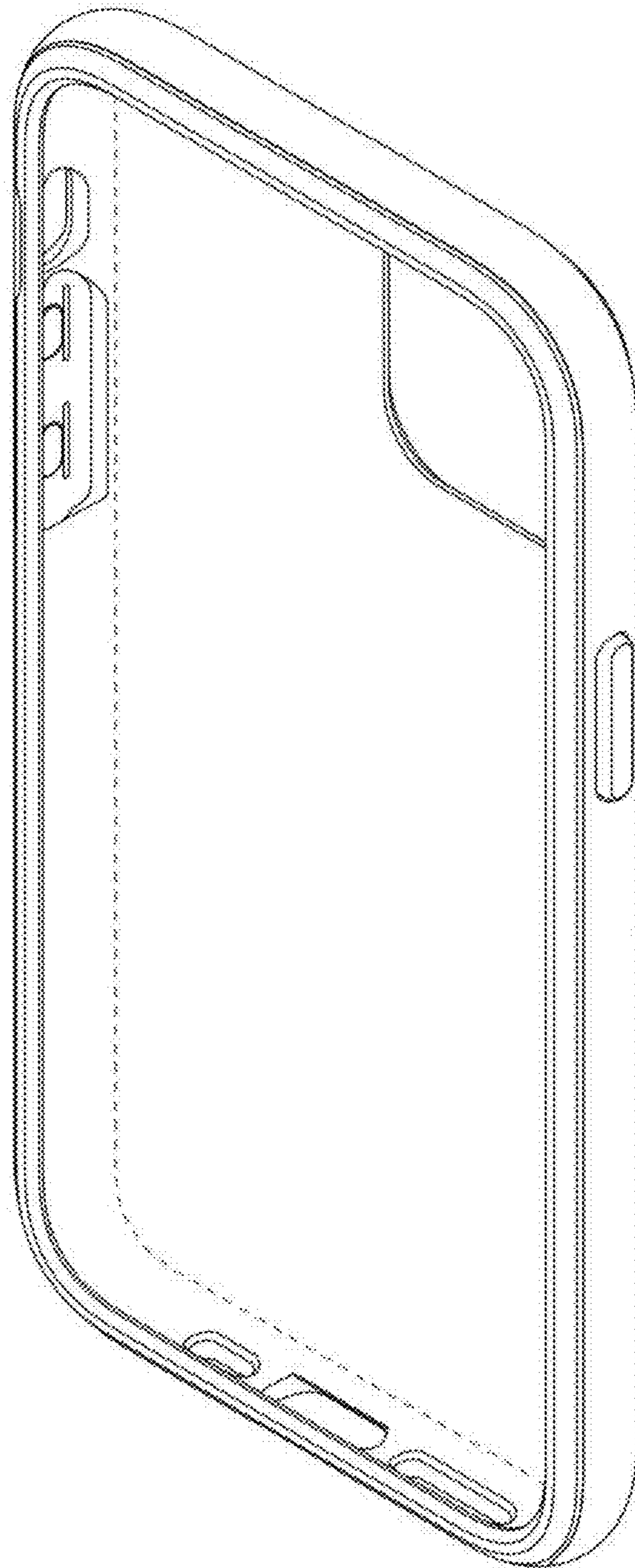


FIG. 2

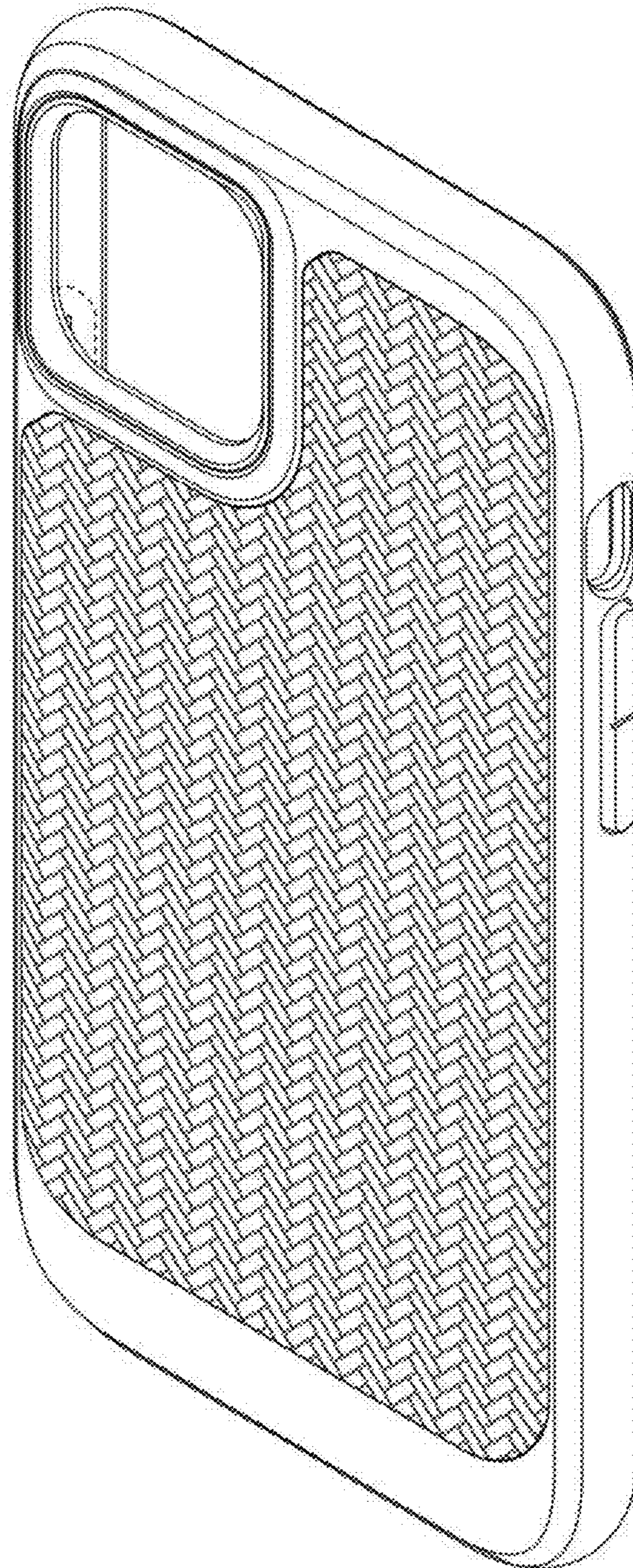


FIG. 3

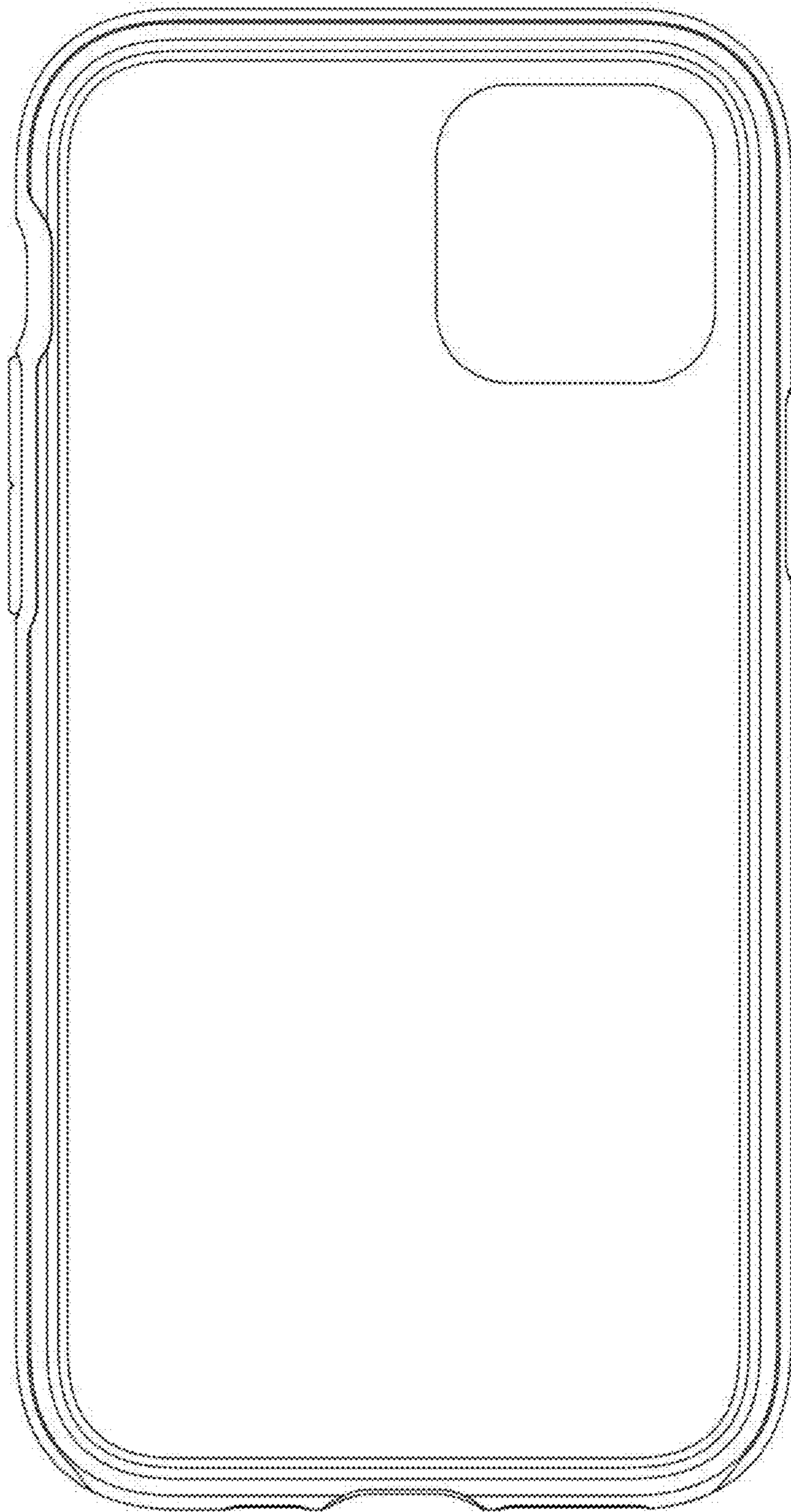


FIG. 4

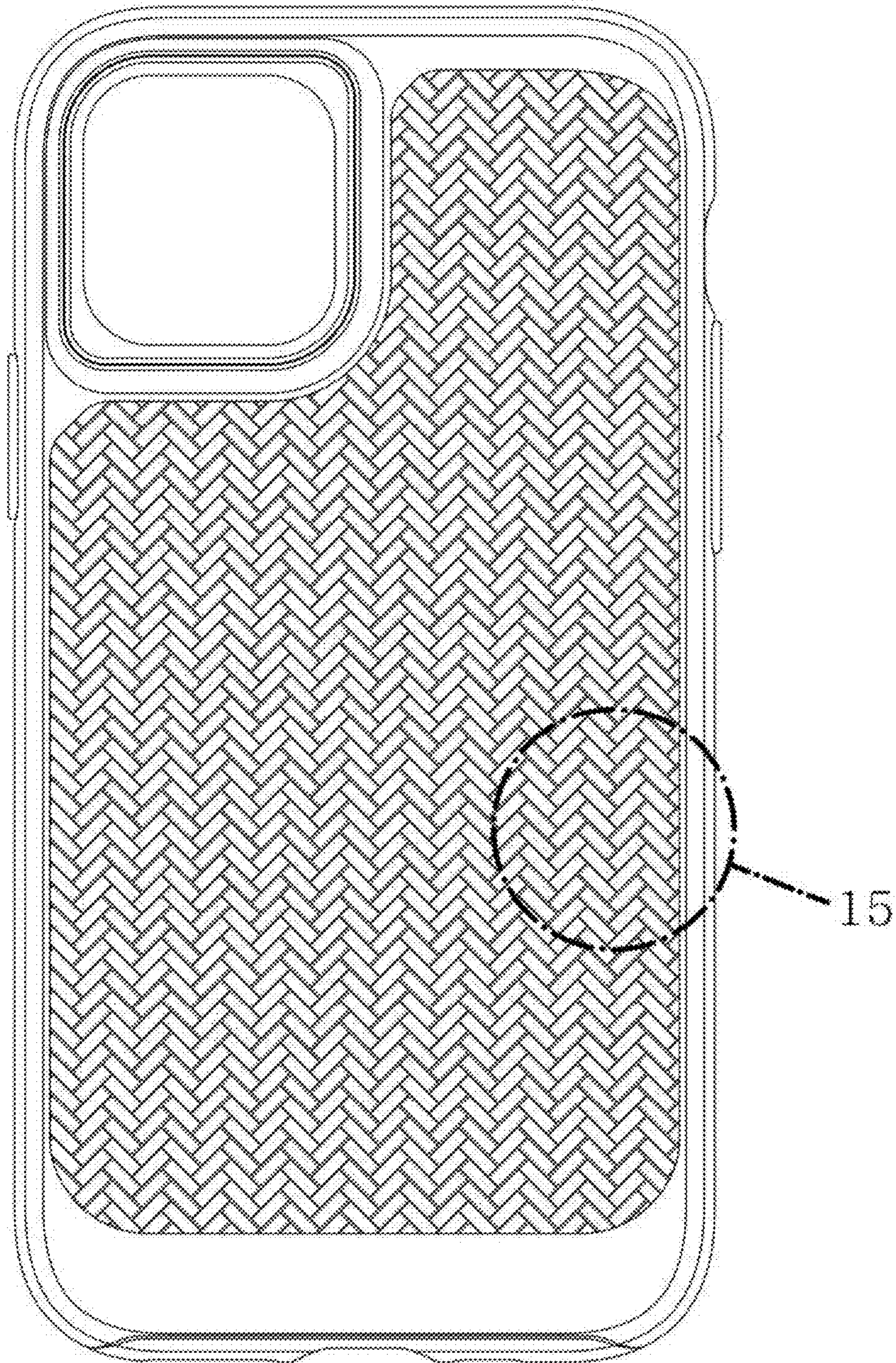


FIG. 5

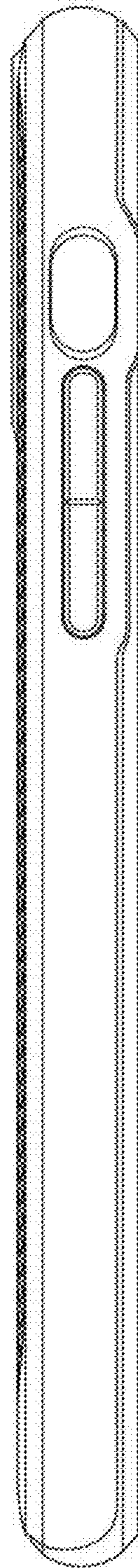


FIG. 6

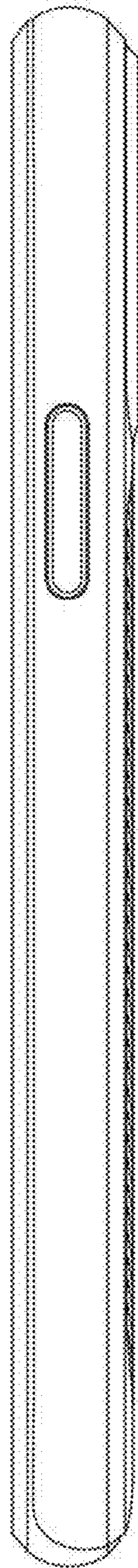


FIG. 7

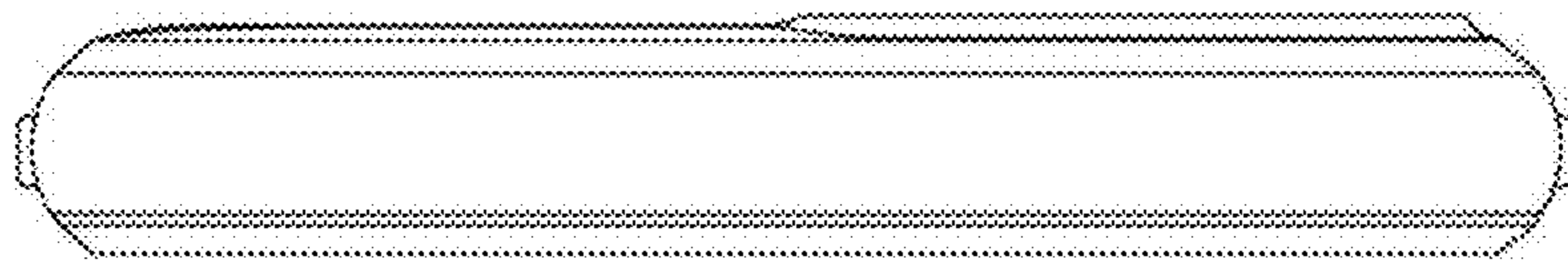


FIG. 8

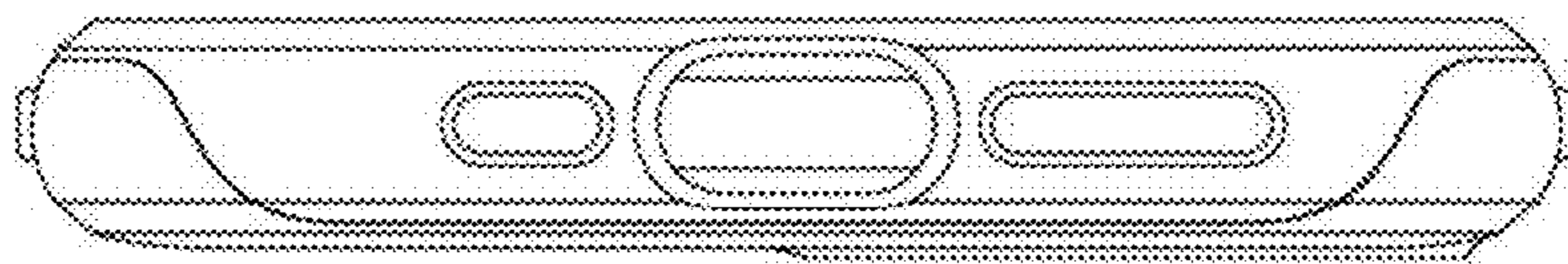


FIG. 9

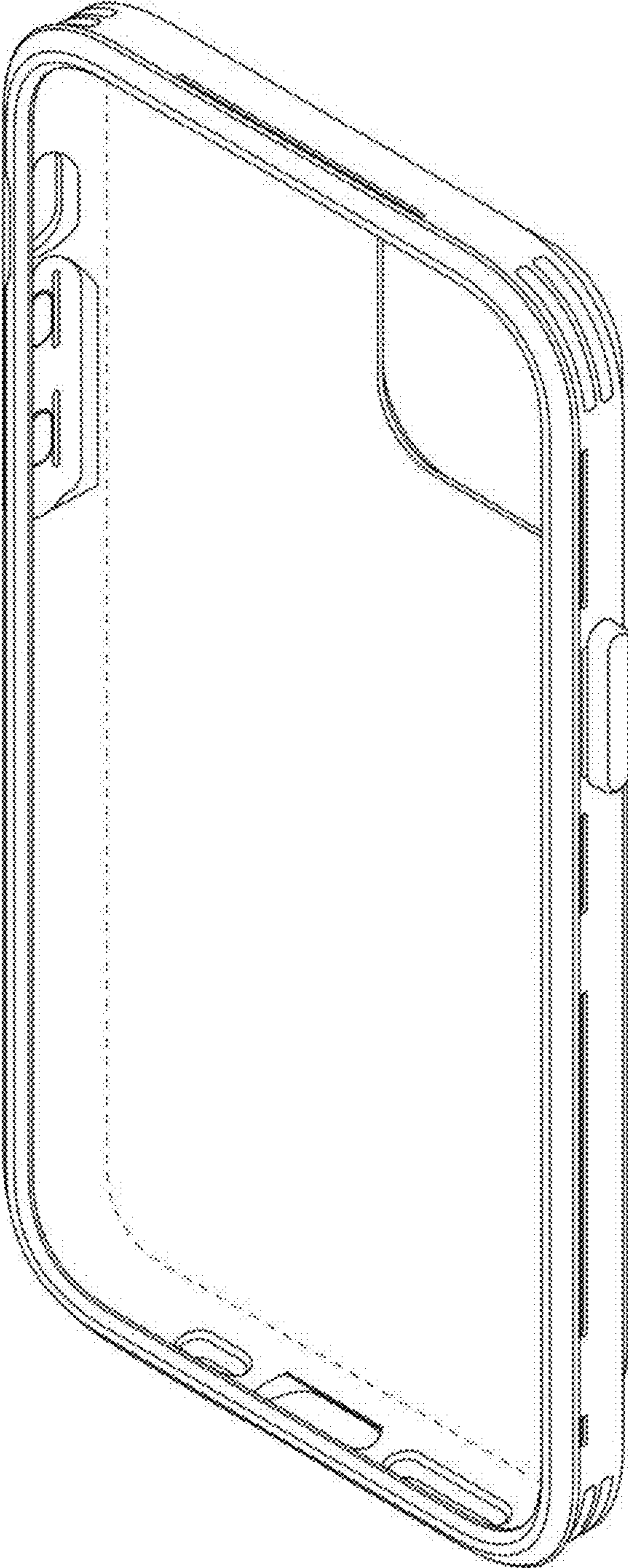


FIG. 10

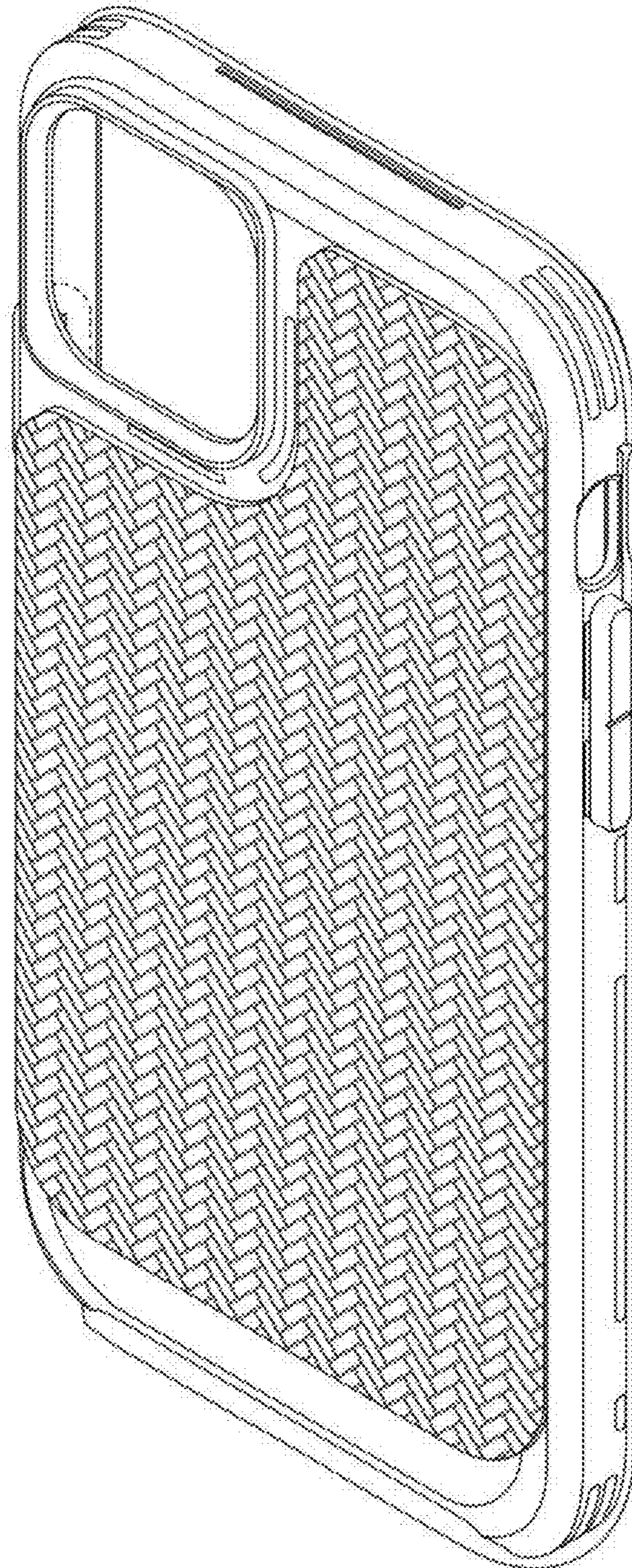


FIG. 11

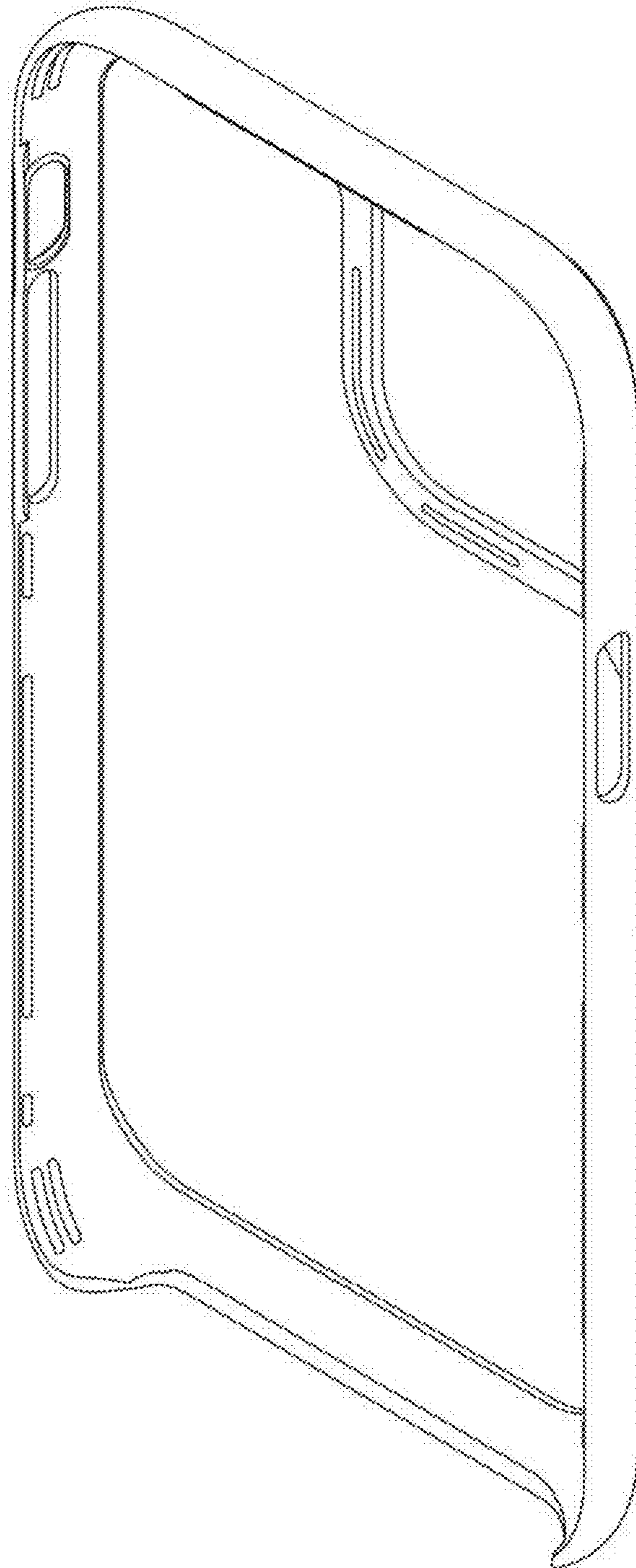


FIG. 12

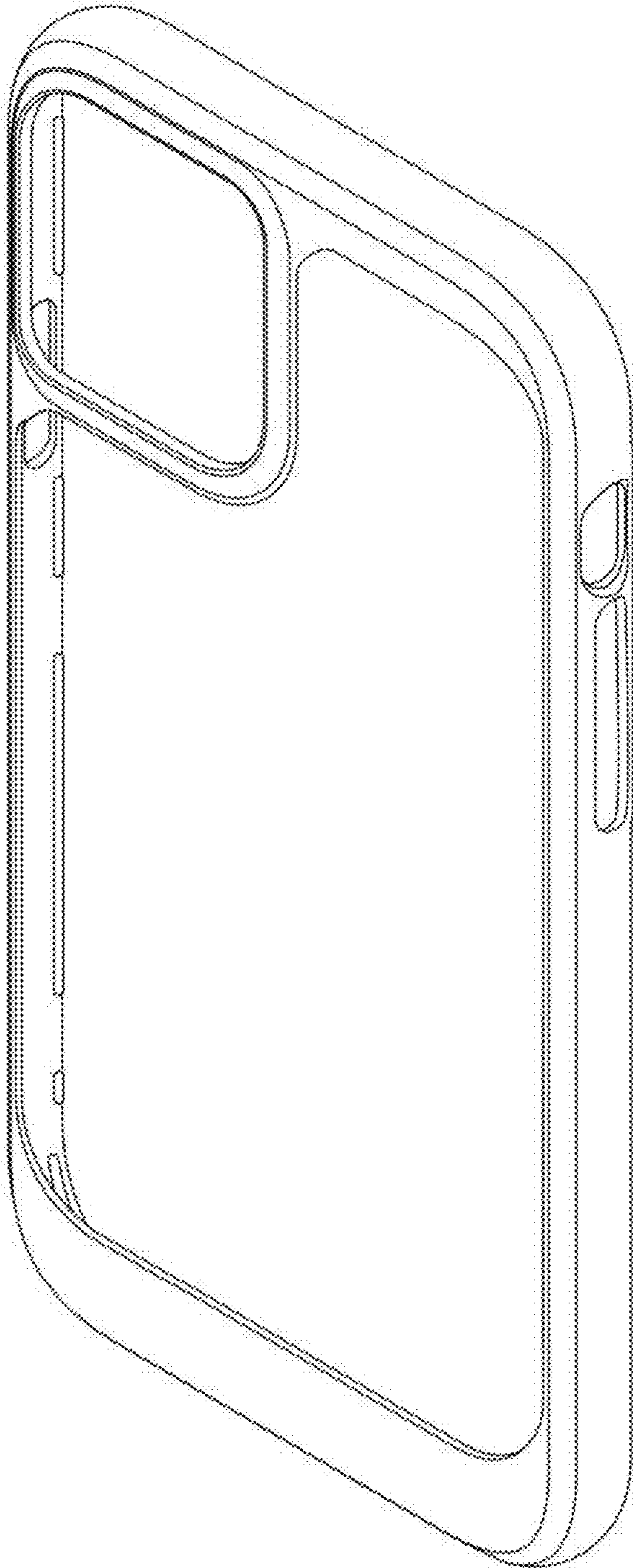


FIG. 13

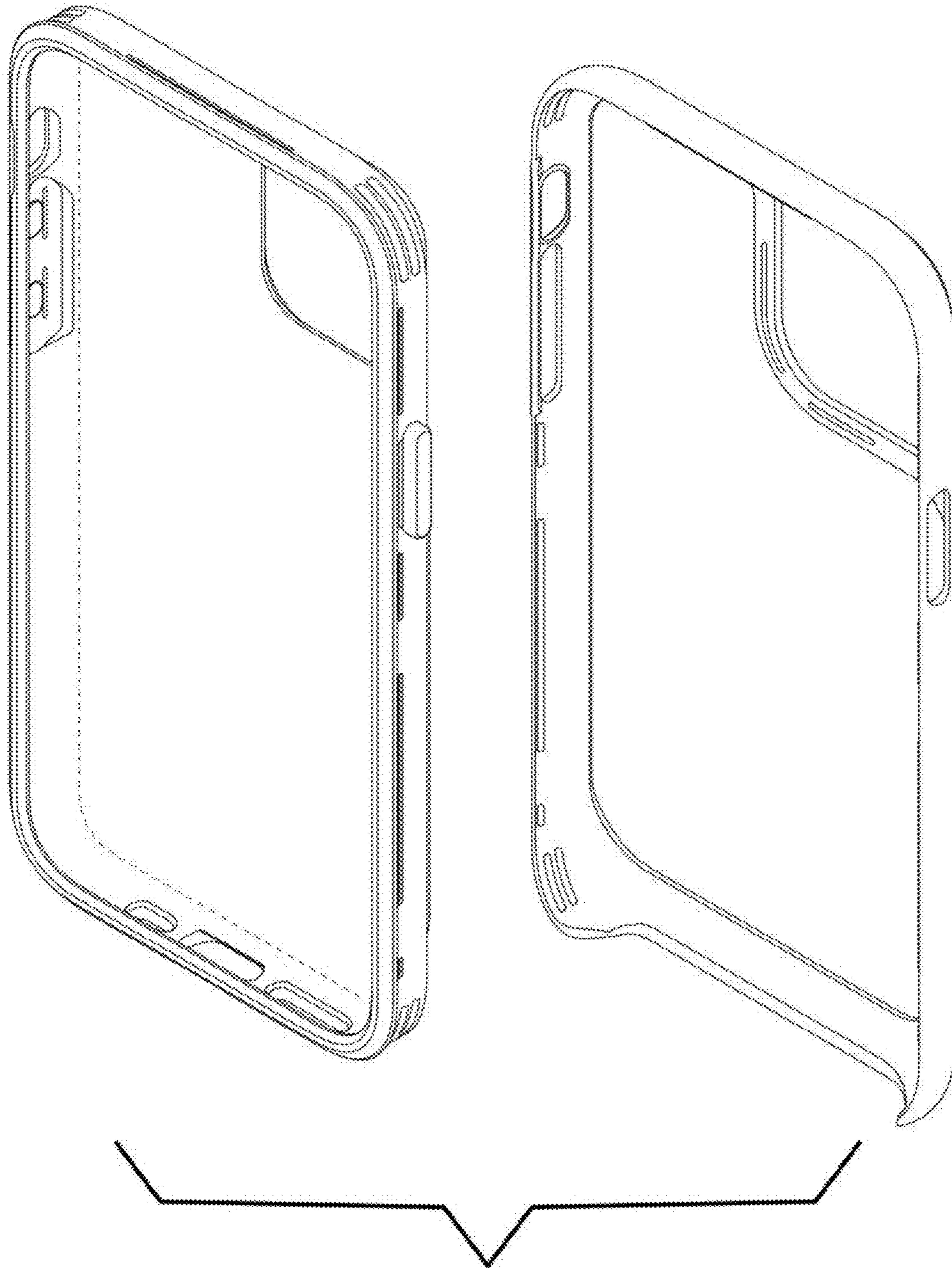


FIG. 14

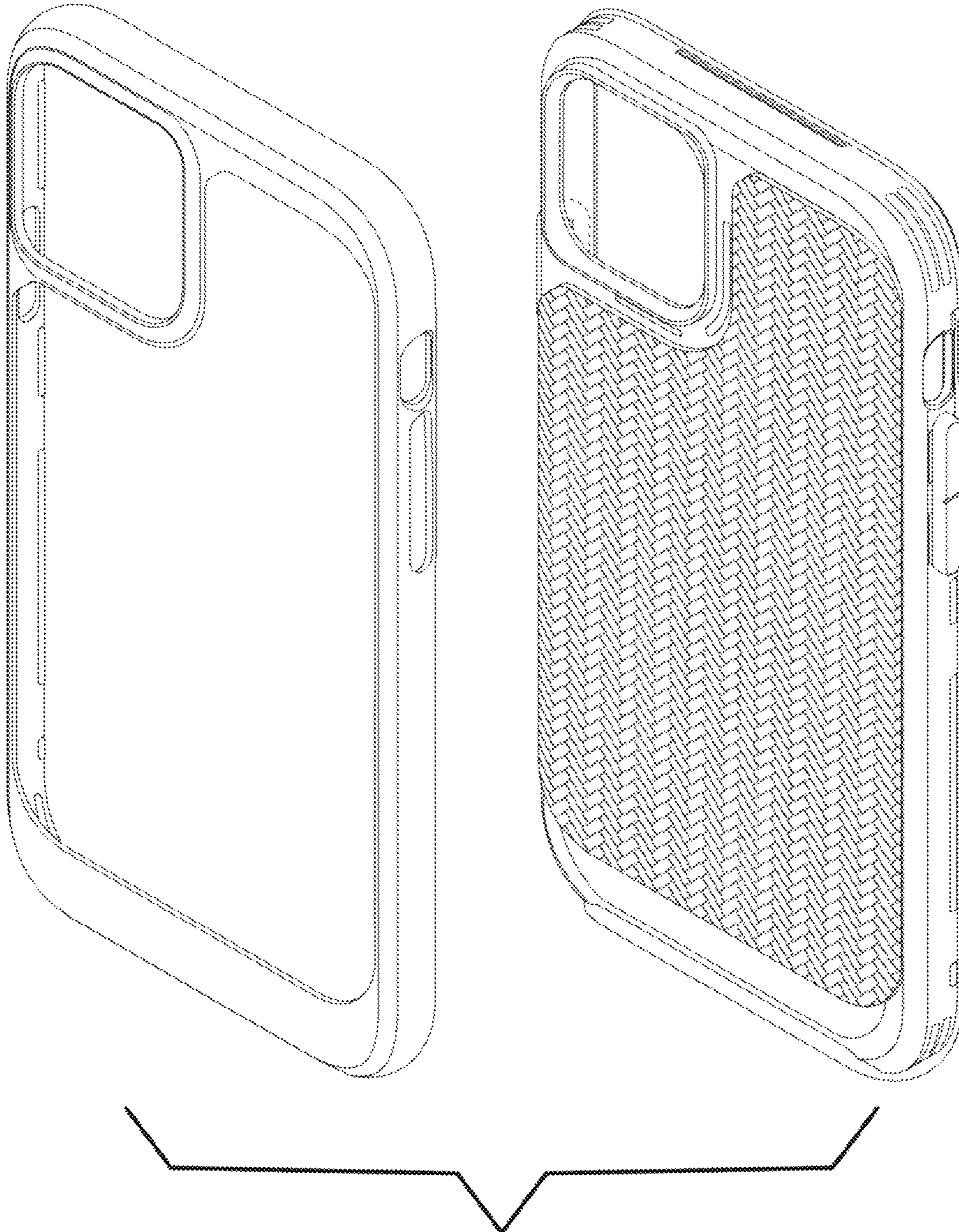


FIG. 15

