



US00D905678S

(12) **United States Design Patent** (10) **Patent No.:** **US D905,678 S**
Ahn (45) **Date of Patent:** **** Dec. 22, 2020**

- (54) **CASE FOR ELECTRONIC COMMUNICATIONS DEVICE**
- (71) Applicant: **SPIGEN KOREA CO., LTD.**, Seoul (KR)
- (72) Inventor: **Deok Hyun Ahn**, Seoul (KR)
- (73) Assignee: **SPIGEN KOREA CO., LTD.**, Seoul (KR)
- (**) Term: **15 Years**
- (21) Appl. No.: **29/701,980**
- (22) Filed: **Aug. 15, 2019**
- (51) **LOC (12) Cl.** **14-03**
- (52) **U.S. Cl.**
 USPC **D14/250**
- (58) **Field of Classification Search**
 USPC D14/440, 203.3–203.7, 439, 238.1, D14/251–253, 447, 217, 240, 248, 250; D3/201, 218, 247, 269, 273, 301, 303; D13/103, 119, 107–108
 CPC H04B 1/3888; H04M 1/0283; H04M 1/0202; A45C 1/06; A45C 11/00; A45C 13/02; A45C 2011/002; A45F 2005/026; A45F 2200/0525; A45F 2200/0516
 See application file for complete search history.

(56) **References Cited**

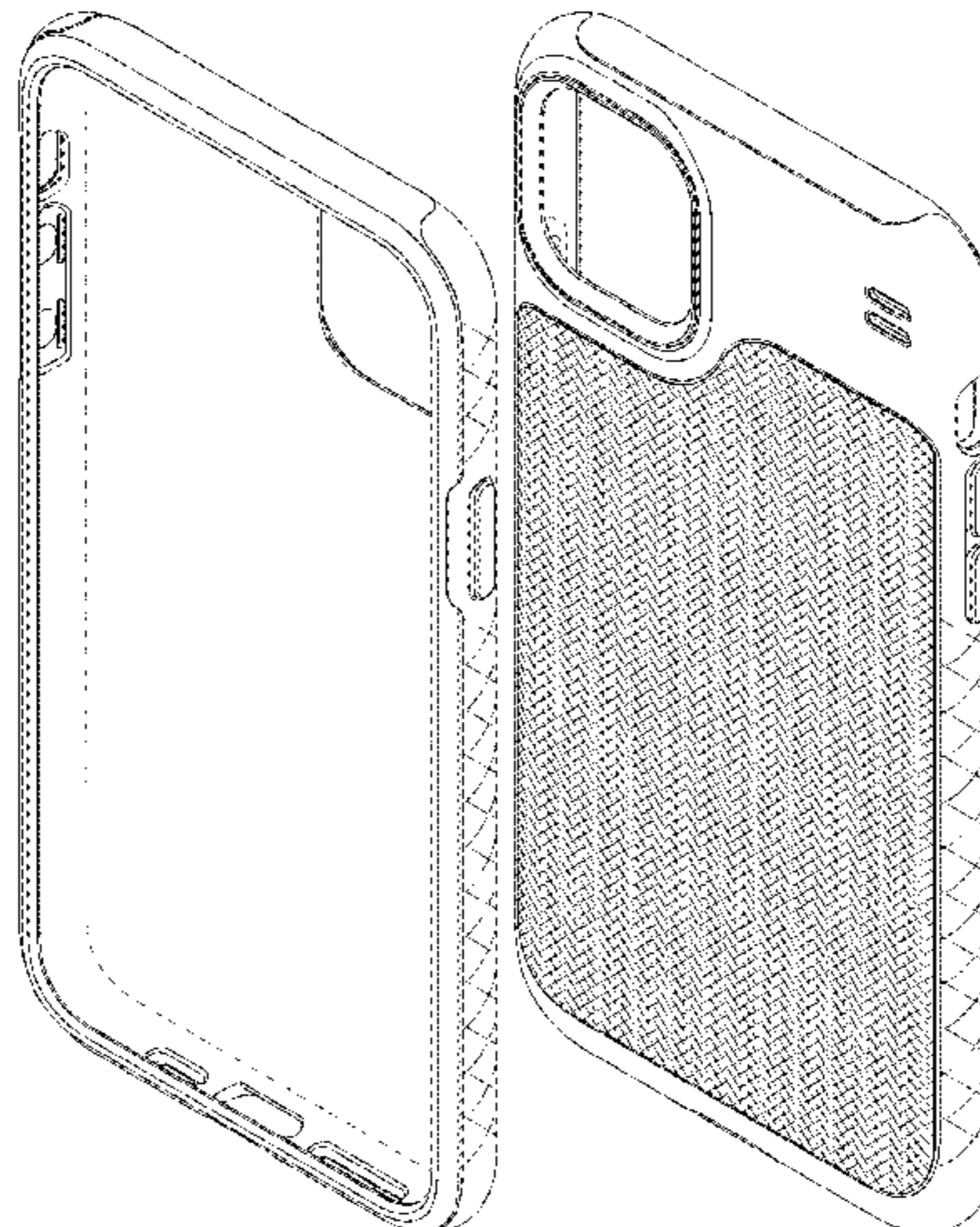
U.S. PATENT DOCUMENTS

D585,640 S * 2/2009 Case D3/218
 D638,006 S 5/2011 Chang
 D640,246 S * 6/2011 Liu D14/248
 D648,332 S 11/2011 Kim et al.
 D669,889 S 10/2012 Li et al.
 D682,241 S * 5/2013 Choi D14/138 AA
 D687,796 S 8/2013 Lee
 D687,797 S 8/2013 Kim
 D690,292 S * 9/2013 Bibla D14/250
 D692,419 S * 10/2013 Rayner D14/250
 D694,759 S * 12/2013 Chang D14/440
 D710,814 S * 8/2014 Im D14/138 G

D721,703 S * 1/2015 Han D14/402
 9,059,505 B1 * 6/2015 Asrani H01Q 9/145
 D734,747 S 7/2015 Seo et al.
 D737,259 S 8/2015 Choi
 D739,394 S * 9/2015 Rayner D14/250
 D740,798 S 10/2015 Poon et al.
 D755,167 S 5/2016 Chen et al.
 D756,909 S * 5/2016 Gupta D13/103
 D757,702 S 5/2016 Kanazawa
 D757,703 S 5/2016 Kanazawa
 D762,202 S * 7/2016 Tseng D14/250
 D763,841 S 8/2016 Kim
 D765,638 S 9/2016 Gaylord et al.
 D786,853 S 5/2017 Friedland et al.
 D787,498 S * 5/2017 Chen D14/250
 D791,773 S 7/2017 Moore et al.
 D806,082 S * 12/2017 Armstrong D14/440
 D807,868 S 1/2018 Wang
 D808,377 S 1/2018 Witter et al.
 D808,944 S 1/2018 Kim
 D812,600 S 3/2018 Altaras
 D812,618 S 3/2018 Altaras
 D812,619 S 3/2018 Altaras
 D816,074 S * 4/2018 Deng D14/250
 D816,651 S 5/2018 Chiang et al.
 D816,653 S 5/2018 Yu
 D834,571 S 11/2018 Ravid
 D836,095 S 12/2018 Kim et al.
 D839,255 S * 1/2019 Roberts D14/250
 D839,259 S * 1/2019 Ahn D14/250
 D840,990 S 2/2019 Kim
 D840,991 S 2/2019 Kim
 D840,992 S 2/2019 Kim
 D845,290 S 4/2019 Brubaker et al.
 D847,806 S 5/2019 Kim
 D851,078 S * 6/2019 Yuan D14/250
 D851,082 S 6/2019 Fitzgerald et al.
 D851,638 S 6/2019 Kim et al.
 10,362,847 B1 * 7/2019 Okada A45C 11/00
 D855,610 S * 8/2019 Wei D14/250
 D860,980 S * 9/2019 Kim D14/250
 2014/0049476 A1 * 2/2014 Bragin G06F 1/169
 345/173
 2018/0006676 A1 * 1/2018 Zavala A45C 1/08

OTHER PUBLICATIONS

“Spigen Neo Hybrid Google Pixel XL Case with Flexible Inner Protection and Reinforced Hard Bumper Frame for Google Pixel XL 2016—Satin Silver”, <https://www.amazon.com/dp/B01LZW1LW3>, Earliest review date of Oct. 23, 2016, Downloaded on Dec. 18, 2018.



“Spigen Neo Hybrid Crystal Google Pixel Case with Flexible Inner Casing and Reinforced Hard Bumper Frame for Google Pixel 2016—Gunmetal”, <https://www.amazon.com/dp/B01M03SL8Y>, Earliest review date of Dec. 14, 2016, Downloaded on Dec. 20, 2018.

“Spigen Neo Hybrid Crystal Google Pixel XL Case with Flexible Inner Casing and Reinforced Hard Bumper Frame for Google Pixel XL 2016—Gunmetal”, <https://www.amazon.com/dp/B01LZS6PON>, Earliest review date of Dec. 15, 2016, Downloaded on Dec. 18, 2018.

“Spigen Neo Hybrid Google Pixel Case with Flexible Inner Protection and Reinforced Hard Bumper Frame for Google Pixel 2016—Blue”, <https://www.amazon.com/dp/B01N3VR9EA>, Earliest review date of Jan. 10, 2017, Downloaded on Dec. 18, 2018.

“Spigen Liquid Air Armor iPhone 7 Case/iPhone 8 Case with Durable Flex and Easy Grip Design for Apple iPhone 7 (2016)/ iPhone 8 (2017)—Midnight Blue”, <https://www.amazon.com/dp/B01MT1G4E6>, Earliest review date of Jan. 29, 2017, Downloaded on Jan. 17, 2019.

“Spigen Neo Hybrid Huawei Y6 Case with Flexible Inner Protection and Reinforced Hard Bumper Frame for Huawei Y6 2015—Champagne Gold”, <https://www.amazon.com/dp/B0182SKWUO>, Earliest review date of Feb. 13, 2017, Downloaded on Dec. 18, 2018.

“Spigen Liquid Air Galaxy A5 2017 Case with Durable Flex and Easy Grip Design for Samsung Galaxy A5 (2017)—Black”, <https://www.amazon.com/dp/B01N6EEBIV>, Earliest review date of Feb. 25, 2017, Downloaded on Jul. 18, 2018.

“Spigen Neo Hybrid LG G6 Case Herringbone with Flexible Inner Protection and Reinforced Hard Bumper Frame for LG G6 (2017)—Satin Silver”, <https://www.amazon.com/dp/B01MR8C5Z7>, Earliest review date of Mar. 25, 2017, Downloaded on Dec. 18, 2018.

“Spigen Liquid Air Armor Galaxy S8 Plus Case with Durable Flex and Easy Grip Design for Samsung Galaxy S8 Plus (2017)—Black”, <https://www.amazon.com/dp/B06XP4WS9Y>, Earliest review date of Apr. 1, 2017, Downloaded on Jul. 18, 2018.

“Spigen Neo Hybrid Galaxy S8 Plus Case Herringbone with Flexible Inner Protection and Reinforced Hard Bumper Frame for Galaxy S8 Plus (2017)—Gunmetal”, <https://www.amazon.com/dp/B06XP6CRP5>, Earliest review date of Apr. 2, 2017, Downloaded on Dec. 18, 2018.

“Spigen Neo Hybrid Galaxy S8 Case Herringbone with Flexible Inner Protection and Reinforced Hard Bumper Frame for Samsung Galaxy S8 (2017)—Gunmetal”, <https://www.amazon.com/dp/B06XP521V1>, Earliest review date of Apr. 6, 2017, Downloaded on Dec. 18, 2018.

“Spigen Liquid Air Armor Galaxy S8 Case with Durable Flex and Easy Grip Design for Samsung Galaxy S8 (2017)—Black”, <https://www.amazon.com/dp/B06XP87DGC>, Earliest review date of Apr. 8, 2017, Downloaded on Jul. 31, 2018.

“Spigen Neo Hybrid Crystal Glitter Galaxy S8 Case with Flexible Inner Casing and Reinforced Hard Bumper Frame for Samsung Galaxy S8 (2017)—Space Quartz”, <https://www.amazon.com/dp/B06XP5KTXN>, Earliest review date of Apr. 15, 2017, Downloaded on Dec. 18, 2018.

“Spigen Neo Hybrid Crystal Galaxy S8 Plus Case with Clear Hard Casing and Reinforced Hard Bumper Frame for Galaxy S8 Plus (2017)—Gunmetal”, <https://www.amazon.com/dp/B06XP5HHV1>, Earliest review date of Apr. 20, 2017, Downloaded on Dec. 18, 2018.

“Spigen Neo Hybrid Crystal Glitter Galaxy S8 Plus Case with Flexible Inner Protection and Reinforced Hard Bumper Frame for Galaxy S8 Plus (2017)—Space Quartz”, <https://www.amazon.com/dp/B06XNW4WS9>, Earliest review date of Apr. 20, 2017, Downloaded on Dec. 18, 2018.

“Spigen Liquid Air Galaxy A3 2017 Case with Durable Flex and Easy Grip Design for Galaxy A3 (2017)—Black”, <https://www.amazon.com/dp/B01N6EDZFN>, Earliest review date of May 17, 2017, Downloaded on Jul. 18, 2018.

“Spigen Neo Hybrid Crystal Galaxy S6 Edge Plus Case with Flexible Inner Casing and Reinforced Hard Bumper Frame for Galaxy S6 Edge Plus 2015—Blue Topaz”, <https://www.amazon.com/dp/B010MWIIXQ>, Earliest review date of Jun. 25, 2017, Downloaded on Dec. 18, 2018.

“Spigen Liquid Air Armor Galaxy J5 Pro (2017) International Version Case with Durable Flex and Easy Grip Design for Galaxy J5 pro(2017) International Version—Black”, <https://www.amazon.com/dp/B071H86FTY>, Earliest review date of Jul. 23, 2017, Downloaded on Jan. 17, 2019.

“Spigen Neo Hybrid OnePlus 5 Case with Flexible Inner Protection and Reinforced Hard Bumper Frame for OnePlus 5 (2017)—Gunmetal”, <https://www.amazon.com/dp/B06XG24Q98>, Earliest review date of Aug. 23, 2017, Downloaded on Dec. 18, 2018.

“Spigen Neo Hybrid Galaxy Note 8 Case with Herringbone Flexible Inner Protection and Reinforced Hard Bumper Frame for Galaxy Note 8 (2017)—Gunmetal”, <https://www.amazon.com/dp/B073RWTZ5V>, Earliest review date of Aug. 27, 2017, Downloaded on Dec. 18, 2018.

“Spigen Neo Hybrid Crystal Galaxy Note 8 Case with Clear Hard Casing and Reinforced Hard Bumper Frame for Galaxy Note 8 (2017)—Gunmetal”, <https://www.amazon.com/dp/B073R79115>, Earliest review date of Aug. 28, 2017, Downloaded on Dec. 18, 2018.

“Spigen Liquid Air Armor Galaxy Note 8 Case with Durable Flex and Easy Grip Design for Galaxy Note 8 (2017)—Matte Black”, <https://www.amazon.com/dp/B073R6PMGK>, Earliest review date of Sep. 1, 2017, Downloaded on Jan. 17, 2019.

“Spigen Neo Hybrid Herringbone iPhone 8 Plus Case/iPhone 7 Plus Case with Hard Bumper Frame for Apple iPhone 8 Plus (2017) / Apple iPhone 7 Plus (2016)—Black & Gunmetal”, <https://www.amazon.com/dp/B07482D1JW>, Earliest review date of Sep. 12, 2017, Downloaded on Dec. 18, 2018.

“Spigen Neo Hybrid [2nd Generation] iPhone 8 Plus Case/iPhone 7 Plus Case with Hard Frame for Apple iPhone 8 Plus (2017) / Apple iPhone 7 Plus (2016)—Gunmetal”, <https://www.amazon.com/dp/B07519W92L>, Earliest review date of Sep. 14, 2017, Downloaded on Dec. 18, 2018.

“Spigen Neo Hybrid Herringbone iPhone 8 Case/iPhone 7 Case with Flexible Inner Protection and Reinforced Hard Bumper Frame for Apple iPhone 8 (2017) / iPhone 7 (2016)—Gunmetal”, <https://www.amazon.com/dp/B07482P44X>, Earliest review date of Sep. 20, 2017, Downloaded on Dec. 18, 2018.

“Spigen Neo Hybrid Crystal [2nd Generation] iPhone 8 Case/iPhone 7 Case with Clear Hard Casing and Reinforced Hard Bumper Frame for Apple iPhone 8 (2017) / iPhone 7 (2016)—Gunmetal”, <https://www.amazon.com/dp/B0751C7FF2>, Earliest review date of Sep. 22, 2017, Downloaded on Dec. 18, 2018.

“Spigen Neo Hybrid Crystal [2nd Generation] iPhone 8 Plus Case/iPhone 7 Plus Case with Clear Casing and Hard Bumper Frame for Apple iPhone 8 Plus (2017) / Apple iPhone 7 Plus (2016)—Rose Gold”, <https://www.amazon.com/dp/B0751D3JTL>, Earliest review date of Sep. 23, 2017, Downloaded on Dec. 18, 2018.

“Spigen Neo Hybrid [2nd Generation] iPhone 8 Case/iPhone 7 Case with Flexible Inner Protection and Reinforced Hard Bumper Frame for Apple iPhone 8 (2017) / iPhone 7 (2016)—Gunmetal”, <https://www.amazon.com/dp/B074Z51MBW>, Earliest review date of Sep. 24, 2017, Downloaded on Dec. 18, 2018.

“Spigen Neo Hybrid Crystal iPhone X Case with Clear Hard Casing and Reinforced Hard Bumper Frame for Apple iPhone X (2017)—Satin Silver”, <https://www.amazon.com/dp/B074CMZ6YV>, Earliest review date of Oct. 5, 2017, Downloaded on Dec. 18, 2018.

“Spigen Neo Hybrid LG V30 Case / V30S / V30 Plus Case Herringbone with Flexible Inner Protection and Reinforced Hard Bumper Frame for LG V30 (2017)—Satin Silver”, <https://www.amazon.com/dp/B072QZTQWC>, Earliest review date of Oct. 6, 2017, Downloaded on Dec. 18, 2018.

“Spigen Liquid Air Armor Designed for Apple iPhone Xs Case (2018) / Designed for Apple iPhone X Case (2017)—Matte Black”, <https://www.amazon.com/dp/B074CMWM9H>, Earliest review date of Oct. 19, 2017, Downloaded on Jan. 9, 2019.

“Spigen Neo Hybrid iPhone X Case Herringbone with Flexible Inner Protection and Reinforced Hard Bumper Frame for Apple iPhone X (2017)—Black & Gunmetal”, <https://www.amazon.com/dp/B074CMNSXV>, Earliest review date of Oct. 20, 2017, Downloaded on Dec. 17, 2018.

“Spigen Neo Hybrid Herringbone Google Pixel 2 XL Case with Flexible Inner Protection and Reinforced Hard Bumper Frame for

- Google Pixel 2 XL (2017)—Gunmetal”, <https://www.amazon.com/dp/B07474WTCG>, Earliest review date of Oct. 30, 2017, Downloaded on Dec. 18, 2018.
- “Spigen Neo Hybrid Huawei P10 Lite Case with Flexible Inner Protection and Reinforced Hard Bumper Frame for Huawei P10 Lite (2017)—Champagne Gold”, <https://www.amazon.com/dp/B06XD1Z6XW>, Earliest review date of Oct. 30, 2017, Downloaded on Dec. 18, 2018.
- “Spigen Neo Hybrid Herringbone Google Pixel 2 Case with Flexible Inner Protection and Reinforced Hard Bumper Frame for Google Pixel 2 (2017)—Gunmetal”, <https://www.amazon.com/dp/B0746Z1KYN>, Earliest review date of Nov. 2, 2017, Downloaded on Dec. 18, 2018.
- “Spigen Liquid Air Armor Galaxy S9 Case with Light but Durable Flexible Protection with Geometric Pattern for Samsung Galaxy S9 (2018)—Matte Black”, <https://www.amazon.com/dp/B0789T8P88>, Earliest review date of Mar. 3, 2018, Downloaded on Jan. 17, 2019.
- “Spigen Neo Hybrid Galaxy S9 Plus Case with Flexible Herringbone Pattern Protection and Reinforced Hard Bumper Frame for Samsung Galaxy S9 Plus (2018)—Gunmetal”, <https://www.amazon.com/dp/B0789S2LZH>, Earliest review date of Mar. 4, 2018, Downloaded on Dec. 18, 2018.
- “Spigen Neo Hybrid Galaxy S9 Case with Flexible Herringbone Pattern Protection and Reinforced Hard Bumper Frame for Samsung Galaxy S9 (2018)—Gunmetal”, <https://www.amazon.com/dp/B078BFJ2YR>, Earliest review date of Mar. 7, 2018, Downloaded on Dec. 18, 2018.
- “Spigen Liquid Air Armor Galaxy S9 Plus Case with Light but Durable Flexible Protection with Geometric Pattern for Samsung Galaxy S9 Plus (2018)—Matte Black”, <https://www.amazon.com/dp/B078FGFJRT>, Earliest review date of Mar. 10, 2018, Downloaded on Jan. 17, 2019.
- “Spigen Liquid Air Armor Galaxy A8 Plus Case with Durable Flex and Easy Grip Design for Galaxy A8+ (2018)—Matte Black”, <https://www.amazon.com/dp/B077MG1P51>, Earliest review date of Apr. 2, 2018, Downloaded on Jan. 17, 2019.
- “Spigen Neo Hybrid NC Galaxy S9 Case with Disassemblable Top and Bottom Frames with Clear Rigid Back for 2018 Samsung Galaxy S9—Lilac Purple”, <https://www.amazon.com/dp/B07CZ7WJLR>, Earliest review date of Apr. 25, 2018, Downloaded on Dec. 18, 2018.
- “Spigen Neo Hybrid NC Galaxy S9 Plus Case with Disassemblable Top and Bottom Frames with Clear Rigid Back for 2018 Samsung Galaxy S9 Plus—Lilac Purple”, <https://www.amazon.com/dp/B07CZ98B53>, Earliest review date of Apr. 25, 2018, Downloaded on Dec. 18, 2018.
- “Spigen Neo Hybrid Galaxy A8 Case with Flexible Inner Protection and Reinforced Hard Bumper Frame for Galaxy A8 (2018)—Gunmetal”, <https://www.amazon.com/dp/B077MW27DR>, Earliest review date of Apr. 27, 2018, Downloaded on Dec. 18, 2018.
- “Spigen Liquid Air Armor Galaxy A8 Case with Durable Flex and Easy Grip Design for Galaxy A8 (2018)—Matte Black”, <https://www.amazon.com/dp/B077MMG17Y>, Earliest review date of May 18, 2018, Downloaded on Jan. 17, 2019.
- “Spigen Neo Hybrid LG G7 Case/LG G7 ThinQ Case with Flexible Herringbone Pattern Protection and Reinforced Hard Bumper Frame for LG G7 ThinQ (2018)—Gunmetal”, <https://www.amazon.com/dp/B078MPT645>, Earliest review date of Jun. 4, 2018, Downloaded on Dec. 18, 2018.
- “Spigen Liquid Air Armor Huawei P20 lite Case with Light but Durable Flexible Protection with Geometric Pattern for Huawei P20 lite (2018)—”, <https://www.amazon.com/dp/B0792KCF5R>, Earliest review date of Jun. 9, 2018, Downloaded on Jan. 17, 2019.
- “Spigen Liquid Air Armor Xiaomi Redmi Note 5 Case/Redmi 5 Plus Case with Light but Durable Flexible Protection with Geometric Pattern for Redmi Note 5 / Redmi 5 Plus (2018)—Black”, <https://www.amazon.com/dp/B079NW7Y76>, Earliest review date of Jun. 22, 2018, Downloaded on Jan. 17, 2019.
- “Spigen Liquid Air Armor Galaxy Note 9 Case with Durable Flex and Easy Grip Design for Samsung Galaxy Note 9 (2018)—Matte Black”, <https://www.amazon.com/dp/B079NW7Y76>, Earliest review date of Aug. 12, 2018, Downloaded on Jan. 17, 2019.
- “Spigen Neo Hybrid Designed for Galaxy Note 9 Case (2018)—Ocean Blue”, <https://www.amazon.com/dp/B07GDT2M7X>, Earliest review date of Aug. 14, 2018, Downloaded on Dec. 18, 2018.
- “Installation video of SGP Neo Hybrid Case”, <https://www.youtube.com/watch?v=mVASro4MsEg>, Published on Oct. 30, 2009.
- “Installation video of SGP Neo Hybrid2”, https://www.youtube.com/watch?v=y5_NdOVOfZo, Published on May 25, 2010.
- “Installation video of SGP NEO Hybrid EX on iPhone 4”, <https://www.youtube.com/watch?v=Z-IRDIH1w0E>, Published on Sep. 3, 2010.
- “SGP Neo Hybrid Matte Series Case for the iPhone 4”, <https://www.youtube.com/watch?v=fOH74451I-8>, Published on Sep. 22, 2010.
- “SGP iPhone 4 Case Neo Hybrid Matte Series Gun Metal”, <https://www.amazon.com/dp/B004F1IQ7E>, Earliest review date of Dec. 3, 2010, Downloaded on Aug. 15, 2018.
- “Installation video of SGP NEO Hybrid on iPhone 4”, <https://www.youtube.com/watch?v=GnVusVoDrOc>, Published on Dec. 15, 2010.
- “Installation video of SGP Case NEO Hybrid EX on Galaxy S2”, <https://www.youtube.com/watch?v=ZPhSIAUxXWg>, Published on Aug. 24, 2011.
- “Spigen SGP Neo Hybrid 2S iPhone 4s & Neo Hybrid Galaxy S2 LTE”, <https://www.youtube.com/watch?v=SLzDq11dyiY>, Published on Nov. 21, 2011.
- “Spigen SGP NEO Hybrid case for iphone 4S”, <https://www.youtube.com/watch?v=nLvPhRyX3g>, Published on Nov. 22, 2011.
- “Neo Hybrid Case for Galaxy S3”, <https://www.youtube.com/watch?v=IgpahRniVku>, Published on Jun. 27, 2012.
- “Installation video of Spigen SGP Case NEO Hybrid EX on iPhone 5”, <https://www.youtube.com/watch?v=X2GAS9FT6U4>, Published on Oct. 11, 2012.
- “Spigen Neo Hybrid Galaxy S4 Case with Flexible Inner Protection and Reinforced Hard Bumper Frame for Galaxy S4 2013—Dante Red”, <https://www.amazon.com/dp/B00BYJX11Y>, Earliest review date of May 9, 2013, Downloaded on Jan. 22, 2019.
- “Spigen Neo Hybrid iPhone 5 & 5s Case Review”, <https://www.youtube.com/watch?v=vTvTYZfSmal>, Published on Jul. 21, 2013.
- “Spigen SGP Neo Hybrid for Galaxy Note 3 Review”, <https://www.youtube.com/watch?v=W80JtBDSckk>, Published on Nov. 3, 2013.
- “Spigen Neo Hybrid Galaxy S5 Case with Flexible Inner Protection and Reinforced Hard Bumper Frame for Samsung Galaxy S5 2014—Electric Blue”, <https://www.amazon.com/dp/B00I3UWJJY>, Earliest review date of Apr. 12, 2014, Downloaded on Jan. 22, 2019.
- “Spigen Neo Hybrid iPhone 6 Case with Flexible Inner Protection and Reinforced Hard Bumper Frame for iPhone 6S / iPhone 6—Gunmetal”, <https://www.amazon.com/dp/B00LL6ZPXy>, Earliest review date of Aug. 28, 2014, Downloaded on Dec. 18, 2018.
- “Spigen Neo Hybrid EX iPhone 6 Case with Flexible Inner Bumper and Reinforced Hard Frame for iPhone 6S/iPhone 6—EX Satin Silver”, <https://www.amazon.com/dp/B00LL6RZ3C>, Earliest review date of Sep. 6, 2014, Downloaded on Dec. 18, 2018.
- “Spigen Neo Hybrid Nexus 6 Case with Flexible Inner Protection and Reinforced Hard Bumper Frame for Google Nexus 6 2014—Dante Red”, <https://www.amazon.com/dp/B00OH4HKGC>, Earliest review date of Nov. 16, 2014, Downloaded on Dec. 18, 2018.
- “Spigen Neo Hybrid Galaxy S6 Case with Flexible Inner Protection and Reinforced Hard Bumper Frame for Galaxy S6 2015—Satin Silver”, <https://www.amazon.com/dp/B00QU4Q31A>, Earliest review date of Mar. 6, 2015, Downloaded on Dec. 18, 2018.
- “Spigen Neo Hybrid Galaxy S6 Edge Case with Flexible Inner Protection and Reinforced Hard Bumper Frame for Galaxy S6 Edge 2015—Gunmetal”, <https://www.amazon.com/dp/B00SV635BG>, Earliest review date of Mar. 19, 2015, Downloaded on Dec. 18, 2018.
- “Spigen Neo Hybrid CC Galaxy S6 Case with Flexible Inner Casing and Reinforced Hard Bumper Frame for Galaxy S6 2015—Satin Silver”, <https://www.amazon.com/dp/B00UMDOZLU>, Earliest review date of Mar. 25, 2015, Downloaded on Dec. 18, 2018.
- “Spigen Neo Hybrid CC Galaxy S6 Edge Case with Flexible Inner Casing and Reinforced Hard Bumper Frame for Galaxy S6 Edge 2015—Blue Topaz”, <https://www.amazon.com/dp/B00USAPGKQ>, Earliest review date of Apr. 4, 2015, Downloaded on Dec. 18, 2018.
- “Spigen Neo Hybrid Carbon Galaxy S6 Edge Plus Case with Carbon Fiber Design and Reinforced Hard Bumper Frame for

Galaxy S6 Edge Plus 2015—Dante Red”, <https://www.amazon.com/dp/B010MWHZS0>, Earliest review date of Aug. 18, 2015, Downloaded on Dec. 18, 2018.

“Spigen Neo Hybrid Crystal Galaxy Note 5 Case with Flexible Inner Casing and Reinforced Hard Bumper Frame for Galaxy Note 5 2015—Champagne Gold”, <https://www.amazon.com/dp/B010MWIG1K>, Earliest review date of Aug. 22, 2015, Downloaded on Dec. 18, 2018.

“iPhone 6s Case, Spigen [Neo Hybrid EX] Premium Bumper [Rose Gold] Clear TPU / PC Frame Slim Dual Layer Premium Case for iPhone 6 (2014) / 6s (2015)—Rose Gold (SGP11725)”, <https://www.amazon.com/dp/B012PKV30S>, Earliest review date of Aug. 28, 2015, Downloaded on Dec. 18, 2018.

“Spigen Neo Hybrid Carbon iPhone 6s Case with Carbon Fiber Design and Reinforced Hard Bumper Frame for Apple iPhone 6s / iPhone 6 (2015)—Reventon Yellow”, <https://www.amazon.com/dp/B010MVJ508>, Earliest review date of Sep. 1, 2015, Downloaded on Dec. 18, 2018.

“Spigen Neo Hybrid iPhone 6S Case with Flexible Inner Protection and Reinforced Hard Bumper Frame for iPhone 6S 2015—Gunmetal”, <https://www.amazon.com/Spigen-Hybrid-Flexible-Protection-Reinforced/dp/B010MVIZTE>, Earliest review date of Sep. 1, 2015, Downloaded on Dec. 18, 2018.

“Spigen Neo Hybrid EX iPhone 6S Plus Case with Flexible Inner Bumper and Reinforced Hard Frame for iPhone 6S Plus/iPhone 6 Plus—Champagne Gold”, <https://www.amazon.com/dp/B010MVRRI6>, Earliest review date of Sep. 4, 2015, Downloaded on Dec. 18, 2018.

“iPhone 6S Plus Case, Caseology [Wavelength Series] Slim Fit Military-Grade Drop Protection [Navy Blue] for Apple iPhone 6S Plus (2015) & iPhone 6 Plus (2014)”, <https://www.amazon.com/dp/B013W2C77G>, Earliest review date of Sep. 10, 2015, Downloaded on Mar. 13, 2018.

“Spigen Neo Hybrid Carbon iPhone 6S Plus Case with Carbon Fiber Design and Reinforced Hard Bumper Frame for iPhone 6S Plus 2015—Gunmetal”, <https://www.amazon.com/dp/B010MVRGMQ>, Earliest review date of Sep. 11, 2015, Downloaded on Dec. 18, 2018.

“iPhone SE Case, for Apple iPhone 5S/5 Case, Rock [Royce] Antiscratch Drop Protection Slim Fit Dual Layered Heavy Duty Armor Hybrid Hard PC + Soft TPU Protective Shell Case Champagne Gold/Black”, <https://www.amazon.com/dp/B014A8AM7I>, Earliest review date of Oct. 16, 2015, Downloaded on Jan. 30, 2019.

“Spigen Neo Hybrid EX Nexus 6P Case with Flexible Inner Bumper and Reinforced Hard Frame for Nexus 6P 2015—Gunmetal”, <https://www.amazon.com/dp/B0184I8Z4W>, Earliest review date of Oct. 20, 2015, Downloaded on Dec. 18, 2018.

George Tinari, “Caseology review: Testing 4 of the nicest iPhone 6s cases available”, <http://www.cultofmac.com/category/reviews/>, Downloaded on Nov. 28, 2015.

“Spigen Neo Hybrid Crystal Galaxy S7 Edge Case with Flexible Inner Casing and Reinforced Hard Bumper Frame for Samsung Galaxy S7 Edge 2016—Satin Silver”, <https://www.amazon.com/dp/B01A7IDQV4>, Earliest review date of Feb. 22, 2016, Downloaded on Dec. 18, 2018.

“Spigen Neo Hybrid Galaxy S7 Case with Flexible Inner Protection and Reinforced Hard Bumper Frame for Samsung Galaxy S7 2016—Gunmetal”, <https://www.amazon.com/dp/B01B116J0E>, Earliest review date of Feb. 27, 2016, Downloaded on Dec. 18, 2018.

“Spigen Neo Hybrid Galaxy S7 Edge Case with Flexible Inner Protection and Reinforced Hard Bumper Frame for Samsung Galaxy S7 Edge 2016—Satin Silver”, <https://www.amazon.com/dp/B01B116JMM>, Earliest review date of Feb. 27, 2016, Downloaded on Dec. 18, 2018.

“Spigen Neo Hybrid Crystal Galaxy S7 Case with Flexible Inner Casing and Reinforced Hard Bumper Frame for Samsung Galaxy S7 2016—Champagne Gold”, <https://www.amazon.com/dp/B01B29WCOY>, Earliest review date of Mar. 3, 2016, Downloaded on Dec. 18, 2018.

“Gold Apple iPhone 5 5S Hybrid Shockproof Hard Bumper Spft Case Cover Skin”, <https://www.nywatchstore.com/goapip55shys.html>, Archived on Mar. 21, 2016, Downloaded on Jan. 22, 2019.

“Rock PC+TPU Neo Hybrid Durable Slim Armor cover case for iPhone X 6S 5S SE Plus”, <https://www.ebay.com/itm/ROCK-PC->

TPU-Neo-Hybrid-Durable-Slim-Armor-cover-case-for-iphone-X-6S-5S-SE-Plus-/111952466831, Listing first revised on Mar. 30, 2016, Downloaded on Mar. 9, 2018.

“Spigen Neo Hybrid iPhone SE Case with Flexible Inner Protection and Reinforced Hard Bumper Frame for iPhone SE 2016—Gunmetal”, <https://www.amazon.com/dp/B01BEJBBSK>, Earliest review date of Apr. 6, 2016, Downloaded on Dec. 20, 2018.

“Spigen Neo Hybrid Crystal iPhone SE Case with Flexible Inner Casing and Reinforced Hard Bumper Frame for iPhone SE 2016—Rose Gold”, <https://www.amazon.com/dp/B01BEJB7TI>, Earliest review date of Apr. 7, 2016, Downloaded on Dec. 18, 2018.

“Spigen Neo Hybrid Crystal LG G5 Case with Flexible Inner Casing and Reinforced Hard Bumper Frame for LG G5 2016—Champagne Gold”, <https://www.amazon.com/dp/B01B1GQKIC>, Earliest review date of Apr. 17, 2016, Downloaded on Dec. 18, 2018.

“Spigen Neo Hybrid OnePlus 3 Case/OnePlus 3T Case with Flexible Inner Protection and Reinforced Hard Bumper Frame for OnePlus 3 2016—Gunmetal”, <https://www.amazon.com/dp/B01H3PF76Q>, Earliest review date of Aug. 9, 2016, Downloaded on Dec. 18, 2018.

“Rock Royce Hybrid Case for Apple iPhone 5 5S & SE Iron Grey”, <https://www.gadgetwear.co.uk/products/rock-royce-hybrid-case-for-apple-iphone-5-5s-se-iron-grey>, Earliest review date of Aug. 26, 2016, Downloaded on Mar. 9, 2018.

“Spigen Liquid Air Armor iPhone 8 Plus Case/iPhone 7 Plus Case with Durable Flex and Easy Grip Design for Apple iPhone 8 Plus 2017 / iPhone 7 Plus 2016—Midnight Blue”, <https://www.amazon.com/Spigen-Liquid-iPhone-Durable-Design/dp/B01N0T8CLM>, Earliest review date of Sep. 7, 2016, Downloaded on Jan. 17, 2019.

“Spigen Neo Hybrid Crystal iPhone 7 Plus Case with Flexible Casing and Hard Bumper Frame for Apple iPhone 7 Plus 2016—Champagne Gold”, <https://www.amazon.com/dp/B01GIWHKXI>, Earliest review date of Sep. 8, 2016, Downloaded on Dec. 18, 2018.

“Spigen Neo Hybrid iPhone 7 Case with Flexible Inner Protection and Reinforced Hard Bumper Frame for iPhone 7 2016—Gunmetal”, <https://www.amazon.com/dp/B01GIVXKUG>, Earliest review date of Sep. 8, 2016, Downloaded on Dec. 18, 2018.

“Spigen Liquid Air Armor iPhone 7 Case/iPhone 8 Case with Durable Flex and Easy Grip Design for Apple iPhone 7 (2016)/iPhone 8 (2017)—Black”, <https://www.amazon.com/dp/B01GIVX5M4>, Earliest review date of Sep. 12, 2016, Downloaded on Jul. 18, 2018.

“Spigen Neo Hybrid Crystal iPhone 7 Case with Flexible Inner Casing and Reinforced Hard Bumper Frame for iPhone 7 2016—Rose Gold”, <https://www.amazon.com/dp/B01GIVXVN2>, Earliest review date of Sep. 14, 2016, Downloaded on Dec. 18, 2018.

“Spigen Neo Hybrid iPhone 7 Plus Case with Flexible Inner Protection and Hard Bumper Frame for Apple iPhone 7 Plus (2016)—Gunmetal”, <https://www.amazon.com/dp/B01GIWH6H8>, Earliest review date of Sep. 14, 2016, Downloaded on Dec. 18, 2018.

* cited by examiner

Primary Examiner — Carla J Wright

(74) *Attorney, Agent, or Firm* — Heedong Chae; Lucem, PC

(57)

CLAIM

The ornamental design for a case for electronic communications device, as shown and described.

DESCRIPTION

FIG. 1 is a front perspective view of the case for electronic communications device showing my new design;

FIG. 2 is a rear perspective view thereof;

FIG. 3 is a front elevational view thereof;

FIG. 4 is a rear elevational view thereof;

FIG. 5 is a left side elevational view thereof;

FIG. 6 is a right side elevational view thereof;
FIG. 7 is a top plan view thereof;
FIG. 8 is a bottom plan view thereof;
FIG. 9 is a front perspective view showing the inner shell component of the case in isolation;
FIG. 10 is a rear perspective view showing the inner shell component of the case in isolation;
FIG. 11 is a front perspective view showing the outer frame component of the case in isolation;
FIG. 12 is a rear perspective view showing the outer frame component of the case in isolation;
FIG. 13 is an exploded front perspective view showing the components of the case separated;
FIG. 14 is an exploded rear perspective view showing the components of the case separated; and,
FIG. 15 is an enlarged detail view of the encircled region of FIG. 4.

For clarity of disclosure, the components of the case for electronic communications device are shown in isolation in

FIGS. 9-12 and separated in FIGS. 13-14. Although the case for electronic communications device, in which the claimed design is embodied, has an inner shell component and an outer frame component, the claim is directed to the overall ornamental appearance of the case in its entirety and does not extend to the ornamental appearance of each of the individual components in isolation.

The dot-dash broken line circle in FIGS. 4 and 15 delineates a portion of the case that is part of the claimed design and that is shown on an enlarged scale in FIG. 15. The dashed broken lines in FIGS. 1-2, 9-10, and 13-14 form no part of the claimed design and, except for the interior regions immediately surrounding the openings and buttons that are bounded by solid lines, the interior surfaces of the case shown in FIGS. 1-3, 9-10, and 13-14 also form no part of the claimed design.

1 Claim, 15 Drawing Sheets

FIG. 1

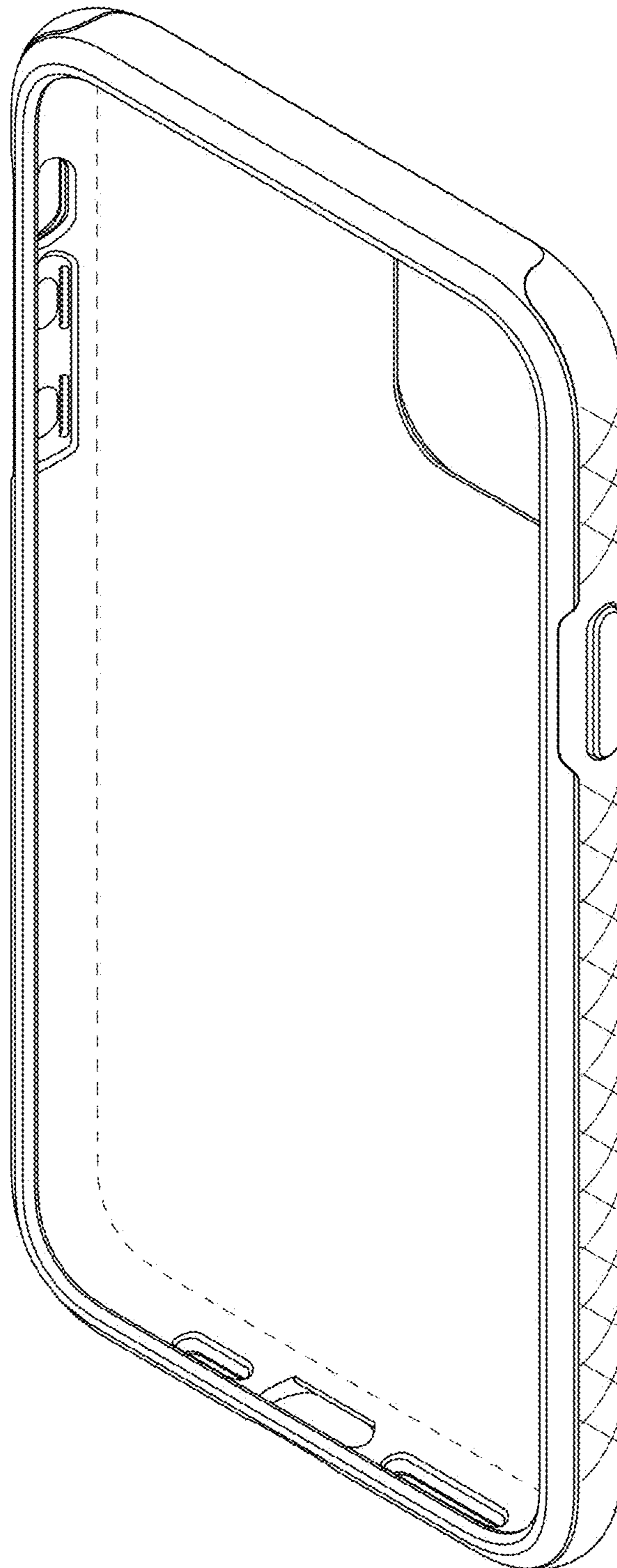


FIG. 2

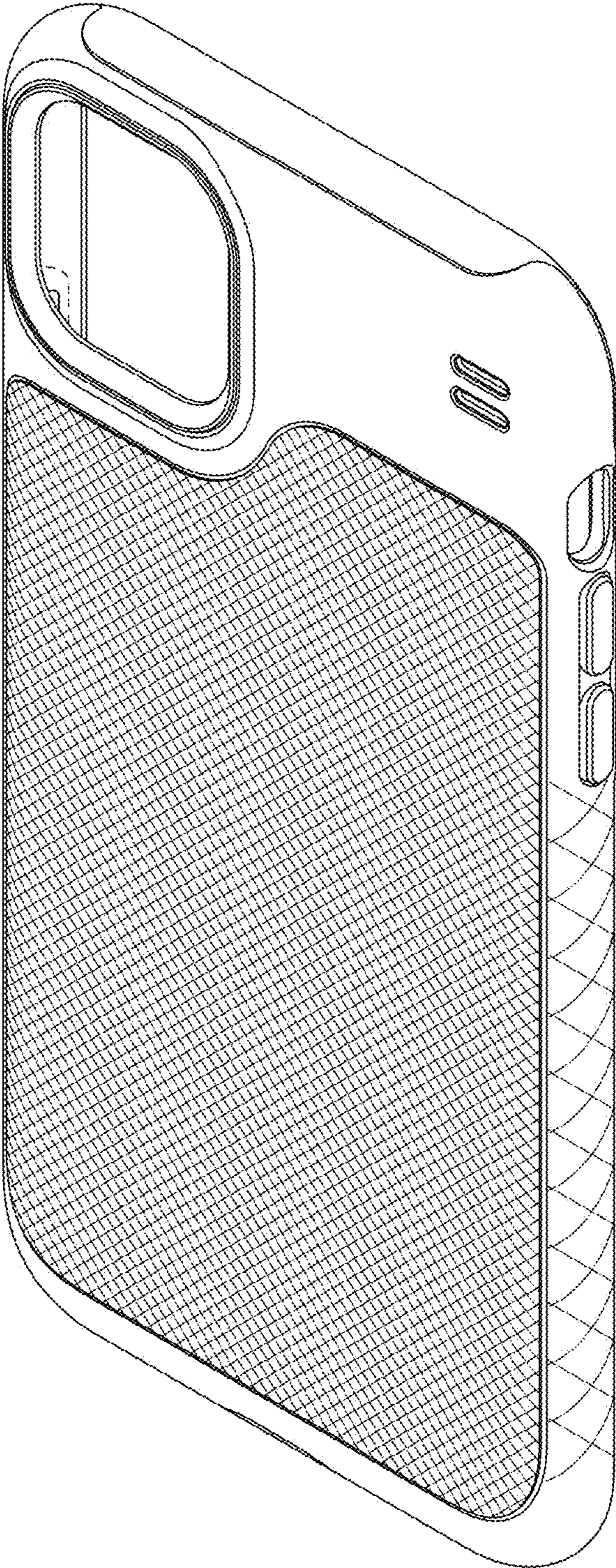


FIG. 3

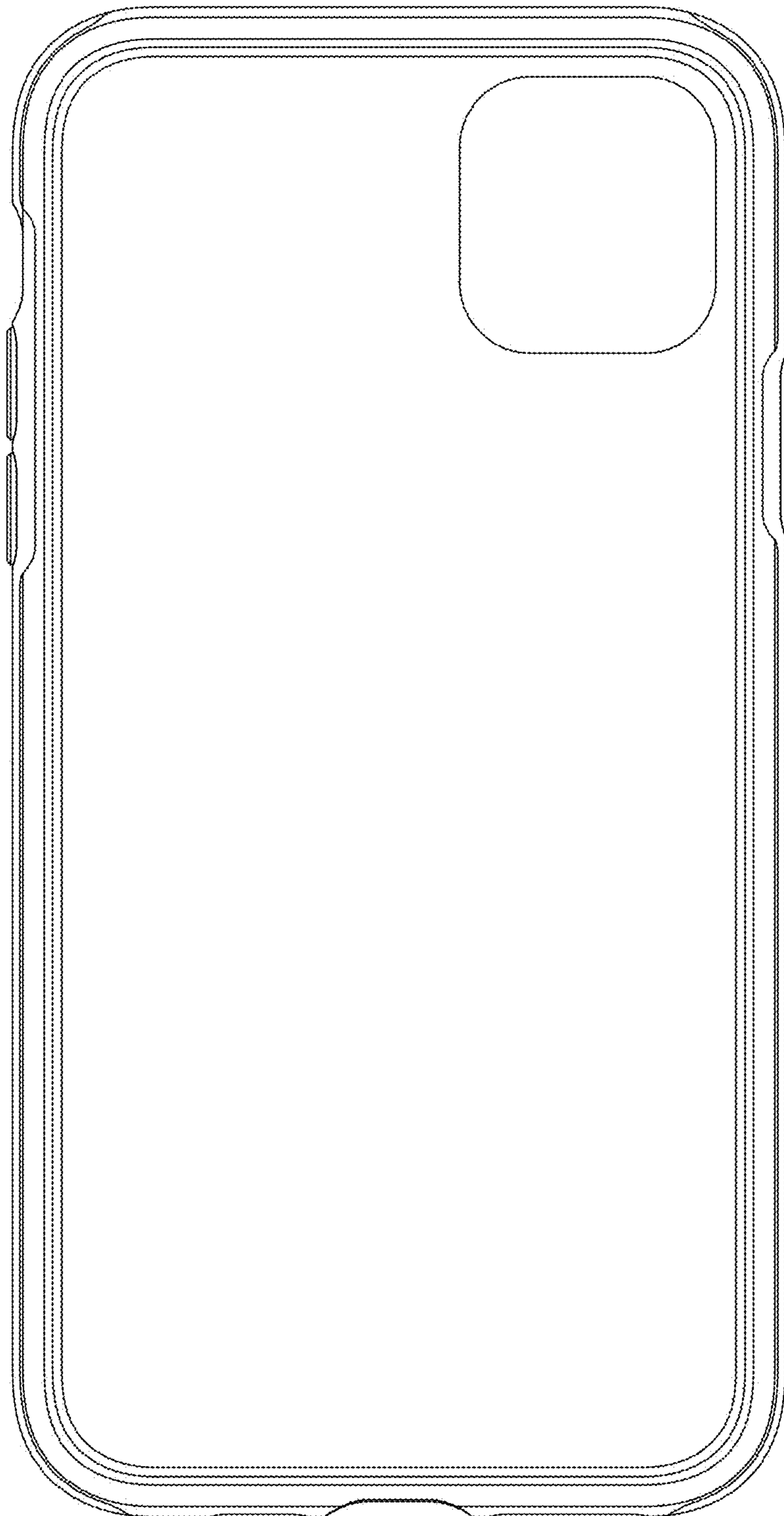


FIG. 4

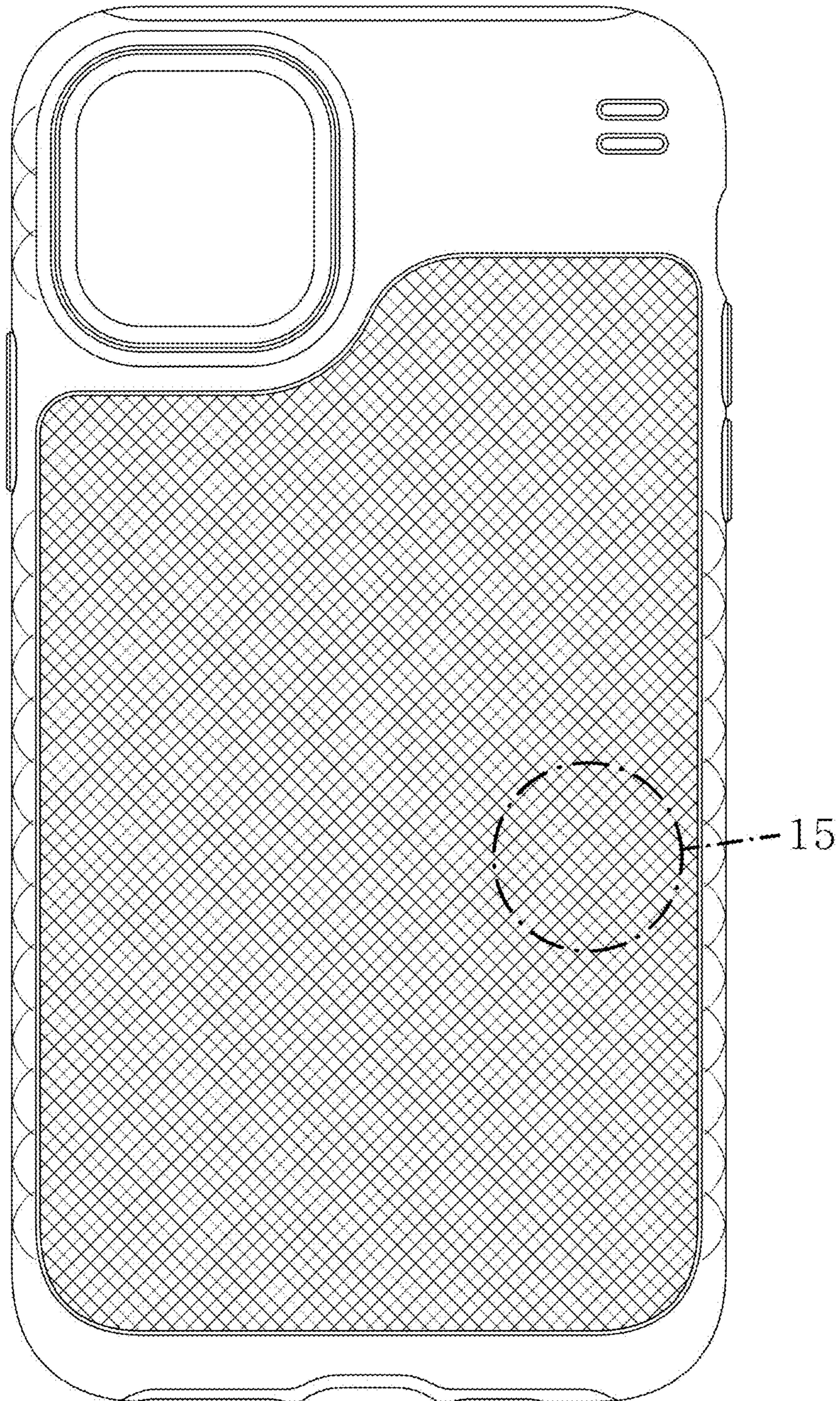


FIG. 5

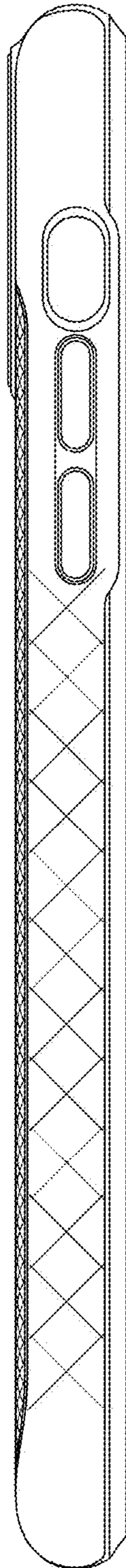


FIG. 6

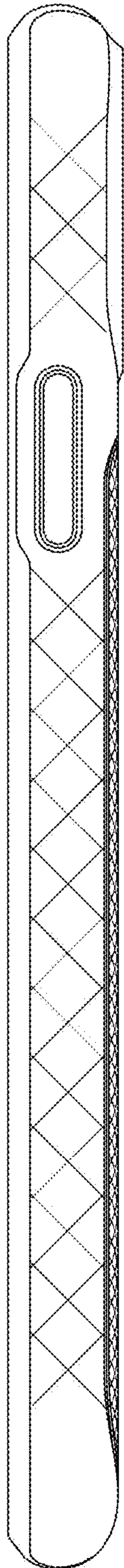


FIG. 7

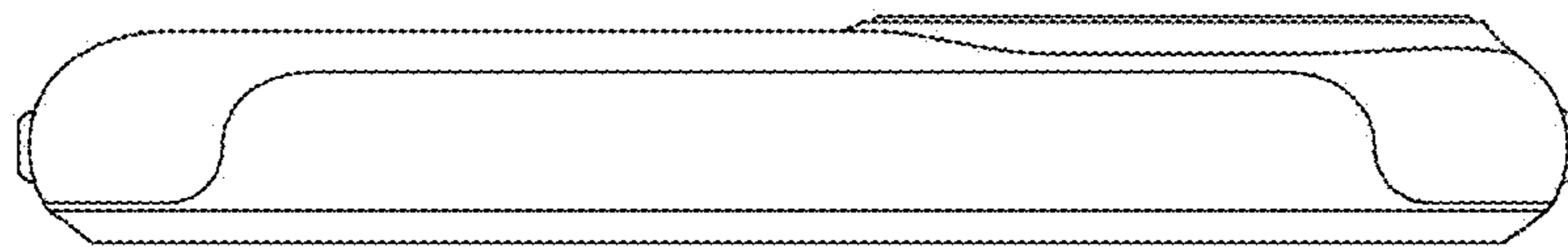


FIG. 8

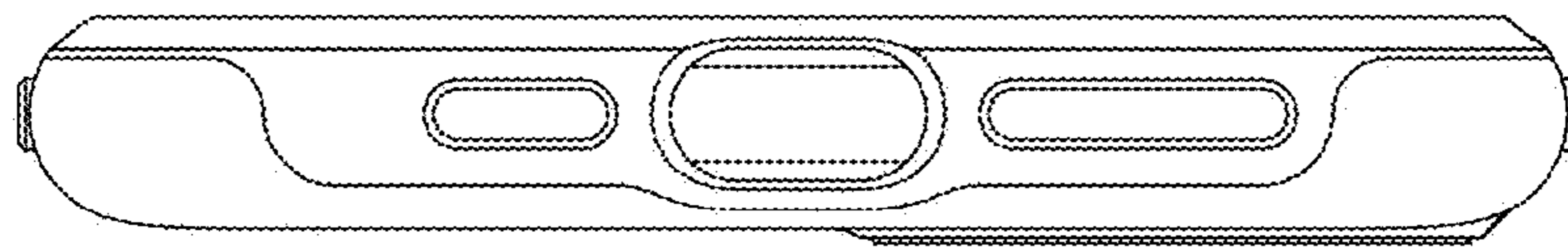


FIG. 9

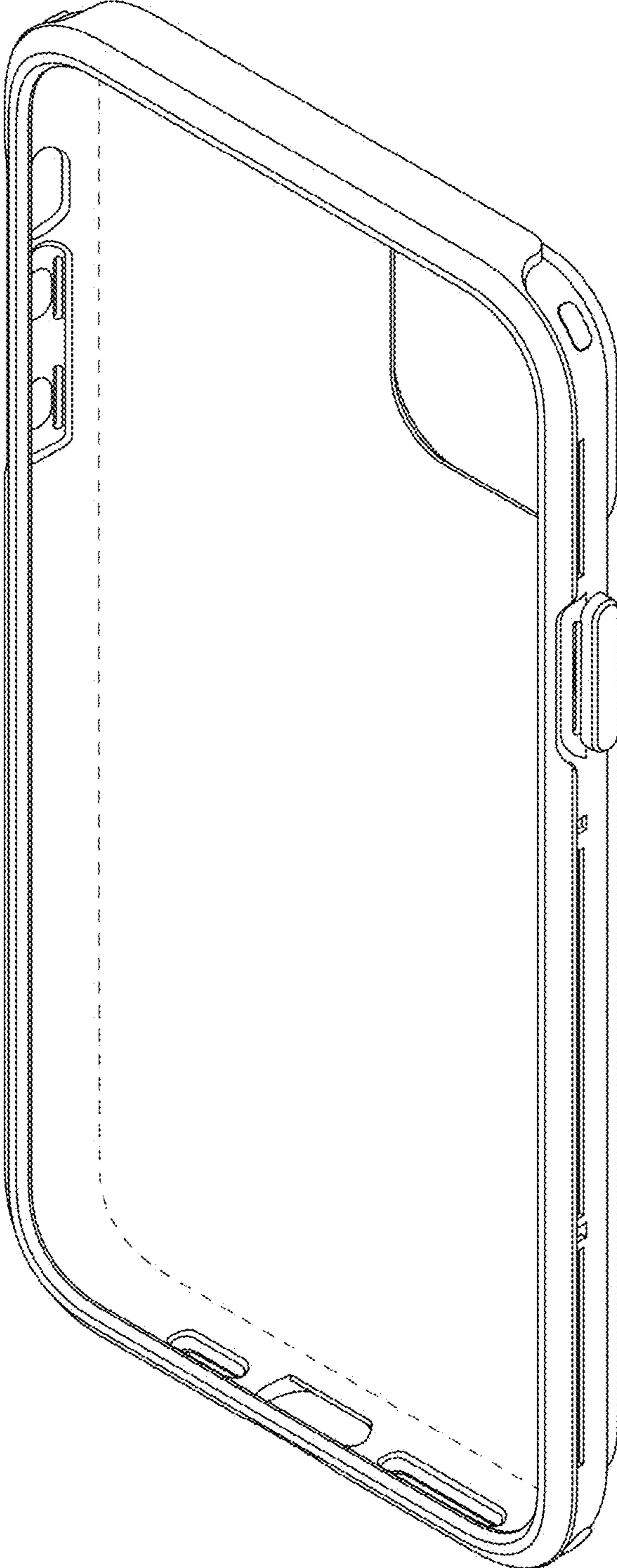


FIG. 10

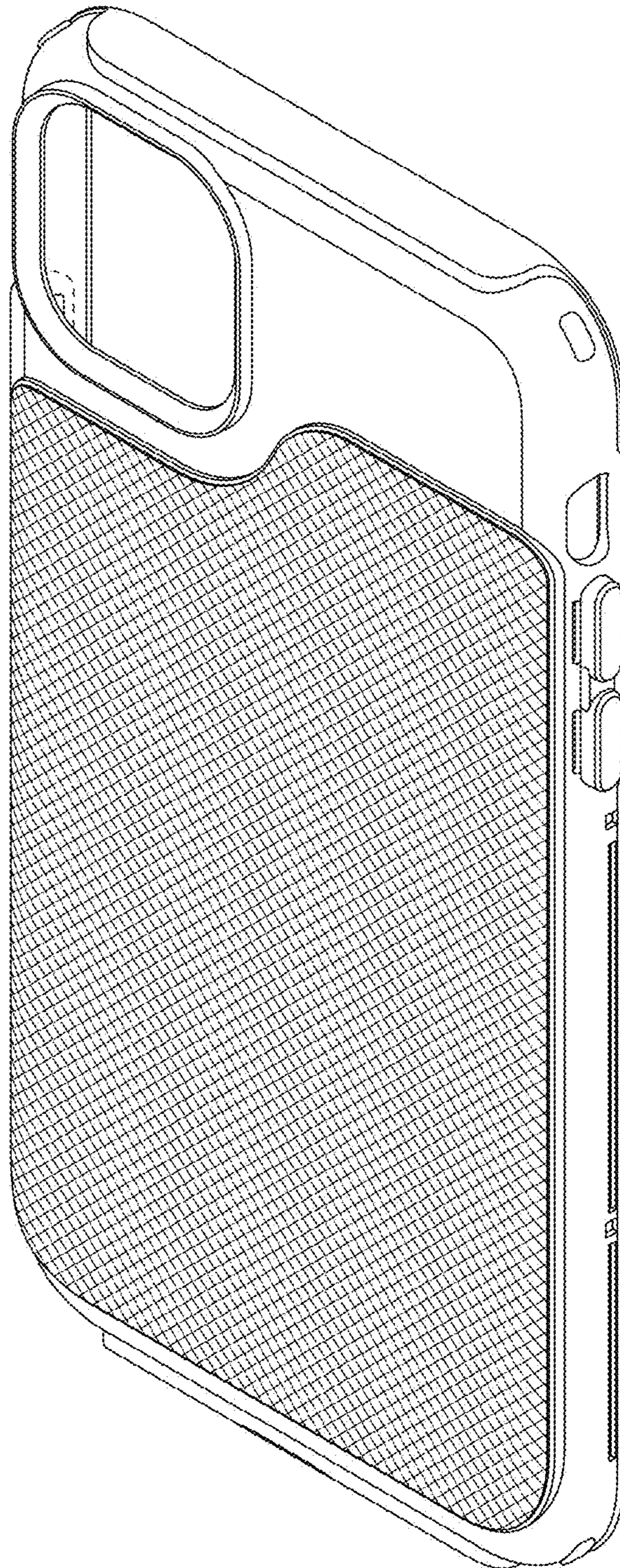


FIG. 11

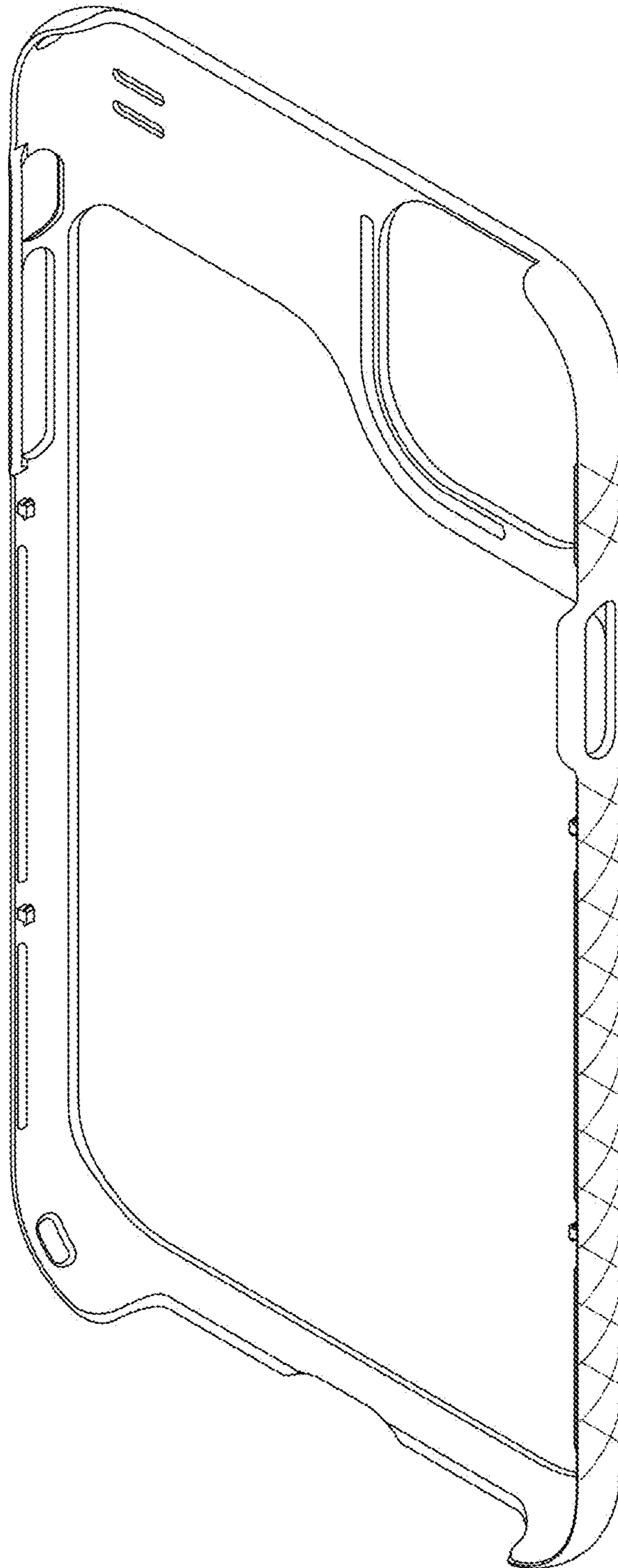


FIG. 12

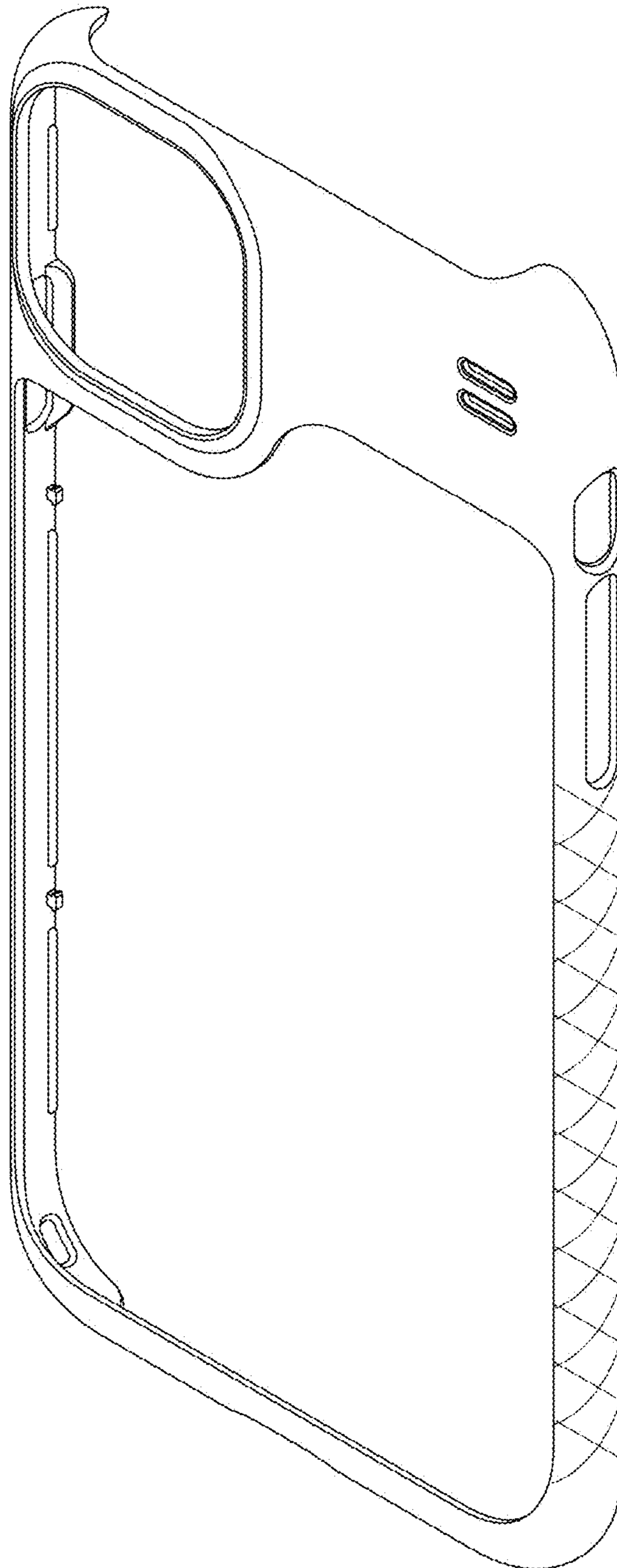


FIG. 13

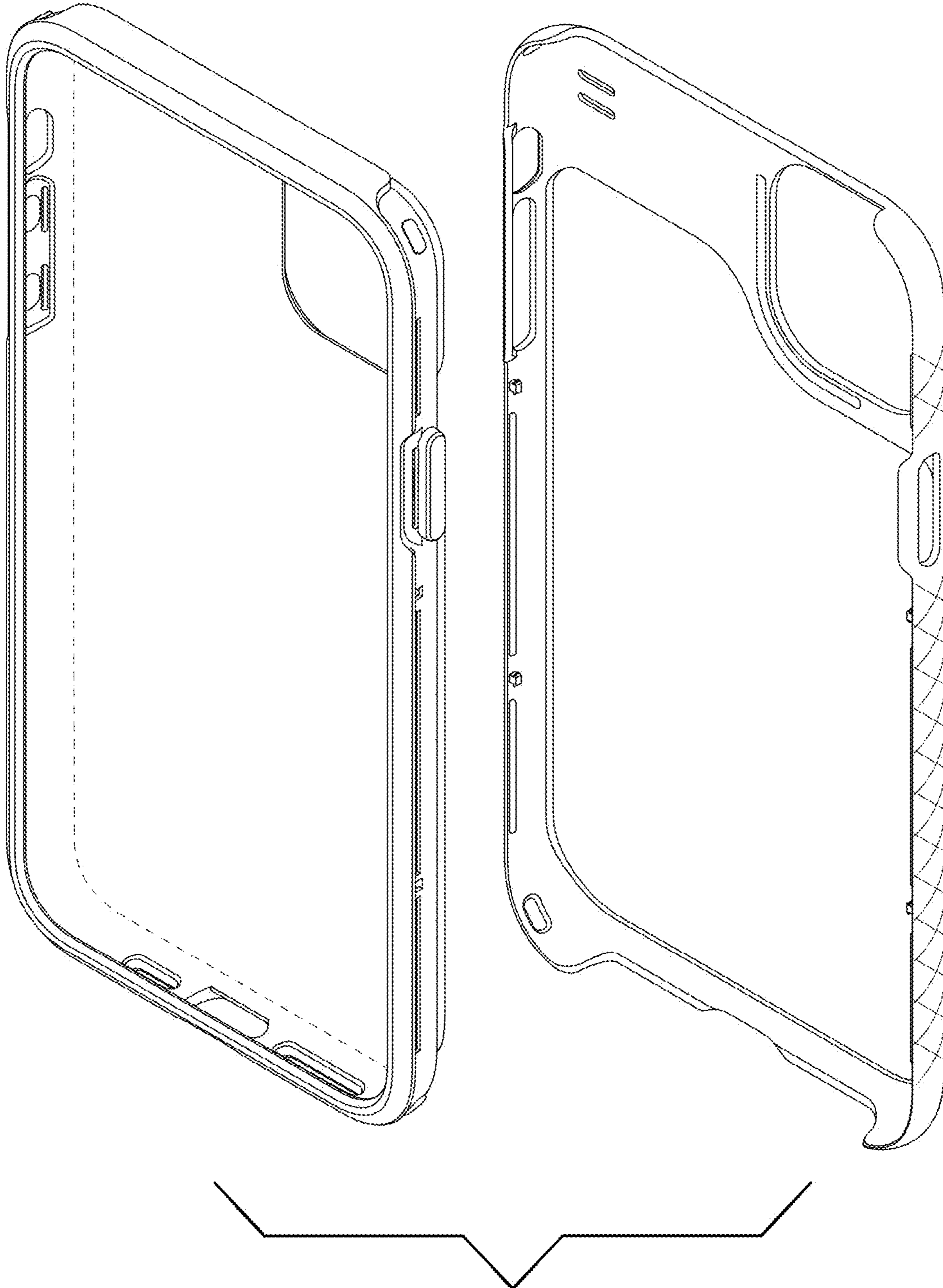


FIG. 14

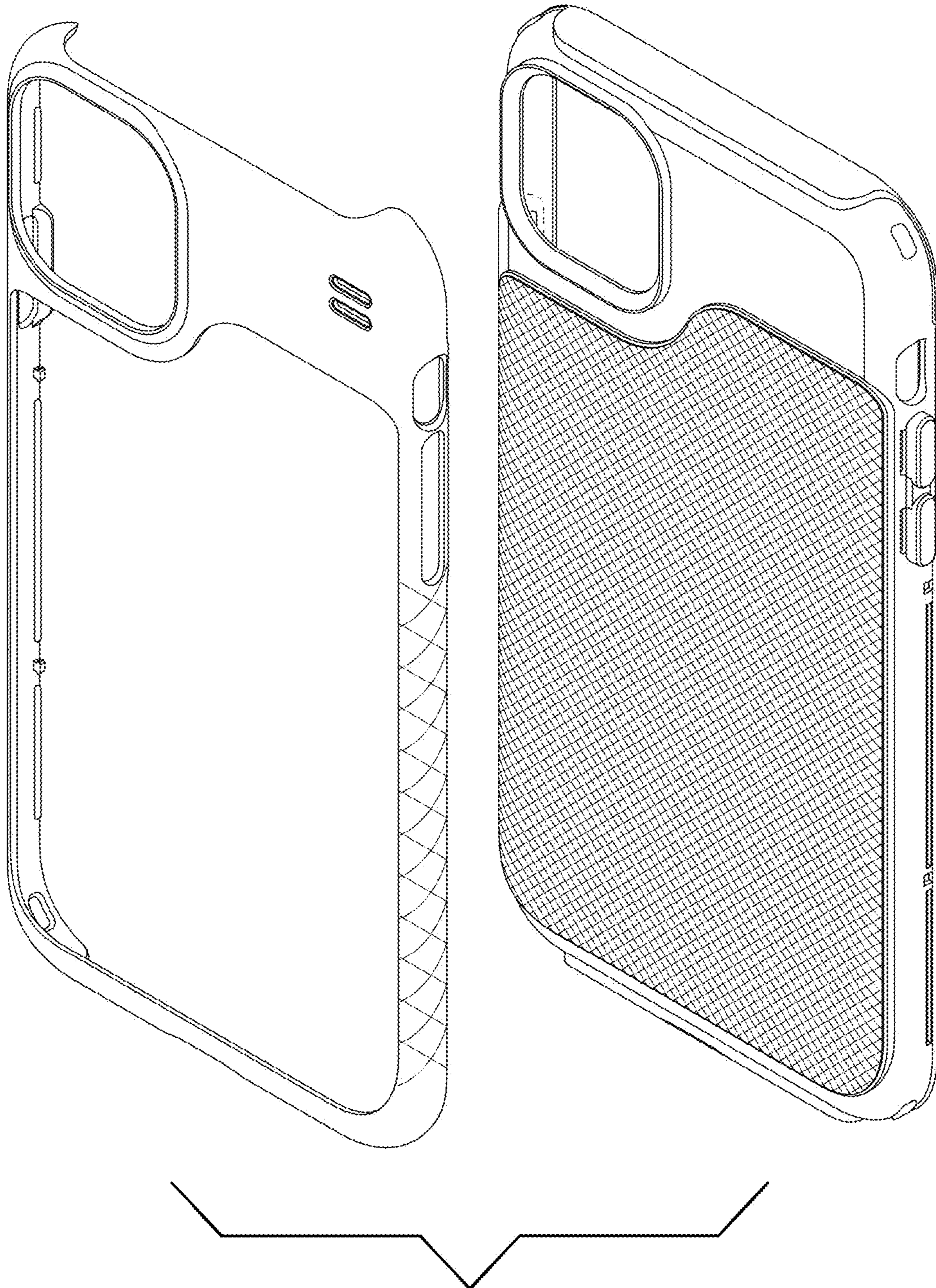


FIG. 15

