



US00D905677S

(12) **United States Design Patent** (10) **Patent No.:** **US D905,677 S**  
**Kim** (45) **Date of Patent:** **\*\* Dec. 22, 2020**

(54) **CASE FOR ELECTRONIC COMMUNICATIONS DEVICE**

(71) Applicant: **SPIGEN KOREA CO., LTD.**, Seoul (KR)

(72) Inventor: **Seungjoo Kim**, Seoul (KR)

(73) Assignee: **SPIGEN KOREA CO., LTD.**, Seoul (KR)

(\*\*) Term: **15 Years**

(21) Appl. No.: **29/699,351**

(22) Filed: **Jul. 24, 2019**

(51) **LOC (12) Cl.** ..... **14-03**

(52) **U.S. Cl.**  
 USPC ..... **D14/250**

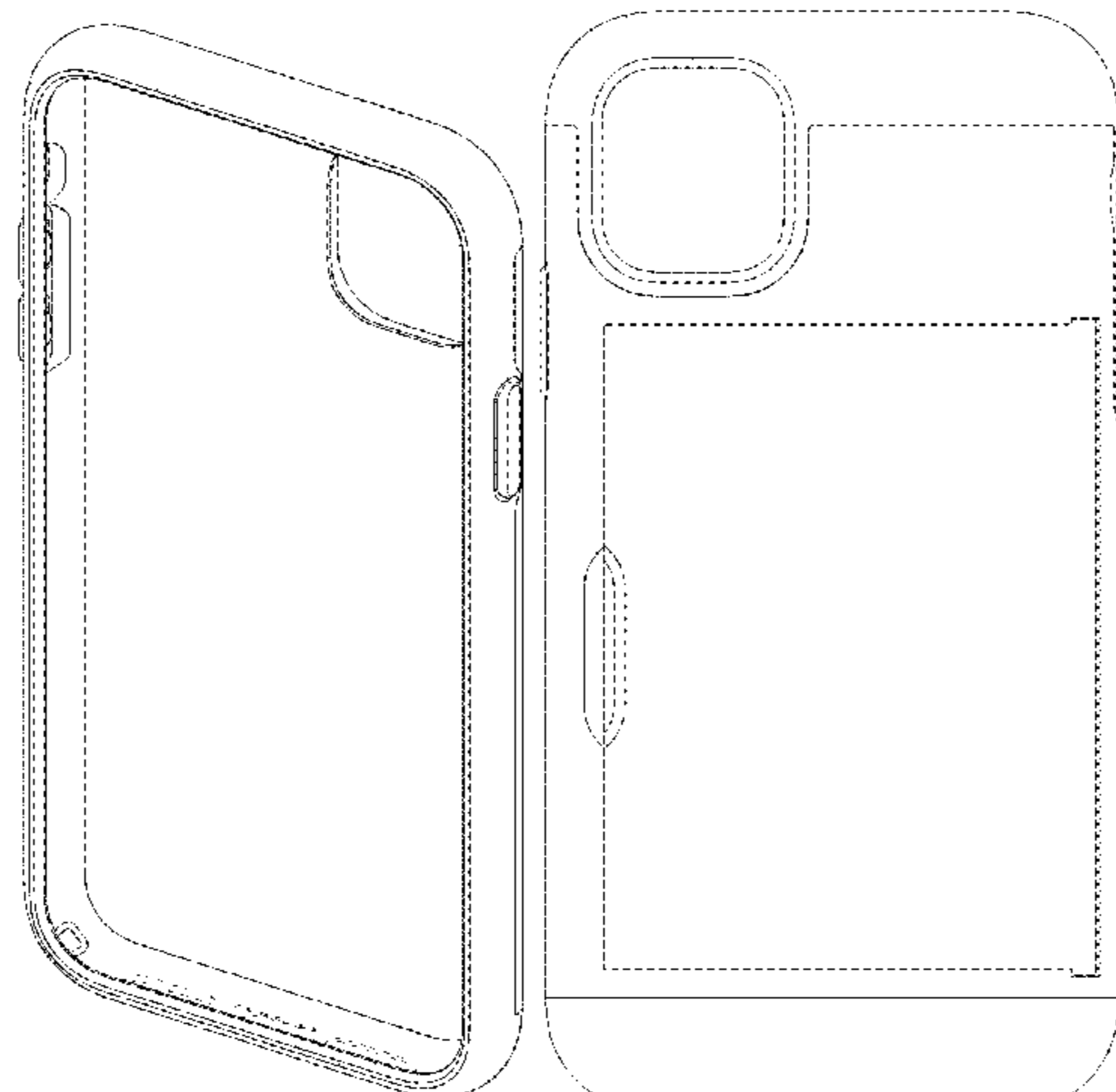
(58) **Field of Classification Search**  
 USPC ..... D14/440, 203.3–203.7, 439, 238.1,  
 D14/251–253, 447, 217, 240, 248, 250;  
 D3/201, 218, 247, 269, 273, 301, 303;  
 D13/103, 119, 107–108  
 CPC ..... H04B 1/3888; H04M 1/0283;  
 H04M 1/0202; A45C 1/06; A45C 11/00;  
 A45C 13/02; A45C 2011/002; A45F  
 2005/026; A45F 2200/0525; A45F  
 2200/0516

See application file for complete search history.

8,504,127 B2 8/2013 Altschul et al.  
 8,517,172 B1 8/2013 Chang  
 D692,419 S \* 10/2013 Rayner ..... D14/250  
 D703,650 S 4/2014 Ehrlich  
 D703,651 S 4/2014 Ehrlich  
 D705,764 S \* 5/2014 Thoni ..... D14/250  
 8,726,952 B2 5/2014 Jambunathan et al.  
 D707,965 S 7/2014 Requa  
 D716,045 S 10/2014 Requa  
 D721,689 S \* 1/2015 Altschul ..... H04B 1/3888  
 D14/250  
 D723,532 S 3/2015 Stevinson  
 8,971,975 B2 3/2015 Ramies et al.  
 9,049,283 B1 6/2015 Kim  
 D740,798 S 10/2015 Poon et al.  
 D741,845 S 10/2015 Kim  
 D743,931 S 11/2015 Hubbard et al.  
 D746,275 S 12/2015 Mohammad  
 9,241,551 B2 1/2016 Lawson et al.  
 D749,068 S 2/2016 Zaborski et al.  
 D749,557 S 2/2016 Feng  
 D753,099 S 4/2016 Kim  
 D756,343 S 5/2016 Wall et al.  
 D756,911 S 5/2016 Gupta et al.  
 D759,004 S \* 6/2016 Stevinson ..... D14/250  
 D759,966 S 6/2016 Pignotti  
 D763,841 S 8/2016 Kim  
 D765,069 S \* 8/2016 Jeffrey ..... D14/250  
 D771,607 S 11/2016 Kim  
 D771,608 S 11/2016 Kim et al.  
 D772,209 S 11/2016 Kim et al.  
 D775,620 S 1/2017 Kim  
 D776,646 S 1/2017 Deng  
 D776,648 S 1/2017 Kim  
 D776,649 S 1/2017 Kim  
 D780,163 S 2/2017 Fathollahi  
 D786,233 S 5/2017 Kim  
 D788,760 S 6/2017 Kim  
 9,675,150 B2 \* 6/2017 Kim ..... A45C 11/182  
 D791,116 S 7/2017 Kim  
 D793,380 S 8/2017 Ballou et al.  
 D796,497 S 9/2017 Kim  
 D796,498 S 9/2017 Babichenko  
 D798,854 S 10/2017 Babichenko  
 D801,323 S 10/2017 Kim  
 D802,574 S 11/2017 Kim  
 D802,575 S 11/2017 Castro  
 D802,577 S 11/2017 Ahn  
 D807,338 S 1/2018 Kim  
 D808,944 S 1/2018 Kim  
 D819,013 S 5/2018 Kim et al.  
 D820,819 S 6/2018 Kim  
 D830,352 S 10/2018 Chung

(56) **References Cited**  
 U.S. PATENT DOCUMENTS

D619,361 S 7/2010 Andre et al.  
 D624,064 S \* 9/2010 Esposito ..... D14/250  
 D631,246 S \* 1/2011 Boettner ..... D3/203.2  
 D646,265 S 10/2011 Fathollahi  
 D648,332 S 11/2011 Kim et al.  
 D650,371 S 12/2011 Wibby et al.  
 D655,281 S 3/2012 Turocy  
 D656,495 S 3/2012 Andre et al.  
 D663,263 S 7/2012 Gupta et al.  
 D681,615 S 5/2013 Fathollahi  
 D682,196 S 5/2013 Leung  
 D688,654 S \* 8/2013 Stevinson ..... D14/250  
 D688,655 S 8/2013 Rey-Hipolito et al.



D834,010	S *	11/2018	Kim	.....	D14/250
D834,571	S	11/2018	Ravid		
D836,096	S *	12/2018	Altschul	.....	D14/250
D836,620	S *	12/2018	Ehrlich	.....	D14/250
D837,774	S *	1/2019	Koo	.....	D14/250
D849,733	S *	5/2019	Yun	.....	D14/250
D850,434	S *	6/2019	Yun	.....	D14/250
D850,435	S *	6/2019	Yun	.....	D14/250
10,362,847	B1 *	7/2019	Okada	.....	A45C 11/00
2012/0067751	A1 *	3/2012	Mongan	.....	A45C 11/182 206/216
2014/0221056	A1 *	8/2014	Gandhi	.....	H04B 1/3888 455/575.8
2015/0141082	A1 *	5/2015	Ehrlich	.....	H04B 1/3888 455/575.1
2015/0244407	A1 *	8/2015	Peral	.....	H04B 1/3888 455/575.8
2015/0365122	A1 *	12/2015	Kim	.....	H04M 1/21 455/575.8
2016/0101902	A1 *	4/2016	Kim	.....	F16M 11/00 206/45.23
2016/0173160	A1 *	6/2016	Gronewoller	.....	H04M 1/185 455/575.8
2017/0086557	A1 *	3/2017	Choi	.....	A45C 15/00

OTHER PUBLICATIONS

“Spigen Slim Armor CS Galaxy S7 Case with Slim Dual Layer Wallet Design and Card Slot Holder for Samsung Galaxy S7 2016—Gunmetal”, <https://www.amazon.com/dp/B01AUR1HF4>, Earliest review date of Mar. 11, 2016.

“Spigen Slim Armor CS Galaxy S7 Edge Case with Slim Dual Layer Wallet Design and Card Slot Holder for Galaxy S7 Edge 2016—Gunmetal”, <https://www.amazon.com/dp/B01CTRI5VM>, Earliest review date of Apr. 22, 2016.

“iPhone 7 Plus Case, Spigen® [Slim Armor CS] Card Holder [Gunmetal] Slim Fit Dual Layer Protective with Card Slot Holder Wallet Case for iPhone 7 Plus (2016)—(043CS20526)”, <https://www.amazon.co.uk/dp/B01G1WFLQ6>, Date first available at Amazon.co.uk of Aug. 2, 2016, Downloaded on Aug. 23, 2018.

“VRS Design Damda Glide Samsung Galaxy Note 7 Case—Blue Coral”, <https://www.mobilefun.com/vrs-design-damda-glide-samsung-galaxy-note-7-case-blue-coral-60422>, Earliest review date of Sep. 9, 2016.

“Galaxy S7 Edge Case Damda Glide Series”, <https://vrsdesign.com/products/damda-glide-series-galaxy-s7-edge-case>, Earliest review posted on 2016, Downloaded on Dec. 17, 2018.

“Galaxy S7 Case, VRS Design [Damda Glide Series] Semi Automatic Card Slot with Military Grade Protection (Satin Silver)”, <https://www.amazon.com/dp/B01LWRTPWR>, Earliest review date of Nov. 8, 2016.

“iPhone 6 Plus/6s Plus Case Damda Glide Series”, <https://vrsdesign.com/products/iphone-6-plus-6s-plus-damda-glide-series>, Earliest review posted on 2016, Downloaded on Dec. 18, 2018.

“iPhone 7 Plus / 8 Plus Case, VRS Design [Damda Glide Series] Semi Automatic Card Slot with Military Grade Protection (Steel Silver)”, <https://www.amazon.com/DP/B01LY0IWRH>, Earliest review date of Oct. 18, 2016.

“VRS Design [Damda Glide Series] Semi Automatic Card Slot Shockproof Case Compatible with Apple iPhone 7 / 8—(Steel Silver)”, <https://www.amazon.com/dp/B01LXD3F6L>, Earliest review date of Oct. 11, 2016.

“iPhone 6/6s Case Damda Glide Series”, <https://vrsdesign.com/products/damda-glide-series-2>, Earliest review posted on 2016, Downloaded on Dec. 17, 2018.

“VRS Design unveils semi-automatic Damda Glide cases for the Samsung Galaxy Note 7”, <https://www.prnewswire.com/news-releases/vrs-design-unveils-semi-automatic-damda-glide-cases-for-the-samsung-galaxy-note-7-300299529.html>, Published on Jul. 18, 2016.

“Galaxy Note 7 Case Preview from VRS Design: Damda Glide Case!”, <https://www.youtube.com/watch?v=3aoPDXLbrRk>, Published on Aug. 1, 2016.

“iPhone 6 Case, Verus [Damda Slide][Dark Silver]—[Wallet Card Slot][Heavy Duty Protection] for Apple iPhone 6 4.7”, <https://www.amazon.com/dp/B01EO2PE1O>, Earliest review date of May 24, 2016.

“Galaxy Note 4 Case, Verus [Damda Slide][Dark Silver]—[Wallet Card Slot][Heavy Duty Protection] for Samsung Note 4”, <https://www.amazon.com/dp/B00MJE6I0G>, Earliest review date of Oct. 18, 2014.

“Galaxy Note 5 Case, Verus [Damda Slide][Dark Silver]—[Wallet Card Slot][Heavy Duty Protection] for Samsung Note 5”, <https://www.amazon.com/dp/B00VN6E8KS>, Earliest review date of Aug. 24, 2015.

“Galaxy S6 Edge Case, Verus [Damda Slide][Dark Saved]—[Wallet Card Slot][Heavy Duty Protection] for Samsung galaxy s6 edge”, <https://www.amazon.com/dp/B00U0MDTEM>, Earliest review date of Apr. 2, 2015.

“Galaxy S6 Edge Plus Case, Verus [Damda Slide][Dark Silver]—[Wallet Card Slot][Heavy Duty Protection] for Samsung galaxy s6 plus”, <https://www.amazon.com/dp/B013F8CLK0>, Earliest review date of Aug. 29, 2015.

“iPhone 6 Plus Case, Verus [Damda Slide][Dark Silver]—[Wallet Card Slot][Heavy Duty] for Apple iPhone 6 Plus 5.5”, <https://www.amazon.com/dp/B01EO2P5H2>, Earliest review date of May 26, 2016.

“iPhone 6S Case, Verus [Damda Slide][Dark Silver]—[Wallet Card Slot][Heavy Duty Protection] for Apple iPhone 6 6s 4.7”, <https://www.amazon.com/dp/B00M9UBQ2A>, Earliest review date of Sep. 16, 2014.

“iPhone 6S Plus Case, Verus [Damda Slide][Dark Silver]—[Wallet Card Slot][Heavy Duty] for Apple iPhone 6 6s Plus 5.5”, <https://www.amazon.com/dp/B00NHZZ1ZY>, Earliest review date of Oct. 5, 2014.

“Spigen Slim Armor CS iPhone 6 Case with Slim Dual Layer Wallet Design and Card Slot Holder for iPhone 6S / iPhone 6—CS Gunmetal”, <https://www.amazon.com/Spigen-iPhone-Wallet-Design-Holder/dp/B00JH88JDQ>, Earliest review date of Sep. 10, 2014, Downloaded on Jan. 16, 2019.

“Spigen Slim Armor CS Galaxy S7 Case with Slim Dual Layer Wallet Design and Card Slot Holder for Samsung Galaxy S7 2016—Gunmetal”, <https://www.amazon.com/dp/B01AUR1HF4>, Earliest review date of Mar. 12, 2016, Downloaded on Sep. 5, 2018.

“Spigen Slim Armor CS iPhone 7 Case/iPhone 8 Case with Slim Dual Layer Wallet Design and Card Slot Holder for Apple iPhone 7 (2016) / iPhone 8 (2017)—Gunmetal”, <https://www.amazon.com/dp/B01GIVWS2C>, Earliest review date of Apr. 22, 2016, Downloaded on Sep. 5, 2018.

“Spigen Crystal Wallet iPhone 7/iPhone 8 Case with Slim Dual Layer Wallet Design and Card Slot Holder for Apple iPhone 7 (2016) / iPhone 8 (2017)—Jet White”, <https://www.amazon.com/dp/B01N3NIB0N>, Earliest review date of Mar. 30, 2017, Downloaded on Sep. 5, 2018.

“Spigen Slim Armor CS Galaxy S8 Plus Case with Slim Dual Layer Wallet Design and Card Slot Holder for Galaxy S8 Plus (2017)—Rose Gold”, <https://www.amazon.com/Spigen-Galaxy-Wallet-Design-Holder/dp/B06XNW4YD8>, Earliest review date of Apr. 3, 2017, Downloaded on Jan. 16, 2019.

“Spigen Slim Armor CS Galaxy S8 Case with Slim Dual Layer Wallet Design and Card Slot Holder for Samsung Galaxy S8 (2017)—Gunmetal”, <https://www.amazon.com/Spigen-Galaxy-Wallet-Design-Samsung/dp/B06XP51T59>, Earliest review date of Apr. 7, 2017, Downloaded on Sep. 5, 2018.

“Spigen Slim Armor CS Galaxy Note 8 Case with Slim Dual Layer Wallet Design and Card Slot Holder for Galaxy Note 3 (2017)—Black”, <https://www.amazon.com/Spigen-Galaxy-Wallet-Design-Holder/dp/B073RWKCQ8>, Earliest review date of Sep. 1, 2017, Downloaded on Sep. 5, 2018.

“Spigen Slim Armor CS iPhone X Case with Slim Dual Layer Wallet Design and Card Slot Holder for Apple iPhone X (2017)—Black”, <https://www.amazon.com/Spigen-Armor-Designed-Apple-iPhone/dp/B074CNGG4N>, Earliest review date of Sep. 25, 2017, Downloaded on Sep. 5, 2018.

“Spigen Slim Armor CS Google Pixel 2 Case with Slim Dual Layer Wallet Design and Card Slot Holder for Google Pixel 2 (2017)—

Black”, <https://www.amazon.com/Spigen-Armor-Designed-Apple-iPhone/dp/B074CNGG4N>, Earliest review date of Sep. 25, 2017, Downloaded on Sep. 5, 2018.

Black”, <https://www.amazon.com/Spigen-Google-Wallet-Design-Holder/dp/B07474KKY2>, Earliest review date of Nov. 24, 2017, Downloaded on Jan. 16, 2019.

“Spigen Slim Armor CS Google Pixel 2 XL Case with Slim Dual Layer Wallet Design and Card Slot Holder for Google Pixel 2 XL (2017)—Black”, <https://www.amazon.com/Spigen-Google-Wallet-Design-Holder/dp/B07473W4ZK>, Earliest review date of Nov. 25, 2017, Downloaded on Jan. 16, 2019.

“Spigen Slim Armor CS Galaxy S9 Plus Case with Slim Dual Layer Wallet Design and Card Slot Holder for Samsung Galaxy S9 Plus (2018)—Gunmetal”, <https://www.amazon.com/Spigen-Galaxy-Wallet-Design-Samsung/dp/B0789SXD7W>, Earliest review date of Mar. 6, 2018, Downloaded on Jan. 16, 2019.

“Spigen Slim Armor CS [Updated Version] Galaxy S9 Case with Slim Dual Layer Wallet Design and Card Slot Holder for Samsung Galaxy S9 (2018)—Gunmetal”, <https://www.amazon.com/Spigen-Updated-Version-Galaxy-Samsung/dp/B07BZHN92K>, Earliest review date of May 18, 2018, Downloaded on Jan. 16, 2019.

“Spigen Slim Armor CS Series Dual Layer Hard Case for Galaxy S6—White/Black”, <https://www.amazon.com/Spigen-Slim-Armor-Layer-Galaxy/dp/B07BCK59YV>, Earliest review date of May 25, 2018, Downloaded on Jan. 16, 2019.

\* cited by examiner

*Primary Examiner* — Carla J Wright

(74) *Attorney, Agent, or Firm* — Heedong Chae; Lucem, PC

(57) **CLAIM**

The ornamental design for a case for electronic communications device, as shown and described.

**DESCRIPTION**

FIG. 1 is a front perspective view of the case for electronic communications devices showing my new design;

FIG. 2 is a rear perspective view thereof;

FIG. 3 is a front elevational view thereof;

FIG. 4 is a rear elevational view thereof;

FIG. 5 is a left side elevational view thereof;

FIG. 6 is a right side elevational view thereof;

FIG. 7 is a top plan view thereof;

FIG. 8 is a bottom plan view thereof;

FIG. 9 is a front perspective view showing the inner shell component of the case in isolation;

FIG. 10 is a rear perspective view showing the inner shell component of the case in isolation;

FIG. 11 is a front perspective view showing the outer frame component of the case in isolation;

FIG. 12 is a rear perspective view showing the outer frame component of the case in isolation;

FIG. 13 is a front perspective view showing the rear compartment cover component of the case in isolation for clarity of disclosure;

FIG. 14 is a rear perspective view showing the rear compartment cover component of the case in isolation for clarity of disclosure;

FIG. 15 is a rear perspective view showing the rear compartment cover in an open position;

FIG. 16 is an exploded rear perspective view showing the components of the case separated; and,

FIG. 17 is an exploded front perspective view showing the components of the case separated.

For clarity of disclosure, the components of the case for electronic communications device are shown in isolation in FIGS. 9-14 and separated in FIGS. 16-17. Although the case for electronic communications device, in which the claimed design is embodied, has an inner shell component, an outer frame component, and a rear compartment cover component, the claim is directed to the overall ornamental appearance of the case in its entirety and does not extend to the ornamental appearance of each of the individual components in isolation.

The broken lines depict portions of the case for electronic communications device that form no part of the claimed design.

**1 Claim, 17 Drawing Sheets**

FIG. 1

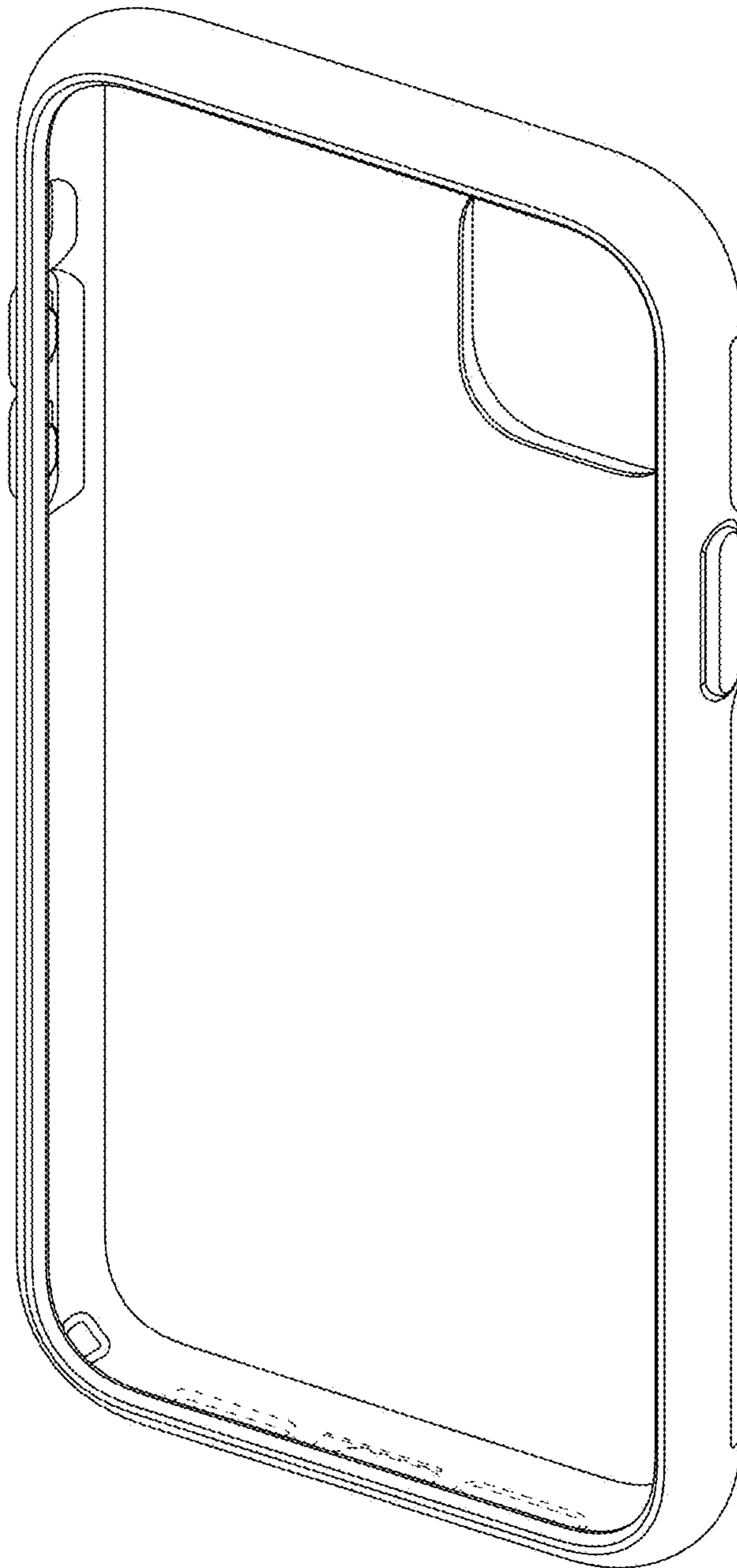


FIG. 2

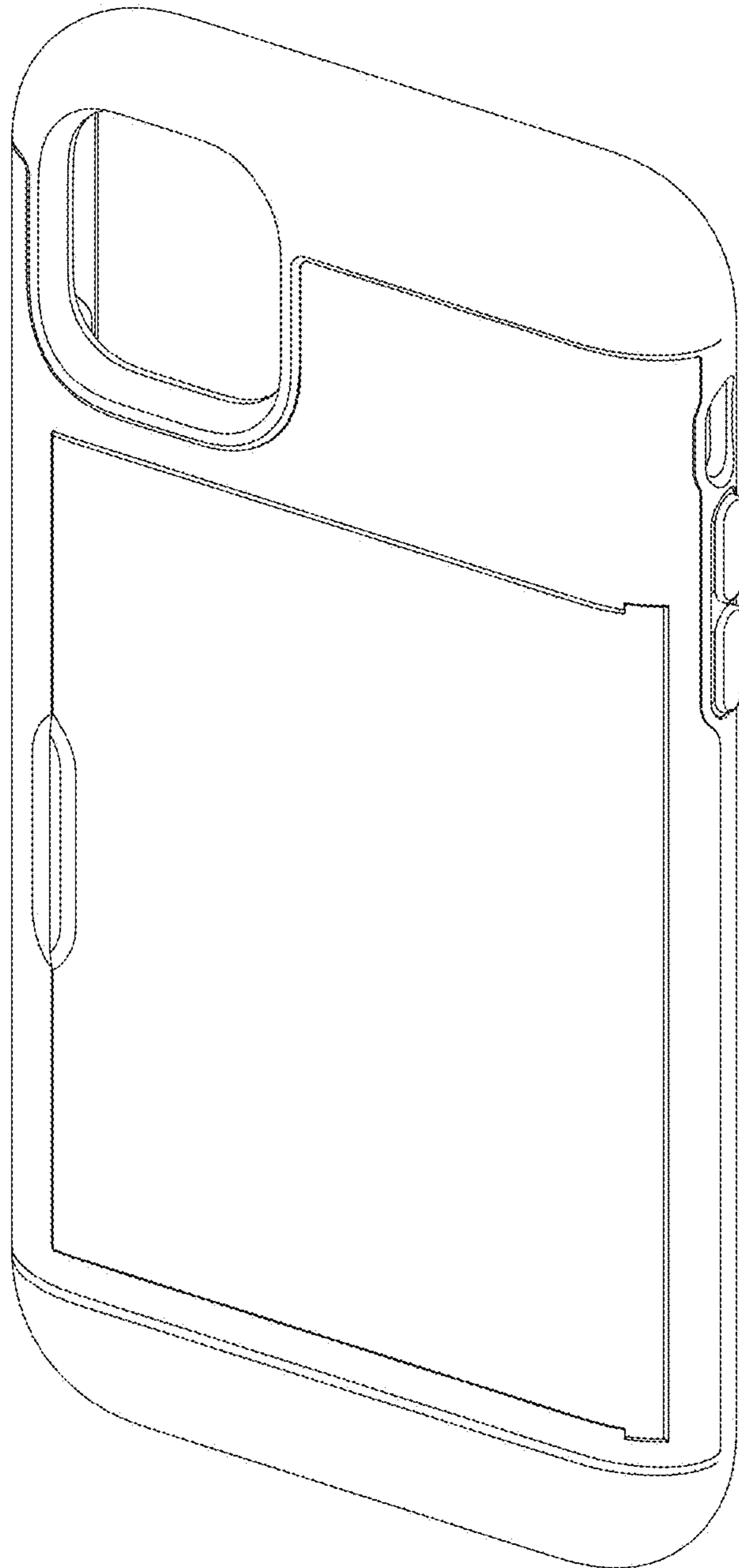


FIG. 3

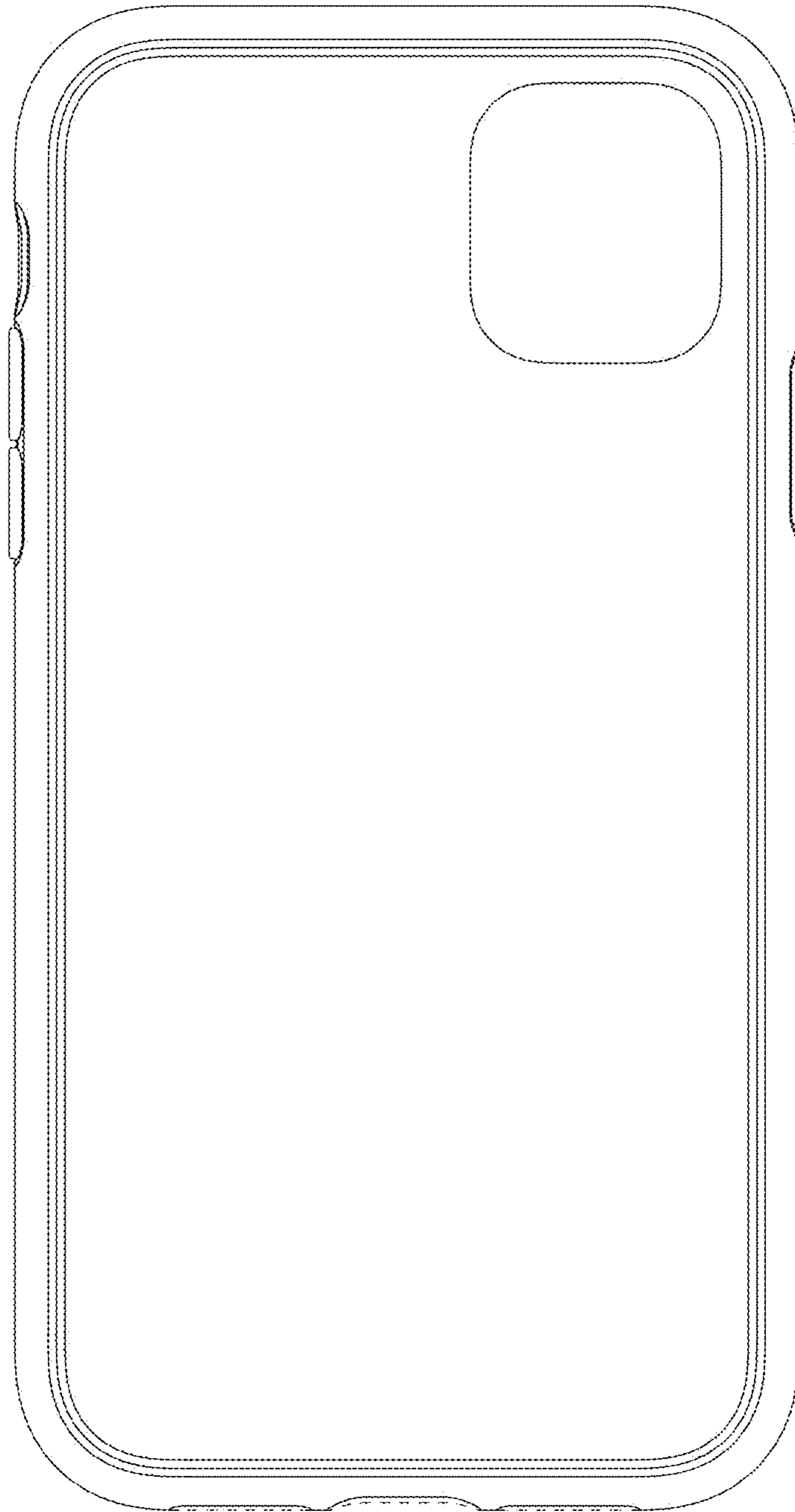
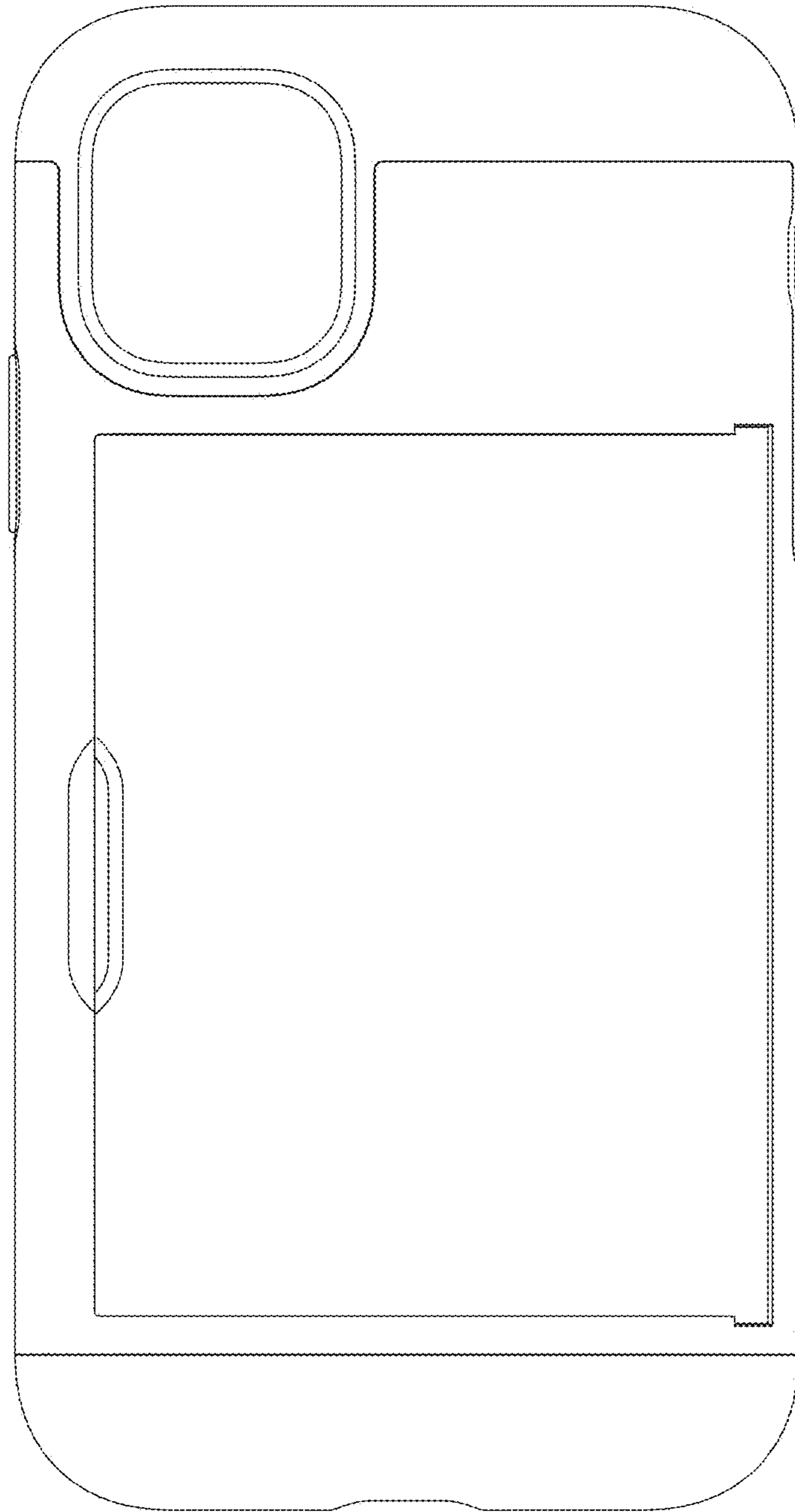
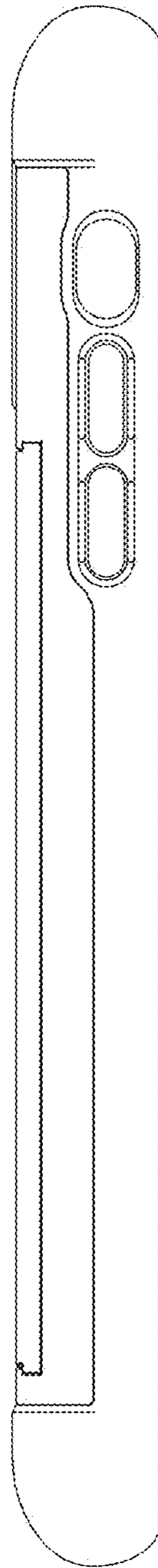


FIG. 4

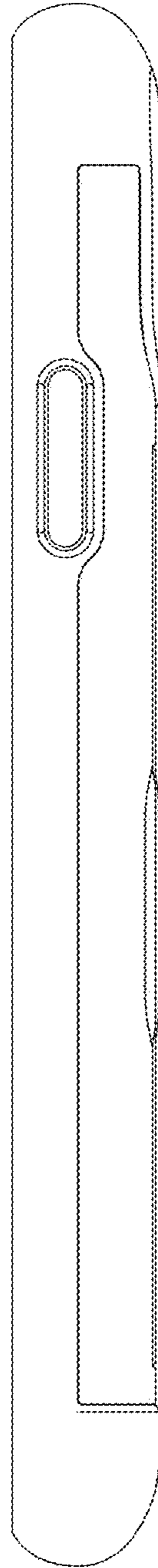


**FIG. 5**





**FIG. 6**



**FIG. 7**

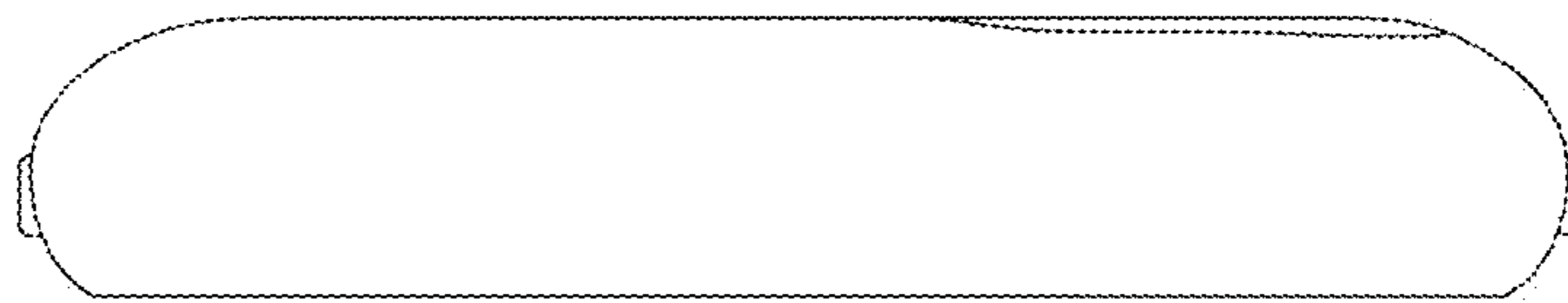


FIG. 8

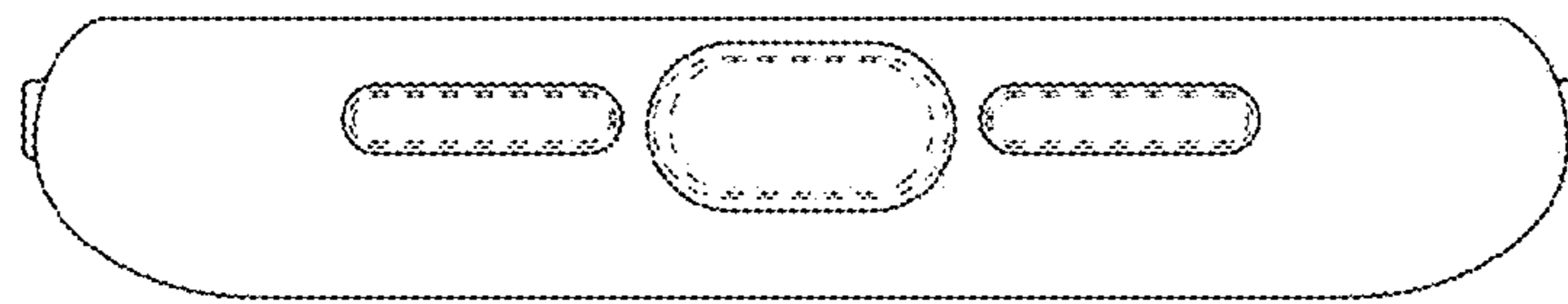
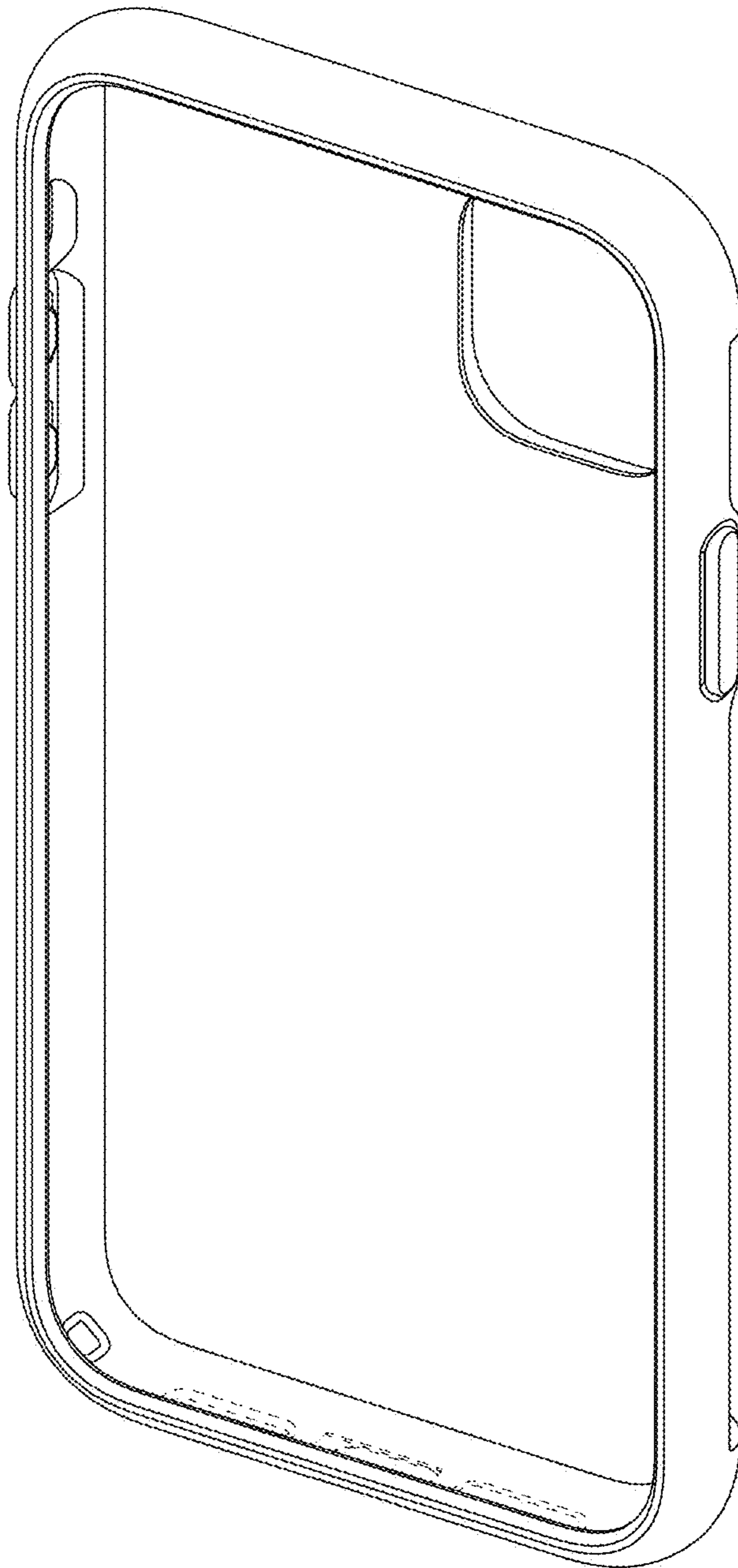
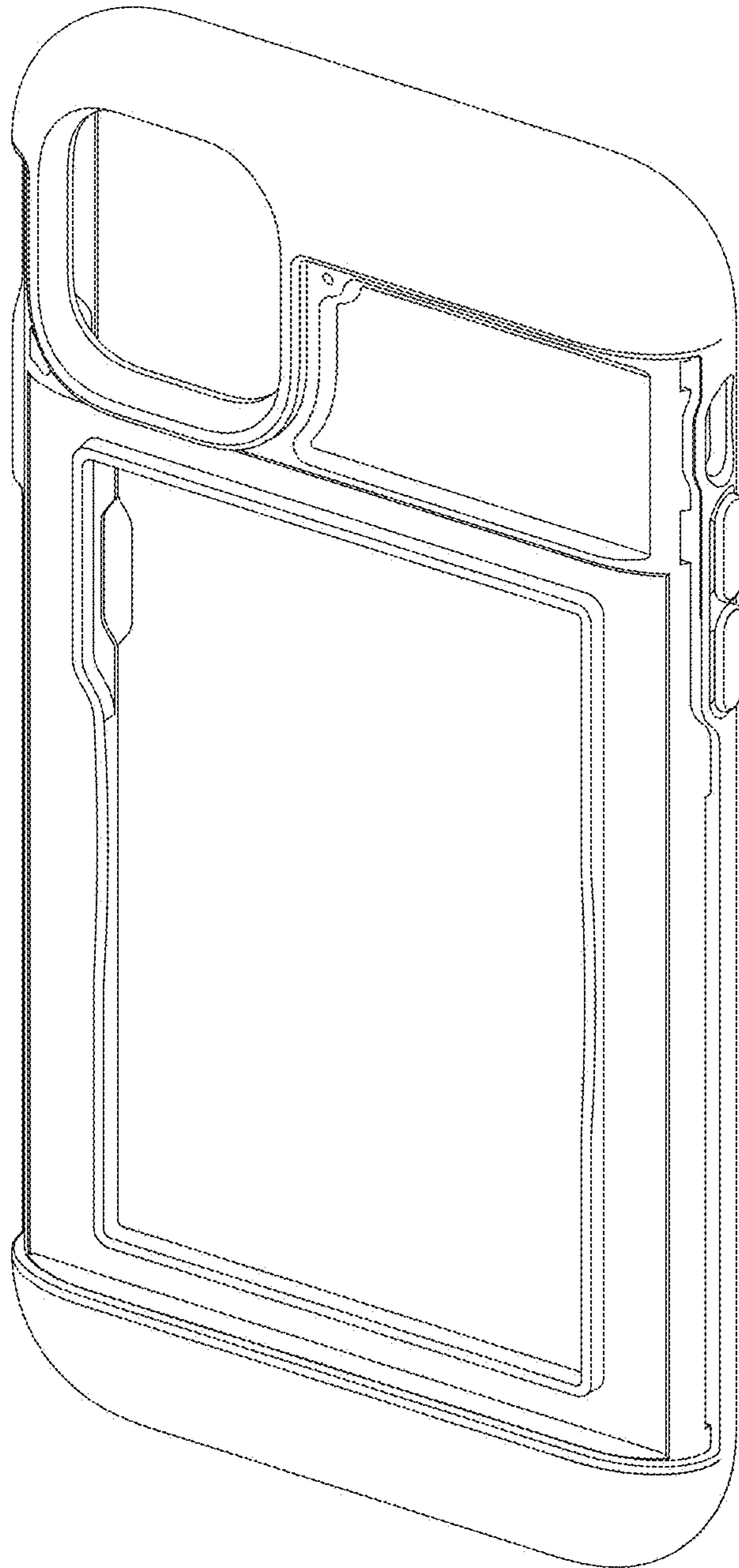


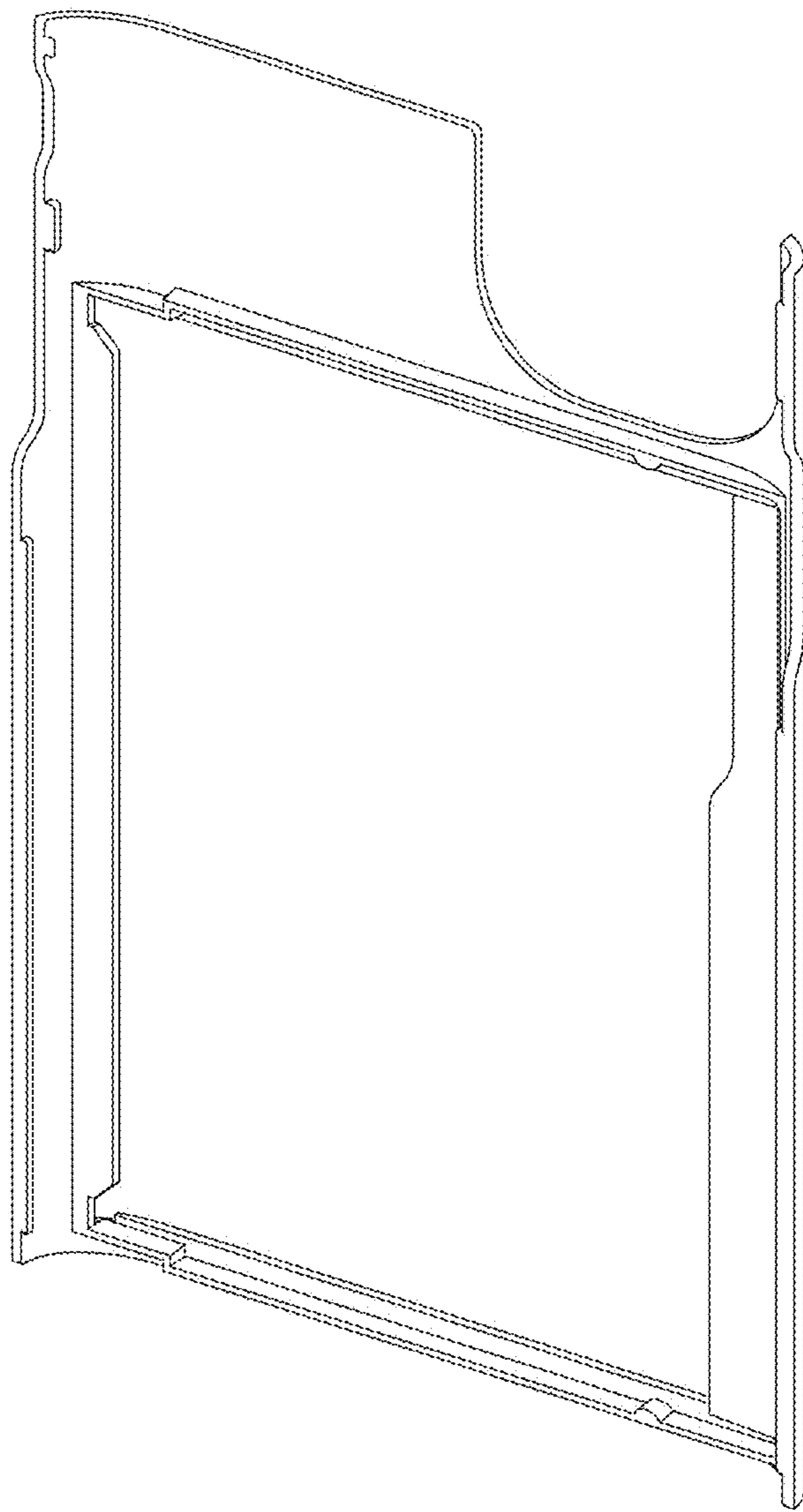
FIG. 9



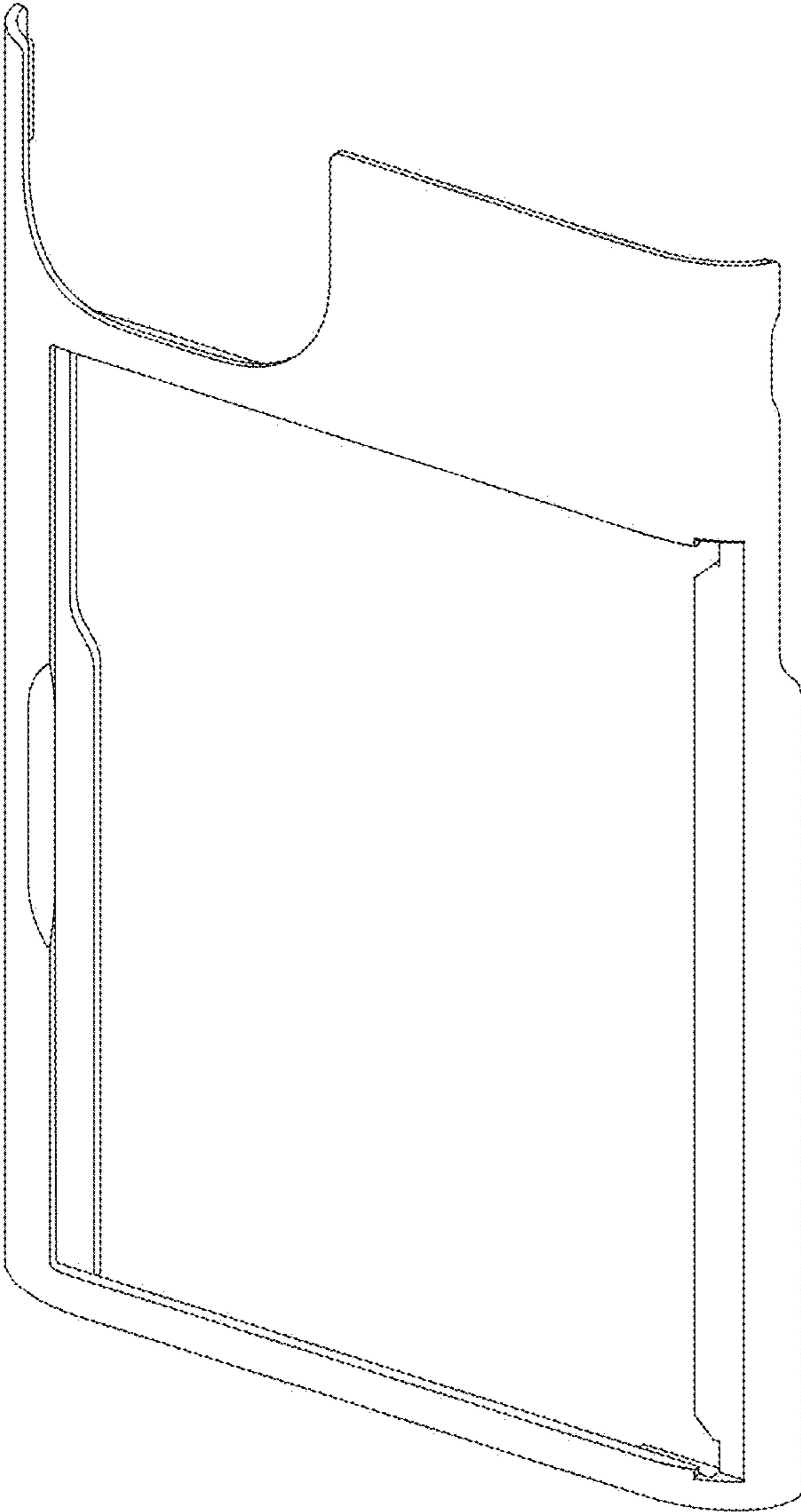
**FIG. 10**



**FIG. 11**



**FIG. 12**



**FIG. 13**

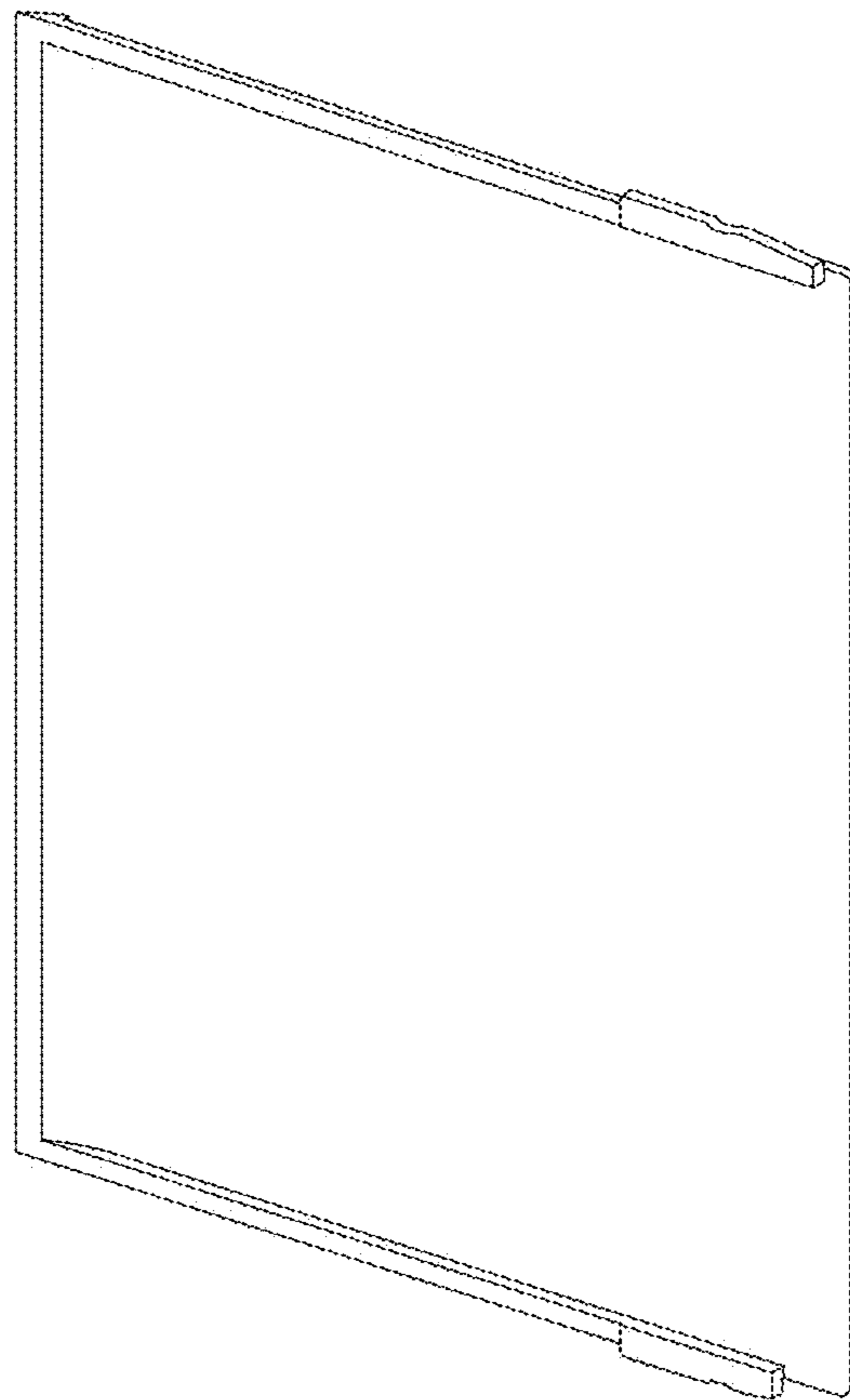




FIG. 14

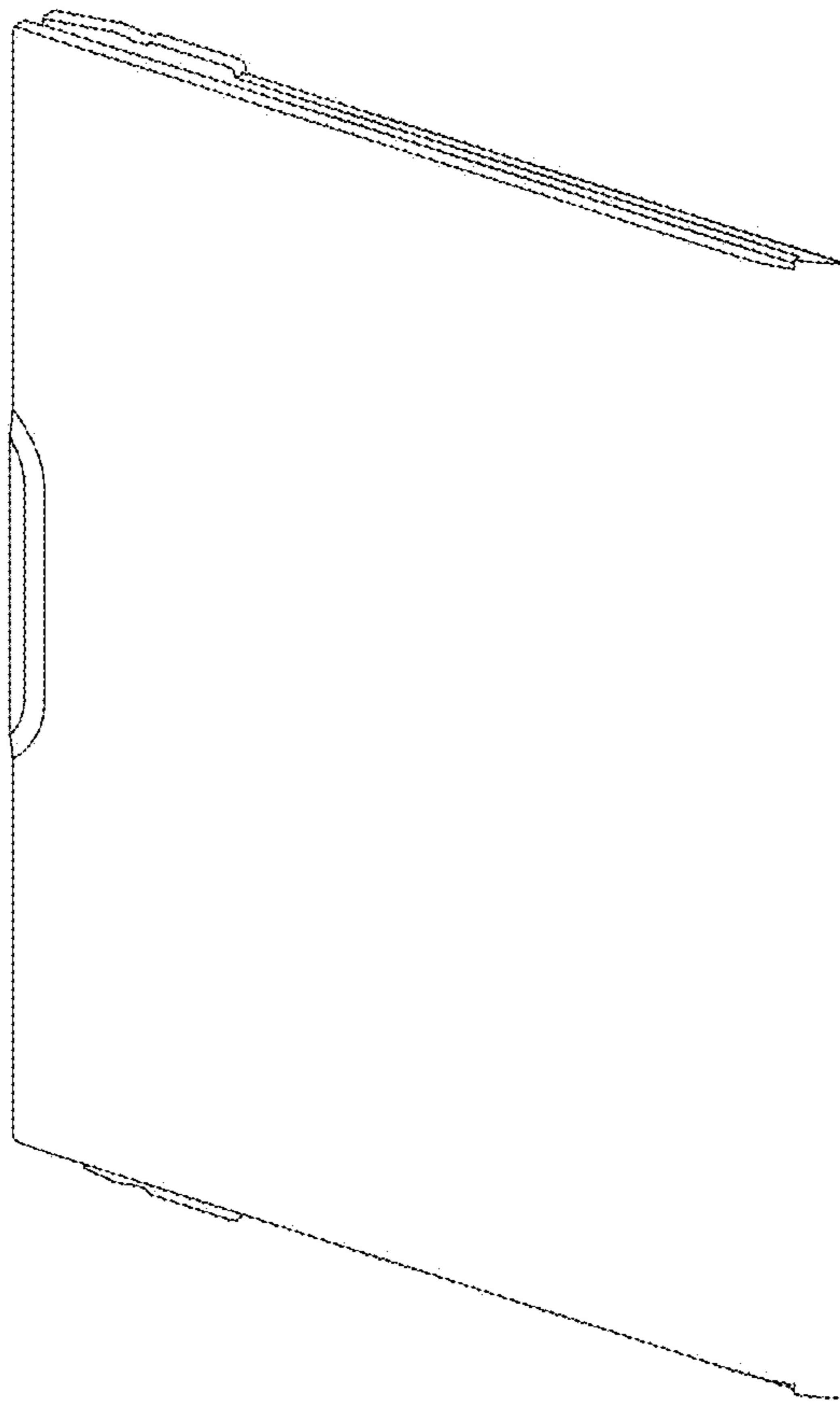


FIG. 15

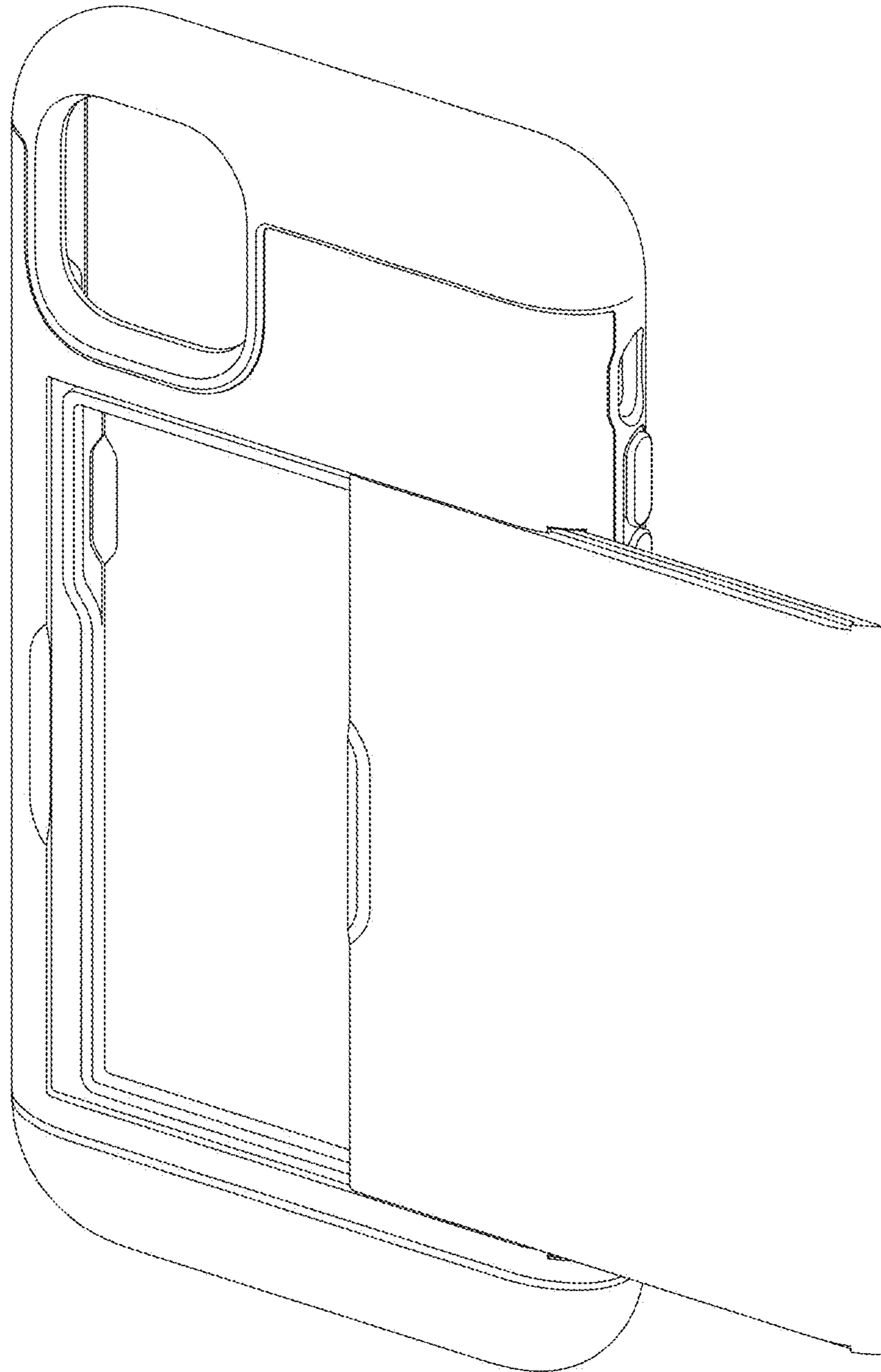


FIG. 16

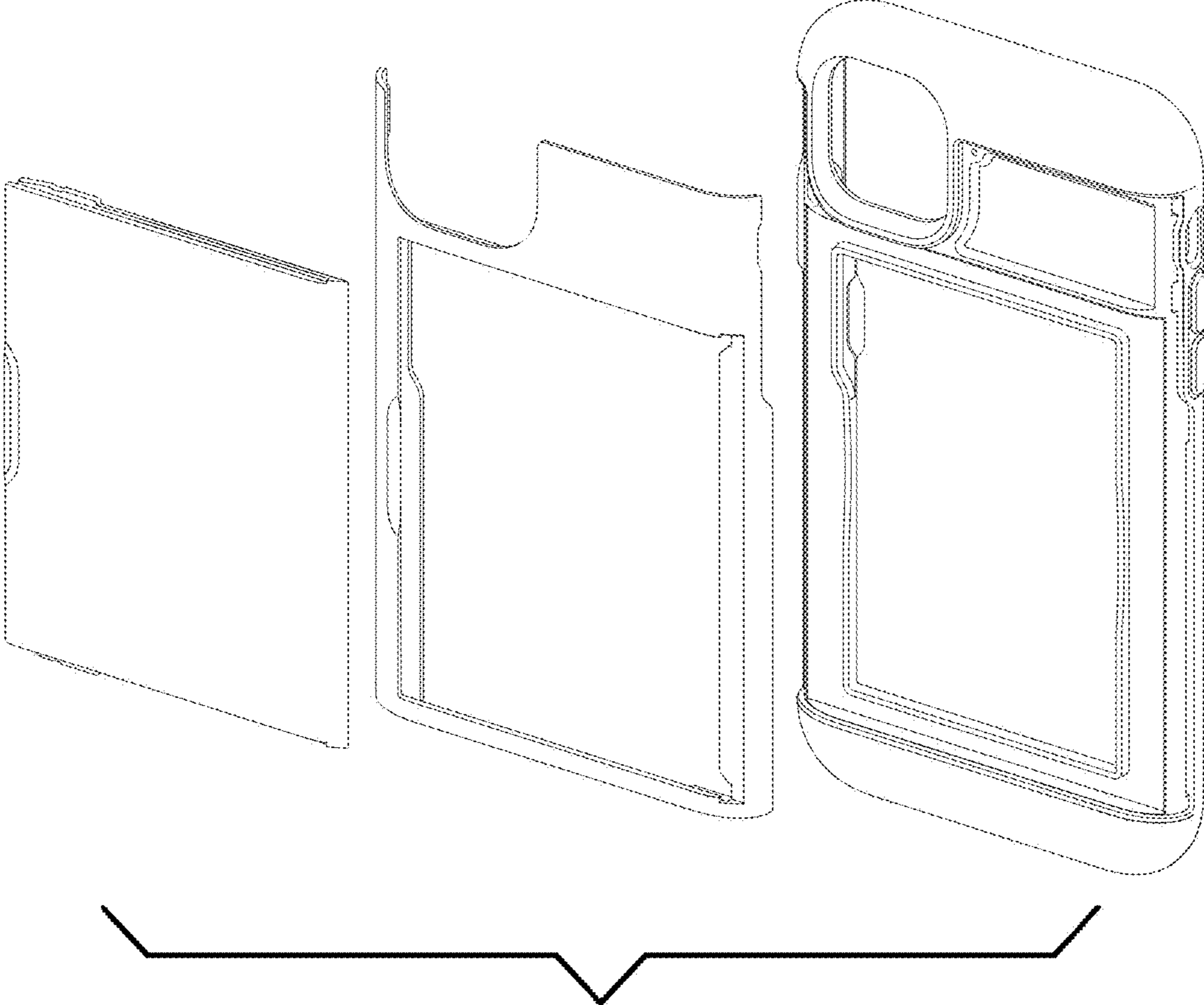


FIG. 17

