



US00D905669S

(12) **United States Design Patent** (10) **Patent No.:** **US D905,669 S**  
**Park et al.** (45) **Date of Patent:** **\*\* Dec. 22, 2020**

(54) **ELECTRONIC DEVICE**  
(71) Applicant: **SAMSUNG ELECTRONICS CO., LTD.**, Suwon-si (KR)  
(72) Inventors: **Hyoungshin Park**, Seoul (KR); **Seungho Jang**, Seongnam-si (KR); **Dongkyun Kim**, Seoul (KR); **Seonkeun Park**, Seoul (KR); **Yunjin Kim**, Seoul (KR)  
(73) Assignee: **SAMSUNG ELECTRONICS CO., LTD.**, Gyeonggi-Do (KR)  
(\*\*) Term: **15 Years**  
(21) Appl. No.: **29/656,226**  
(22) Filed: **Jul. 11, 2018**  
(30) **Foreign Application Priority Data**  
Jan. 12, 2018 (KR) ..... 30-2018-0002043  
Jan. 15, 2018 (KR) ..... 30-2018-0002380  
(51) **LOC (12) Cl.** ..... **14-03**  
(52) **U.S. Cl.**  
USPC ..... **D14/248**  
(58) **Field of Classification Search**  
USPC ..... D14/138 G, 248, 341, 371, 374, 138 R, D14/138 AA, 138 AB, 138 AC, 138 AD, D14/138 C, 247  
CPC ..... H04M 1/0202; H04M 1/0235; H04M 1/0237; H04M 1/0239; H04M 1/0266; H04M 1/0268; H04M 1/027; H04M 1/0295  
See application file for complete search history.

(56) **References Cited**  
U.S. PATENT DOCUMENTS  
D574,806 S \* 8/2008 Lee ..... D14/138 AD  
D582,882 S \* 12/2008 Kim ..... D14/138 AD

D591,739 S 5/2009 Matsuoka  
D635,537 S \* 4/2011 Kim ..... D14/138 G  
D664,941 S 8/2012 Price et al.  
D677,643 S \* 3/2013 Park ..... D14/138 G  
D701,192 S \* 3/2014 Park ..... D14/138 G  
D708,161 S 7/2014 Ishida  
D720,321 S \* 12/2014 Fu ..... D14/138 G  
(Continued)

**OTHER PUBLICATIONS**

Samsung Galaxy A8s, announced Dec. 2018, [online], [retrieved on May 22, 2019]. Retrieved from Internet, <URL: http://www.gsmarena.com>.\*

(Continued)

*Primary Examiner* — Bridget L Eland  
(74) *Attorney, Agent, or Firm* — Cantor Colburn LLP

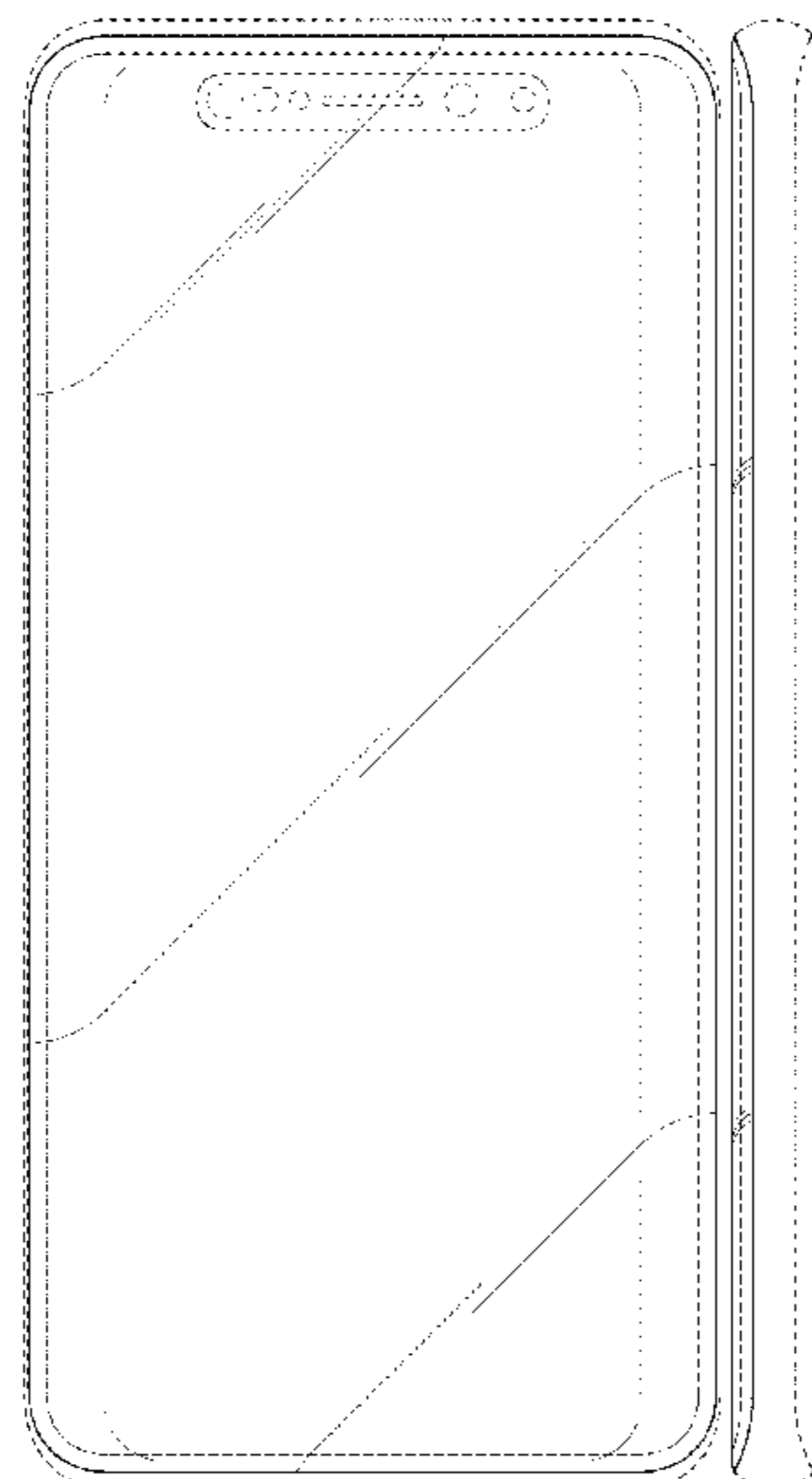
(57) **CLAIM**

The ornamental design for an electronic device, as shown and described.

**DESCRIPTION**

FIG. 1 is a front perspective view of an electronic device showing our new design;  
FIG. 2 is a front view thereof;  
FIG. 3 is a rear view thereof;  
FIG. 4 is a left-side view thereof;  
FIG. 5 is a right-side view thereof;  
FIG. 6 is a top view thereof;  
FIG. 7 is a bottom view thereof; and,  
FIG. 8 is a rear perspective view thereof.  
The broken lines immediately adjacent to the full line showing of the claimed design represent bounds of the claimed design while all other broken lines are directed to environment and are for illustrative purposes only; the broken lines form no part of the claimed design. In addition, the unshaded surface in the views that directly adjoins the claimed solid line edge forms no part of the claimed design.

**1 Claim, 6 Drawing Sheets**



(56)

References Cited

U.S. PATENT DOCUMENTS

D728,505 S \* 5/2015 Chung ..... D14/138 G  
 D746,249 S 12/2015 Park et al.  
 D755,149 S \* 5/2016 Kim ..... D14/138 G  
 D767,523 S 9/2016 Zhang  
 D782,456 S \* 3/2017 Park ..... D14/248  
 D783,567 S \* 4/2017 Park ..... D14/138 G  
 D784,948 S \* 4/2017 Brown, III ..... D14/138 G  
 D798,853 S \* 10/2017 Park ..... D14/248  
 D808,917 S \* 1/2018 Lee ..... D14/138 G  
 D812,582 S \* 3/2018 Jiang ..... D14/138 G  
 D813,186 S \* 3/2018 Lee ..... D14/138 G  
 D818,462 S \* 5/2018 Choi ..... D14/248  
 D820,833 S 6/2018 Kim et al.  
 D828,820 S \* 9/2018 Song ..... D14/138 G  
 D831,602 S 10/2018 Ryu et al.  
 D831,605 S \* 10/2018 Baik ..... D14/138 G  
 D833,407 S \* 11/2018 Kim ..... D14/138 G  
 D833,996 S \* 11/2018 Li ..... D14/138 G  
 D836,094 S \* 12/2018 Park ..... D14/248  
 D839,848 S \* 2/2019 Baik ..... D14/138 G  
 D847,774 S \* 5/2019 Fendler ..... D14/138 G  
 D847,776 S \* 5/2019 Ryu ..... D14/138 G  
 D849,707 S \* 5/2019 Choi ..... D14/138 G  
 D850,402 S \* 6/2019 Cho ..... D14/138 G  
 D853,370 S 7/2019 Matsuoka et al.  
 D856,955 S 8/2019 Seo  
 D857,643 S 8/2019 Choi et al.  
 D861,672 S 10/2019 Kim et al.

D864,177 S 10/2019 Park et al.  
 D864,178 S 10/2019 Park et al.  
 D864,933 S 10/2019 Park et al.  
 D865,735 S 11/2019 Park et al.  
 D865,737 S 11/2019 Park et al.  
 D865,738 S 11/2019 Park et al.  
 D866,496 S 11/2019 Kim et al.  
 D866,499 S 11/2019 Shin et al.  
 D867,351 S 11/2019 Park et al.  
 D876,416 S 2/2020 Park et al.  
 D876,417 S 2/2020 Park et al.  
 D876,418 S 2/2020 Park et al.  
 2016/0299534 A1 10/2016 Wu et al.

OTHER PUBLICATIONS

Samsung Galaxy S10 5G, announced Feb. 2019, [online], [retrieved on May 22, 2019]. Retrieved from Internet ,<URL: <http://www.gsmarena.com>>.\*  
 U.S. Appl. No. 29/656,258, filed Jul. 11, 2018; Notice of Allowance dated Apr. 29, 2020; 14 pages.  
 Jeet; "Samsung Galaxy S10 Patent Reveals a Notch-Killing Smartphone Design"; Gizmochina; Nov. 16, 2018; <https://www.gizmochina.com/2018/11/16/samsung-galaxy-s10-design-patent/>; 3 pages.  
 U.S. Appl. No. 29/656,258, filed Jul. 11, 2018; Non-Final Office Action dated Jan. 10, 2020; 7 pages.  
 U.S. Appl. No. 29/656,258, filed Jul. 11, 2018; Restriction Requirement dated Oct. 21, 2019; 9 pages.

\* cited by examiner

FIG.1

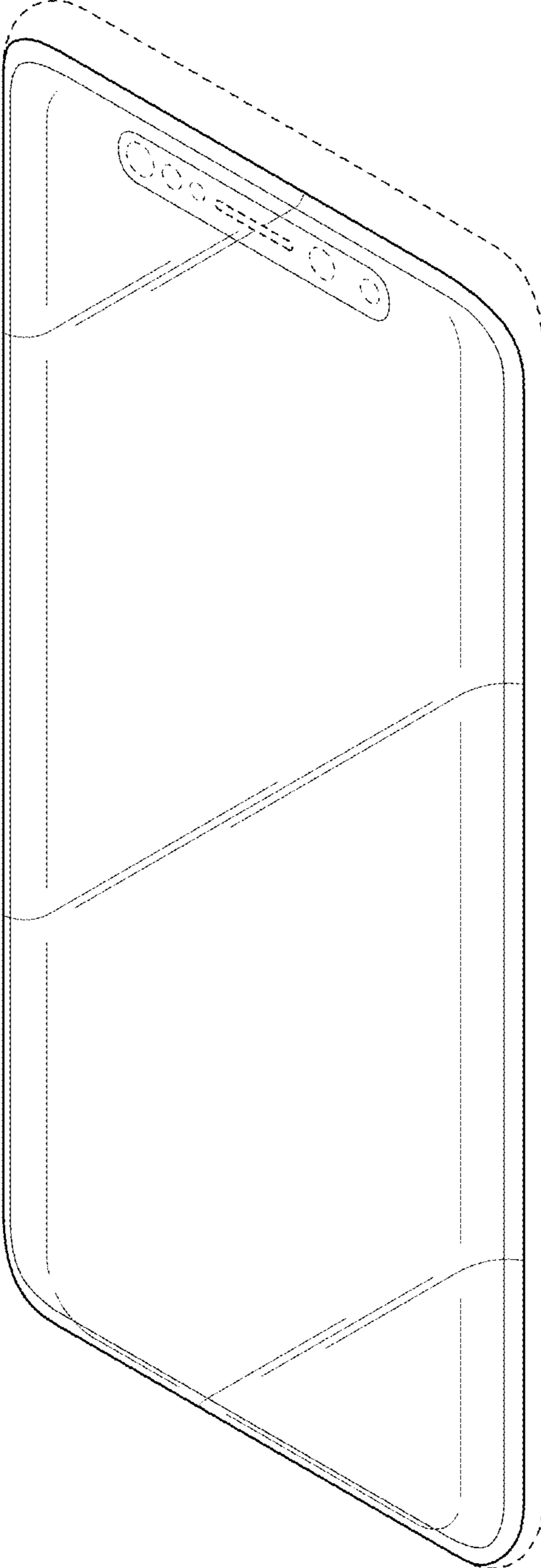


FIG.2

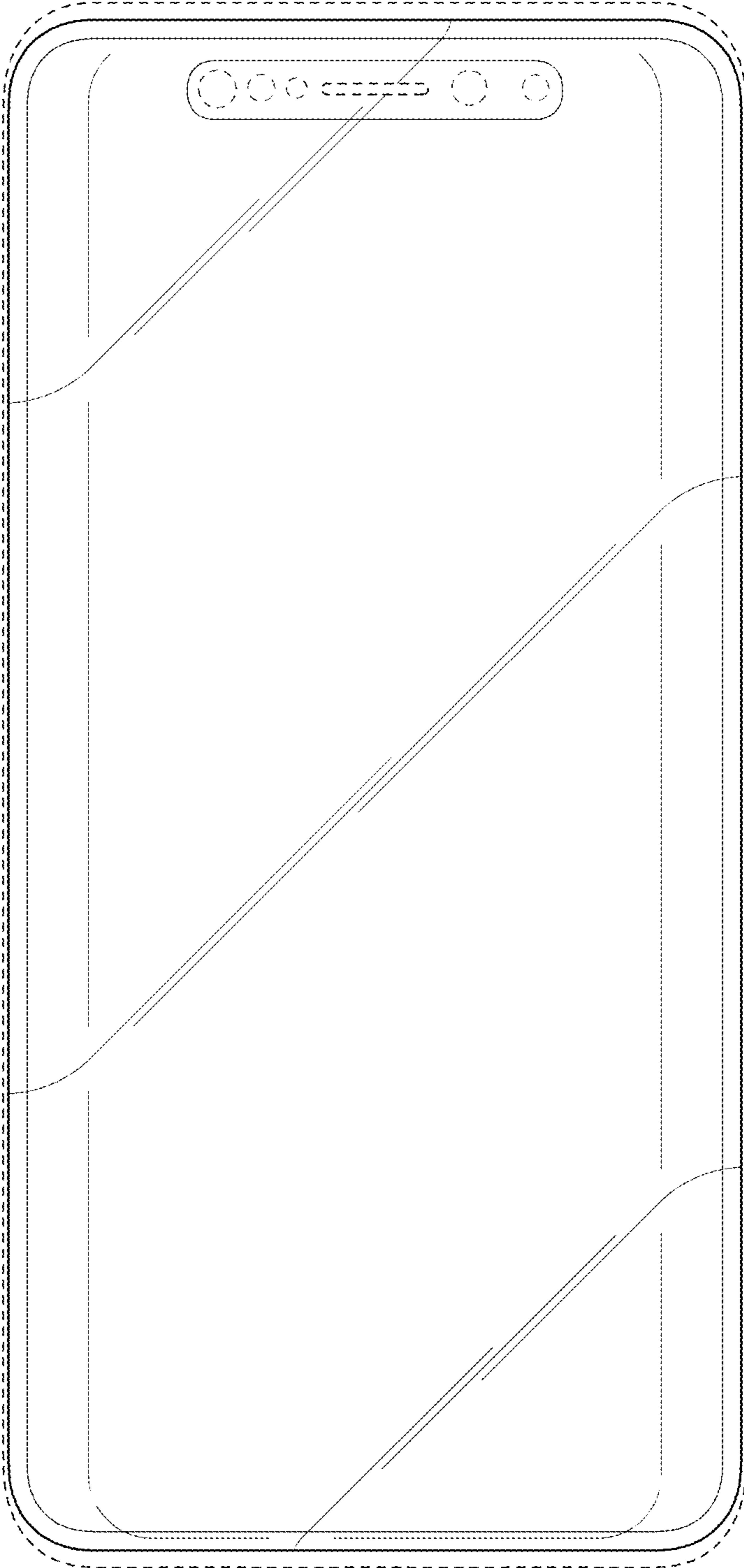


FIG.3

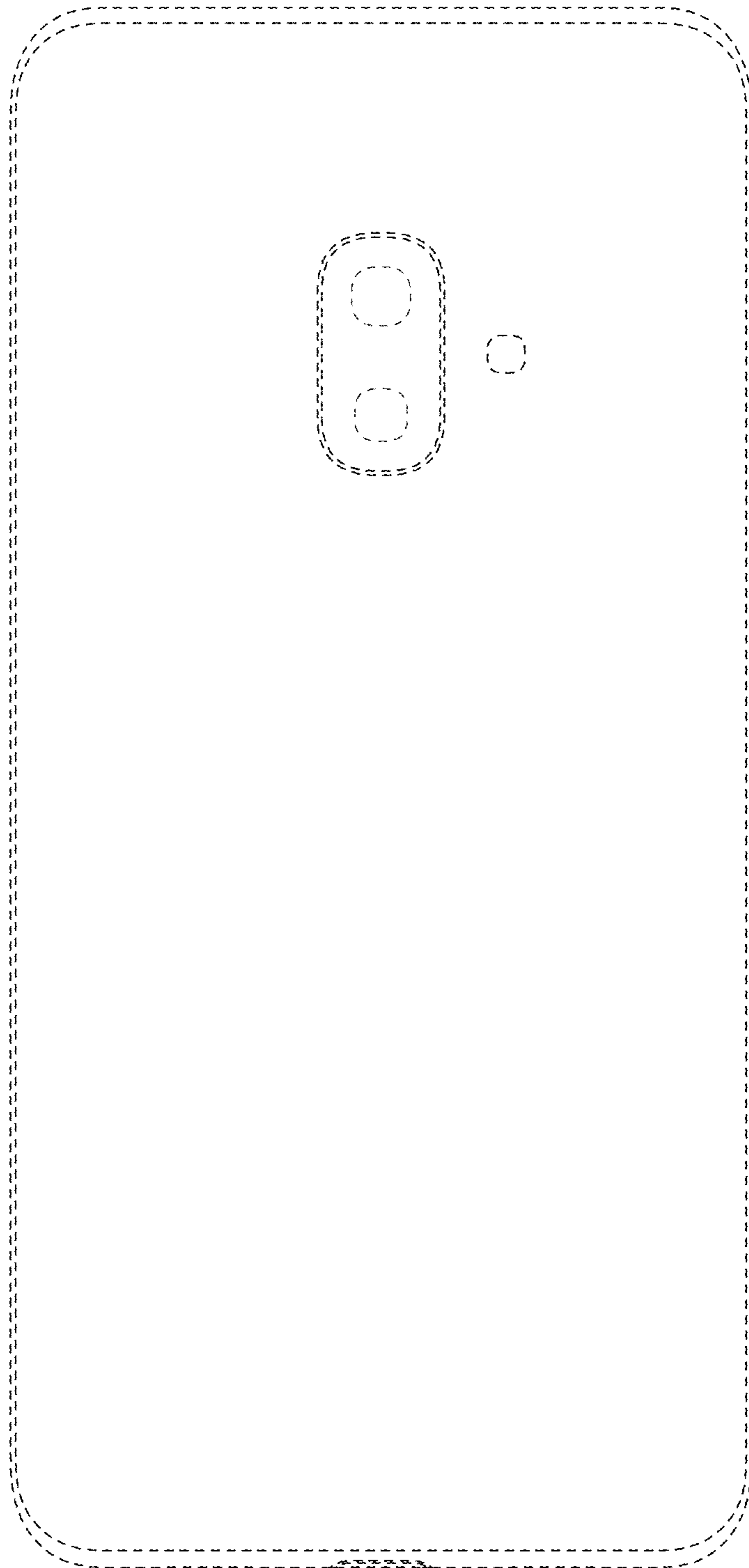


FIG.4

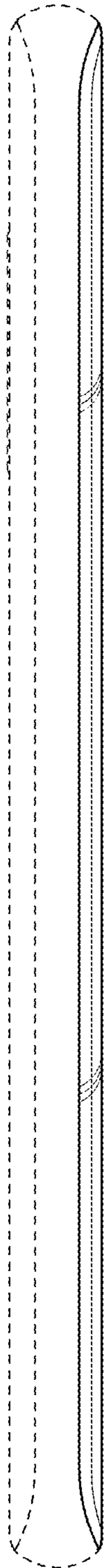


FIG.5

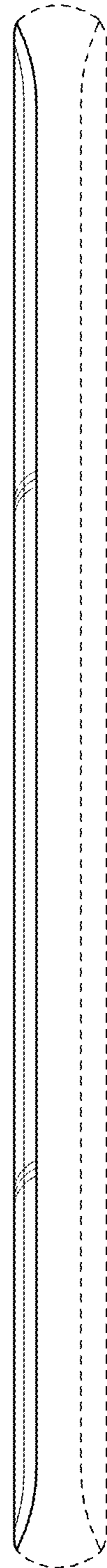


FIG.6

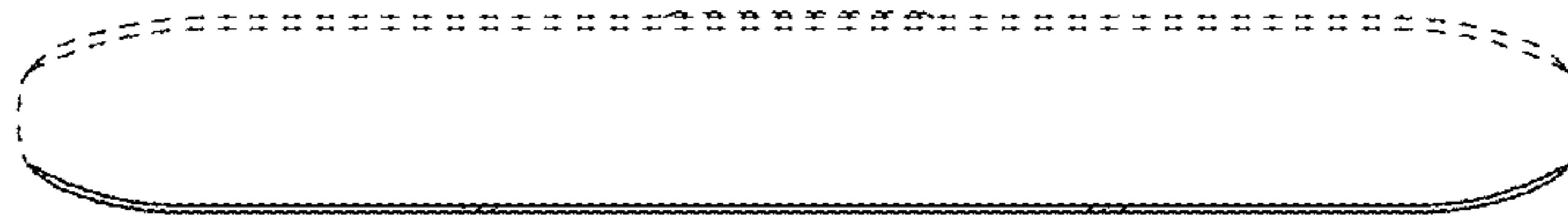


FIG.7

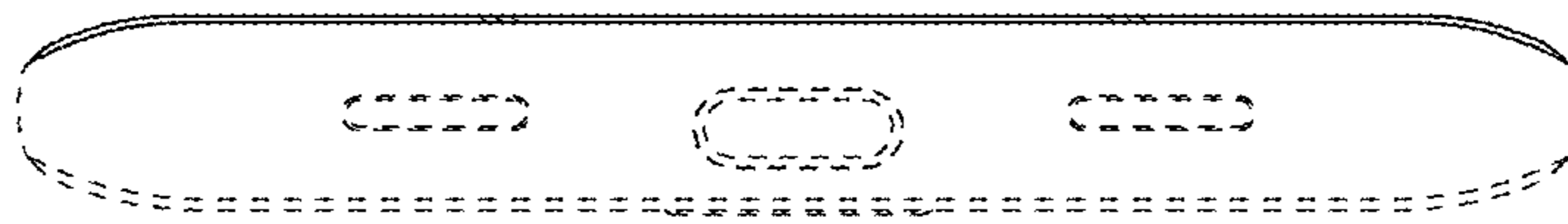


FIG.8

