



US00D905667S

(12) **United States Design Patent**
Zhao

(10) **Patent No.:** **US D905,667 S**

(45) **Date of Patent:** **** Dec. 22, 2020**

(54) **EARPHONES**

(71) Applicant: **SHENZHEN TAIFEITONG TECHNOLOGY CO., LTD.**, Shenzhen (CN)

(72) Inventor: **Lingfei Zhao**, Luzhou (CN)

(73) Assignee: **SHENZHEN TAIFEITONG TECHNOLOGY CO., LTD.**, Shenzhen (CN)

(**) Term: **15 Years**

(21) Appl. No.: **29/746,300**

(22) Filed: **Aug. 13, 2020**

(51) **LOC (12) Cl.** **14-01**

(52) **U.S. Cl.**
USPC **D14/223**

(58) **Field of Classification Search**
USPC D14/223, 205, 188, 192; D24/174; 128/864, 865, 866; 381/380, 381, 375, 381/328; 455/90.3, 575.1, 569.1, 575.2
CPC H04R 1/10; H04R 25/00; H04R 1/1066; H04R 1/1016; H04R 5/033; H04R 5/0335; H04R 1/105; H04R 1/1091
See application file for complete search history.

(56) **References Cited**

U.S. PATENT DOCUMENTS

- 2,474,135 A * 6/1949 White H04R 25/656 381/381
- D179,150 S * 11/1956 Norris D14/192
- 2,910,679 A * 10/1959 Baldwin G08B 21/06 340/575
- 2,971,065 A * 2/1961 Busse H04R 25/652 381/321
- 3,234,467 A * 2/1966 Haveson H04B 1/088 455/157.1
- 3,906,478 A * 9/1975 Smey B60K 28/06 340/575

- 4,457,396 A * 7/1984 James H04R 1/345 181/129
- 4,539,708 A * 9/1985 Norris H04B 1/088 455/100
- 4,550,227 A * 10/1985 Topholm H04R 25/60 381/324
- 4,585,089 A * 4/1986 Topholm H04R 25/65 181/135
- D321,881 S * 11/1991 Hopewell D14/192
- 5,655,026 A * 8/1997 Peters H04R 1/1066 381/370
- D470,129 S * 2/2003 Hlas D14/205
- D481,709 S * 11/2003 Solderits D14/223

(Continued)

FOREIGN PATENT DOCUMENTS

- CN 305560117 * 1/2020
- CN 305965119 * 8/2020

Primary Examiner — Paula Allen Greene

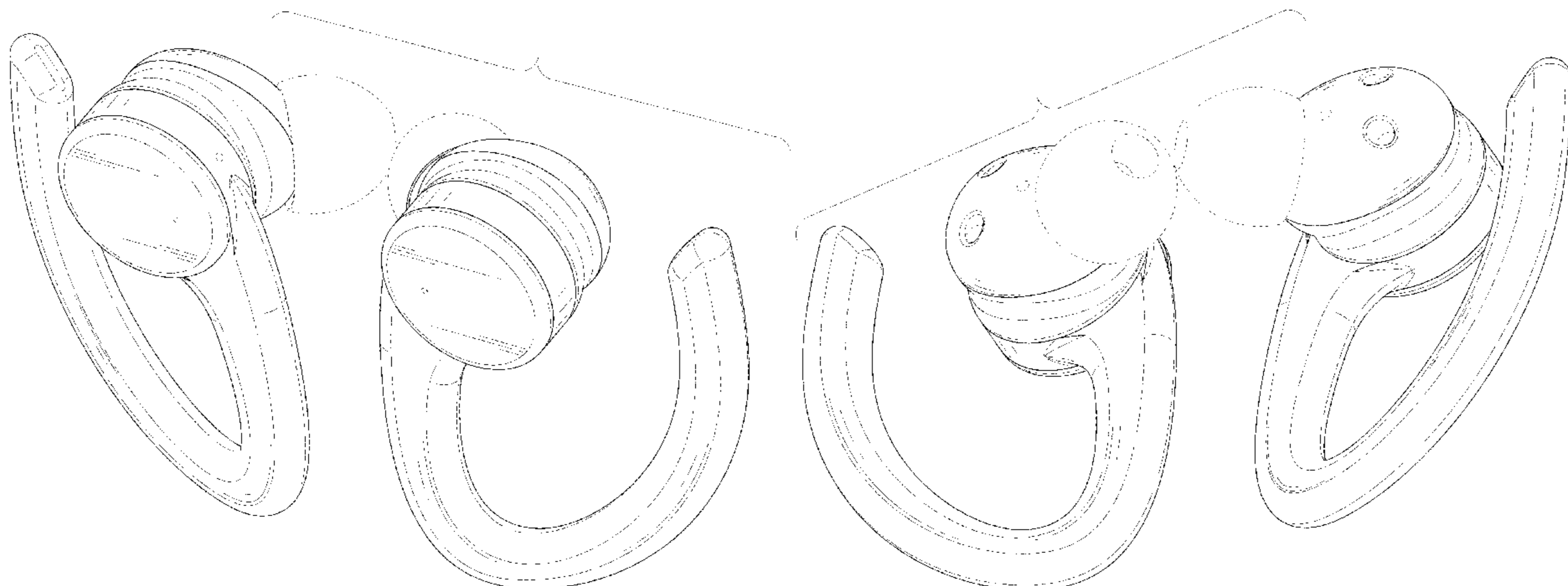
(57) **CLAIM**

The ornamental design for earphones, as shown and described.

DESCRIPTION

FIG. 1 is a perspective view of earphones showing my new design;
 FIG. 2 is another perspective view thereof;
 FIG. 3 is a front elevational view thereof;
 FIG. 4 is a rear elevational view thereof;
 FIG. 5 is a left side elevational view thereof;
 FIG. 6 is a right side elevational view thereof;
 FIG. 7 is a top plan view thereof;
 FIG. 8 is a bottom plan view thereof; and,
 FIG. 9 is a perspective view of the earphones where the earphones are received in a case.
 The broken lines in the drawings depict portions of the earphones that form no part of the claimed design.

1 Claim, 9 Drawing Sheets



(56)

References Cited

U.S. PATENT DOCUMENTS

6,728,388 B1 * 4/2004 Nageno H04R 1/105
 381/330
 D501,196 S * 1/2005 Dyer D14/205
 D505,411 S * 5/2005 Sakai D14/192
 D506,462 S * 6/2005 Han D14/205
 D508,911 S * 8/2005 Sanders D14/223
 D510,085 S * 9/2005 Suzuki D14/223
 D542,282 S * 5/2007 Yoshiyama D14/223
 D543,968 S * 6/2007 Wong D14/205
 7,346,180 B2 * 3/2008 Ham H04R 1/105
 381/370
 D575,772 S * 8/2008 Schultz D14/206
 D584,283 S * 1/2009 Soetejo D14/205
 D588,111 S * 3/2009 Komiyama D14/223
 D593,075 S * 5/2009 Williams D14/223
 D603,847 S * 11/2009 Chung D14/223
 D617,780 S * 6/2010 Jaakkola D14/223
 D639,787 S * 6/2011 Quek D14/223
 D642,163 S * 7/2011 Lee D14/223
 D652,817 S * 1/2012 Lee D14/205
 D654,056 S * 2/2012 Hoggarth D14/223
 D666,580 S * 9/2012 Lee D14/223
 D666,581 S * 9/2012 Perez D14/223
 8,265,328 B2 * 9/2012 Milde H04R 1/1066
 381/381
 8,391,536 B2 * 3/2013 Hashimoto H04R 1/1016
 381/380
 D699,226 S * 2/2014 Yoon D14/223
 D710,333 S * 8/2014 Davies H04R 1/10
 D14/223
 D711,356 S * 8/2014 Yang D14/223
 D713,385 S * 9/2014 Burgett D14/223
 D744,456 S * 12/2015 Pedersen D14/223

D753,626 S * 4/2016 Tran D14/205
 D755,159 S * 5/2016 Birger D14/206
 D761,770 S * 7/2016 Kanou D14/223
 D773,437 S * 12/2016 Lee D14/223
 D773,438 S * 12/2016 Walker D14/223
 D777,710 S * 1/2017 Palmborg D14/223
 D793,360 S * 8/2017 Birger D14/206
 D809,486 S * 2/2018 Arimoto D14/223
 D809,487 S * 2/2018 Lee D14/223
 D813,205 S * 3/2018 Palmborg D14/223
 9,949,014 B2 * 4/2018 Cramer H04R 1/1008
 D816,637 S * 5/2018 Hardi D14/205
 D819,594 S * 6/2018 Hosoda D14/205
 D822,646 S * 7/2018 Dang D14/223
 D828,826 S * 9/2018 Schaal D14/223
 D852,784 S * 7/2019 Cramer H04R 1/1008
 D14/223
 D853,992 S * 7/2019 Kuh D14/223
 D853,993 S * 7/2019 Kuh D14/223
 D863,265 S * 10/2019 Hu D14/223
 D871,375 S * 12/2019 Meyer D14/223
 D872,051 S 1/2020 Murdock et al.
 D879,744 S 3/2020 Hu
 D882,545 S * 4/2020 Li D14/205
 D890,726 S * 7/2020 Park D14/223
 D894,874 S * 9/2020 Fustino D14/223
 D896,204 S * 9/2020 Brunner D14/223
 D899,399 S * 10/2020 Jung D14/205
 2007/0098201 A1 * 5/2007 Chen H04R 1/1016
 381/380
 2008/0152183 A1 6/2008 Janik
 2009/0285434 A1 * 11/2009 Williams H04R 1/1091
 381/375
 2018/0295437 A1 * 10/2018 Chen H04R 1/105
 2020/0280788 A1 * 9/2020 Maguire H04R 1/1041

* cited by examiner

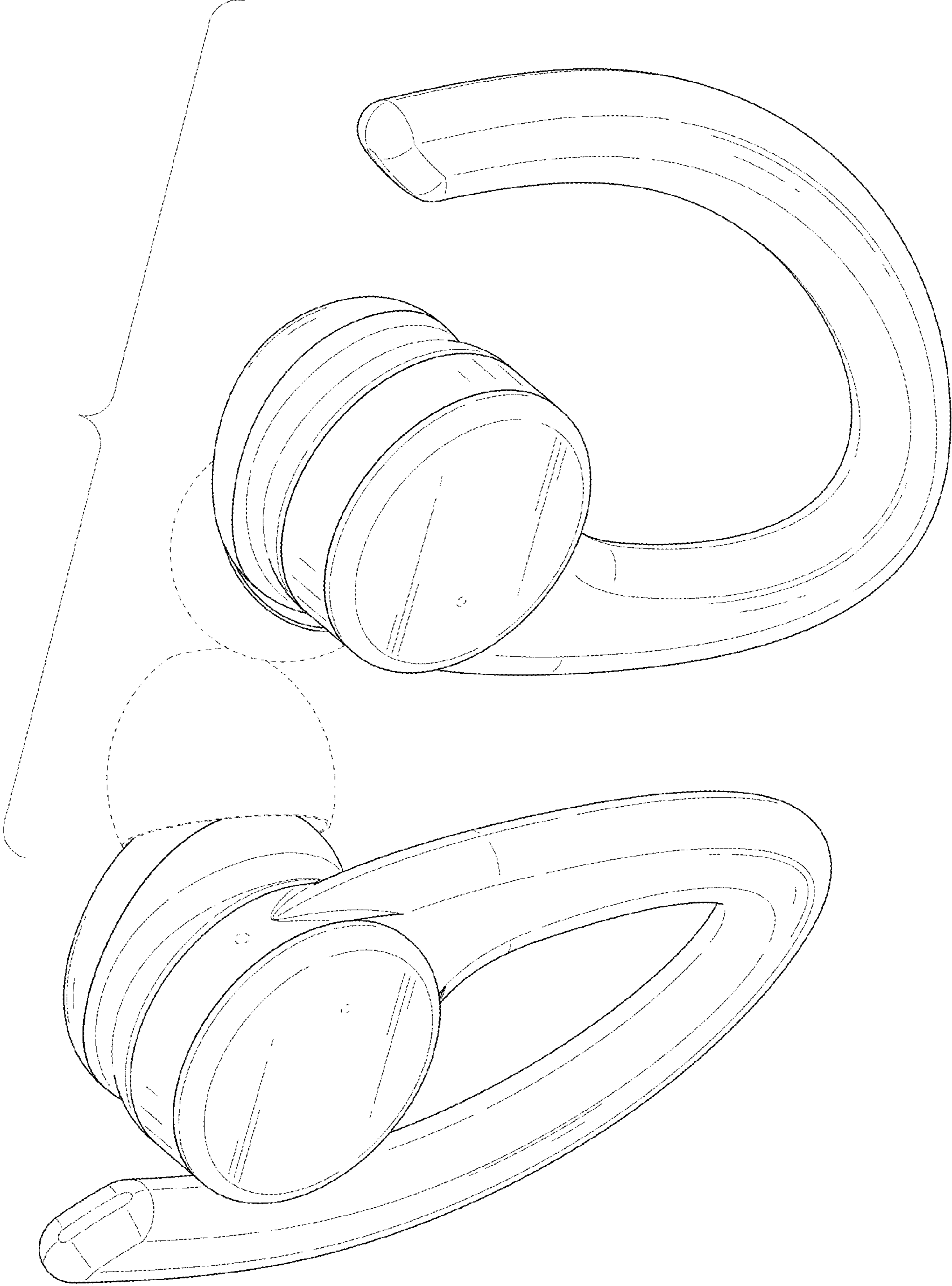


FIG. 1

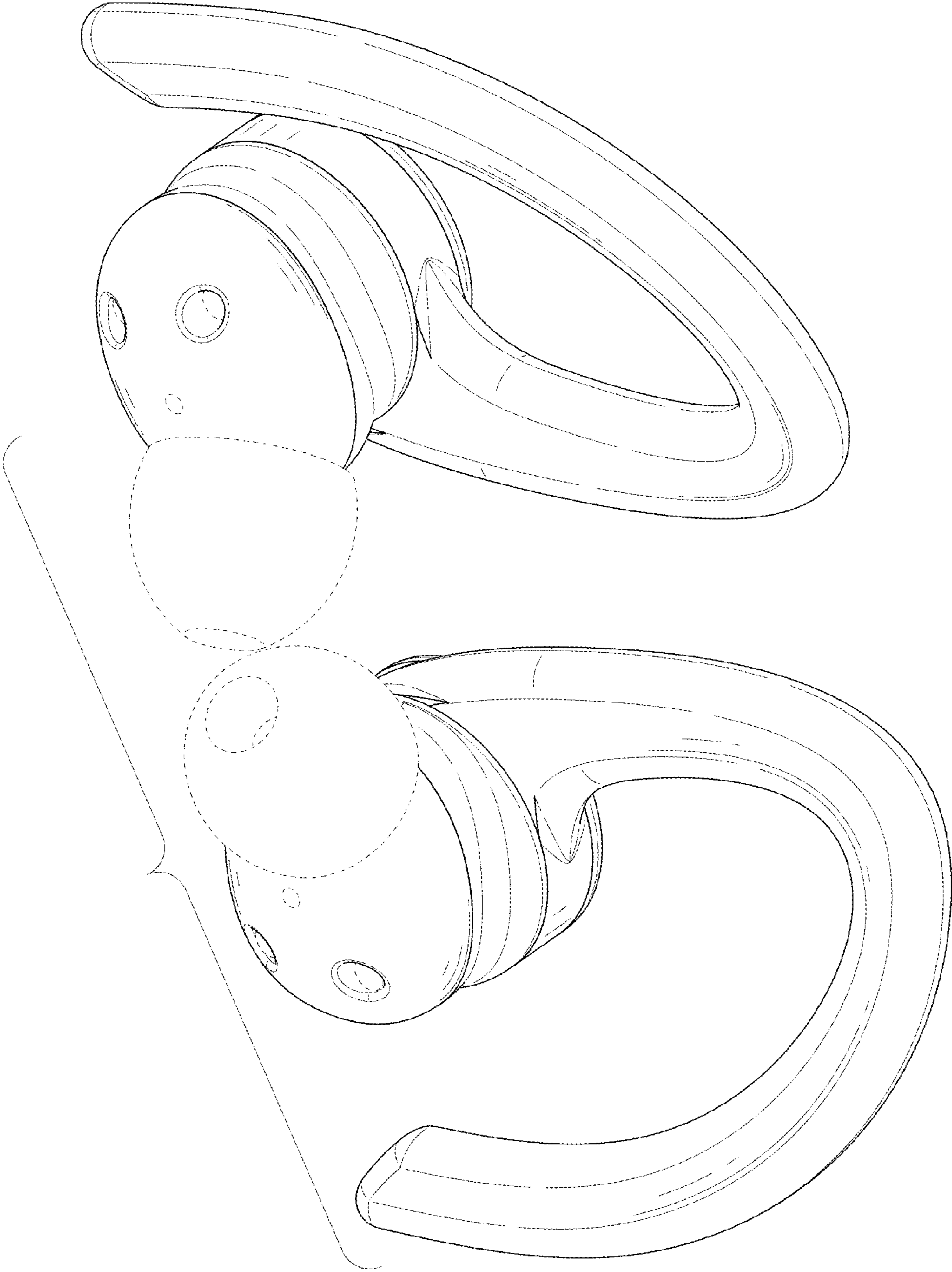


FIG. 2

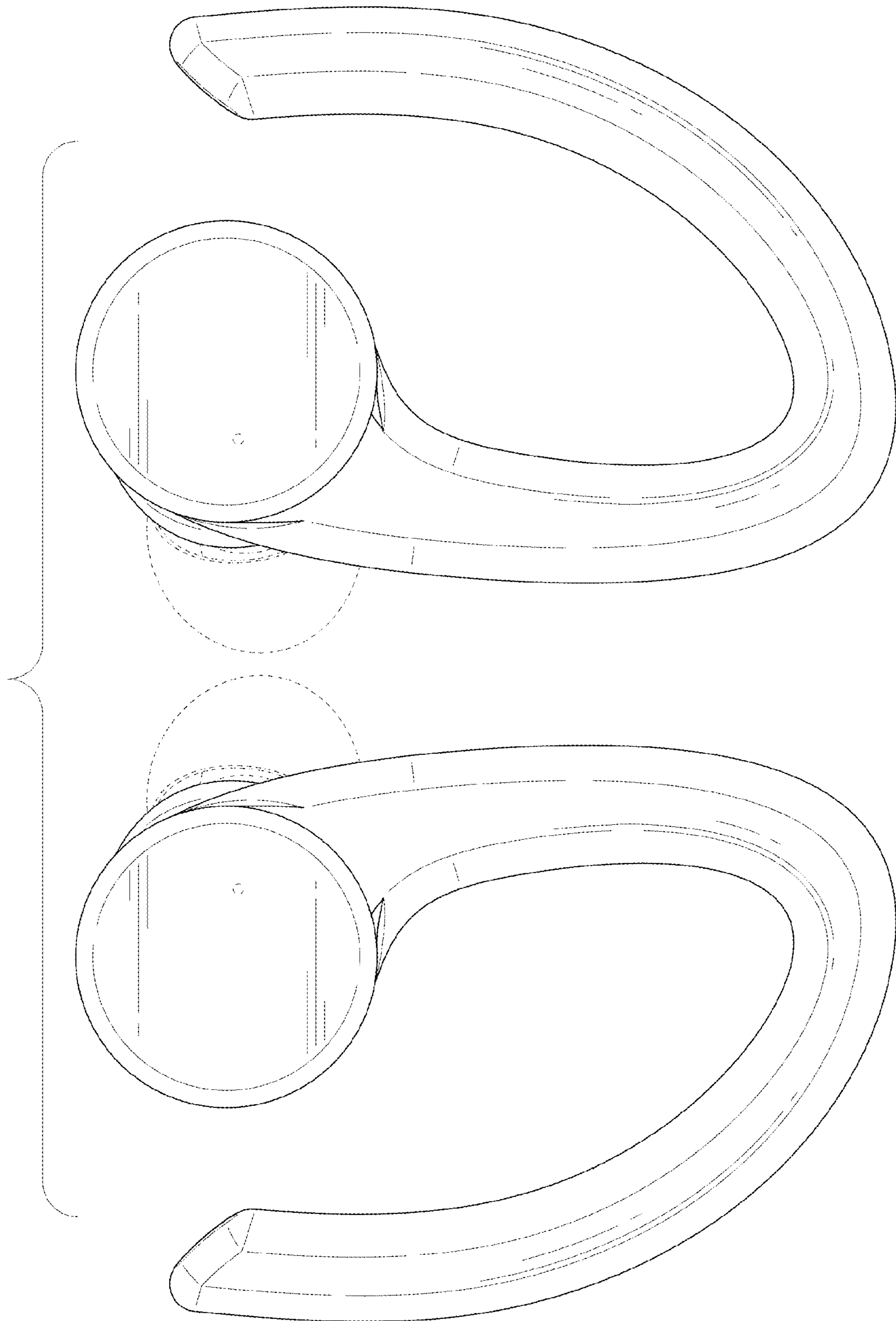


FIG. 3

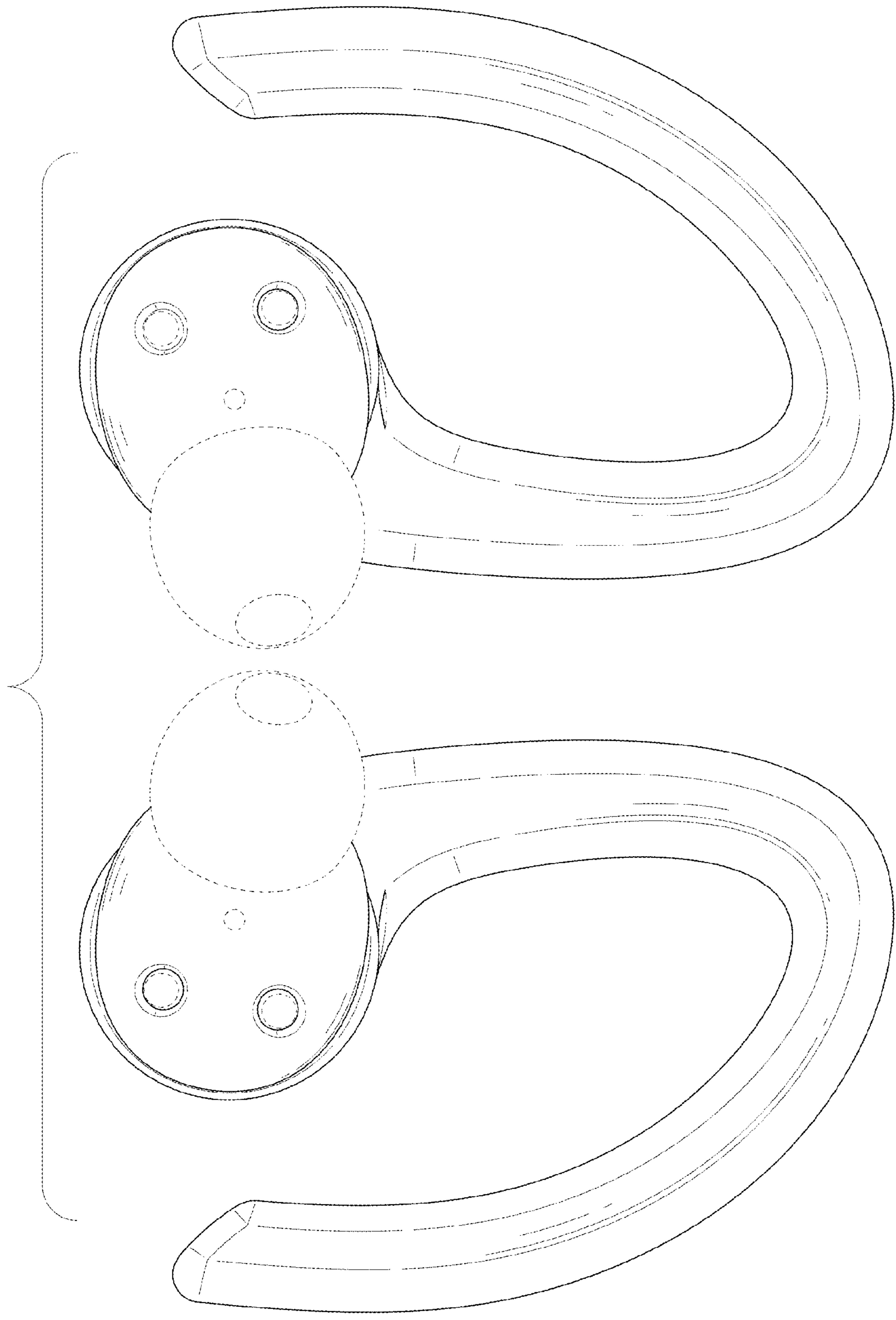


FIG. 4

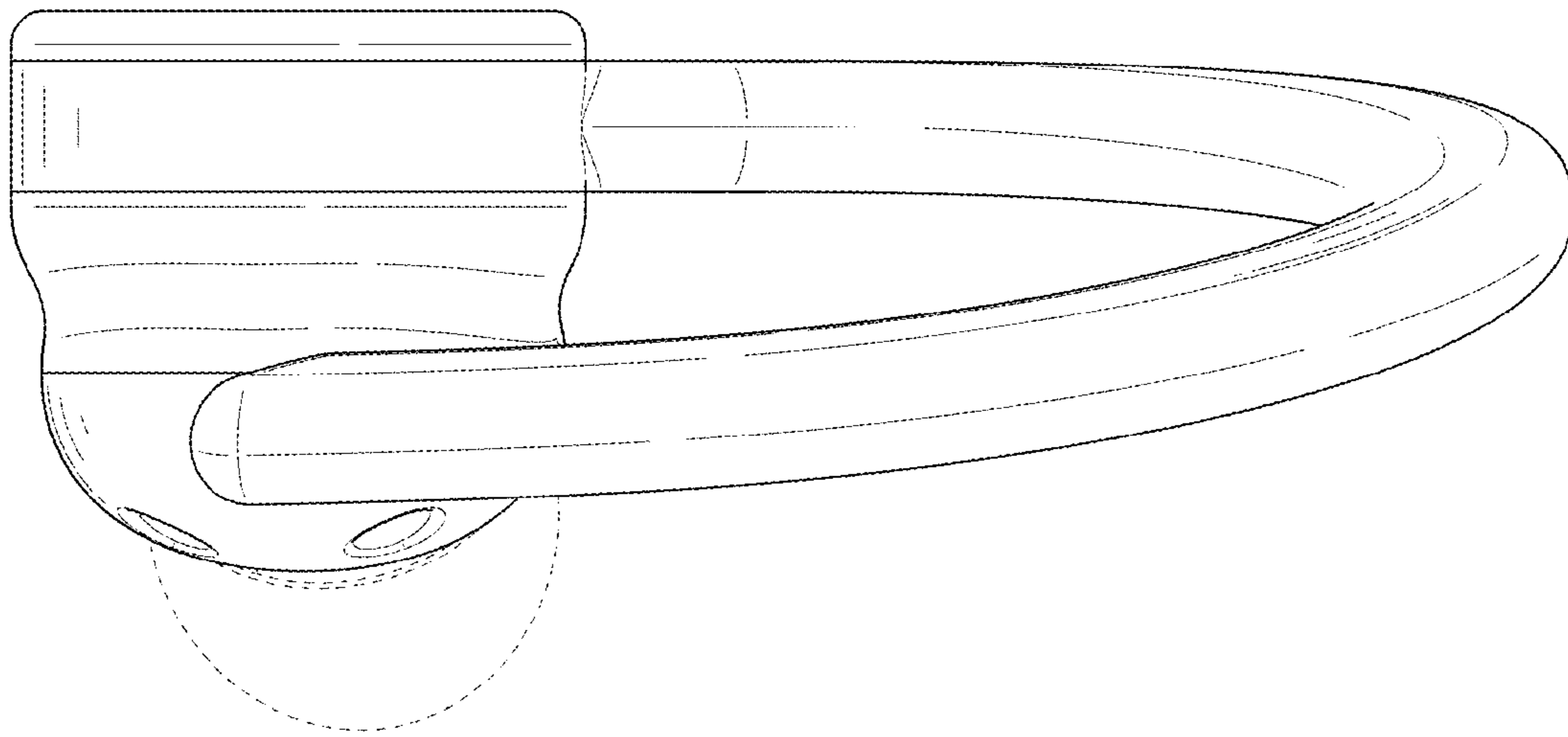


FIG. 5

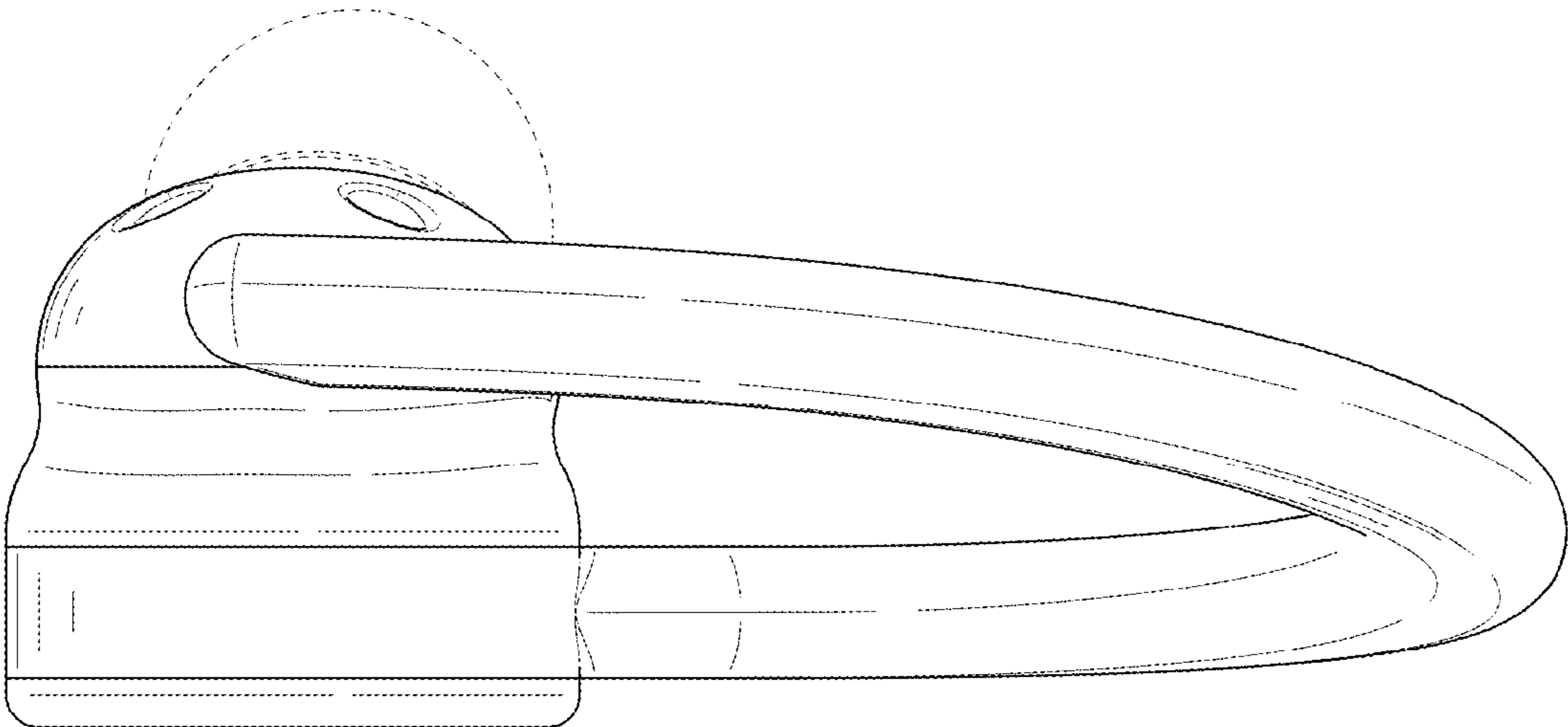


FIG. 6

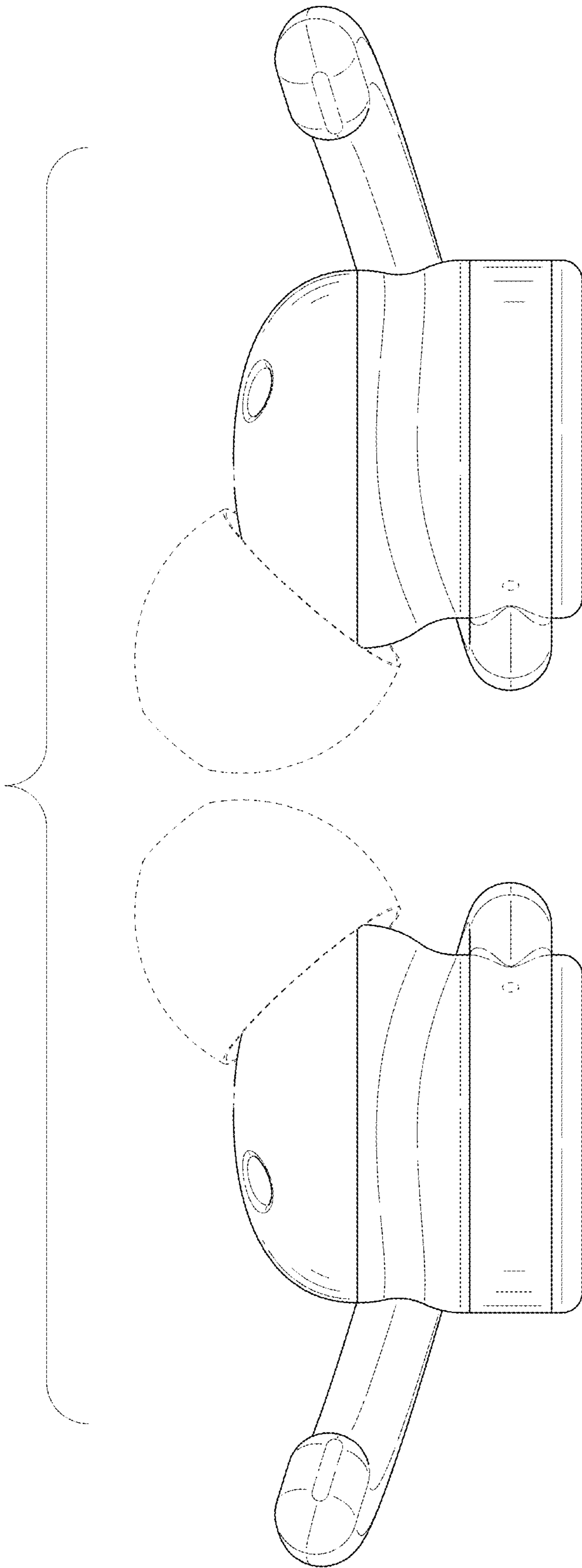


FIG. 7

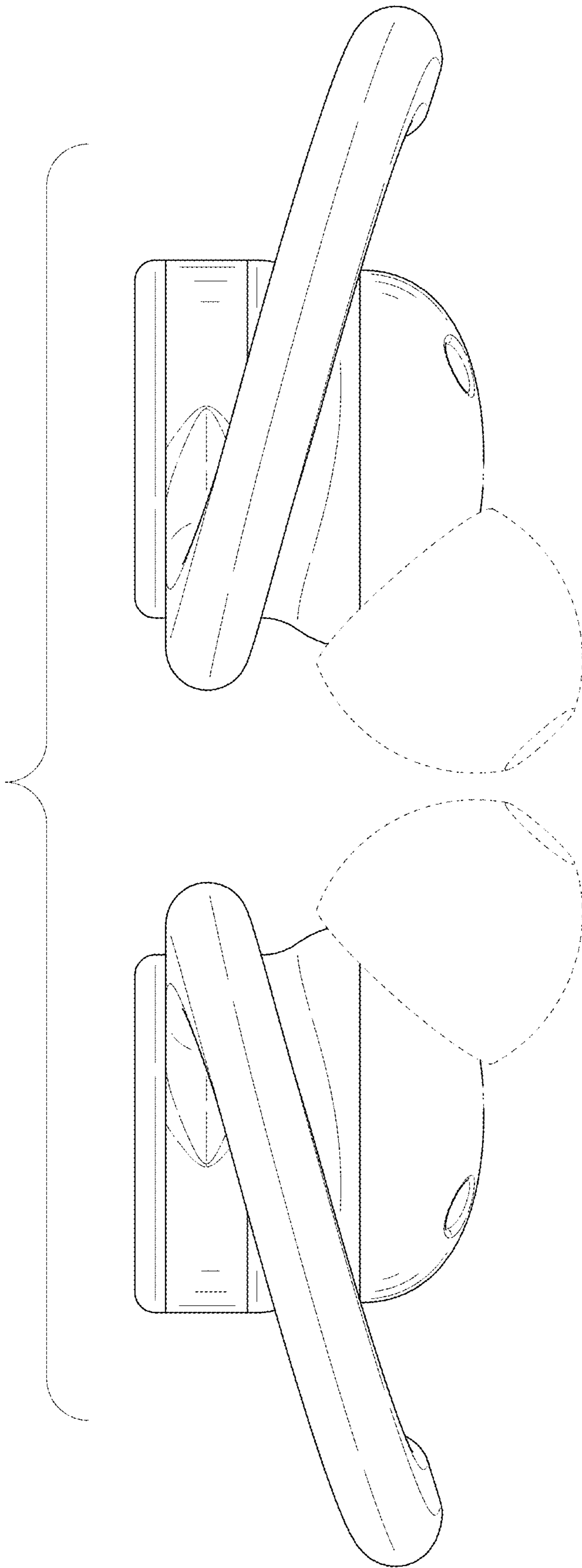


FIG. 8

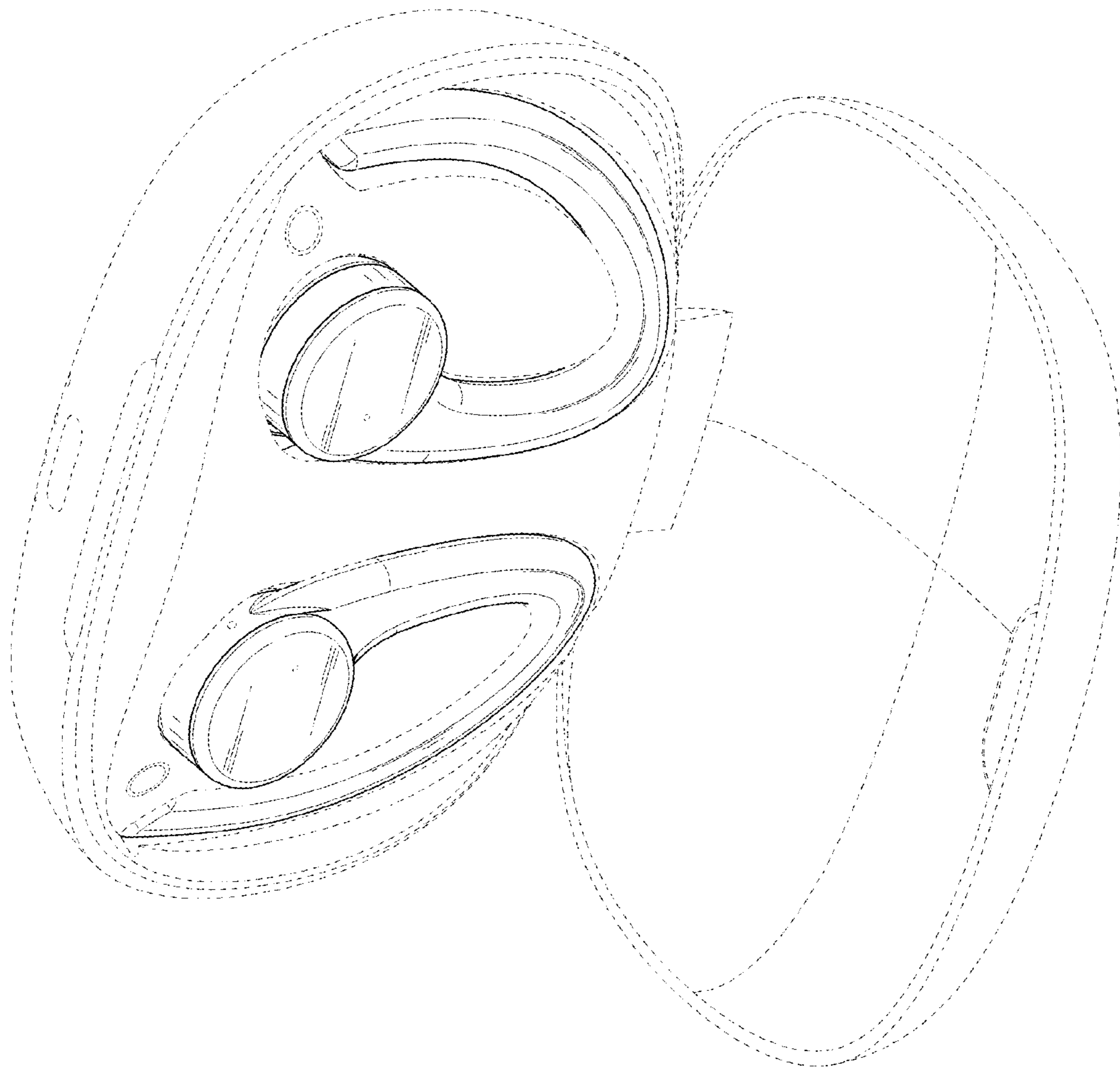


FIG. 9