



US00D905666S

(12) **United States Design Patent**
Yun

(10) **Patent No.:** **US D905,666 S**

(45) **Date of Patent:** **** Dec. 22, 2020**

- (54) **EARHOOK FOR EARPIECES**
- (71) Applicant: **SPIGEN KOREA CO., LTD.**, Seoul (KR)
- (72) Inventor: **Sun Woo Yun**, Seoul (KR)
- (73) Assignee: **SPIGEN KOREA CO., LTD.**, Seoul (KR)
- (**) Term: **15 Years**
- (21) Appl. No.: **29/715,629**
- (22) Filed: **Dec. 3, 2019**

- D469,755 S 2/2003 Hlas et al.
- D470,122 S 2/2003 Hlas et al.
- D470,123 S 2/2003 Hlas et al.
- D470,128 S 2/2003 Hlas et al.
- (Continued)

OTHER PUBLICATIONS

“Earhoox EarPods for iPhone Models—Black”, <https://www.amazon.com/dp/B00L1GWZWI>, Earliest review date of Jun. 23, 2014, downloaded May 12, 2017.

(Continued)

Primary Examiner — Paula Allen Greene

(74) *Attorney, Agent, or Firm* — Heedong Chae; Lucem, PC

Related U.S. Application Data

- (63) Continuation of application No. 29/603,761, filed on May 12, 2017, now Pat. No. Des. 870,079.
- (51) **LOC (12) Cl.** **14-01**
- (52) **U.S. Cl.**
USPC **D14/223**
- (58) **Field of Classification Search**
USPC D14/223, 205; D24/174; 128/865, 866, 128/867; 379/433.01; 381/162, 182, 381/311, 380, 370, 327; 181/135; 455/90.3, 575.1, 569.1
CPC H04R 1/1058; H04R 25/00; H04R 1/1091; H04R 25/02; H04R 1/1016; H04R 1/105; H04R 1/10; H04R 5/02; H04R 1/1083; A61B 7/02
See application file for complete search history.

(57) **CLAIM**

The ornamental design for an earhook for earpieces, as shown and described.

DESCRIPTION

FIG. 1 is a front elevational view of an earhook for earpieces;
 FIG. 2 is a rear elevational view thereof;
 FIG. 3 is a left side elevational view thereof;
 FIG. 4 is a right side elevational view thereof;
 FIG. 5 is a top plan view thereof;
 FIG. 6 is a bottom plan view thereof;
 FIG. 7 is a front perspective view of the earhook assembled to an earpiece;
 FIG. 8 is a front perspective view of the earhook separated from the earpiece;
 FIG. 9 is a rear perspective view of the earhook to the earpiece; and,
 FIG. 10 is a rear perspective view of the earhook separated from the earpiece.

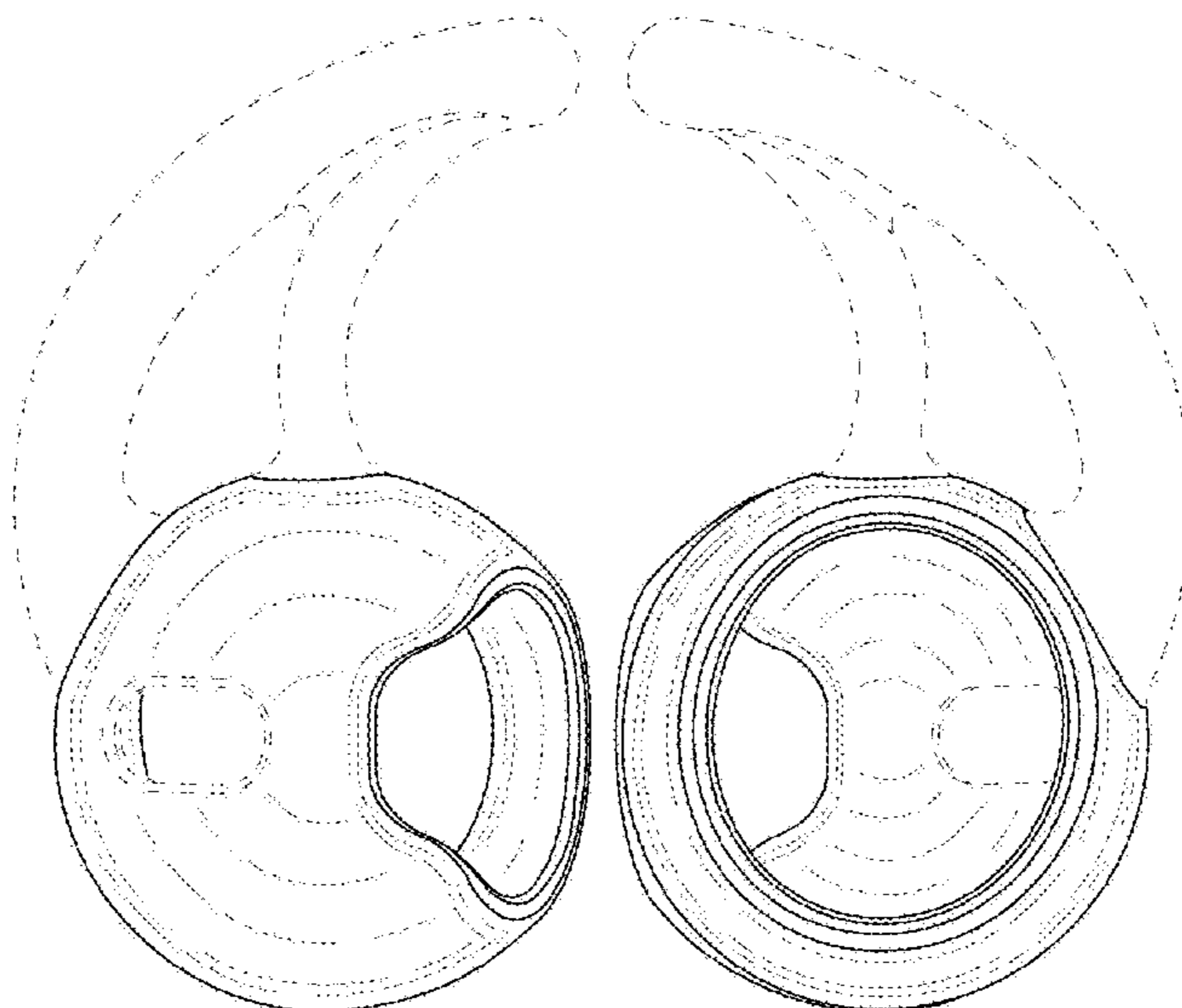
In the drawing, the claimed design is defined by the shaded surfaces; the broken lines depict environment that forms no part of the claimed design.

(56) **References Cited**

U.S. PATENT DOCUMENTS

- | | | |
|-------------|---------|-------------------|
| 1,614,987 A | 1/1927 | Langenbeck et al. |
| D141,071 S | 5/1945 | Hechler |
| 2,787,670 A | 4/1957 | Rowland |
| 4,349,083 A | 9/1982 | Bennett |
| D388,093 S | 12/1997 | Frengley |
| D449,295 S | 10/2001 | Smith et al. |

1 Claim, 10 Drawing Sheets



(56)

References Cited

U.S. PATENT DOCUMENTS

D529,901 S 10/2006 Ohta
 D532,110 S 11/2006 Bailey et al.
 D557,689 S 12/2007 Huang
 D574,367 S 8/2008 Jaakkola et al.
 D585,429 S 1/2009 Dean
 D585,881 S 2/2009 Nam et al.
 D601,134 S 9/2009 Elabidi et al.
 D604,273 S 11/2009 Tamura et al.
 D618,219 S 6/2010 Burgett et al.
 D622,265 S * 8/2010 Rye D14/223
 D622,704 S 8/2010 Fahrendorff et al.
 D622,705 S * 8/2010 Fahrendorff D14/223
 D628,990 S 12/2010 Pedersen
 7,949,127 B2 5/2011 Pedersen et al.
 D640,670 S 6/2011 Rye
 7,965,855 B1 6/2011 Ham
 D641,737 S 7/2011 Krauss et al.
 D644,212 S 8/2011 Quek
 D644,213 S 8/2011 Quek
 D645,458 S 9/2011 Silvestri et al.
 D652,823 S 1/2012 Chen
 D655,693 S 3/2012 Silvestri et al.
 D664,124 S 7/2012 Smith et al.
 8,311,253 B2 11/2012 Silvestri et al.
 D672,043 S 12/2012 Larsen
 D672,044 S 12/2012 Larsen
 D699,215 S 2/2014 Koch et al.
 8,737,669 B2 5/2014 Monahan et al.
 D707,206 S 6/2014 Akana et al.
 D716,770 S * 11/2014 Bonahoom D14/223
 8,897,480 B2 11/2014 Tan et al.
 D728,532 S 5/2015 Kurtz et al.
 D732,008 S 6/2015 Akana et al.
 D742,362 S * 11/2015 Bonahoom D14/205
 D744,456 S 12/2015 Pedersen
 D755,158 S 5/2016 Lee et al.

D770,413 S 11/2016 Son
 D770,425 S * 11/2016 Son D14/205
 D770,426 S 11/2016 LaBerge et al.
 D773,440 S 12/2016 Pedersen
 D773,441 S 12/2016 Pedersen
 D774,021 S 12/2016 Pedersen
 D779,461 S 2/2017 Smith et al.
 D780,157 S 2/2017 Uggla
 D828,825 S 9/2018 Samrelius
 D835,077 S 12/2018 Aoyagi et al.
 D843,352 S 3/2019 Lee et al.
 10,362,384 B2 * 7/2019 Yun H04R 1/1058
 D860,172 S * 9/2019 Yun D14/223
 D866,532 S * 11/2019 Zhang D14/223
 D870,079 S * 12/2019 Yun D14/223
 D881,165 S * 4/2020 Lee D14/223
 D881,166 S * 4/2020 Lee D14/223
 D881,849 S * 4/2020 Aoyagi D14/223
 2003/0196850 A1 10/2003 Dyer et al.
 2011/0255729 A1 10/2011 Tan et al.
 2012/0039501 A1 2/2012 Silvestri et al.
 2014/0119589 A1 5/2014 Wyzisk et al.
 2018/0124489 A1 * 5/2018 Aljuwayed H04R 1/1058

OTHER PUBLICATIONS

“Ear Hooks Covers Accessories Tips Compatible with Apple AirPods EarPods Earphones Earbuds Headphones[Anti-Slip,Precise Cutouts] 4 Pairs Clear by Lunies”, <https://www.amazon.com/Accessories-Compatible-Earphones-Headphones-Lunies/dp/B079190734>, Earliest review date of Oct. 9, 2016, downloaded Jun. 25, 2020.

“AhaStyle 3 Pairs AirPods Ear Hooks Silicone Accessories Compatible with Apple AirPods 1 and 2 or EarPods Headphones(Milk White)”, <https://www.amazon.com/AhaStyle-Covers-Compatible-AirPods-EarPods/dp/B071GQ7F6M>, Earliest review date of May 3, 2017, downloaded Jun. 25, 2020.

* cited by examiner

FIG. 1

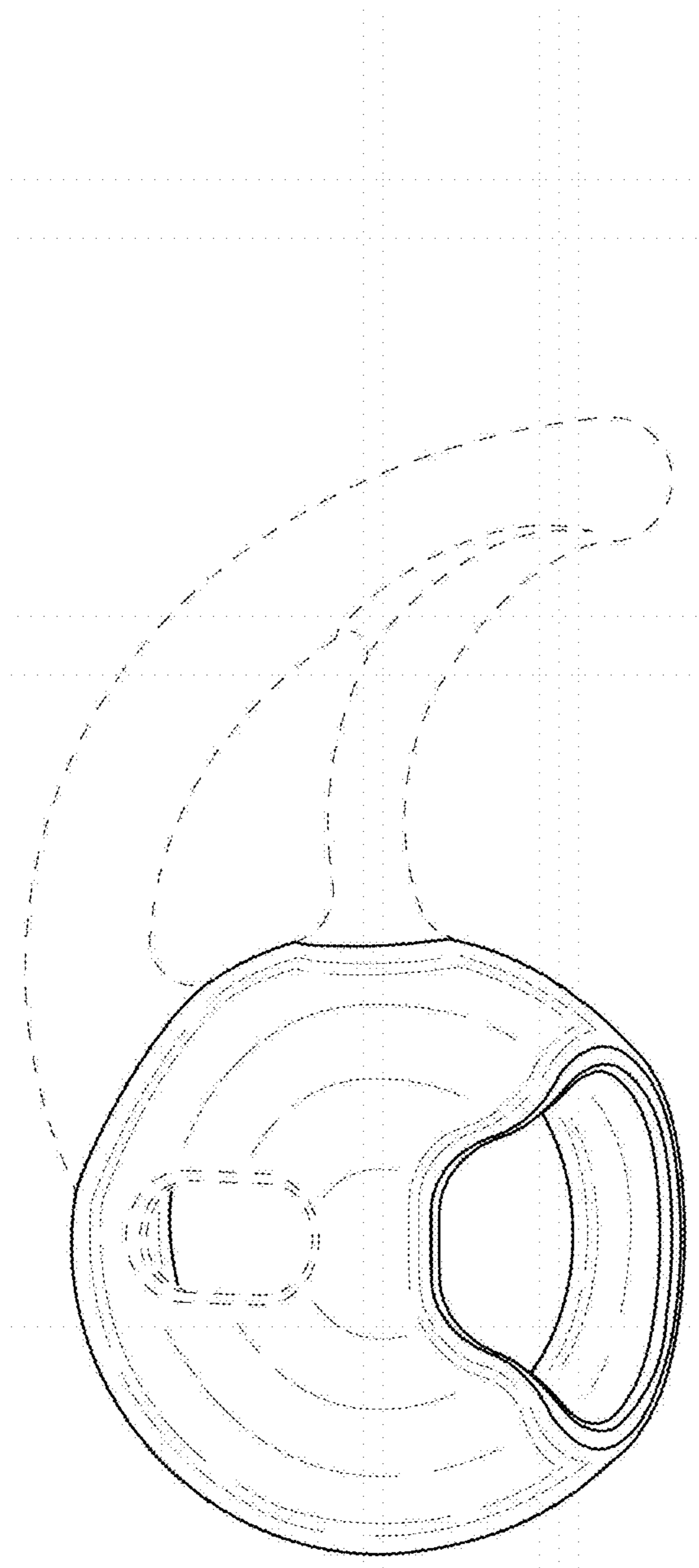


FIG. 2

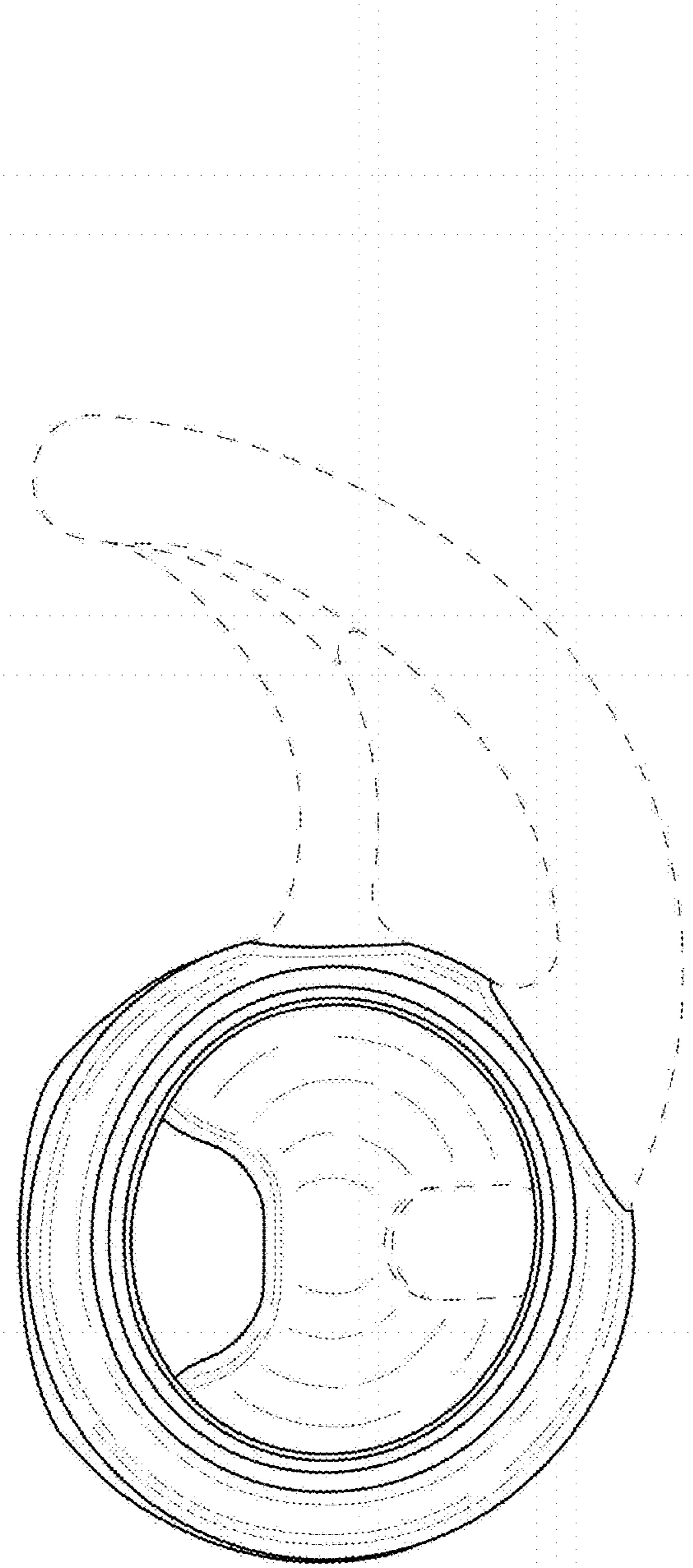


FIG. 3

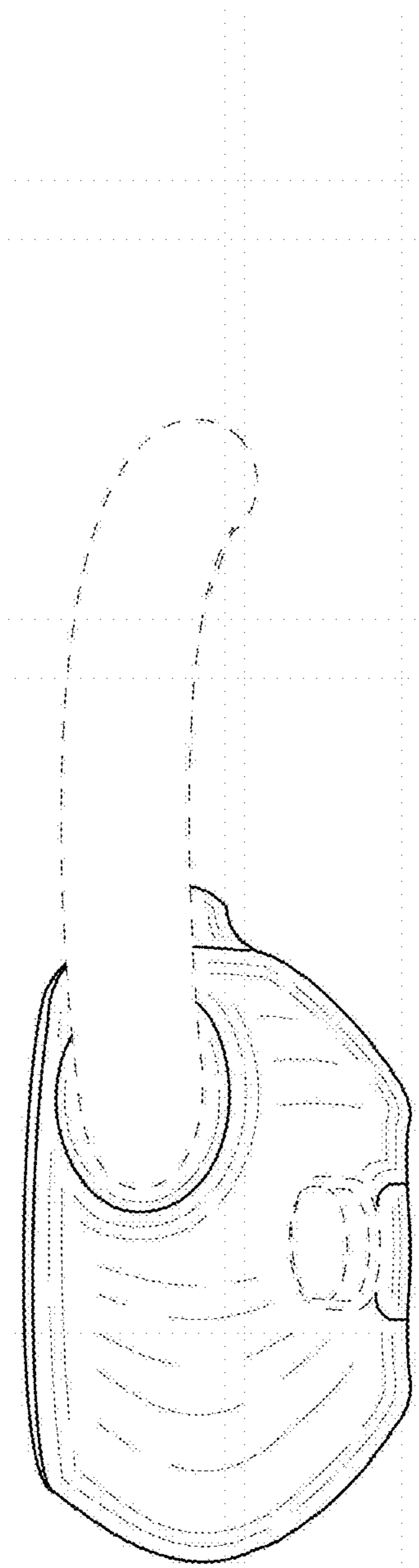


FIG. 4

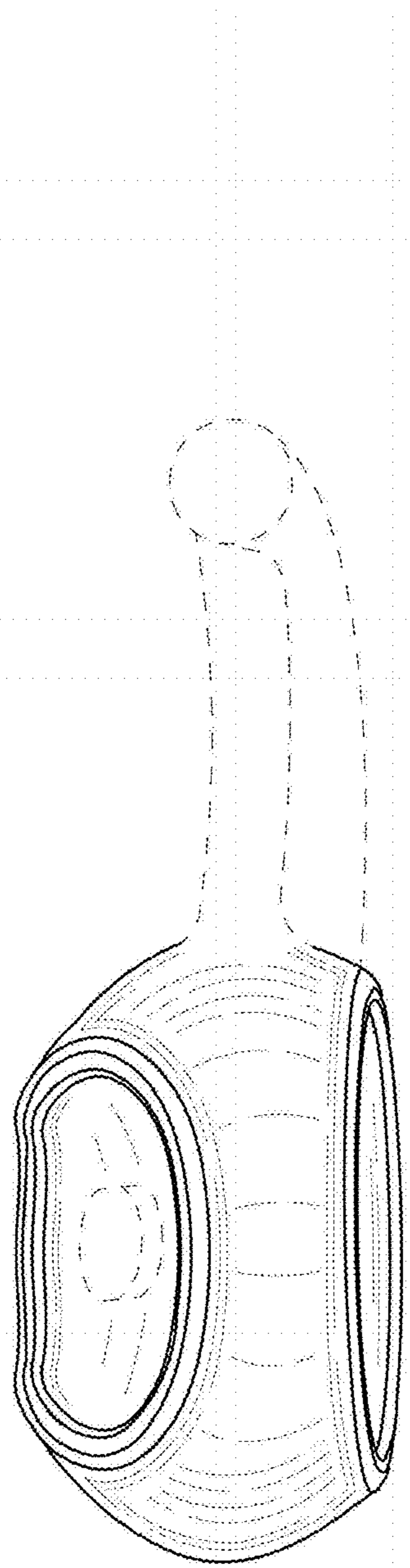


FIG. 5

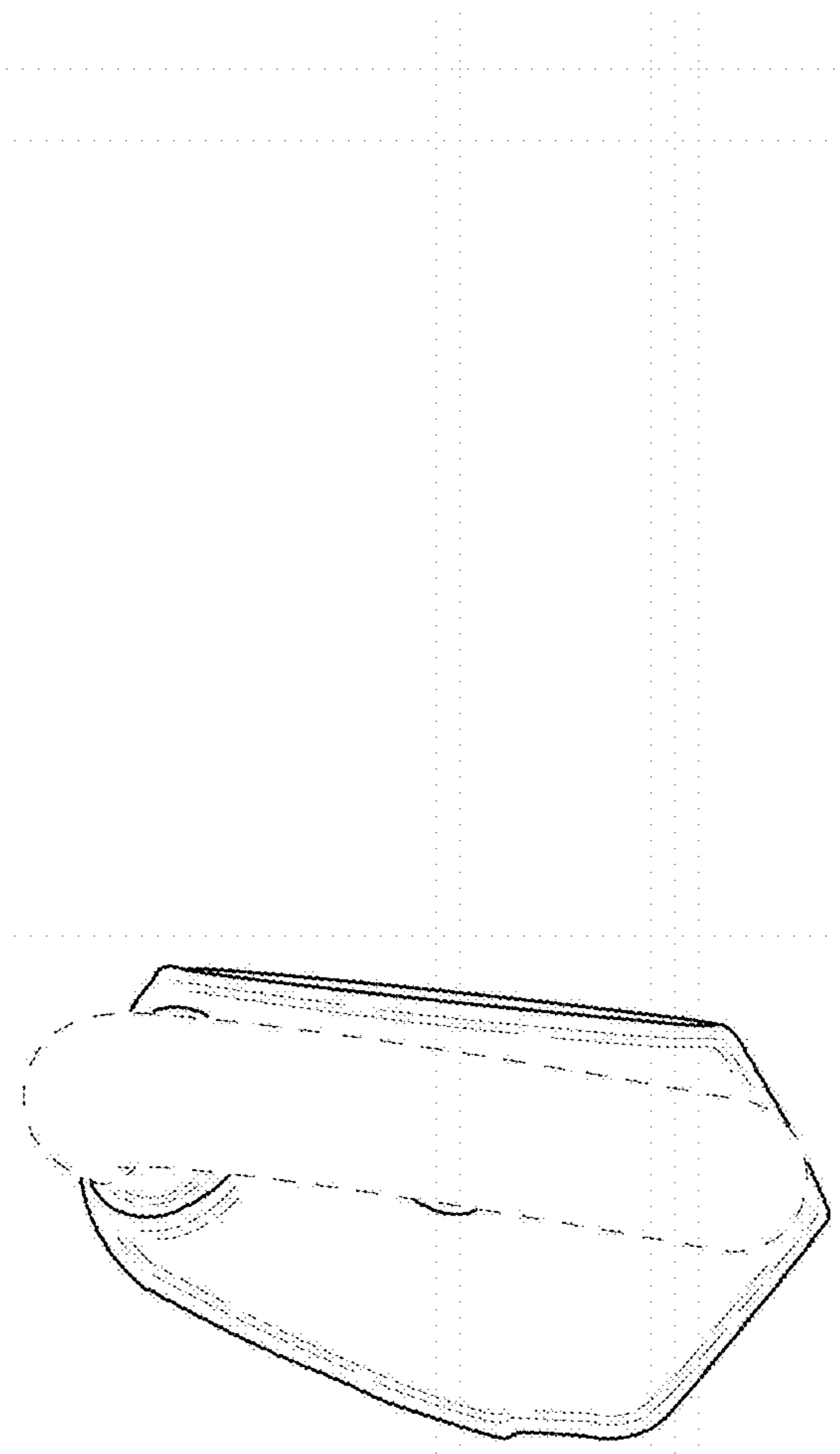


FIG. 6

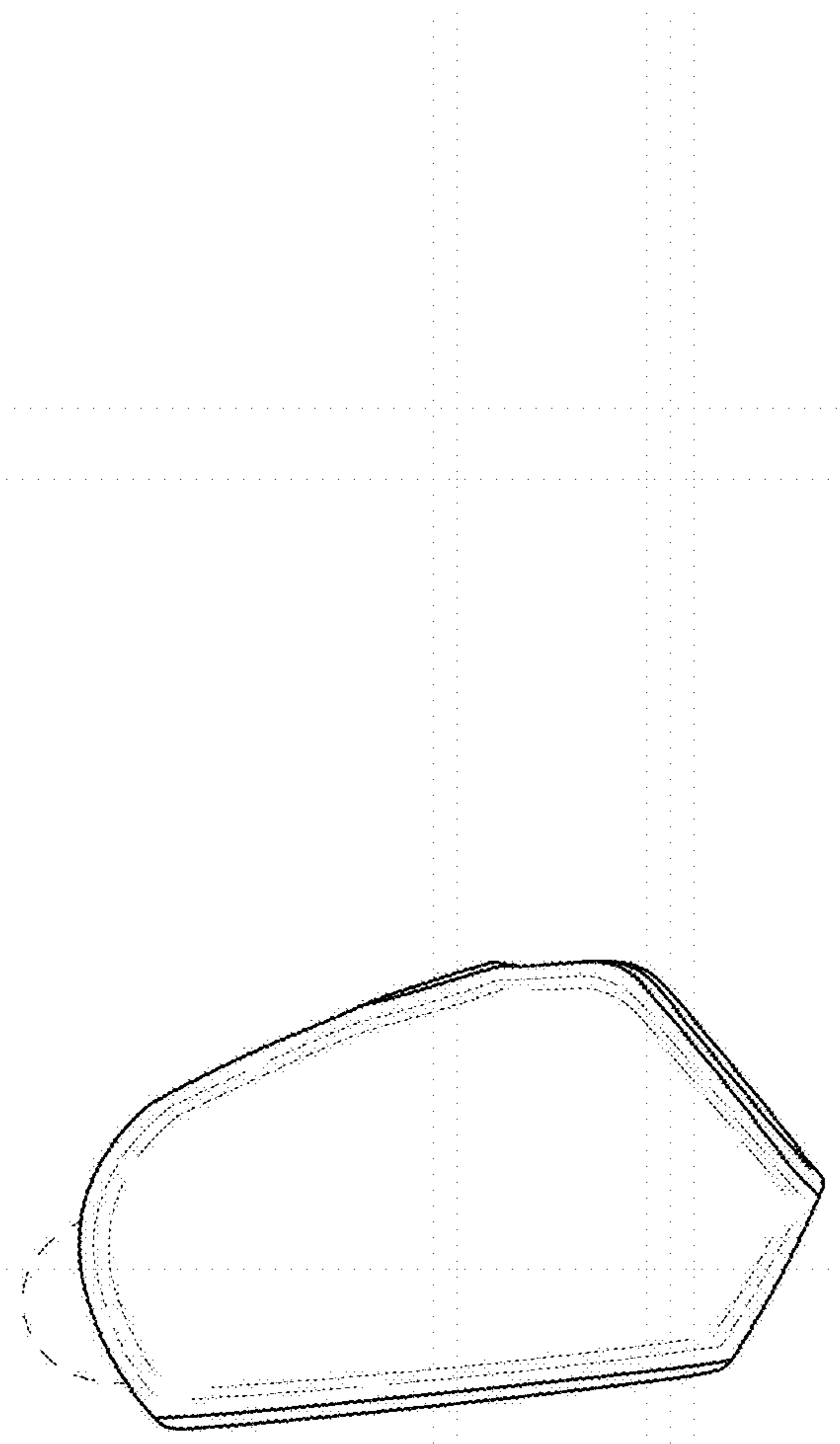


FIG. 7

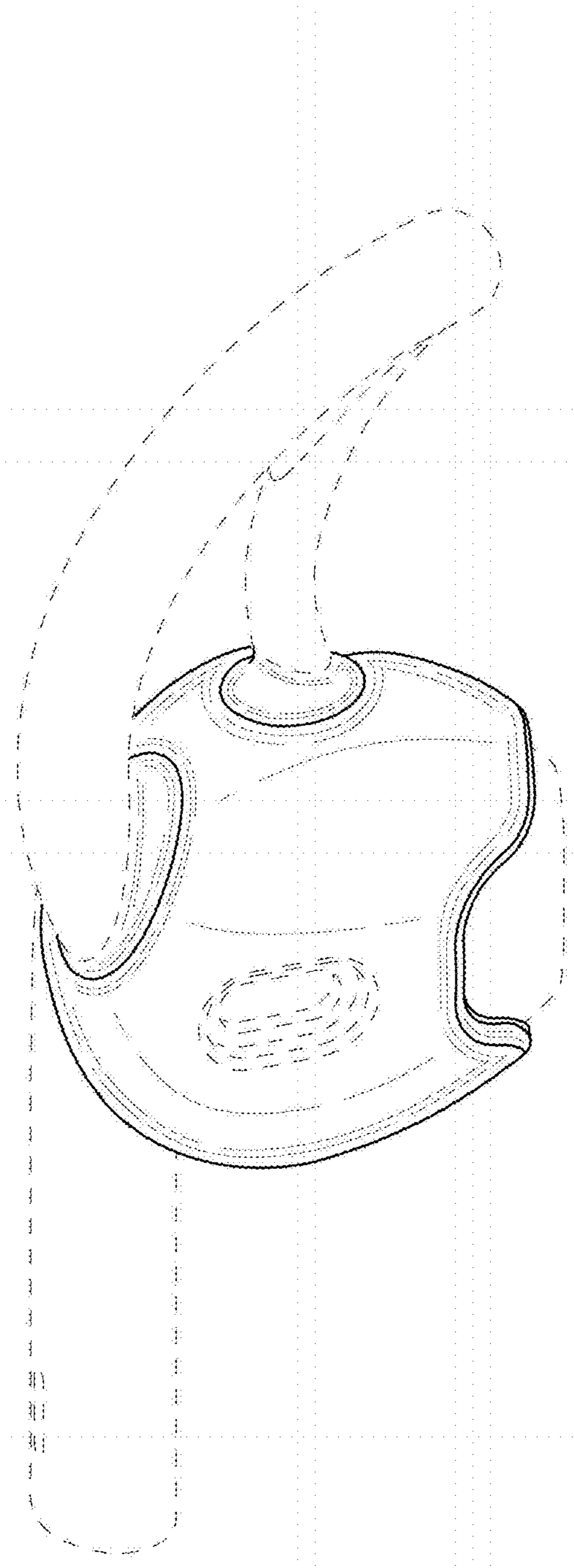


FIG. 8

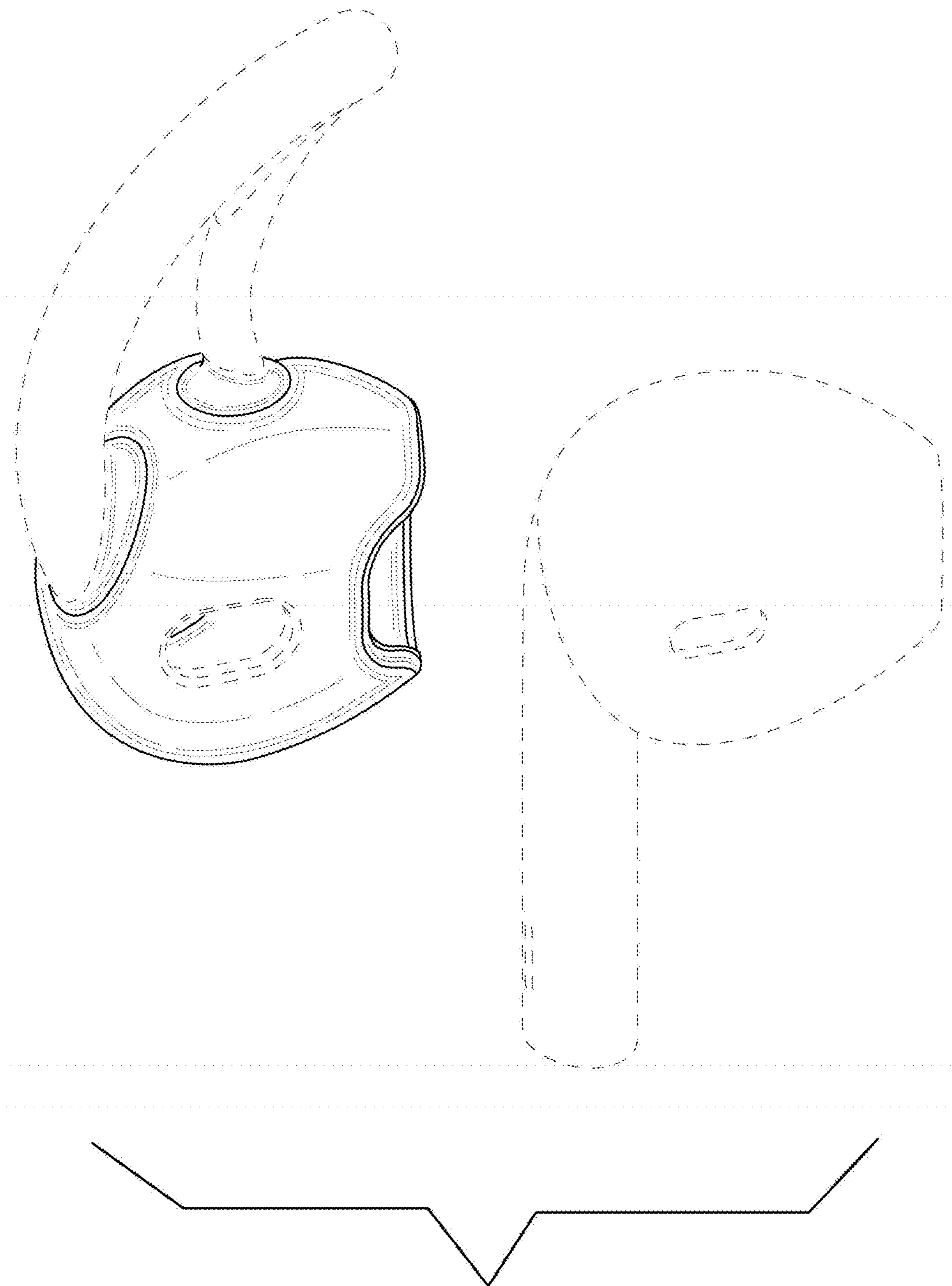


FIG. 9

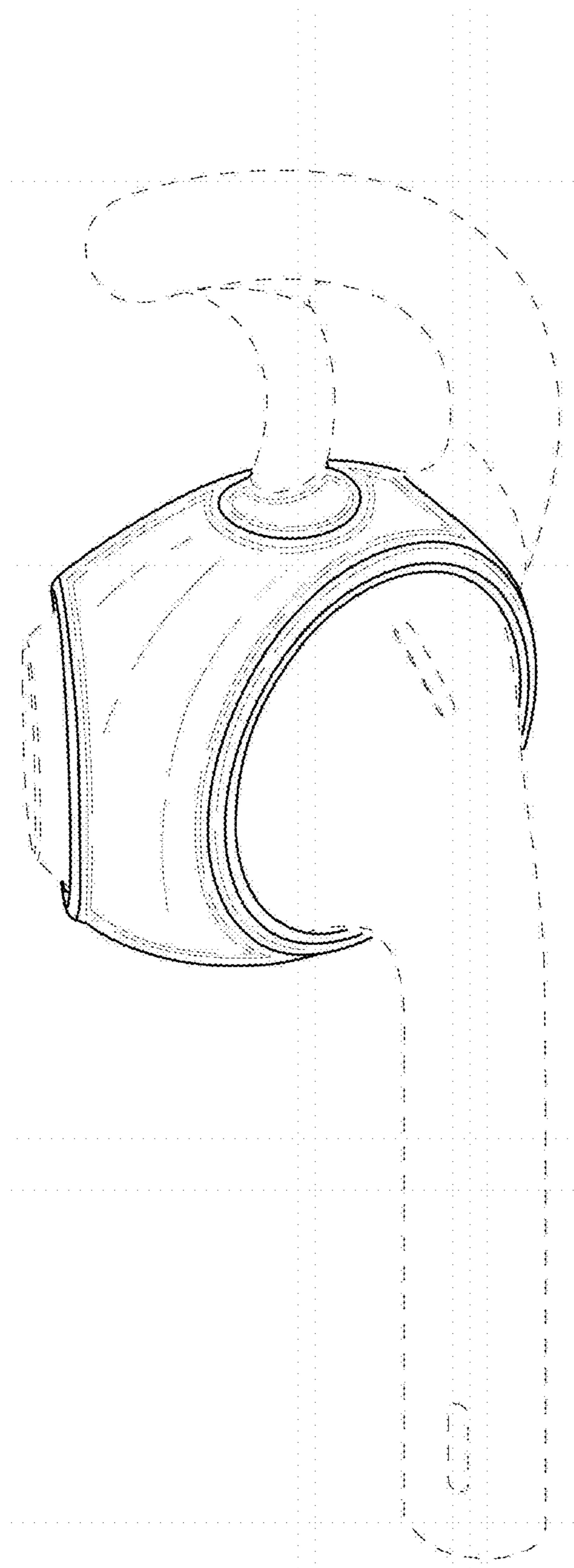


FIG. 10

