

US00D905665S

(12) **United States Design Patent**
Yu

(10) **Patent No.:** **US D905,665 S**

(45) **Date of Patent:** **** Dec. 22, 2020**

(54) **EARPLUG**
(71) Applicant: **Acous Design Co., Ltd.**, New Taipei (TW)
(72) Inventor: **Shih Chang Yu**, Taoyuan (TW)
(73) Assignee: **ACOUS DESIGN CO., LTD.**, New Taipei (TW)
(**) Term: **15 Years**

2,430,229 A * 11/1947 Kelsey H04R 25/656
381/338
2,501,107 A * 3/1950 Volkmann H04R 5/0335
381/378
2,595,489 A * 5/1952 Rutter H04R 17/00
381/190
2,881,759 A * 4/1959 Hocks A61F 11/08
128/868
D208,784 S * 10/1967 Sanzone D24/174
3,440,365 A * 4/1969 Hazell H04M 1/05
379/430
3,470,328 A * 9/1969 Daniels H04R 25/48
381/322

(21) Appl. No.: **29/706,279**

(Continued)

(22) Filed: **Sep. 19, 2019**

Primary Examiner — Paula Allen Greene

Related U.S. Application Data

(74) *Attorney, Agent, or Firm* — WPAT, PC

(63) Continuation of application No. 15/675,822, filed on Aug. 14, 2017, now Pat. No. 10,462,548.

(57) **CLAIM**

(30) **Foreign Application Priority Data**

The ornamental design for an earplug, as shown and described.

May 17, 2017 (TW) 106207146 U

DESCRIPTION

(51) **LOC (12) Cl.** **14-01**

(52) **U.S. Cl.**
USPC **D14/223**

(58) **Field of Classification Search**
USPC D14/223, 205, 192, 228; 181/135;
381/380, 381, 328, 322, 324, 370;
455/90.3, 575.1, 569.1; D24/174, 106;
128/864, 865, 866
CPC H04R 25/00; H04R 1/10; H04R 1/1016;
H04R 1/1058; H04R 1/1083
See application file for complete search history.

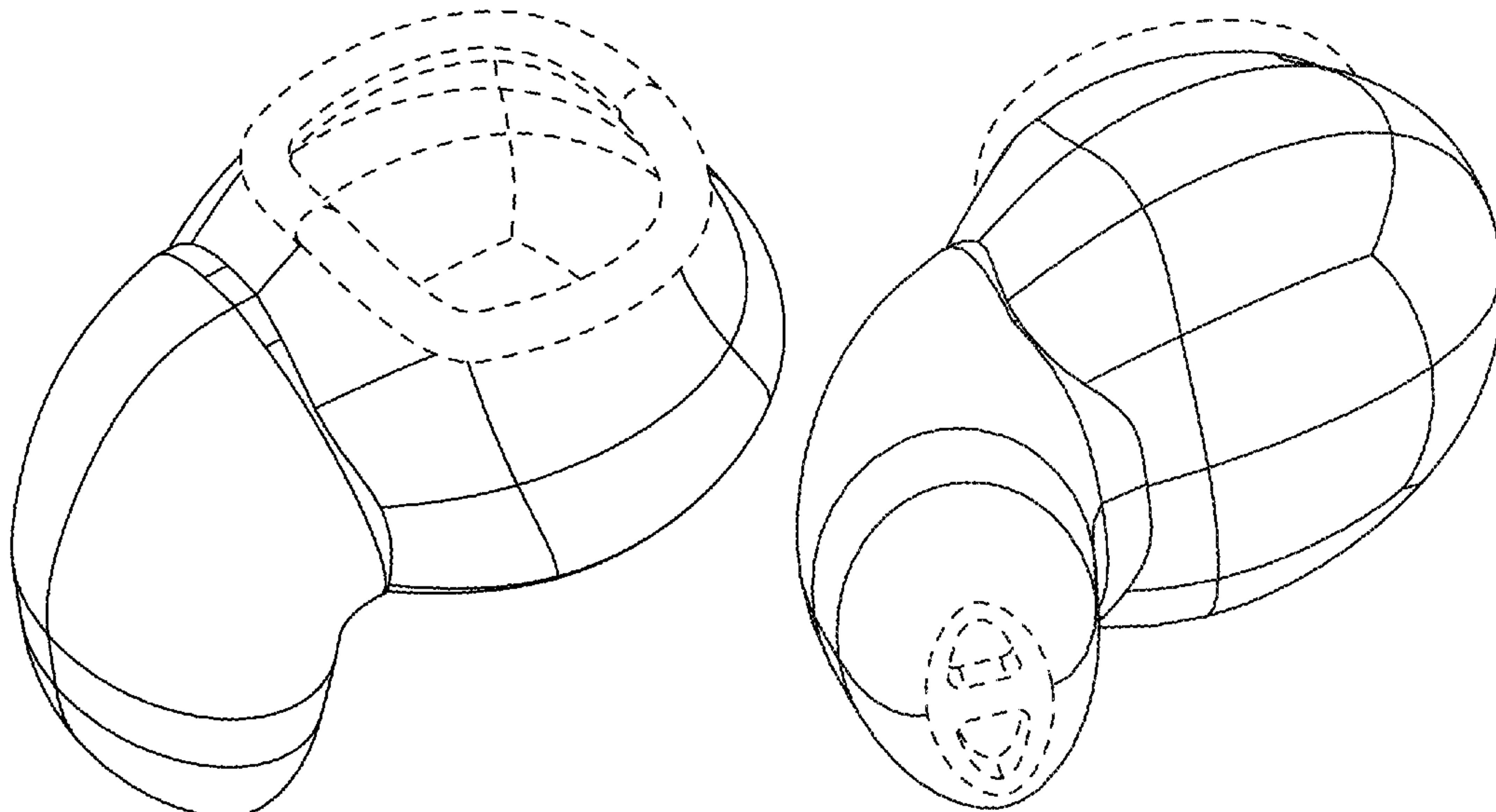
FIG. 1 is a top perspective view of an earplug showing my new design;
FIG. 2 is a bottom perspective view thereof;
FIG. 3 is a front view thereof;
FIG. 4 is a rear view thereof;
FIG. 5 is a left side view thereof;
FIG. 6 is a right side view thereof;
FIG. 7 is a top view thereof; and,
FIG. 8 is a bottom view thereof.
FIG. 9 is a bottom perspective view thereof;
FIG. 10 is a front view thereof; and,
FIG. 11 is a bottom view thereof; and,
FIG. 12 is a perspective view thereof in an alternate position.
The broken lines represent environmental structure or portions of the earplug and do not form a portion of the claimed design.

(56) **References Cited**

U.S. PATENT DOCUMENTS

2,148,477 A * 2/1939 Koch H04R 25/606
381/151
2,325,590 A * 7/1943 Carlisle H04R 25/60
381/328

1 Claim, 12 Drawing Sheets



(56)

References Cited

U.S. PATENT DOCUMENTS

4,010,820 A * 3/1977 Johnson H04R 25/652
181/135
4,069,400 A * 1/1978 Johanson H04R 25/60
381/322
D266,590 S * 10/1982 Bennett D24/174
4,375,016 A * 2/1983 Harada H04R 25/656
181/135
4,537,187 A * 8/1985 Scott A61F 11/08
128/864
4,579,112 A * 4/1986 Scott A61F 11/08
128/864
4,652,414 A * 3/1987 Schlaegel H04R 25/652
181/129
4,702,238 A * 10/1987 Scott A61F 11/08
128/867
D340,286 S * 10/1993 Seo D24/174
5,345,509 A * 9/1994 Hofer H04R 25/556
381/151
D353,379 S * 12/1994 Nakamura D14/223
D399,001 S * 9/1998 Yabe D24/174
D402,661 S * 12/1998 Hayashi D14/223
6,122,388 A * 9/2000 Feldman H04R 25/604
381/322
6,354,990 B1 * 3/2002 Juneau H04R 25/60
600/25
6,595,317 B1 * 7/2003 Widmer H04R 25/652
181/135
D478,991 S * 8/2003 Dyer D24/174
6,688,421 B2 * 2/2004 Dyer A61F 11/08
181/130
6,690,807 B1 * 2/2004 Meyer G02C 5/143
2/12
D505,132 S * 5/2005 Linville D14/223
D514,094 S * 1/2006 Griffin D14/223
7,130,437 B2 * 10/2006 Stonikas H04R 25/652
381/322
D532,110 S * 11/2006 Bailey D24/174
D532,770 S * 11/2006 Engstrom D14/205
D558,735 S * 1/2008 Carr D14/206
D570,485 S * 6/2008 Olsen D24/174
7,403,629 B1 * 7/2008 Aceti H04R 25/656
181/130

D587,247 S * 2/2009 Densho D14/223
D601,134 S * 9/2009 Elabidi D14/223
D618,219 S * 6/2010 Burgett D14/223
D622,265 S * 8/2010 Rye D14/223
D622,705 S * 8/2010 Fahrendorff D14/223
D632,282 S * 2/2011 Kitayama D14/223
D635,558 S * 4/2011 Zheng D14/223
7,965,855 B1 * 6/2011 Ham H04R 1/1091
381/380
D645,455 S * 9/2011 Manhard D14/223
D653,235 S * 1/2012 McManigal D14/205
8,111,864 B2 * 2/2012 Oliveira H04R 1/10
381/381
D660,291 S * 5/2012 Thomas D14/223
8,666,102 B2 * 3/2014 Bruckhoff A61F 11/08
381/328
D711,356 S * 8/2014 Yang D14/223
D712,882 S * 9/2014 Wang D14/223
D719,132 S * 12/2014 Toelle D14/205
D721,354 S * 1/2015 Thompson D14/223
D729,764 S * 5/2015 Arjomand H04R 25/652
D14/205
D732,008 S * 6/2015 Akana H04R 1/10
D14/223
D735,169 S * 7/2015 Shieh D14/223
9,161,114 B2 * 10/2015 Bone H04R 1/1016
D742,362 S * 11/2015 Bonahoom D14/223
D755,158 S * 5/2016 Lee D14/205
9,628,889 B2 * 4/2017 Kirkpatrick H04R 1/1058
D814,443 S * 4/2018 Sandanger H04R 1/10
D14/223
10,462,548 B2 * 10/2019 Yu H04R 1/1083
2001/0043708 A1 * 11/2001 Brimhall H04R 25/652
381/328
2005/0008180 A1 * 1/2005 Smith H04R 1/1016
381/328
2005/0147269 A1 * 7/2005 Oliveira H04R 1/10
381/382
2006/0050912 A1 * 3/2006 Kidd H04R 25/656
381/322
2006/0067556 A1 * 3/2006 Bailey H04R 1/105
381/380
2018/0338194 A1 * 11/2018 Yu H04R 1/1016

* cited by examiner

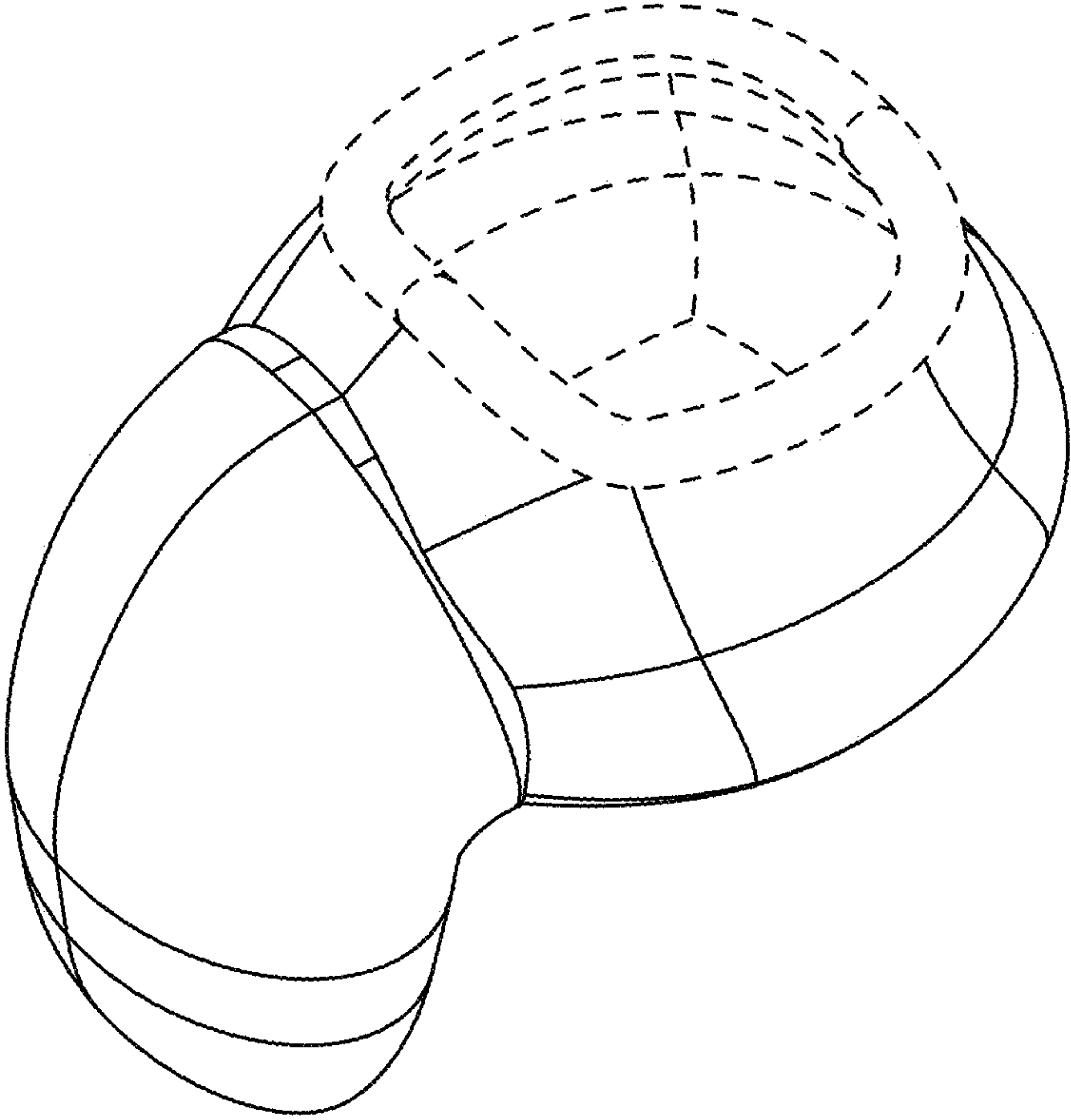


FIG. 1

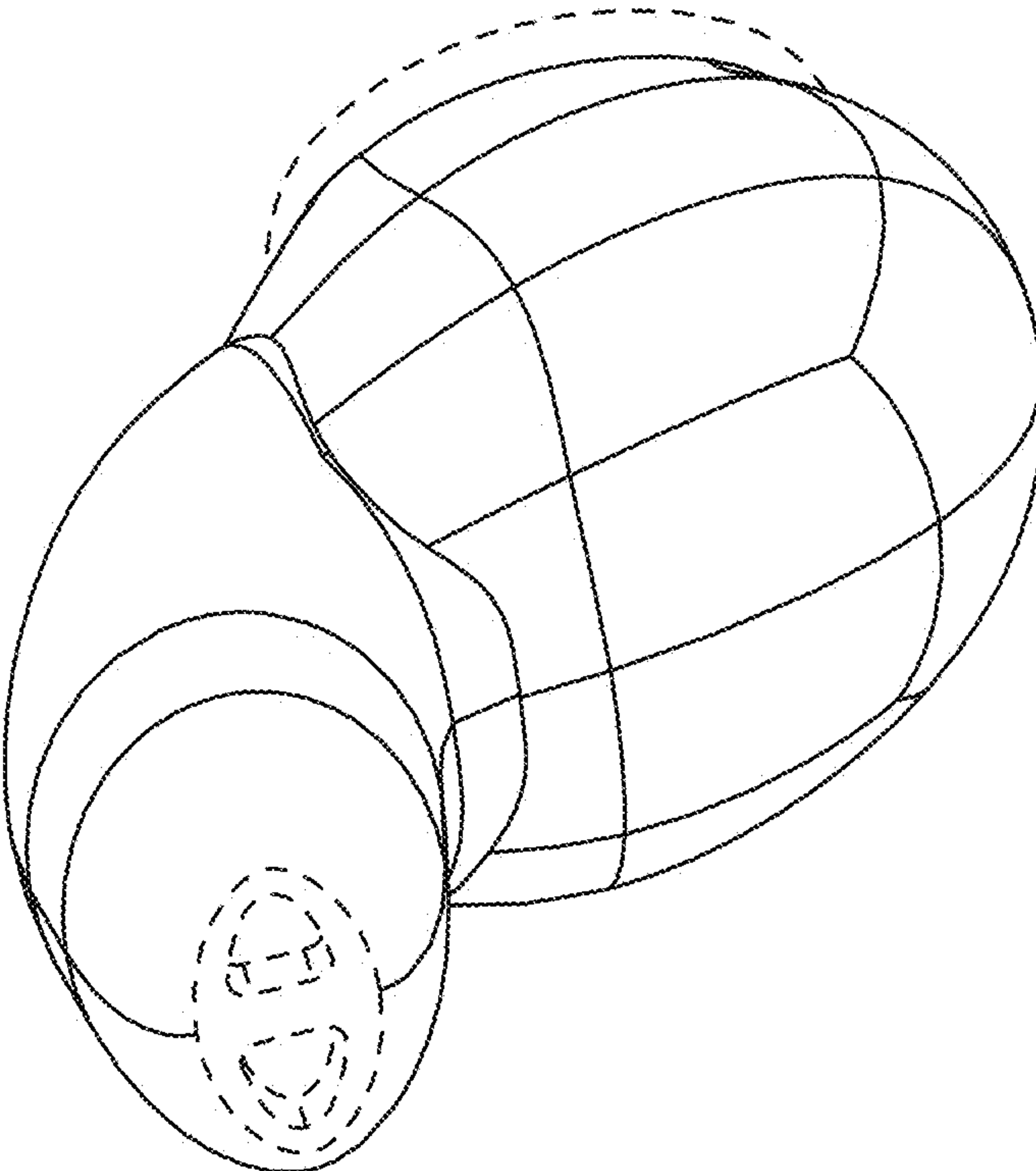


FIG. 2

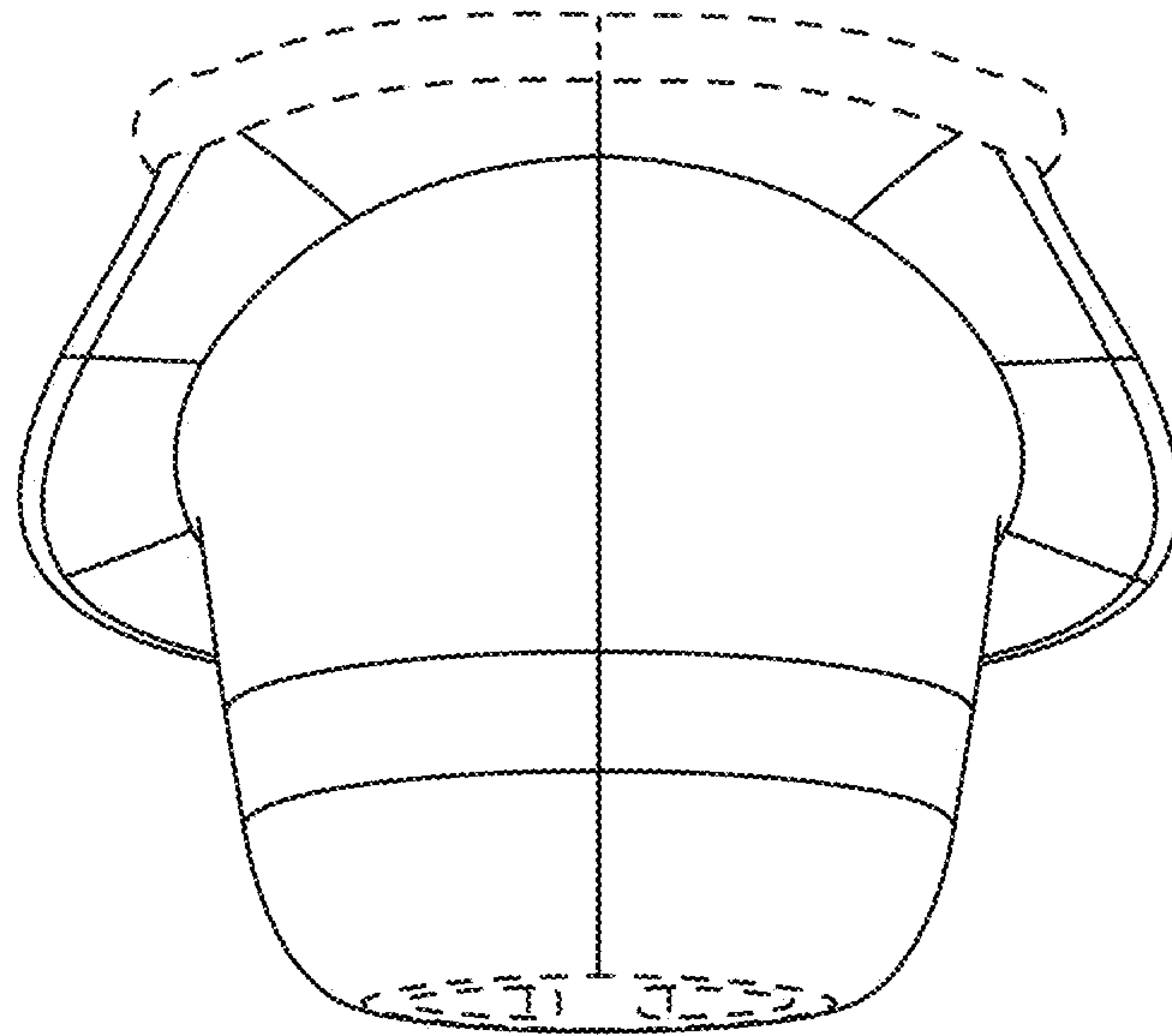


FIG. 3

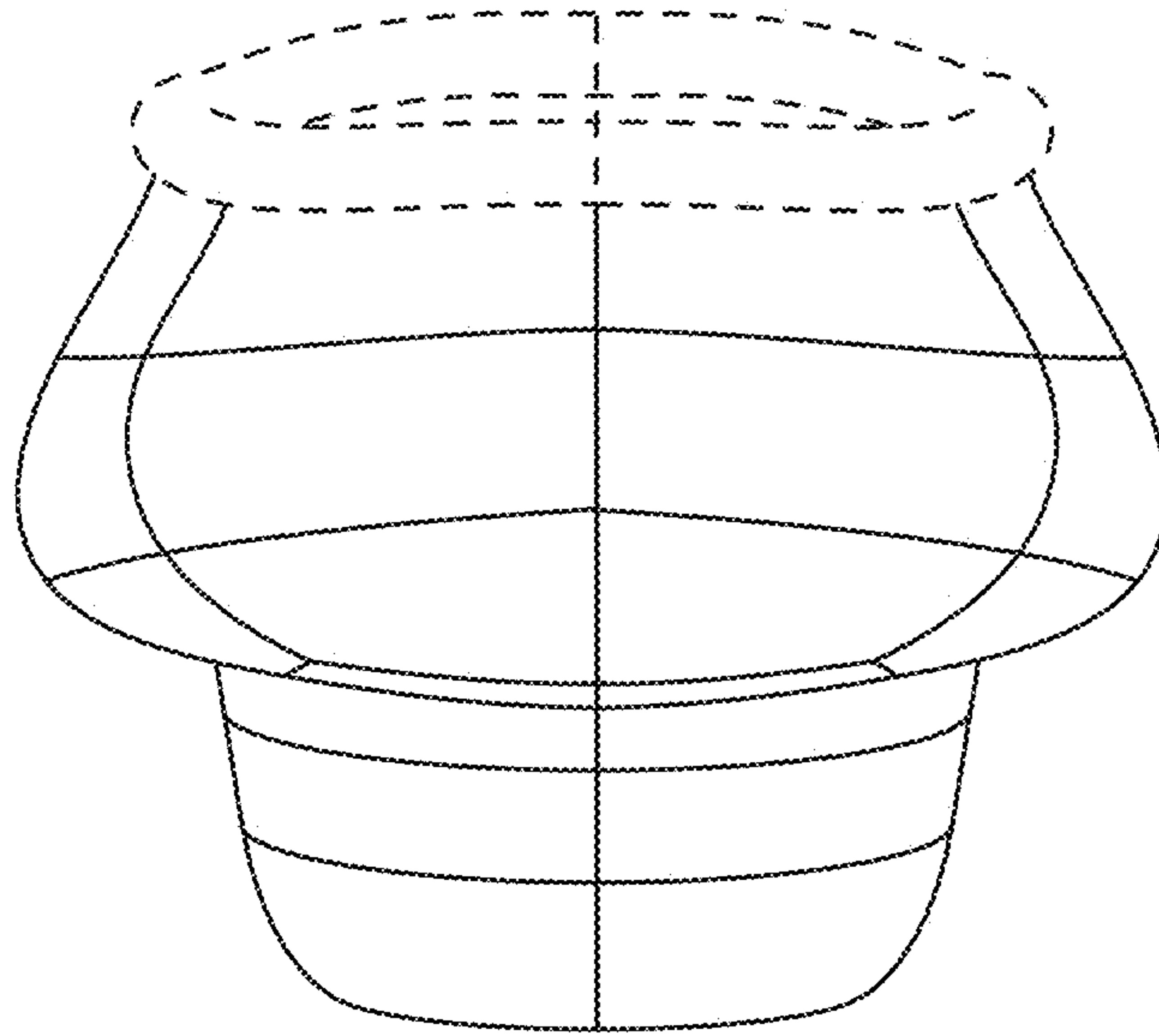


FIG. 4

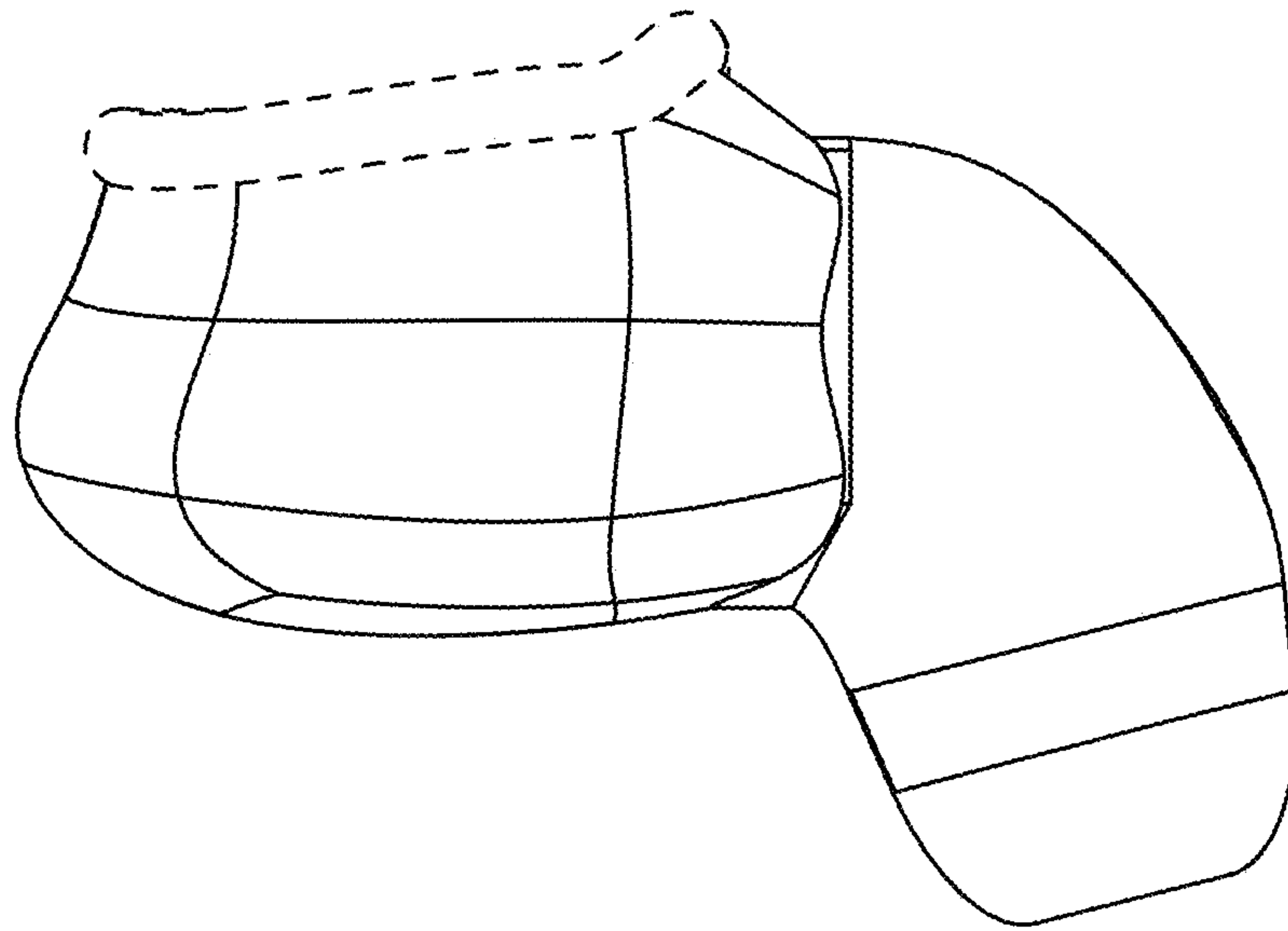


FIG. 5

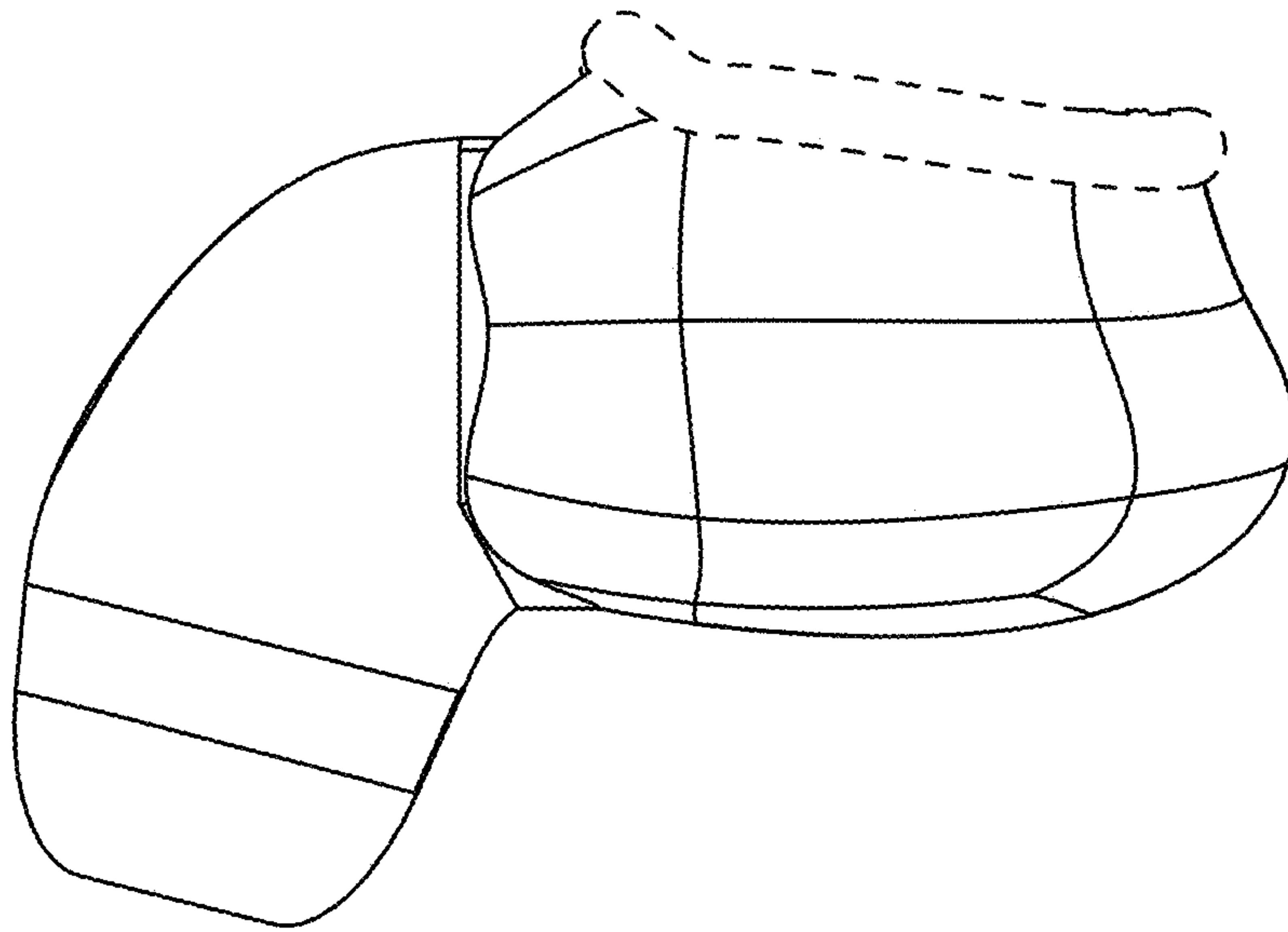


FIG. 6

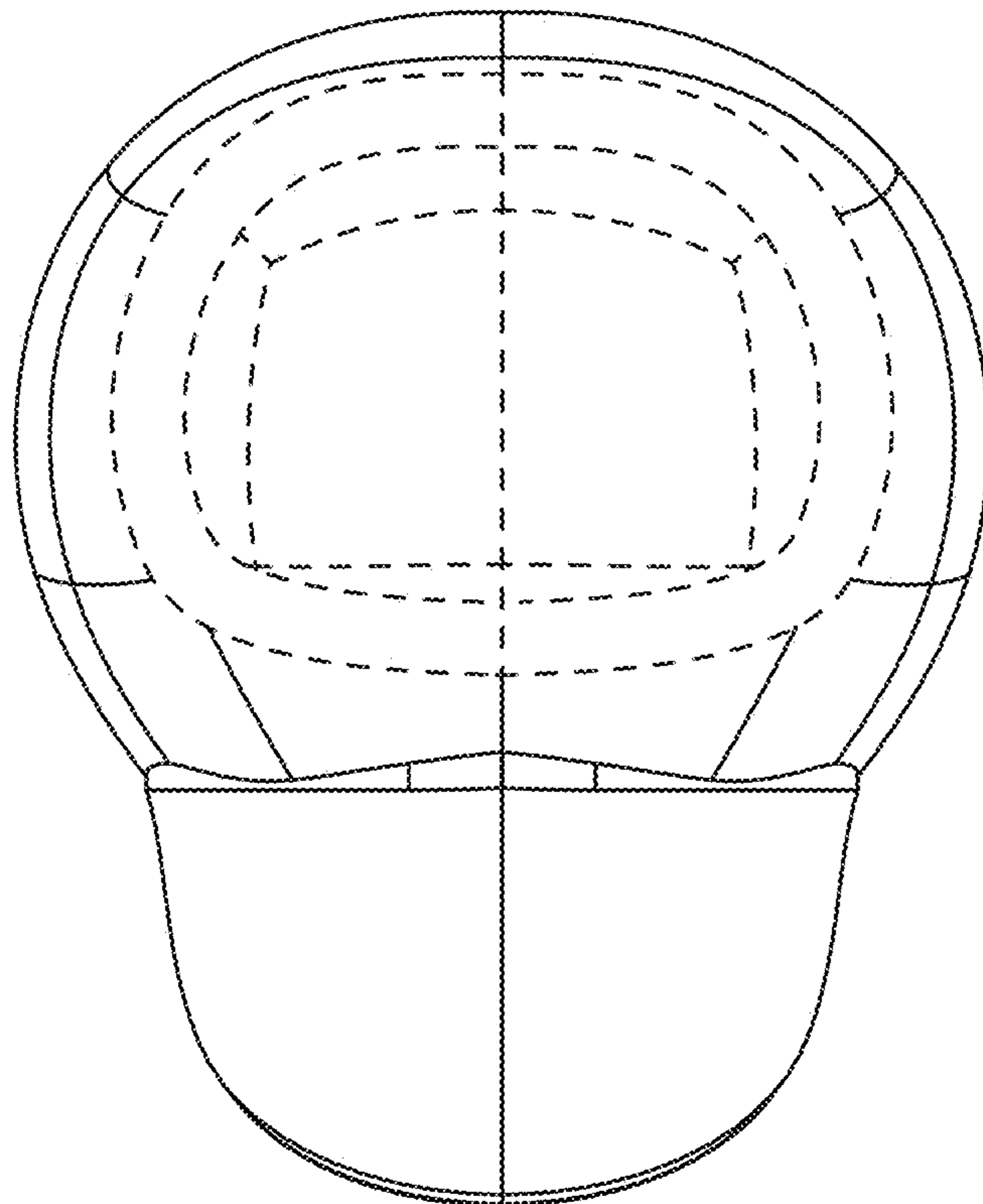


FIG. 7

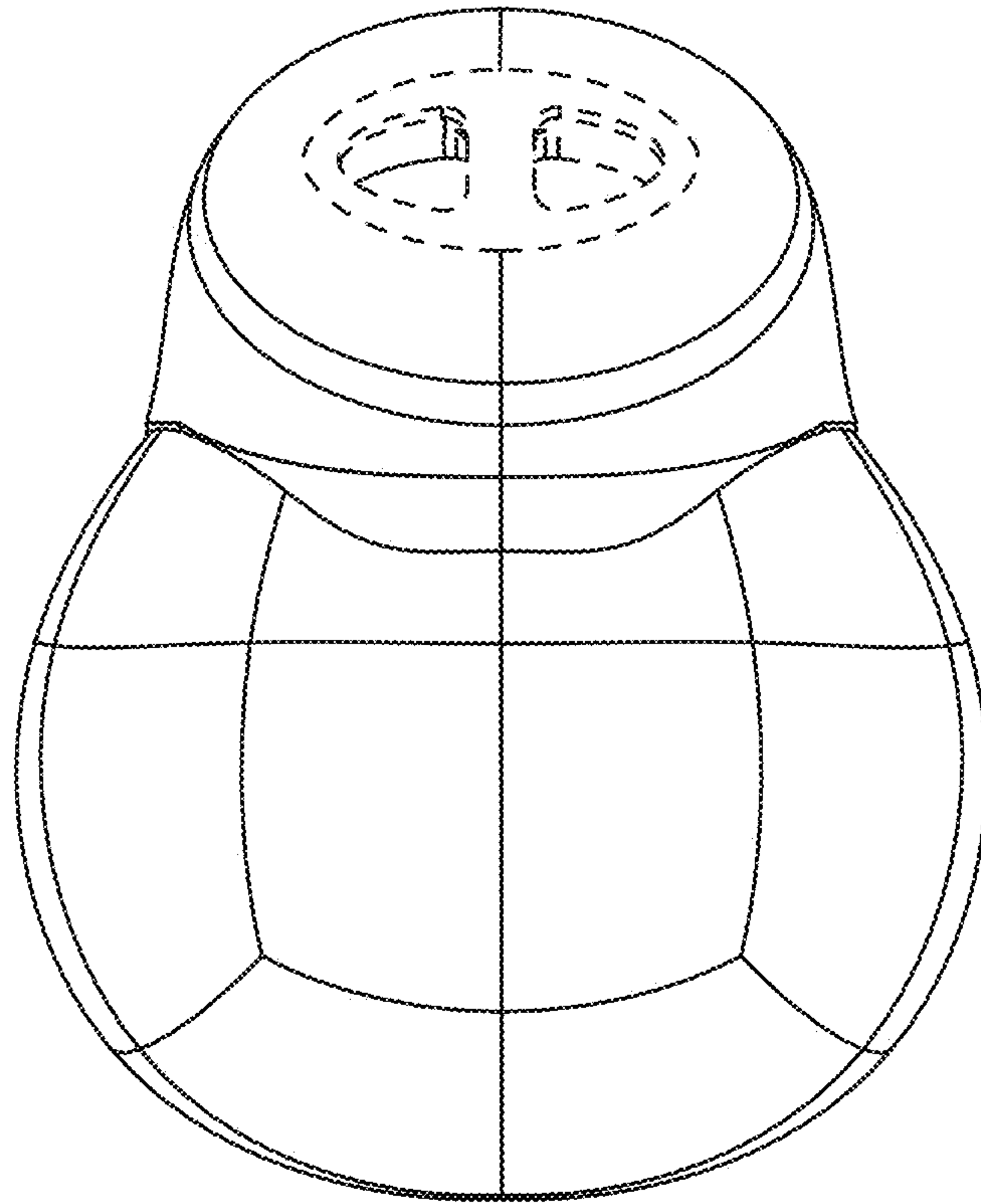


FIG. 8

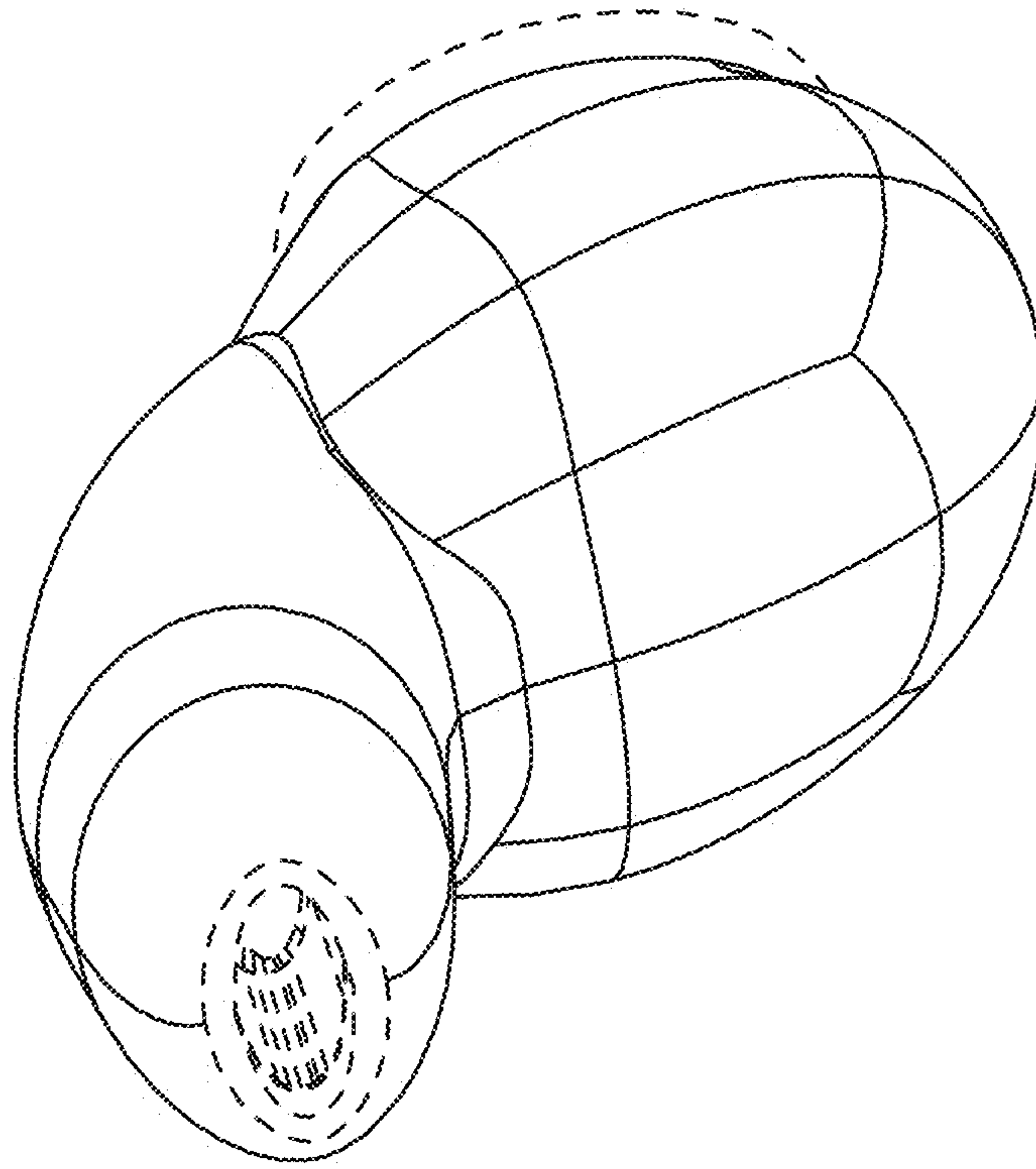


FIG. 9

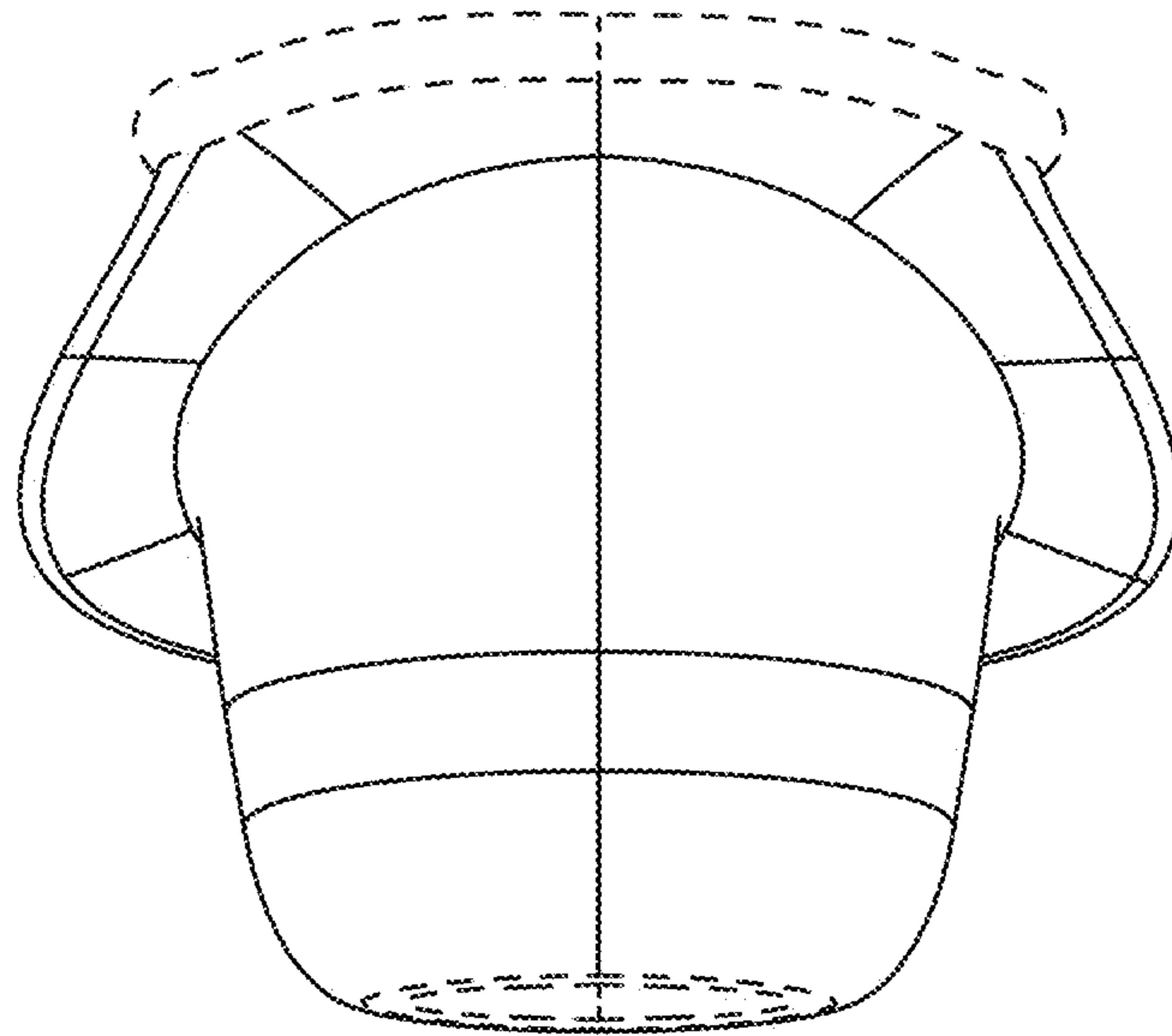


FIG. 10

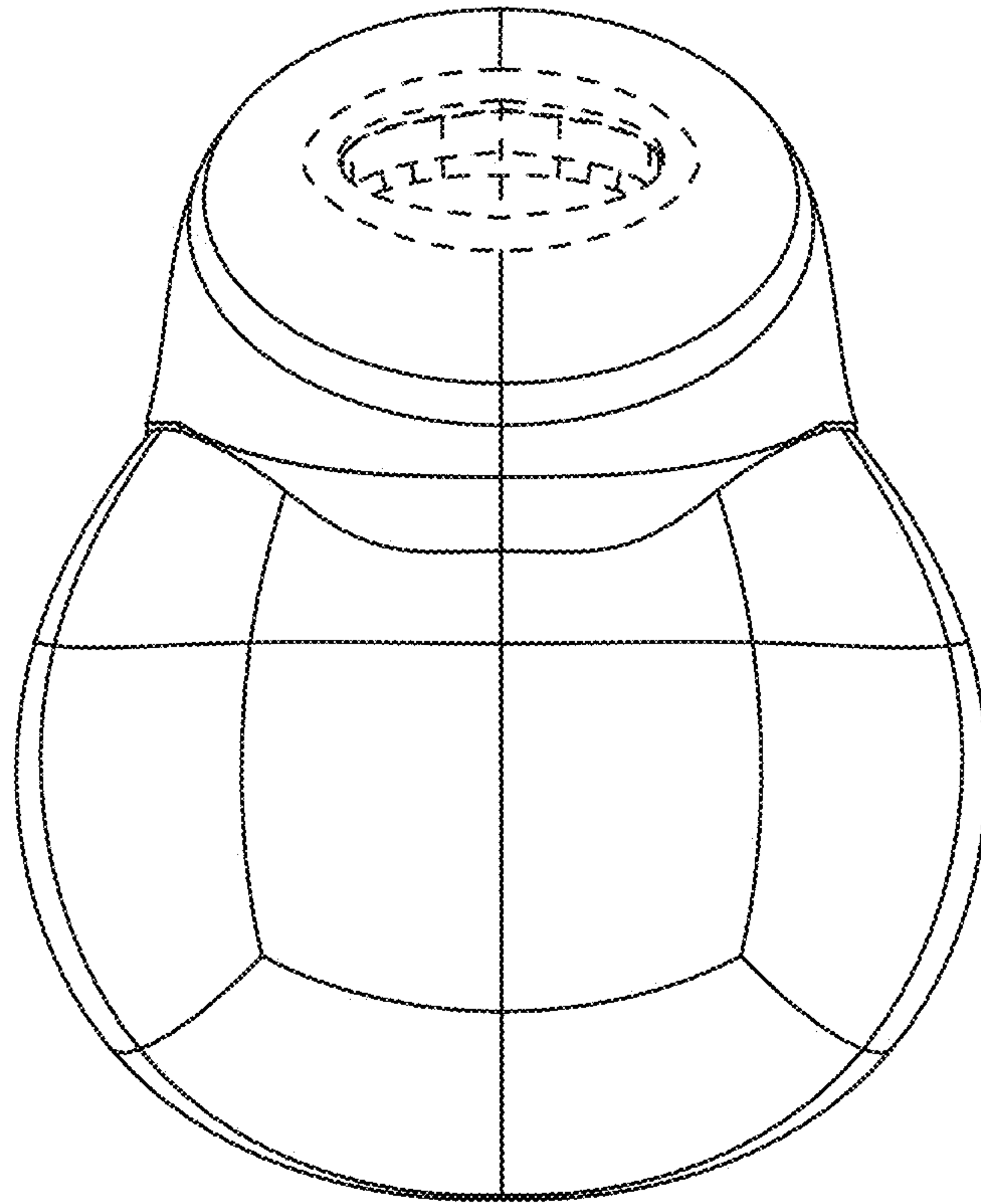


FIG. 11

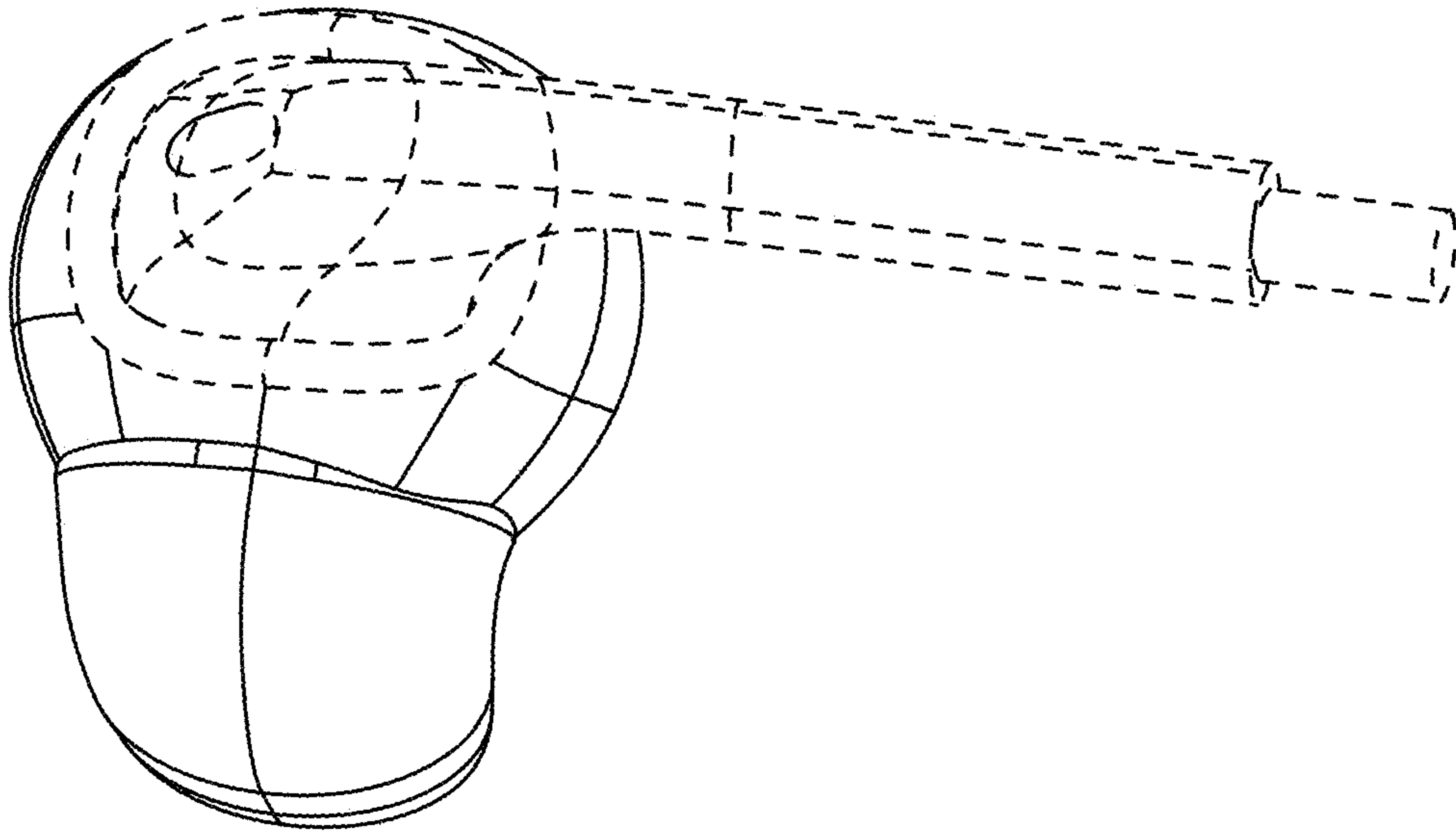


FIG. 12