



US00D905664S

(12) **United States Design Patent** (10) **Patent No.:** **US D905,664 S**
He (45) **Date of Patent:** **** Dec. 22, 2020**

(54) **HEADPHONE**

FOREIGN PATENT DOCUMENTS

(71) Applicant: **Harman International Industries, Incorporated**, Northridge, CA (US)

IN 237336 4/2012

(72) Inventor: **Yanyao He**, Shenzhen (CN)

OTHER PUBLICATIONS

(73) Assignee: **Harman International Industries, Incorporated**, Northridge, CA (US)

JBL Tune 120TWS, announced © 2020 [online], retrieved Feb. 28, 2020, retrieved from internet, https://www.harmanaudio.com/headphones/JBL+TUNE120TWS.html?cgid=headphones&dwvar_JBL%20TUNE120TWS_color=Black-USA-Current#start=1.*

(**) Term: **15 Years**

(Continued)

(21) Appl. No.: **29/661,340**

Primary Examiner — Dana K Weiland

(22) Filed: **Aug. 27, 2018**

Assistant Examiner — Messina L Smith

(51) **LOC (12) Cl.** **14-01**

(74) *Attorney, Agent, or Firm* — Plumsea Law Group, LLC

(52) **U.S. Cl.**

USPC **D14/223**

(58) **Field of Classification Search**

USPC ... D14/205, 207, 209.1, 217, 218, 221, 223, D14/224, 224.1, 225; D24/173, 174, 106, D24/105

CPC H04R 1/00; H04R 1/10; H04R 1/1016; H04R 1/1066; H04R 1/105; H04R 1/1033; H04R 1/1083; H04R 1/1091; H04R 5/033; H04R 5/0335; H04R 25/00

See application file for complete search history.

(56) **References Cited**

U.S. PATENT DOCUMENTS

D554,756 S	*	11/2007	Sjursen	D24/174
D719,139 S	*	12/2014	Henry	D14/223
D728,107 S	*	4/2015	Torres Martin	D24/174
D764,445 S		8/2016	Czaniecki		
D773,439 S		12/2016	Walker		
D777,710 S	*	1/2017	Palmborg	D14/223
D806,879 S	*	1/2018	Horbinski	D24/174
D812,042 S	*	3/2018	Xiao	D14/223
D813,205 S	*	3/2018	Palmborg	D14/223
D813,848 S	*	3/2018	Palmborg	D14/223
D817,309 S		5/2018	Czaniecki et al.		
D833,420 S		11/2018	Lindenberger		
D841,627 S	*	2/2019	Wen	D14/223

(Continued)

(57) **CLAIM**

The ornamental design for a headphone, as shown and described.

DESCRIPTION

FIG. 1 is a perspective view of a headphone showing the new design;

FIG. 2 is a front elevational view thereof;

FIG. 3 is a rear elevational view thereof;

FIG. 4 is a left side elevational view thereof;

FIG. 5 is right side elevational view thereof;

FIG. 6 is a bottom view thereof;

FIG. 7 is a top view thereof;

FIG. 8 is a perspective view of the headphone shown in a second embodiment;

FIG. 9 is a front elevational view thereof;

FIG. 10 is a rear elevational view thereof;

FIG. 11 is a left side elevational view thereof;

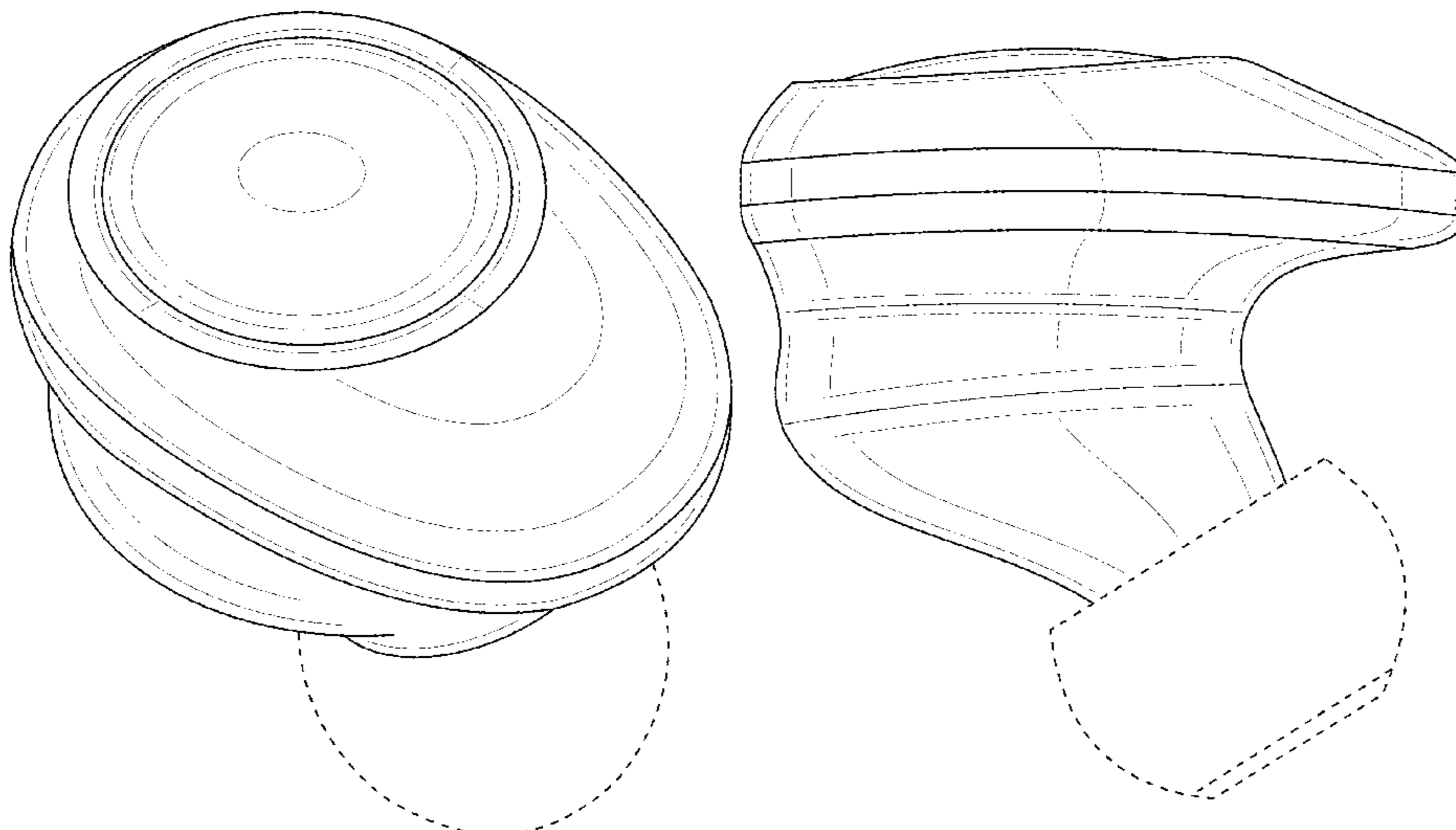
FIG. 12 is a right side elevational view thereof;

FIG. 13 is a bottom view thereof; and,

FIG. 14 is a top view thereof.

The broken lines in the drawings depict portions of the headphone that form no part of the claimed design.

1 Claim, 14 Drawing Sheets



(56)

References Cited

U.S. PATENT DOCUMENTS

D843,353 S * 3/2019 Zhang D14/223
 D851,072 S * 6/2019 McNamara D14/223
 D852,782 S * 7/2019 Bergman D14/223
 D858,489 S * 9/2019 Hu D14/223
 D863,263 S * 10/2019 Yu D14/223
 D864,167 S * 10/2019 Wu D14/223
 D864,919 S * 10/2019 Bonahoom D14/223
 D866,530 S * 11/2019 Birger D14/223
 D866,531 S * 11/2019 Zeng D14/223
 D868,750 S * 12/2019 Zheng D14/223
 D868,752 S * 12/2019 Zhu D14/223
 D871,376 S * 12/2019 Zhou D14/223
 D872,063 S * 1/2020 Arimoto D14/223
 D872,064 S * 1/2020 Cai D14/223
 D873,805 S * 1/2020 Yang D14/223
 D875,069 S * 2/2020 Peralta D14/205
 D875,714 S * 2/2020 Kim D14/205

D875,719 S * 2/2020 Wen D14/223
 2017/0111725 A1 * 4/2017 Boesen H04R 1/1041
 2018/0131798 A1 * 5/2018 Hviid H04R 1/1016
 2019/0201245 A1 * 7/2019 Albean H04R 1/1016
 2020/0037058 A1 * 1/2020 Ueda H04R 1/1016
 2020/0037084 A1 * 1/2020 Cheung H04R 1/1083

OTHER PUBLICATIONS

JBL Tune 120TWS review, announced Aug. 21, 2019 [online],
 retrieved Feb. 28, 2020, retrieved from internet, <https://www.androidguys.com/reviews/accessory-reviews/jbl-tune-120tws-review/>.
 JBL Free Truly Wireless In-ear Headphones Specification Sheet,
 Harman International Industries, Incorporated, 2017.
 Design U.S. Appl. No. 29/615,826, filed Aug. 31, 2017.
 First Examination Report dated Jan. 17, 2019 in India Design
 Application No. 312579.

* cited by examiner

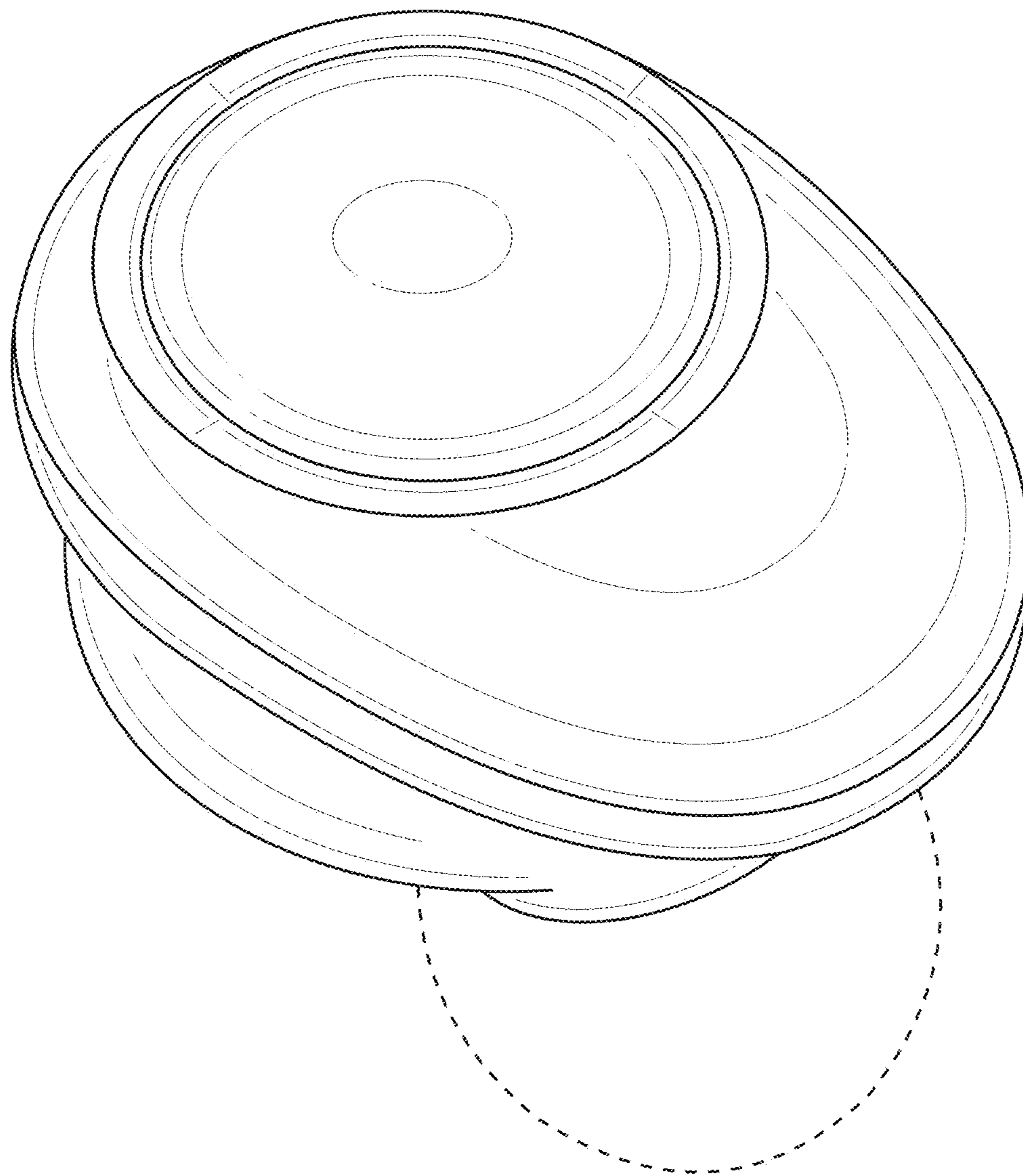


FIG. 1

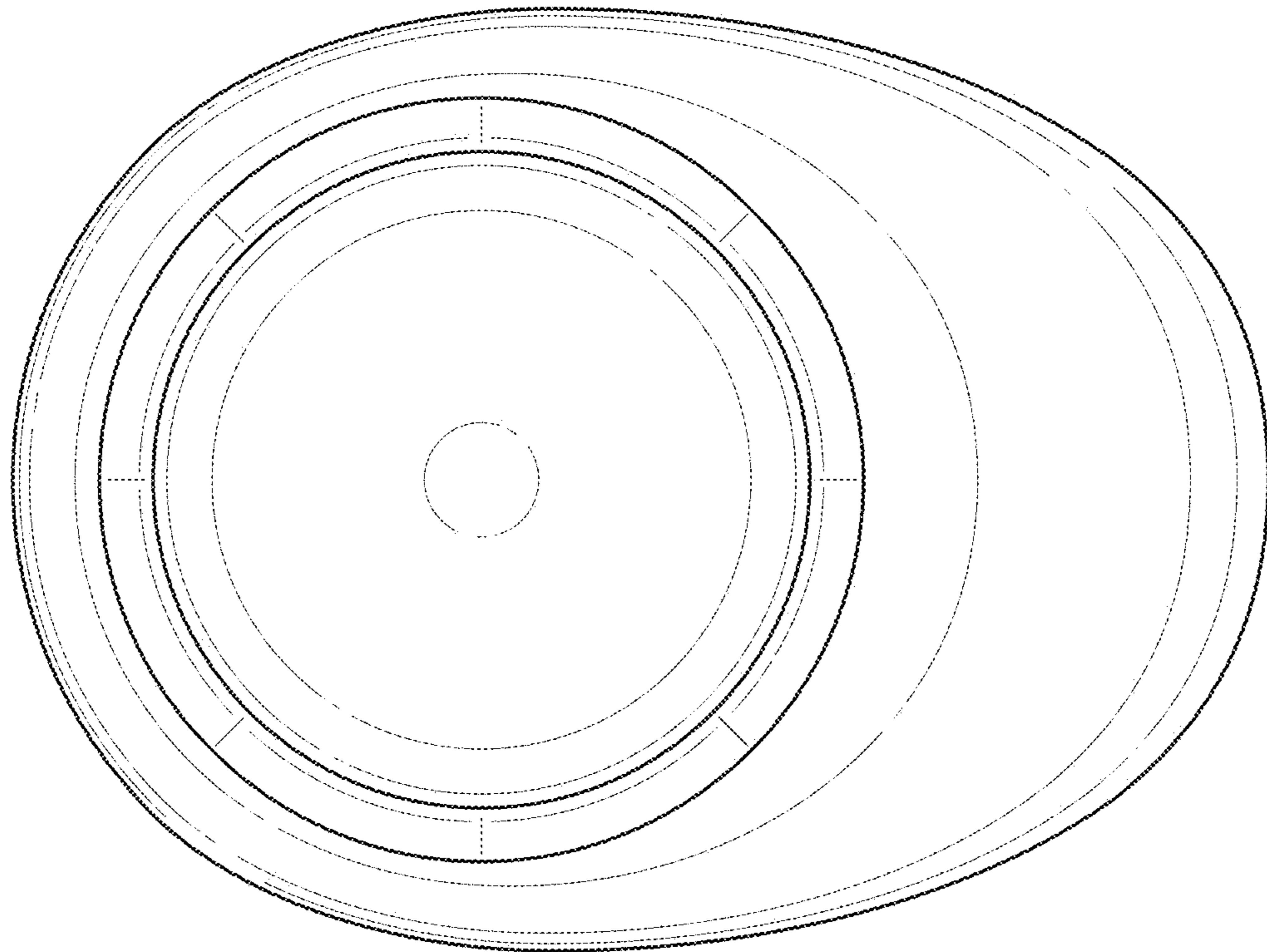


FIG. 2

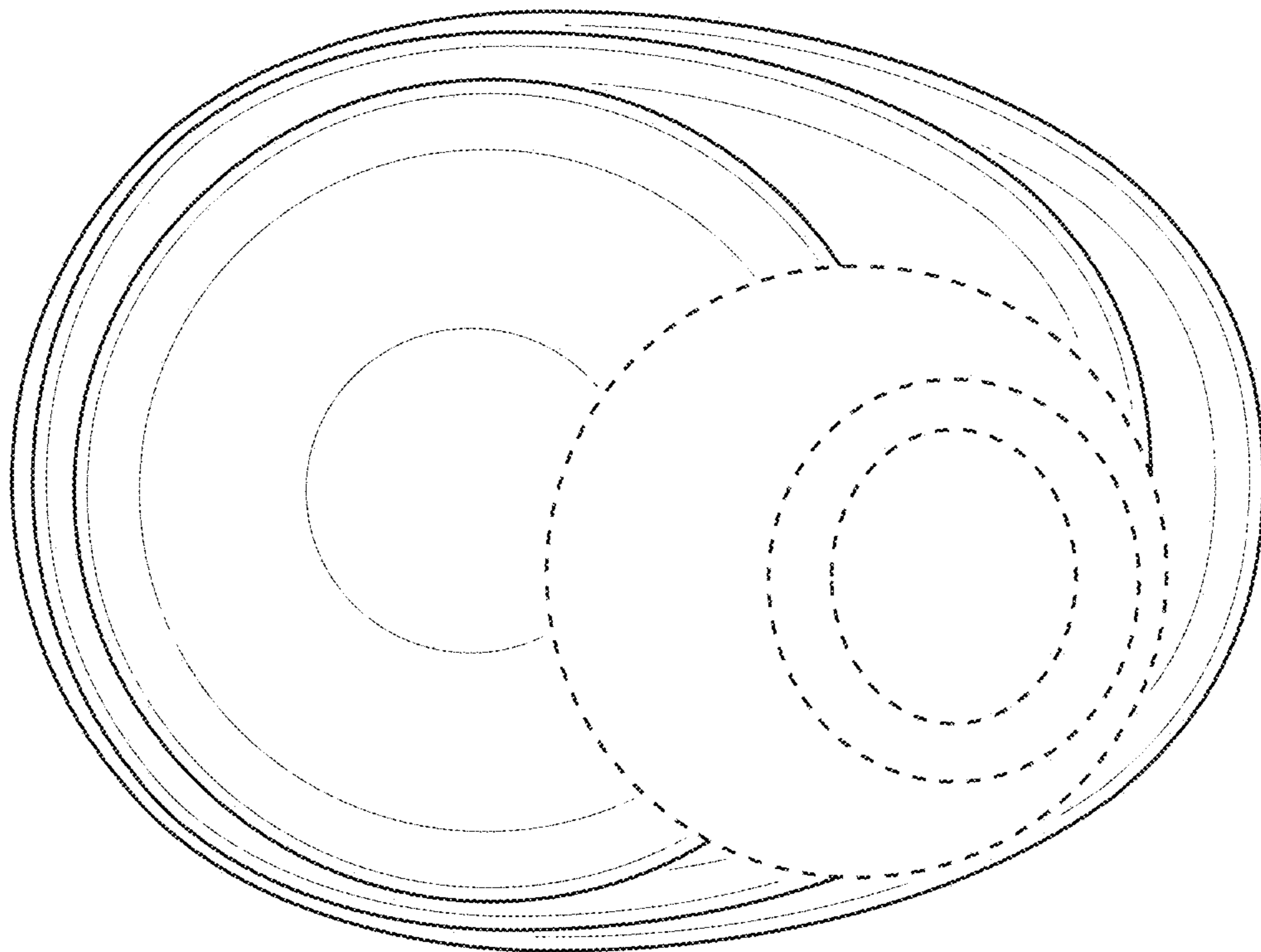


FIG. 3

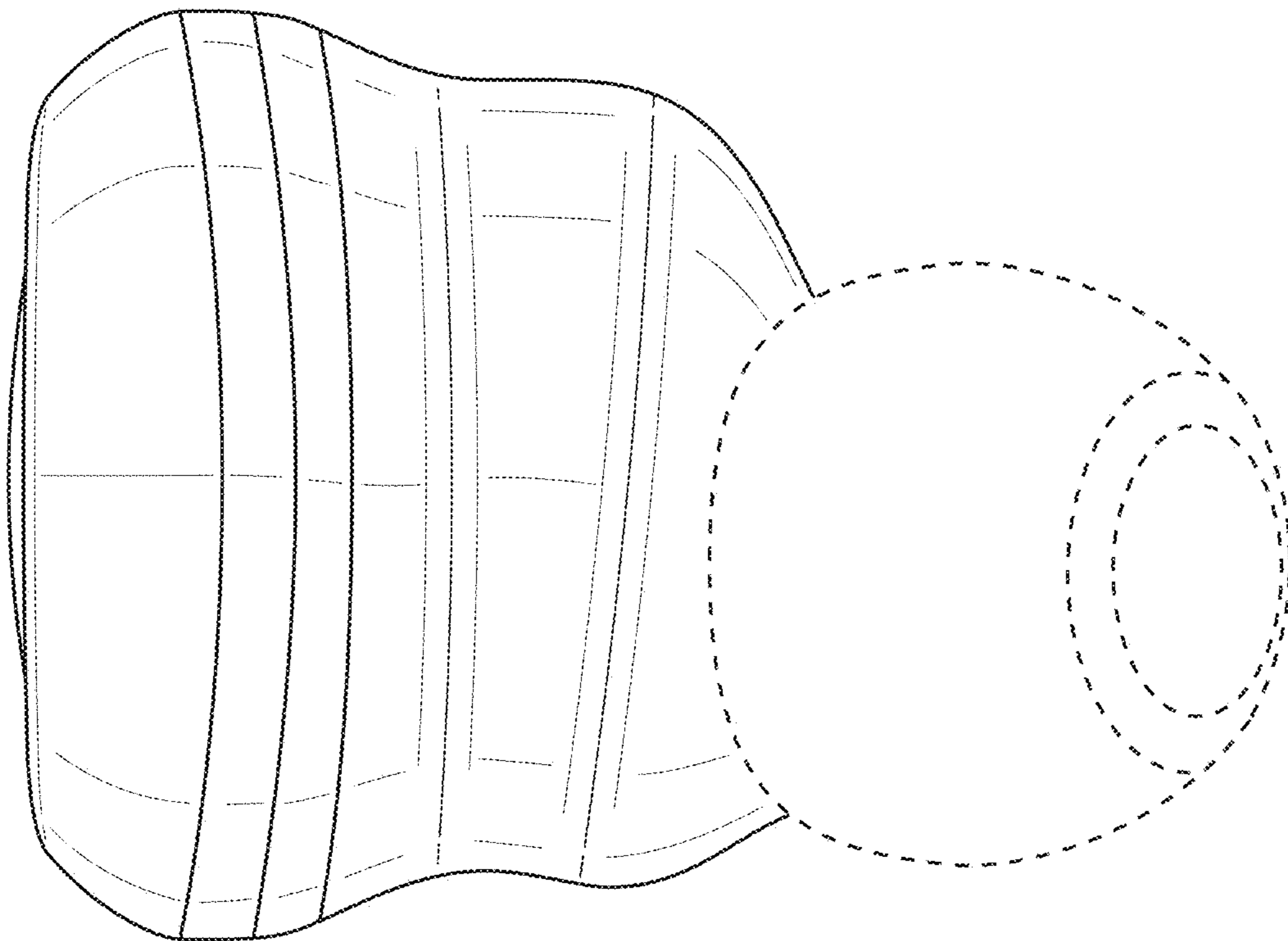


FIG. 4

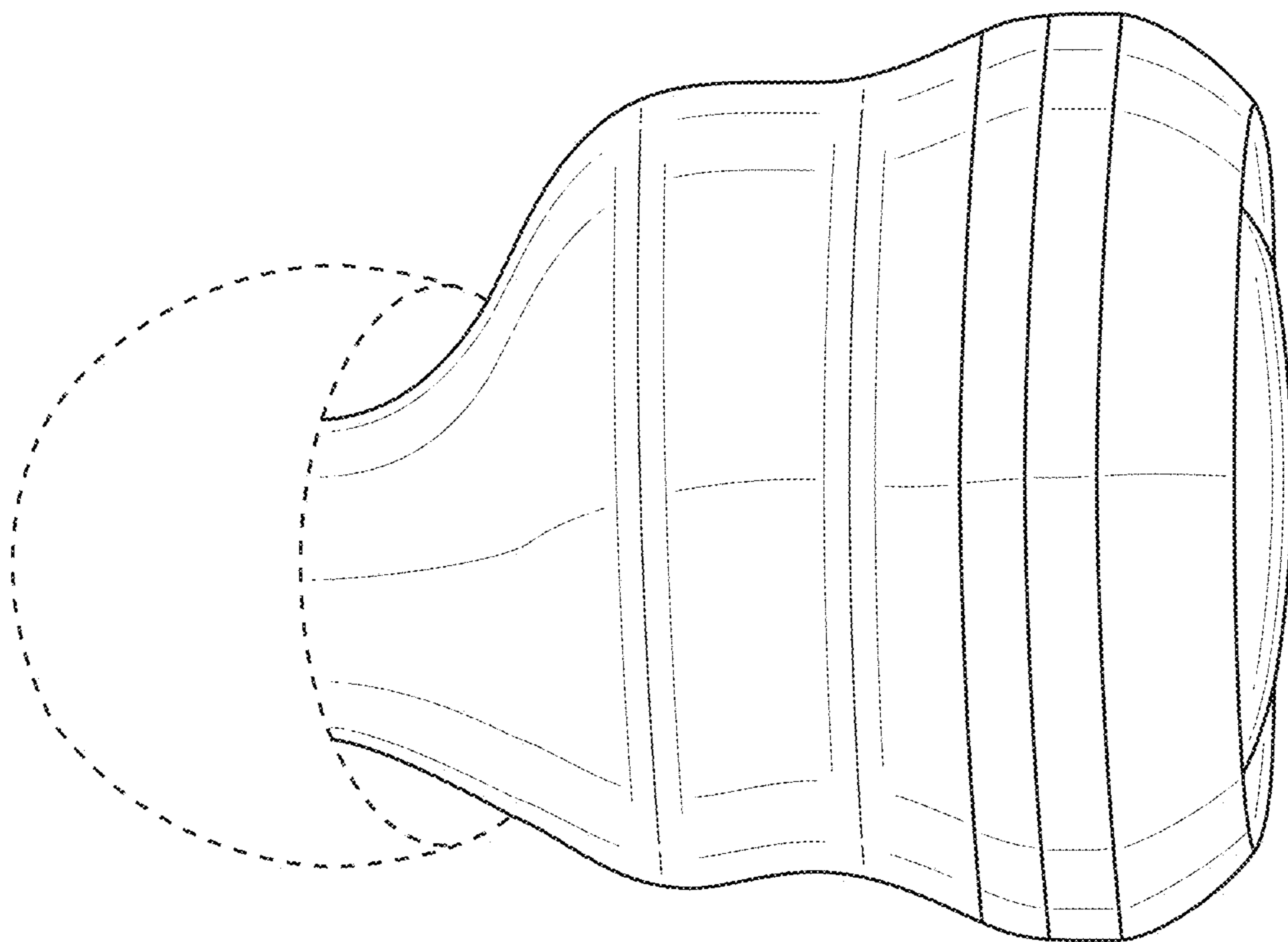


FIG. 5

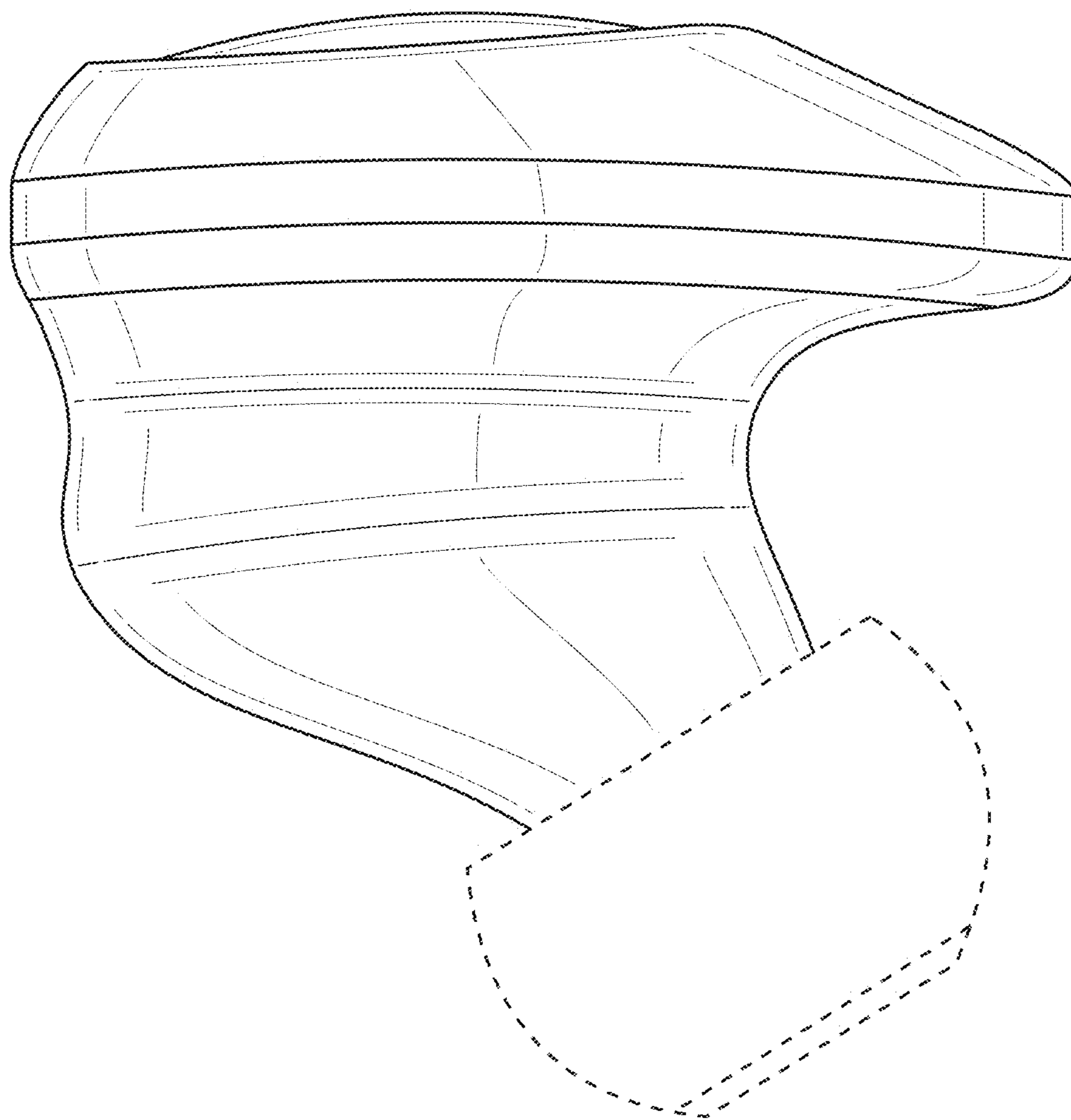


FIG. 6

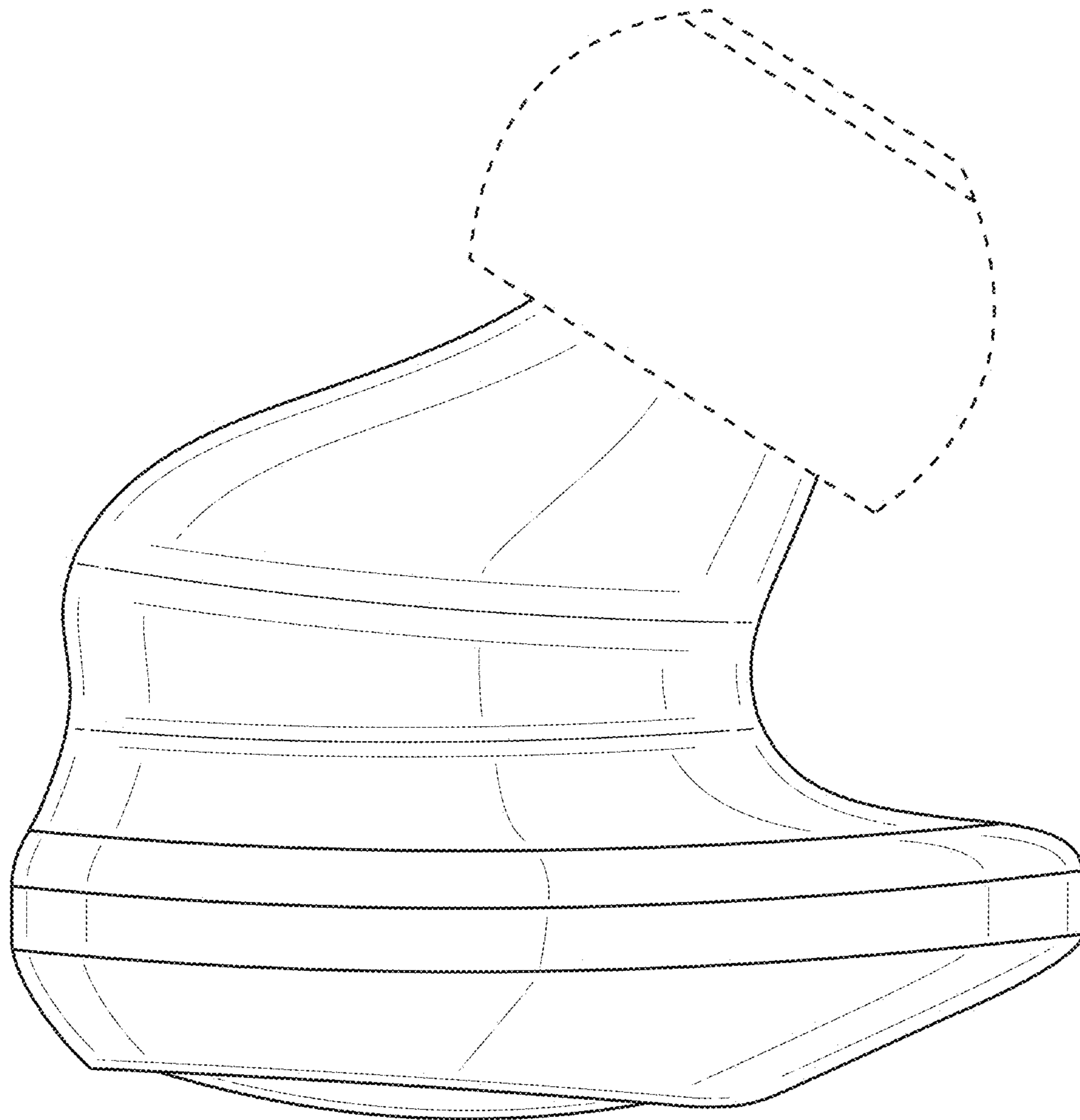


FIG. 7

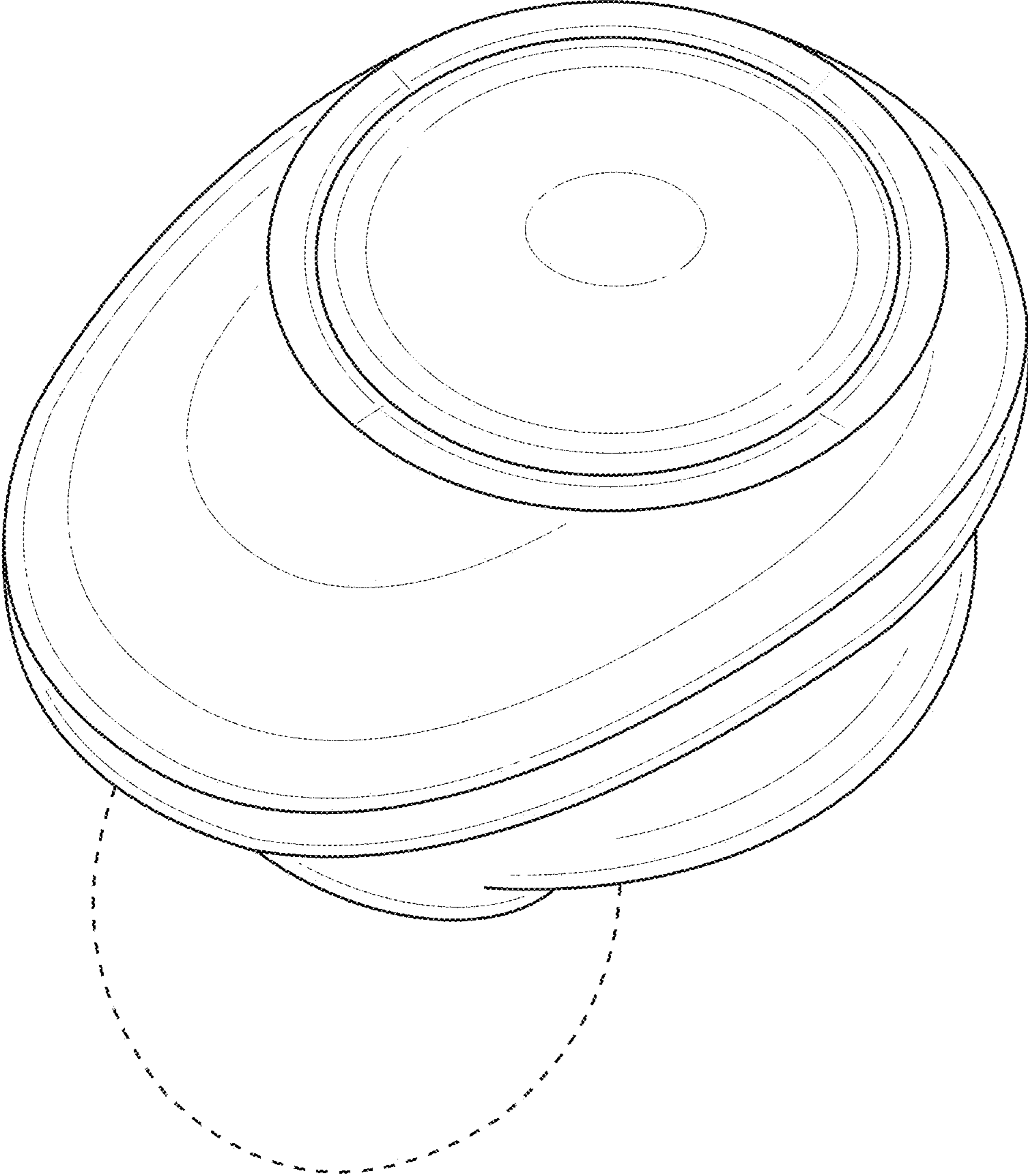


FIG. 8

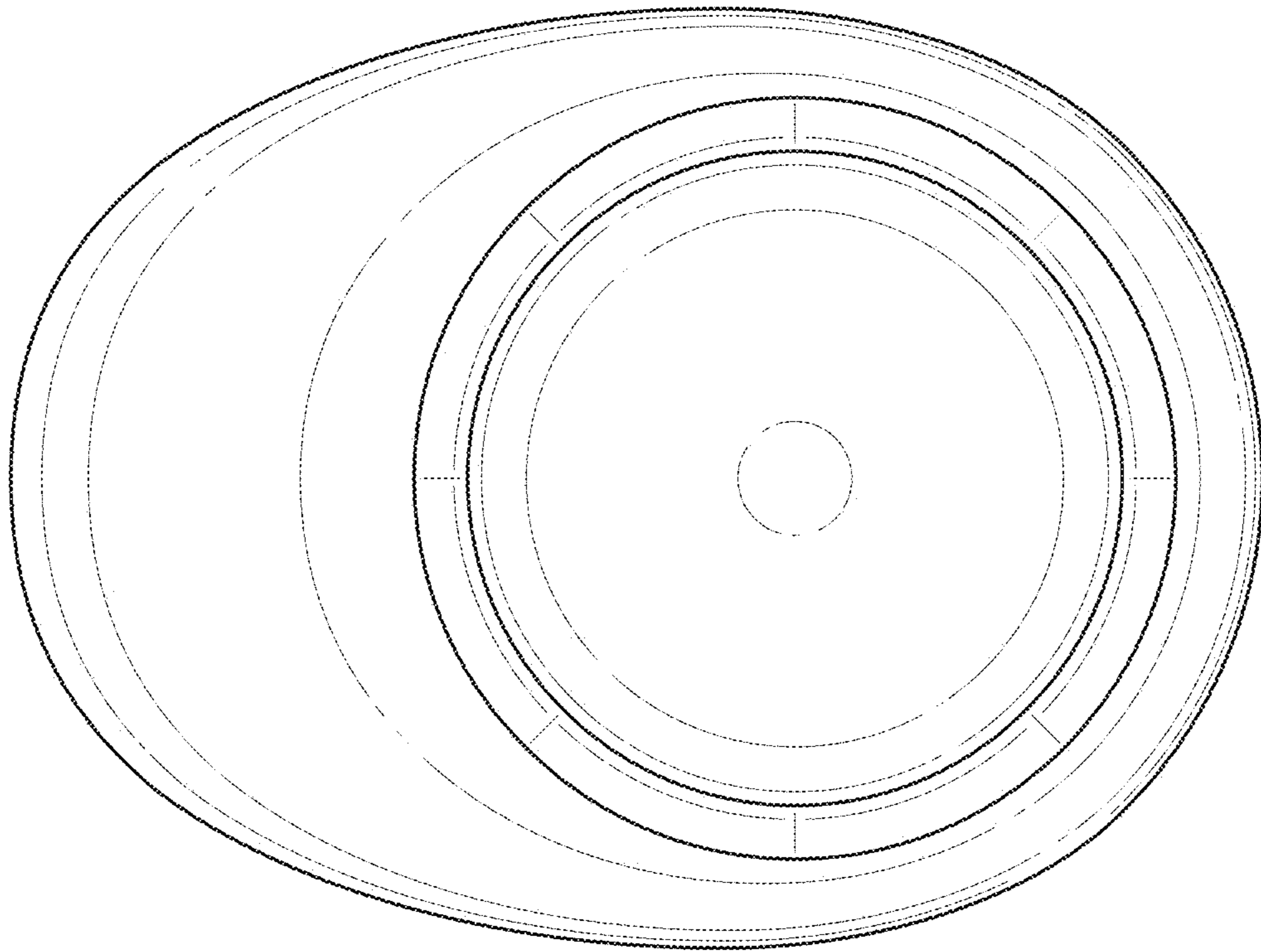


FIG. 9

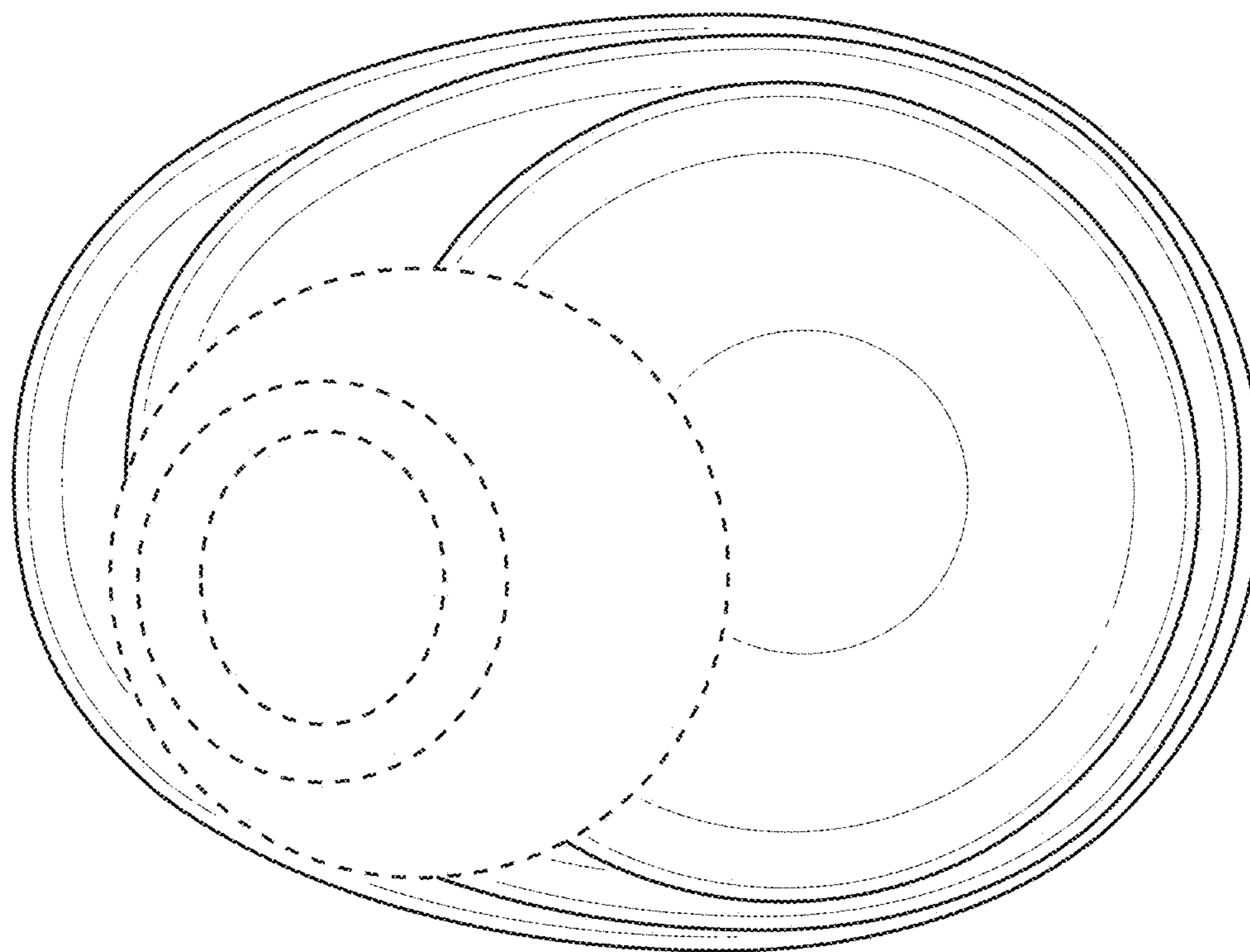


FIG. 10

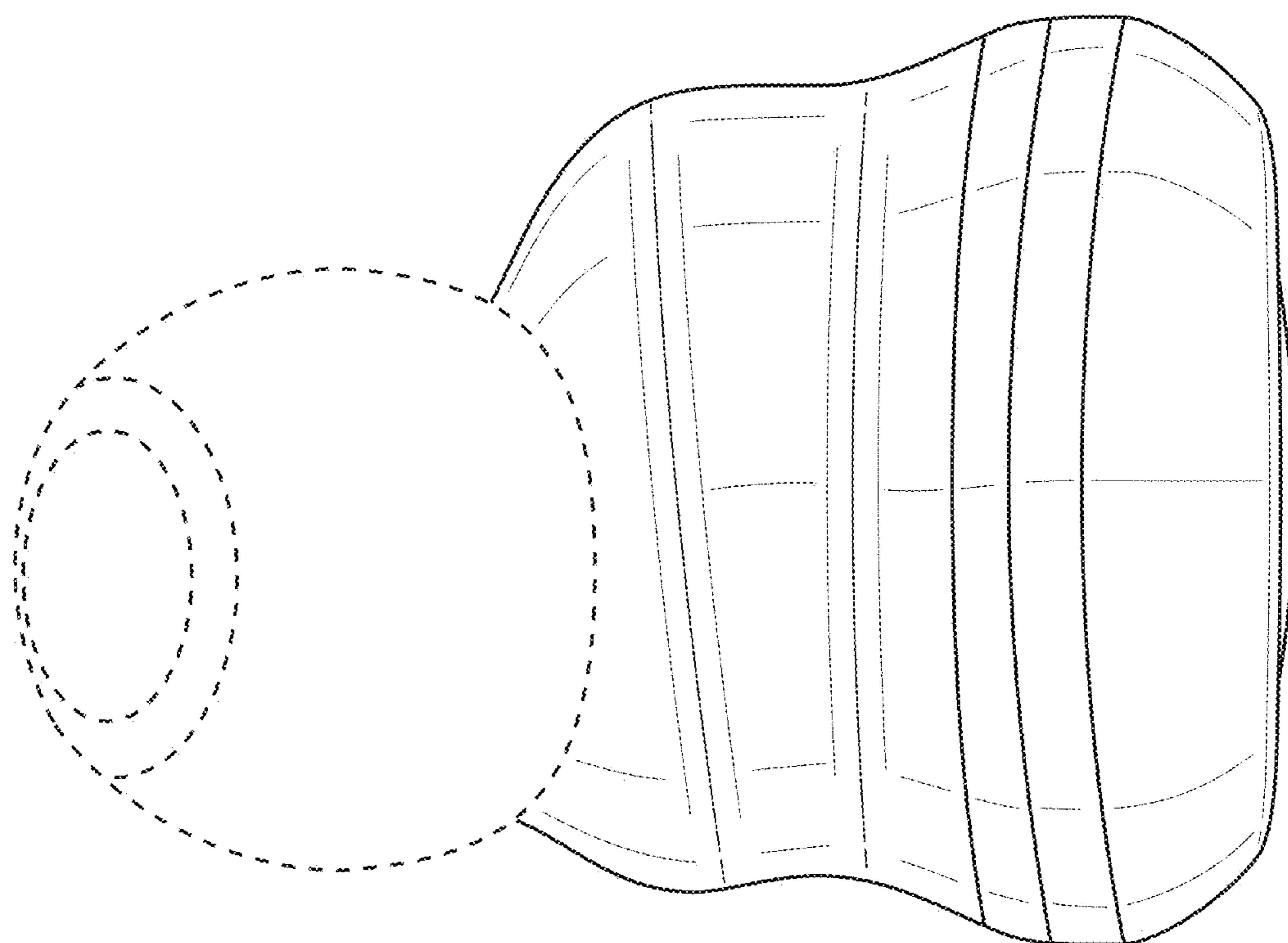


FIG. 11

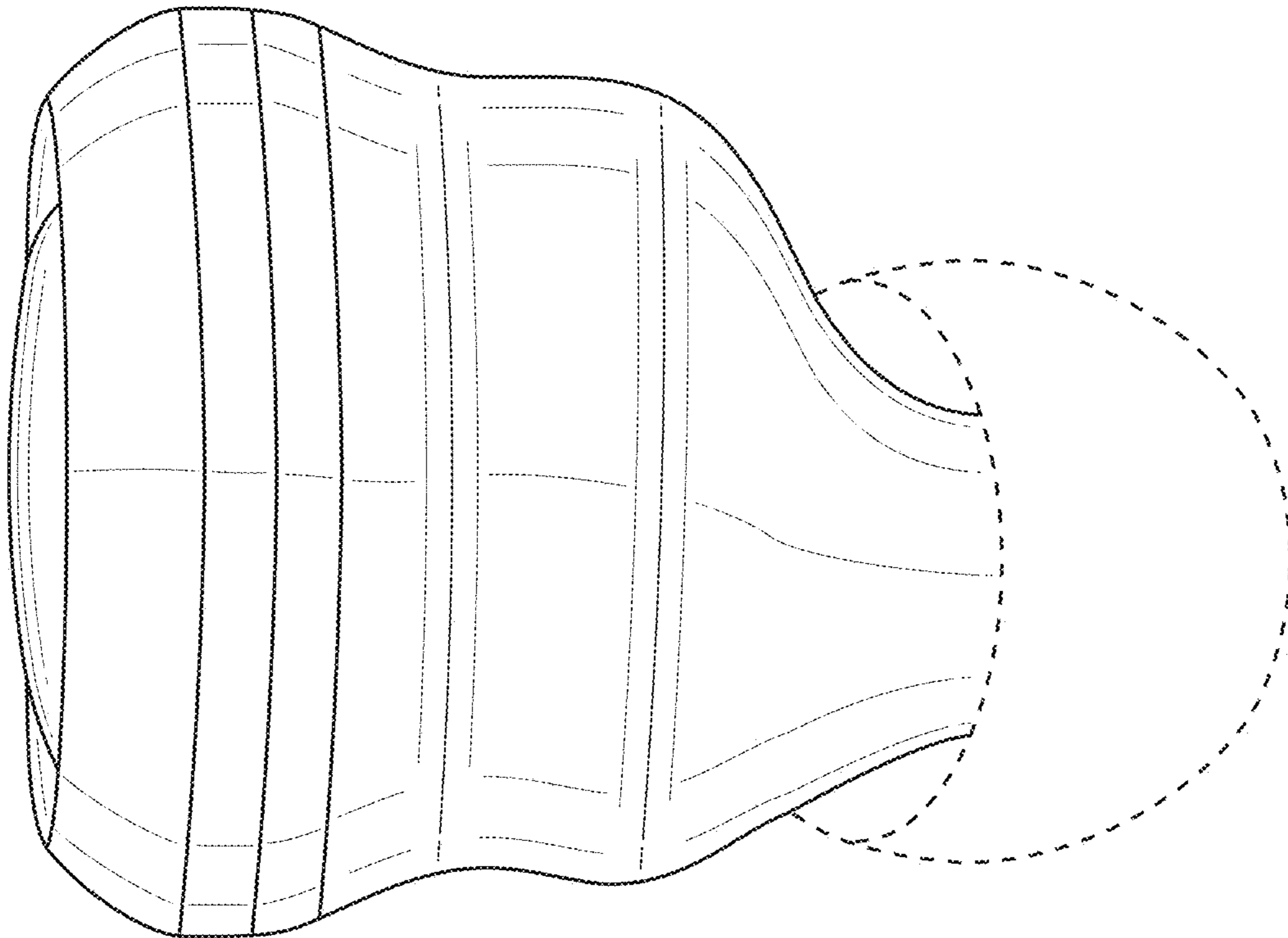


FIG. 12

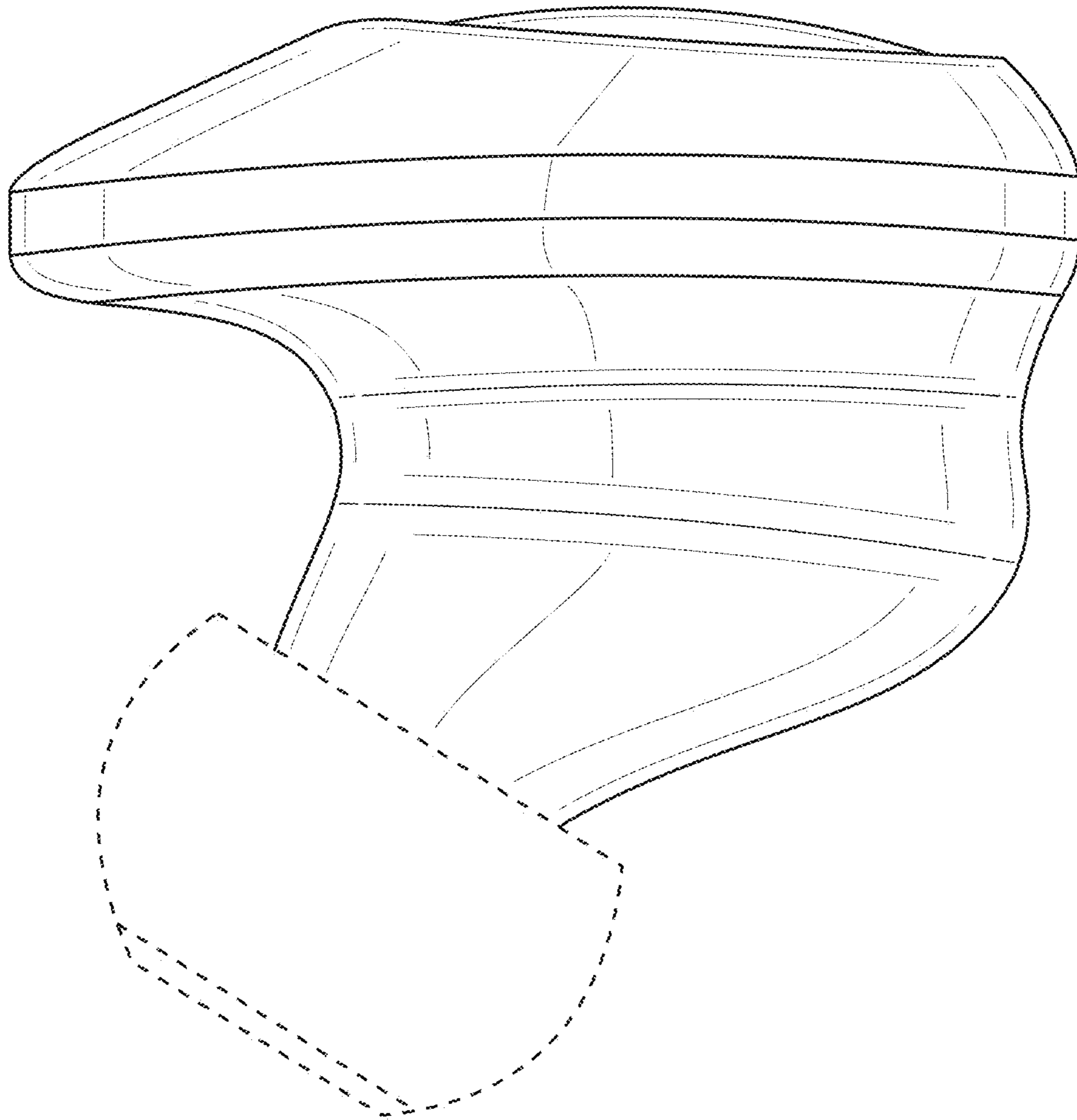


FIG. 13

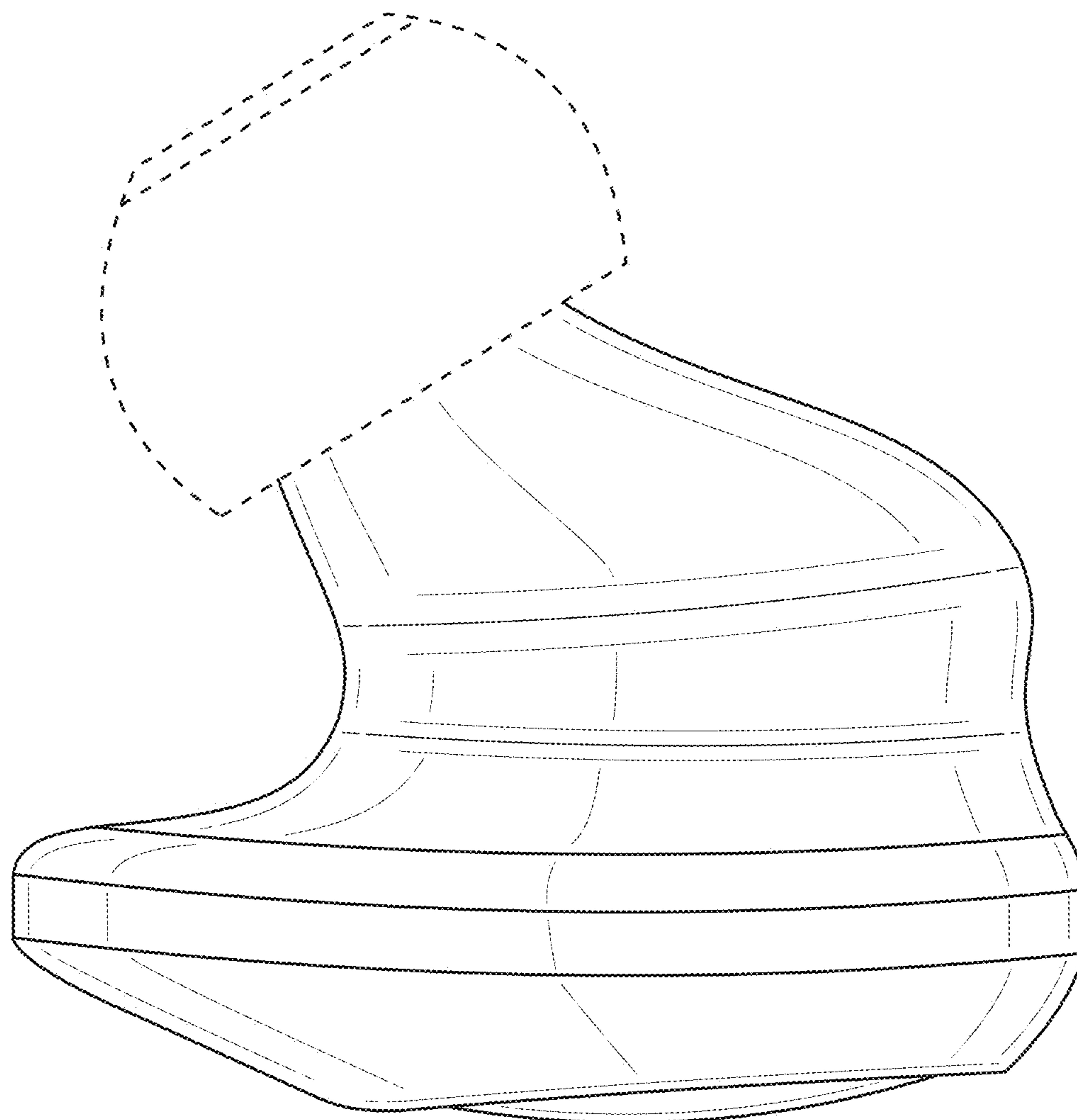


FIG. 14