



US00D905662S

(12) **United States Design Patent**  
**Gonzalez et al.**

(10) **Patent No.:** **US D905,662 S**

(45) **Date of Patent:** **\*\* Dec. 22, 2020**

(54) **SPEAKER**

(71) Applicant: **Tempus Labs**, Chicago, IL (US)

(72) Inventors: **Brianna Gonzalez**, Chicago, IL (US);  
**Scot Herbst**, Santa Cruz, CA (US);  
**Elisabeth Morris**, Santa Cruz, CA  
(US); **William Hunter**, Denver, CO  
(US)

(73) Assignee: **Tempus Labs, Inc.**, Chicago, IL (US)

(\*\*) Term: **15 Years**

(21) Appl. No.: **29/728,691**

(22) Filed: **Mar. 20, 2020**

**Related U.S. Application Data**

(63) Continuation-in-part of application No. 29/693,538,  
filed on Jun. 3, 2019.

(51) **LOC (12) Cl.** ..... **14-01**

(52) **U.S. Cl.**  
USPC ..... **D14/214**

(58) **Field of Classification Search**

USPC ..... D14/167, 168, 170–172, 188, 194–196,  
D14/204, 209.1, 210–216, 219, 221, 222,  
D14/224, 239, 496  
CPC ..... B60R 11/0217; G06F 1/1688; G10K 9/22;  
G10K 11/004; H03F 1/327; H04M 1/03;  
H04M 1/035; H04N 5/642; H04N  
21/4852; H04R 1/02; H04R 1/06; H04R  
1/021; H04R 1/025; H04R 1/026; H04R  
1/028; H04R 1/105; H04R 1/323; H04R  
1/403; H04R 1/2803; H04R 1/2834;  
H04R 5/02; H04R 7/20; H04R 9/06;  
H04R 9/025; H04R 2201/021; H04R  
2400/00; H04R 2201/07; H04R 2499/11;  
H04R 2499/13; H04R 2499/15; H04S  
3/00; H04S 7/30

See application file for complete search history.

(56) **References Cited**

U.S. PATENT DOCUMENTS

D110,333 S ‡ 7/1938 Aizic ..... D9/526  
D229,066 S ‡ 11/1973 Ingvar  
D230,489 S ‡ 2/1974 Everitt ..... D14/21  
D242,259 S \* 11/1976 Babb ..... H04R 1/2819  
D14/214

(Continued)

FOREIGN PATENT DOCUMENTS

EM 000649074-0001 ‡ 1/2007  
EM 000649074-0001 S 1/2007

(Continued)

*Primary Examiner* — Keli L Hill

(74) *Attorney, Agent, or Firm* — Quarles & Brady LLP

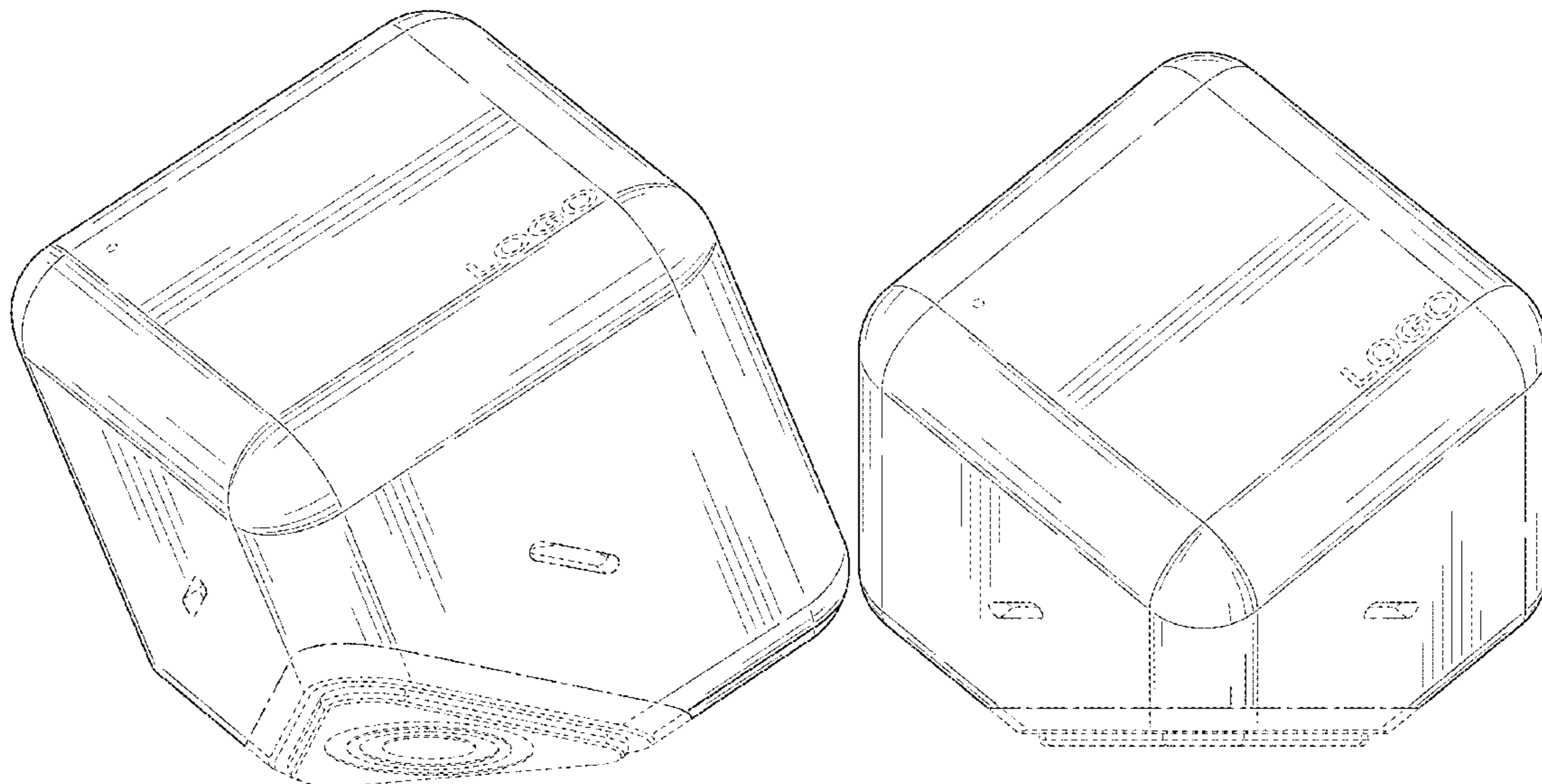
(57) **CLAIM**

The ornamental design for a speaker, as shown and  
described.

**DESCRIPTION**

FIG. 1 is an isometric view of a bottom, front, and left side  
of an ornamental design for a speaker;  
FIG. 2 is a front elevational view of the speaker of FIG. 1;  
FIG. 3 is a rear elevational view of the speaker of FIG. 1;  
FIG. 4 is a left side elevational view of the speaker of FIG.  
1;  
FIG. 5 is a right side elevational view of the speaker of FIG.  
1;  
FIG. 6 is a top plan view of the speaker of FIG. 1; and,  
FIG. 7 is a bottom plan view of the speaker of FIG. 1.  
The dash-dash-dash lines are included for the purpose of  
illustrating portions that form no part of the claimed design.  
The dash-dot-dash lines are included for the purpose of  
illustrating boundary lines and form no part of the claimed  
design.

**1 Claim, 7 Drawing Sheets**



(56)

References Cited

U.S. PATENT DOCUMENTS

D247,489 S \* 3/1978 Jabara ..... D14/214  
 D278,032 S † 3/1985 de Mourgues ..... D9/435  
 D294,494 S † 3/1988 Kountz et al.  
 D305,659 S \* 1/1990 Fuke ..... D14/171  
 D324,685 S † 3/1992 Strohbeen  
 D324,686 S † 3/1992 Strohbeen  
 D335,474 S † 5/1993 Patterson, Jr. .... D14/21  
 D406,845 S † 3/1999 Goto  
 D430,565 S † 9/2000 Crane, Jr. .... 273/14  
 D435,538 S † 12/2000 Osborne ..... D14/21  
 D442,165 S † 5/2001 Cho ..... D14/21  
 D478,811 S † 8/2003 Huang ..... D3/294  
 D500,297 S † 12/2004 Chan ..... D14/14  
 D557,256 S † 12/2007 Joseph ..... D14/21  
 D565,544 S † 4/2008 Han ..... D14/21  
 D586,777 S † 2/2009 Joseph ..... D10/2  
 D612,837 S † 3/2010 Murray ..... D14/21  
 D626,937 S † 11/2010 Moore ..... D14/21  
 D626,938 S † 11/2010 Moore et al.  
 D630,632 S † 1/2011 Puls ..... D14/24  
 D638,821 S † 5/2011 Hoehn ..... D14/21  
 D639,774 S † 6/2011 Rader ..... D14/20  
 D644,204 S † 8/2011 Poandl ..... D14/21  
 D657,348 S † 4/2012 Shim ..... D14/21  
 D676,421 S † 2/2013 Garrett  
 D690,280 S † 9/2013 Schul ..... D14/16  
 D691,983 S † 10/2013 Vaughan ..... D14/17  
 D692,411 S † 10/2013 Joseph ..... D14/21  
 D711,237 S † 8/2014 Fleischhacker ..... D9/526  
 D714,249 S † 9/2014 Carney et al.  
 D718,275 S † 11/2014 Shim ..... D14/21  
 D718,714 S † 12/2014 Si ..... D13/11  
 D718,715 S † 12/2014 Si ..... D13/11  
 D723,479 S † 3/2015 Lee ..... D14/12  
 D725,624 S † 3/2015 Carney ..... D14/14  
 8,967,323 B1 † 3/2015 Grenier  
 D734,895 S † 7/2015 Liu ..... D28/85  
 D735,415 S \* 7/2015 Thompson ..... D28/83  
 D747,697 S † 1/2016 Wildner ..... D14/20

D750,046 S † 2/2016 Wong ..... D14/21  
 D754,101 S † 4/2016 McManigal ..... D14/21  
 D754,102 S † 4/2016 Sun  
 D754,103 S † 4/2016 Fischer et al.  
 D755,160 S † 5/2016 Ponce ..... D14/21  
 D758,345 S † 6/2016 Fujioka  
 D761,230 S † 7/2016 Si ..... D14/21  
 D763,819 S † 8/2016 Silvera ..... D14/20  
 D763,825 S † 8/2016 Zamir ..... D14/21  
 D771,018 S † 11/2016 Espinosa ..... D14/21  
 D772,160 S † 11/2016 Roberts ..... D13/11  
 D779,455 S † 2/2017 Balcerzak ..... D14/17  
 D787,513 S † 5/2017 Basil  
 D791,214 S † 7/2017 Park ..... D16/23  
 D800,095 S † 10/2017 Yao  
 D808,337 S † 1/2018 Roberts ..... D13/11  
 D811,329 S † 2/2018 Roberts ..... D13/11  
 D815,950 S † 4/2018 Zhang ..... D9/526  
 D816,062 S † 4/2018 Park et al.  
 D819,593 S \* 6/2018 Lee ..... D14/197  
 D826,206 S † 8/2018 Elmieh ..... D14/20  
 D856,976 S † 8/2019 Kang ..... D14/21  
 D865,755 S \* 11/2019 Yang ..... D14/301  
 D868,737 S \* 12/2019 Roberts ..... D14/210  
 D874,432 S † 2/2020 Savage ..... D14/21  
 2009/0226019 A1 \* 9/2009 Koren ..... H04R 1/2819  
 381/345

FOREIGN PATENT DOCUMENTS

EM 000955091-0001 S 6/2008  
 EM 002008904-0001 S 3/2012  
 EM 001376792-0002 S 7/2013  
 EM 002473678-0001 S 5/2014  
 EM 002717926-0001 S 6/2015  
 EM 002717926-0002 S 6/2015  
 EM 003160787-0001 S 5/2016  
 HK 1501623.9M001 10/2015  
 JP 1582820 S 7/2017  
 TW D122039 3/2008

\* cited by examiner  
 † imported from a related application

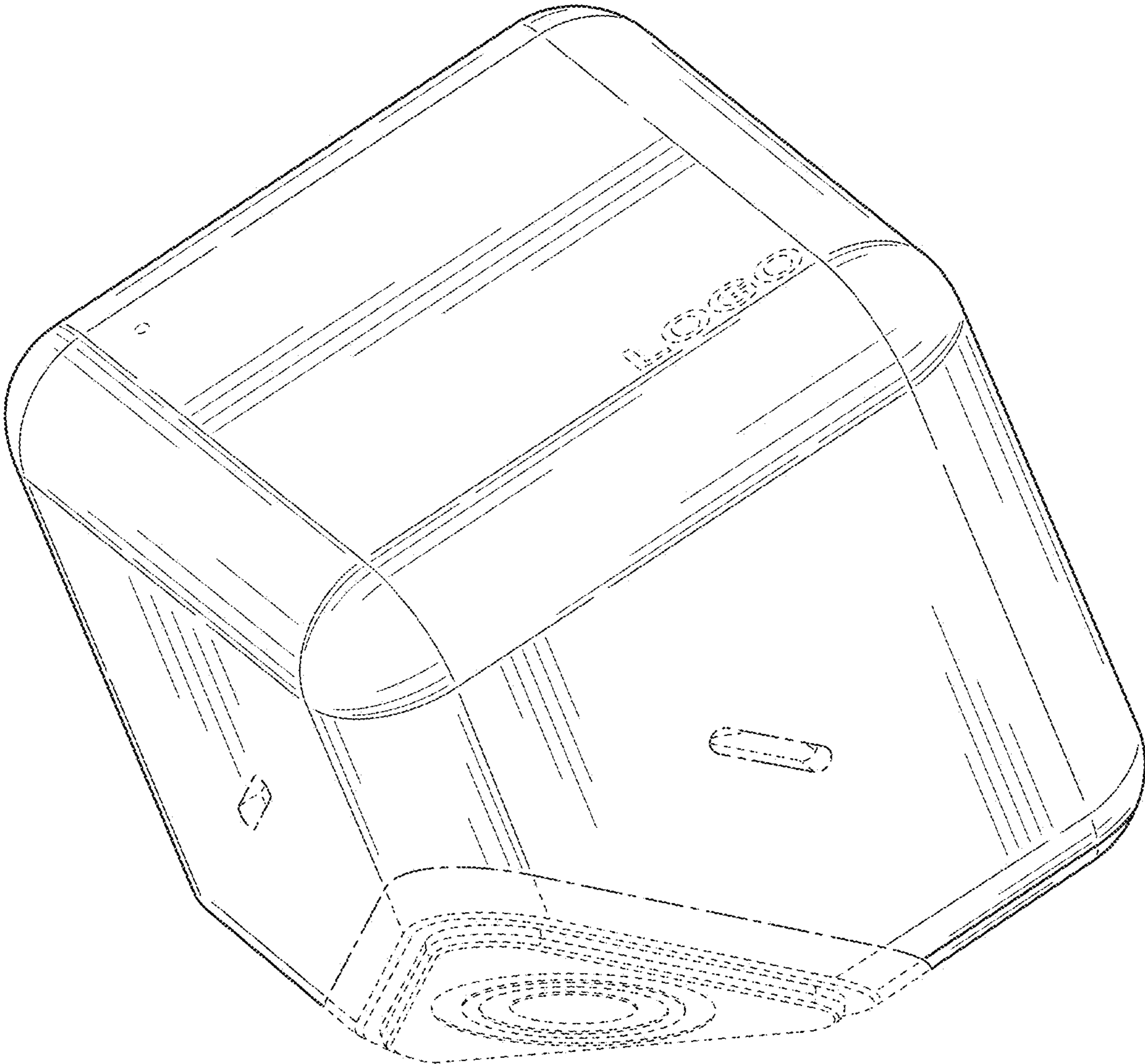


FIG. 1

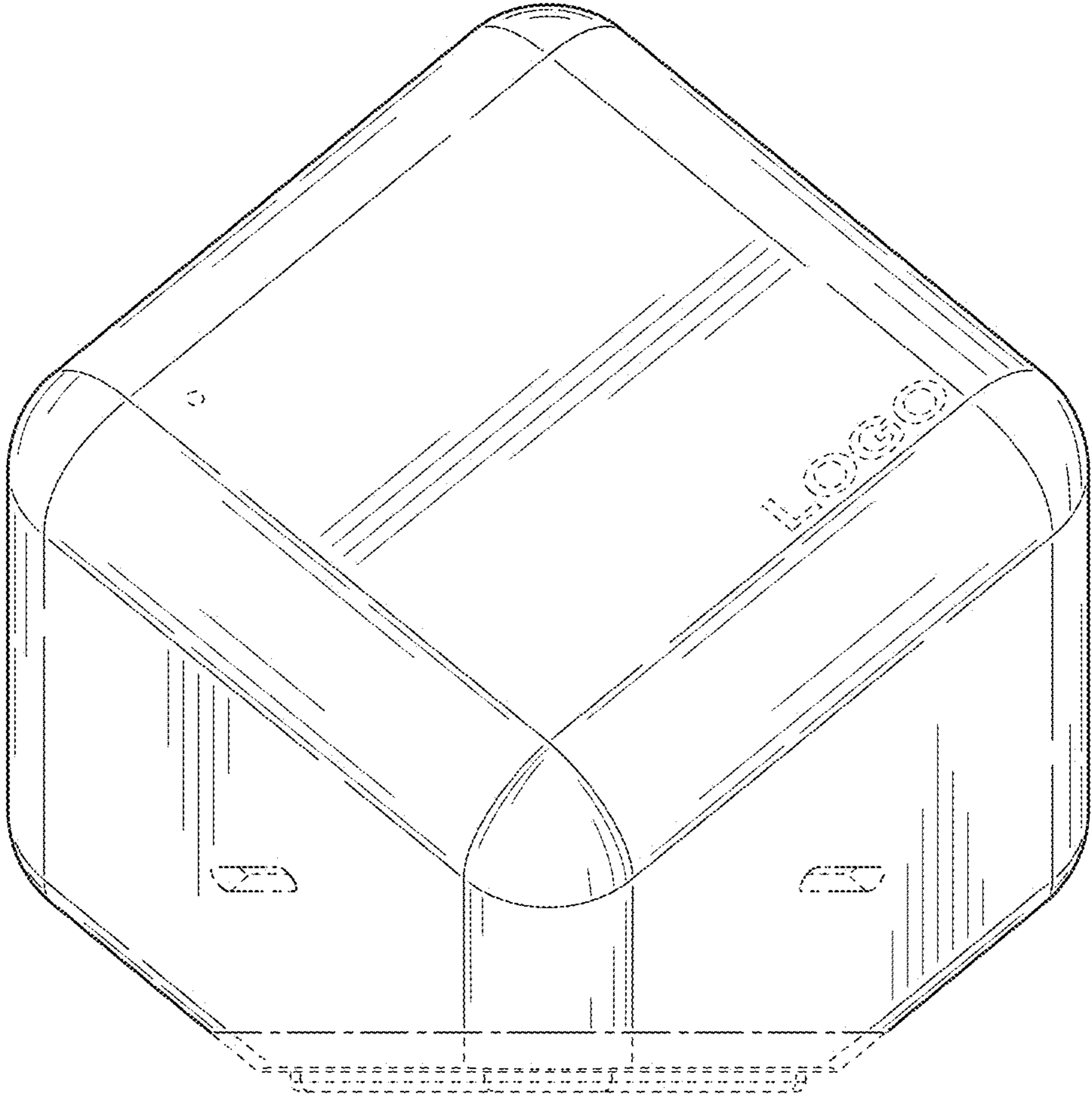


FIG. 2

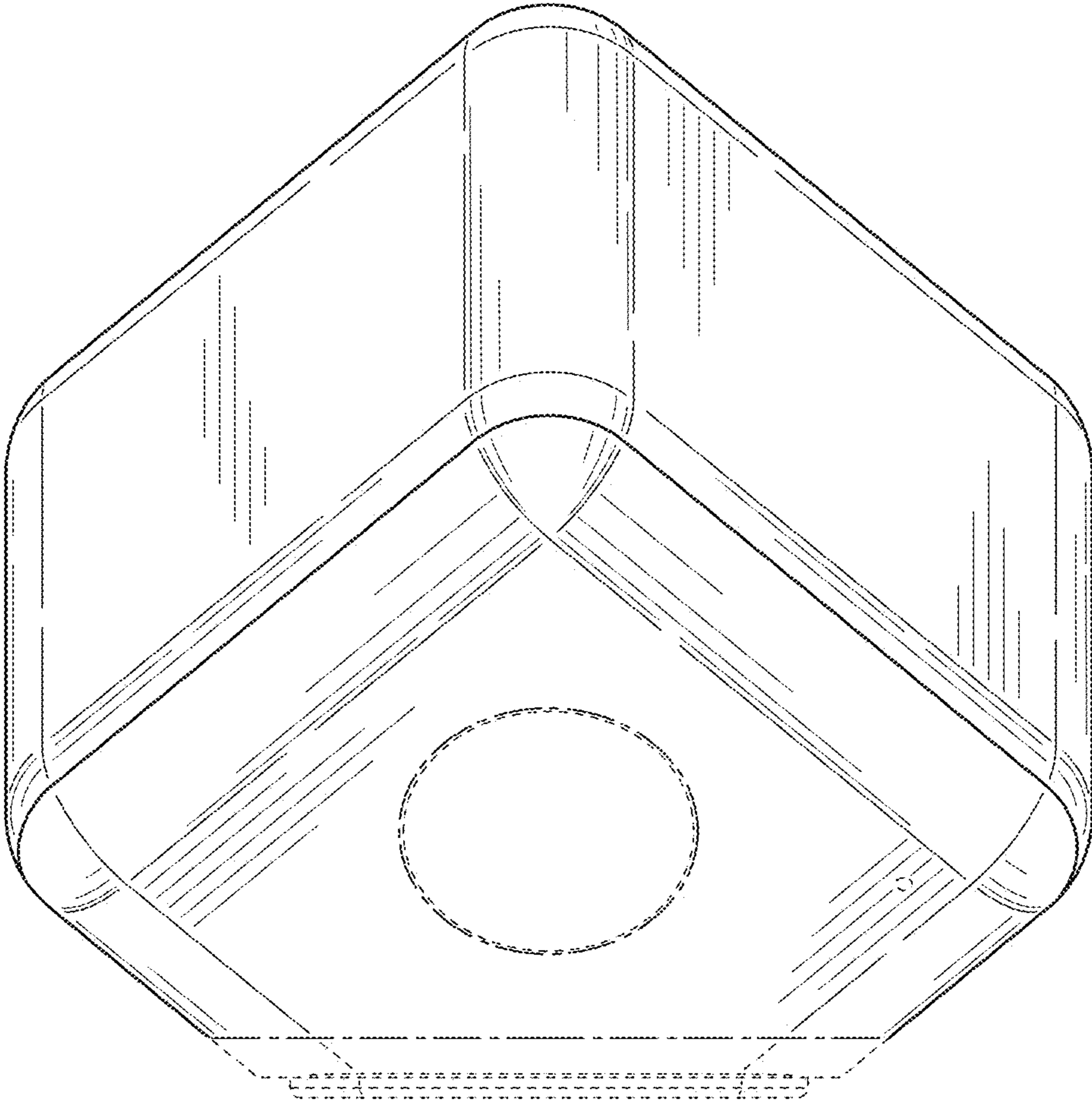


FIG. 3

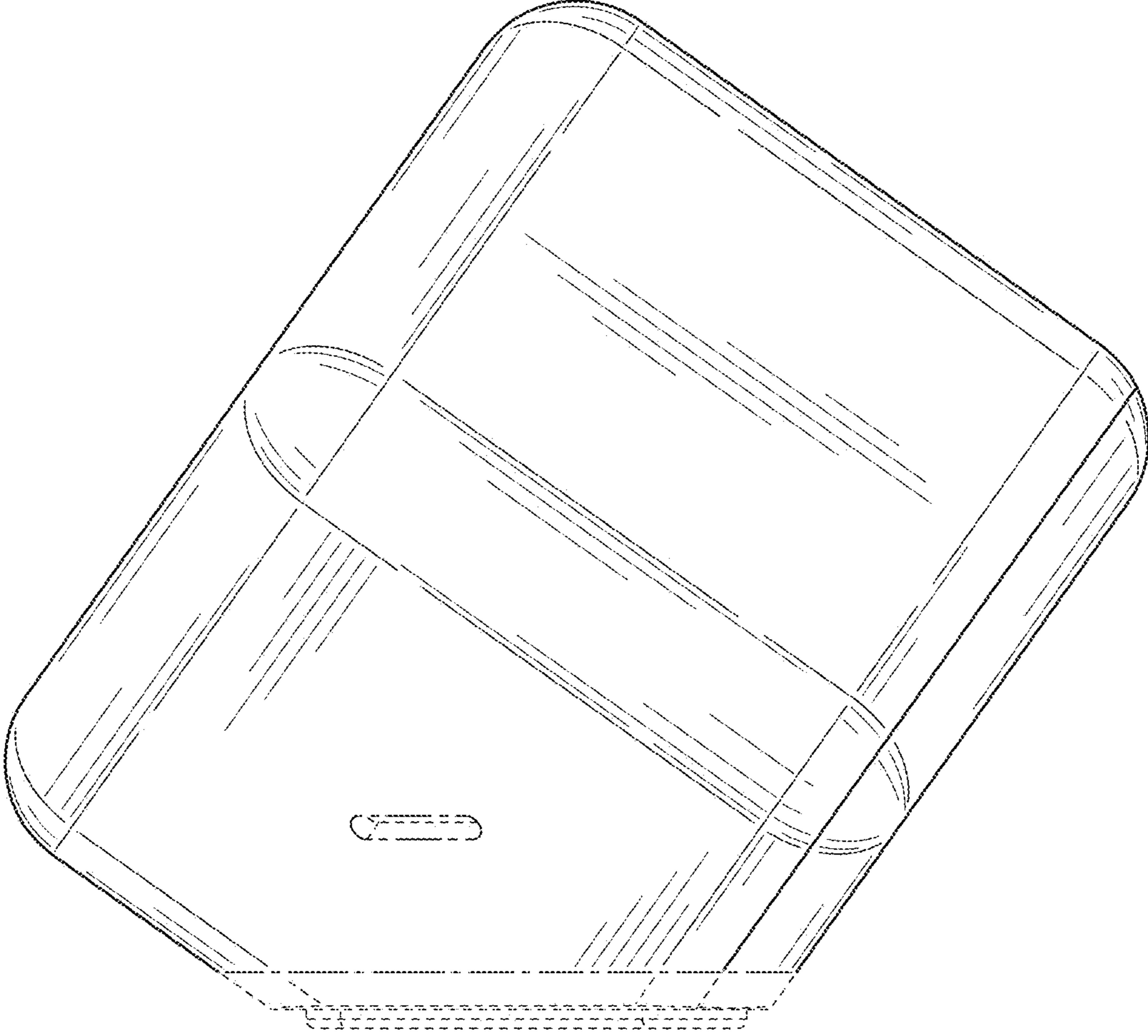


FIG. 4

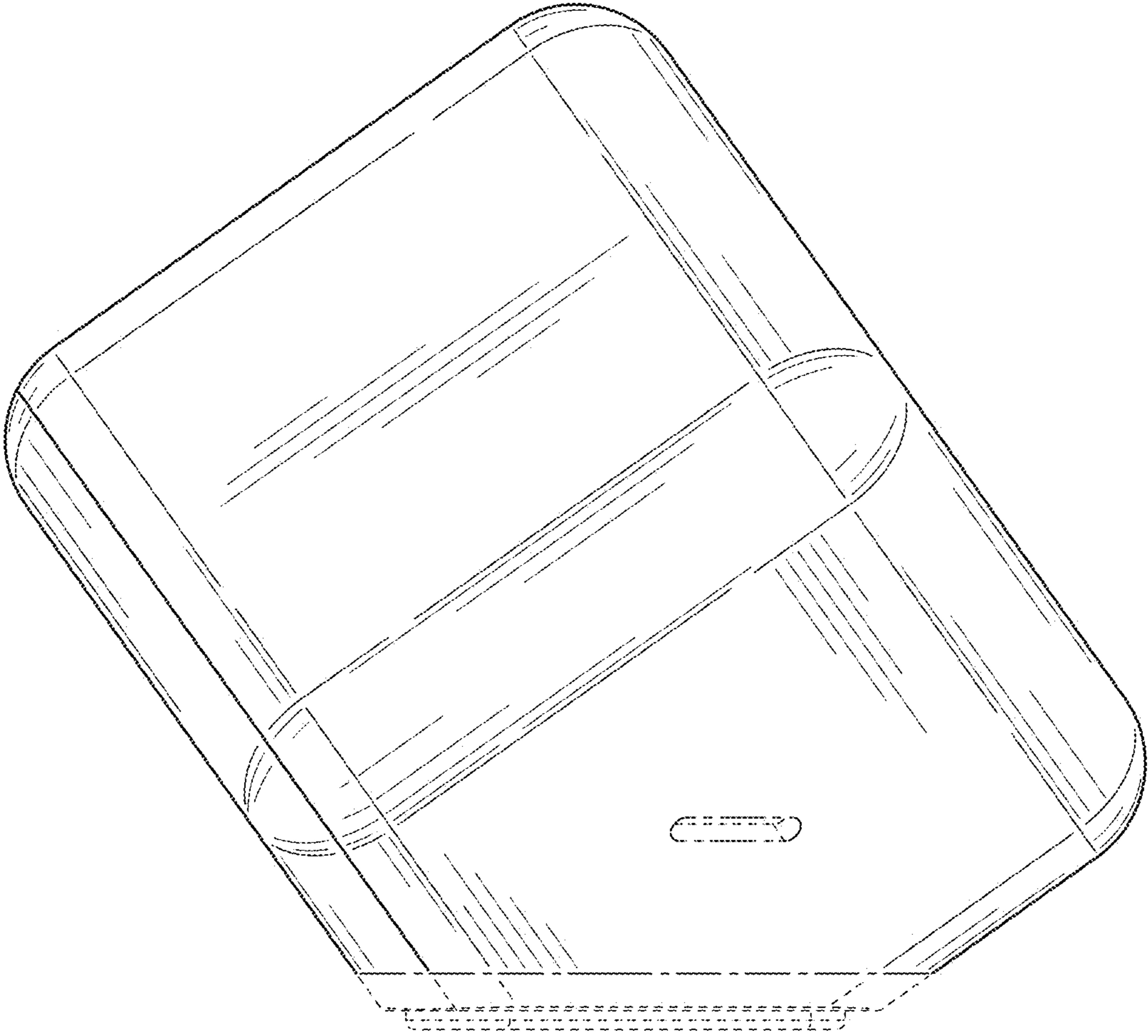


FIG. 5

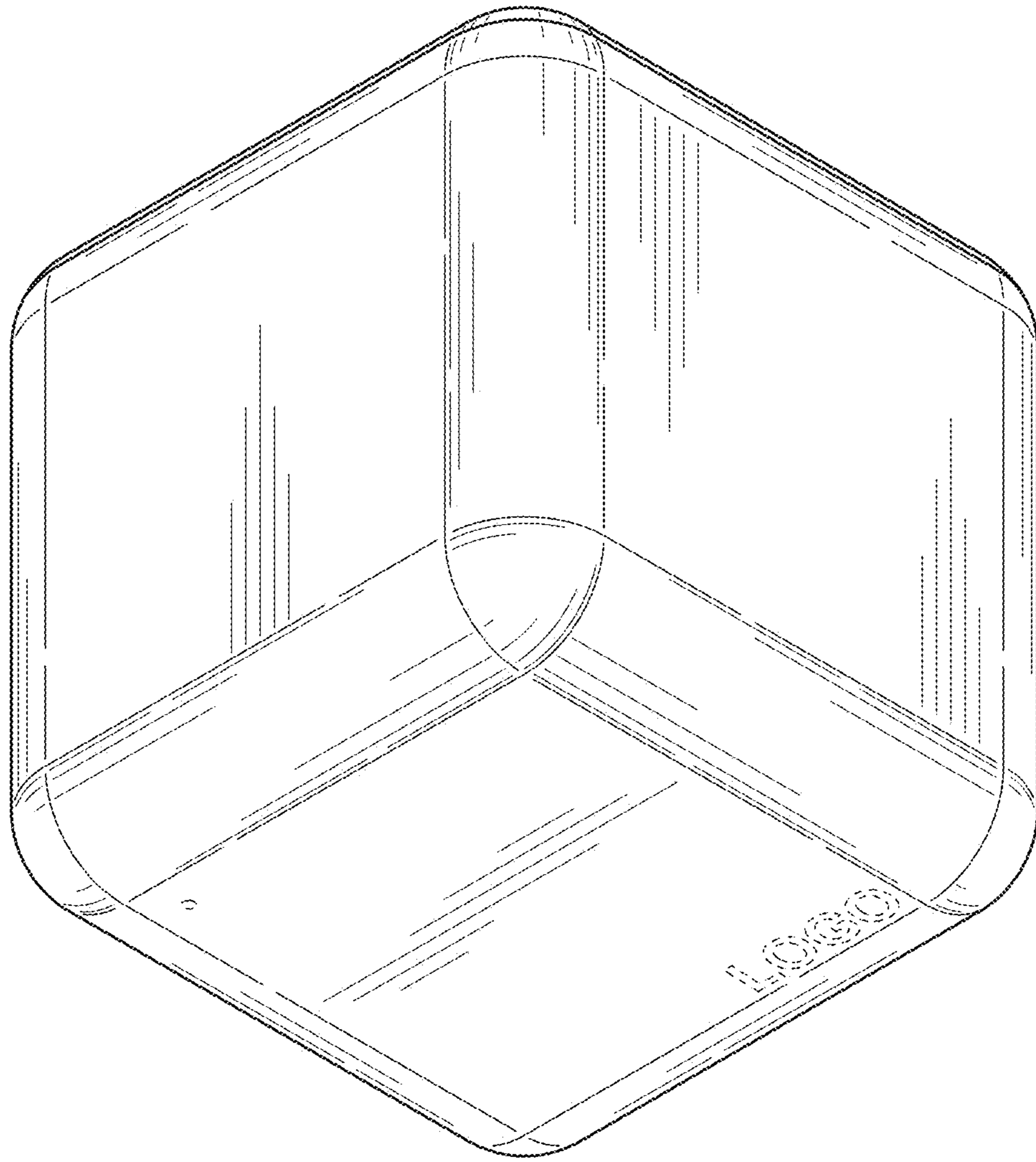


FIG. 6



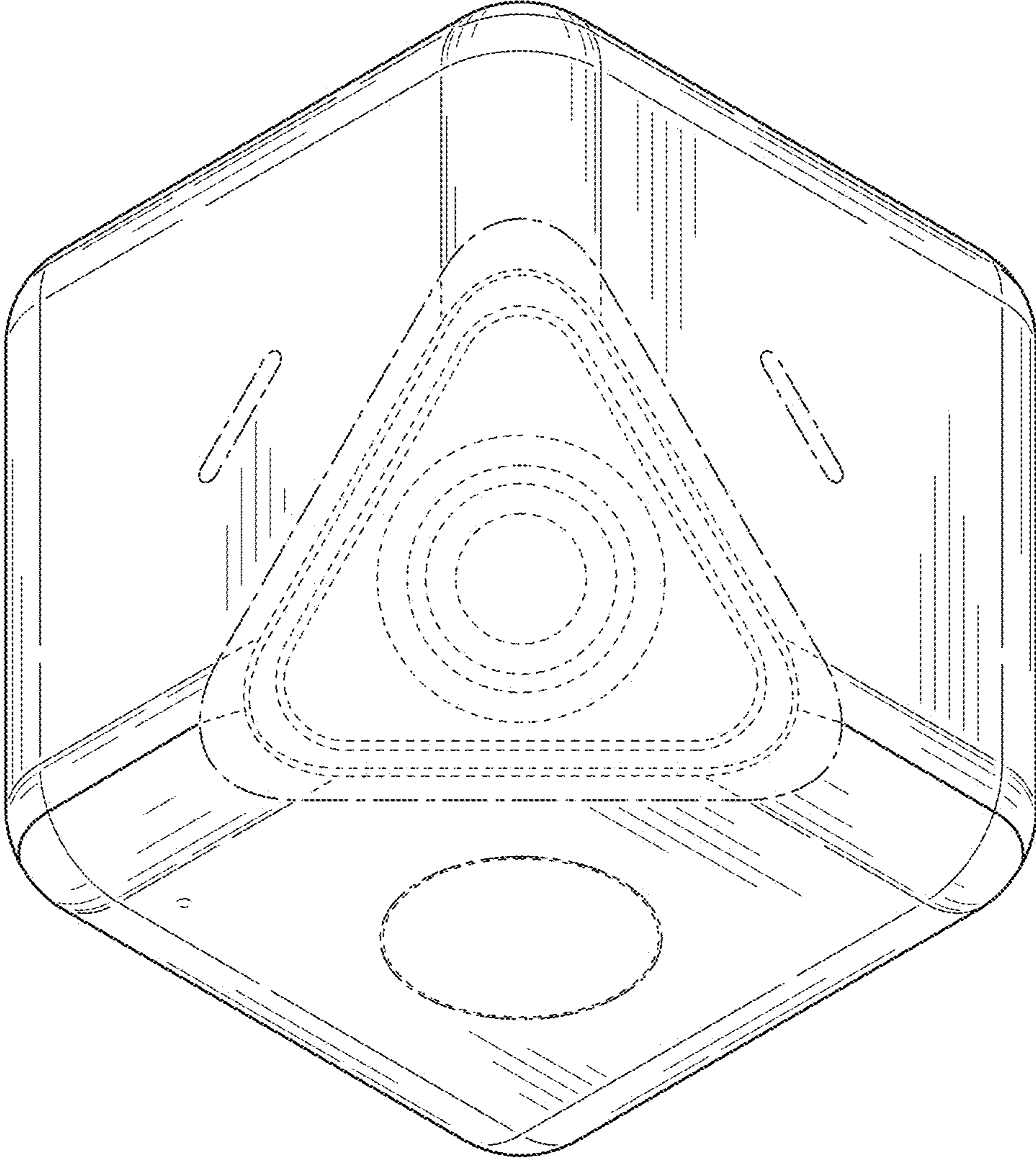


FIG. 7