



US00D905661S

(12) **United States Design Patent**  
**Kirkland**

(10) **Patent No.:** **US D905,661 S**

(45) **Date of Patent:** **\*\* Dec. 22, 2020**

(54) **DRIVER SIDE SPEAKER ENCLOSURE**

(71) Applicant: **Gerald Kirkland**, Kaufman, TX (US)

(72) Inventor: **Gerald Kirkland**, Kaufman, TX (US)

(\*\*) Term: **15 Years**

(21) Appl. No.: **29/705,100**

(22) Filed: **Sep. 10, 2019**

**Related U.S. Application Data**

(63) Continuation-in-part of application No. 29/631,956, filed on Jan. 4, 2018, now Pat. No. Des. 872,708.

(51) **LOC (12) Cl.** ..... **14-01**

(52) **U.S. Cl.**  
USPC ..... **D14/214**

(58) **Field of Classification Search**

USPC ..... D14/167, 168, 170–172, 188, 194–196,  
D14/204, 209.1, 210–216, 219, 221, 222,  
D14/224, 239, 496

CPC ..... B60R 11/0217; G06F 1/1688; G10K 9/22;  
G10K 11/004; H03F 1/327; H04M 1/03;  
H04M 1/035; H04N 5/642; H04N  
21/4852; H04R 1/02; H04R 1/06; H04R  
1/021; H04R 1/025; H04R 1/026; H04R  
1/028; H04R 1/105; H04R 1/323; H04R  
1/403; H04R 1/2803; H04R 1/2834;  
H04R 5/02; H04R 7/20; H04R 9/06;  
H04R 9/025; H04R 2201/021; H04R  
2400/00; H04R 2201/07; H04R 2499/11;  
H04R 2499/13; H04R 2499/15; H04S  
3/00; H04S 7/30

See application file for complete search history.

(56) **References Cited**

**U.S. PATENT DOCUMENTS**

D650,358 S \* 12/2011 Chen ..... D14/215  
D675,191 S \* 1/2013 Chen ..... D14/215

D763,824 S \* 8/2016 Kaplan ..... D14/215  
D870,073 S \* 12/2019 Kirkland ..... D14/214  
D872,708 S \* 1/2020 Kirkland ..... D14/214

\* cited by examiner

*Primary Examiner* — Keli L Hill

(74) *Attorney, Agent, or Firm* — William Lovin & Assoc.,  
LLC; William R. Lovin

(57) **CLAIM**

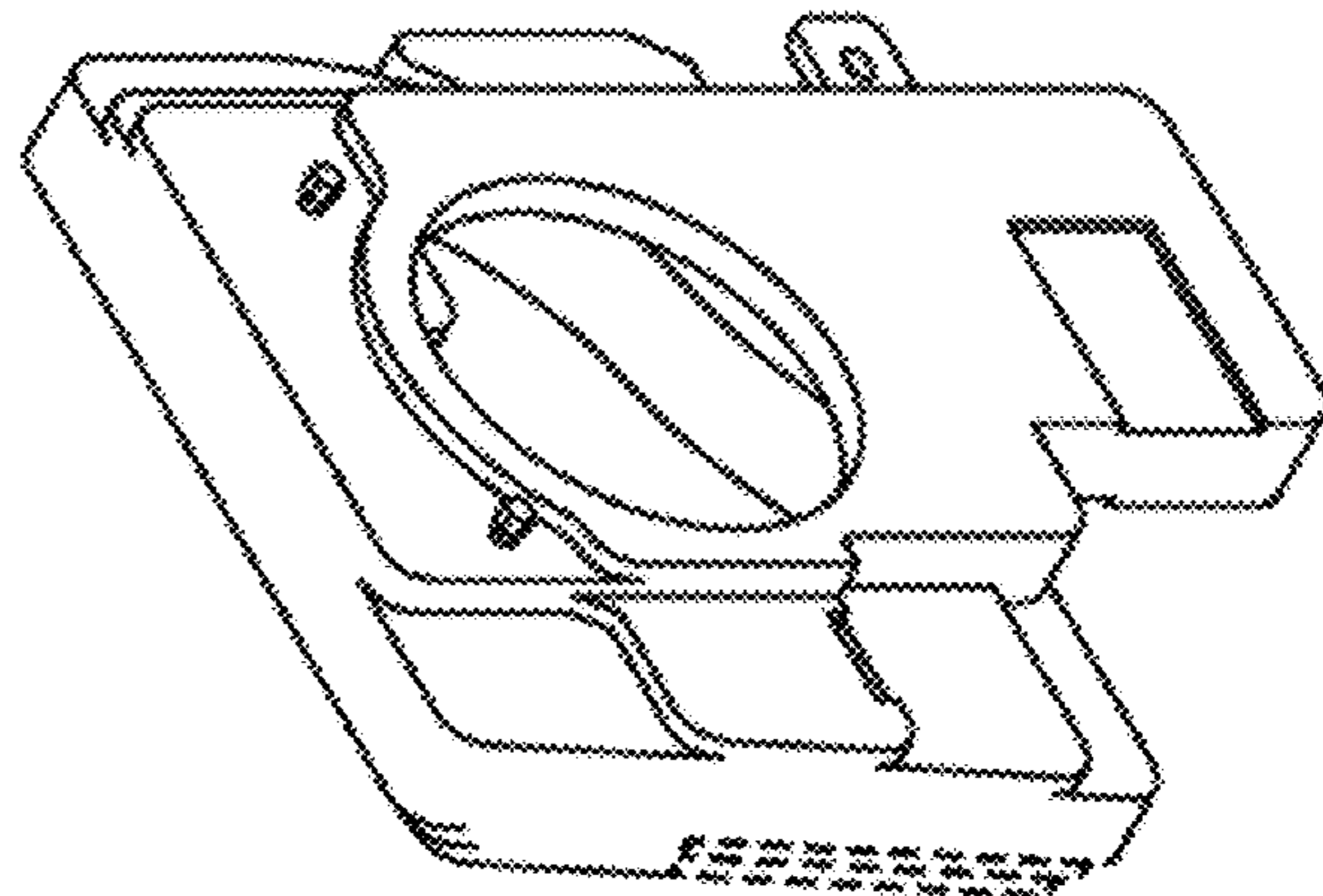
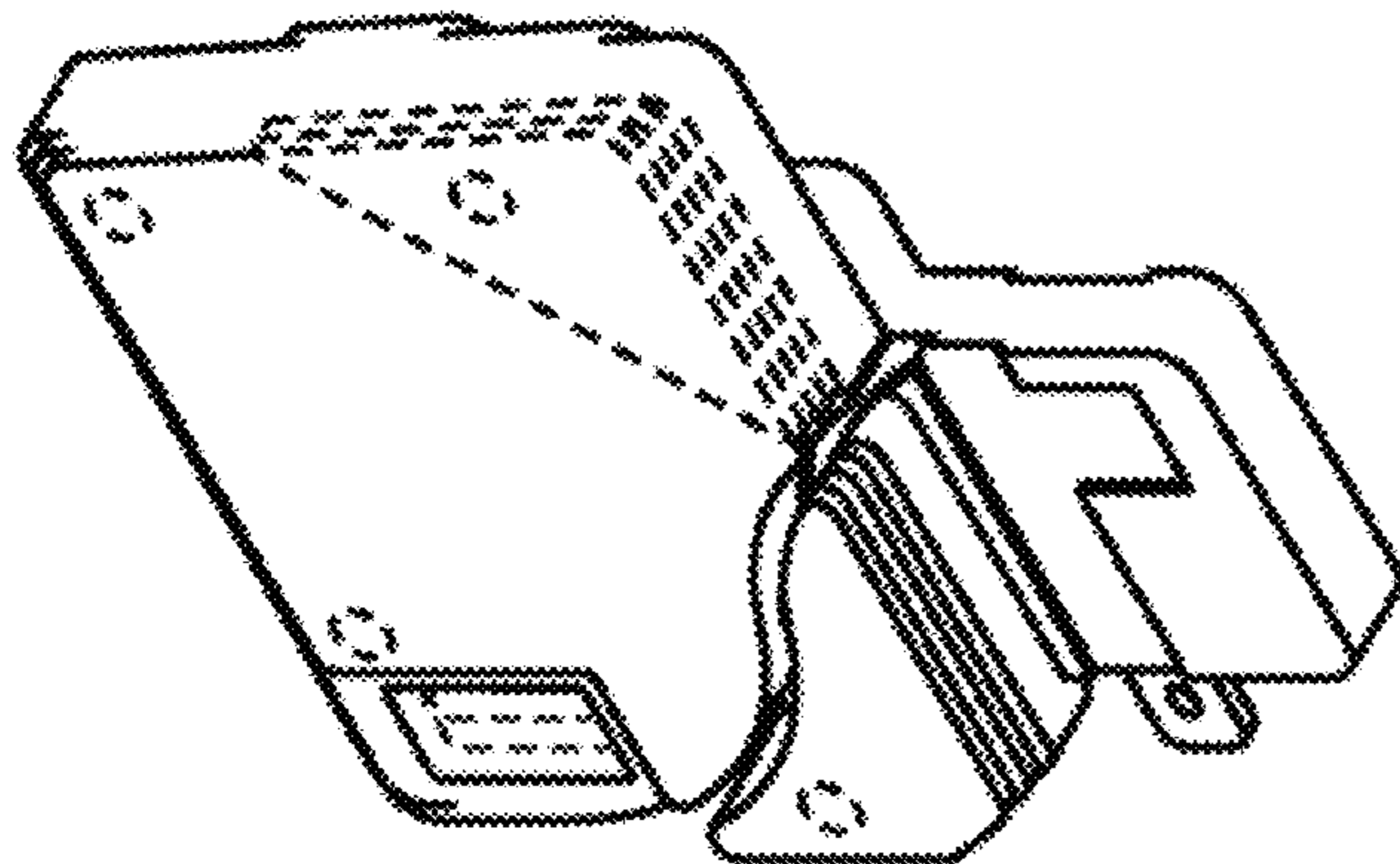
The ornamental design for a driver side speaker enclosure,  
as shown and described.

**DESCRIPTION**

FIG. 1 is a bottom view of the speaker enclosure in accordance with the present invention;  
FIG. 2 is a view of the right edge, top is up, thereof;  
FIG. 3 is a view of the rear edge, top is to the right, thereof;  
FIG. 4 is a view of the left edge, top is up, thereof;  
FIG. 5 is a view of the front edge, top is to the left, thereof;  
FIG. 6 is a first bottom perspective view thereof;  
FIG. 7 is a second bottom perspective view thereof;  
FIG. 8 is a third bottom perspective view thereof;  
FIG. 9 is a fourth bottom perspective view thereof;  
FIG. 10 is top view thereof;  
FIG. 11 is a first top perspective view thereof;  
FIG. 12 is a second top perspective view thereof;  
FIG. 13 is a third top perspective view thereof; and,  
FIG. 14 is a fourth top perspective view thereof.

The broken lines shown at the corner of the invention, diagonally across the top of the invention and along the outer edges of the invention in FIGS. 1-3, 6-8 and 12-14 represent the bounds of the claimed design while all other broken lines are included for the purpose of illustrating portions of the driver side speaker enclosure; all of the broken lines form no part of the claimed design.

**1 Claim, 2 Drawing Sheets**



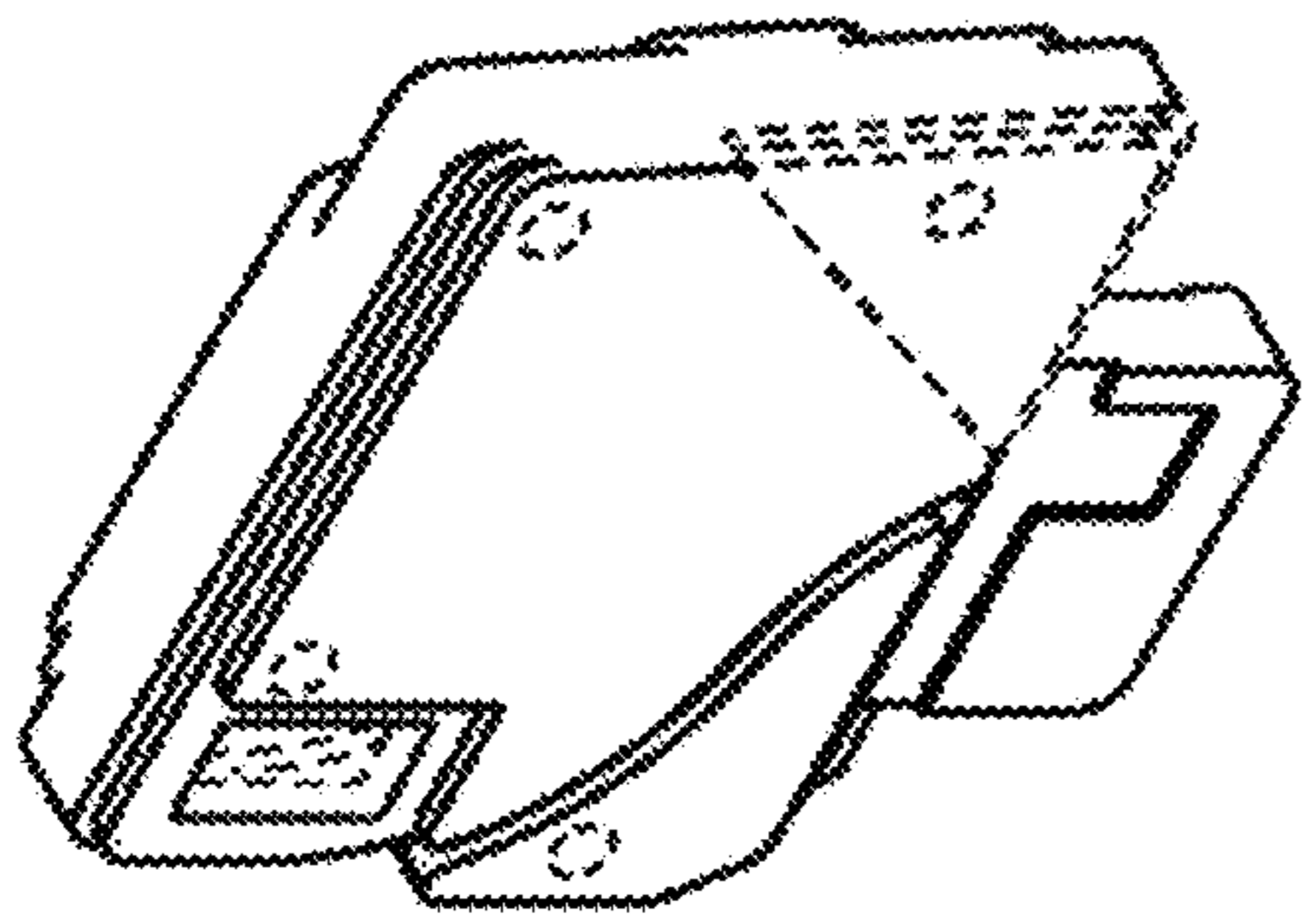


Fig. 6

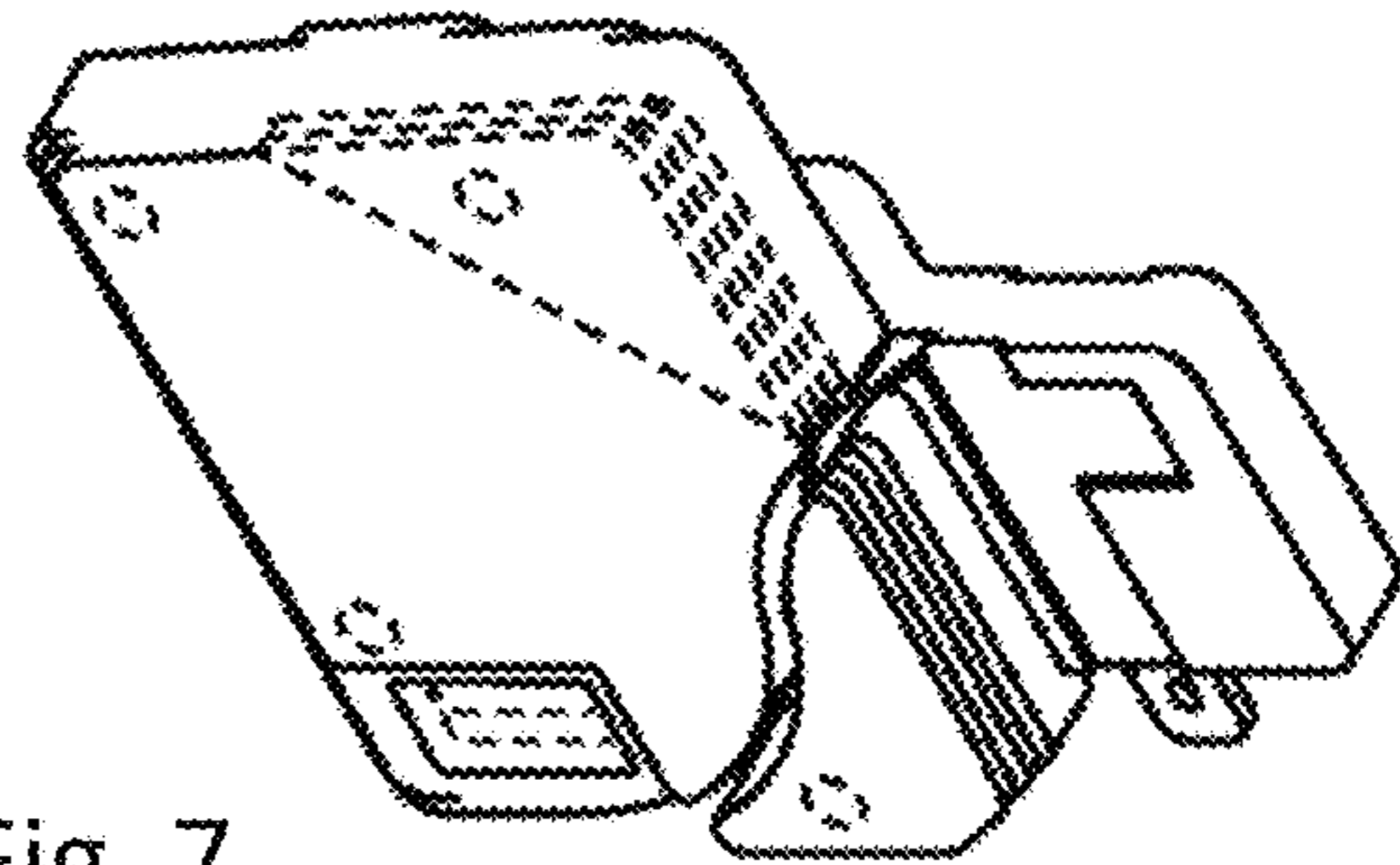


Fig. 7

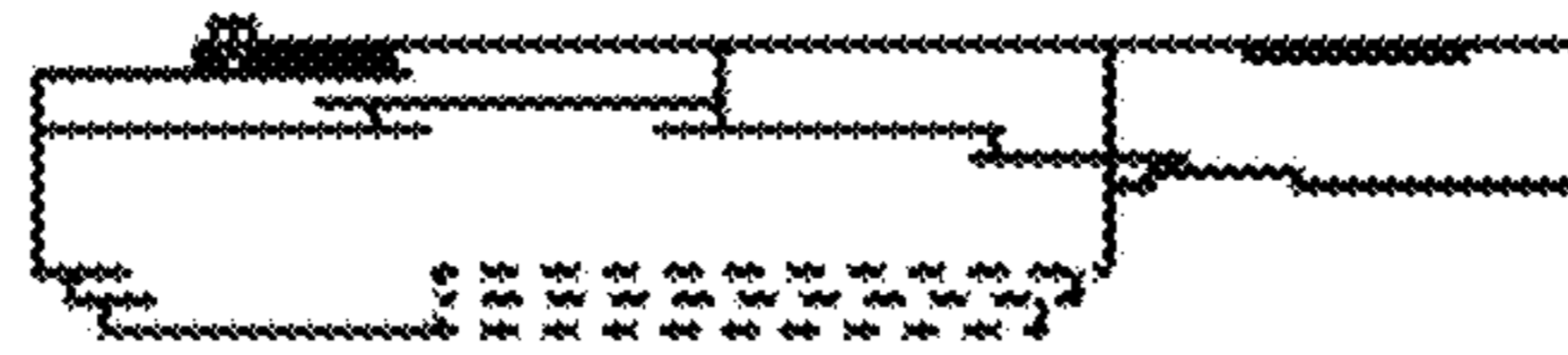


Fig. 2

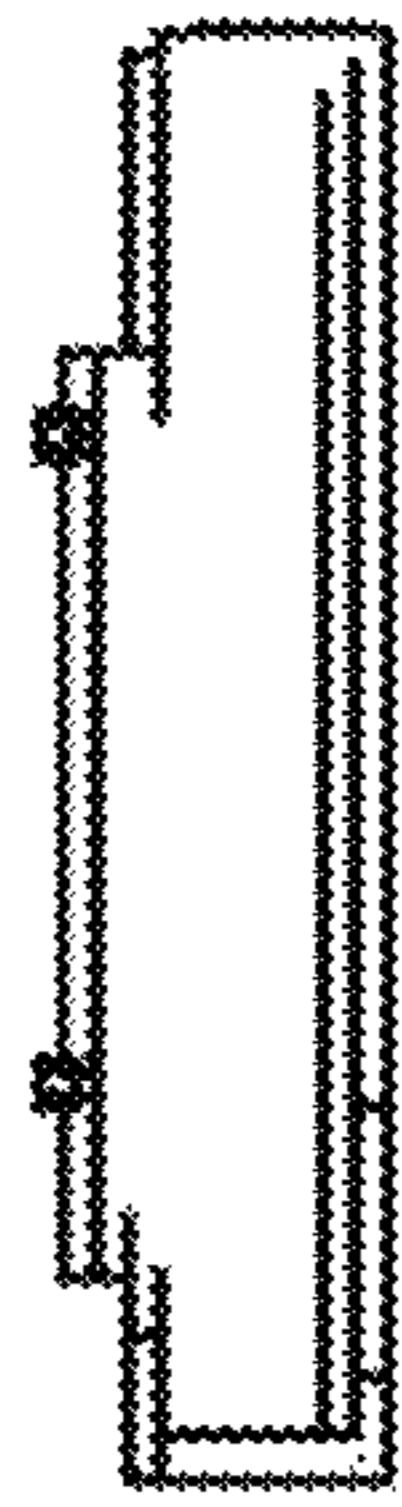


Fig. 5

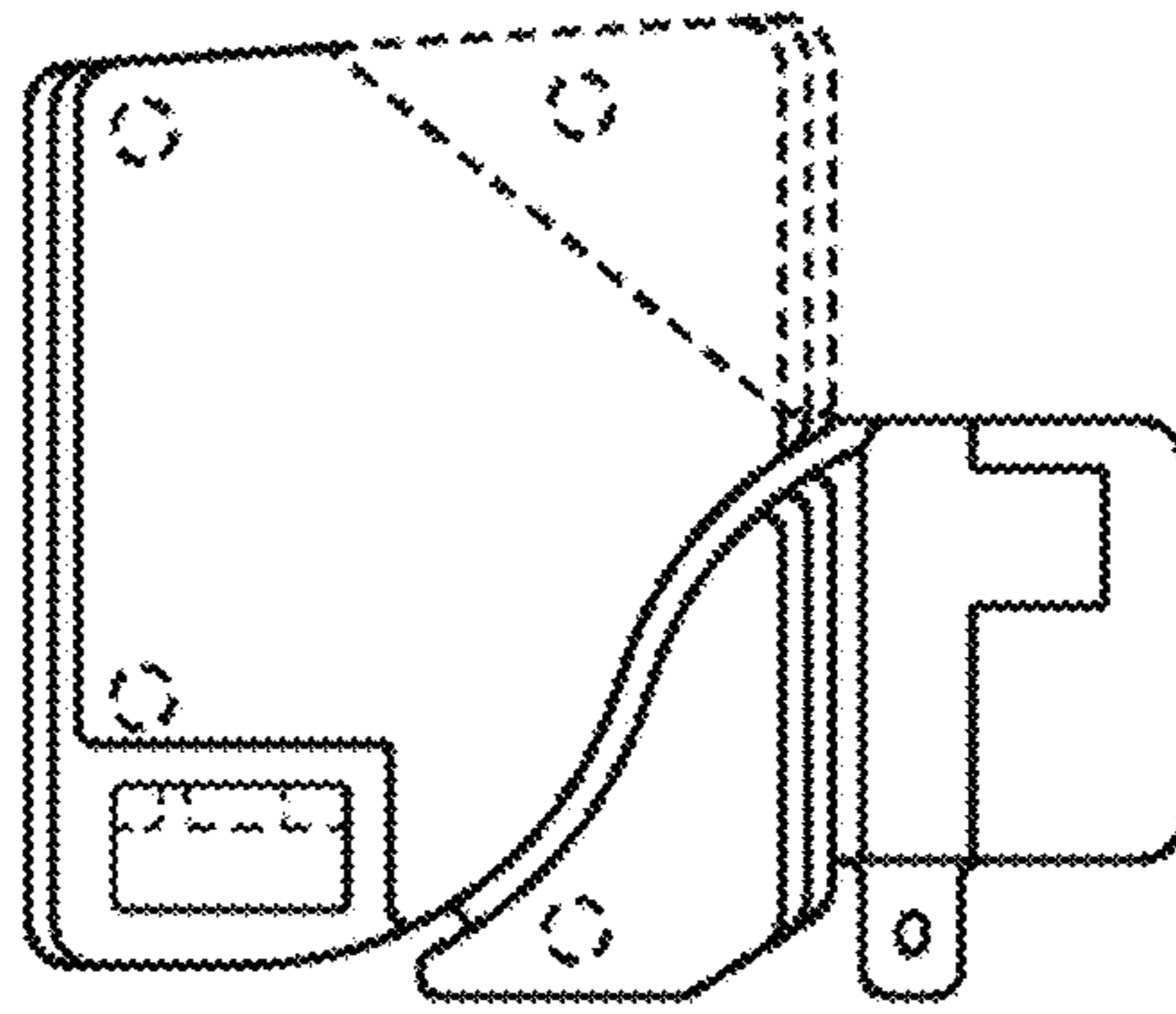


Fig. 1

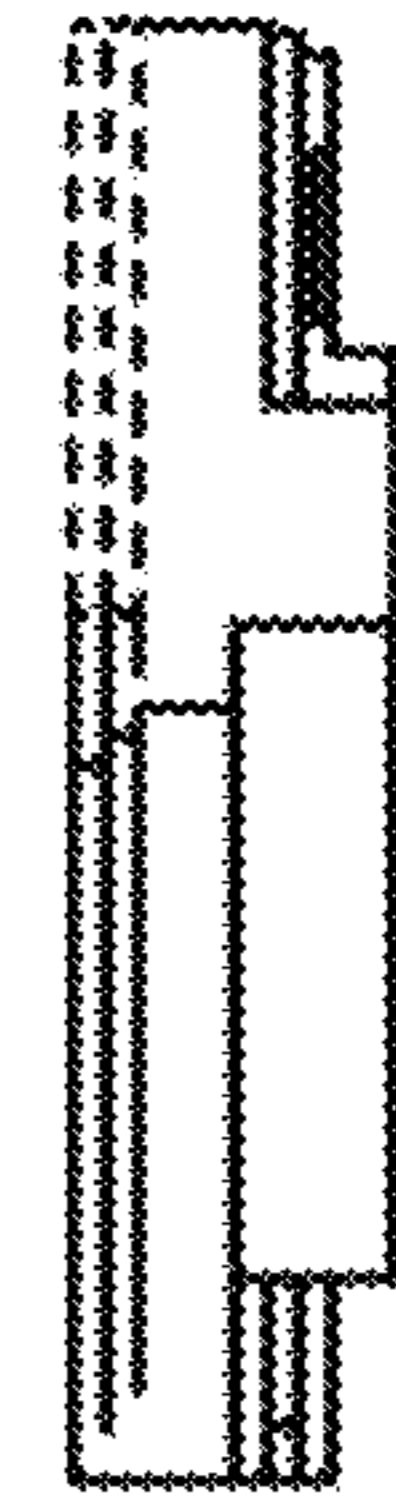


Fig. 3

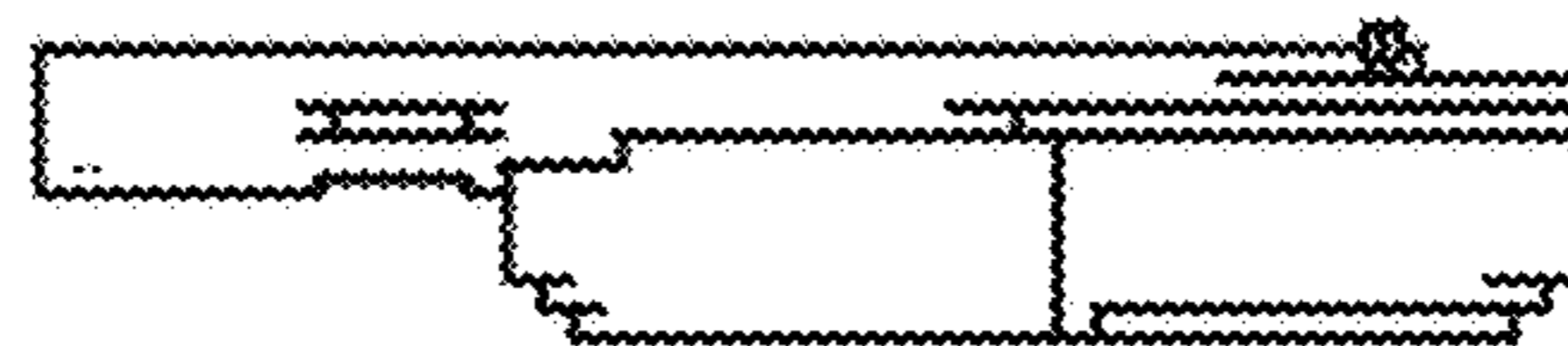


Fig. 4

Fig. 9

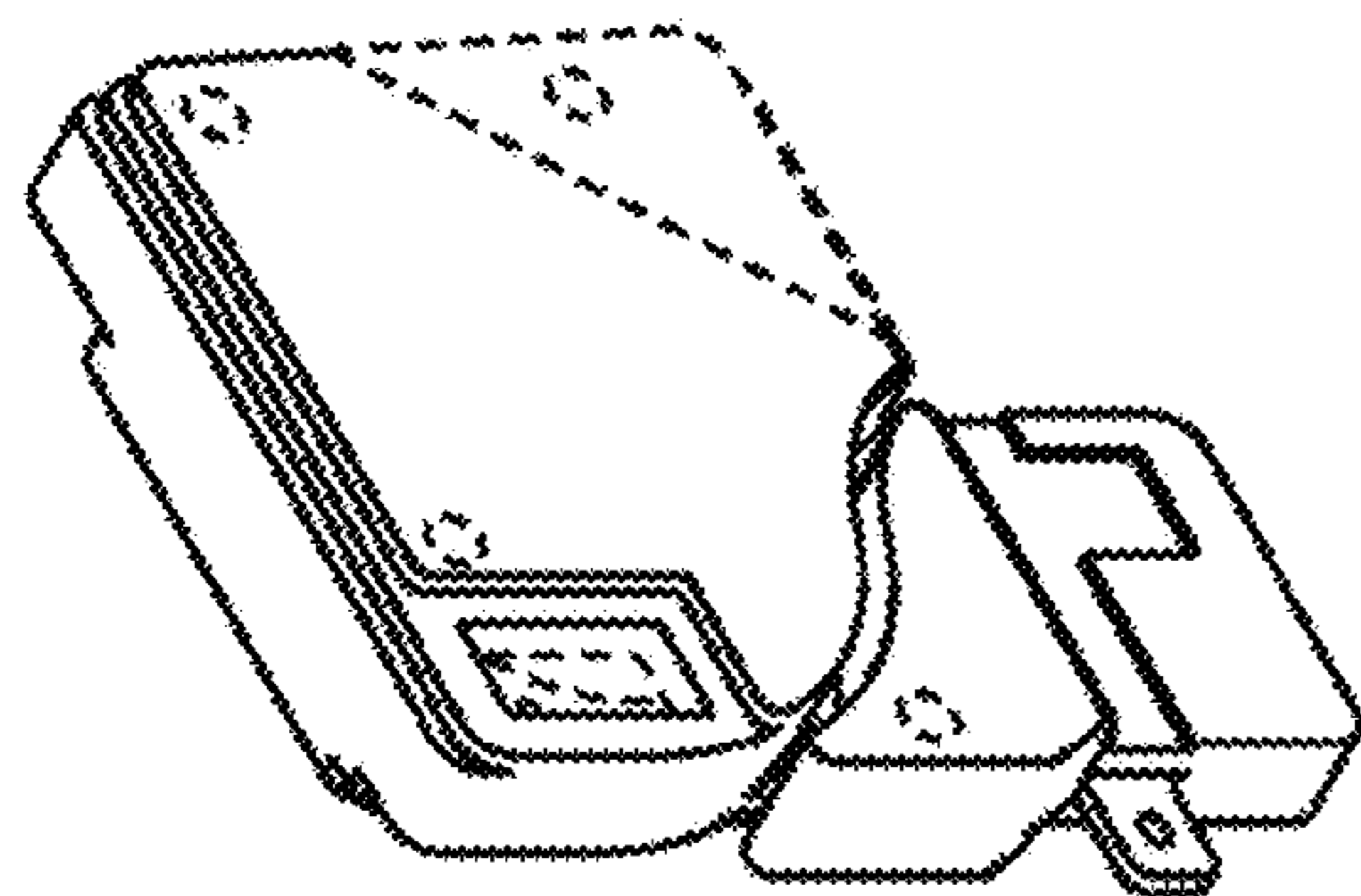
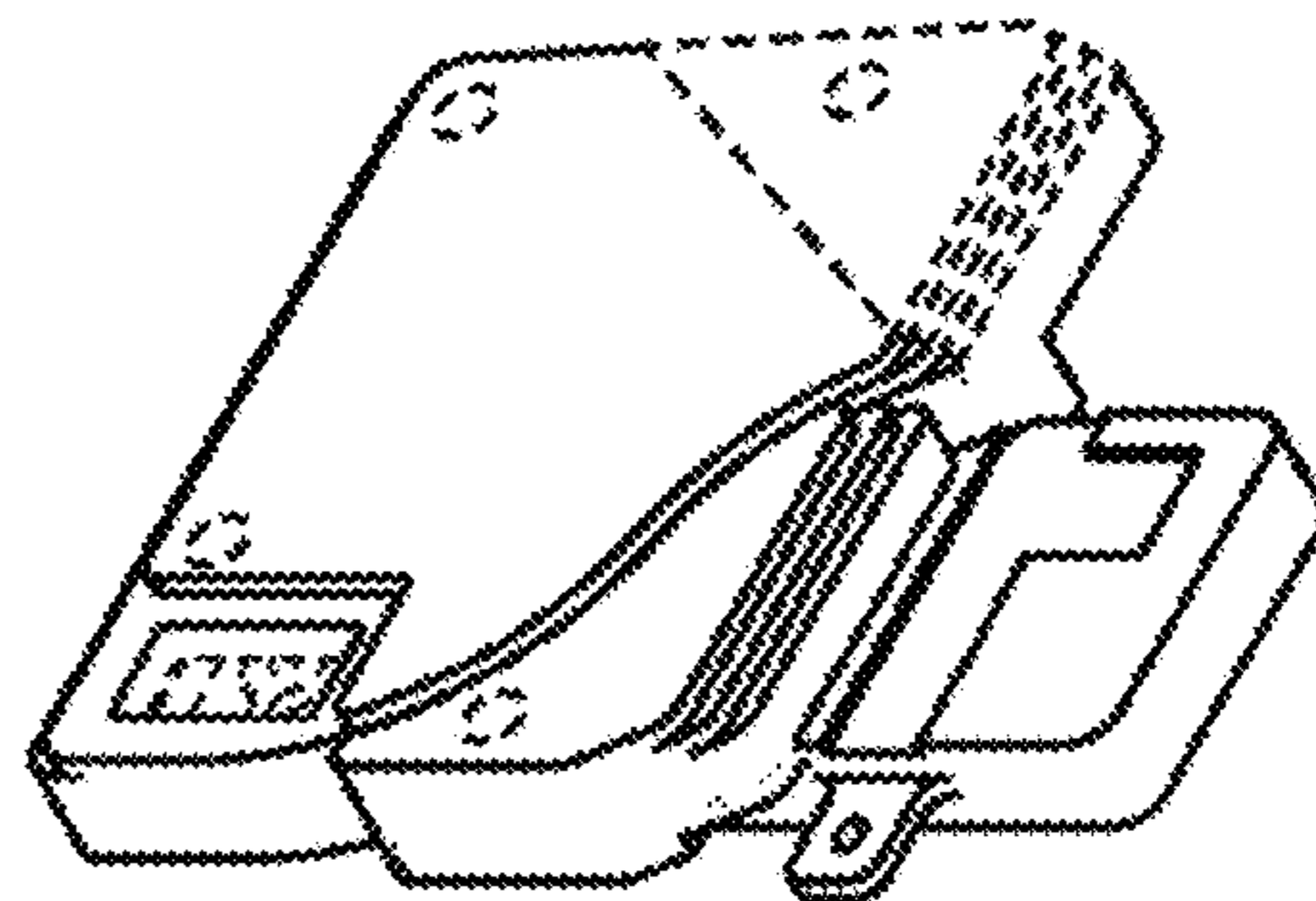


Fig. 8





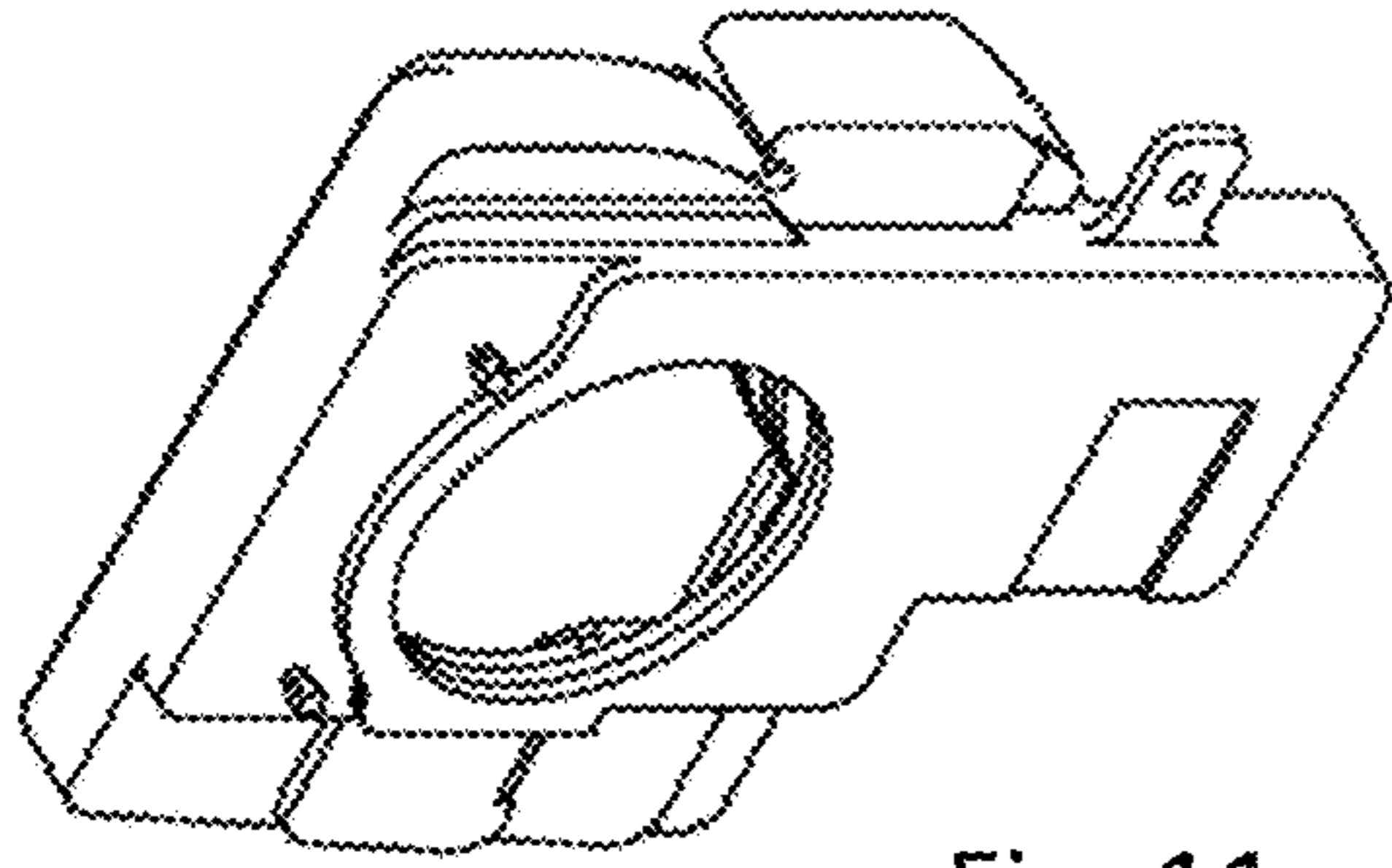


Fig. 11

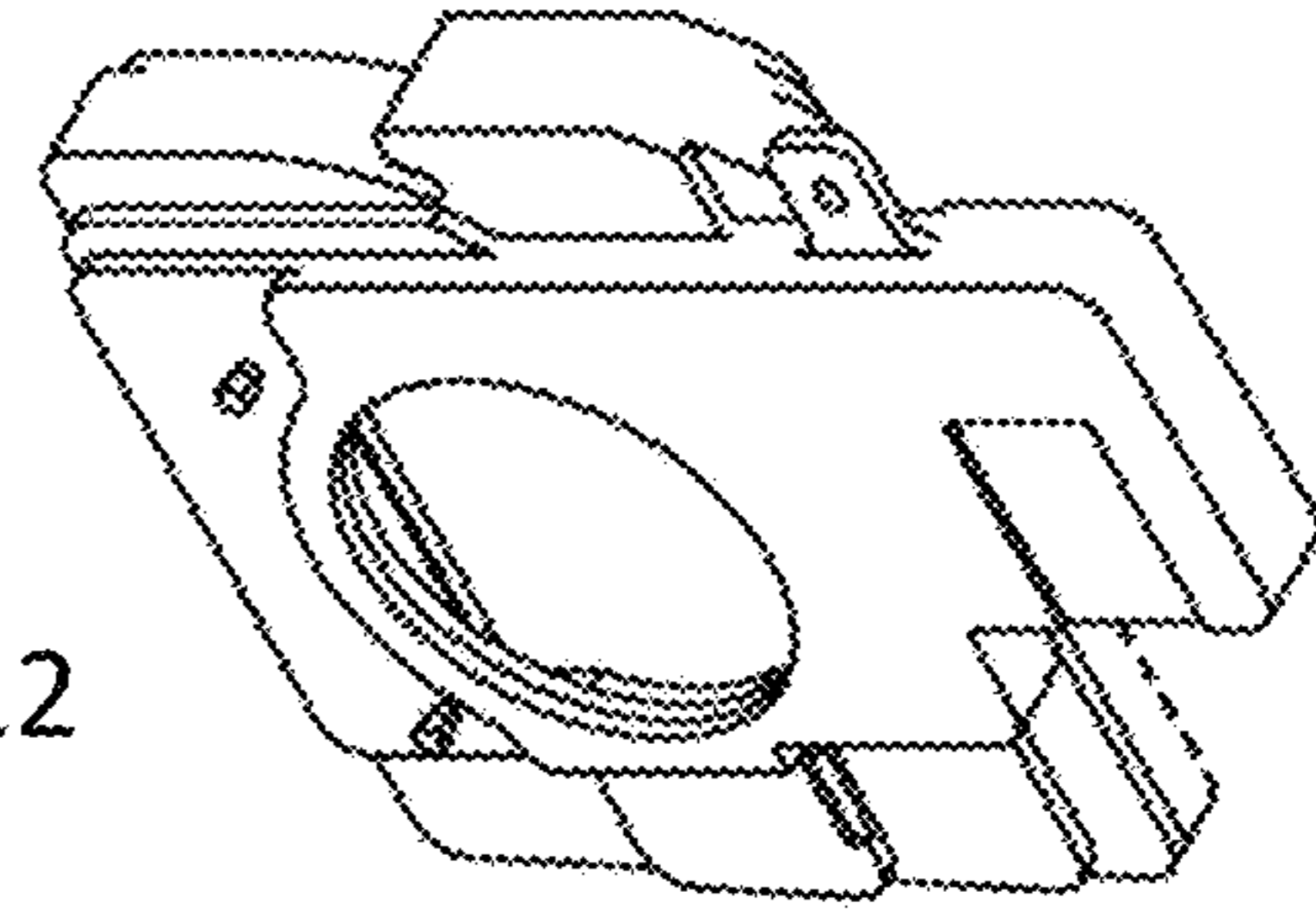


Fig. 12

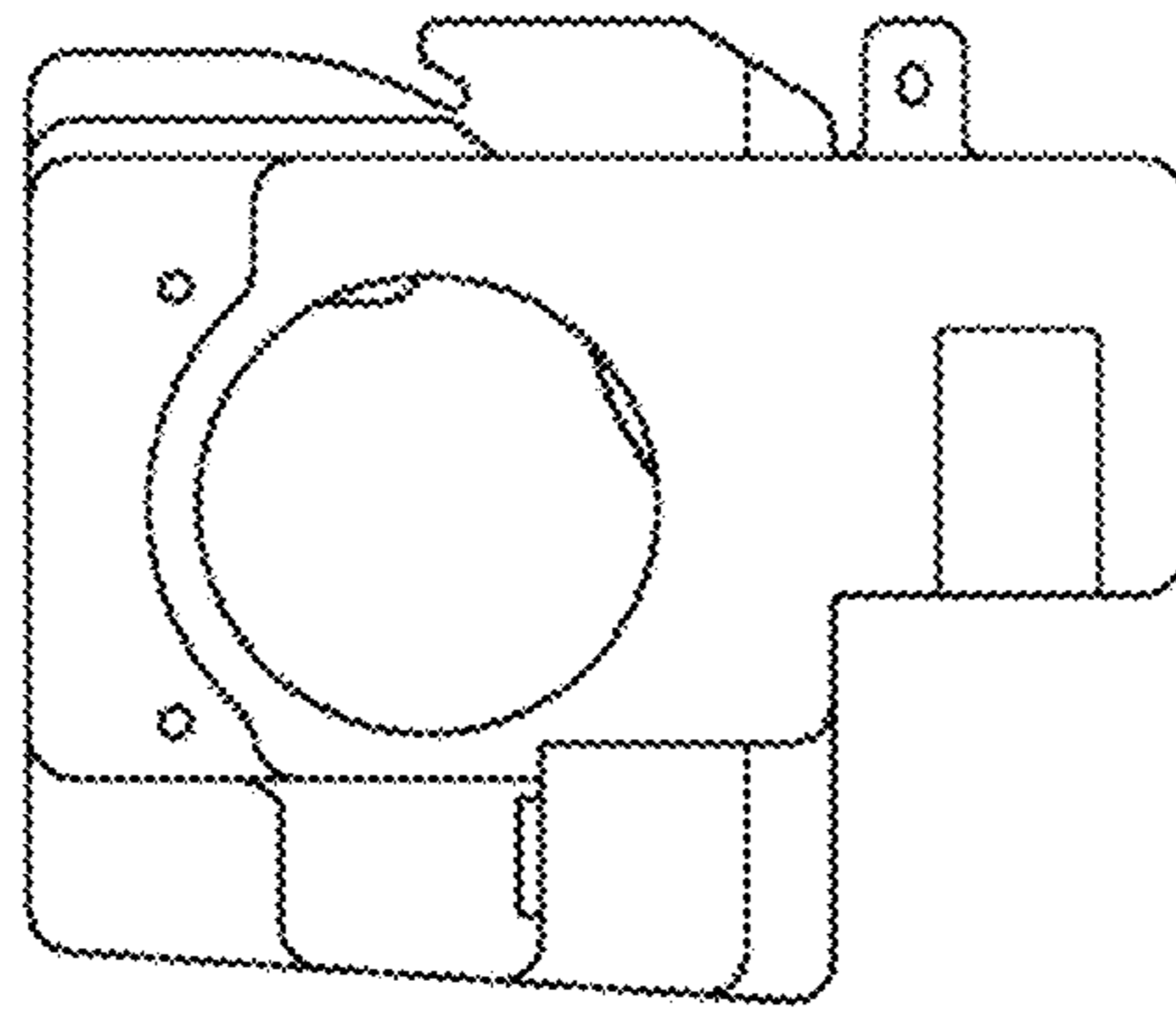


Fig. 10

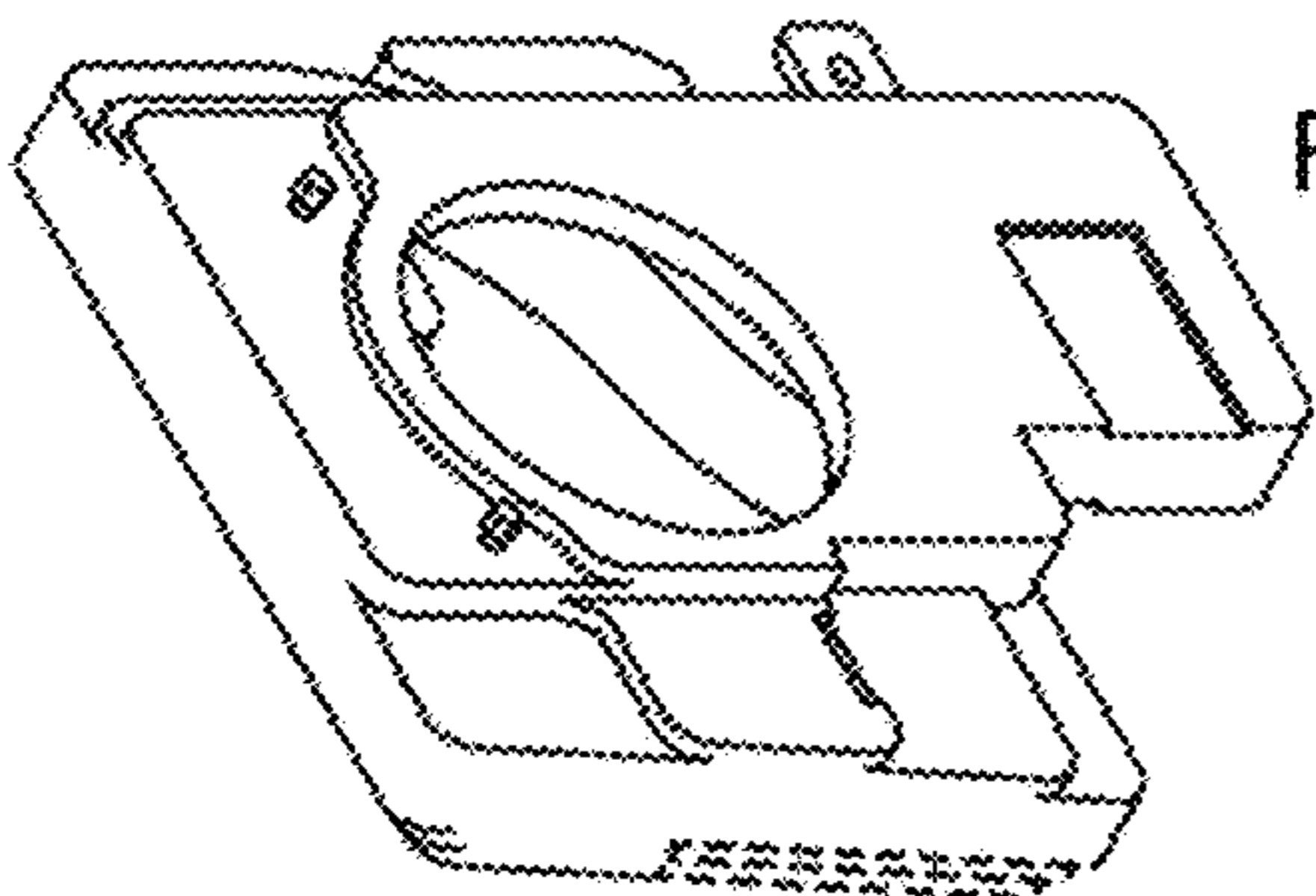


Fig. 14

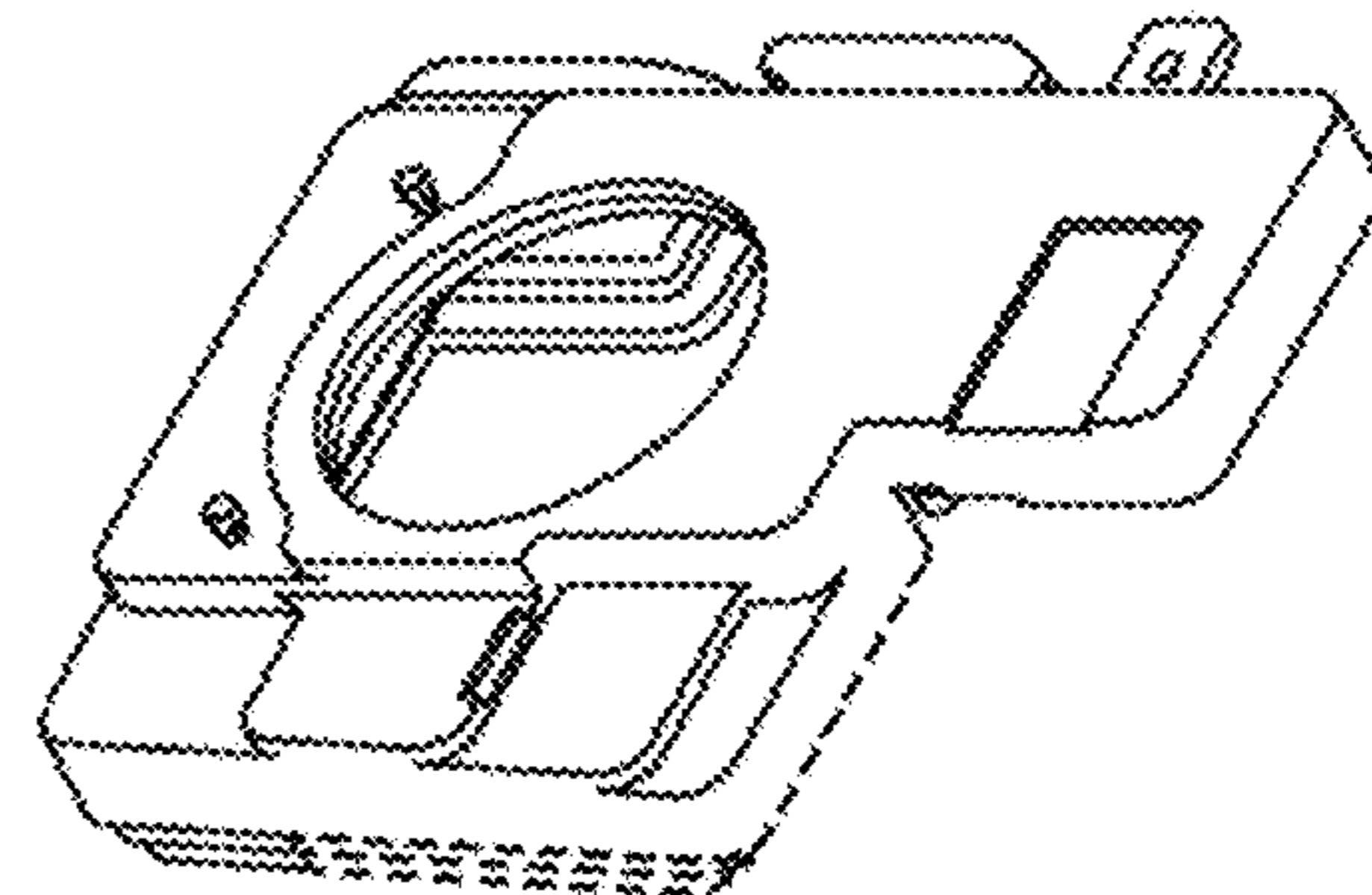


Fig. 13