



US00D905658S

(12) **United States Design Patent**
Levine

(10) **Patent No.:** **US D905,658 S**

(45) **Date of Patent:** **** Dec. 22, 2020**

(54) **ADJUSTMENT PORTION OF A HEADPHONE DEVICE**

(71) Applicant: **New Audio LLC**, New York, NY (US)

(72) Inventor: **Jonathan E. Levine**, New York, NY (US)

(73) Assignee: **New Audio, LLC**, New York, NY (US)

(**) Term: **15 Years**

(21) Appl. No.: **29/695,994**

(22) Filed: **Jun. 24, 2019**

Related U.S. Application Data

(63) Continuation of application No. 29/636,718, filed on Feb. 9, 2018, now Pat. No. Des. 857,654, which is a continuation of application No. 29/583,762, filed on Nov. 8, 2016, now Pat. No. Des. 812,588, which is a continuation of application No. 29/532,834, filed on Jul. 10, 2015, now Pat. No. Des. 772,841, which is a continuation of application No. 29/481,794, filed on Feb. 10, 2014, now Pat. No. Des. 736,174.

(51) **LOC (12) Cl.** **14-01**

(52) **U.S. Cl.**
USPC **D14/205**

(58) **Field of Classification Search**

USPC D14/205, 206, 188, 192, 203.5;
D29/112; 2/209, 8.1, 339, 322;
24/163 R, 170, 604, 606, 614, 619, 320,
24/194, 593.11, DIG. 47, 71.1; 379/430,
379/455; 381/380, 381, 183, 379, 378,
381/374, 371; 211/184; 224/275
CPC H04R 1/1066; H04R 1/1016; H04R 5/033;
H04R 5/0335; H04R 25/00; H04R 1/105;
H04R 1/1075; H04R 1/1008

See application file for complete search history.

(56) **References Cited**

U.S. PATENT DOCUMENTS

1,127,161	A *	2/1915	Baldwin	H04R 5/0335	381/379
1,483,315	A	2/1924	Saal			
1,648,832	A	11/1927	Urban			
1,651,623	A	12/1927	Obergfell			
1,714,377	A *	5/1929	Kiernan	H04R 1/10	381/378
2,010,612	A *	8/1935	Stafford	A44B 11/24	2/322
2,140,132	A *	12/1938	Hollett	B60D 1/025	280/492
2,235,372	A *	3/1941	Kalbitz	H04R 1/1066	381/371
2,486,267	A *	10/1949	Dulinsky	H04R 5/0335	381/377

(Continued)

FOREIGN PATENT DOCUMENTS

JP 2015026948 A 2/2015

Primary Examiner — Paula Allen Greene

(74) *Attorney, Agent, or Firm* — Holzer Patel Drennan

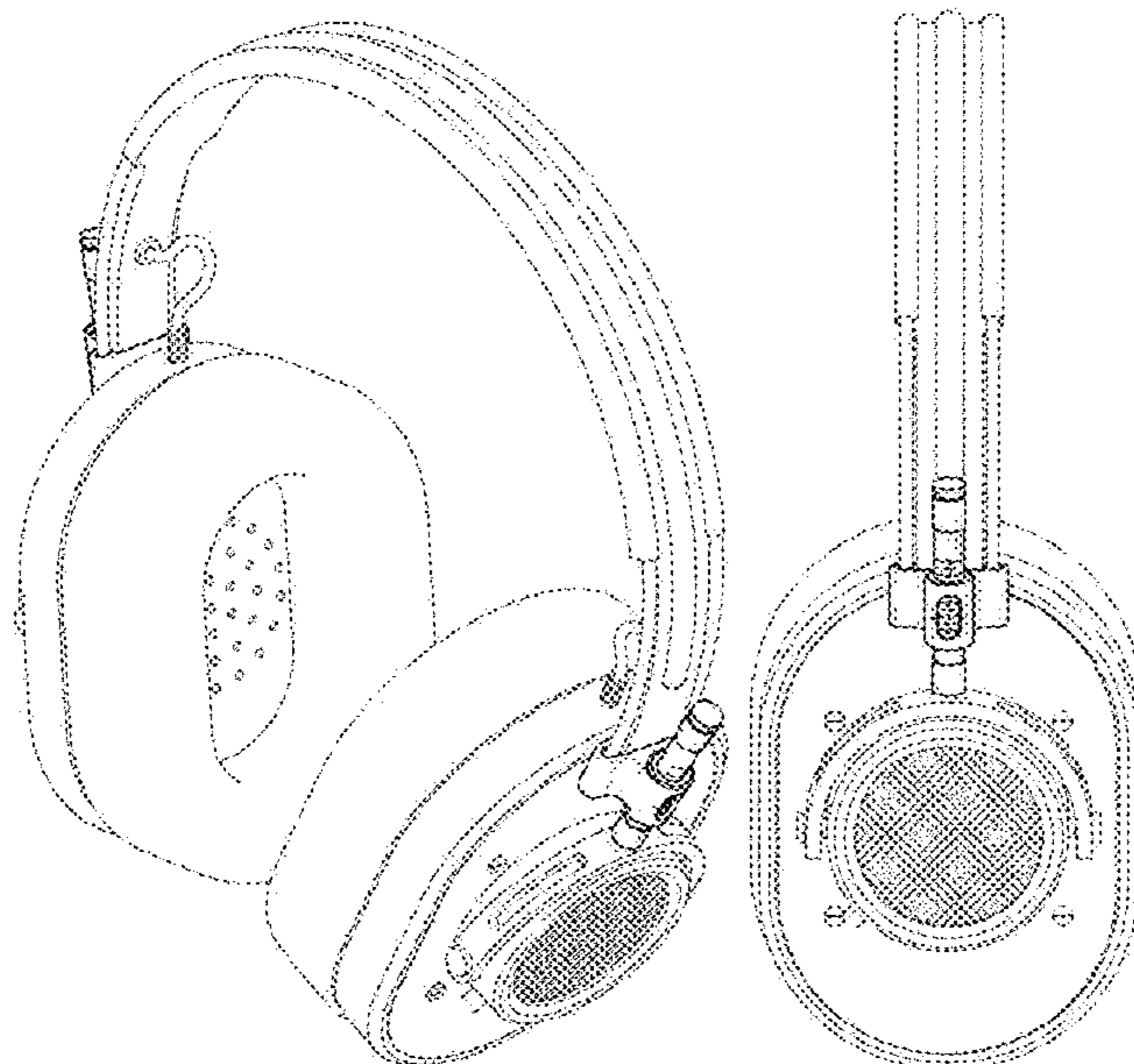
(57) **CLAIM**

The ornamental design for an adjustment portion of a headphone device, as shown and described.

DESCRIPTION

FIG. 1 is a perspective view of an adjustment portion of a headphone device showing my new design.
FIG. 2 is a front elevational view thereof.
FIG. 3 is a back elevational view thereof.
FIG. 4 is a first side elevational view thereof.
FIG. 5 is a second side elevational view thereof.
FIG. 6 is a top plan view thereof; and,
FIG. 7 is a bottom plan view thereof.
The broken lines depict environment that forms no part of the claimed design.

1 Claim, 5 Drawing Sheets



(56)

References Cited

U.S. PATENT DOCUMENTS

2,497,007 A *	2/1950	Melidoni	F16G 11/12	D639,776 S	6/2011	Arimoto	
			24/71.1	D652,021 S	1/2012	Miyawaki	
2,503,432 A *	4/1950	Bowers	A42B 3/145	D652,022 S	1/2012	Miyawaki	
			600/242	8,098,872 B2	1/2012	Chang	
2,511,234 A *	6/1950	Anderson	A42B 3/145	D657,344 S	4/2012	Brunner	
			2/8.1	D662,080 S	6/2012	Carr	
2,652,457 A *	9/1953	Knowles	H04M 1/05	8,213,644 B2	7/2012	Choi	
			381/151	D666,579 S	9/2012	Hou	
2,747,191 A *	5/1956	Hoffmaster	A61F 9/06	8,325,962 B2	12/2012	Ishida et al.	
			2/8.1	D677,243 S	3/2013	Kitayama	
2,782,423 A *	2/1957	Simon	A61F 11/14	D680,999 S	4/2013	Chan	
			2/209	8,737,668 B1	5/2014	Blair et al.	
2,858,544 A	11/1958	Roth		D706,241 S	6/2014	Szymanski	
2,946,860 A *	7/1960	Jansen	H04R 1/1008	8,755,555 B2	6/2014	Dougherty	
			181/129	D712,872 S	9/2014	Yuen	
3,073,410 A	1/1963	Gongoll		D721,052 S	1/2015	Carr	
3,183,565 A *	5/1965	Schwarz	F16G 11/12	D727,280 S *	4/2015	Levine	D14/205
			24/71.1	D727,281 S *	4/2015	Levine	D14/205
3,440,663 A	4/1969	Beguín		D728,512 S	5/2015	Nakagawa	
3,454,964 A	7/1969	Brinkhoff		D729,194 S	5/2015	Boeckel et al.	
3,488,457 A	1/1970	Lahti		D736,174 S *	8/2015	Levine	D14/205
3,505,684 A	4/1970	Hutchinson		D736,175 S	8/2015	Levine	
3,562,816 A	2/1971	Hutchinson		D737,799 S	9/2015	Carr	
3,579,640 A	5/1971	Beguín		D741,842 S	10/2015	Levine	
3,593,341 A	7/1971	Aileo		D746,790 S	1/2016	Strasberg	
3,815,155 A	6/1974	Davison		D762,190 S	7/2016	Levine	
3,908,200 A *	9/1975	Lundin	A61F 11/14	D762,191 S	7/2016	Levine	
			2/209	D765,055 S	8/2016	Hsieh	
3,922,725 A	12/1975	Csiki et al.		D768,110 S	10/2016	Suzuki	
3,984,885 A	10/1976	Yoshimura		D772,841 S	11/2016	Levine	
D244,301 S	5/1977	Besasio		D780,155 S	2/2017	Levine et al.	
4,274,181 A *	6/1981	Schaller	G10G 5/005	D781,265 S	3/2017	Levine et al.	
			224/257	D781,814 S	3/2017	Levine	
4,309,575 A *	1/1982	Zweig	H04R 1/1066	D782,995 S	4/2017	Matthews	
			381/151	D789,327 S	6/2017	Miyake	
4,437,538 A	3/1984	Ohlsson		D792,376 S	7/2017	Morimoto	
4,439,645 A	3/1984	Scalzo		D795,218 S	8/2017	Ohmachi	
4,472,607 A *	9/1984	Houng	H04M 1/05	9,729,954 B2	8/2017	Levine et al.	
			181/18	D805,056 S *	12/2017	Levine	D14/205
4,727,585 A *	2/1988	Flygstad	H04R 5/0335	D810,055 S	2/2018	Levine	
			2/209	D812,588 S	3/2018	Levine	
4,747,145 A *	5/1988	Wiegel	H04M 1/05	D820,810 S	6/2018	Levine et al.	
			381/378	D832,811 S	11/2018	Levine et al.	
4,829,571 A *	5/1989	Kakiuchi	H04R 1/1033	D832,813 S	11/2018	Levine et al.	
			381/309	D852,166 S *	6/2019	Levine	D14/205
5,035,005 A	7/1991	Hung		D857,652 S *	8/2019	Wang	D14/205
5,293,647 A *	3/1994	Mirmilshsteyn	H04R 1/10	D857,654 S *	8/2019	Levine	D14/205
			2/209	D878,329 S *	3/2020	Levine	D14/205
5,438,626 A	8/1995	Neuman et al.		D882,544 S *	4/2020	Paterson	D14/205
5,499,985 A *	3/1996	Hein	A61B 17/162	10,743,106 B2 *	8/2020	Daley	H04R 1/105
			24/573.11	2003/0210801 A1	11/2003	Naksen et al.	
D410,466 S	6/1999	Mouri et al.		2004/0216946 A1	11/2004	Lenhard-Backhaus	
D432,522 S	10/2000	Kieltyka		2005/0105755 A1	5/2005	Yueh	
6,201,877 B1 *	3/2001	Chang	H04R 1/08	2005/0266875 A1	12/2005	Yegin et al.	
			381/364	2007/0223766 A1	9/2007	Davis et al.	
6,263,085 B1	7/2001	Weller		2008/0056525 A1	3/2008	Fujiwara et al.	
6,392,196 B1	5/2002	Lin		2010/0177907 A1	7/2010	Morisawa	
6,427,018 B1 *	7/2002	Keliiliki	H04R 1/1066	2012/0070028 A1	3/2012	Margulies	
			381/381	2012/0093334 A1	4/2012	Schreuder et al.	
7,251,335 B1 *	7/2007	Chen	H04R 1/1083	2016/0079660 A1	3/2016	Bevelacqua	
			381/384	2016/0205461 A1	7/2016	Fernandez-Medina et al.	
D613,266 S *	4/2010	Barry	D14/205	2017/0041696 A1	2/2017	Levine et al.	
D620,474 S	7/2010	Komiyama		2017/0041697 A1	2/2017	Levine	
D633,895 S *	3/2011	Morimoto	D14/205	2017/0134845 A1	5/2017	Milam et al.	
D635,958 S *	4/2011	Ando	D14/205	2017/0265420 A1	9/2017	Carlson	
				2017/0339479 A1	11/2017	Levine	
				2018/0020277 A1	1/2018	Briggs	
				2018/0020278 A1	1/2018	Levine et al.	

* cited by examiner

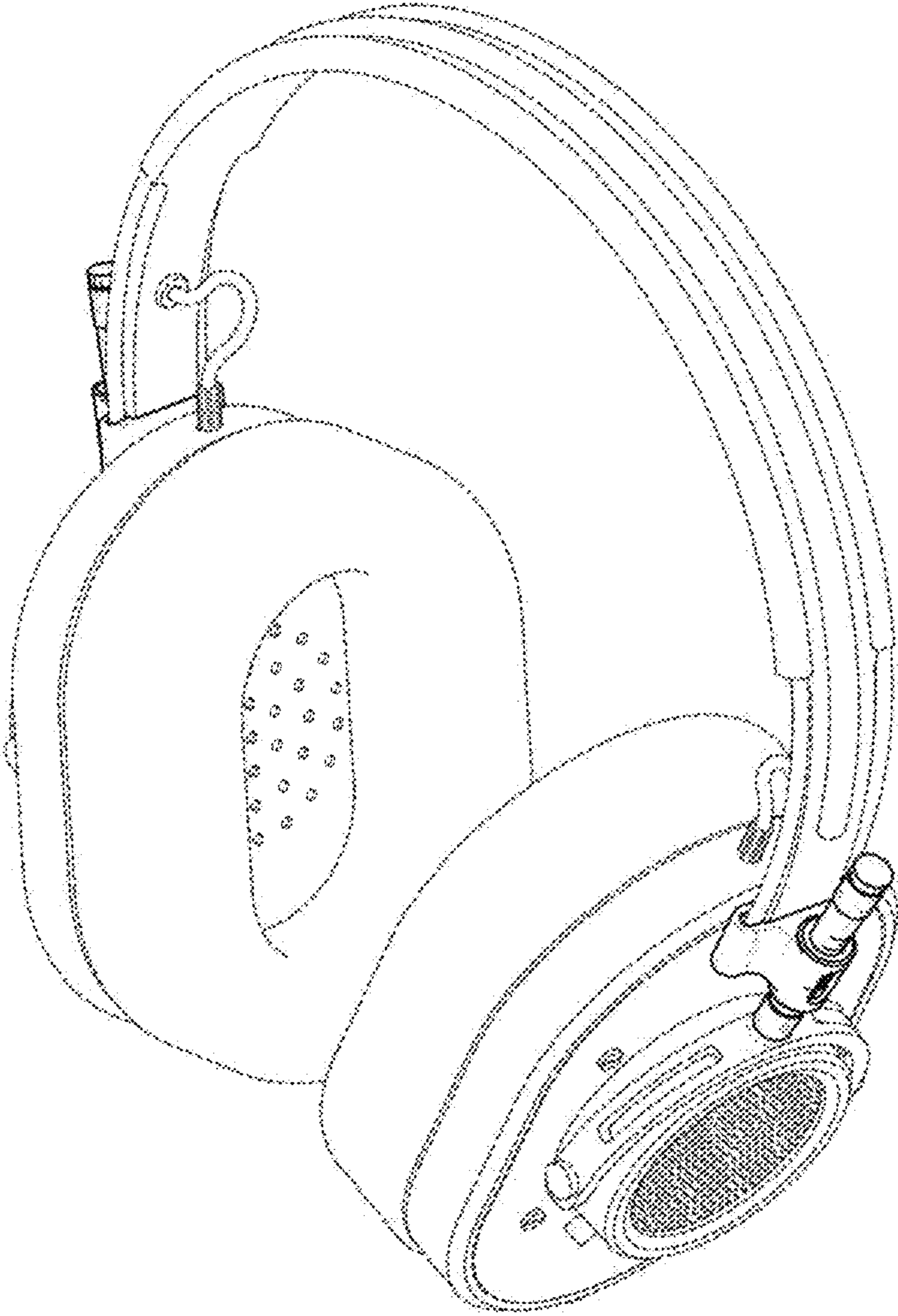


Fig. 1



Fig. 2

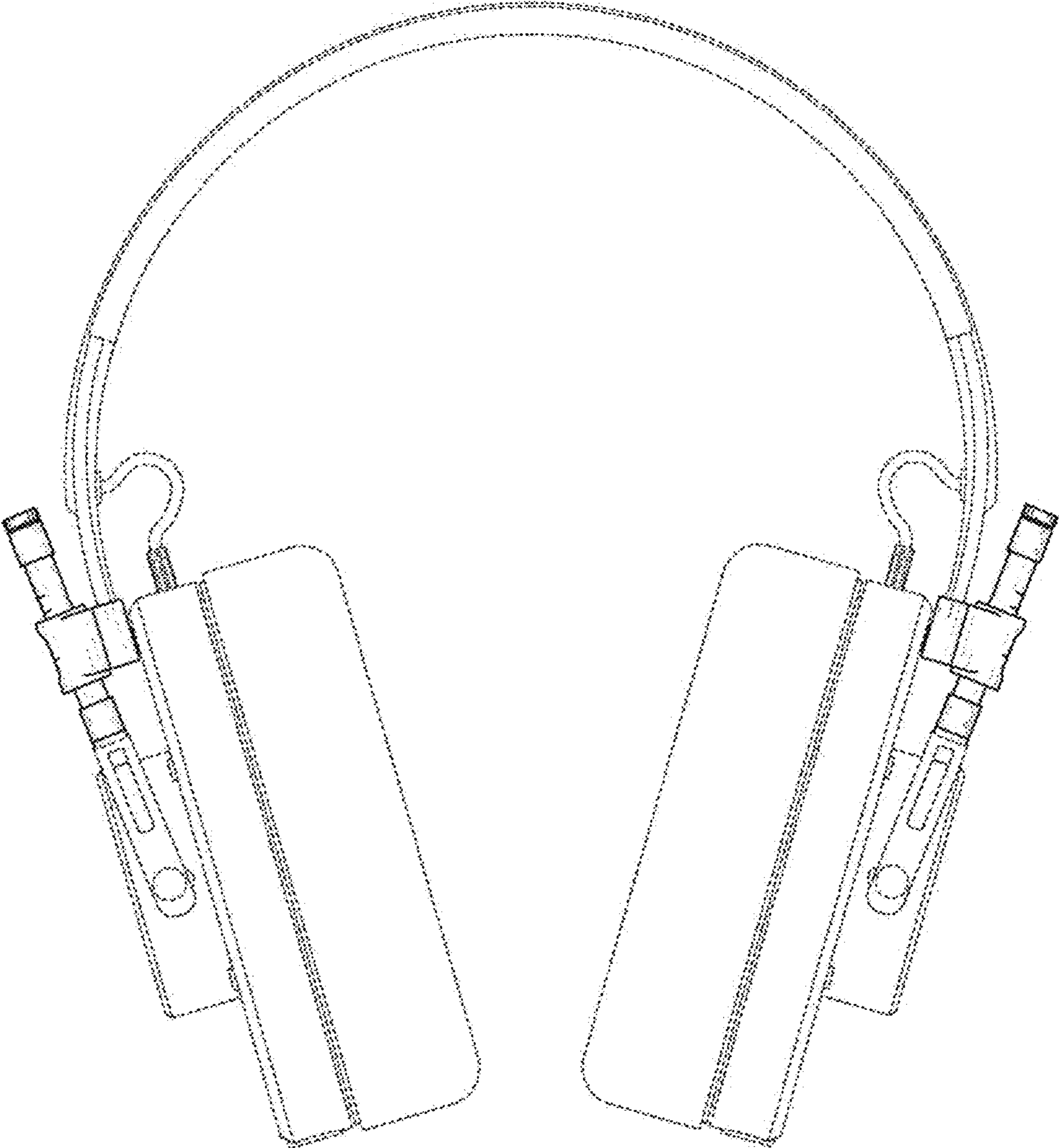


Fig. 3

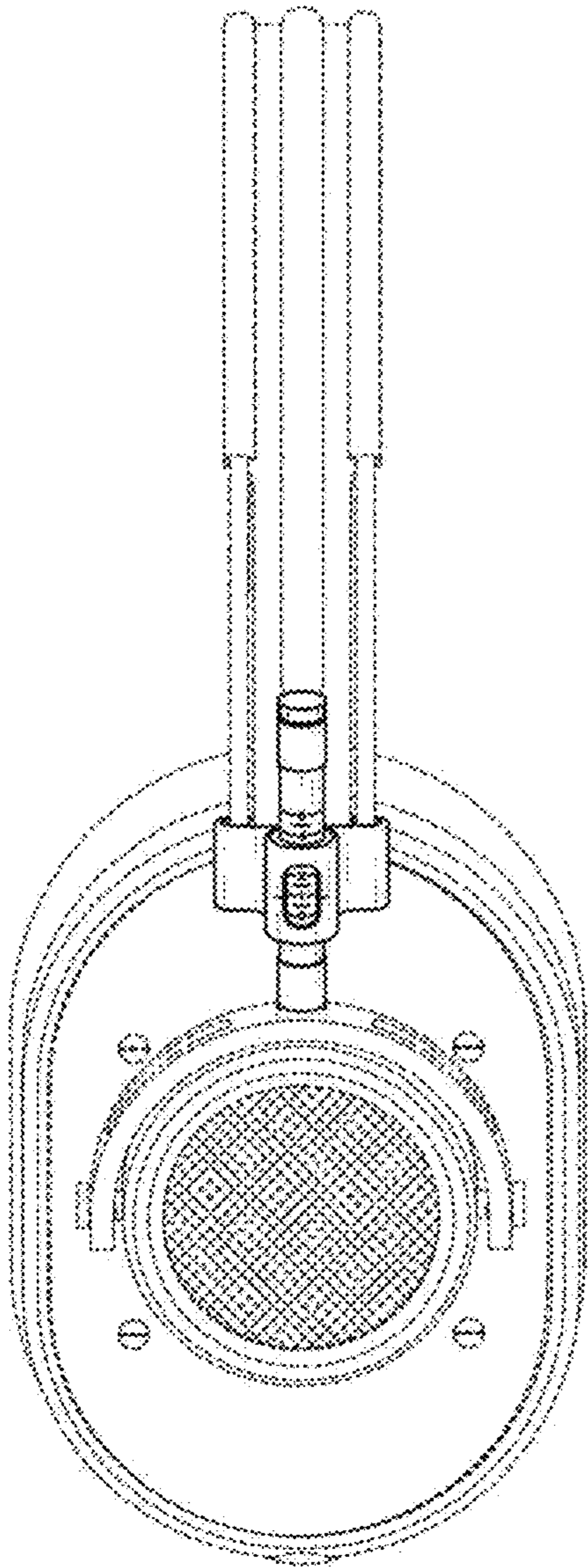


Fig. 4

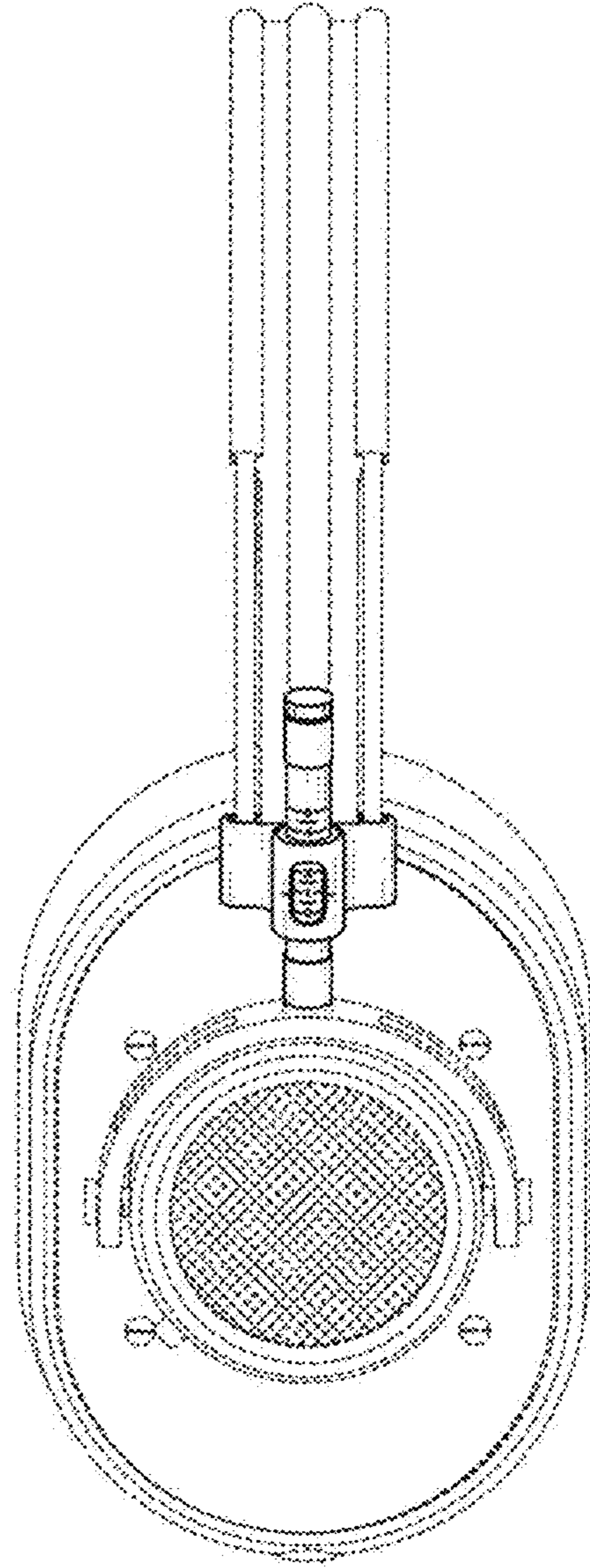


Fig. 5

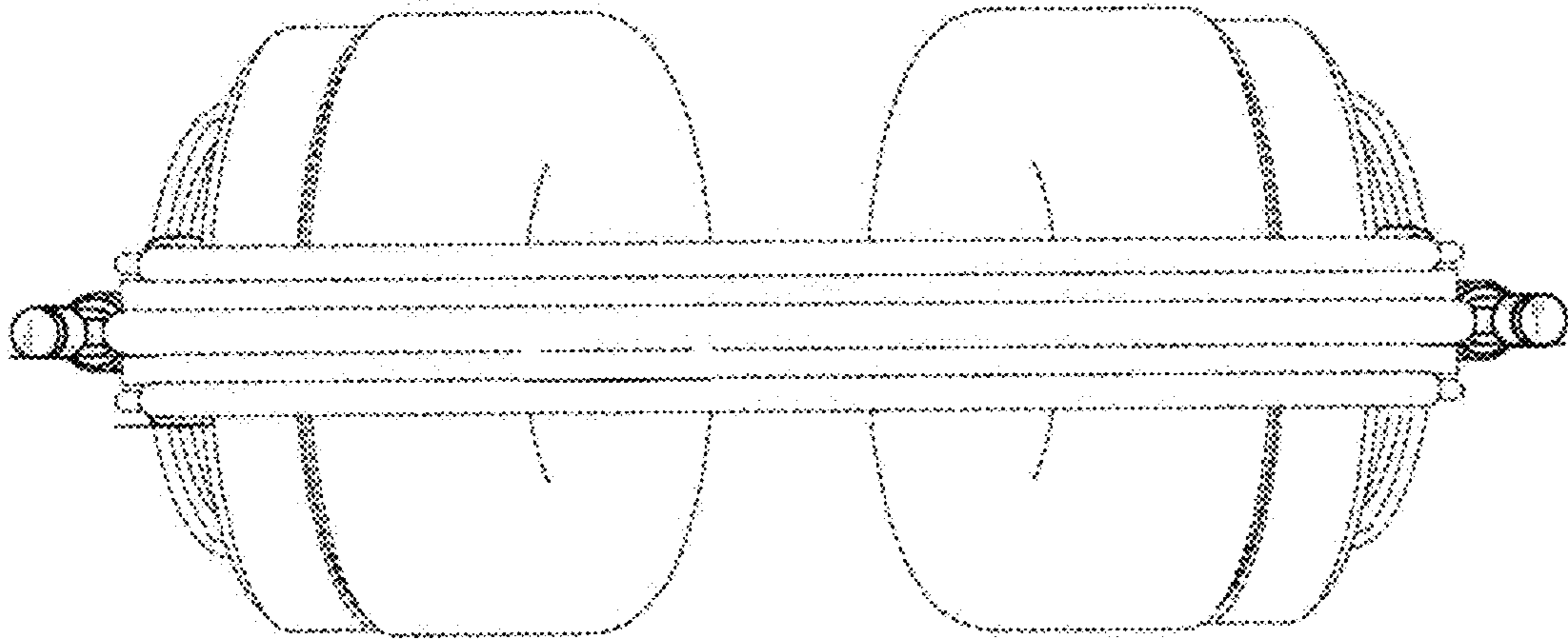


Fig. 6

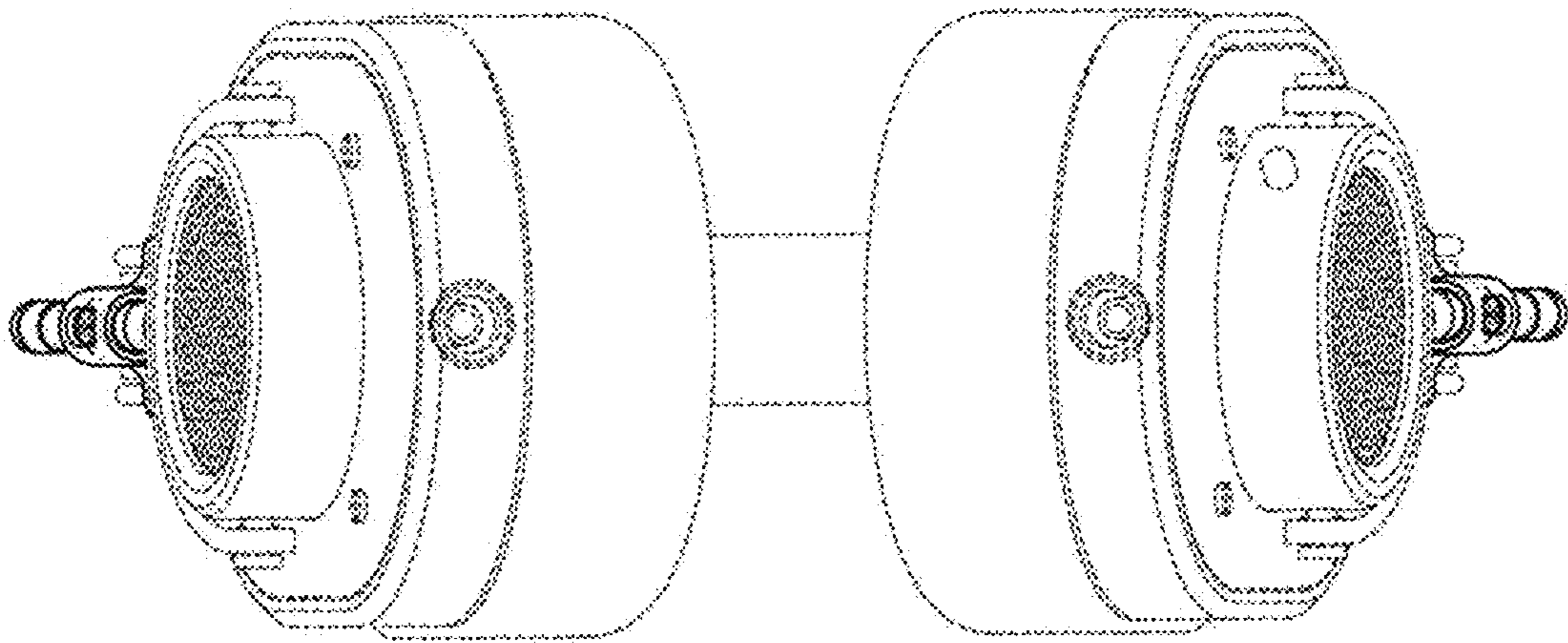


Fig. 7